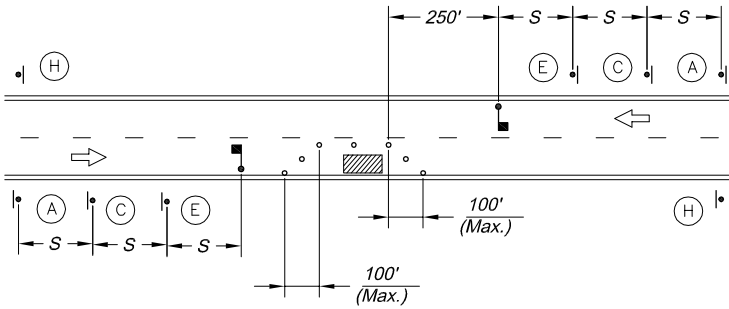
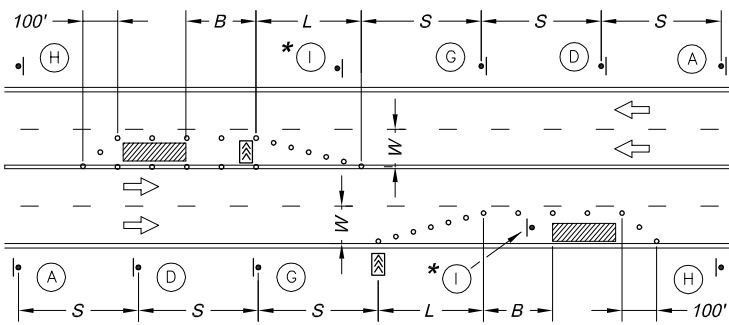


SYMBOL LEGEND

- Work Area
- Channelizer
- Sign
- Arrow Panel
- Barricade
- Flagger
- Direction of Travel

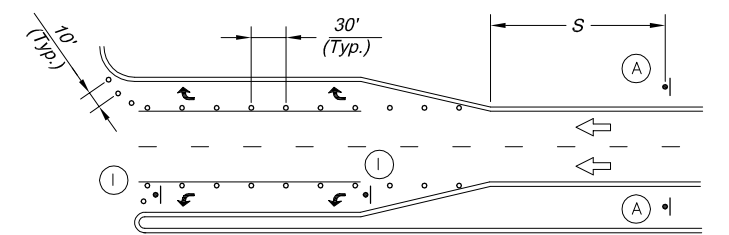


LANE CLOSURE - TWO LANE STREET



LANE CLOSURE - FOUR LANE STREET

* Install Signs Every 200 Feet Throughout the Closed Lane or As Needed



TURN LANE CLOSURE

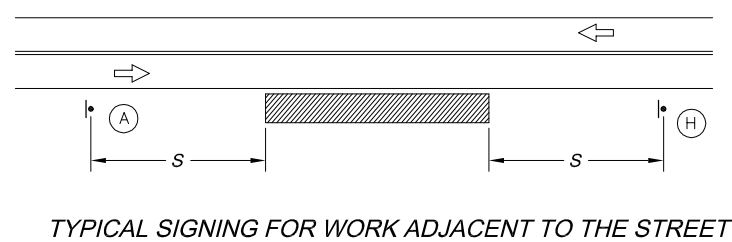
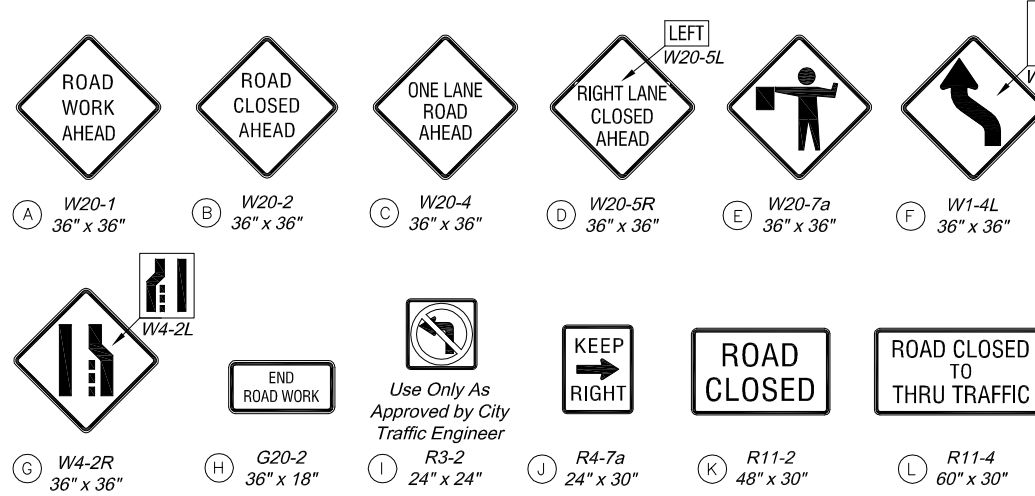
Sign Spacing "S"	
Speed Limit (mph)	Spacing (Feet)
25	100
30 - 35	250
≥ 40	350

Taper Dimensions (Feet)				
Speed Limit (mph)	Minimum Taper Length "L", per Lane Width "W"			Minimum Number of Channelizers
	10	11	12	
25	105	115	125	6
30	150	165	180	7
35	205	225	245	8
40	270	295	320	9
45	450	495	540	13

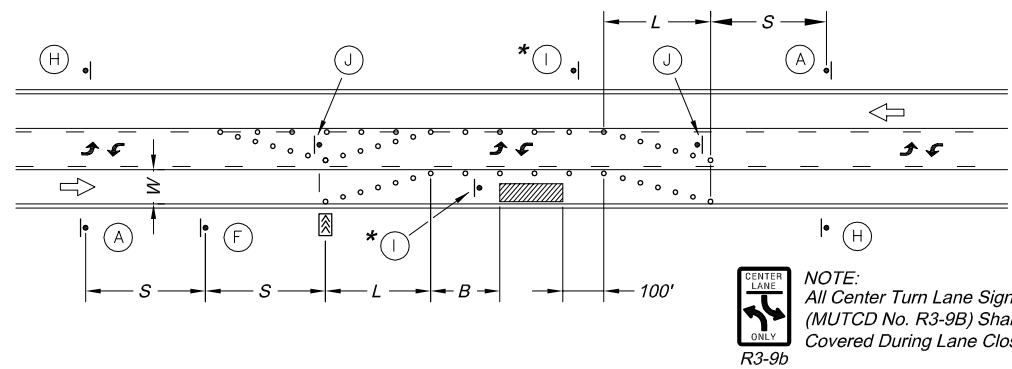
Guidelines for Length of Longitudinal Buffer Space "B"	
Speed Limit (mph)	Length (Feet)
25	35
30	55
35	85
40	120
45	170

Maximum Channelizer Spacing		
Speed Limit (mph)	Within Taper (Feet)	Outside Taper (Feet)
	25	25
30	30	60
35	35	70
40	40	80
45	45	90

SIGN LEGEND

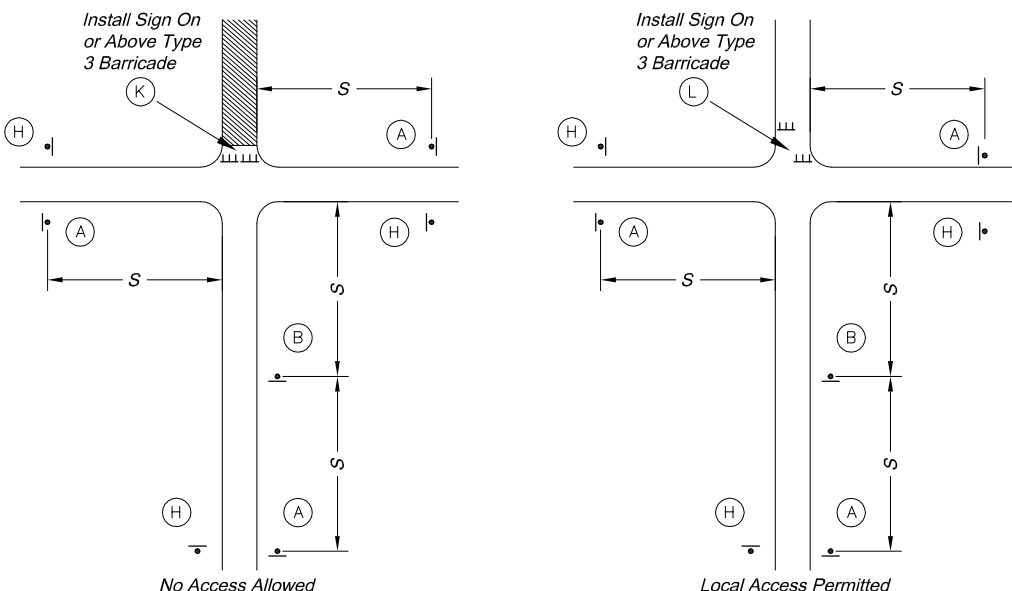


TYPICAL SIGNING FOR WORK ADJACENT TO THE STREET



LANE CLOSURE - THREE LANE STREET

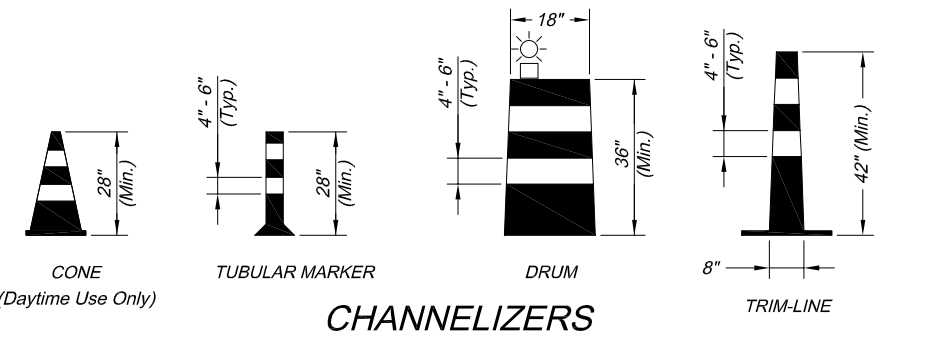
* Install Signs Every 200 Feet Throughout the Closed Lane or As Needed



TYPICAL STREET CLOSURE

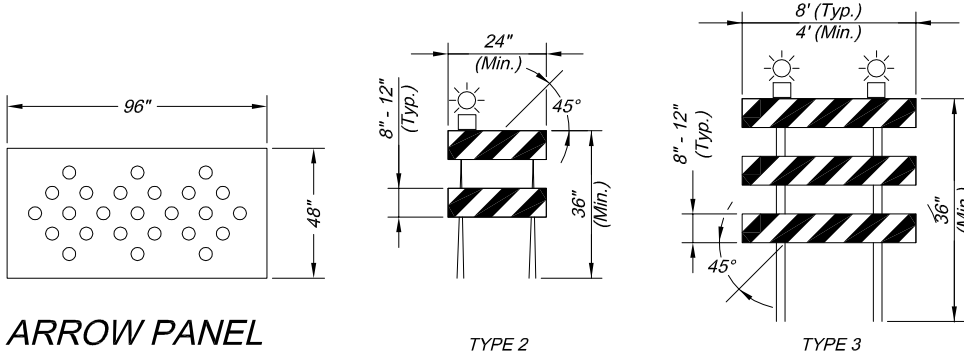
GENERAL NOTES:

- All signs, barricades, channelizers, markings and other traffic control devices shall conform to the latest edition of the Manual on Uniform Traffic Control Devices (MUTCD).
- All traffic control devices shall be standard in size, shape, color, and message, in good condition, and retro-reflectORIZED. All signs shall be securely mounted with height and lateral location as described in the MUTCD.
- Warning lights shall be used on barricades in place at night and on warning signs which alert drivers about a change in alignment, traffic control, lane closure, or road closure.
- Flaggers shall be used where indicated on the plans, where construction vehicles interact with normal traffic, or where construction activities impose a restriction on traffic, as directed by the City Traffic Engineer. Where flaggers are used, advance signing shall be erected as shown in the details or as specified in the MUTCD. Flaggers shall meet the requirements in the MUTCD in regard to character, training, attire, and behavior.
- Trim-lines are the City's preferred channelizing device. Cones may not be used at nighttime.
- Traffic control devices not in use or not applicable shall be either covered or removed from the work area.
- The Contractor shall use barricades, street plates, or fencing as needed to effectively shield pedestrian and vehicular traffic from exposed objects, excavations, and construction activities.
- Access shall be maintained to all driveways and side streets unless noted otherwise on the plans.
- No street shall be closed without the approval of the City Traffic Engineer. The Contractor shall notify the City Traffic Engineer at least 7 days in advance of any street closure. If a detour route around the closure is to be provided, all detour signing shall be as shown on a plan approved by the City Traffic Engineer.
- Construction vehicles parked along streets shall be located within the work area (traffic control) or where otherwise normally permitted. Construction materials, including traffic control and vehicles shall not restrict sight distance for vehicles exiting at streets or drives.
- Construction materials shall be kept off of sidewalks, consolidated in one location within City right-of-way, and removed daily unless otherwise approved by the Inspector. Dirt, mud, and other construction debris on streets and sidewalks shall be removed immediately.
- The Contractor shall not perform any work that will restrict vehicular traffic in any way between the hours of 7:00 a.m. and 9:00 a.m. or 4:00 p.m. and 6:00 p.m. Monday through Friday unless otherwise indicated in the specifications.
- All travel lanes should be at least 11 feet wide unless otherwise authorized by the City Traffic Engineer. A "Narrow Lanes" sign shall be installed in advance of a lane width reduction to less than 11 feet.
- All edge drop-offs of more than 2 inches and less than 4 inches should be protected by a wedge or barrier and all edge drop-offs greater than 4 inches shall have edge protection (see Traffic Control Specifications for edge treatment requirements).
- The "Workers" symbolic sign (MUTCD No. W21-1a) may be used instead of the "Road Work Ahead" sign for work with a duration of 12 hours or less. The "End Road Work" sign is not required to be installed after the "Workers" sign.
- No traffic signal shall be altered or modified in any way without a plan approved by the City Traffic Engineer.
- The Contractor shall be responsible for maintaining all traffic control devices on an around-the-clock basis, whether or not work is actively being pursued and any deficiencies noted shall be corrected immediately.
- The traffic control requirements shown on these plans are minimum requirements only and do not attempt to address in depth the variety of situations that may occur once construction has started. In no way do the requirements shown on these plans relieve the Contractor of his responsibility for selecting the proper traffic control devices and implementation procedures that will assure the safety of drivers, pedestrians, and workers at all times.
- Should the contractor fail to enforce the traffic control plan or fail to clean, replace or otherwise maintain the traffic control devices when directed to do so by the City Traffic Engineer or representative, the City may take one or more of the following actions:
 - Employ another agency to correct deficiencies in traffic control devices and deduct the cost from the Contractor's pay estimate,
 - Stop the work until deficiencies are corrected,
 - Suspend all pay estimates until deficiencies are corrected, or
 - Place the Contractor in default.



CHANNELIZERS

NOTE: White Bands On Barricades and Channelizers Shall Be Made From High Intensity Sheeting Material.



BARRICADES

ARROW PANEL

CITY OF LEE'S SUMMIT
PUBLIC WORKS DEPARTMENT
ENGINEERING DIVISION
220 SE GREEN STREET
LEE'S SUMMIT, MISSOURI 64063
PHONE: (816) 969-1800 FAX: (816) 969-1809



Project: **TRAFFIC CONTROL DETAILS**
Sheet Name: **STANDARD DRAWING TC-1**

Drawn By: JJW
Checked By: MP
Date: 12-10-2008
Project No.: X

x OF x
X