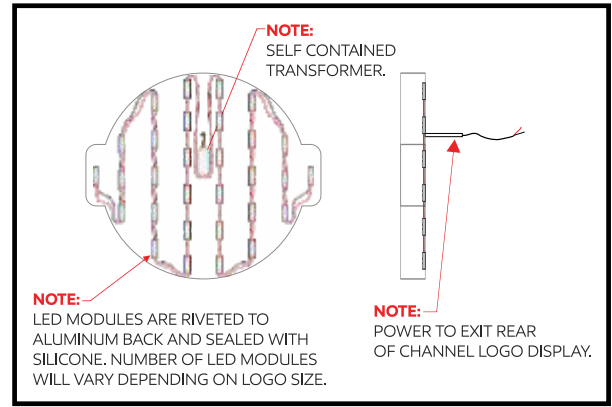
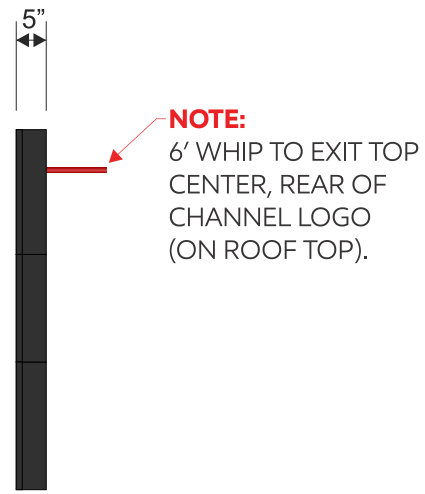


28.6 Sq. Ft.

NOTE: ALUM. RETAINERS. FACE OF RETAINERS ARE TO BE PAINTED WHITE AND RETURNS ARE TO BE PAINTED BLACK.



ILLUMINATED CHANNEL LOGO
SCALE: 3/8" = 1'-0"



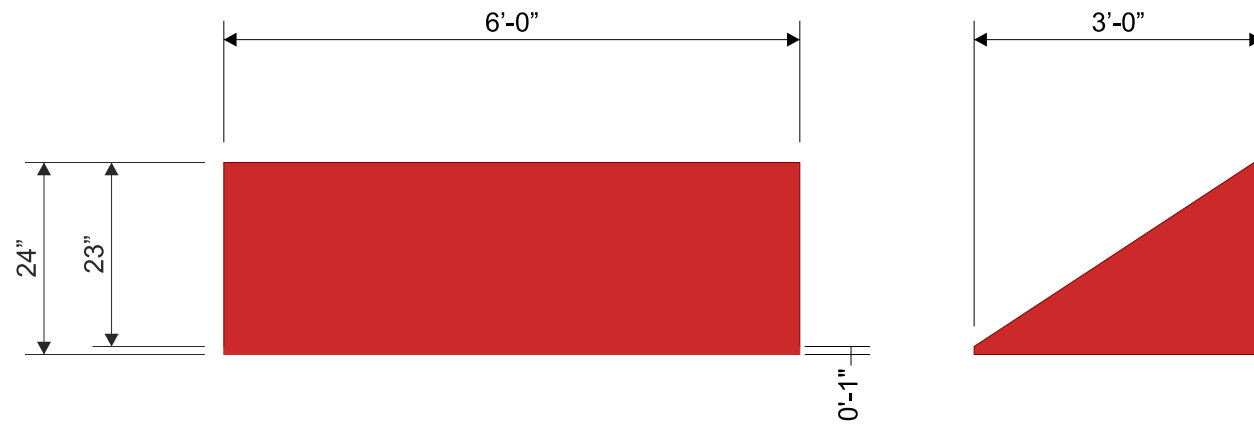
2 EXTERIOR ELEVATIONS
scale: 1/4" = 1'-0"

SCOOTER'S COFFEE DRIVE-THRU	
Illuminated Channel Logo	
RETURNS:	5 Inch Deep .050 Blk. Pre-Finished Aluminum
BACKS:	.063 White Pre-Finished Aluminum
FACES:	3/16 Inch White Acrylic
VINYL:	(as noted)
RETAINERS:	Alum. Ptd Two Tone: White Face - Black Return
ILLUMINATION:	White Hanley LED's

3M Series 230
TRANSLUCENT FILM

LT. TOMATO RED
230-43

BLACK
230-22



2 EXTERIOR ELEVATIONS
 scale: 1/4" = 1'-0"

SCOOTER'S COFFEE DRIVE-THRU
Awning Display

FRAME: 1"x 1" ALUM. Sq. TUBE FRAME (Painted Black)
SKIN: LOGO RED SUNBRELLA MATERIAL #6066-0000
GRAPHICS: (As Noted)

INSTALLATION:
 PANEL IS TO BE MOUNTED TO FASCIA USING PROPER HARDWARE AND FASTENERS (NON-CORROSIVE).
 14GA. Z-CLIPS - #12 SELF TAPPING TEKS - 3/16" 0 x 1 1/2" TAP CONS TO EXISTING FASCIA.

Omaha Neon Sign Co., Inc.
 1120 N 18th Street • Omaha 68102
 402.341.8077 • 402.341.7654 fax
 This design and all material appearing hereon constitute the original unpublished work of Omaha Neon Sign Co., Inc. and may not be duplicated, used or disclosed without written consent.

DRAWING # : 127141
PROJECT ID: 25441

SALES PERSON: andye nelson
DRAWN BY: wes stephens

DATE: 03.31.21
Revised:
DATE: 000000

INSPECTED BY:

SCOOTER'S COFFEE DRIVE-THRU
 707 NE Rice Rd
 LEE's Summit, MO

NOTICE:

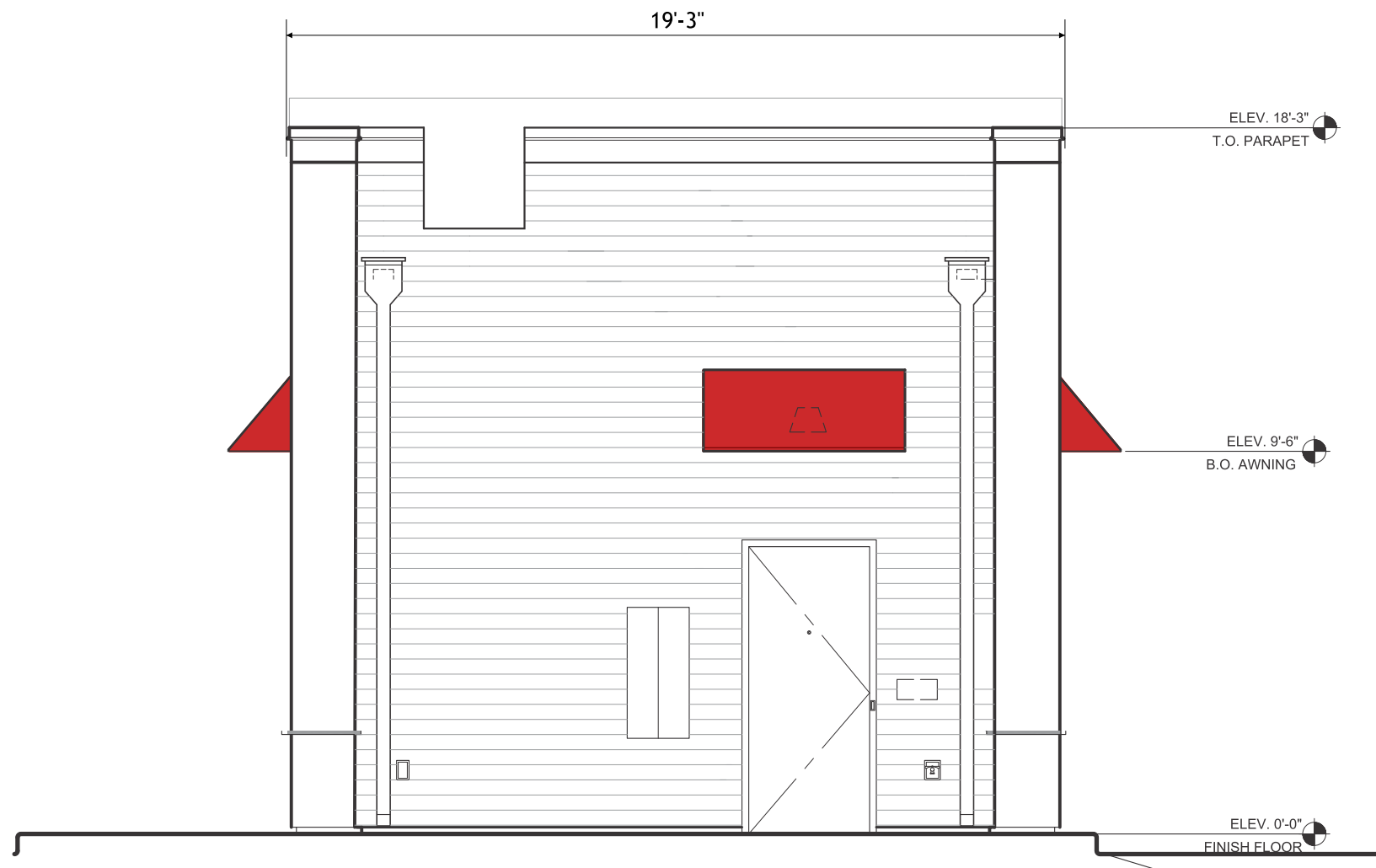
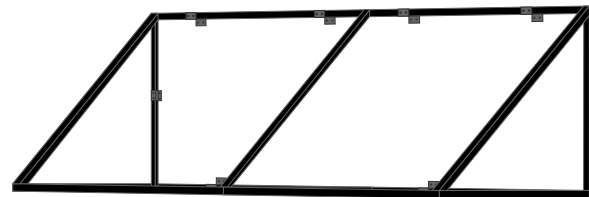
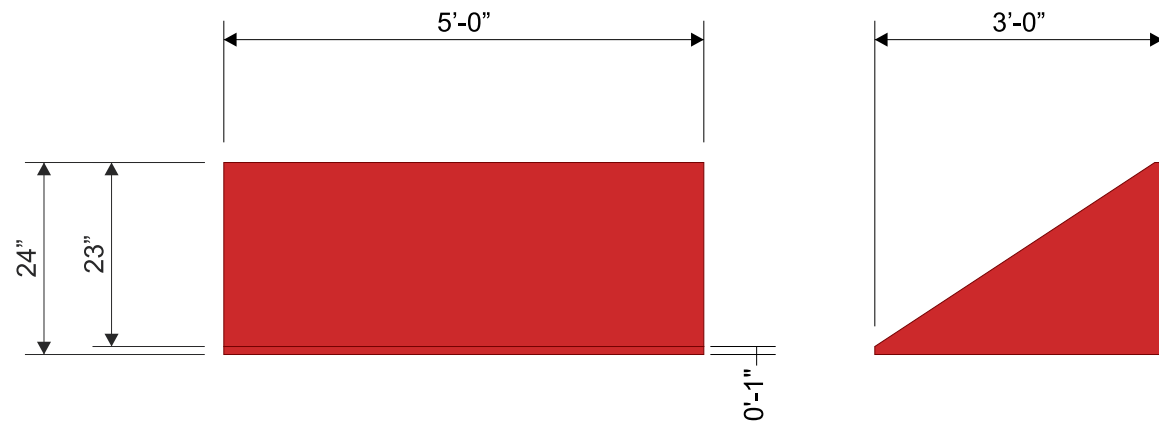
ALL GRAPHIC REPRODUCTIONS ARE SUBJECT TO APPROVAL BY AUTHORIZED CLIENT, AS OF APPROVAL BY THE UNDERSIGNED AND DATED PRIOR TO ANY FABRICATION OF PRODUCT. OMAHA NEON SIGN COMPANY, INC. HOLDS ALL AGREEMENTS FINAL AND TO CLIENT APPROVAL.

Signed _____ Date _____
 Sales Rep. _____ Date _____

This sign is intended to be installed in accordance with the requirements of Article 600 of the National Electric Code and/or other applicable local codes. This includes proper grounding and bonding of the sign.



NON-ILLUMINATED AWNING DISPLAY:
SCALE: 1/2" = 1'-0"



1 EXTERIOR ELEVATIONS
 scale: 1/4" = 1'-0"

SCOOTER'S
COFFEE DRIVE-THRU

Awning Display

FRAME: 1"x 1" ALUM. Sq. TUBE FRAME (Painted Black)
SKIN: LOGO RED SUNBRELLA MATERIAL #6066-0000
GRAPHICS: (As Noted)

INSTALLATION:
 PANEL IS TO BE MOUNTED TO FASCIA USING PROPER HARDWARE AND FASTENERS (NON-CORROSIVE).
 14GA. Z-CLIPS - #12 SELF TAPPING TEKS - 3/16" 0 x 1 1/2" TAP CONS TO EXISTING FASCIA.

Omaha Neon Sign Co., Inc.
 1120 N 18th Street • Omaha 68102
 402.341.6077 • 402.341.7654 fax
 This design and all material appearing hereon constitute the original unpublished work of Omaha Neon Sign Co., Inc. and may not be duplicated, used or disclosed without written consent.

DRAWING # : 127143
PROJECT ID: 25441

SALES PERSON: andye nelson
DRAWN BY: wes stephens

DATE: 03.31.21
 Revised:
DATE: 04.02.21

INSPECTED BY:

SCOOTER'S
COFFEE DRIVE-THRU
 707 NE Rice Rd
 LEE's Summit, MO

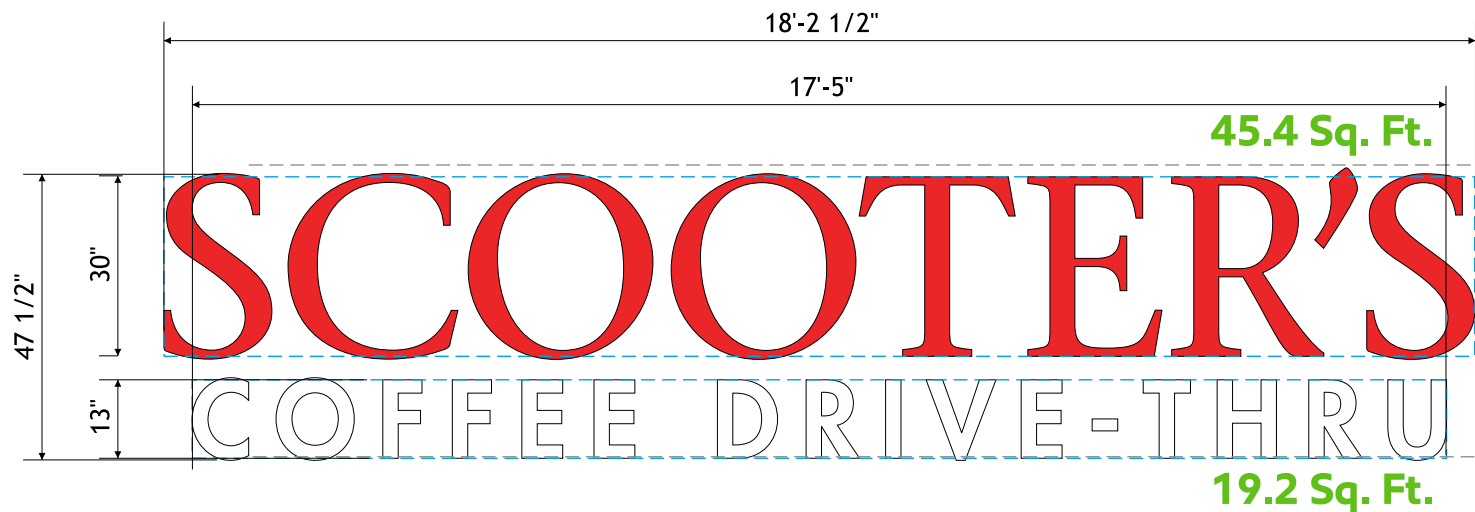
NOTICE:

ALL GRAPHIC REPRODUCTIONS ARE SUBJECT TO APPROVAL BY AUTHORIZED CLIENT, AS OF APPROVAL BY THE UNDERSIGNED AND DATED PRIOR TO ANY FABRICATION OF PRODUCT. OMAHA NEON SIGN COMPANY, INC. HOLDS ALL AGREEMENTS FINAL AND TO CLIENT APPROVAL.

Signed _____ Date _____
 Sales Rep. _____ Date _____

This sign is intended to be installed in accordance with the requirements of Article 600 of the National Electric Code and/or other applicable local codes. This includes proper grounding and bonding of the sign.





NOTE:
ALUMINUM REVERSE RACEWAY
LOCATED ON ROOF BEHIND
PARAPET WALL.

NOTE:
POWER TO EXIT AT TOP AREA OF
"SCOOTER'S"

NOTE:
POWER TO EXIT AT LOWEST POINT
OF "COFFEE DRIVE-THRU"

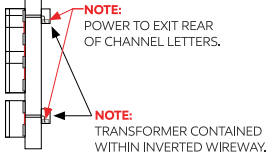


NOTE:
POWER TO EXIT LOWER
LETTERS AND ENTER STORE.

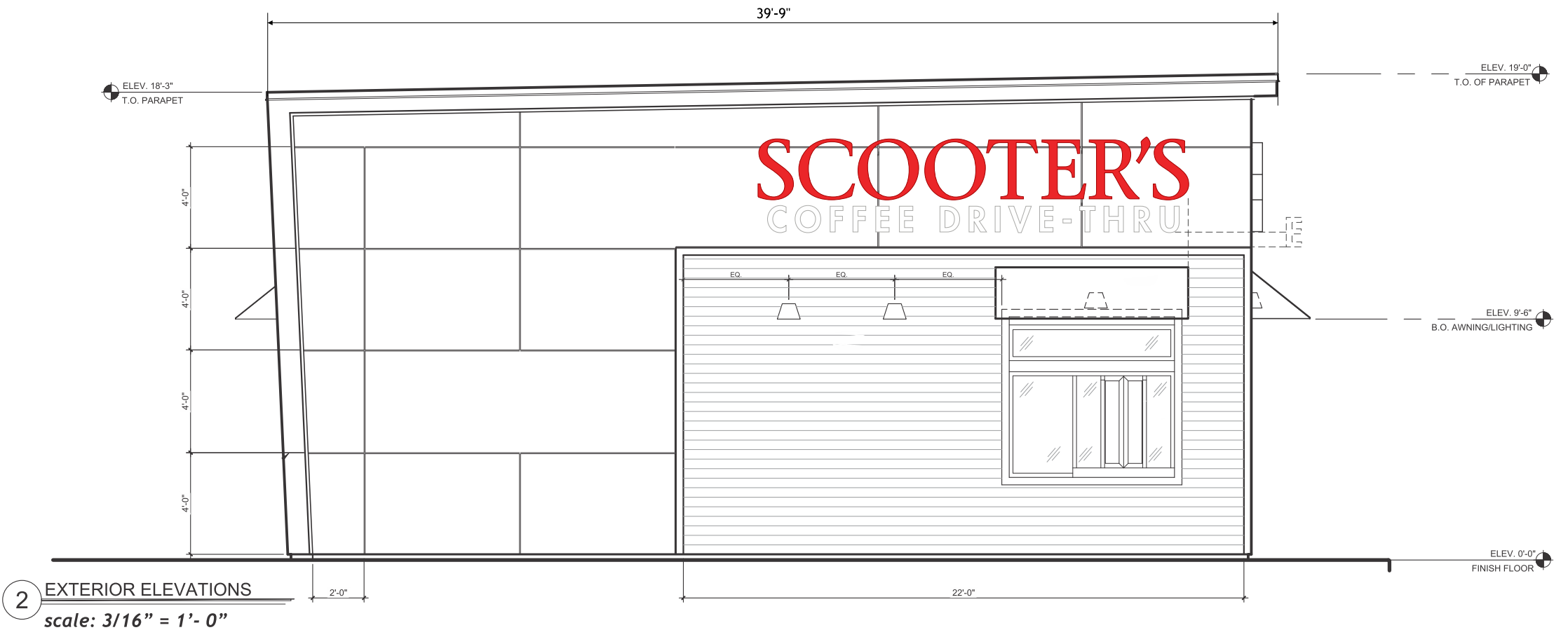
**FLUSH MOUNTED CHANNEL LETTERS
SCALE: 3/8" = 1'-0"**

SCOOTER'S	
RETURNS:	3 Inch Deep .040 Blk. Pre-Finished Aluminum
BACKS:	.063 White Pre-Finished Aluminum
FACES:	.1875 White Acrylic
VINYL:	230-43 Tomato Red - Translucent
TRIM-CAP:	1 Inch Black
ILLUMINATION:	Red Hanley LED's
COFFEE DRIVE-THRU	
RETURNS:	3 Inch Deep .040 Blk. Pre-Finished Aluminum
BACKS:	.063 White Pre-Finished Aluminum
FACES:	.1875 White Acrylic
TRIM-CAP:	1 Inch Black
ILLUMINATION:	White Hanley LED's

NOTE:
LED MODULES ARE RIVETED TO
ALUMINUM BACK AND SEALED WITH
SILICONE. NUMBER OF LED MODULES
WILL VARY DEPENDING ON LOGO SIZE.



Total: 64.6 Sq. Ft.



2 EXTERIOR ELEVATIONS
scale: 3/16" = 1' - 0"

Omaha Neon Sign Co., Inc.
1120 N 18th Street • Omaha 68102
402.341.6077 • 402.341.7654 fax
This design and all material appearing hereon constitute the original unpublished work of Omaha Neon Sign Co., Inc. and may not be duplicated, used or disclosed without written consent.

DRAWING # : 127144
PROJECT ID: 25441

SALES PERSON: andye nelson
DRAWN BY: wes stephens

DATE: 03.31.21
Revised: 04.02.21

INSPECTED BY:

SCOOTER'S COFFEE DRIVE-THRU
707 NE Rice Rd
LEE's Summit, MO

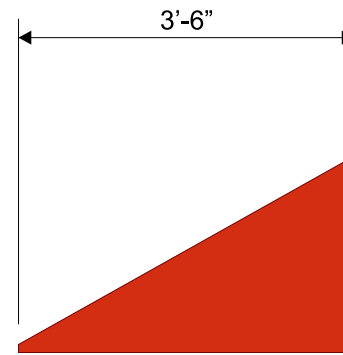
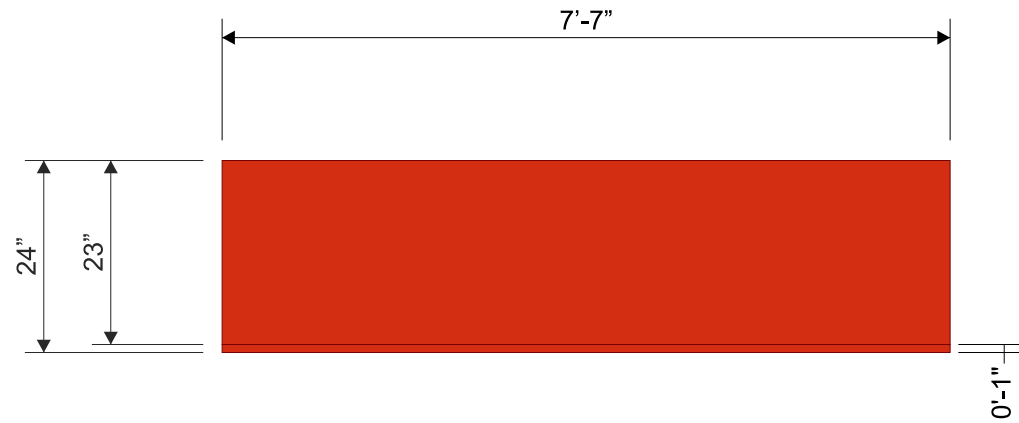
NOTICE:
ALL GRAPHIC REPRODUCTIONS ARE SUBJECT TO APPROVAL BY THE UNDERSIGNED CLIENT, AS OF APPROVAL BY THE UNDERSIGNED AND DATED PRIOR TO ANY FABRICATION OF PRODUCT. OMAHA NEON SIGN COMPANY, INC. HOLDS ALL AGREEMENTS FINAL AND TO CLIENT APPROVAL.

Signed _____ Date _____
Sales Rep. _____ Date _____

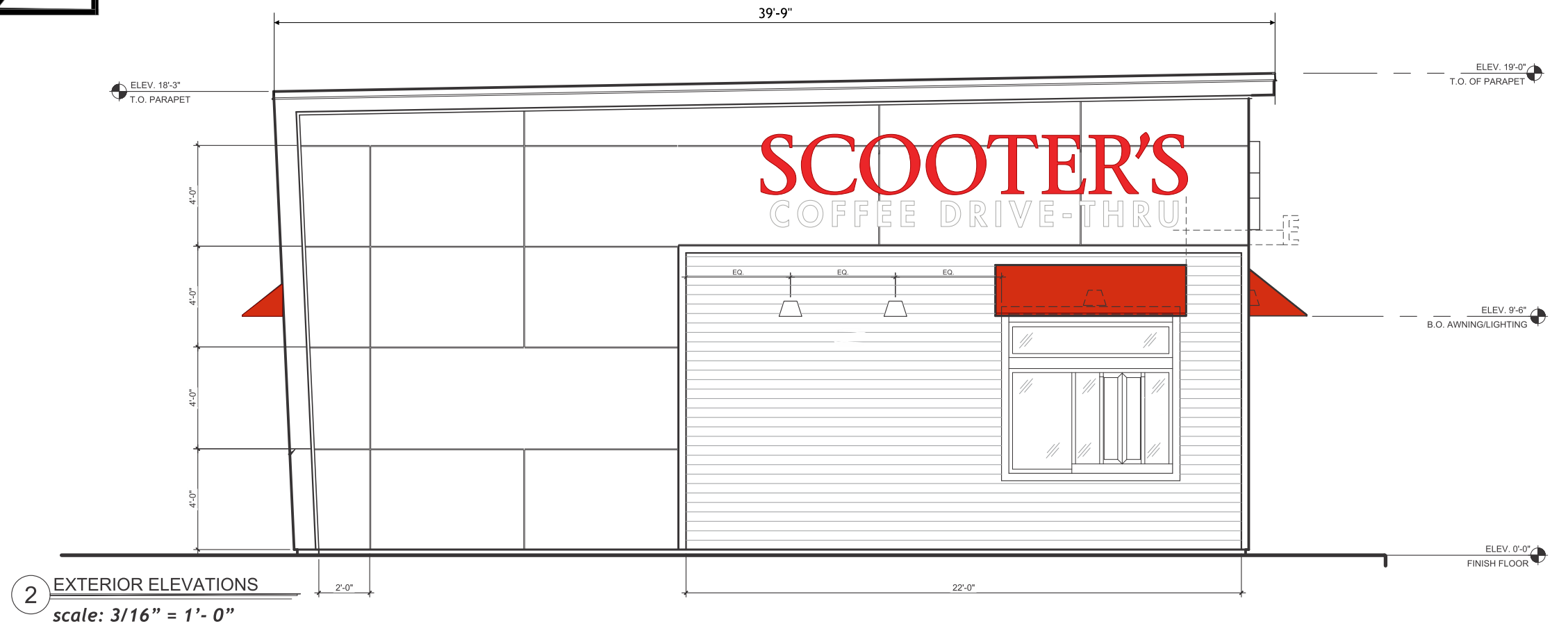
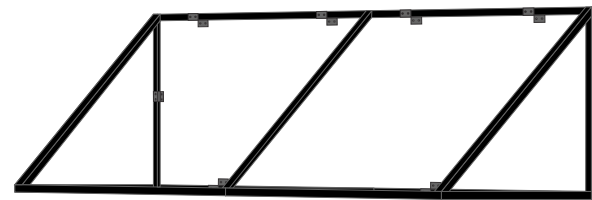
This sign is intended to be installed in accordance with the requirements of Article 600 of the National Electric Code and/or other applicable local codes. This includes proper grounding and bonding of the sign.

UL LISTED

NON-ILLUMINATED AWNING DISPLAY:
SCALE: 1/2" = 1'-0"



SCOOTER'S COFFEE DRIVE-THRU	
Awning Display	
FRAME:	1"x 1" ALUM. Sq. TUBE FRAME (Painted Black)
SKIN:	LOGO RED SUNBRELLA MATERIAL #6066-0000
GRAPHICS:	(As Noted)
INSTALLATION:	
PANEL IS TO BE MOUNTED TO FASCIA USING PROPER HARDWARE AND FASTENERS (NON-CORROSIVE). 14GA. Z-CLIPS - #12 SELF TAPPING TEKS - 3/16" 0 x 1 1/2" TAP CONS TO EXISTING FASCIA.	



2 EXTERIOR ELEVATIONS
scale: 3/16" = 1' - 0"

Omaha Neon Sign Co., Inc.
 1120 N 18th Street • Omaha 68102
 402.341.6077 • 402.341.7654 fax
 This design and all material appearing hereon constitute the original unpublished work of Omaha Neon Sign Co., Inc. and may not be duplicated, used or disclosed without written consent.

DRAWING # : 127145
PROJECT ID: 25441

SALES PERSON: andye nelson
DRAWN BY: wes stephens

DATE: 03.31.21
Revised: 04.02.21

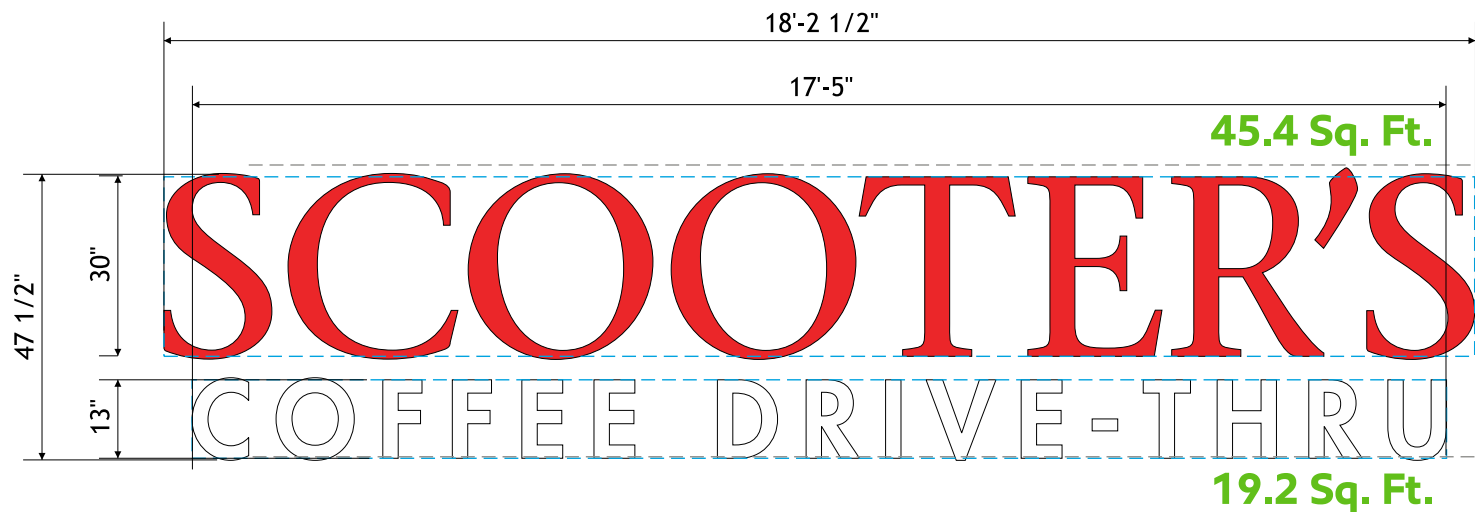
INSPECTED BY:
SCOOTER'S COFFEE DRIVE-THRU
 707 NE Rice Rd
 LEE's Summit, MO

NOTICE:
 ALL GRAPHIC REPRODUCTIONS ARE SUBJECT TO APPROVAL BY THE UNDERSIGNED AND DATED PRIOR TO ANY FABRICATION OF PRODUCT. OMAHA NEON SIGN COMPANY, INC. HOLDS ALL AGREEMENTS FINAL AND TO CLIENT APPROVAL.

Signed _____ Date _____
 Sales Rep. _____ Date _____

This sign is intended to be installed in accordance with the requirements of Article 600 of the National Electric Code and/or other applicable local codes. This includes proper grounding and bonding of the sign.

UL LISTED



NOTE:
ALUMINUM REVERSE RACEWAY
LOCATED ON ROOF BEHIND
PARAPET WALL.

NOTE:
POWER TO EXIT AT TOP AREA OF
"SCOOTER'S"

NOTE:
POWER TO EXIT AT LOWEST POINT
OF "COFFEE DRIVE-THRU"



NOTE:
POWER TO EXIT LOWER
LETTERS AND ENTER STORE.

FLUSH MOUNTED CHANNEL LETTERS
SCALE: 3/8" = 1'-0"

SCOOTER'S	
RETURNS:	3 Inch Deep .040 Blk. Pre-Finished Aluminum
BACKS:	.063 White Pre-Finished Aluminum
FACES:	.1875 White Acrylic
VINYLS:	230-43 Tomato Red - Translucent
TRIM-CAP:	1 Inch Black
ILLUMINATION:	Red Hanley LED's
COFFEE DRIVE-THRU	
RETURNS:	3 Inch Deep .040 Blk. Pre-Finished Aluminum
BACKS:	.063 White Pre-Finished Aluminum
FACES:	.1875 White Acrylic
TRIM-CAP:	1 Inch Black
ILLUMINATION:	White Hanley LED's

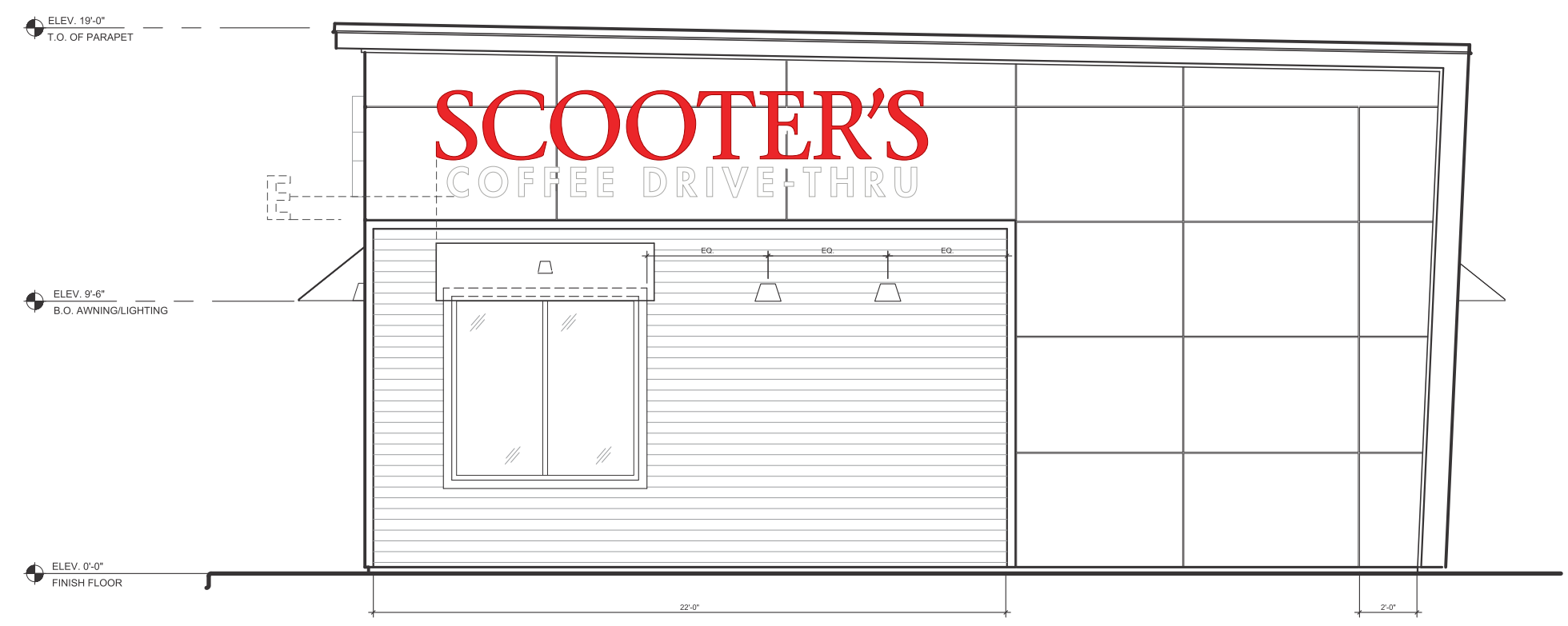
NOTE:
LED MODULES ARE RIVETED TO
ALUMINUM BACK AND SEALED WITH
SILICONE. NUMBER OF LED MODULES
WILL VARY DEPENDING ON LOGO SIZE.



NOTE:
POWER TO EXIT REAR
OF CHANNEL LETTERS.

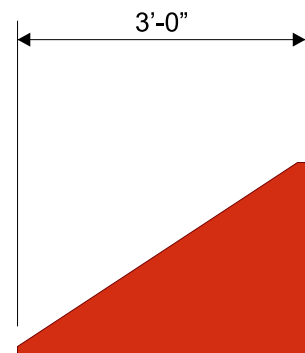
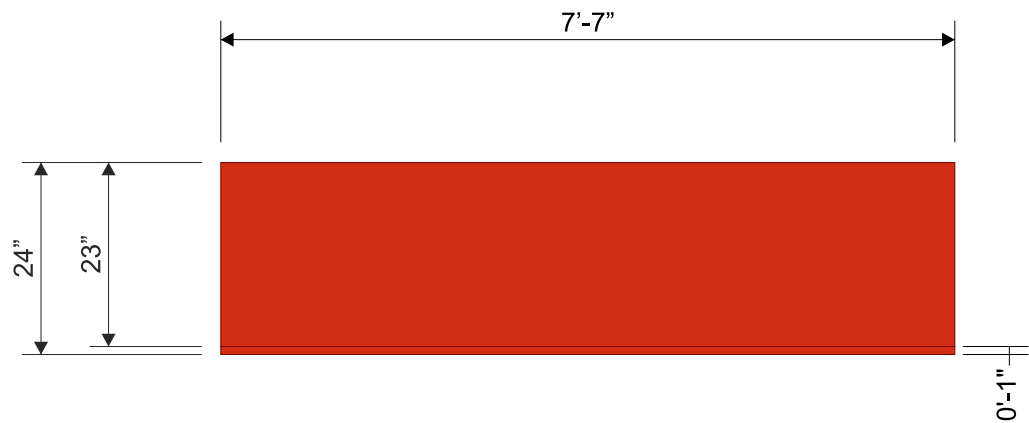
NOTE:
TRANSFORMER CONTAINED
WITHIN INVERTED WIREWAY.

Total: 64.6 Sq. Ft.



1 EXTERIOR ELEVATIONS
scale: 3/16" = 1'-0"

<p>Omaha Neon Sign Co., Inc. 1120 N 18th Street • Omaha 68102 402.341.6077 • 402.341.7654 fax This design and all material appearing hereon constitute the original unpublished work of Omaha Neon Sign Co., Inc. and may not be duplicated, used or disclosed without written consent.</p>	<p>DRAWING # : 127146</p> <p>PROJECT ID: 25441</p>	<p>SALES PERSON: andye nelson</p> <p>DRAWN BY: wes stephens</p>	<p>DATE: 03.31.21</p> <p>Revised: 04.02.21</p>	<p>INSPECTED BY:</p> <p>SCOOTER'S COFFEE DRIVE-THRU 707 NE Rice Rd LEE's Summit, MO</p>	<p>NOTICE: ALL GRAPHIC REPRODUCTIONS ARE SUBJECT TO APPROVAL BY THE AUTHORIZED CLIENT, AS OF APPROVAL BY THE UNDERSIGNED AND DATED PRIOR TO ANY FABRICATION OF PRODUCT. OMAHA NEON SIGN COMPANY, INC. HOLDS ALL AGREEMENTS FINAL AND TO CLIENT APPROVAL.</p> <p>Signed _____ Date _____ Sales Rep. _____ Date _____</p>	<p>This sign is intended to be installed in accordance with the requirements of Article 600 of the National Electric Code and/or other applicable local codes. This includes proper grounding and bonding of the sign.</p> <p></p>
---	--	---	--	---	--	--

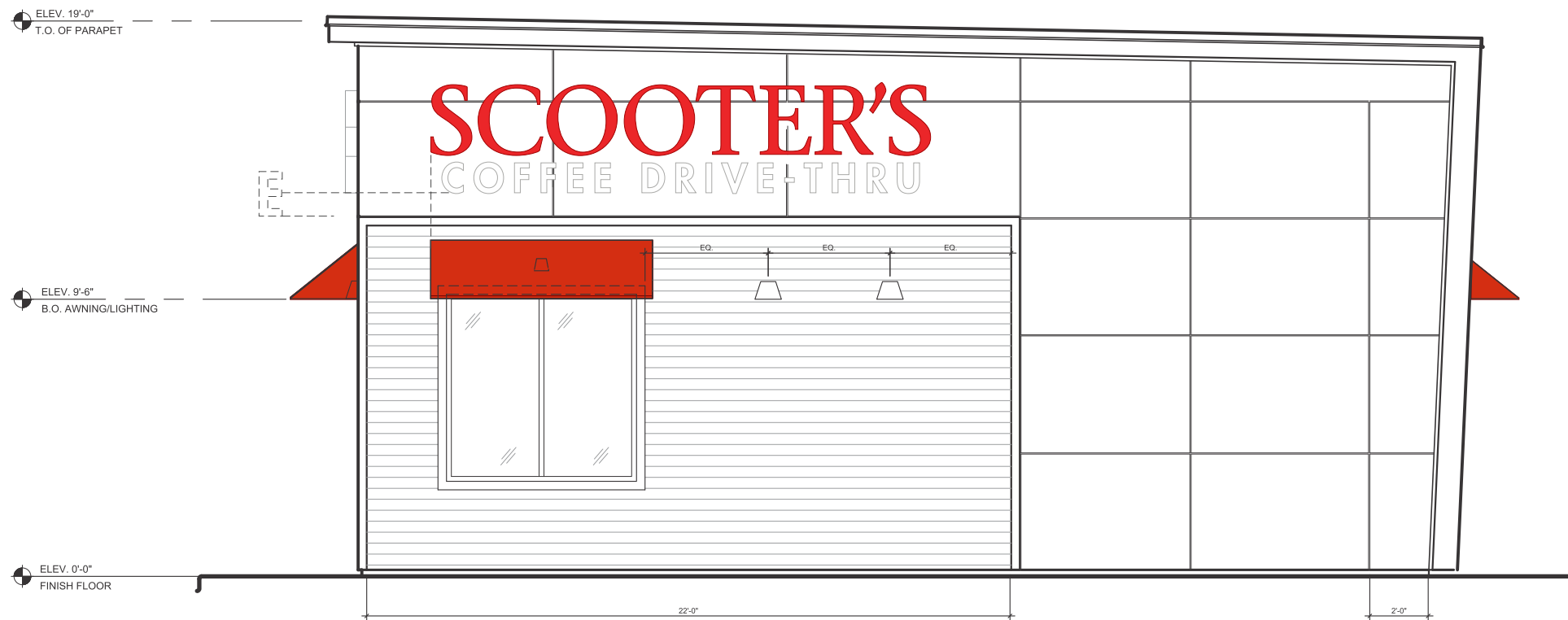


SCOOTER'S
COFFEE DRIVE-THRU

Awning Display

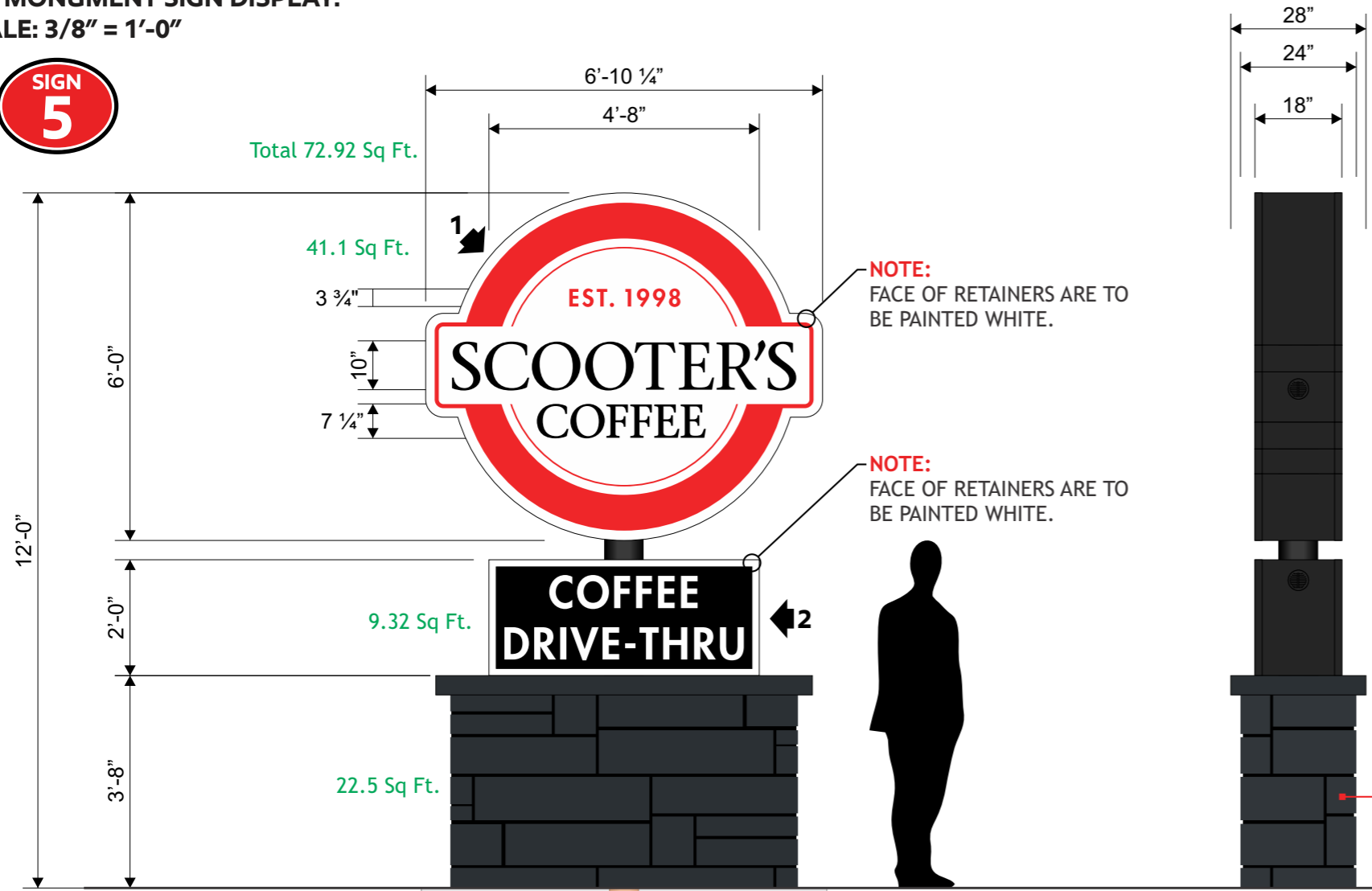
FRAME:	1"x 1" ALUM. Sq. TUBE FRAME (Painted Black)
SKIN:	LOGO RED SUNBRELLA MATERIAL #6066-0000
GRAPHICS:	(As Noted)

INSTALLATION:
PANEL IS TO BE MOUNTED TO FASCIA USING PROPER HARDWARE AND FASTENERS (NON-CORROSIVE).
14GA. Z-CLIPS - #12 SELF TAPPING TEKS - 3/16" 0 x 1 1/2"
TAP CONS TO EXISTING FASCIA.



1 EXTERIOR ELEVATIONS
scale: 3/16" = 1'- 0"

SIGN 5



Total 72.92 Sq Ft.

41.1 Sq Ft.

3 3/4"

10"

7 1/4"

9.32 Sq Ft.

22.5 Sq Ft.

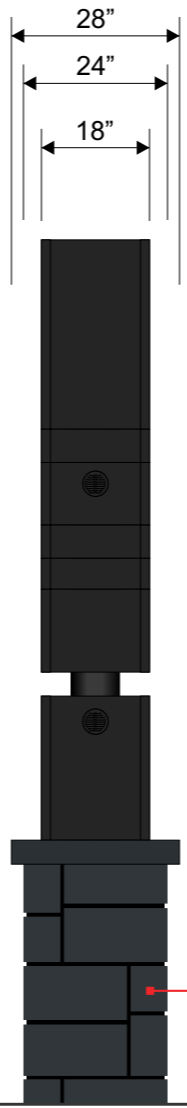
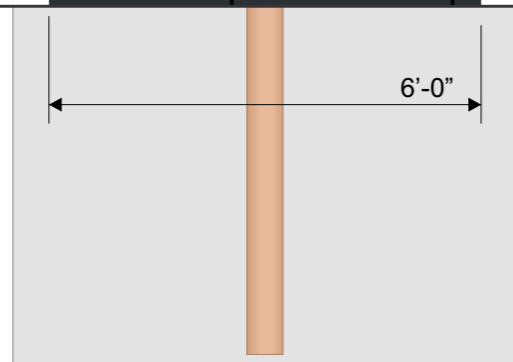
NOTE:
FACE OF RETAINERS ARE TO BE PAINTED WHITE.

NOTE:
FACE OF RETAINERS ARE TO BE PAINTED WHITE.

Stone Color:
Sherwin Williams
Inkwell 6992

SPREAD FOOTING DETAIL	
DEPTH:	5'-0"
FACE WIDTH:	7'-0"
END WIDTH:	3'-0"
TYPE:	SPREAD
STEEL SIZE:	6 INCH STD.

TO BE VERIFIED



1 SCOOTER'S COFFEE DRIVE-THRU
Monument Sign Display (Primary)

FABRICATED FROM .050 ALUMINUM PAINTED WHITE OVER AN INTERNAL ANGLE FRAME WITH WHITE PRE-FINISHED ALUMINUM SKIN. RETAINERS ARE TO BE ALUMINUM PAINTED WHITE. FACES ARE TO BE WHITE LEXAN WITH 3M VINYL GRAPHICS APPLIED TO THE FIRST SURFACE (AS NOTED). INTERNAL ILLUMINATION WITH ONE (1) ROW OF WT HANLEY PHEONIX LED LIGHTING. CABINET IS TO BE MOUNTED TO SINGLE POLE STRUCTURE (AS NOTED).

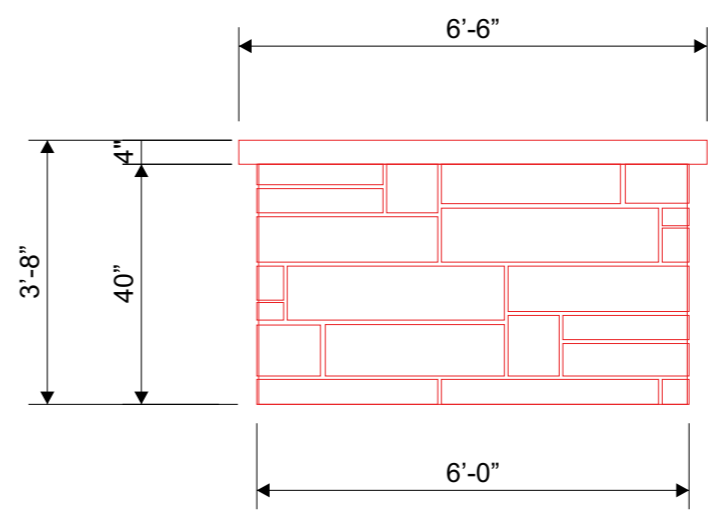
2 SCOOTER'S COFFEE DRIVE-THRU
Monument Sign Display (Secondary)

FABRICATED FROM EC-FRAME (EXTRUDED ALUMINUM AND WILL HAVE ALUMINUM SKIN PAINTED. CABINET AND RETAINERS ARE TO BE PAINTED WHITE. FACE(S) IS TO BE 3/16" WHITE PLEXIGLAS #2793 WITH 3M VINYL GRAPHICS APPLIED TO THE FIRST SURFACE. INTERNAL ILLUMINATION WITH WHITE HANLEY PHOENIX S/S LED'S. CABINET IS TO BE MOUNTED TO POLE STRUCTURE USING PROPER HARDWARE AND FASTENERS (NON-CORROSIVE).

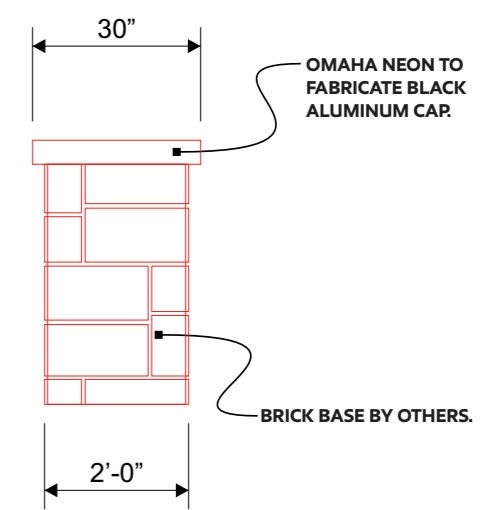
3M Series 230
TRANSLUCENT FILM

LT. TOMATO RED
230-43

BLACK
230-22



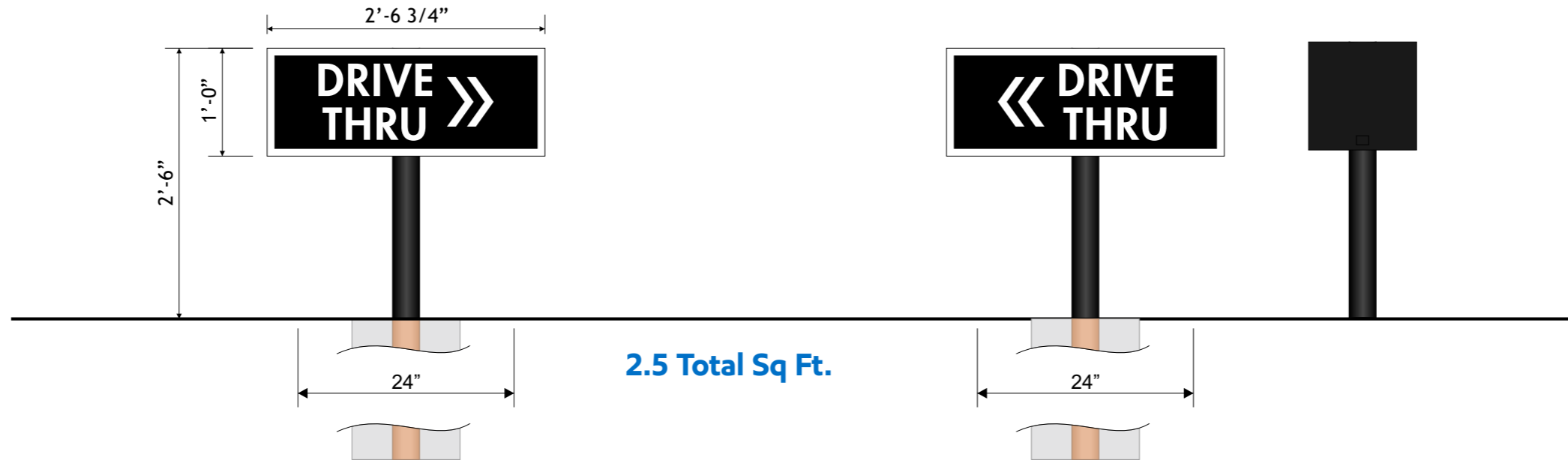
BASE DETAIL: FACE



BASE DETAIL: END

OMAHA NEON TO FABRICATE BLACK ALUMINUM CAP.

BRICK BASE BY OTHERS.



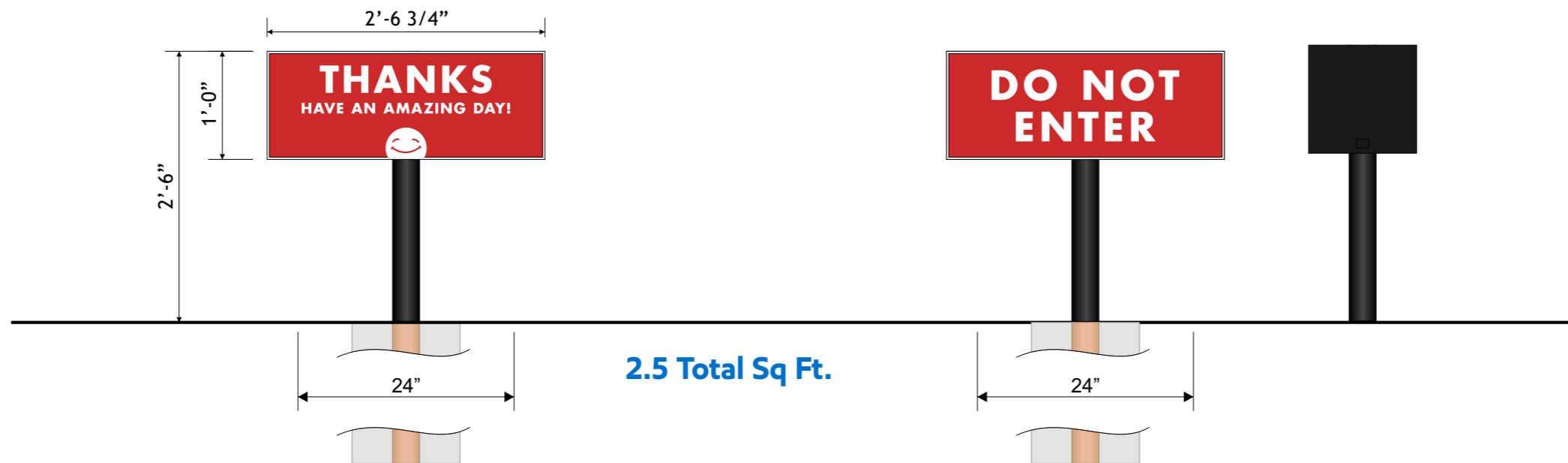
FOOTING DETAIL	
DEPTH:	42 Inches
WIDTH:	12 Inches
TYPE:	AUGURED.
STEEL SIZE:	3 Inch Std.

NOTE: TO BE VERIFIED.

SCOOTER'S COFFEE DRIVE-THRU	
Directional Sign Display	
INTERIOR FRAME:	1 Inch Angle Iron
CABINET COLOR:	.063 Aluminum Painted Black.
TRIM-CAP:	1 Inch Black.
FACE MATERIAL:	3/16" White Plexiglas
GRAPHICS:	Applied Vinyl Graphics (as noted).
ILLUMINATION:	White Hanley LED's
CABINET IS TO BE MOUNTED IN CUSTOMER SPECIFIED LOCATION USING PROPER HARDWARE AND FASTENERS (NON-CORROSIVE).	

3M Series 230
TRANSLUCENT FILM



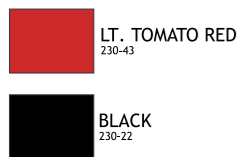


FOOTING DETAIL	
DEPTH:	42 Inches
WIDTH:	12 Inches
TYPE:	AUGURED.
STEEL SIZE:	3 Inch Std.

NOTE: TO BE VERIFIED.

SCOOTER'S COFFEE DRIVE-THRU	
Directional Sign Display	
INTERIOR FRAME:	1 Inch Angle Iron
CABINET COLOR:	.063 Aluminum Painted Black.
TRIM-CAP:	1 Inch Black.
FACE MATERIAL:	3/16" White Plexiglas
GRAPHICS:	Applied Vinyl Graphics (as noted).
ILLUMINATION:	White Hanley LED's
CABINET IS TO BE MOUNTED IN CUSTOMER SPECIFIED LOCATION USING PROPER HARDWARE AND FASTENERS (NON-CORROSIVE).	

3M Series 230
TRANSLUCENT FILM



1120 N 18th Street - Omaha 68102
402.341.6077 • 402.341.7654 fax
This design and all material appearing hereon constitute the original unpublished work of Omaha Neon Sign Co., Inc. and may not be duplicated, used or disclosed without written consent.

DRAWING # : 127150
PROJECT ID: 25441

SALES PERSON: andye nelson
DRAWN BY: wes stephens

DATE: 03.31.21
Revised:
DATE: 000000

INSPECTED BY:

**SCOOTER'S
COFFEE DRIVE-THRU**
707 NE Rice Rd
LEE's Summit, MO

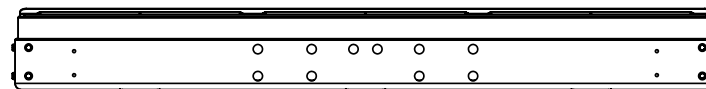
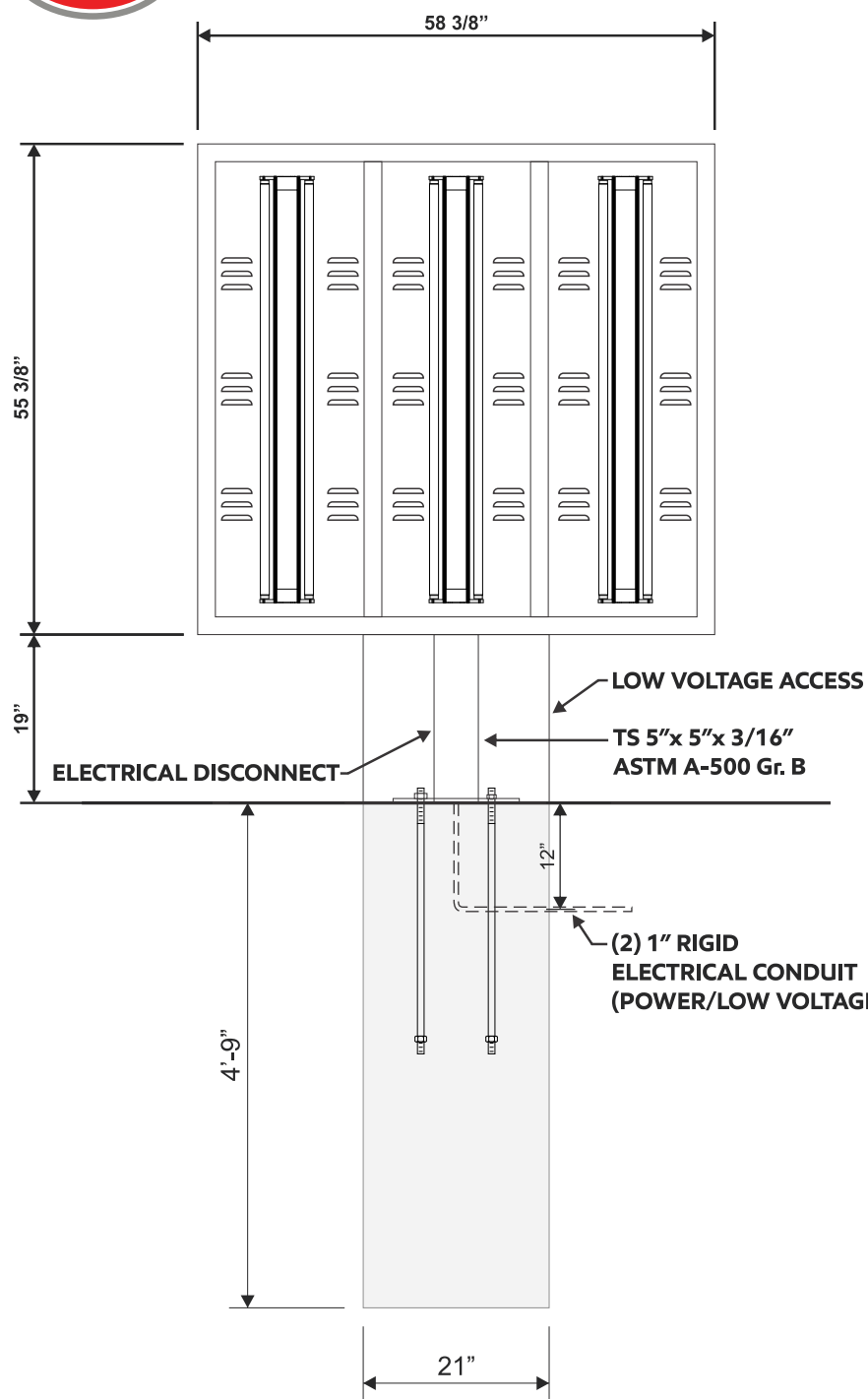
NOTICE:

ALL GRAPHIC REPRODUCTIONS ARE SUBJECTED BY APPROVAL OF AUTHORIZED CLIENT, AS OF APPROVAL BY THE UNDERSIGNED AND DATED PRIOR TO ANY FABRICATION OF PRODUCT. OMAHA NEON SIGN COMPANY, INC. HOLDS ALL AGREEMENTS FINAL AND TO CLIENT APPROVAL.

Signed _____ Date _____
Sales Rep. _____ Date _____

This sign is intended to be installed in accordance with the requirements of Article 600 of the National Electric Code and/or other applicable local codes. This includes proper grounding and bonding of the sign.





MENU BOARD DISPLAY

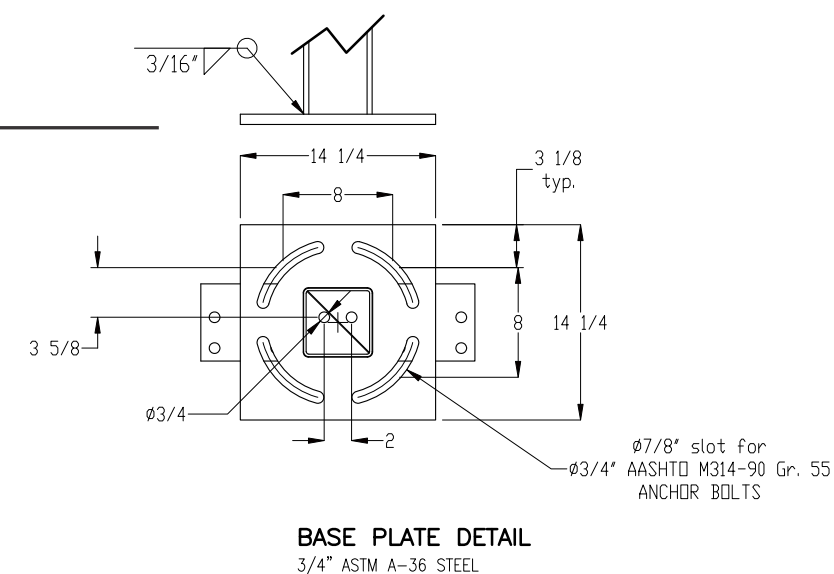
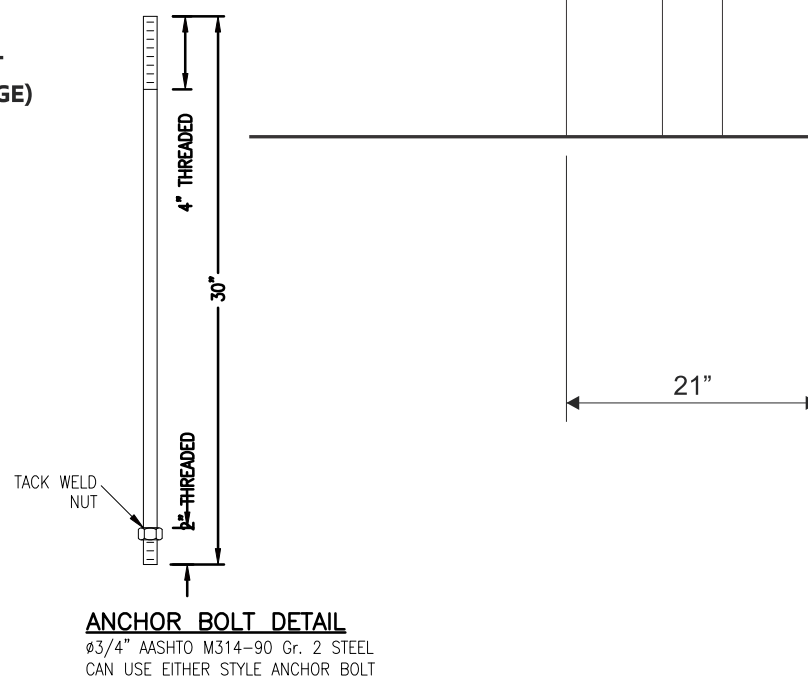
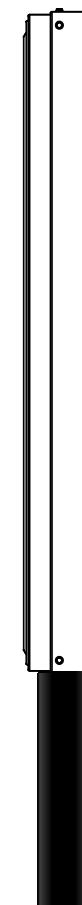


Scooter's Coffee
Project U19

Ref#GK-18-536r3 • Aug. 21, 2018

ILLUMINATED DRIVE-THRU SYSTEM:

- ☐ LED LIGHTING
- ☐ MOUNTED TO EXISTING PIPE AND FOOTING AS SHOWN
- ☐ GRAPHICS ARE CHANGEABLE



NOTICE:

ALL GRAPHIC REPRODUCTIONS ARE SUBJECT TO APPROVAL OF AUTHORIZED CLIENT, AS OF APPROVAL BY THE UNDERSIGNED AND DATED PRIOR TO ANY FABRICATION OF PRODUCT. OMAHA NEON SIGN COMPANY, INC. HOLDS ALL AGREEMENTS FINAL AND TO CLIENT APPROVAL.

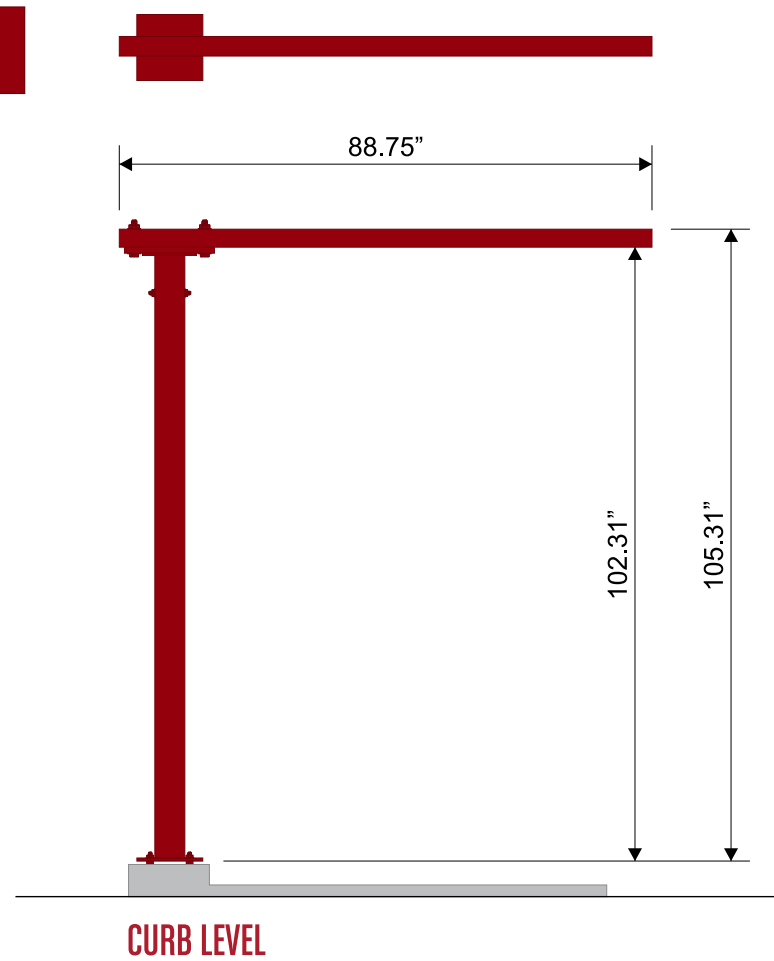
Signed _____ Date _____
 Sales Rep. _____ Date _____

This sign is intended to be installed in accordance with the requirements of Article 600 of the National Electric Code and/or other applicable local codes. This includes proper grounding and bonding of the sign.

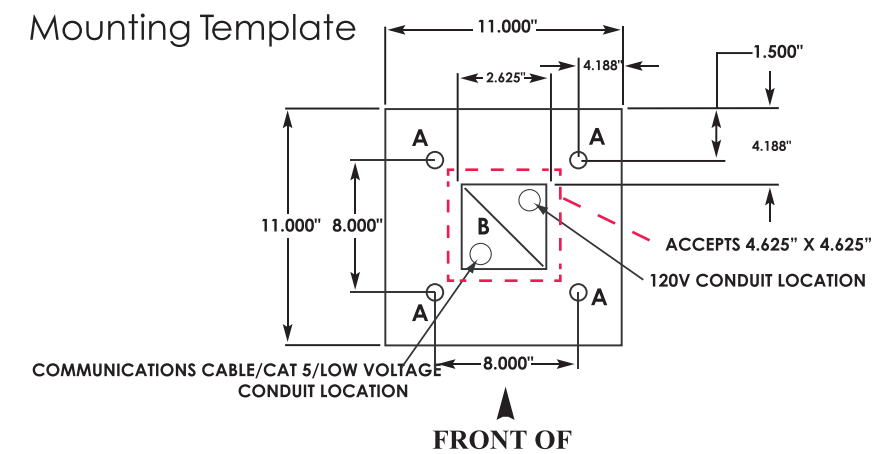
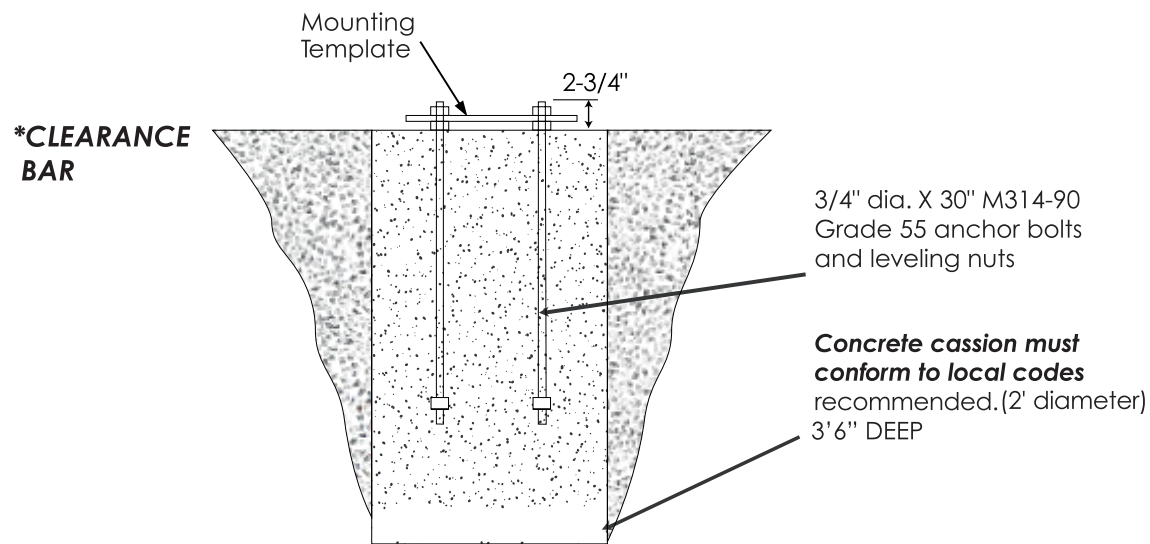


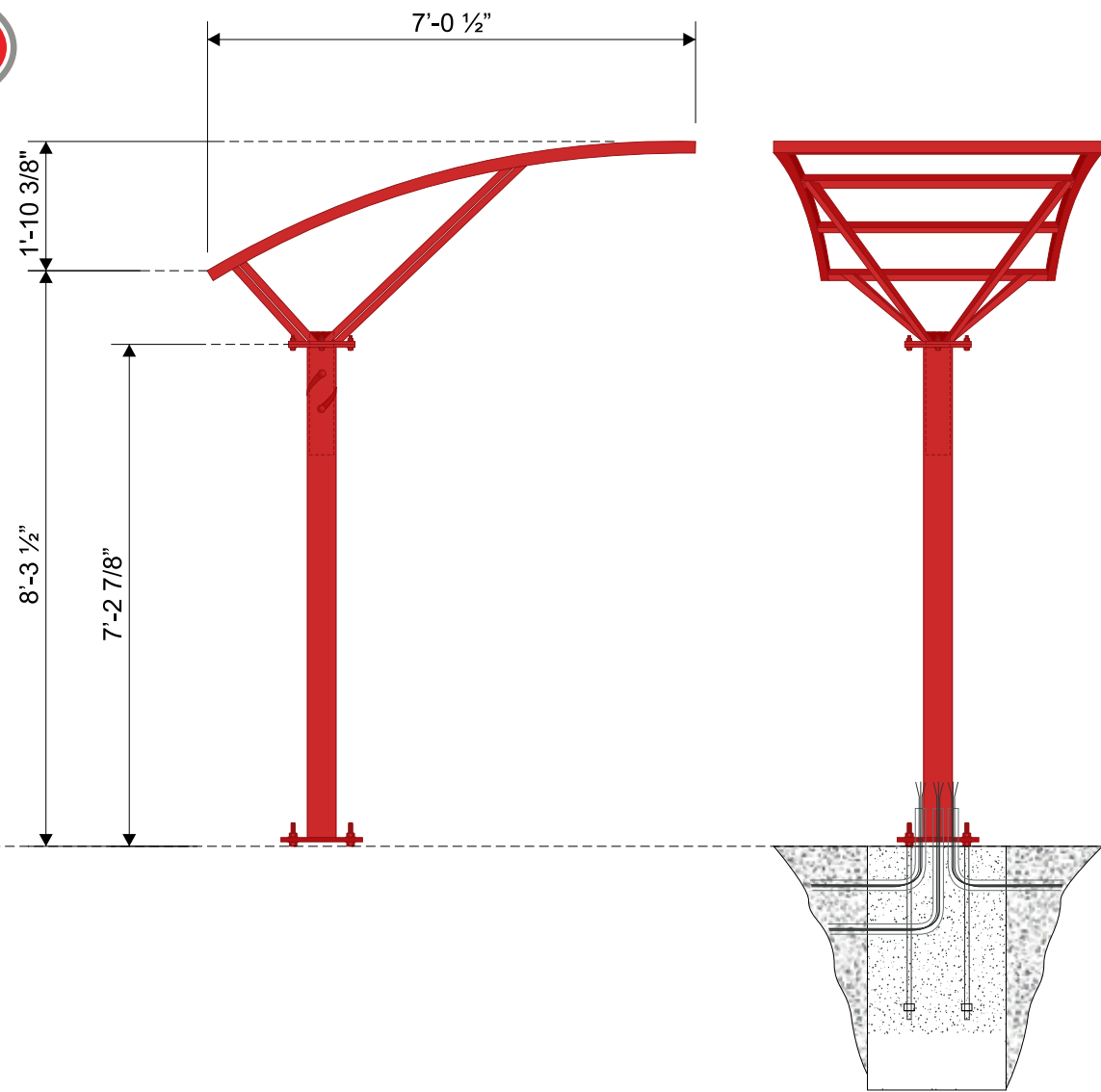


RED



DRIVE-THRU CLEARANCE BAR
SCALE: 3/8" = 1'-0"





Mounting to Foundation

After the concrete has set, remove template and discard. **NOTE: Do not discard the four (4) or, (8) nuts that were just removed.**

The pedestal base plate is now ready to be mounted. Remove any concrete residue from the threads of the anchor bolts. Thread one (1) nut onto each bolt until it stops; then put a flat washer over each bolt. Feed the 120VAC power lines and ground lead into the inside back hole of the bottom of the pedestal base (see **Diagram G, H and J**). Set pedestal base onto anchor bolts place a flat and lock washer over each bolt, and thread on nut. The top surface of the pedestal base should be rough leveled at this time. Adjust the upper and lower hex nuts until the pedestal base is level and tighten. **NOTE: Final leveling can be done after the product is in place (if required).** Use the same procedure as above.

Locate the power leads. These will be hanging from the opening in the bottom of the menu board.

The product is factory wired and needs only to be energized on the job site. This should be done by a qualified electrician only. No disassembly is required.

Connect unit power leads and grounding conductor (green lead) to the power source. Power source must be 120VAC, 60 Hz. Energize the circuit to check the operation. Connect the speaker/microphone (if provided) to the internal communication system

WARNING: DO NOT CONNECT THE SPEAKER/MIC/DATA/CAT 5/LOOP WIRE TO 120VAC (POWER SOURCE).

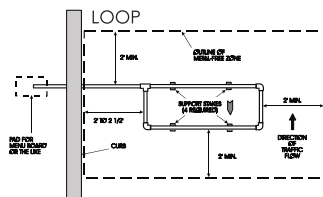
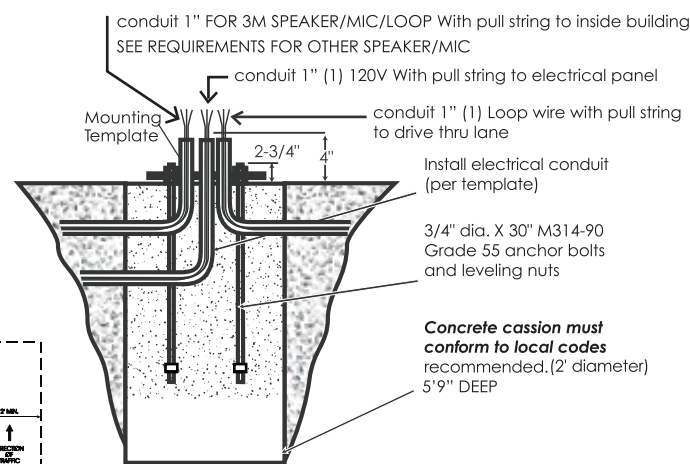
AMPS REQUIRED 120V

CURVED TOP CANOPY LED LIGHTING - .2amps
FLAT TOP CANOPY LED LIGHTING - .3amps



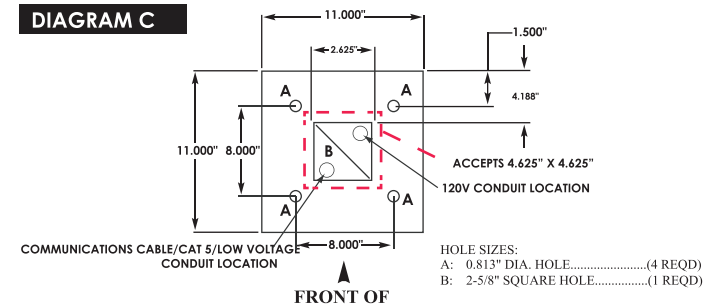
DIAGRAM J

***CANOPY WITH SPEAKER/MIC AND LIGHTING (LOOP REQUIRED)**



Mounting Template

DIAGRAM C



Foundation

The high voltage conduit must be installed in place by a qualified contractor. It runs from the power source to the menu board location. A conduit stub should protrude 4" above the concrete slab (see **Diagram I, J, K and L**). Use the template supplied for the correct relation between the mounting bolts and the conduit location. Power and ground leads should be pulled through the conduit approximately 12" beyond the conduit stub, and be accessible at the time of final wiring. **Note: The 120VAC power lines run up the inside back of the pedestal base (see Diagram C, Mounting Template)**

② Foundation Placement

DIAGRAM G

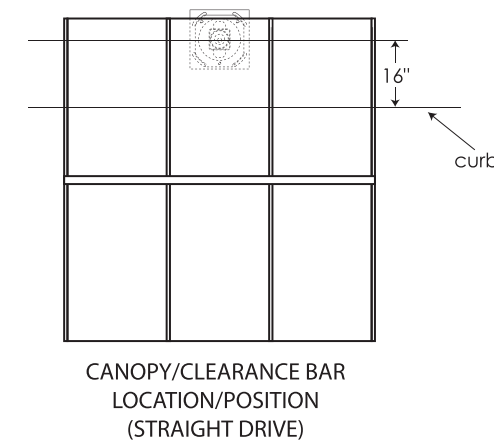
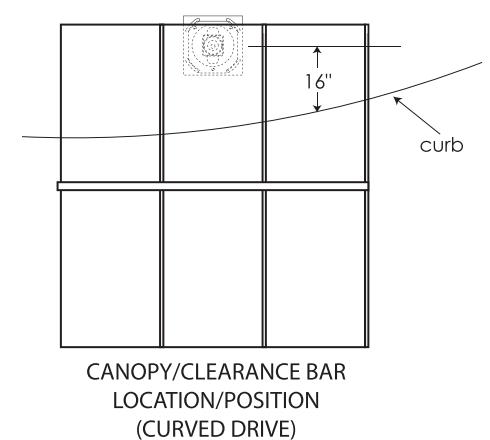


DIAGRAM H



Omaha Neon Sign Co., Inc.
1120 N 18th Street • Omaha 68102
402.341.6077 • 402.341.7654 fax
This design and all material appearing hereon constitute the original unpublished work of Omaha Neon Sign Co., Inc. and may not be duplicated, used or disclosed without written consent.

DRAWING # : 127153
PROJECT ID: 25441

SALES PERSON: andye nelson
DRAWN BY: wes stephens

DATE: 04.01.21
Revised: DATE: 000000

INSPECTED BY:
SCOOTER'S COFFEE DRIVE-THRU
707 NE Rice Rd
LEE's Summit, MO

NOTICE:
ALL GRAPHIC REPRODUCTIONS ARE SUBJECT TO APPROVAL BY THE AUTHORIZED CLIENT, AS OF APPROVAL BY THE UNDERSIGNED AND DATED PRIOR TO ANY FABRICATION OF PRODUCT. OMAHA NEON SIGN COMPANY, INC. HOLDS ALL AGREEMENTS FINAL AND TO CLIENT APPROVAL.
Signed _____ Date _____
Sales Rep. _____ Date _____

This sign is intended to be installed in accordance with the requirements of Article 600 of the National Electric Code and/or other applicable local codes. This includes proper grounding and bonding of the sign.
UL LISTED