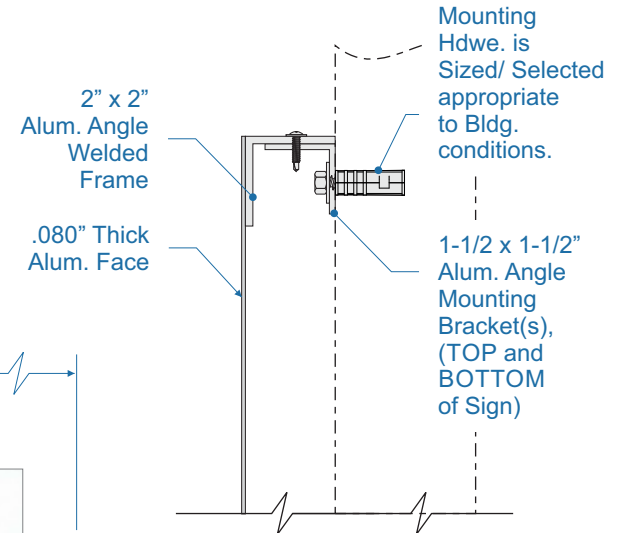


Sign Sq. Ft: 64.00

INSTALL DETAIL



EXISTING SIGN (to be Removed)



NORTH ELEVATION

288"
(24' 0")



PAINTED PAN-FACE SIGN W/ VINYL GRAPHICS (EXTERIOR)

- Qty: (1) One Total Pan Face sign.
- .080" Thick Aluminum face, 2.0" x 2.0" Aluminum Angle Frame, Welded together, w/ reinforcement gussets for rigidity.
- Faces/ Returns painted BLACK.

- Plotter-cut WHITE Vinyl Graphics applied to Face.
- Assembled sign mounted FLUSH against Bldg. surface using 1-1/2" x 1-1/2" Aluminum Angle Brackets (see Install View above.)
- All penetrations into Bldg. sealed using CLEAR Waterproof Silicone.



(Yellow Line indicates proposed location of Sign on Bldg.)

Elevation Sq. Ft: 1,536.00
 Sq. Ft. allowed (10%): 153.60 (10%)
 Sign Sq. Ft: 64.00 (4.17%)

Drawing Prepared by:



Location: _____ Project #: _____

1051 SE Oldham Pkwy.,
 Lee's Summit, MO 64081 Loc # _____

Filename:
 Charles McCoy Truck Center_Pan Face Bldg Sign_Rev04

Drawing Prepared for:

Rev #:	Req #:	Date	Req by:	Drawn by:	Revision Description:	Drawings are the exclusive property of Midwest Sign Company
Original		04/07/21	RJ	MG		
02		04/08/21	RJ	MG	Add MEMORIAL to design	
03		04/12/21	RJ	MG	Move sign to right side of Bldg.	
					Enlarge "Memorial", Reduce "Truck Center"	Approved By: _____ Date: _____
04		04/15/21	RJ	MG	Change CHARLES to CLARLEY	