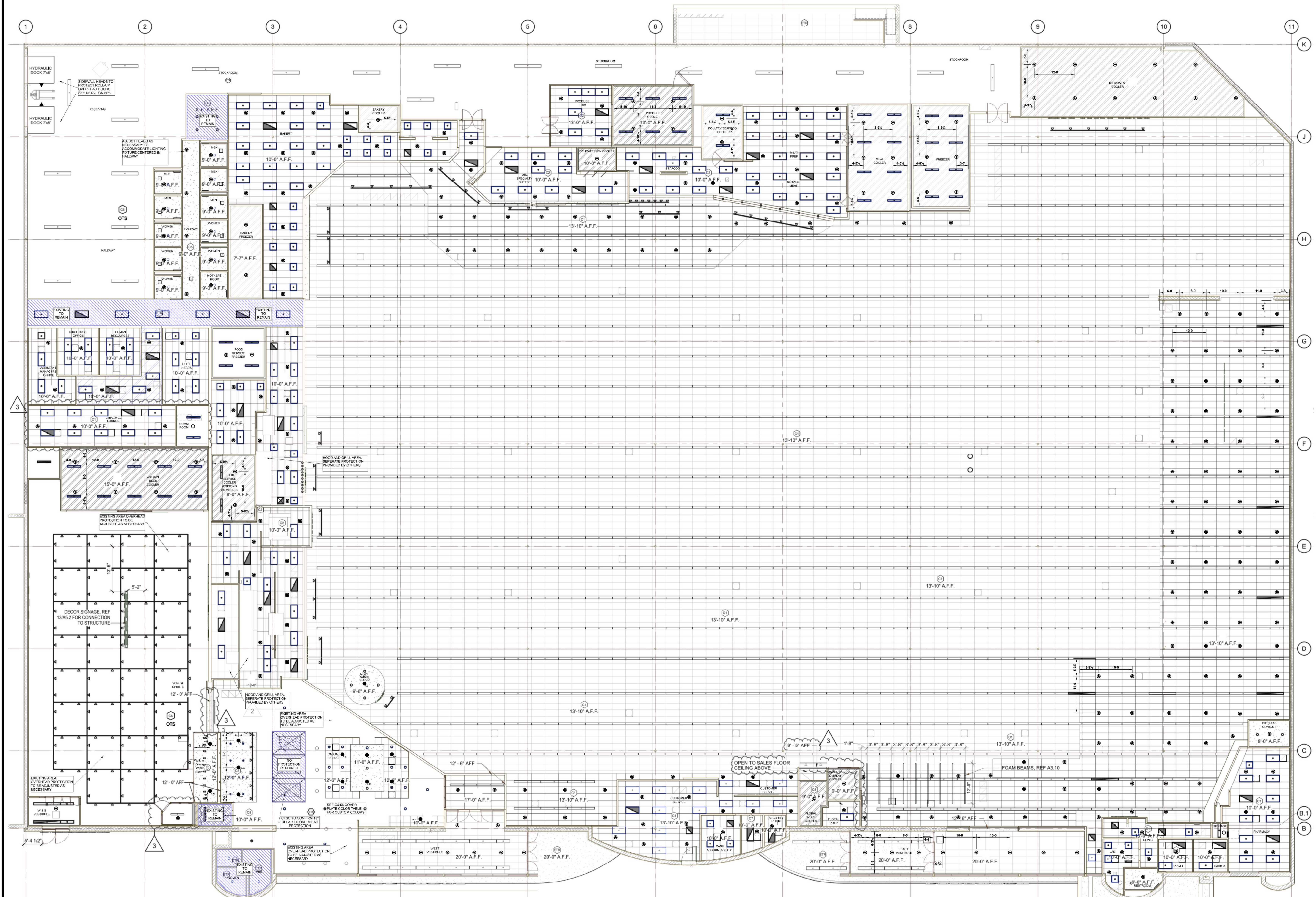




**FOREMAN GENERAL NOTES:**

- USE HARD PIPE CONNECTIONS FOR ALL UPRIGHTS
- USE HARD PIPE CONNECTIONS FOR ALL DRY PENDENTS
- USE FLEXIBLE PIPE CONNECTIONS FOR ALL PENDENTS



**1 FIRE PROTECTION PLAN**  
SCALE: 3/32" = 1'-0"

05-68 COVERPLATE COLOR TABLE

SYM	COLOR	QTY
●-12	SW 7048 URBANE BRONZE	3
●-21	SW 0077 CLASSIC FRENCH GRAY	10

IT IS THE RESPONSIBILITY OF THE OWNER TO PROVIDE THE HEAT REQUIRED TO MAINTAIN A MINIMUM TEMPERATURE OF 40°F IN THE STRUCTURE TO PREVENT FREEZING OF ANY WATER IN THE SPRINKLER SYSTEM.

NO.	DATE	REVISION	DRY SYSTEM INFO	STOCKLIST INFO	WATER SUPPLY	APPROVALS	SPRINKLER TYPE	FINISH	ESC.	SN	MODEL	NPT	K	TEMP	SYM	QTY	SYSTEM TYPE	SCALE	TOTAL SPRINKLERS THIS PROJECT	PIPE SIZED	CONTRACT NUMBER
			CAPACITY: N/A GALLONS	COLOR CODE:	STATIC: 93 P.S.I.	OWNER:	PENDANT	CHR	REC	RA1414	F1FR56	1/2"	5.6	155	●	200	WET/ DRY	3/32" = 1'-0"	318	HYDRAULIC CALC	20217
			REQ'D TO MEET 68 SEC: N/A	LINE NO. TO	RESIDUAL: 48 P.S.I.	CITY:	PENDANT	CHR	REC	RA1414	F1FR56	1/2"	5.6	200	●	41					
			GOOD REG'D: N/A	MAIN NO. TO	FLOW: 1700 GPM	TEST DATE: 01-28-2021	DRY PEND	CHR	REC	RA1414	F3QR56	1"	5.6	200	●	60					
			AIR COMP MANF: N/A	BUY AMERICAN:			PENDANT	SEE TABLE	CONC	RA3415	OS-56	1/2"	5.6	165	●	13					
			AIR COMP MODEL: N/A	PIPE WALL SCHEDULE	FIRE PUMP		DRY SIDEWALL	BRONZE	N/A	R8734	F3QR56	3/4"	5.6	200	●	2					
			AIR COMP SIZE: N/A	LINES:	RATED PRESSURE: N/A P.S.I.		UPRIGHT	BRASS	N/A	RA1426	F1FR56	1/2"	5.6	200	●	2					
			AIR COMP VOLT: N/A	MANNS:	RATED FLOW: N/A GPM																
				SPECIALS:																	

**PROJECT MANAGER: COLIN QUIST**  
N.I.C.E.T. CERTIFIED FIRE SPRINKLER SYSTEM DESIGNERS

DESIGNERS - CONTRACTORS - CONSULTANTS - INSPECTION - MAINTENANCE

Qual Cities: 1216 W 78th Street, Des Moines, IA 50308  
 Cedar Rapids: 2200 SE 44th Court, Cedar Rapids, IA 52404  
 Waukegan: 11078 Waukegan, IL 60087

Mid Atlantic: 1743 Dorsey Road, Baltimore, MD 21076  
 Dallas: 384-2685  
 Phoenix: 336-2373

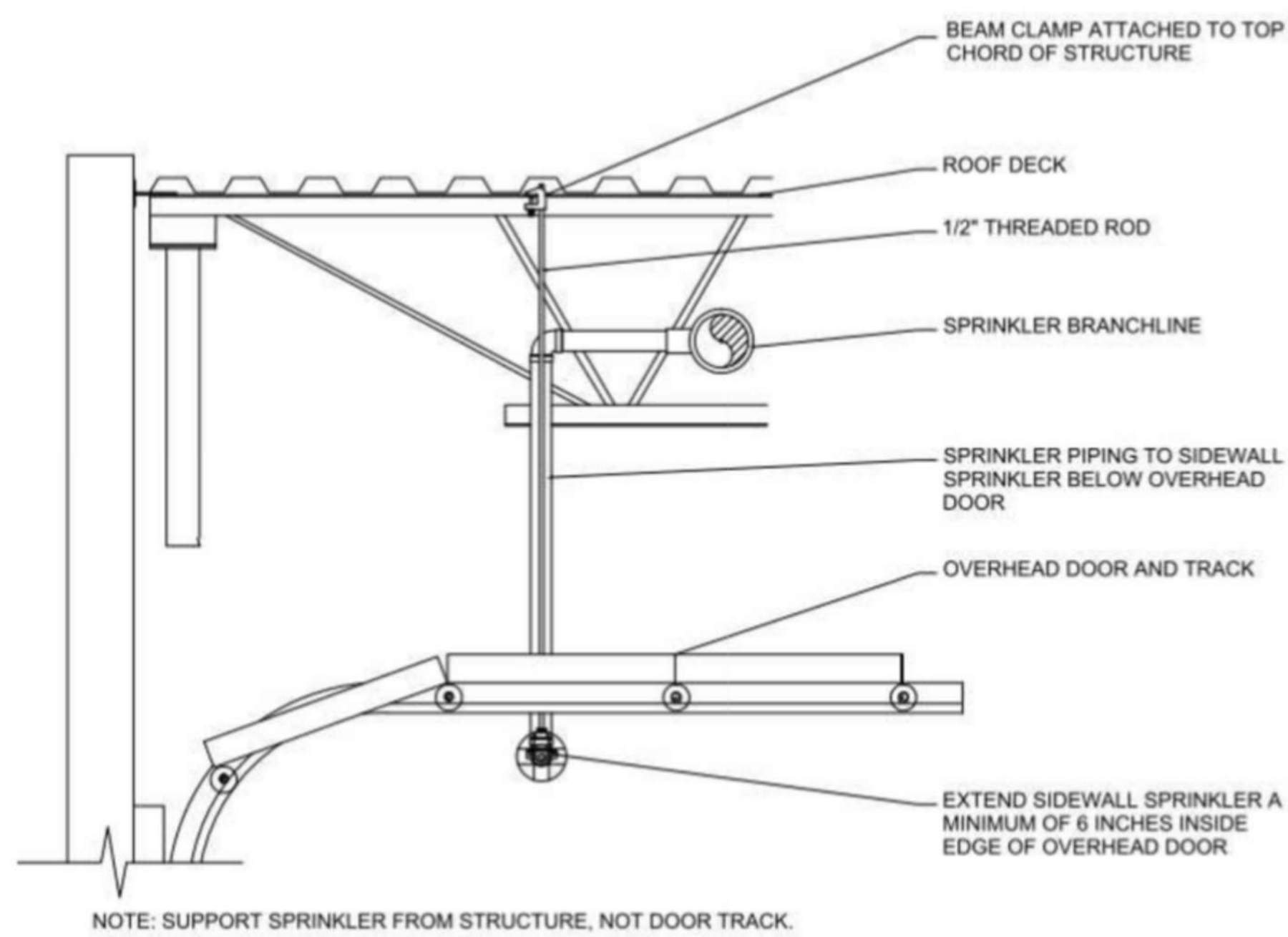
Omaha: 4518 South 132nd Street, Omaha, NE 68137  
 Phoenix: 402-330-5170  
 Phoenix: 402-330-2373  
 www.Continental-Fire.com

DESIGNER: COLIN QUIST  
 INSURANCE AUTHORITY REFERENCE NUMBER:  
 NEBRASKA - 11078, ILLINOIS - FSC 0157, MARYLAND - 10462786, VIRGINIA - 2705112887  
 IOWA - FIB 0776, MINNESOTA - C-008, DELAWARE - 201903285, W. VIRGINIA - WY060374  
 WISCONSIN - 904671, D.C. - 41951700037

Continental Fire Sprinkler Company

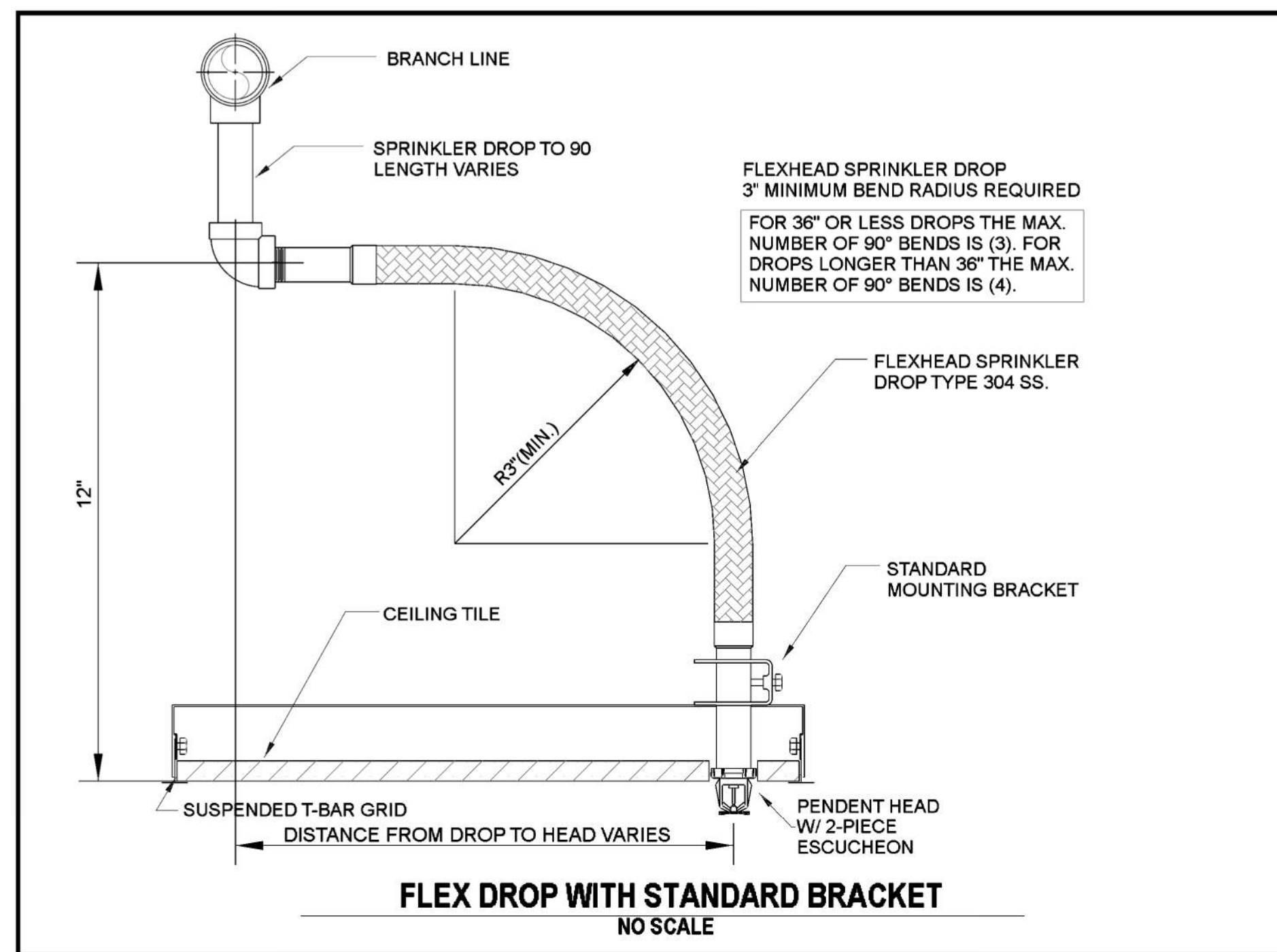
GRAPHICAL SCALE  
2' 4' 6' 8' 10' 12' 14' 16' 18' 20'

CONTRACT NAME  
**HY-VEE LEE'S SUMMIT #2**  
310 SW WARD RD  
LEE'S SUMMIT, MO 64081



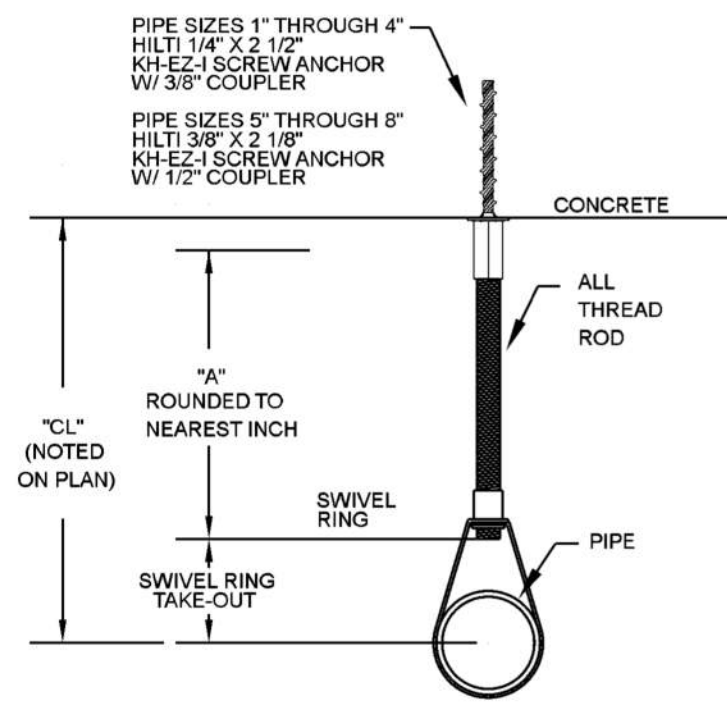
NOTE: SUPPORT SPRINKLER FROM STRUCTURE, NOT DOOR TRACK.

OVERHEAD DOOR SPRINKLER DETAIL NTS



AREA	HAZARD CLASSIFICATION	SPRINKLER TYPE	SPRINKLER FINISH
SALES FLOOR	ORDINARY HAZARD (GROUP 2)	RECESSED	CHROME
ENTRANCE VESTIBULE	LIGHT HAZARD	DRY RECESSED PENDENT	CHROME
PUBLIC RESTROOMS	LIGHT HAZARD	RECESSED	CHROME
KITCHEN (SERVICE AREA)	ORDINARY HAZARD (GROUP 1)	RECESSED	CHROME
CLOUDS	ORDINARY HAZARD	UPRIGHT (ABOVE), CONCEALED	CHROME (ABOVE), CUSTOM COLOR
PHARMACY	LIGHT HAZARD	RECESSED	CHROME
DELICATESSEN	ORDINARY HAZARD (GROUP 1)	UPRIGHT, RECESSED	CHROME
MEAT DEPARTMENT	ORDINARY HAZARD (GROUP 1)	RECESSED	CHROME
FREEZERS AND COOLERS	ORDINARY HAZARD (GROUP 2)	DRY PENDENT	CHROME
OFFICE AREAS	LIGHT HAZARD	RECESSED	CHROME
COMMUNICATIONS CLOSET	ORDINARY HAZARD (GROUP 1)	UPRIGHT, RECESSED	CHROME, ROUGH BRASS
JANITOR CLOSET	ORDINARY HAZARD (GROUP 1)	RECESSED	ROUGH BRASS
MECHANICAL/ELECTRICAL ROOMS	ORDINARY HAZARD (GROUP 1)	RECESSED	ROUGH BRASS
LOADING DOCK/BACKROOM STORAGE	NFPA 13 STORAGE CRITERIA	RECESSED	ROUGH BRASS
SWEET SHOP	ORDINARY HAZARD (GROUP 2)	UPRIGHT, CONCEALED	CHROME, CUSTOM COLOR
WINE ROOM	ORDINARY HAZARD (GROUP 1)	CONCEALED	CUSTOM COLOR
APPAREL FITTING	LIGHT HAZARD	CONCEALED	WHITE
GENERATOR ROOM	0.3 GPM/SF OVER ROOM/AREA	DRY SIDEWALL	ROUGH BRASS

- NOTES:
- FOR AREAS NOT LISTED ON THIS MATRIX OR IN SPECIFICATIONS, CONTRACTOR SHALL VERIFY SPRINKLER TYPES/FINISHES WITH CM PRIOR TO BID.
  - CONTRACTOR SHALL VERIFY AND COORDINATE COMMODITY CLASSIFICATION AND STORAGE CONFIGURATION PRIOR TO BID AND INSTALLATION. CONTRACTOR IS RESPONSIBLE FOR INSTALLATION MEETING NFPA 13 REQUIREMENTS BASED ON STORAGE/HAZARD CONFIGURATION.
  - INSTALL WIRE GUARDS ON ALL SPRINKLERS INSTALLED BELOW 7' AFF OR AREAS SUBJECT TO DAMAGE.
  - CONTRACTOR SHALL DETERMINE FINAL HAZARD CLASSIFICATIONS BASED ON NFPA 13 AND LOCAL CODES.
  - ALL SPRINKLERS SHALL BE QUICK RESPONSE.

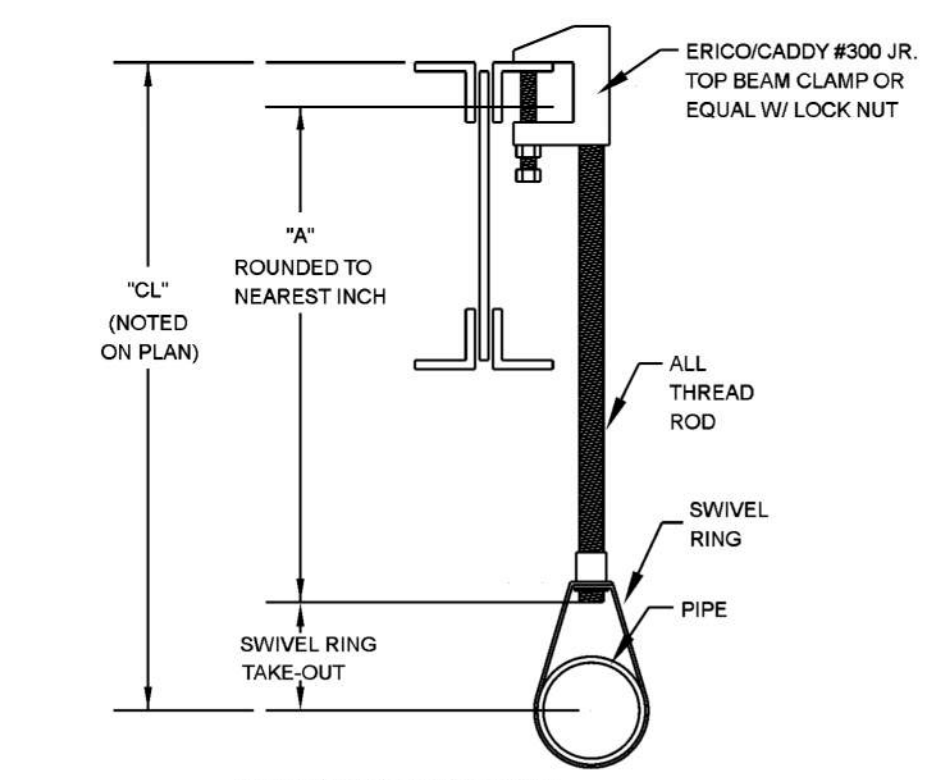


NOTE ON PLAN: "A" DIMENSION

PIPE SIZES 1" THROUGH 4" - ROD SIZE 3/8"

PIPE SIZES 5" THROUGH 8" - ROD SIZE 1/2"

TYPE "K4" HANGER NO SCALE

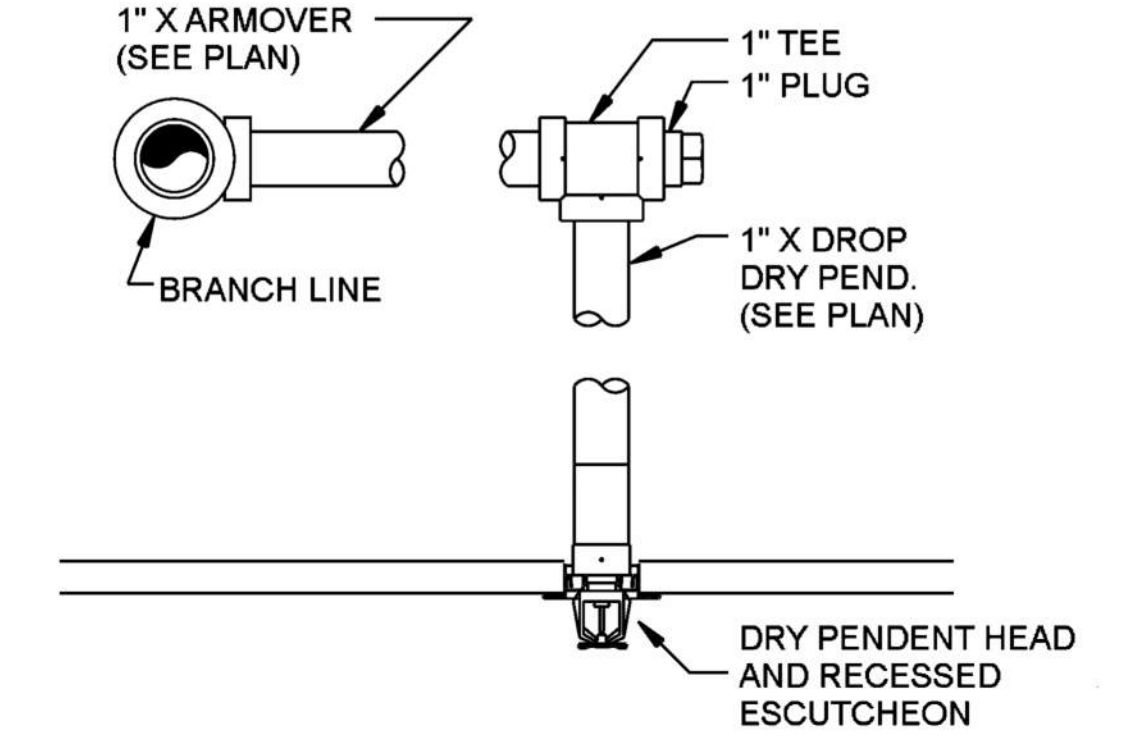
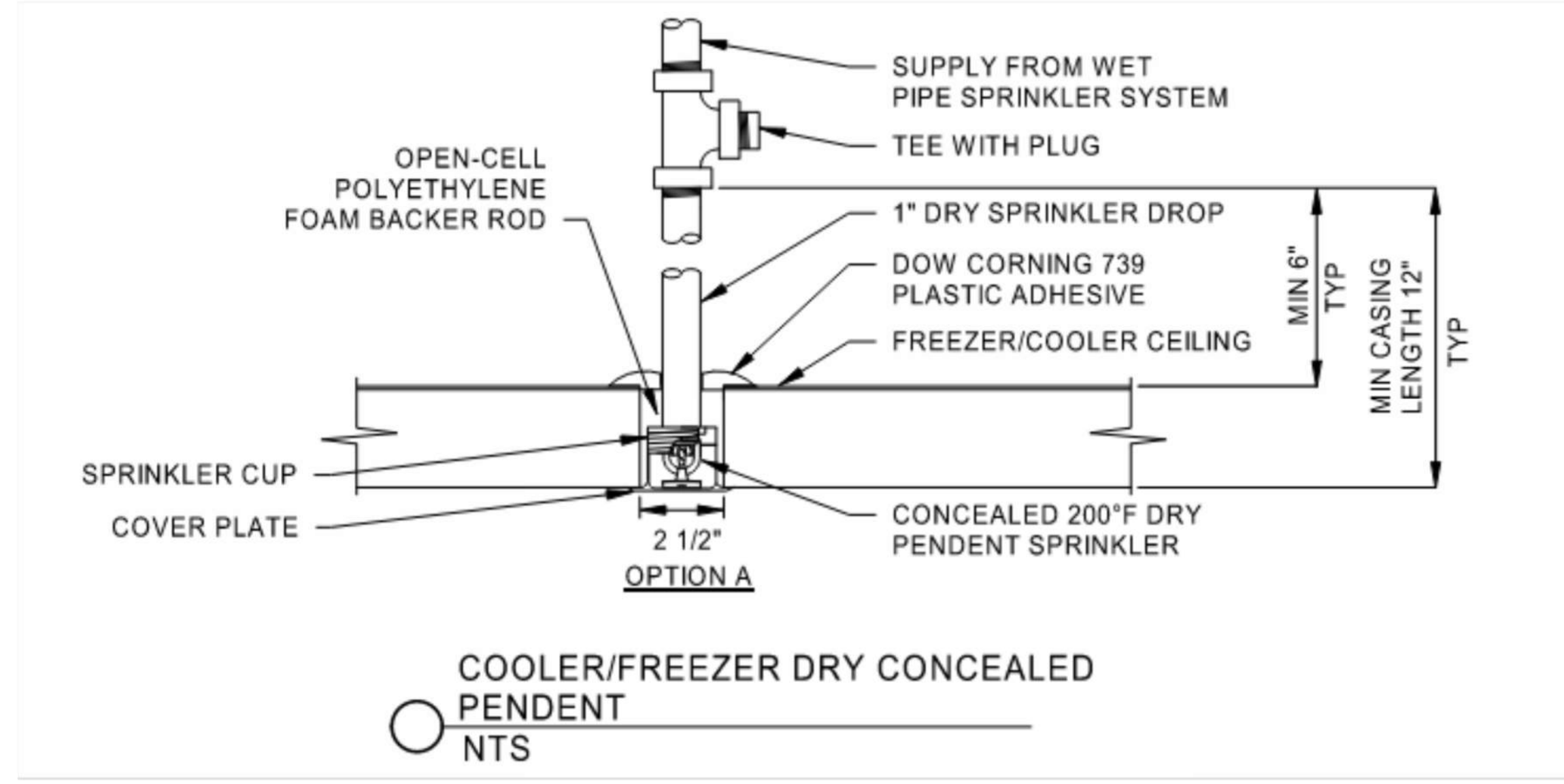
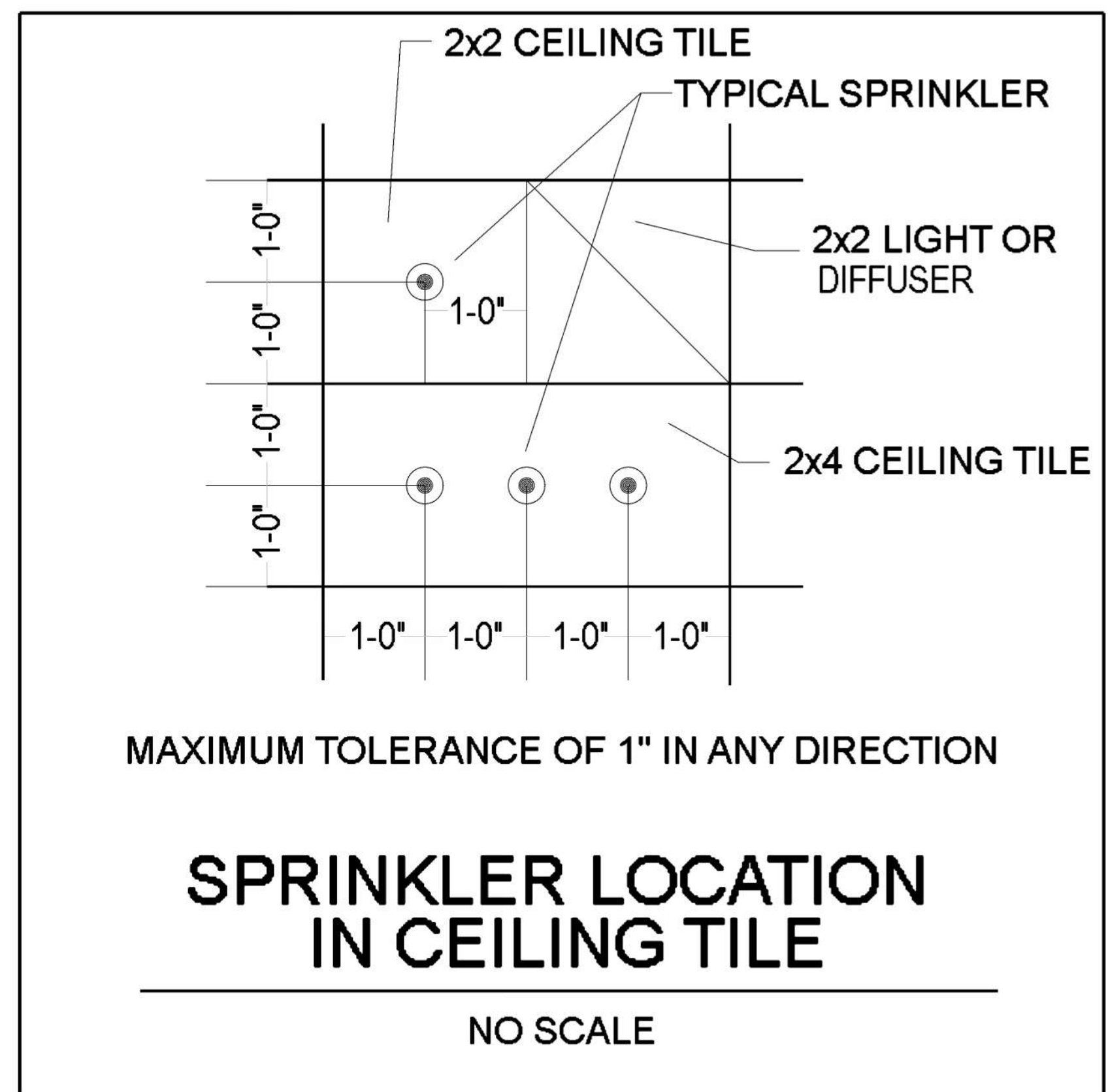


NOTE ON PLAN: "A" DIMENSION

PIPE SIZES 1" THROUGH 4" - ROD SIZE 3/8"

PIPE SIZES 5" THROUGH 8" - ROD SIZE 1/2"

TYPE "A" HANGER NO SCALE



DRY RECESSED PENDENT ARMOVER DETAIL NO SCALE

- DRY SYSTEM NOTES:
- ALL BRANCH LINE PIPE SHALL SLOPE 1/2" PER 10'-0" RUN MINIMUM TO THE RISER OR AN AUXILIARY DRAIN.
  - ALL MAIN PIPE SHALL SLOPE 1/4" PER 10'-0" RUN MINIMUM TO THE RISER OR AN AUXILIARY DRAIN.
  - ALL MAIN PIPE IN FREEZER SHALL SLOPE 1/2" PER 10'-0" RUN MINIMUM
  - ALL PIPE ON THE SUPPLY SIDE OF THE DRY PIPE VALVE SHALL BE INSTALLED IN A HEATED AREA.
  - IT SHALL BE THE OWNERS RESPONSIBILITY TO MAINTAIN SUFFICIENT HEAT TO PREVENT FREEZING OF WATER IN PIPE ON THE SUPPLY SIDE OF THE DRY PIPE VALVE.
  - A SYSTEM SIZE OF LESS THAN 500 GALLONS SHALL BE PERMITTED WITHOUT A QUICK OPENING DEVICE AND SHALL NOT BE REQUIRED TO MEET ANY SPECIFIC DELIVERY TIME TO A TEST OUTLET.

IT IS THE RESPONSIBILITY OF THE OWNER TO PROVIDE THE HEAT REQUIRED TO MAINTAIN A MINIMUM TEMPERATURE OF 40°F IN THE STRUCTURE TO PREVENT FREEZING OF ANY WATER IN THE SPRINKLER SYSTEM.

NO.	DATE	REVISION	DRY SYSTEM INFO	STOCKLIST INFO	WATER SUPPLY	APPROVALS	SPRINKLER TYPE	FINISH	ESC.	SN	MODEL	NPT	K	TEMP	SYM	QTY
			CAPACITY: N/A GALLONS	COLOR CODE:	STATIC: 93 P.S.I.	OWNER:										
			REQD TO MEET 55 SEC: N/A	LINE NO. TO:	RESIDUAL: 48 P.S.I.	CITY:										
			GOOD RECD: N/A	MAIN NO. TO:	FLOW: 1700 GPM											
			AIR COMP MANF: N/A	BUY AMERICAN:	TEST DATE: 01-28-2021											
			AIR COMP MODEL: N/A	PIPE WALL SCHEDULE:	FIRE PUMP											
			AIR COMP SIZE: N/A	LINE:	RATED PRESSURE: N/A P.S.I.											
			AIR COMP VOLT: N/A	MAINS:	RATED FLOW: N/A GPM											
				SPECIALS:												
TOTAL SPRINKLERS THIS DRAWING																

SYSTEM TYPE	SCALE	TOTAL SPRINKLERS THIS PROJECT	PIPE SIZED	CONTRACT NUMBER
N/A	N/A	318	HYDRAULIC CALC	20217
DATE: 02/05/21				
PROJECT MANAGER: COLIN QUIST				
N.I.C.E.T. CERTIFIED FIRE SPRINKLER SYSTEM DESIGNERS				
DESIGNERS - CONTRACTORS - CONSULTANTS - INSPECTION - MAINTENANCE				

**Continental Fire Sprinkler Company**

Qual Cities: 1216 W. 76th Street, Des Moines, IA 50309  
 Des Moines: 2200 SE 44th Court, Grimes, IA 50111  
 Cedar Rapids: 5615 4th St SW, Cedar Rapids, IA 52404  
 Mid Atlantic: 1742 Dorsey Road, Suite A-C, Harford, MD 21076

Omaha: 4518 South 133rd Street, Omaha, NE 68137  
 P: (402) 330-5170  
 F: (402) 330-2373  
 www.Continental-Fire.com

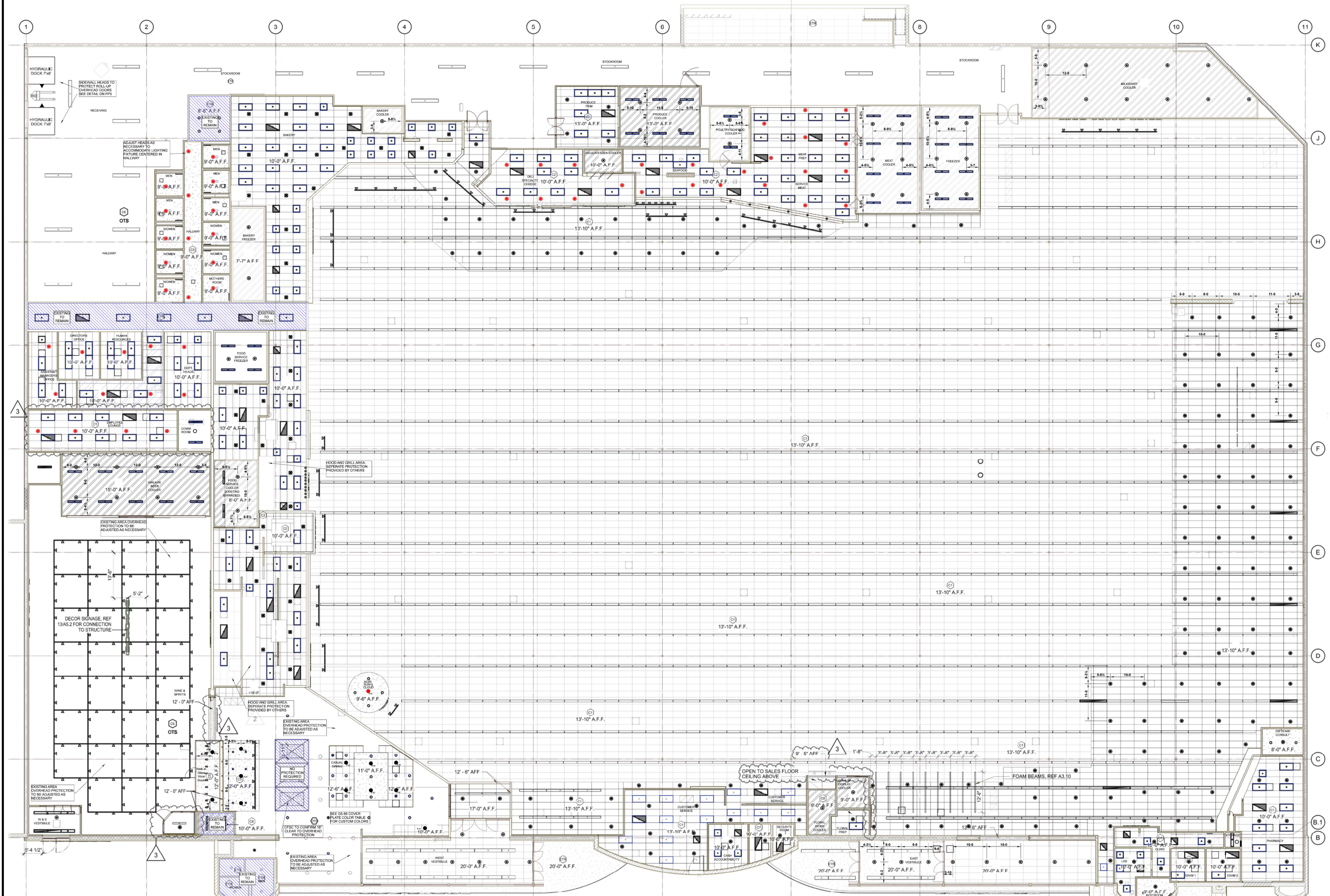
GRAPHICAL SCALE

CONTRACT NAME: **HY-VEE LEE'S SUMMIT #2**  
**310 SW WARD RD**  
**LEE'S SUMMIT, MO 64081**

SHEET **FP3** OF **3**

**FOREMAN GENERAL NOTES:**

- USE HARD PIPE CONNECTIONS FOR ALL UPRIGHTS
- USE HARD PIPE CONNECTIONS FOR ALL DRY PENDENTS
- USE FLEXIBLE PIPE CONNECTIONS FOR ALL PENDENTS



**1 CURRENT AS-BUILT  
FIRE PROTECTION PLAN**  
SCALE: 3/32" = 1'-0"

**INDICATES HEAD  
READY FOR PRE-ROCK  
INSPECTION**

05-68 COVERPLATE COLOR TABLE

SYM	COLOR	QTY
●-10	SW 7048 URBANE BRONZE	3
●-21	SW 0077 CLASSIC FRENCH GRAY	10

IT IS THE RESPONSIBILITY OF THE OWNER TO PROVIDE THE HEAT REQUIRED TO MAINTAIN A MINIMUM TEMPERATURE OF 40°F IN THE STRUCTURE TO PREVENT FREEZING OF ANY WATER IN THE SPRINKLER SYSTEM.

NO.	DATE	REVISION	DRY SYSTEM INFO	STOCKLIST INFO	WATER SUPPLY	APPROVALS	SPRINKLER TYPE	FINISH	ESC.	SN	MODEL	NPT	K	TEMP	SYM	QTY	SYSTEM TYPE	SCALE	TOTAL SPRINKLERS THIS PROJECT	PIPE SIZED	CONTRACT NUMBER
			CAPACITY: N/A GALLONS	COLOR CODE:	STATIC: 93 P.S.I.	OWNER:	PENDANT	CHR	REC	RA1414	F1FR56	1/2"	5.6	165	●	200	WET/ DRY	3/32" = 1'-0"	318	HYDRAULIC CALC	20217
			REQ'D TO MEET 68 SEC. N/A	LINE NO. TO	RESIDUAL: 48 P.S.I.	CITY:	PENDANT	CHR	REC	RA1414	F1FR56	1/2"	5.6	200	●	41					
			GOOD REG'D. N/A	MAIN NO. TO	FLOW: 1700 GPM	TEST DATE: 01-28-2021	DRY PEND	CHR	REC	RA1414	F3QR56	1"	5.6	200	●	60					
			AIR COMP MANF. N/A	BUY AMERICAN			PENDANT	SEE TABLE	CONC	RA3415	OS-56	1/2"	5.6	165	●	13					
			AIR COMP MODEL N/A	PIPE WALL SCHEDULE	FIRE PUMP		DRY SIDEWALL	BRONZE	N/A	R8734	F3QR56	3/4"	5.6	200	●	2					
			AIR COMP SIZE N/A	LINE:	RATED PRESSURE N/A P.S.I.		UPRIGHT	BRASS	N/A	RA1426	F1FR56	1/2"	5.6	200	●	2					
			AIR COMP VOLT N/A	MANIF:	RATED FLOW N/A GPM																
				SPECIALS:																	

PROJECT MANAGER: COLIN QUIST  
N.I.C.E.T. CERTIFIED FIRE SPRINKLER SYSTEM DESIGNERS  
SYSTEM DESIGNED BY: COLIN QUIST  
INSURANCE AUTHORITY REFERENCE NUMBER:  
STATE CONTRACTOR LICENSE NUMBER:  
NEBRASKA - 11078 ILLINOIS - FSC 0157 MARYLAND - 10462786 VIRGINIA - 270511287  
IOWA - FIB 0776 MINNESOTA - C-008 DELAWARE - 201600285 W. VIRGINIA - WY060374  
WISCONSIN - 904671 15-119 D.C. - 41951700037

**Continental**  
Fire Sprinkler Company

Omaha - 4518 South 132nd Street  
Omaha, NE 68137  
P: (402) 330-5170  
F: (402) 330-2373  
www.Continental-Fire.com

Des Moines - 2200 SE 44th Court  
Grimes, IA 50111  
P: (563) 388-8000  
F: (515) 985-0863  
P: (515) 985-3406

Cedar Rapids - 5615 4th St SE  
364  
Cedar Rapids, IA 52404  
P: (319) 364-2685  
F: (319) 338-0342

Mid Atlantic - 1743 Dorsey Road  
Baltimore, MD 21076  
P: (443) 764-2075  
F: (410) 538-0342

GRAPHICAL SCALE  
2' 4' 6' 8' 10' 12' 14' 16' 18' 20'

CONTRACT NAME  
**HY-VEE LEE'S SUMMIT #2**  
310 SW WARD RD  
LEE'S SUMMIT, MO 64081