



ms consultants, inc.
engineers, architects, planners
2221 Schrock Road
Columbus, Ohio 43229
p 614.898.7100
f 614.898.7570
www.msconsultants.com

**WHATABURGER 20-M
LEE'S SUMMIT**

1460 NE DOUGLAS ST
LEE'S SUMMIT, MO



NOTICE: THIS ARCHITECTURAL AND ENGINEERING DRAWING IS GIVEN IN CONFIDENCE AND SHALL BE USED ONLY PURSUANT TO THE AGREEMENT WITH THE ARCHITECT. NO OTHER USE, DISSEMINATION, OR DUPLICATION MAY BE MADE WITHOUT PRIOR WRITTEN CONSENT OF THE ARCHITECT. ALL COMMON LAW RIGHTS OF COPYRIGHT AND OTHERWISE ARE HEREBY SPECIFICALLY RESERVED.



12/22/20
PROFESSIONAL OF RECORD:
JASON E. CHRISTOFF No. 2012002143
EXP DATE: 12/31/20

| REV | DESCRIPTION | DATE |
|-----|-------------|------|
| | | |
| | | |
| | | |
| | | |

Project No.: 62-40497-01

Client Project No.:

Drawing Title:

PLUMBING SYMBOLS AND ABBREVIATIONS

Date: 12/22/2020 Phase: BID SET

Designed: DCU Drawing No.:

Drawn: DCU

Checked: KFF

P0.1

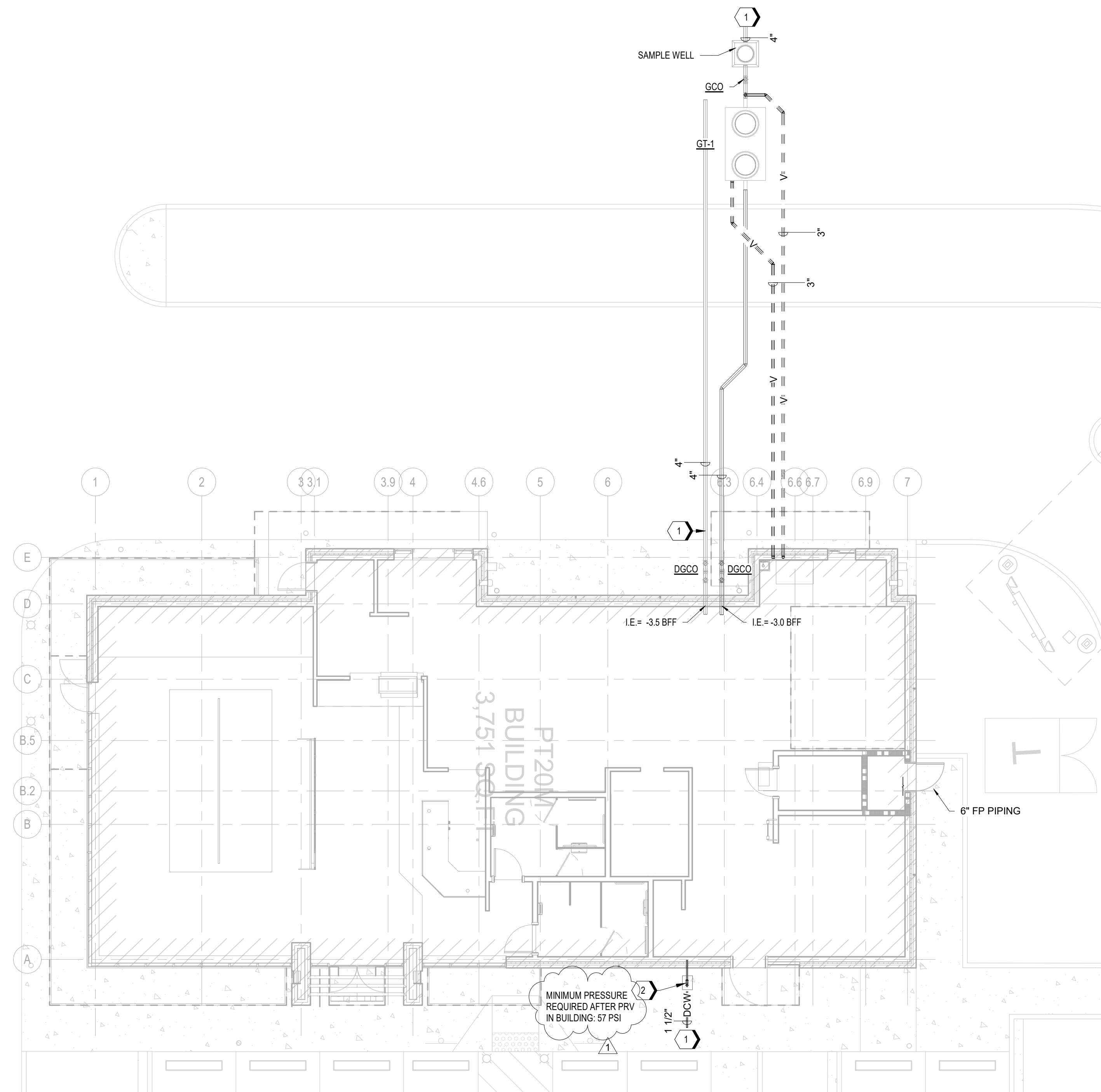
| ABBREVIATIONS | | (SOME SYMBOLS MAY NOT BE USED ON THE DRAWINGS) | | PLUMBING SYMBOLS | | PIPING SYMBOLS | | PIPING LABELS | |
|---------------|--------------------------------|--|--|------------------|---|----------------|-------------------------------------|---------------|----------------------------------|
| ABV | ABOVE | NIC | NOT IN CONTRACT | | FLOOR SINK DRAIN | | DIFFERENTIAL PRESSURE TAPS | | SANITARY WASTE |
| ADJ | ADJUSTABLE | NO | NORMALLY OPEN | | FLOOR DRAIN WITH P-TRAP | | OS&Y VALVE | | SANITARY VENT |
| AFC | ABOVE FINISHED CEILING | NTS | NOT TO SCALE | | P-TRAP | | CHECK VALVE | | GREASE WASTE |
| AFF | ABOVE FINISHED FLOOR | OC | ON CENTER | | ROOF DRAIN / OVERFLOW DRAIN | | PRESSURE REDUCING VALVE | | CONDENSATE DRAIN |
| AFG | ABOVE FINISHED GRADE | OH | OVERHEAD | | HOSE BIB/WALL HYDRANT | | PLUG VALVE | | ACID WASTE |
| ARCH | ARCHITECT, ARCHITECTURAL | ORD | OVERFLOW ROOF DRAIN | | AIR OUTLET | | BUTTERFLY VALVE | | ACID VENT |
| AV | ACID VENT | PH | PHASE | | WATER HAMMER ARRESTOR, SIZED PER PLUMBING AND DRAINAGE INSTITUTE (PDI) REQUIREMENTS | | PIPE SUPPORT | | NON-POTABLE WATER |
| AVG | AVERAGE | PLBG | PLUMBING | | CLEANOUT | | 2-WAY SELF-OPERATING VALVE | | DOMESTIC COLD WATER |
| AW | ACID WASTE | PSI | POUNDS PER SQUARE INCH | | PLUMBING FIXTURES | | 3-WAY SELF-OPERATING VALVE | | DOMESTIC HOT WATER |
| BFF | BELOW FINISHED FLOOR | PRV | PRESSURE RELIEF VALVE, PRESSURE REDUCING VALVE | | NEW EQUIPMENT (SIZE, SHAPE WILL VARY) | | MOTOR OPERATED VALVE | | DOMESTIC HOT WATER RECIRCULATION |
| BLDG | BUILDING | PVC | POLYVINYL CHLORIDE | | RECIRCULATING PUMP | | SOLENOID VALVE | | REVERSE OSMOSIS WATER |
| BOP | BOTTOM OF PIPE | QTY | QUANTITY | | COMPRESSED AIR DROP WITH FILTER REGULATOR AND QUICK DISCONNECT | | PNEUMATIC OPERATING VALVE | | SOFT WATER |
| BOS | BOTTOM OF STRUCTURE | RD | ROOF DRAIN | | POST HYDRANT | | GAUGE COCK | | COMPRESSED AIR (PRESSURE NOTED) |
| BTU | BRITISH THERMAL UNIT | RE | REFERENCE, REFER | | TRAP PRIMER VALVE | | PIPE GUIDE | | NATURAL GAS |
| CAP | CAPACITY | RECIRC | RECIRCULATE | | | | PIPE CAP | | PROPANE GAS |
| CFH | CUBIC FEET PER HOUR | REINF | REINFORCING | | | | FLOW SWITCH | | TRENCH DRAIN LINE |
| CFM | CUBIC FEET PER MINUTE | REQD | REQUIRED | | | | PRESSURE SWITCH | | ROOF DRAIN |
| CI | CAST IRON | REV | REVISION, REVISE | | | | T&P RELIEF VALVE | | OVERFLOW DRAIN |
| CIRC | CIRCULATING | RM | ROOM | | | | PRESSURE GAUGE WITH GAUGE COCK | | NON-POTABLE WATER |
| CLG | CENTERLINE | RPM | REVOLUTIONS PER MINUTE | | | | THERMOMETER | | TRAP PRIMER |
| CO | CLEANOUT | SEC | SECONDS | | | | THERMOMETER WELL | | REVERSE OSMOSIS WATER |
| CPVC | CHLORINATED POLYVINYL CHLORIDE | SF | SQUARE FEET | | | | PRESSURE LIMITING VALVE | | SOFT WATER |
| CW | COLD WATER | SIM | SIMILAR | | | | PETE'S PLUG | | COMPRESSED AIR (PRESSURE NOTED) |
| DCW | DOMESTIC COLD WATER | SQ | SQUARE | | | | FIRE SPRINKLER HEAD | | NATURAL GAS |
| DGCO | DOUBLE GRADE CLEANOUT | SS | STAINLESS STEEL | | | | PIPE CLEAN OUT | | PROPANE GAS |
| DEG | DEGREES | STD | STANDARD | | | | WALL CLEANOUT | | TRENCH DRAIN LINE |
| DIA | DIAMETER | STL | STEEL | | | | REDUCED PRESSURE BACKFLOW PREVENTER | | ROOF DRAIN |
| DIM | DIMENSION | SUSP | SUSPEND | | | | THERMOSTATIC MIXING VALVE | | OVERFLOW DRAIN |
| DN | DOWN | TEMP | TEMPERATURE | | | | | | NON-POTABLE WATER |
| DS | DOWNSPOUT | THRU | THROUGH | | | | | | TRAP PRIMER |
| DWG | DRAWING | TP | TRAP PRIMER | | | | | | REVERSE OSMOSIS WATER |
| EA | EACH | TYP | TYPICAL | | | | | | VACUUM |
| ELEC | ELECTRICAL | UIF | UNDERFLOOR | | | | | | |
| ELEV | ELEVATION | UIG | UNDERGROUND | | | | | | |
| EQUIP | EQUIPMENT | UIS | UNDERSLAB | | | | | | |
| EWB | ENTERING WET BULB | UON | UNLESS OTHERWISE NOTED | | | | | | |
| EWC | ELECTRICAL WATER COOLER | UR | URINAL | | | | | | |
| EXIST | EXISTING | V | VENT | | | | | | |
| FCO | FLOOR CLEANOUT | VAC | VACUUM | | | | | | |
| FD | FLOOR DRAIN | VERT | VERTICAL | | | | | | |
| FL | FLOW LINE | VFD | VARIABLE FREQUENCY DRIVE | | | | | | |
| FLR | FLOOR | VTR | VENT THROUGH ROOF | | | | | | |
| FS | FLOOR SINK | W | WATT, WIDTH | | | | | | |
| F/A | FROM ABOVE | W/O | WITHOUT | | | | | | |
| F/B | FROM BELOW | WC | WATER CLOSET, WATER COLUMN | | | | | | |
| FT | FOOT, FEET | WH | WALL HYDRANT | | | | | | |
| GND | GROUND | WT | WEIGHT | | | | | | |
| G | NATURAL GAS | | | | | | | | |
| GA | GAUGE | | | | | | | | |
| GAL | GALLON | | | | | | | | |
| GALV | GALVANIZED | | | | | | | | |
| GC | GENERAL CONTRACTOR | | | | | | | | |
| GCO | GRADE CLEANOUT | | | | | | | | |
| GPH | GALLONS PER HOUR | | | | | | | | |
| GPM | GALLONS PER MINUTE | | | | | | | | |
| GT | GREASE TRAP/INTERCEPTOR | | | | | | | | |
| GW | GREASE WASTE | | | | | | | | |
| HD | HUB DRAIN | | | | | | | | |
| HOR | HORIZONTAL | | | | | | | | |
| HP | HORSEPOWER | | | | | | | | |
| HTG | HEATING | | | | | | | | |
| IE | INVERT ELEVATION | | | | | | | | |
| IN | INCH | | | | | | | | |
| WC | WATER COLUMN | | | | | | | | |
| KW | KILOWATT | | | | | | | | |
| L | LENGTH | | | | | | | | |
| LAV | LAVATORY | | | | | | | | |
| LB | POUNDS | | | | | | | | |
| LF | LINEAR FEET | | | | | | | | |
| MAN | MANUAL | | | | | | | | |
| MAX | MAXIMUM | | | | | | | | |
| MECH | MECHANICAL | | | | | | | | |
| MFG | MANUFACTURER | | | | | | | | |
| MIN | MINIMUM | | | | | | | | |
| MS | MOP SINK | | | | | | | | |
| N/A | NOT APPLICABLE | | | | | | | | |
| NC | NORMALLY CLOSED | | | | | | | | |

SHEET SYMBOLS

| | | |
|--|---------------------------------------|---------------------------------------|
| | TYPE OF SERVICE (I.E. HW = HOT WATER) | RISER BUBBLE |
| | AHL-1 OR RTU-XXX | EQUIPMENT TAG |
| | | AIR FLOW INDICATOR |
| | | NOTE BY SYMBOL (KEYNOTE) |
| | | REVISION |
| | | POINT OF CONNECTION (NEW TO EXISTING) |
| | | POINT OF DISCONNECTION |

C:\Backup\Revit\WB-Lees Summit\MO_Y18_PLBG_200921.dwg

12/27/2021 4:23:09 PM



B1 PLUMBING SITE PLAN
1/8" = 1'-0"

GENERAL NOTES

- A. REFER TO P0.1 FOR GENERAL NOTES, SYMBOLS, AND ABBREVIATIONS.
- B. REFER TO CIVIL DRAWINGS FOR ADDITIONAL PLAN AND DETAIL INFORMATION.

KEYNOTES

- 1. REFERENCE CIVIL FOR CONTINUATION.
- 2. MAIN SHUT-OFF VALVE IN CAST IRON BOX.



ms consultants, inc.
engineers, architects, planners
2221 Schrock Road
Columbus, Ohio 43229
p 614.898.7100
f 614.898.7570
www.msconsultants.com

**WHATABURGER 20-M
LEE'S SUMMIT**

1460 NE DOUGLAS ST
LEE'S SUMMIT, MO



NOTICE: THIS ARCHITECTURAL AND ENGINEERING DRAWING IS GIVEN IN CONFIDENCE AND SHALL BE USED ONLY PURSUANT TO THE AGREEMENT WITH THE ARCHITECT. NO OTHER USE, DISSEMINATION, OR DUPLICATION MAY BE MADE WITHOUT PRIOR WRITTEN CONSENT OF THE ARCHITECT. ALL COMMON LAW RIGHTS OF COPYRIGHT AND OTHERWISE ARE HEREBY SPECIFICALLY RESERVED.



12/22/20
PROFESSIONAL OF RECORD:
JASON E. CHRISTOFF No.20012002143
EXP DATE: 12/31/20

| REV | DESCRIPTION | DATE |
|-----|-------------------|----------|
| 1 | REV-1 Plan Review | 01/27/21 |
| | | |
| | | |

Project No.: 62-40497-01

Client Project No.:

Drawing Title:

PLUMBING SITE PLAN

Date: 12/22/2020 Phase: BID SET

Designed: DCU Drawing No.:

Drawn: DCU

Checked: KFF

P1.0

GENERAL NOTES

- A. REFER TO P0.1 FOR GENERAL NOTES, SYMBOLS, AND ABBREVIATIONS.
- B. REFER TO PLUMBING RISER DIAGRAMS AND SCHEDULES FOR ADDITIONAL PIPE ROUTING AND SIZING.
- C. PROVIDE ASSE-1070 CERTIFIED THERMOSTATIC MIXING VALVES AT ALL LAVATORIES AND HANDSINKS. REFER TO PLUMBING SCHEDULES.



ms consultants, inc.
engineers, architects, planners
2221 Schrock Road
Columbus, Ohio 43229
p 614.898.7100
f 614.898.7570
www.msconsultants.com

KEYNOTES

- 1. NORMALLY CLOSED BALL VALVE
- 2. 1-1/2" DOMESTIC WATER ENTRY REFER TO SHEETS P1.0 AND P3.1 FOR ADDITIONAL INFORMATION. PROVIDE PRESSURE REDUCING VALVE IN AN ACCESSIBLE LOCATION. SET TO VALVE TO PROVIDE A MINIMUM PRESSURE OF 55 PSI.
- 3. ROUTE DOMESTIC HOT WATER LOOP DOWN IN WALL TO BEHIND FIXTURE STOPS.
- 4. ROUTE 3/8" DCW DOWN IN WALL TO SHAKE MACHINE. PROVIDE STUB-OUT AT 24" AFF.
- 5. ROUTE 1/2" FW DOWN IN WALL AND PROVIDE STUB-OUT WITH SHUT-OFF VALVE AT ICE MACHINE CONNECTION(S), APPROXIMATELY 62" AFF.
- 6. ROUTE 1/2" FW DOWN IN WALL AND PROVIDE (2) 3/8" STUB-OUT CONNECTIONS WITH SHUT-OFF VALVES AT 48" AFF FOR COFFEE AND TEA BREWERS.
- 7. PROVIDE 3/4" DCW STUB-OUT CONNECTION WITH SHUT-OFF VALVE AT 84" AFF FOR FILTER SYSTEM.
- 8. 1" DCW UP TO ROOF HYDRANT. ROUTE DRAIN FULL-SIZED TO DISCHARGE INTO MOP SINK.
- 9. PROVIDE 1/2" CW & HW TO WF-1 WALL MTD FAUCET AT 60" A.F.F. (WITH SHUT-OFF VALVES).

**WHATABURGER 20-M
LEE'S SUMMIT**

1460 NE DOUGLAS ST
LEE'S SUMMIT, MO



NOTICE: THIS ARCHITECTURAL AND ENGINEERING DRAWING IS GIVEN IN CONFIDENCE AND SHALL BE USED ONLY PURSUANT TO THE AGREEMENT WITH THE ARCHITECT. NO OTHER USE, DISSEMINATION, OR DUPLICATION MAY BE MADE WITHOUT PRIOR WRITTEN CONSENT OF THE ARCHITECT. ALL COMMON LAW RIGHTS OF COPYRIGHT AND OTHERWISE ARE HEREBY SPECIFICALLY RESERVED.



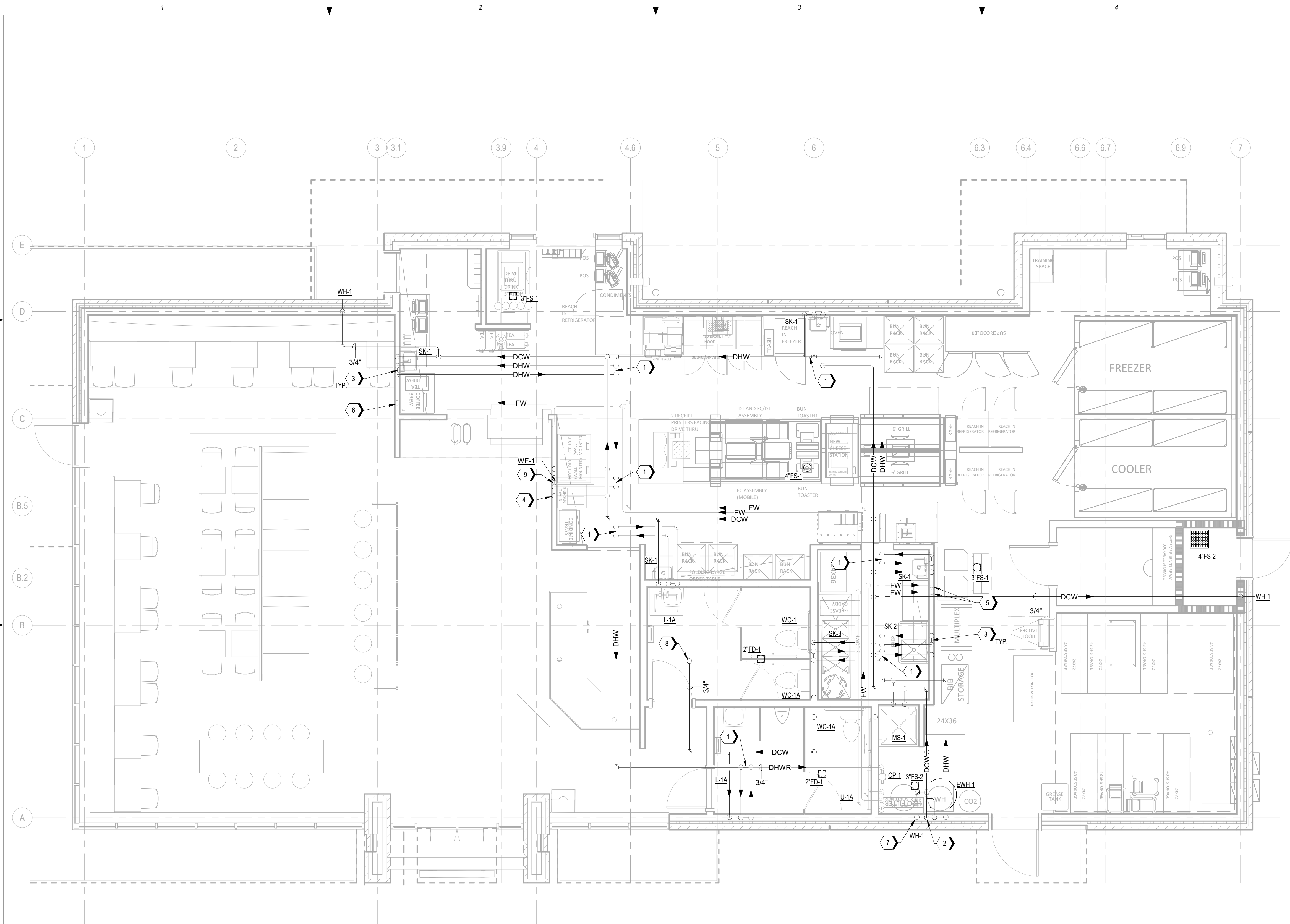
12/22/20
PROFESSIONAL OF RECORD:
JASON E. CHRISTOFF No.20012002143
EXP DATE: 12/31/20

| REV | DESCRIPTION | DATE |
|-----|-------------------|----------|
| 1 | REV-1 Plan Review | 01/27/21 |
| | | |
| | | |
| | | |

Project No.: 62-40497-01
Client Project No.:

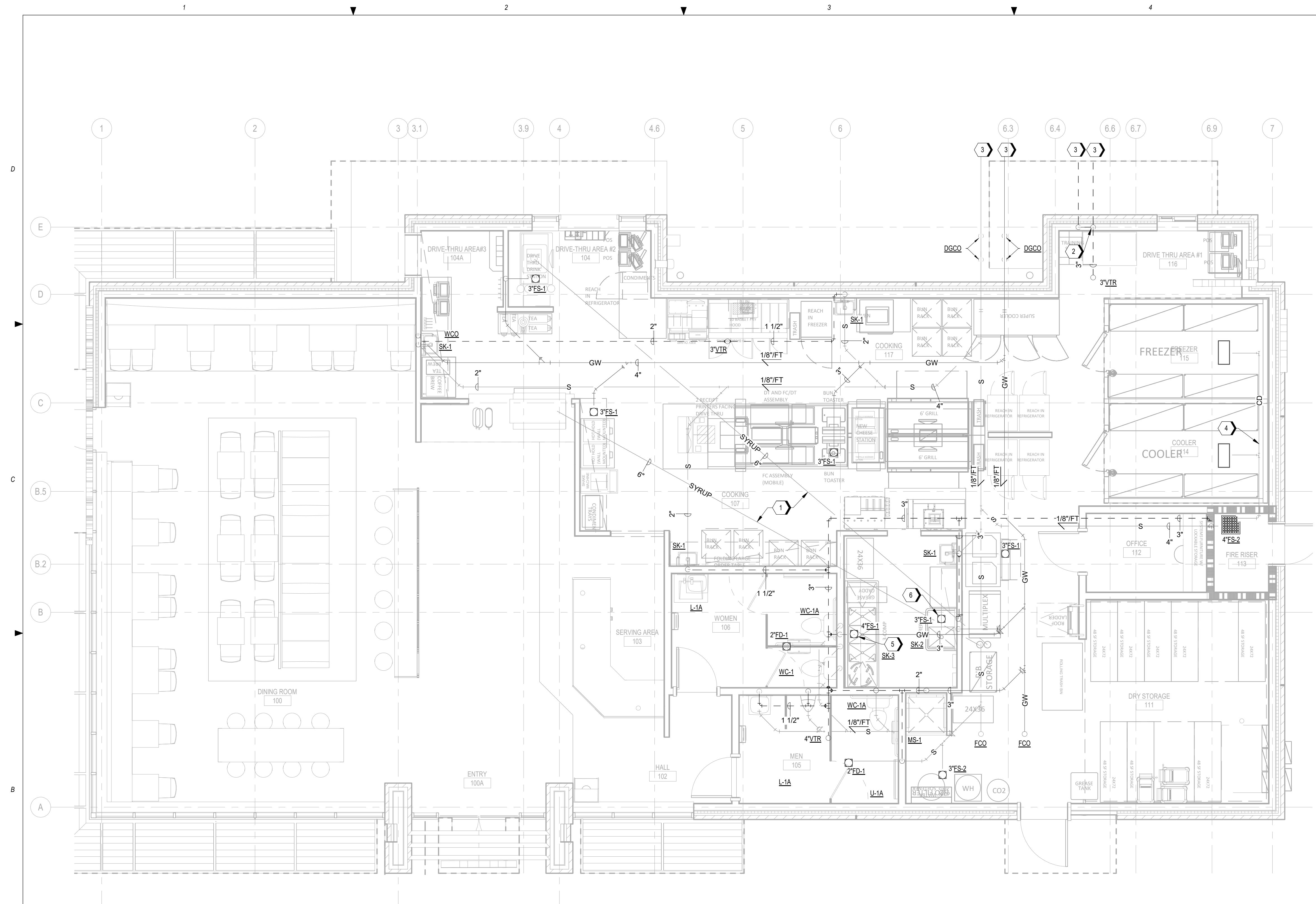
Drawing Title:
PLUMBING DOMESTIC WATER PLAN

Date: 12/22/2020 Phase: BID SET
Designed: DCU Drawing No.:
Drawn: DCU **P1.1**
Checked: KFF



1 PLUMBING DOMESTIC WATER PLAN
12/22/20
1/4" = 1'-0"

C:\Backup\Revit\WB-Less Summit-MO_V18_PLBG_200921_dum.rvt 12/27/2021 4:23:16 PM



GENERAL NOTES

- A. REFER TO P0.1 FOR GENERAL NOTES, SYMBOLS, AND ABBREVIATIONS.
- B. REFER TO PLUMBING RISER DIAGRAMS AND SCHEDULES FOR ADDITIONAL PIPE ROUTING AND SIZING.
- C. NO 90 DEGREE WASTE FITTINGS ARE TO BE USED IN THE HORIZONTAL POSITION BELOW THE SLAB. UTILIZE 45 DEGREE FITTINGS CREATING A MINIMUM 3' SWEEP.

KEYNOTES

- 1 6" PVC FOR SYRUP CHASE ABOVE CEILING. REFER TO ARCHITECTURAL PLANS FOR DETAILS. ROUTE VENTS FROM GREASE INTERCEPTOR WITH WALL CLEANOUTS DIRECTLY TO ROOF. COMBINE 3" VENTS AT 3' AFF (MIN.) IF PERMITTED BY AHJ.
- 2 REFERENCE CIVIL FOR CONTINUATION.
- 3 1" INSULATED COPPER CONDENSATE DRAIN FROM FREEZER & COOLER. PROVIDE CLEANOUTS AS REQUIRED AND HEAT TRACE (AS SPECIFIED IN GENERAL NOTES). SEAL ALL WALL PENETRATIONS AND DISCHARGE INTO FLOOR SINK WITH CODE APPROVED AIR GAP.
- 4 ROUTE INDIVIDUAL COPPER DRAIN LINES FROM EACH SINK BASIN AND DISCHARGE INDIRECTLY TO FLOOR SINK WITH CODE APPROVED AIR GAP.
- 5 ROUTE COPPER DRAIN LINE FROM SINK BASIN AND DISCHARGE INDIRECTLY TO FLOOR SINK WITH CODE APPROVED AIR GAP.
- 6

3 PLUMBING DRAIN, WASTE, AND VENT PLAN
1/4" = 1'-0"



ms consultants, inc.
engineers, architects, planners
2221 Schrock Road
Columbus, Ohio 43229
p 614.898.7100
f 614.898.7570
www.msconsultants.com

**WHATABURGER 20-M
LEE'S SUMMIT**

1460 NE DOUGLAS ST
LEE'S SUMMIT, MO



NOTICE: THIS ARCHITECTURAL AND ENGINEERING DRAWING IS GIVEN IN CONFIDENCE AND SHALL BE USED ONLY PURSUANT TO THE AGREEMENT WITH THE ARCHITECT. NO OTHER USE, DISSEMINATION, OR DUPLICATION MAY BE MADE WITHOUT PRIOR WRITTEN CONSENT OF THE ARCHITECT. ALL COMMON LAW RIGHTS OF COPYRIGHT AND OTHERWISE ARE HEREBY SPECIFICALLY RESERVED.



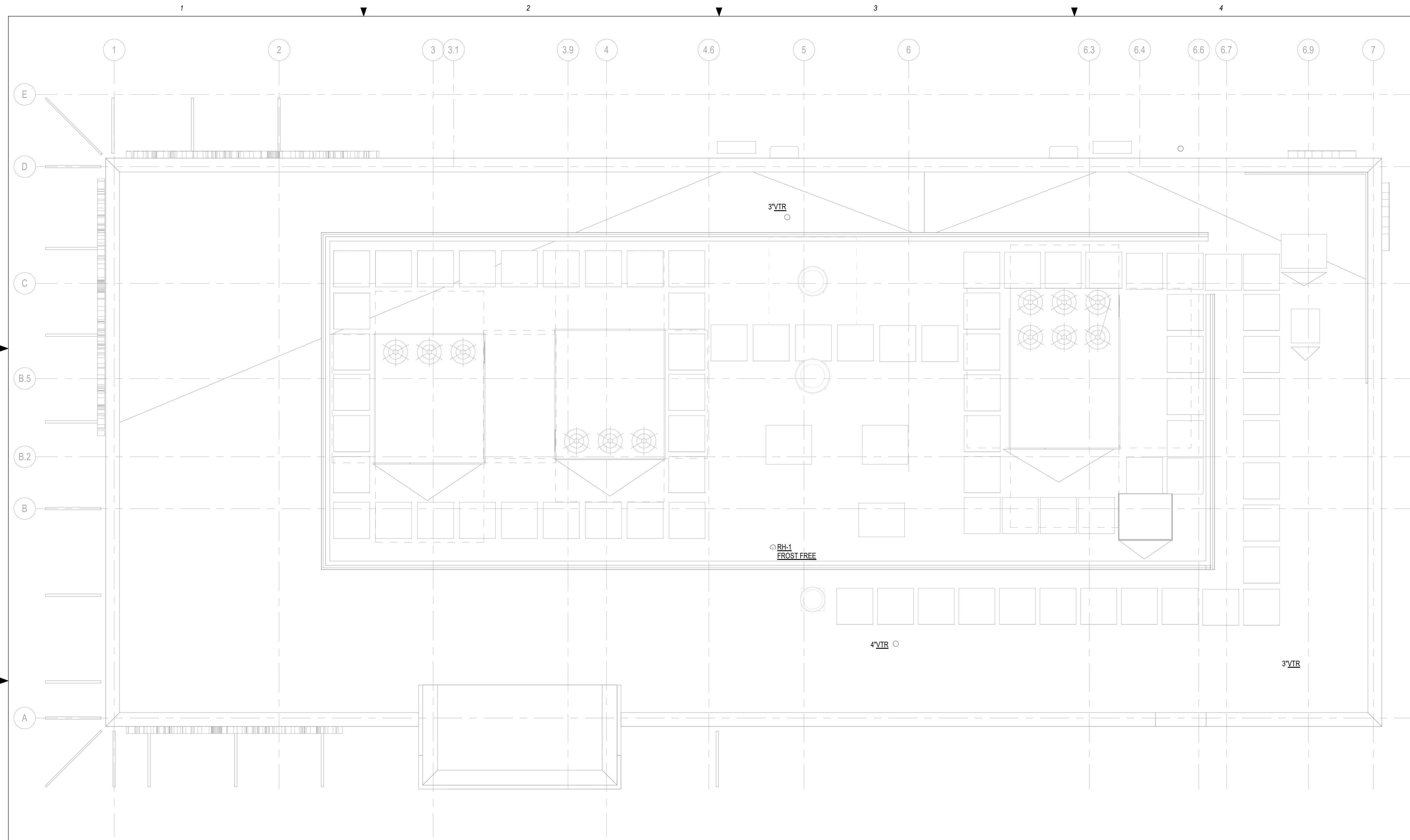
12/22/20
PROFESSIONAL OF RECORD:
JASON E. CHRISTOFF No. 20012002143
EXP DATE: 12/31/20

| REV | DESCRIPTION | DATE |
|-----|-------------|------|
| | | |
| | | |
| | | |

Project No.: 62-40497-01
Client Project No.:

Drawing Title:
PLUMBING DWV PLAN

Date: 12/22/2020 Phase: BID SET
Designed: DCU Drawing No.:
Drawn: DCU **P1.2**
Checked: KFF



B1 PLUMBING ROOF PLAN
1/4" = 1'-0"

GENERAL NOTES

- A. REFER TO P0.1 FOR GENERAL NOTES, SYMBOLS, AND ABBREVIATIONS.
- B. REFER TO PLUMBING RISER DIAGRAMS AND SCHEDULES FOR ADDITIONAL PIPE ROUTING AND SIZING.



ms consultants, inc.
engineers, architects, planners
2221 Schrock Road
Columbus, Ohio 43229
p 614.898.7100
f 614.898.7570
www.msconsultants.com

**WHATABURGER 20-M
LEE'S SUMMIT**

1460 NE DOUGLAS ST
LEE'S SUMMIT, MO



NOTICE: THIS ARCHITECTURAL AND ENGINEERING DRAWING IS GIVEN IN CONFIDENCE AND SHALL BE USED ONLY PURSUANT TO THE AGREEMENT WITH THE ARCHITECT. NO OTHER USE, DISSEMINATION, OR DUPLICATION MAY BE MADE WITHOUT PRIOR WRITTEN CONSENT OF THE ARCHITECT. ALL COMMON LAW RIGHTS OF COPYRIGHT AND OTHERWISE ARE HEREBY SPECIFICALLY RESERVED.



12/22/20
PROFESSIONAL OF RECORD:
JASON E. CHRISTOFF No.20012002143
EXP DATE: 12/31/20

| REV | DESCRIPTION | DATE |
|-----|-------------|------|
| | | |
| | | |
| | | |
| | | |

Project No.: 62-40497-01
Client Project No.:

Drawing Title:
PLUMBING ROOF PLAN

Date: 12/22/2020 Phase: BID SET
Designed: DCU Drawing No.:
Drawn: DCU
Checked: KFF

P2.1



ms consultants, inc.
engineers, architects, planners
2221 Schrock Road
Columbus, Ohio 43229
p 614.898.7100
f 614.898.7570
www.msconsultants.com

WHATABURGER 20-M LEE'S SUMMIT

1460 NE DOUGLAS ST
LEE'S SUMMIT, MO



NOTICE: THIS ARCHITECTURAL AND ENGINEERING DRAWING IS GIVEN IN CONFIDENCE AND SHALL BE USED ONLY PURSUANT TO THE AGREEMENT WITH THE ARCHITECT. NO OTHER USE, DISSEMINATION, OR DUPLICATION MAY BE MADE WITHOUT PRIOR WRITTEN CONSENT OF THE ARCHITECT. ALL COMMON LAW RIGHTS OF COPYRIGHT AND OTHERWISE ARE HEREBY SPECIFICALLY RESERVED.



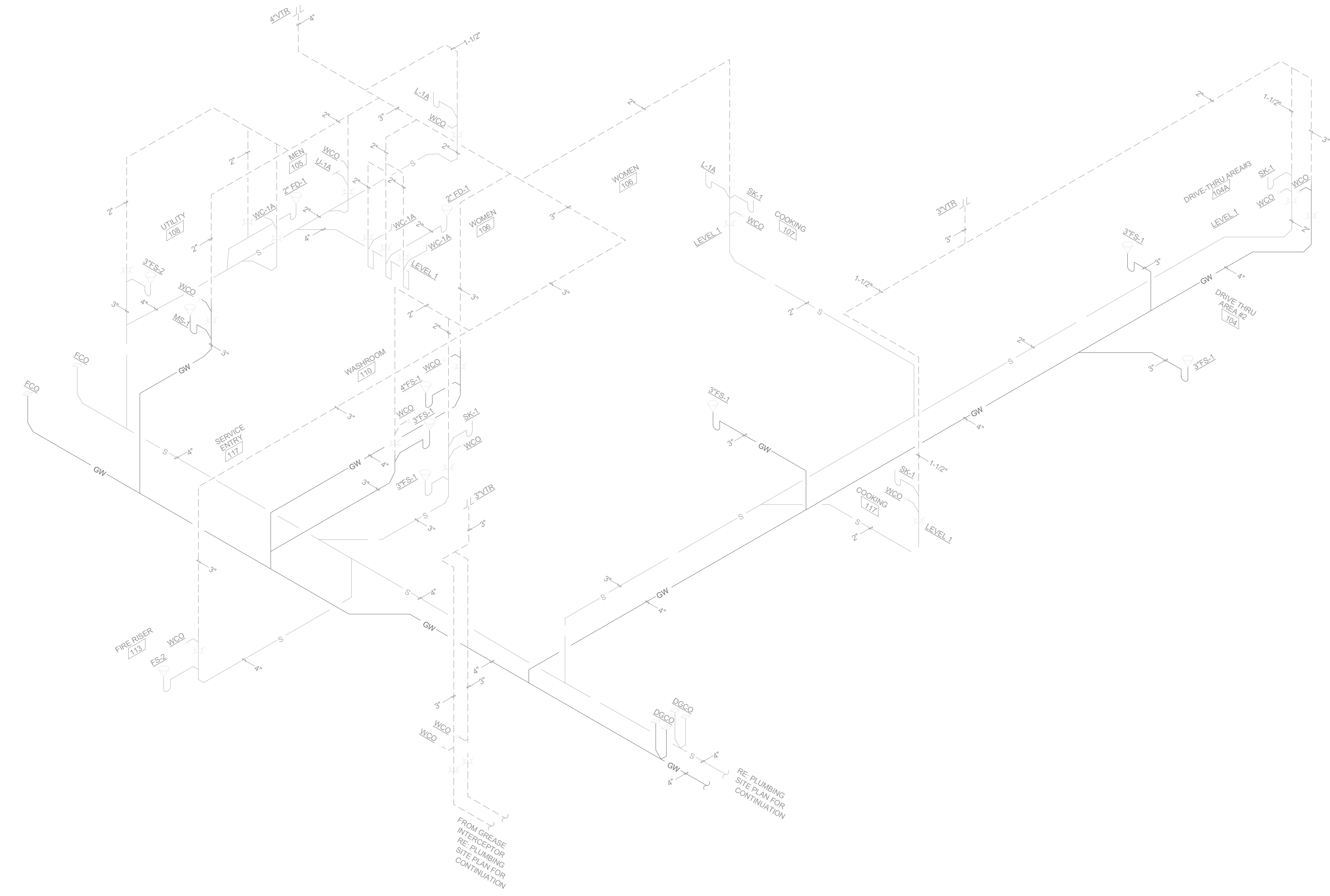
12/22/20
PROFESSIONAL OF RECORD:
JASON E. CHRISTOFF No. 20012002143
EXP DATE: 12/31/20

| REV | DESCRIPTION | DATE |
|-----|-------------------|----------|
| 1 | REV-1 Plan Review | 01/27/21 |
| | | |
| | | |

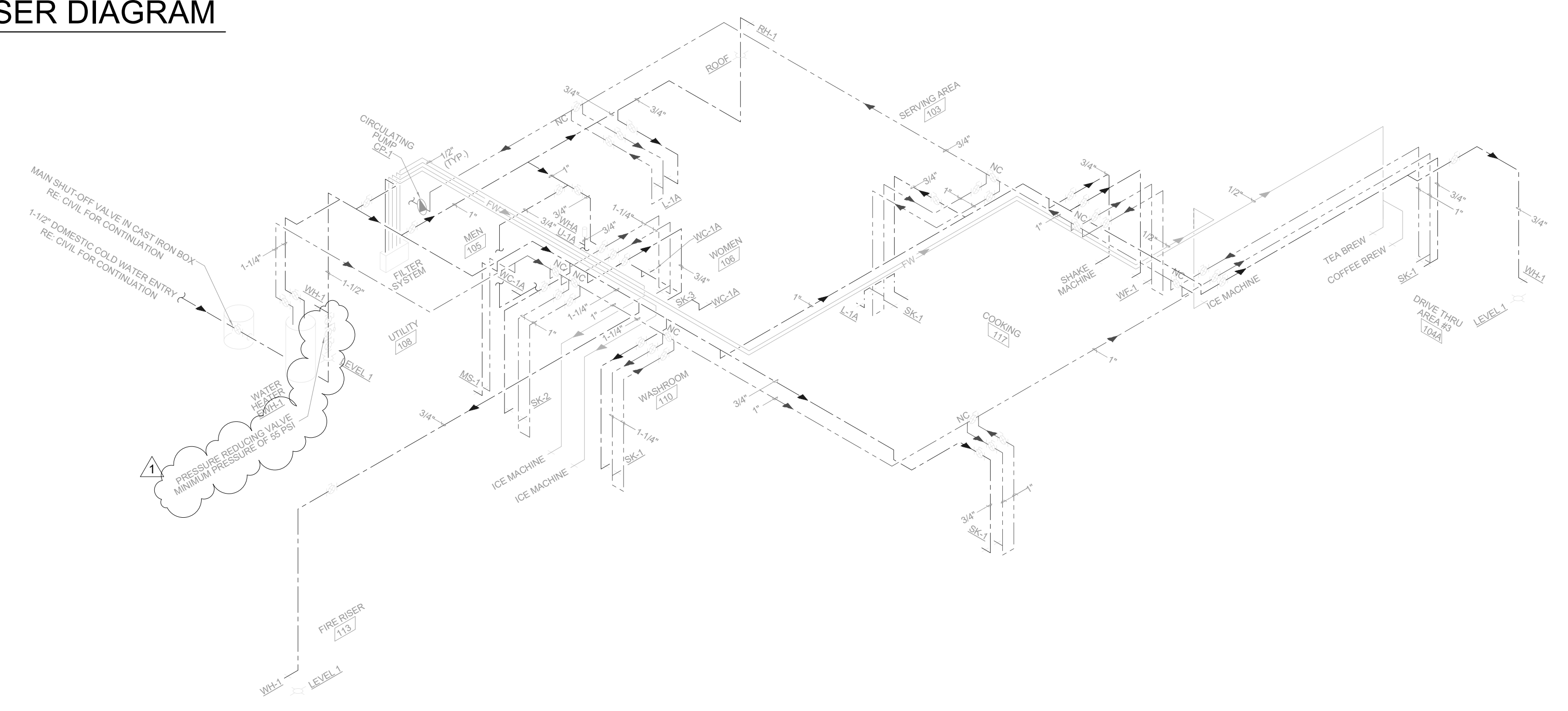
Project No.: 62-40497-01
Client Project No.:

Drawing Title:
PLUMBING RISER DIAGRAMS

Date: 12/22/2020 Phase: BID SET
Designed: DCU Drawing No.:
Drawn: DCU **P3.1**
Checked: KFF

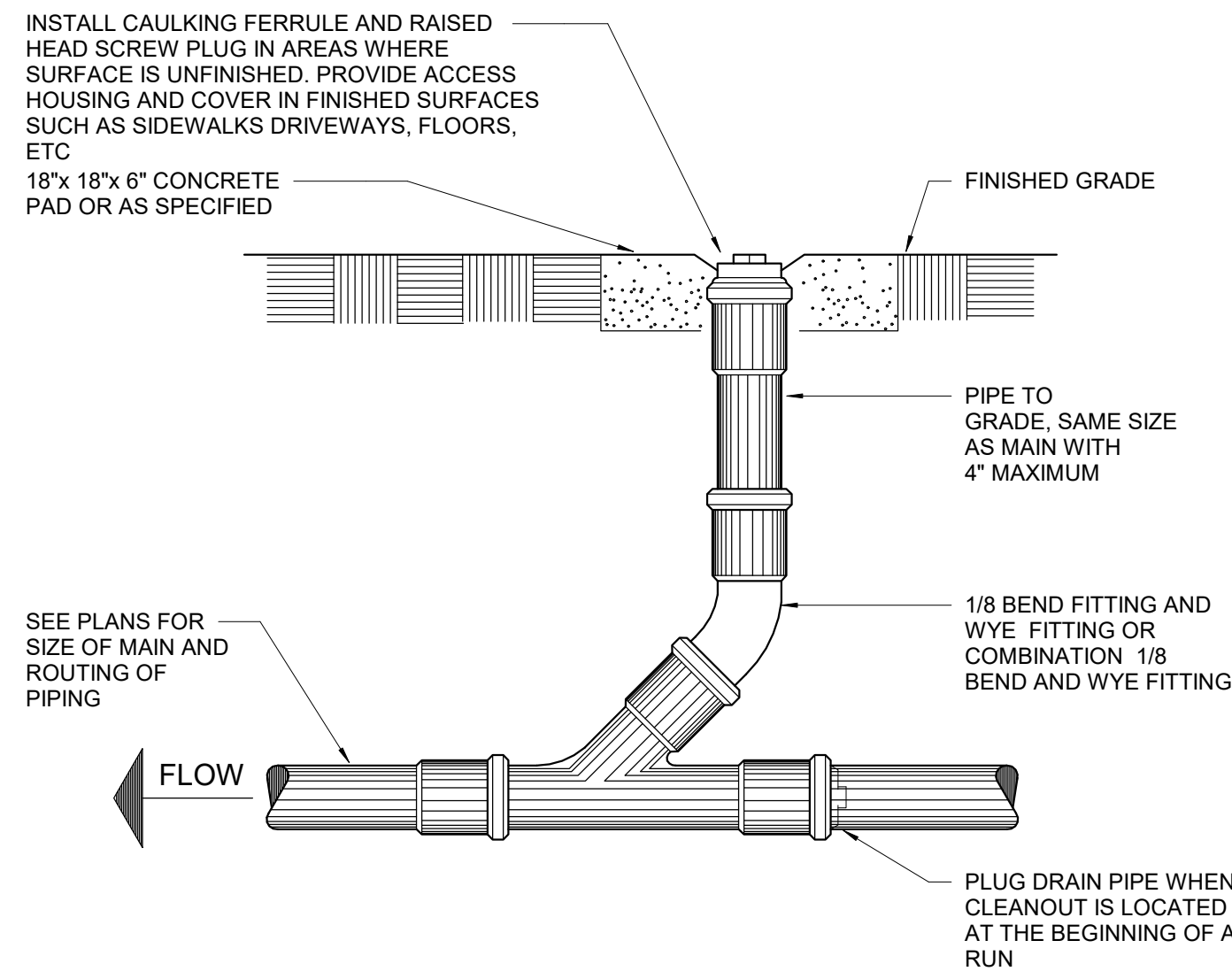


B1 DRAIN, WASTE, AND VENT RISER DIAGRAM
NOT TO SCALE

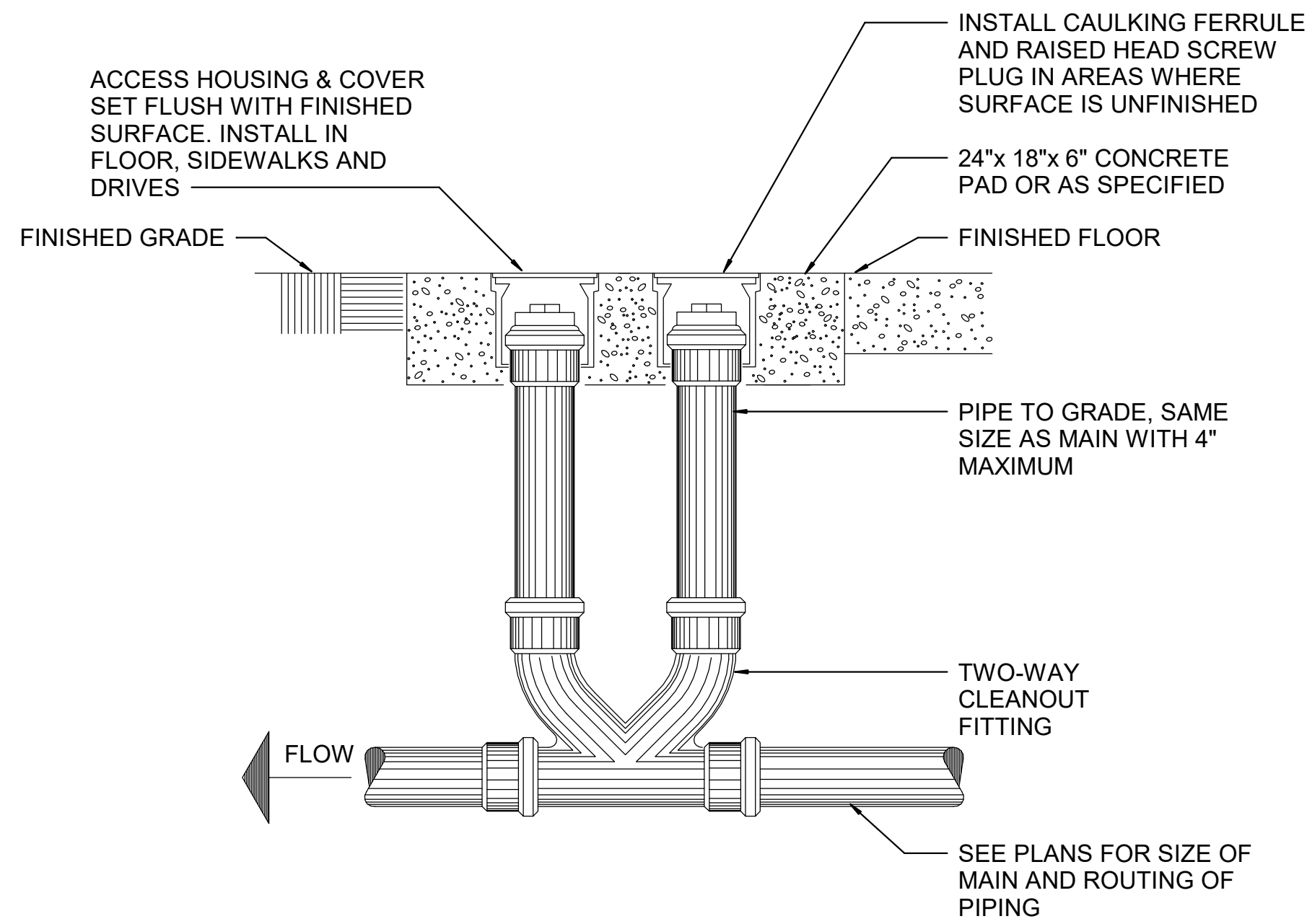


A2 DRAIN, WATER RISER DIAGRAM
NOT TO SCALE

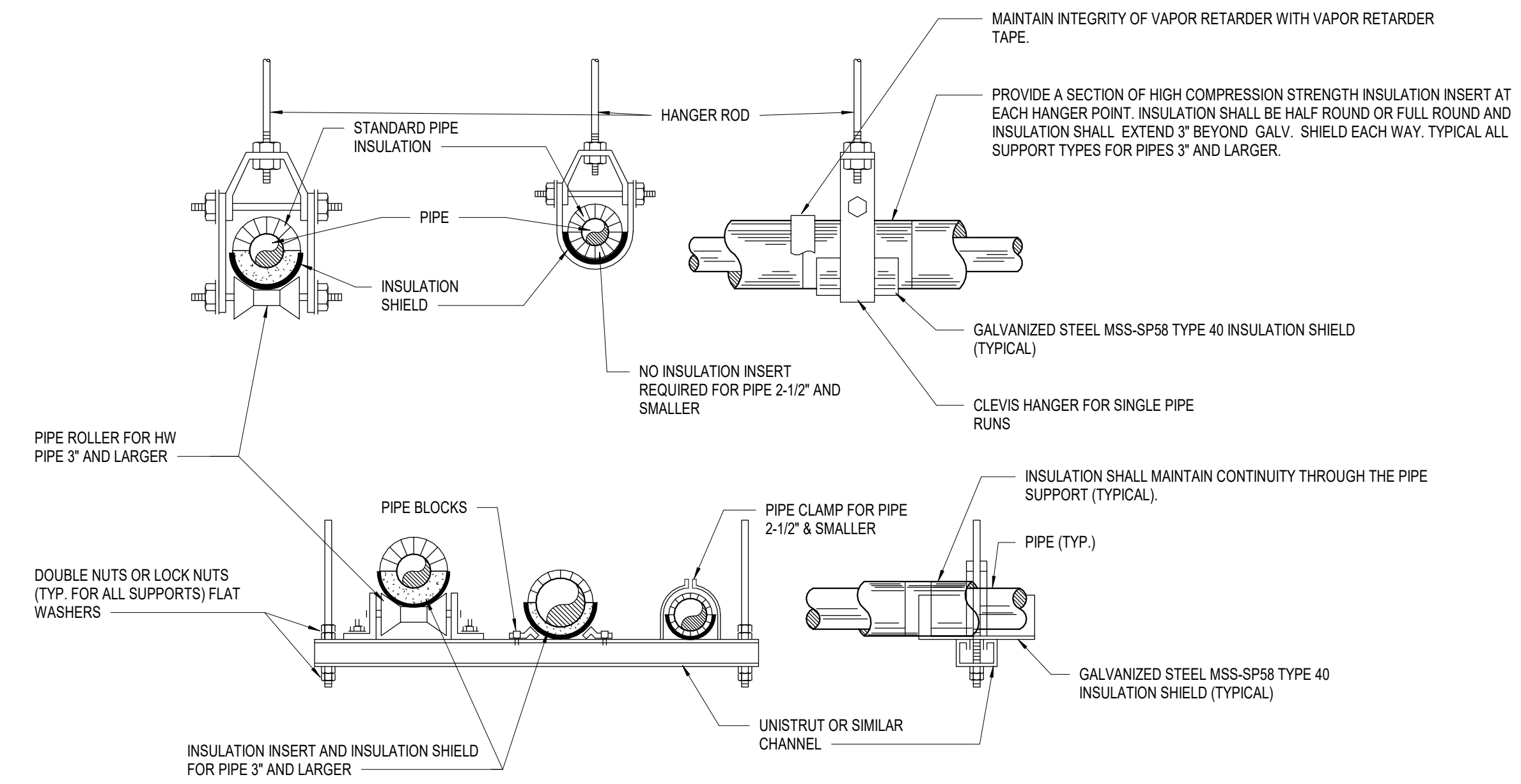
C:\Backup\Revit\WB-Lee's Summit-MO_V18_PLBG_200921_dml.rvt
12/27/2021 4:23:24 PM



C1 GRADE CLEANOUT
12" = 1'-0"

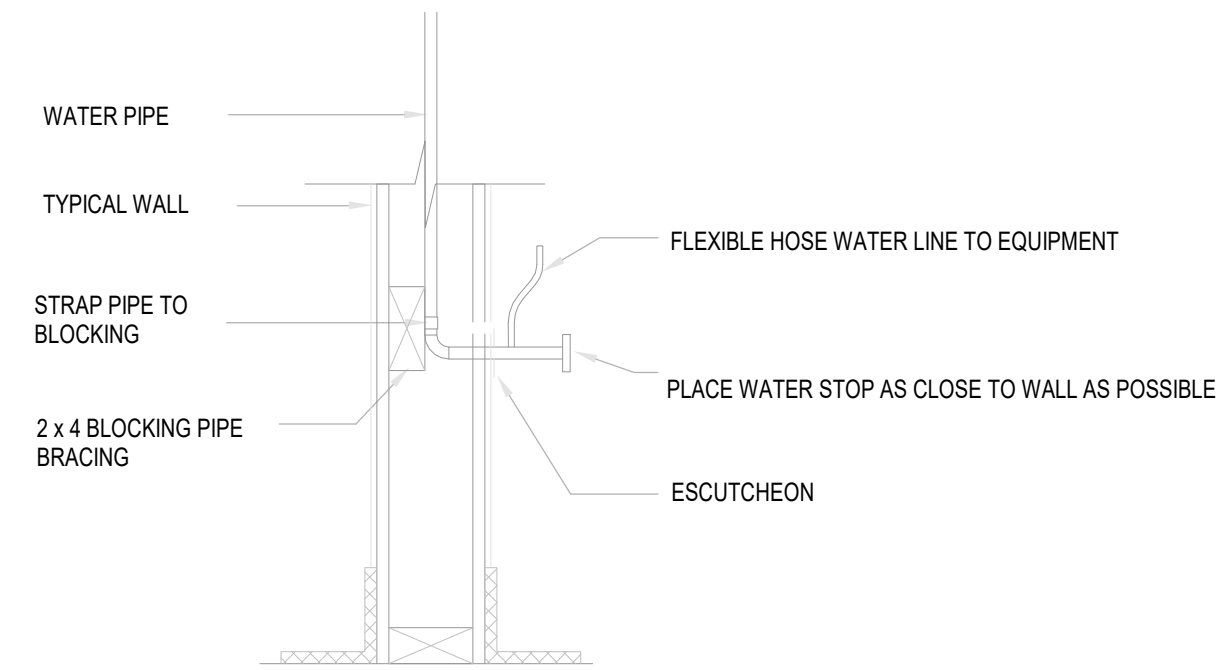


C2 DOUBLE GRADE CLEANOUT
12" = 1'-0"

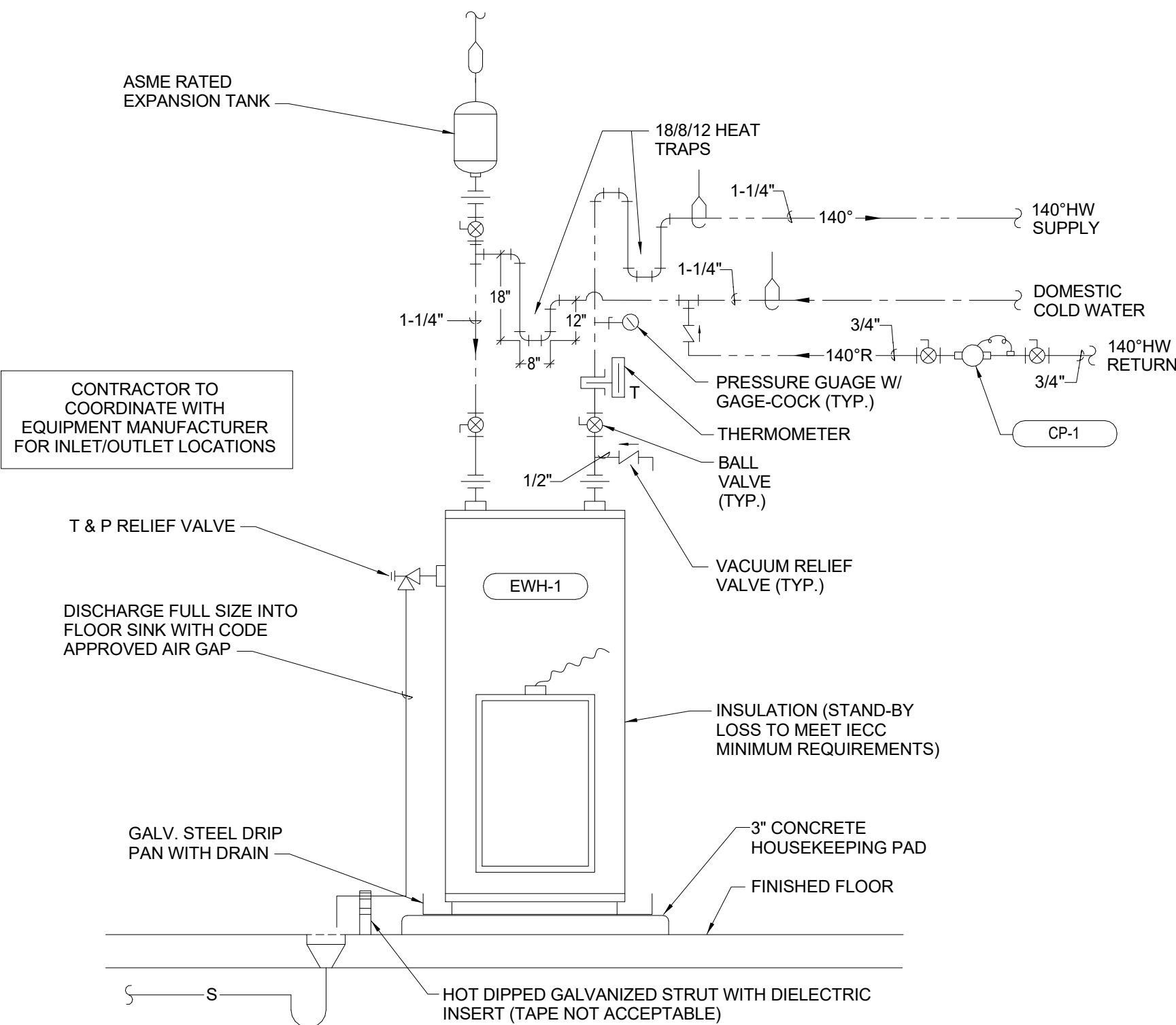


- NOTES:**
1. PROVIDE SPRING VIBRATION ISOLATORS ON ALL PIPING 3" OR LARGER (TYPICAL).
 2. INSULATION INSERT LENGTH SHALL BE 6" LONGER THAN INSULATION SHIELD.
 3. INSULATION SYSTEM SHALL MAINTAIN CONTINUITY OF THERMAL INSULATION, VAPOR RETARDER, AND SPECIFIED JACKETING THROUGH ALL PIPE SUPPORTS.

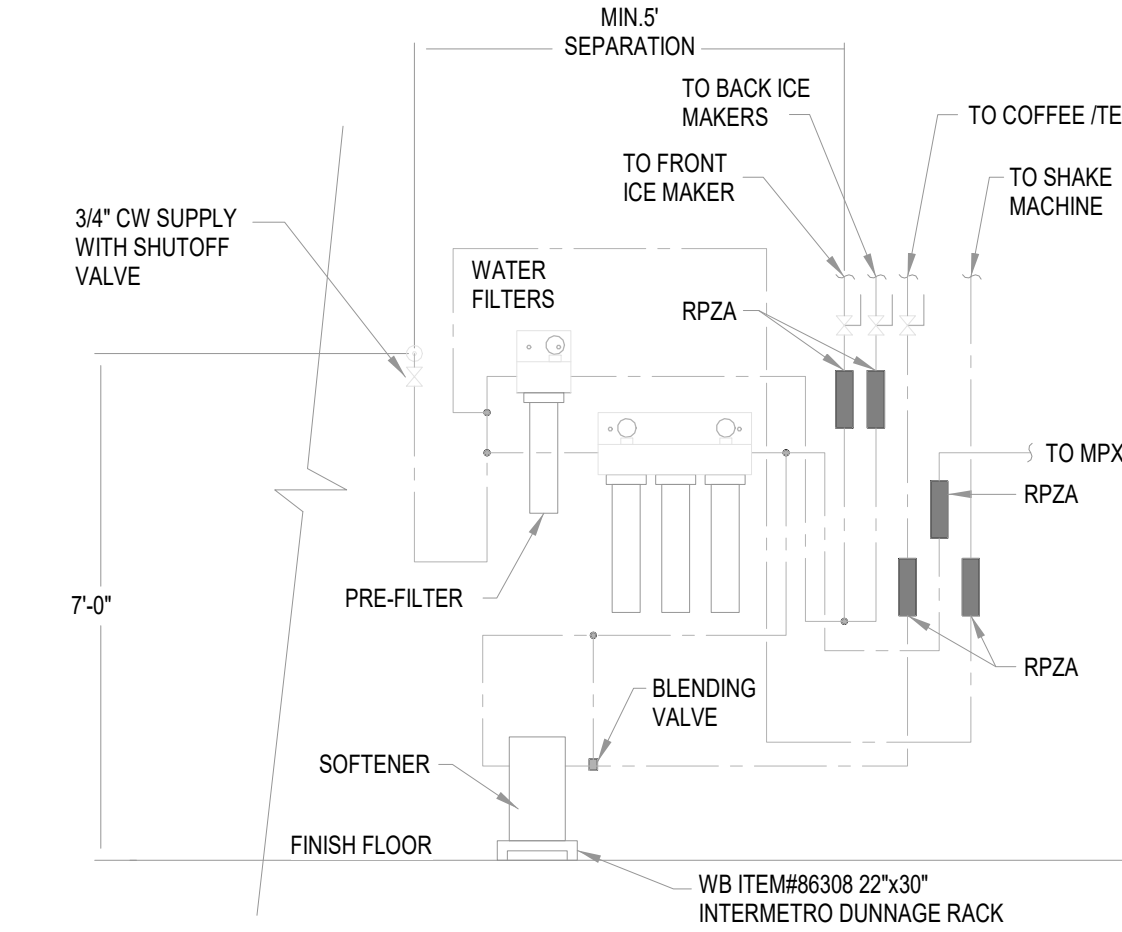
C4 PIPE SUPPORT DETAIL
12" = 1'-0"



B1 WATER CONNECTION DETAIL
NOT TO SCALE



B2 WATER HEATER DETAIL
12" = 1'-0"

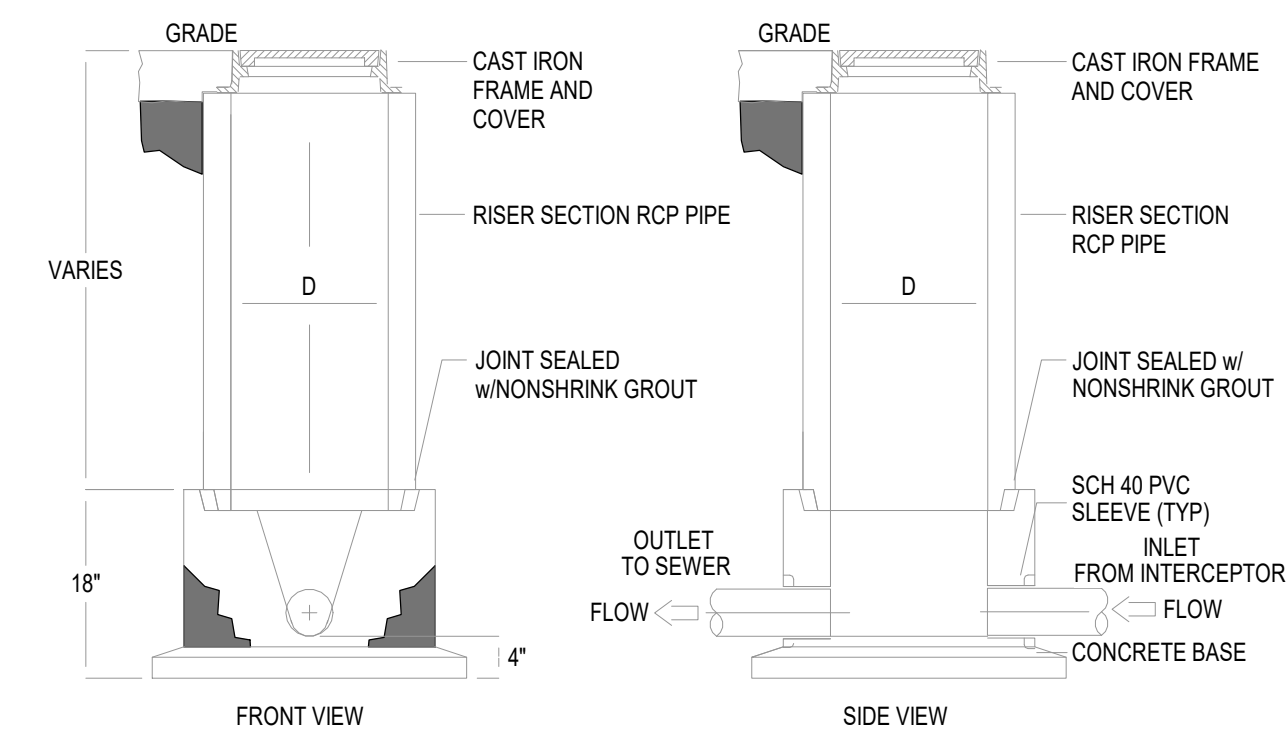


A1 DRINK FILTER ELEVATION
NOT TO SCALE

GREASE INTERCEPTOR CALCULATION:

| MEALS PER HOUR | X WASTE FLOW RATE | X RETENTION TIME | X STORAGE FACTOR |
|----------------|-------------------|------------------|---|
| 84 | X 2 | X 1.5 | X 1.5 = 378GPH (1,500 GALLON SUBMITTED) |

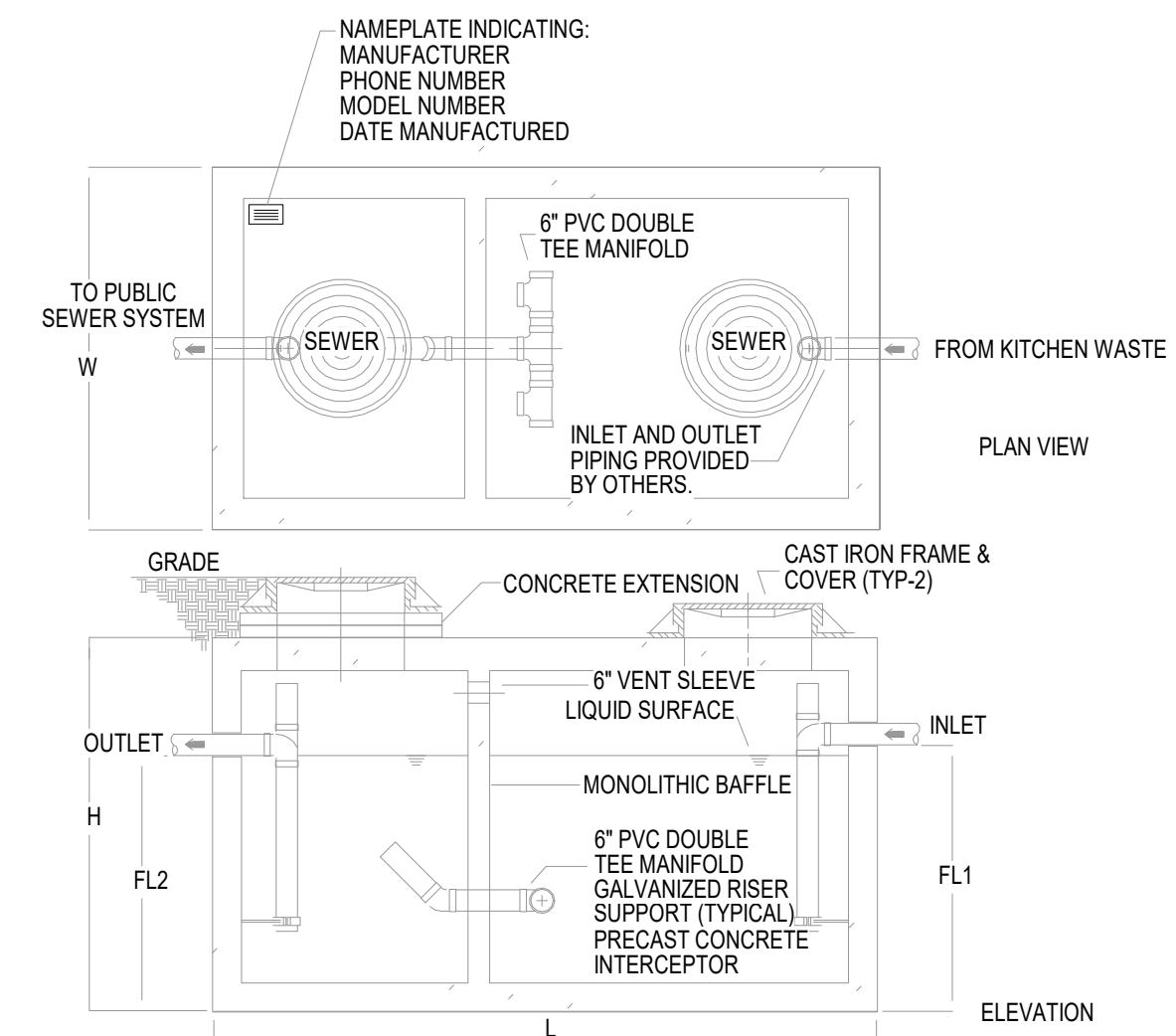
A2 GREASE INTERCEPTOR CALCULATION
NOT TO SCALE



- NOTES:**
1. SAMPLING WELL MUST BE INSTALLED UNDER A SEPARATE PLUMBING PERMIT.
 2. USE 15" T&G R.C.P. FOR INSTALLATION FOR INSTALLATION 6'-0" DEEP AND LESS.
 3. USE 24" T&G R.C.P. FOR INSTALLATION GREATER THAN 6'-0" DEEP. (STD RING AND M.H. COVER REQUIRED).
 4. SAMPLING WELL MUST BE SET IN A CIRCULAR OR SQUARE CONCRETE PAD (1'-0" GREATER THAN OUTSIDE DIAMETER OF PIPE). INSTALLATION IS POSSIBLE.
 5. INSIDE INSTALLATION NOT PERMITTED, WHERE OUTSIDE INSTALLATION IS POSSIBLE.
 6. LAWN INSTALLATION MUST BE 4" ABOVE FINISHED GRADE.
 7. DRIVE & SIDEWALK INSTALLATION MUST BE BROUGHT TO FINISHED GRADE.
 8. TO BE INSTALLED ON PRIVATE PROPERTY, IN AN ACCESSIBLE LOCATION TO CITY PERSONNEL.

- SPECIFICATIONS:**
- CONCRETE:** Class 1 concrete with design strength of 4500 PSI at 28 days. Unit is of monolithic construction at floor and first stage of wall with sectional riser to required depth.
- C.I. CASTINGS:** Cast iron frames and grates are manufactured of grey cast iron conforming to ASTM A48-76 Class 30, Heavy-Duty AASHTO H-20

A4 GREASE INTERCEPTOR AND SAMPLE WELL DETAIL
NOT TO SCALE



GREASE INTERCEPTOR SCHEDULE

| MODEL NO. | CAP. (LBS) | GREASE CAP. (LBS) | EMPTY WT (LBS) | LENGTH (L) | WIDTH (W) | HEIGHT (H) | INLET FL1 | OUTLET FL2 |
|-----------|------------|-------------------|----------------|------------|-----------|------------|-----------|------------|
| GT-1500 | 1,500 | 3,500 | 16,050 | 9'-2" | 5'-8" | 7'-0" | 5'-9" | 5'-8" |

*REFER TO DETAIL #A2 THIS SHEET FOR SIZE SELECTION

- Specifications:**
- CONCRETE:** Class 1 concrete with design strength of 4500 PSI at 28 days. Unit is of monolithic construction at floor, first stage of wall and baffle with sectional riser to required depth. (Monolithic baffle required, slide-in type is not acceptable)
- REINFORCEMENT:** Grade 60 reinforced with steel rebar conforming to ASTM A615 on required centers or equal.
- C.I. CASTINGS:** Manhole frames, covers or grates are manufactured of grey cast iron conforming to ASTM A48-76 Class 30. Manhole shall be nominal 24 inch diameter and be traffic duty.
- Engineering Data:** The grease interceptor shall be structurally & hydraulically engineered to conform to regional plumbing codes recommended in most cities. Consult with local authorities for specific application requirements.
- Shop drawings shall include complete structural & buoyancy calculations certified by a licensed professional engineer.
- Consult with manufacturer for exact excavation dimensions & shipping information.



NOTICE: THIS ARCHITECTURAL AND ENGINEERING DRAWING IS GIVEN IN CONFIDENCE AND SHALL BE USED ONLY PURSUANT TO THE AGREEMENT WITH THE ARCHITECT. NO OTHER USE, DISSEMINATION, OR DUPLICATION MAY BE MADE WITHOUT PRIOR WRITTEN CONSENT OF THE ARCHITECT. ALL COMMON LAW RIGHTS OF COPYRIGHT AND OTHERWISE ARE HEREBY SPECIFICALLY RESERVED.



12/22/20
PROFESSIONAL OF RECORD:
JASON E. CHRISTOFF No.20012002143
EXP DATE: 12/31/20

| REV | DESCRIPTION | DATE |
|-----|-------------|------|
| | | |
| | | |
| | | |

Project No.: 62-40497-01
Client Project No.:

Drawing Title:

PLUMBING DETAILS

Date: 12/22/2020 Phase: BID SET
Designed: DCU
Drawn: DCU
Checked: KFF
P4.1

PUMP SCHEDULE

| MARK | SERVICE | LOCATION | TYPE | CAPACITY (GPM) | BOOST PRESSURE, PSI (FT HD) | MOTOR VOLTAGE/PHASE/HP | MOTOR SPEED (RPM) | MANUFACTURER, MODEL |
|------|-------------|--------------|---------|----------------|-----------------------------|------------------------|-------------------|---------------------|
| CP-1 | DOMESTIC HW | UTILITY ROOM | IN-LINE | 1 | 2 | 230/1/0.75 | VARIABLE | GRUNDFOS ALPHA 2 |

WATER HEATER SCHEDULE

| MARK | LOCATION | SERVICE | STORAGE (GAL) | RECOVERY RATE @ 80° F RISE (GPH) | OPERATING TEMPERATURE, °F | INPUT (BTU / KW) | POWER VOLTAGE/PHASE | FUEL | MANUFACTURER, MODEL |
|-------|--------------|--------------------|---------------|----------------------------------|---------------------------|------------------|---------------------|------|---------------------|
| EW4-1 | UTILITY ROOM | DOMESTIC HOT WATER | 120 | 51 | 140° | 10 KW | 208 / 3 | ELEC | A.O. SMITH DEN 120 |

EXPANSION TANK SCHEDULE

| MARK | SERVICE | LOCATION | TOTAL TANK VOLUME (GALLONS) | ACCEPTANCE VOLUME (GALLONS) | MAX. PRESSURE (PSIG) | MANUFACTURER, MODEL |
|------|--------------|---------------|-----------------------------|-----------------------------|----------------------|---------------------|
| ET-1 | WATER HEATER | PLUMBING ROOM | 8 | - | 150 | ELBI #DTS-30 |

MIXING VALVE SCHEDULE

| MARK | FLOW (GPM) | LOCATION | DWH TEMP. IN | TEMP OUT (BLEND) | MANUFACTURER, MODEL |
|-------|------------|----------|--------------|--------------------|---------------------|
| TMV-1 | 0.5-2.2 | LAV/SINK | 140° F | RE: PLBG FIX SCHED | WATTS #LFMMV-US-M1 |

PIPE MATERIALS LEGEND

| PIPE SYSTEM | PIPE MATERIAL |
|---------------------------|--|
| DOMESTIC COLD WATER | ASTM B88 COPPER, EXTERIOR (TYPE "K") AND INTERIOR (TYPE "M") |
| DOMESTIC HOT WATER | ASTM B88 COPPER, EXTERIOR (TYPE "K") AND INTERIOR (TYPE "M") |
| DOMESTIC HOT WATER RETURN | ASTM B88 COPPER, EXTERIOR (TYPE "K") AND INTERIOR (TYPE "M") |
| FILTERED WATER | ASTM B88 COPPER, EXTERIOR (TYPE "K") AND INTERIOR (TYPE "M") |
| SYRUP CHASE | SCHEDULE 40 PVC |
| SANITARY | SCHEDULE 40 PVC |
| GREASE | SCHEDULE 40 PVC |
| VENT | SCHEDULE 40 PVC |

PLUMBING FIXTURE SCHEDULE

| MARK | DESCRIPTION | QUANTITY | CONNECTIONS | | | | | | MANUFACTURER, MODEL |
|-------|---|----------|-------------|--------|----------|------|------|---|---------------------|
| | | | WASTE | VENT | TRAP | DCW | DHW | | |
| WC-1A | WATER CLOSET (ADA); 1.1 GPF, FLOOR-MOUNT, VITREOUS CHINA WITH EVERCLEAN (ANTI-MICROBIAL) SURFACE, FULLY-GLAZED TRAPWAY, PRESSURE-ASSISTED FLUSH TANK WITH LOCKING COVER. | 3 | 4" | 2" | INTEGRAL | 3/4" | - | AMERICAN STANDARD "CADET" #3483 001 UNIVERSAL BOWL, #4142 601 LOCKING TANK, #4142 901 FOR RIGHT HAND TRIP | |
| U-1A | URINAL (ADA); 1.25 GPF, WALL-HUNG, VITREOUS CHINA WITH EVERCLEAN (ANTI-MICROBIAL) SURFACE, FULLY-GLAZED TRAPWAY, EXPOSED HARD-WIRED ELECTRONIC SENSOR DIAPHRAGM FLUSH VALVE. | 1 | 2" | 1-1/2" | INTEGRAL | 3/4" | - | AMERICAN STANDARD "PINTBROOK" #6002 001, 6063 013 002 | |
| L-1A | LAVATORY (ADA); WALL-MOUNTED, CORIAN, METERED, 1.5 GPM @ 15 SEC. CYCLE = 0.25 GAL/CYCLE, HARD-WIRED ELECTRONIC SENSOR FAUCET, PROVIDE WITH TMV-1 SET TO 105°F, AND FIELD INSTALLED SENSOR WITH 15 SEC. T/O (PART #3335116). | 2 | 2" | 1-1/2" | 1-1/4" | 3/4" | 3/4" | SLOAN #DSWD-81000 SINK, EAF-900 FAUCET | |
| MS-1 | MOP SINK, FLOOR-MOUNTED, 36"X36"X12" TERRAZO MOP SINK WITH FRONT DRAIN AND RIM GUARD, WALL SHIELDS, SPRING-LOADED MOP HANGER AND HOSE WALL HOOK. | 1 | 3" | 2" | 3" | 3/4" | 3/4" | STERN WILLIAMS "HILOW" #2000, T-10-VB, T-35, T-40-BP | |
| IMB-1 | ICE MAKER BOX, WHITE POWDER COATED GALVANIZED STEEL WITH QUARTER TURN VALVE AND MINI ARRESTER. | - | - | - | - | 3/4" | - | GUY GREY #MIB1HAAB | |
| IMB-2 | ICE MAKER BOX, WHITE POWDER COATED GALVANIZED STEEL WITH QUARTER TURN VALVE AND MINI ARRESTER, COORDINATE FINAL LOCATION WITH ARCHITECT. PROVIDE DUAL CHECK VALVE (BFP-2) IN-LINE FOR CONNECTION TO COFFEE MAKER. | - | - | - | - | 3/4" | - | GUY GREY #MIB1HAAB, WATTS #SD2 | |
| SK-1 | HAND SINK; STAINLESS STEEL, PROVIDE WITH TMV-1 SET TO 105°F | 4 | 2" | 1-1/2" | 1-1/4" | 3/4" | 3/4" | SINK SUPPLIED BY KITCHEN EQUIPMENT MANUFACTURER, T&S BRASS #B-1115 FAUCET SUPPLIED BY CONTRACTOR | |
| SK-2 | 1 COMPARTMENT SINK; STAINLESS STEEL, PROVIDE WITH TMV-1 SET TO 110°F | 1 | 3" | 2" | - | 3/4" | 3/4" | SINK SUPPLIED BY KITCHEN EQUIPMENT MANUFACTURER, T&S BRASS #B-023-CR FAUCET SUPPLIED BY WHATABURGER | |
| SK-3 | 3 COMPARTMENT SINK; STAINLESS STEEL, PROVIDE WITH TMV-1 SET TO 110°F | 1 | 3" | 2" | - | 3/4" | 3/4" | SINK SUPPLIED BY KITCHEN EQUIPMENT MANUFACTURER, T&S BRASS #B-0156-CR FAUCET SUPPLIED BY WHATABURGER | |
| WF-1 | WALL FAUCET; | 1 | - | - | - | 3/4" | 3/4" | FOR SHAKE MACHINE BY CONTRACTOR, T&S BRASS #B-0231-CR WITH #00JJ STOPS | |

GENERAL NOTES (PLUMBING FIXTURE SCHEDULE):

- PLUMBER IS REQUIRED TO REGISTER ATTACHED WARRANTY REGISTRATION CARD FOLLOWING INSTALLATION CHECKOUT.
- PLUMBER IS REQUIRED TO ROUTE INDIVIDUAL COPPER DRAIN LINES FROM EACH SINK BASIN AND DISCHARGE INDIRECTLY TO FLOOR SINK WITH CODE APPROVED AIR GAP
- FURNISH AND INSTALL WATTS SERIES 8 VACUUM BREAKER ON ALL THREADED FAUCETS AND HOSE BIBBS SERVING CLEANING AND UTILITY USES.

FLOOR DRAIN/SINK SCHEDULE

| MARK | DESCRIPTION | SERVICE | GRATE DIMENSION | OUTLET DIAMETER | MANUFACTURER, MODEL |
|------|---|-------------------------|-----------------|-----------------|----------------------------|
| FD-1 | FLOOR DRAIN; COATED CAST-IRON BODY WITH BOTTOM OUTLET, CLAMPING COLLAR, ADJUSTABLE COLLAR WITH SEEPAGE SLOTS, AND POLISHED NICKEL-BRONZE, HEAVY-DUTY SQUARE HEEL-PROOF GRATE WITH VANDAL-RESISTANT SCREWS. | RESTROOMS, GEN. SERVICE | 8x8" | " | ZURN ZN-415-6S-HD |
| FS-1 | FLOOR SINK; 6" DEEP CAST-IRON BODY, MEDIUM-DUTY SLOTTED 1/2 GRATE, ANCHOR FLANGE, SEEPAGE HOLES, CLAMPING COLLAR, ANTI-SPLASH DOME STRAINER; WHITE ACID RESISTING PORCELAIN ENAMEL FINISH ON INTERIOR, GRATE, AND STRAINER. | KITCHEN, EQUIPMENT | 8x8" | " | ZURN Z-1910-KC-2-33 |
| FS-2 | FLOOR SINK; ACID-RESISTANT EPOXY COATED CAST-IRON BODY WITH BOTTOM OUTLET, ANCHOR FLANGE, SECONDARY DOME STRAINER, TRAP SEAL PRIMER TAPPING, AND 1/2 TRACTOR GRATE. | FIRE RISER, CONDENSATE | 12x12" | " | MIFAB F1480-7-11-20-FL-150 |

GENERAL NOTES (FLOOR DRAIN/SINK SCHEDULE):

- REFER TO SPECIFICATIONS FOR ADDITIONAL REQUIREMENTS.
- ALL FLOOR DRAINS SHALL INCLUDE AN ANCHORING FLANGE.
- INSULATE BODY, TAILPIECE AND P-TRAP OF ALL FLOOR DRAINS SERVING HVAC EQUIPMENT.
- PROVIDE BARRIER TYPE TRAP SEAL PROTECTION EQUAL TO RECTORSEAL "SURESEAL" ON ALL FLOOR DRAINS/SINKS.
- REFER TO FLOOR PLAN FOR PIPE SIZE.

HYDRANT / HOSE BIBB SCHEDULE

| MARK | DESCRIPTION | MANUFACTURER, MODEL |
|------|---|---------------------|
| WH-1 | WALL HYDRANT; NON-FREEZE ENCLOSED TYPE WITH FACEPLATE, AUTOMATIC DRAINING, ANTI-SIPHON VACUUM BREAKER, 3/4" THREADED INLETS, AND LOOSE TEE OPERATING KEY. | WOODFORD B65-CH |
| RH-1 | ROOF HYDRANT; NON-FREEZE PEDESTAL TYPE, AUTOMATIC DRAINING, ANTI-SIPHON VACUUM BREAKER, 3/4" THREADED INLETS, AND LOOSE TEE OPERATING KEY. | WOODFORD RHY2-MS |

BACKFLOW PREVENTER SCHEDULE

| MARK | DESCRIPTION | SIZE | LOCATION/SERVICE | MANUFACTURER, MODEL |
|-------|--|------|------------------|---------------------|
| BFP-1 | DUAL CHECK VALVE BACKFLOW PREVENTER WITH VACUUM BREAKER, RELIEF VENT, AND Y-STRAINER | 1/2" | ICE MAKERS | WATTS #807 |
| BFP-2 | DUAL CHECK VALVE BACKFLOW PREVENTER | 1/2" | COFFEE MAKERS | WATTS #SD2 |



ms consultants, inc.
engineers, architects, planners
2221 Schrock Road
Columbus, Ohio 43229
p 614.898.7100
f 614.898.7570
www.msconsultants.com

**WHATABURGER 20-M
LEE'S SUMMIT**

1460 NE DOUGLAS ST
LEE'S SUMMIT, MO



NOTICE: THIS ARCHITECTURAL AND ENGINEERING DRAWING IS GIVEN IN CONFIDENCE AND SHALL BE USED ONLY PURSUANT TO THE AGREEMENT WITH THE ARCHITECT. NO OTHER USE, DISSEMINATION, OR DUPLICATION MAY BE MADE WITHOUT PRIOR WRITTEN CONSENT OF THE ARCHITECT. ALL COMMON LAW RIGHTS OF COPYRIGHT AND OTHERWISE ARE HEREBY SPECIFICALLY RESERVED.



12/22/20
PROFESSIONAL OF RECORD:
JASON E. CHRISTOFF No.20012002143
EXP DATE: 12/31/20

| REV | DESCRIPTION | DATE |
|-----|-------------------|----------|
| 1 | REV-1 Plan Review | 01/27/21 |
| | | |
| | | |

Project No.: 62-40497-01

Client Project No.:

Drawing Title:

PLUMBING SCHEDULES

Date: 12/22/2020 Phase: BID SET

Designed: DCU Drawing No.:

Drawn: DCU

Checked: KFF

P5.1