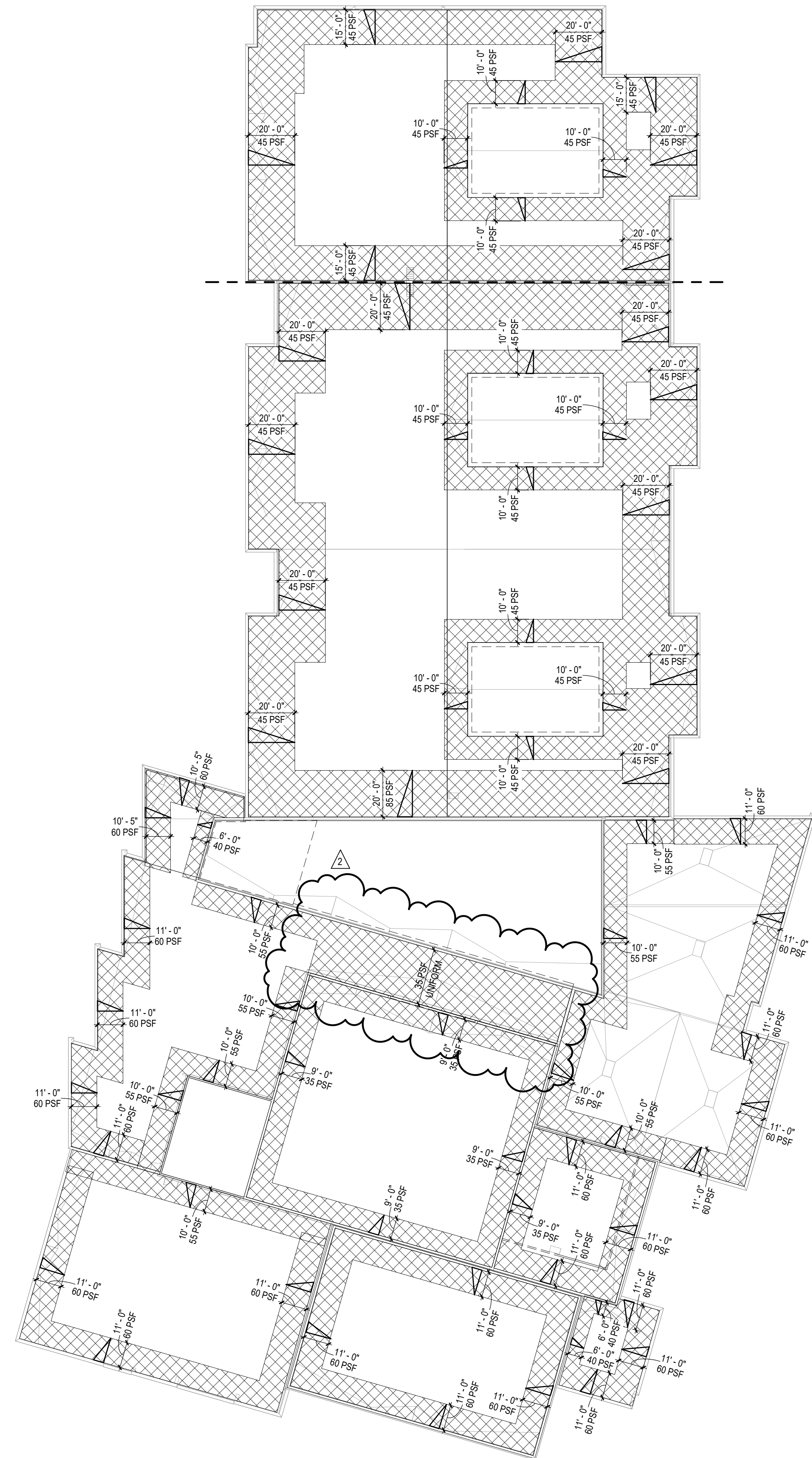
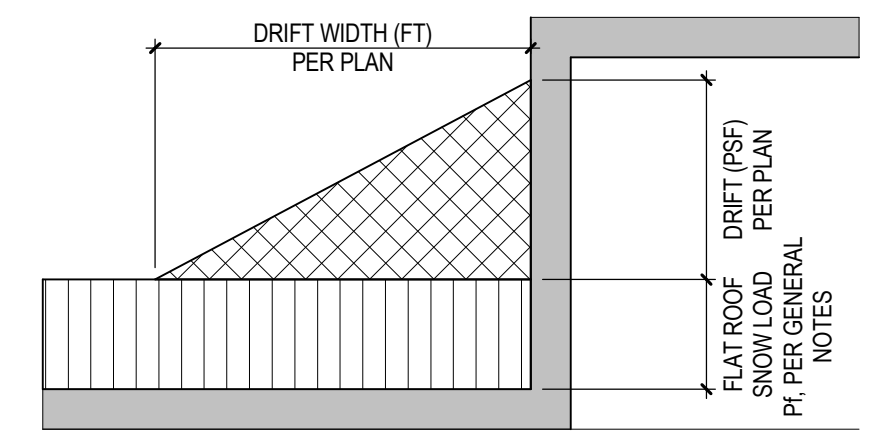


SNOW DRIFT NOTES:

- JOIST SUPPLIER SHALL DISTRIBUTE LOADS TO JOIST BASED ON TRIBUTARY SPACING OF JOISTS
- ALL SPECIAL JOIST CALCULATIONS MUST BE SIGNED AND SEALED BY THE ENGINEER RESPONSIBLE FOR THE WORK AND SUBMITTED WITH HSPD DRAWINGS FOR REVIEW. SUBMIT A REQUEST FOR INFORMATION (RFI) FOR INFORMATION NOT SPECIFICALLY NOTED ON THE DRAWINGS
- JOIST SUPPLIER SHALL DESIGN JOISTS FOR ALL LOADS INDICATED IN THE GENERAL NOTES (S0.1, S0.2), ROOF SNOW DRIFT PLAN (S0.3), ON THE PLAN SHEETS AND ON THE DETAILS & SECTION SHEETS. CONTRACTOR TO COORDINATE ALL WEIGHTS AND LOCATIONS OF EQUIPMENT WITH THE JOIST SUPPLIER PRIOR TO SUBMITTING JOIST SHOP DRAWINGS
- SNOW DRIFT LOADS ARE IN ADDITION TO FLAT ROOF SNOW LOADS ON SHEET S0.1



SNOW DRIFT PLAN
 SCALE: 1/32" = 1'-0"
 NORTH

STRUCTURAL NOTES

- GENERAL STORM SHELTER NOTES:**
- THE PORTION OF STRUCTURE SHOWN ON THIS SHEET IS BASED ON STRUCTURAL RECOMMENDATIONS LISTED IN ICC 500-2014 "CONSISTENT STANDARD FOR THE DESIGN AND CONSTRUCTION OF STORM SHELTERS". SHELTER HAS NOT BEEN CONSTRUCTED WITHIN AN AREA SUSCEPTIBLE TO FLOODING.
 - ALL COMPONENTS THAT MAKE UP THE STORM SHELTER AREA, INCLUDING DEFERRED SUBMITTALS, SHALL BE DESIGNED IN STRICT ACCORDANCE WITH ICC 500 STANDARDS. CALCULATIONS SHALL BE PROVIDED AT EACH CONNECTION FOR VERIFICATION OF LOAD PATH.
 - STORM SHELTER WALL AND SLAB ASSEMBLIES HAVE BEEN SELECTED BASED ON ICC 500 AND FEMA 361 RECOMMENDATIONS. NO ADDITIONAL TESTING OR ANALYSIS HAS BEEN PERFORMED TO ESTIMATE THE DYNAMIC IMPACT OF OBJECTS FOUND IN THE ACTUAL ENVIRONMENT AGAINST THE STRUCTURE.
 - REFER TO ARCHITECTURAL, CIVIL, MEP DRAWINGS FOR STORM SHUTTERS, DOORS, WINDOWS AND ATTACHMENT OF THESE COMPONENTS TO THE BUILDING STRUCTURE.
 - DIAPHRAGM SHEARS HAVE BEEN DISTRIBUTED BASED ON A RIGID DIAPHRAGM ASSUMPTION AND ARE SHOWN AS STRENGTH (ULTIMATE) LEVEL WIND FORCES.
 - LOWER LEVEL SLAB-ON-GRADE IS USED AS A STRUCTURAL DIAPHRAGM DISTRIBUTING FORCES TO THE FOUNDATIONS. CONTRACTOR SHALL SUBMIT A POUR PLAN FOR REVIEW SHOWING PLANNED LOCATIONS FOR CONSTRUCTION JOINTS.

SHELTER TYPE:
COMMUNITY TORNADO

WIND LOADS:
IN ACCORDANCE WITH ASCE 7-10, CHAPTER 26 AND 27 DIRECTIONAL PROCEDURE
BASIC WIND SPEED $V = 250$ MPH

$I_w = 1.0$
PARTIALLY ENCLOSED, EXPOSURE CATEGORY = "C"
 $K_{zt} = 1.0$
 $K_d = 1.0$
 $G_{Cp} = +0.55$

ROOF: 100 PSF

LOAD COMBINATIONS:
1. ALL WIND LOADS SHOWN ON THIS SHEET ARE STRENGTH (ULTIMATE) LEVEL LOADS AND SHALL BE APPLIED WITH THE FOLLOWING LOAD COMBINATIONS IN ADDITION TO THE STANDARD LOAD COMBINATIONS OF ASCE 7-10 CHAPTER 2. COMBINATIONS INDICATED AS N/A ARE SEISMIC LOAD CONDITIONS THAT WILL NOT GOVERN THE DESIGN.

LRFD	ASD
1) 1.4D	1) D
2) 1.2D + 1.6L + 0.5(Lr or S)	2) D + L
3) 1.2D + 1.6(Lr or S) + (E or 0.5W)	3) D + (Lr or S)
4) 1.2D + 1.0W + 1.0(Lr or S)	4) D + 0.75L + 0.75(Lr or S)
5) NA	5) D + 0.6W
6) 0.9D + 1.0W	6) D + 0.75L + 0.75(0.6W) + 0.75(Lr or S)
7) NA	7) 0.9D + 0.6W
	8) NA

ALL LOAD CONDITION DESIGNATIONS ARE PER ASCE 7-10 EXCEPT THE FOLLOWING:
 W_e = EXTREME WIND EVENT WIND LOAD

TORNADO MISSILE IMPACT CRITERIA:
1. MANUFACTURERS SHALL PROVIDE DATA INDICATING THAT ALL STRUCTURAL PRODUCTS MEET THE IMPACT CRITERIA TEST REQUIRED BY ICC-500 INCLUDING THE IMPACT FROM THE END OF A 15-LB 2x4 AT THE FOLLOWING VELOCITY:

- VERTICAL SURFACES = 100 MPH
- HORIZONTAL SURFACES = 67 MPH

2. ALL COMPONENTS OF THE STORM SHELTER ENVELOPE SHALL BE TESTED IN ACCORDANCE WITH ICC-500, SECTION 304 (PRESSURE) AND SECTION 305 (IMPACT).

QUALITY ASSURANCE, SPECIAL INSPECTIONS AND STRUCTURAL OBSERVATIONS FOR STORM SHELTER (ICC 500-2014):
THE FOLLOWING SPECIAL INSPECTION REQUIREMENTS SHALL BE PERFORMED ON ALL STORM SHELTER COMPONENTS IN ADDITION TO SPECIAL INSPECTION REQUIREMENTS AS STATED IN 2015 IBC ON SHEET S0.2

1. QUALITY ASSURANCE FOR WIND REQUIREMENTS PLAN SHALL BE PROVIDED IN ACCORDANCE WITH SECTION 1706 FOR ALL COMPONENTS MAKING UP THE STRUCTURAL SYSTEM OF THE STORM SHELTER AS FOLLOWS:

- THE MAIN WIND FORCE-RESISTING SYSTEM THAT IS SUBJECT TO QUALITY ASSURANCE ARE THE:
 - PRECAST CONCRETE ROOF STRUCTURE, INCLUDING ROOF DIAPHRAGM CONNECTIONS, REINFORCEMENT, CHORDS, COLLECTORS, AND CONNECTIONS TO SHEAR WALLS
 - PRECAST CONCRETE SHEAR WALLS INCLUDING CONNECTION TO DIAPHRAGMS, WALL PANEL TO PANEL CONNECTIONS AND PANEL TO FOOTING CONNECTIONS.
 - CONCRETE FOUNDATIONS
 - FABRICATION AND INSTALLATION OF COMPONENTS AND ASSEMBLIES AT SHELTER ENVELOPE REQUIRED TO MEET MISSILE IMPACT TESTING OF ICC 500 INCLUDING DOORS, WINDOWS, AND OPENING PROTECTION DEVICES.

2. SPECIAL INSPECTIONS REQUIRED ARE INDICATED UNDER SPECIAL INSPECTION ON SHEET S0.2 AND THE ADDITIONAL REQUIREMENTS OF SECTION 1706 OF THE IBC. MATERIALS TESTING REQUIRED IS INDICATED UNDER THE SPECIFICATION FOR EACH MATERIAL.

3. STRUCTURAL OBSERVATIONS SHALL BE PERFORMED BY A REGISTERED DESIGN PROFESSIONAL EMPLOYED BY THE OWNER TO CONDUCT VISUAL OBSERVATIONS OF THE CONSTRUCTION OF THE STRUCTURAL SYSTEM FOR GENERAL CONFORMANCE TO THE APPROVED CONSTRUCTION DOCUMENTS AT SIGNIFICANT CONSTRUCTION STAGES AND AT COMPLETION OF THE CONSTRUCTION OF THE STRUCTURAL SYSTEM.

4. DISTRIBUTION OF OBSERVATION, TESTING AND SPECIAL INSPECTION REPORTS SHALL BE WITHIN TWENTY-FOUR (24) HOURS AFTER EACH SPECIAL INSPECTION, SUBMIT TWO (2) COPIES OF INSPECTION REPORTS TO THE CONTRACTOR, ARCHITECT AND BUILDING OFFICIAL.

5. CONTRACTOR RESPONSIBILITY: EACH CONTRACTOR RESPONSIBLE FOR THE CONSTRUCTION OF A MAIN-FORCE RESISTING SYSTEM, OR A WIND-RESISTING COMPONENT LISTED IN THE QUALITY ASSURANCE PLAN, SHALL SUBMIT A WRITTEN CONTRACTOR'S STATEMENT OF RESPONSIBILITY TO THE BUILDING OFFICIAL AND TO THE OWNER PRIOR TO THE COMMENCEMENT OF WORK ON THE SYSTEM OR COMPONENTS. THE CONTRACTOR'S STATEMENT OF RESPONSIBILITY SHALL INCLUDE THE FOLLOWING:

- ACKNOWLEDGEMENT OF AWARENESS OF THE SPECIAL REQUIREMENTS CONTAINED IN THE QUALITY ASSURANCE PLAN.
- ACKNOWLEDGE THAT CONTROL WILL BE EXERCISED TO OBTAIN CONFORMANCE WITHIN THE CONSTRUCTION DOCUMENTS APPROVED BY THE BUILDING OFFICIAL.
- PROCEDURES FOR EXERCISING CONTROL, WITHIN THE CONTRACTOR'S ORGANIZATION THE METHOD AND FREQUENCY OF REPORTING, AND DISTRIBUTION OF THE REPORTS.
- IDENTIFICATION AND QUALIFICATIONS OF THE PERSON(S) EXERCISING SUCH CONTROL AND THEIR POSITION IN THE ORGANIZATION.

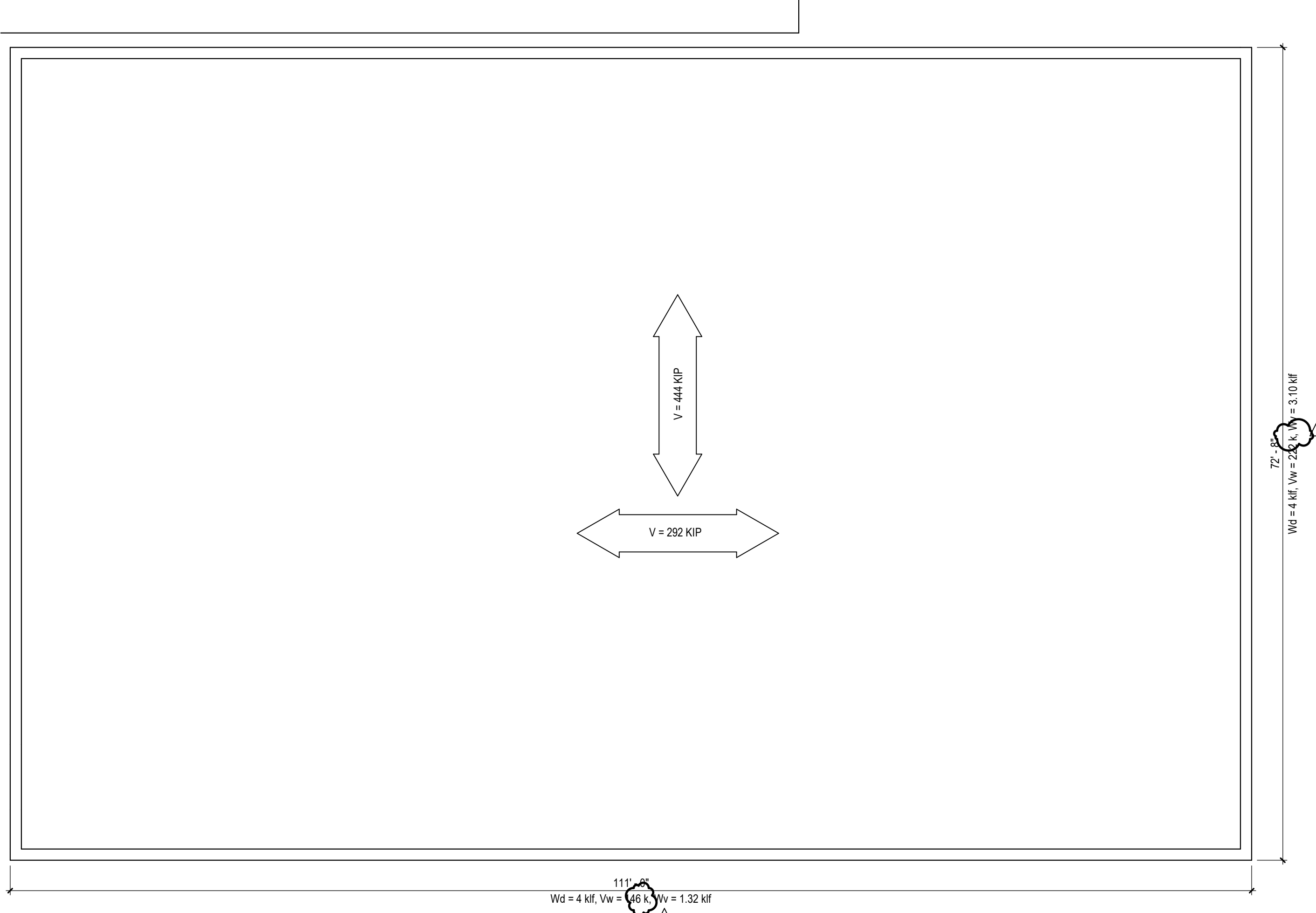
COMPONENT AND CLADDING WIND LOADS:
ALL LOADS SHALL BE CONSIDERED AS POSITIVE OR NEGATIVE:

- WALLS:
 - $W_x = 250$ PSF (ZONE 4, TYP)
 - $W_x = 300$ PSF (ZONE 5, WITHIN 8'-0" OF CORNERS)
- PARAPETS:
 - $W_x = 520$ PSF (CASE A ZONE 2)
 - $W_x = 520$ PSF (CASE A ZONE 3)
 - $W_x = 310$ PSF (CASE B INTERIOR)
 - $W_x = 350$ PSF (CASE B CORNER)
- ROOFS:
 - $W_x = 360$ PSF (UPLIFT ZONE 1)
 - $W_x = 240$ PSF (UPLIFT ZONE 1')
 - $W_x = 450$ PSF (UPLIFT ZONE 2)
 - $W_x = 450$ PSF (UPLIFT ZONE 2')
 - $W_x = 140$ PSF (POSITIVE ZONE 1 & 1')
 - $W_x = 240$ PSF (POSITIVE ZONE 2 & 3)

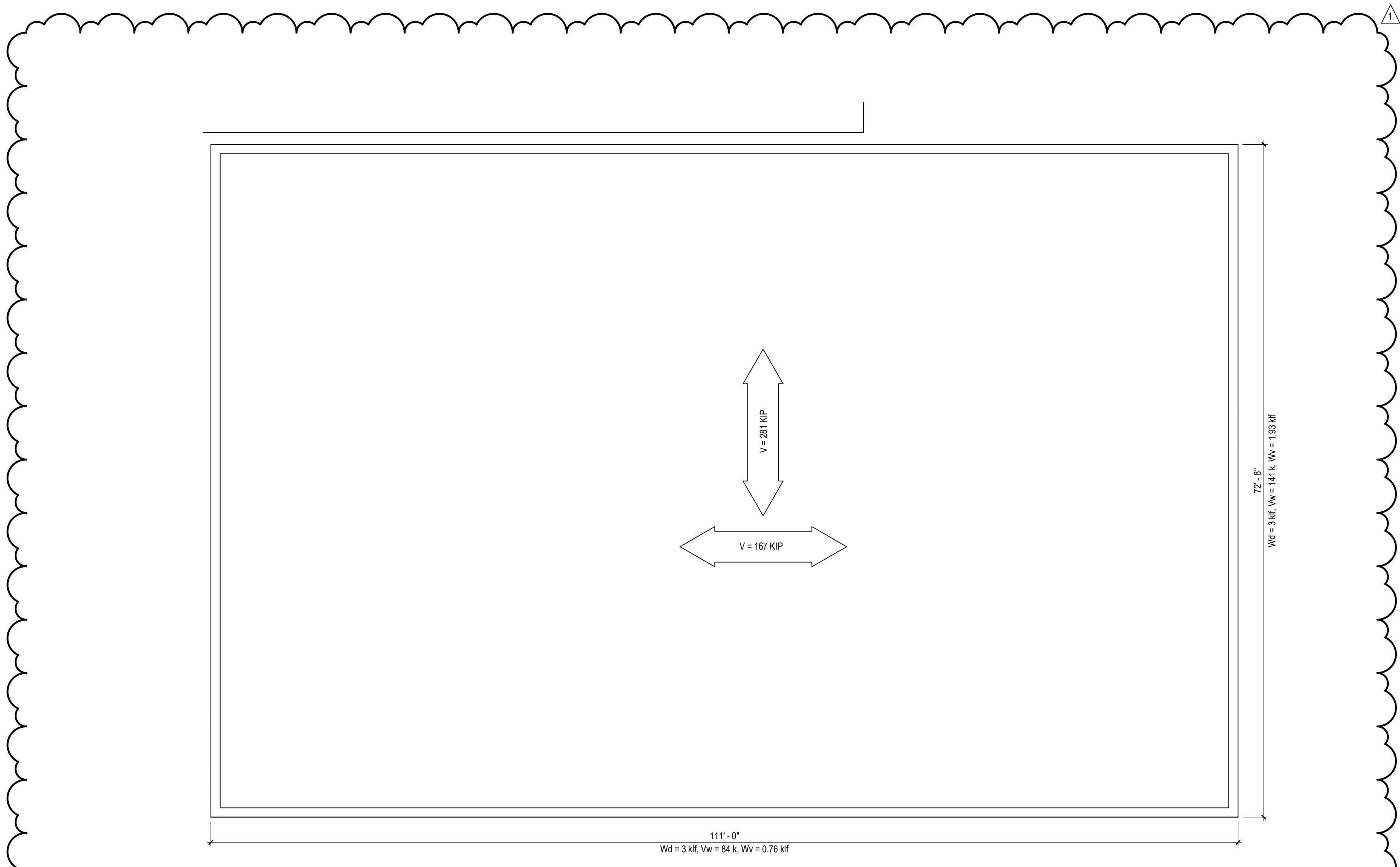
MAIN WIND FORCE RESISTING SYSTEM LOADS (MWFRS):

- $W_x = 200$ PSF (WINDWARD)
- $W_x = 150$ PSF (LEEWARD)
- $W_x = 185$ PSF (SIDE WALL)
- USE 200 PSF AGAINST WALL IN EACH ORTHOGONAL DIRECTION
- $W_x = 210$ PSF (ROOF UPLIFT PRESSURE)
- $W_x = 250$ PSF (WINDWARD NET PARAPET PRESSURE)
- $W_x = 170$ PSF (LEEWARD NET PARAPET PRESSURE)

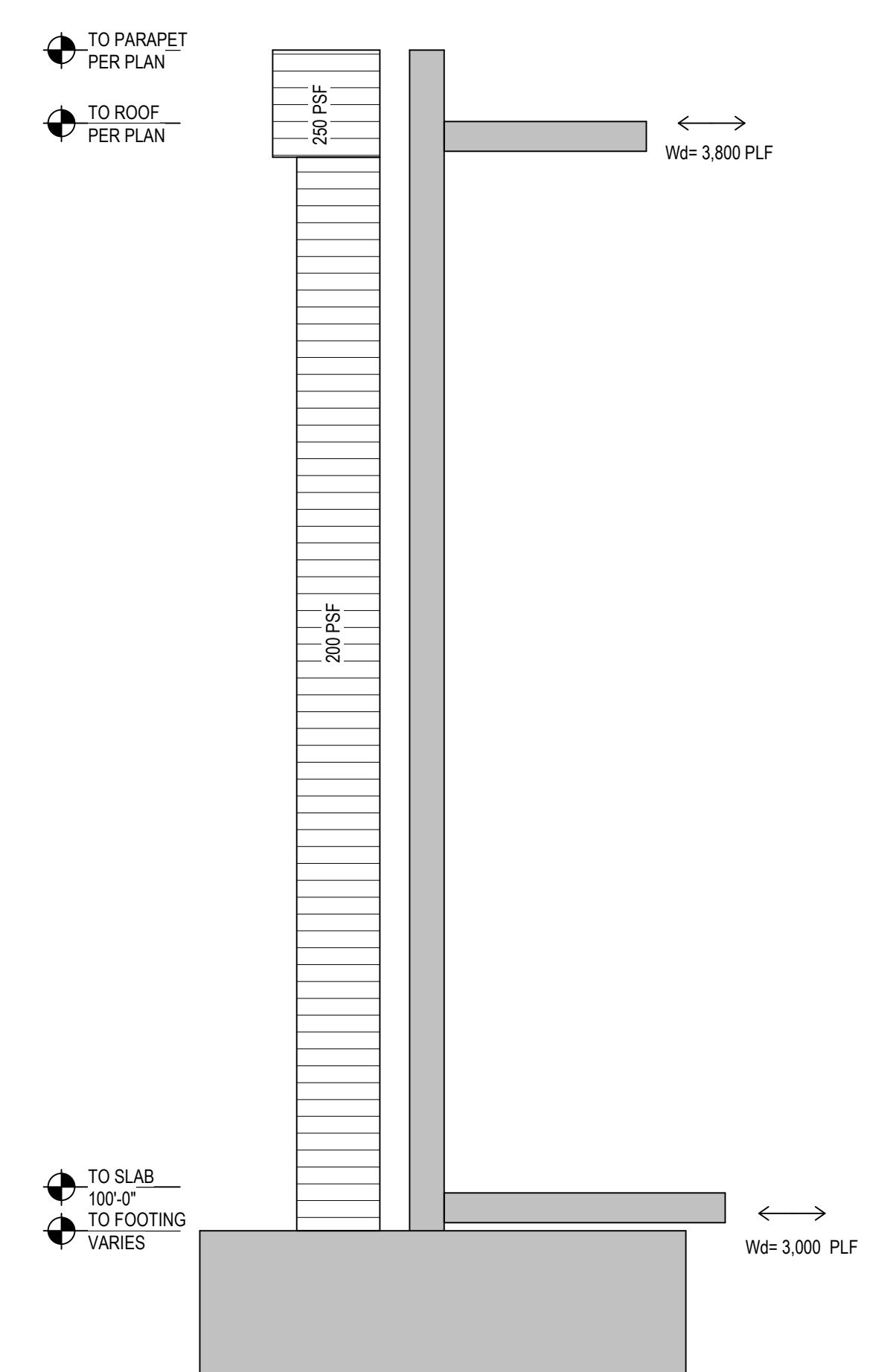
NOTATIONS:
 V = TOTAL DIAPHRAGM SHEAR DUE TO EXTREME WIND EVENT IN DIRECTION INDICATED.
 W_d = UNIFORMLY DISTRIBUTED LOAD APPLIED TO ROOF DIAPHRAGM (PERPENDICULAR TO WALL)
 W_e = TOTAL SHEAR LOAD RESISTED BY THE ENTIRE LENGTH OF SHEAR WALL FROM DIAPHRAGM FORCE DISTRIBUTION
 W_s = DIAPHRAGM SHEAR WALL FORCE OVER THE LENGTH OF THE WALL (PARALLEL TO WALL)



SHELTER ROOF PLAN (MWFRS)
SCALE: 1/8" = 1'-0"
NORTH




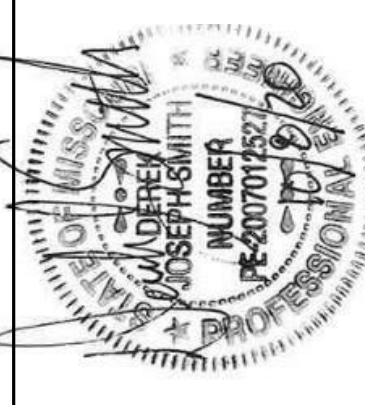
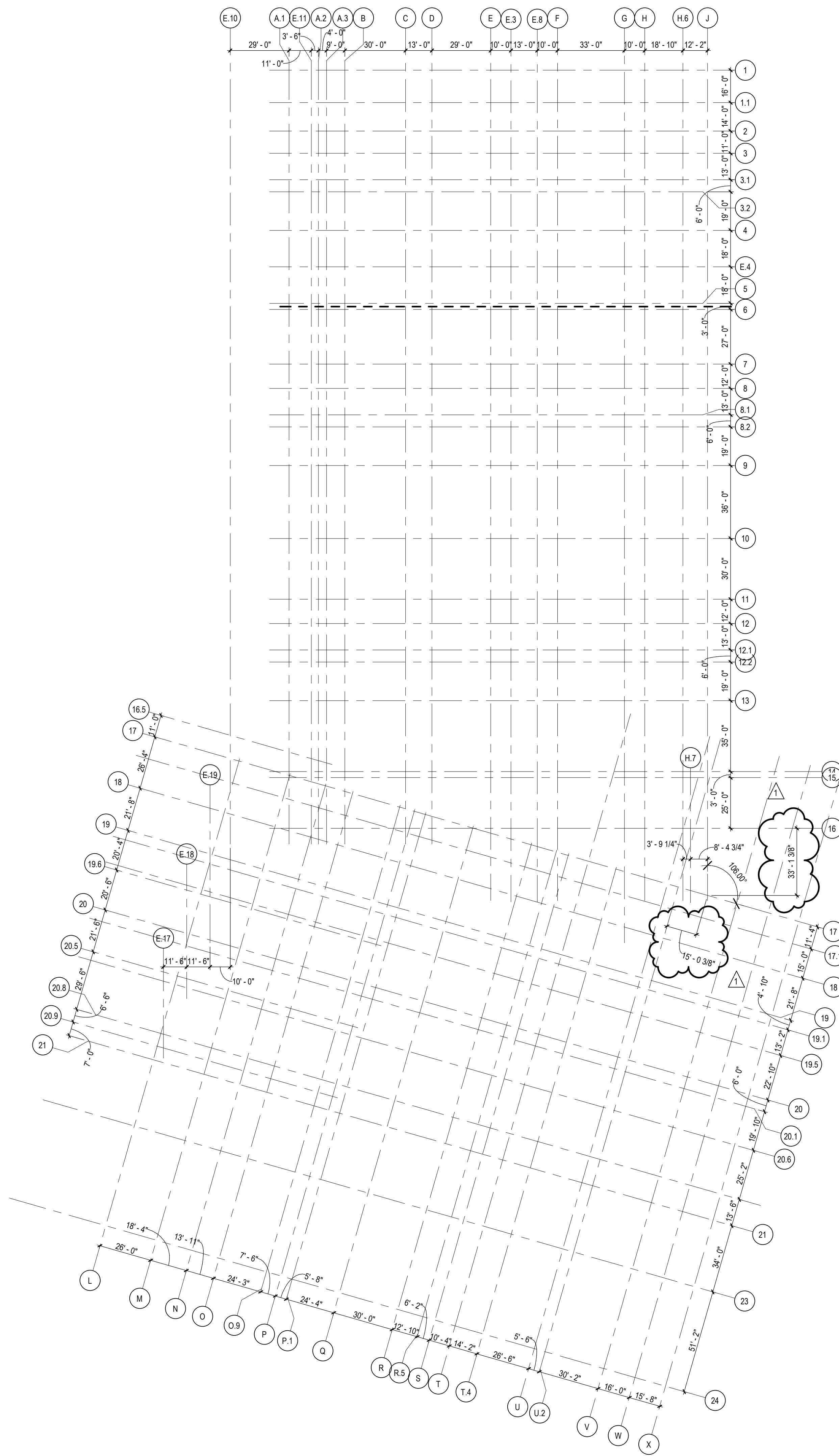
SHELTER SLAB ON GRADE PLAN (MWFRS)
SCALE: 1/8" = 1'-0"
NORTH



SHELTER WINDWARD WALL SECTION (MWFRS)
SCALE: 1/4" = 1'-0"

BM_350/15-20102-001 Lees Summit Middle School 4/15/2010 11:02:00 Lees Summit Middle School 4_ST_2020.rvt
10/19/2020 11:10:54 AM

 **GRID GEOMETRY**
SCALE: 1/32" = 1'-0"



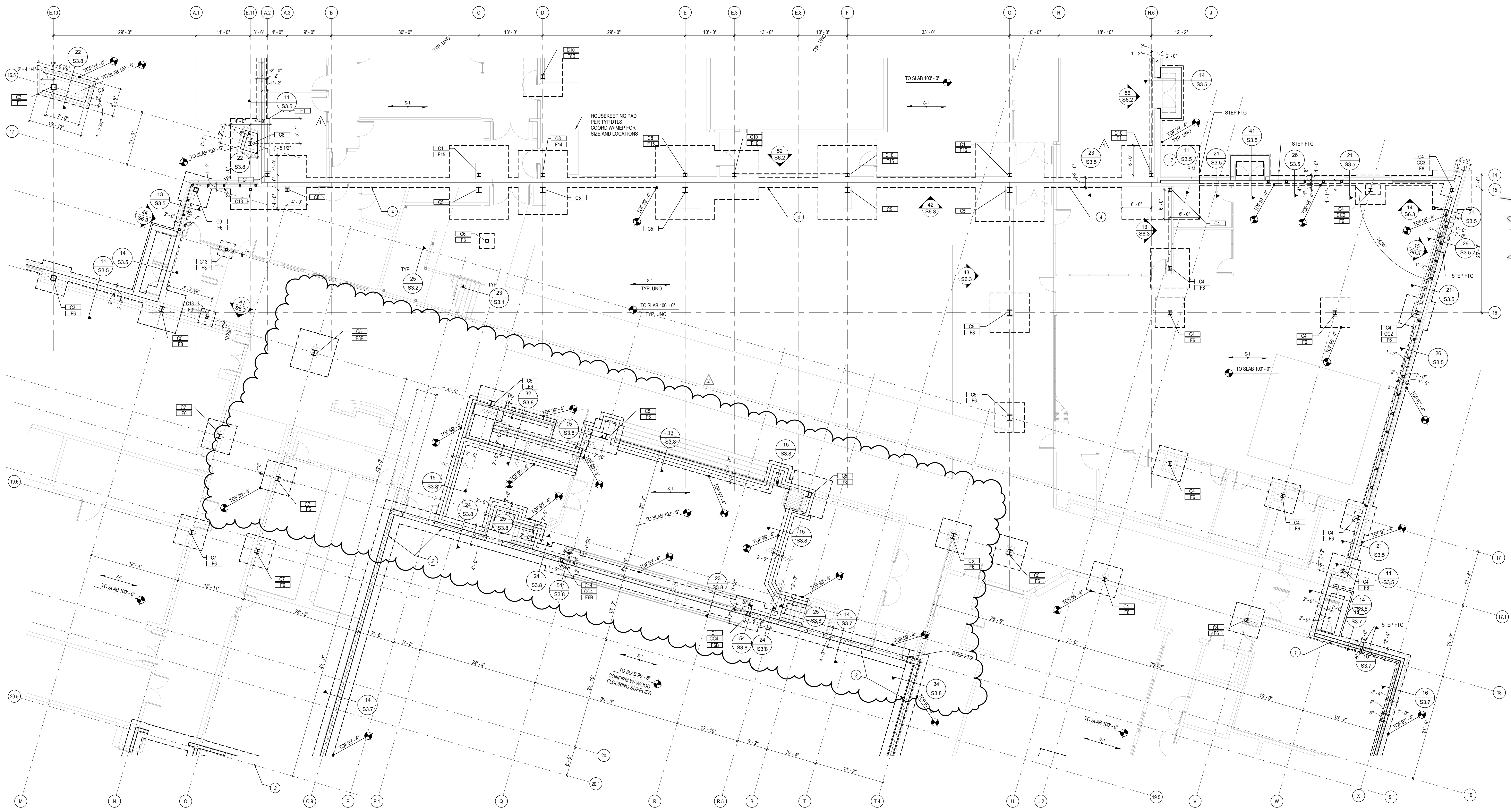
LEE'S SUMMIT MIDDLE SCHOOL #4
LEE'S SUMMIT R-7 SCHOOL DISTRICT

1001 SE BAILEY ROAD
LEE'S SUMMIT, MO 64681

PACKAGE 3 - BUILDING & SITE
- ISSUE FOR PERMIT
10/08/20
REVISIONS
1 ACCENDUM 002 10/19/20

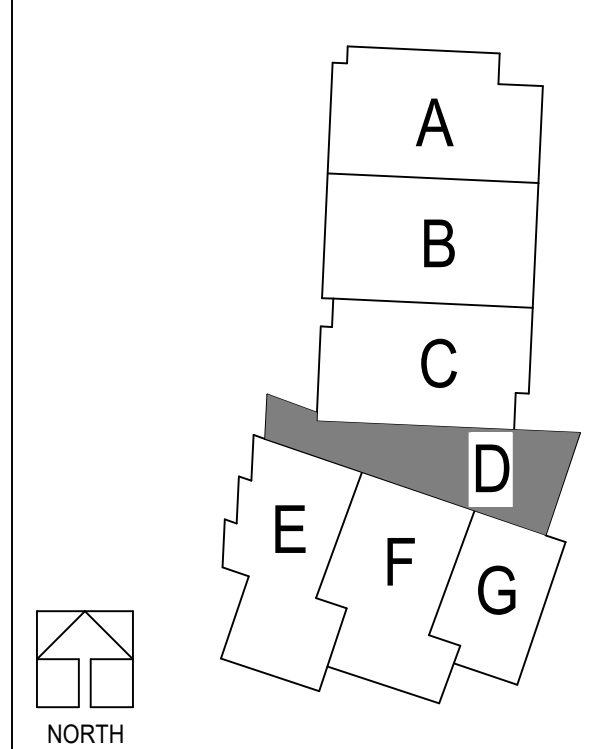
13-20102-00
GRID GEOMETRY
PLAN

S0.5



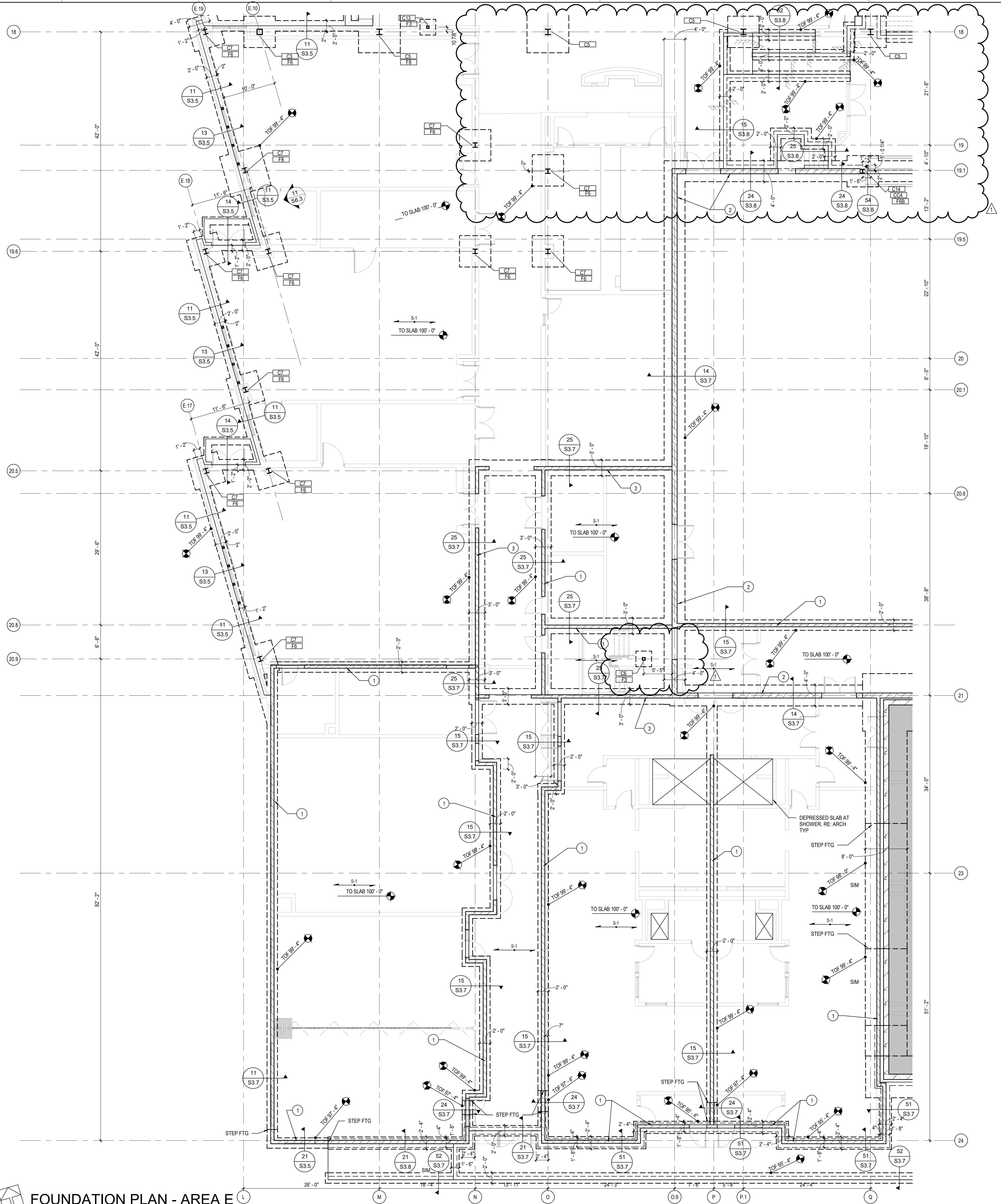
FOUNDATION PLAN - AREA D
SCALE: 1/8" = 1'-0"
NORTH

KEY PLAN



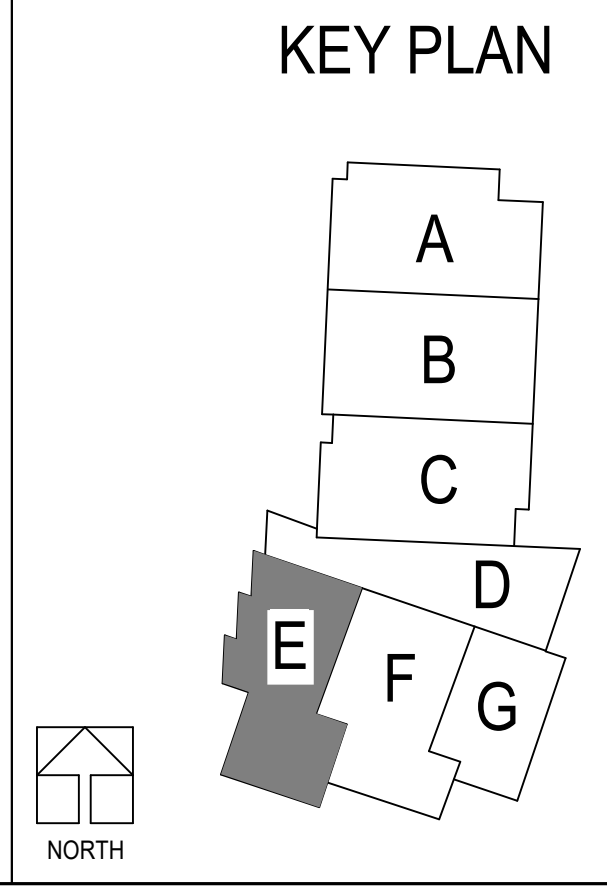
- 1 8" CMU LOAD-BEARING WALL, REINFORCE PER GENERAL NOTES.
- 2 12" CMU LOAD-BEARING WALL, REINFORCE PER GENERAL NOTES.
- 3 8" CMU LOAD-BEARING WALL, REINFORCE WITH (1) #5 VERTICAL @ 16" OC.
- 4 8" CMU LOAD-BEARING WALL, REINFORCE WITH (2) #5 VERTICAL @ 8" OC.





FOUNDATION PLAN - AREA E
SCALE: 1/8" = 1'-0"

- 1 8" CMU LOAD-BEARING WALL, REINFORCE PER GENERAL NOTES.
- 2 12" CMU LOAD-BEARING WALL, REINFORCE PER GENERAL NOTES.
- 3 8" CMU LOAD-BEARING WALL, REINFORCE WITH (1) #5 VERTICAL @ 16" OC.
- 4 8" CMU LOAD-BEARING WALL, REINFORCE WITH (2) #5 VERTICAL @ 8" OC.



LEE'S SUMMIT MIDDLE SCHOOL #4
LEE'S SUMMIT R-7 SCHOOL DISTRICT

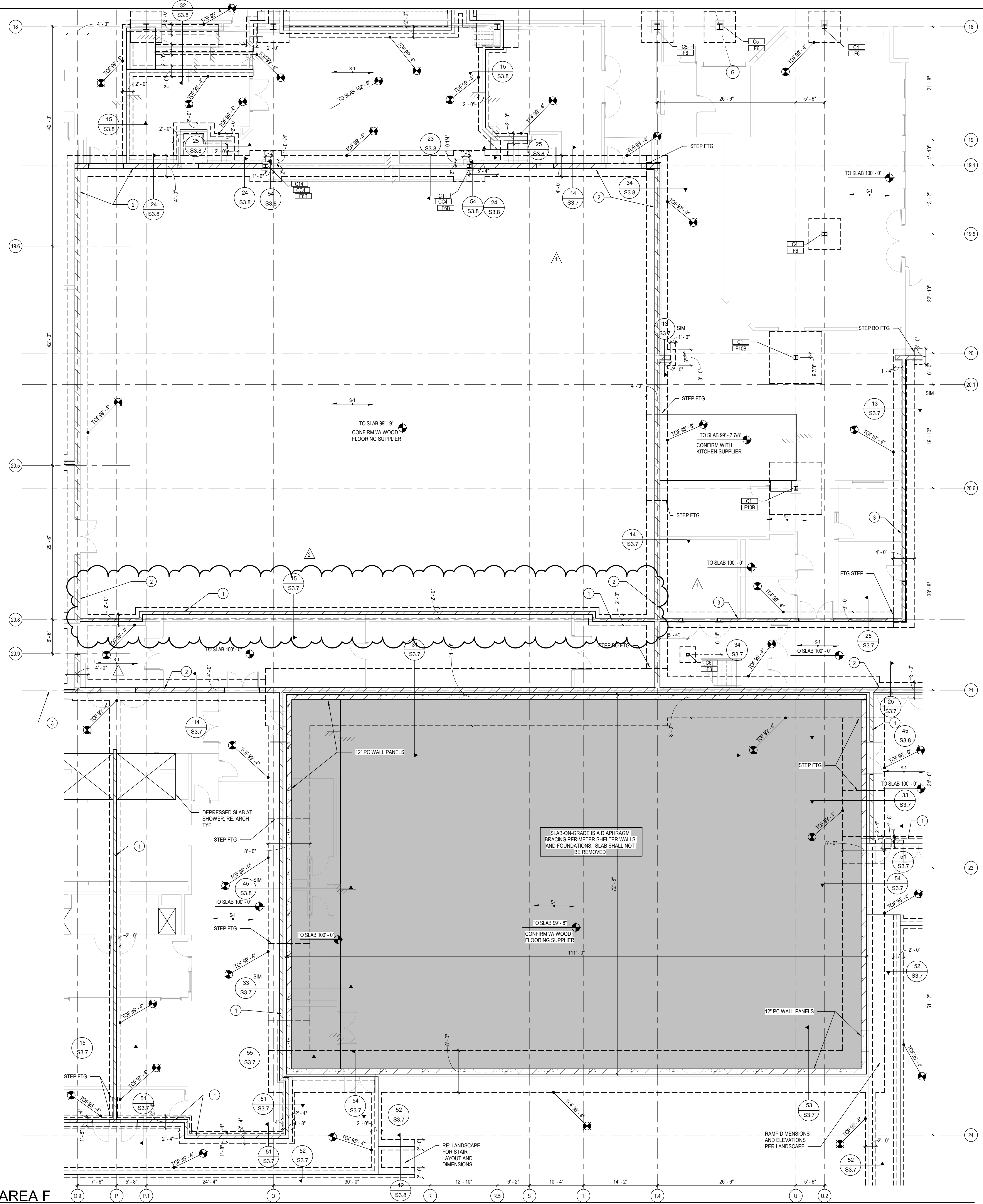
1001 SE BAILEY ROAD
LEE'S SUMMIT, MO 64681

PACKAGE 3 - BUILDING & SITE
- ISSUE FOR PERMIT
10/08/20
REVISIONS
1 ACCENDUM 002 10/19/20

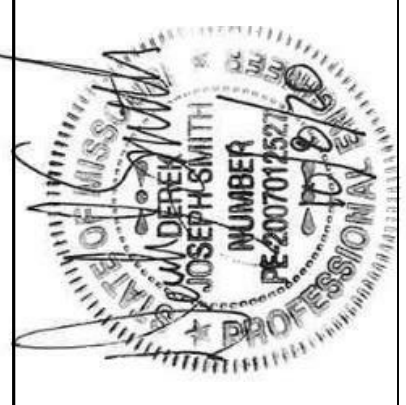
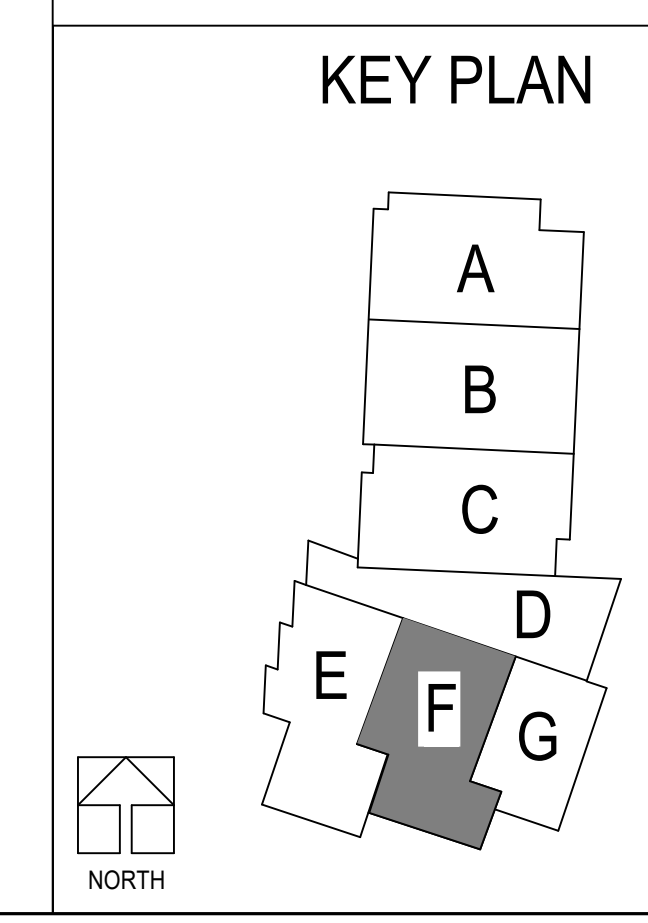
13-20102-00
FOUNDATION
PLAN - AREA E

S1.1E

B:\360\13-20102-00\Lee's Summit Middle School 4\13-20102-00_Lee's Summit Middle School_4_ST_2020.dwg
10/19/2020 11:11:26 AM



- 1 6" CMU LOAD-BEARING WALL, REINFORCE PER GENERAL NOTES.
- 2 12" CMU LOAD-BEARING WALL, REINFORCE PER GENERAL NOTES.
- 3 6" CMU LOAD-BEARING WALL, REINFORCE WITH (1) #5 VERTICAL @ 16" OC.
- 4 6" CMU LOAD-BEARING WALL, REINFORCE WITH (2) #5 VERTICAL @ 16" OC.



LEE'S SUMMIT MIDDLE SCHOOL #4
 LEE'S SUMMIT R-7 SCHOOL DISTRICT
 1001 SE BAILEY ROAD
 LEE'S SUMMIT, MO 64681

PACKAGE 3 - BUILDING & SITE
 - ISSUE FOR PERMIT
 10/08/20
 REVISIONS
 1 ACCEMUM 002 10/19/20
 2 PR001 11/11/20

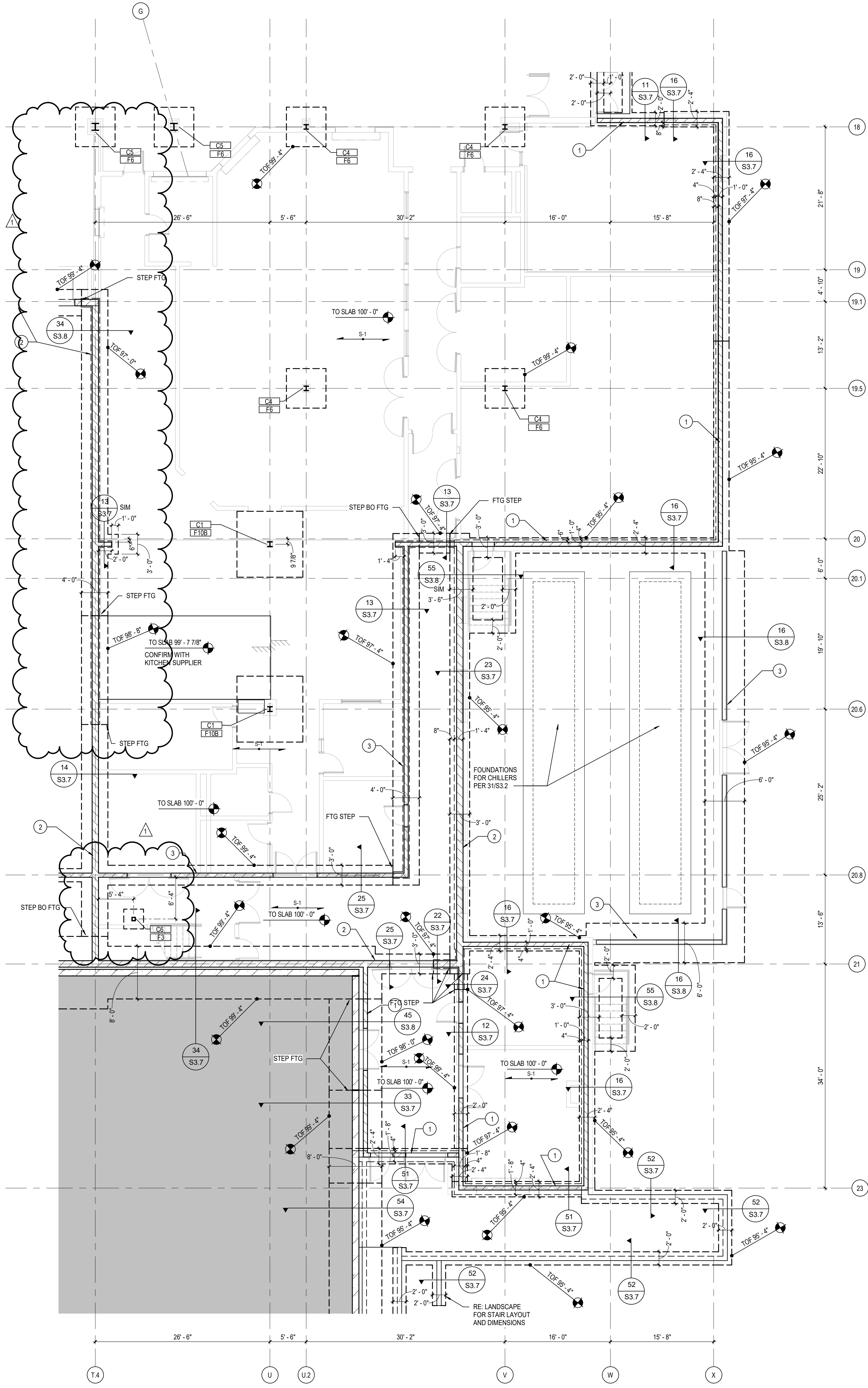
13-20102-00
 FOUNDATION
 PLAN - AREA F

S1.1F

B:\13-20102-00\Lee's Summit Middle School 4\13-20102-00_Lee's Summit Middle School - S1_2020.rvt
 11/4/2020 3:52:24 PM

FOUNDATION PLAN - AREA F
 SCALE: 1/8" = 1'-0"

B:\13-20102-00\Lee's Summit Middle School 415-20102-00_Lee's Summit Middle School_4_ST_2020.rvt
 10/19/2020 11:11:59 AM



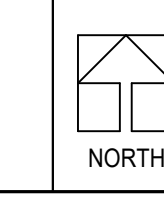
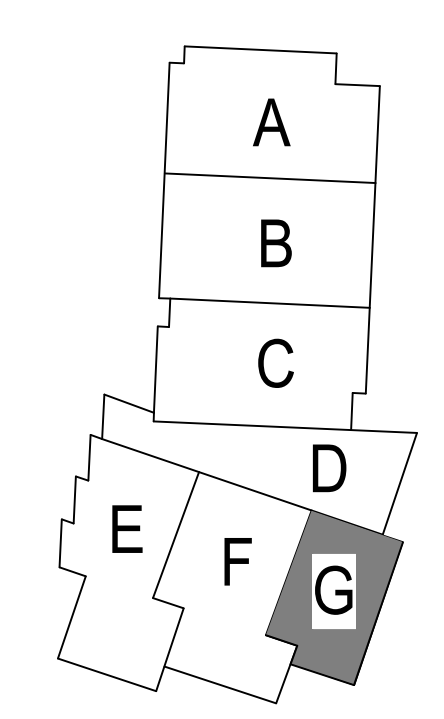
- 1 8" CMU LOAD-BEARING WALL, REINFORCE PER GENERAL NOTES.
- 2 12" CMU LOAD-BEARING WALL, REINFORCE PER GENERAL NOTES.
- 3 8" CMU LOAD-BEARING WALL, REINFORCE WITH (1) #5 VERTICAL @ 16" OC.
- 4 8" CMU LOAD-BEARING WALL, REINFORCE WITH (2) #5 VERTICAL @ 8" OC.



LEE'S SUMMIT MIDDLE SCHOOL #4
 LEE'S SUMMIT R-7 SCHOOL DISTRICT
 1001 SE BAILEY ROAD
 LEE'S SUMMIT, MO 64681

PACKAGE 3 - BUILDING & SITE
 - ISSUE FOR PERMIT
 10/08/20
 REVISIONS
 1 ACCENDUM 002 10/19/20

KEY PLAN

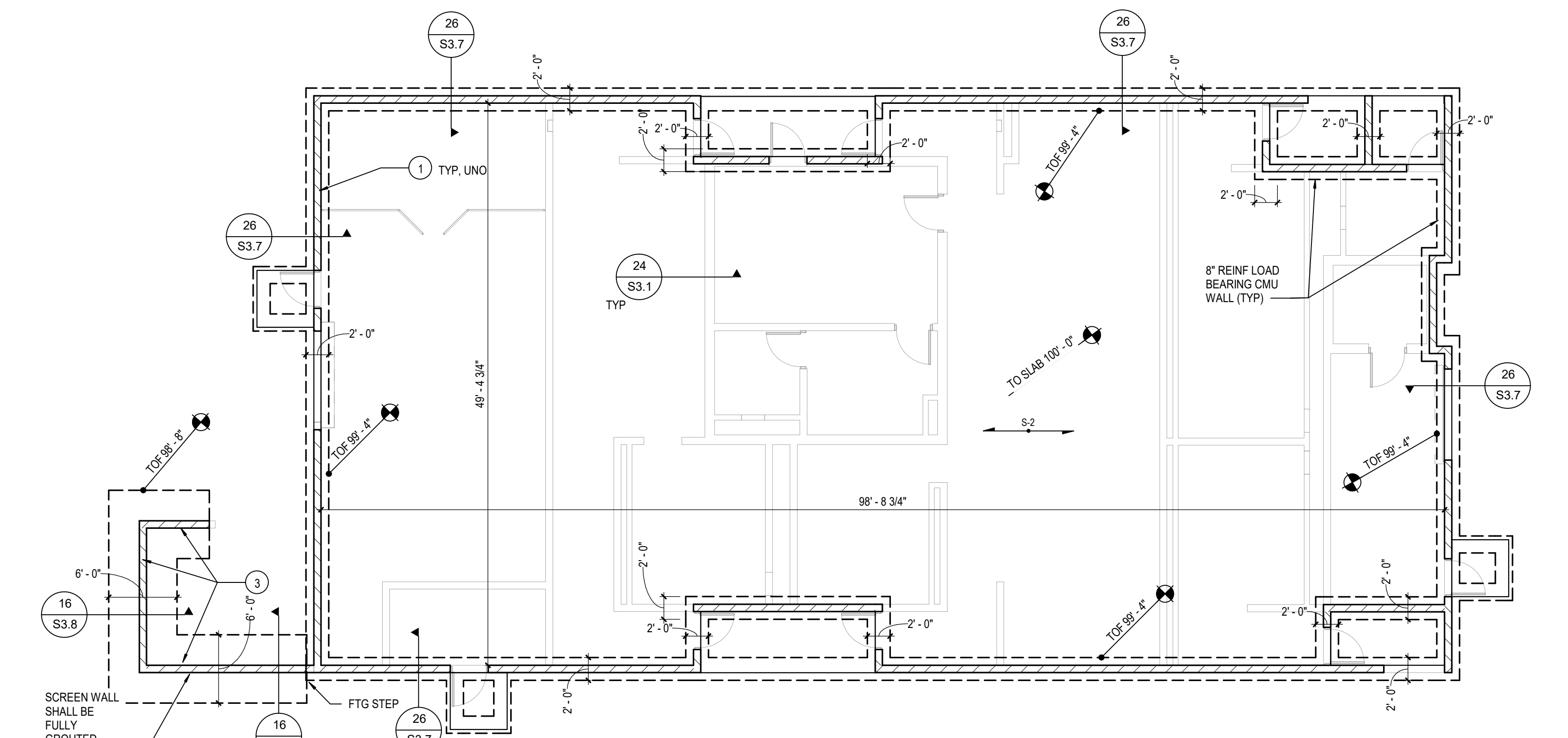
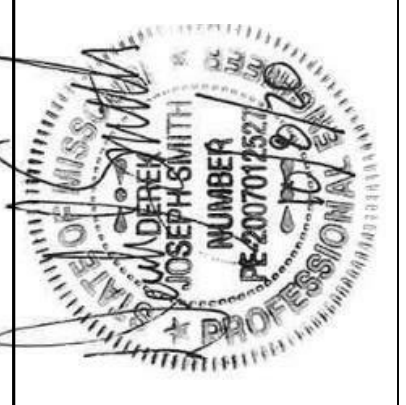


FOUNDATION PLAN - AREA G
 SCALE: 1/8" = 1'-0"

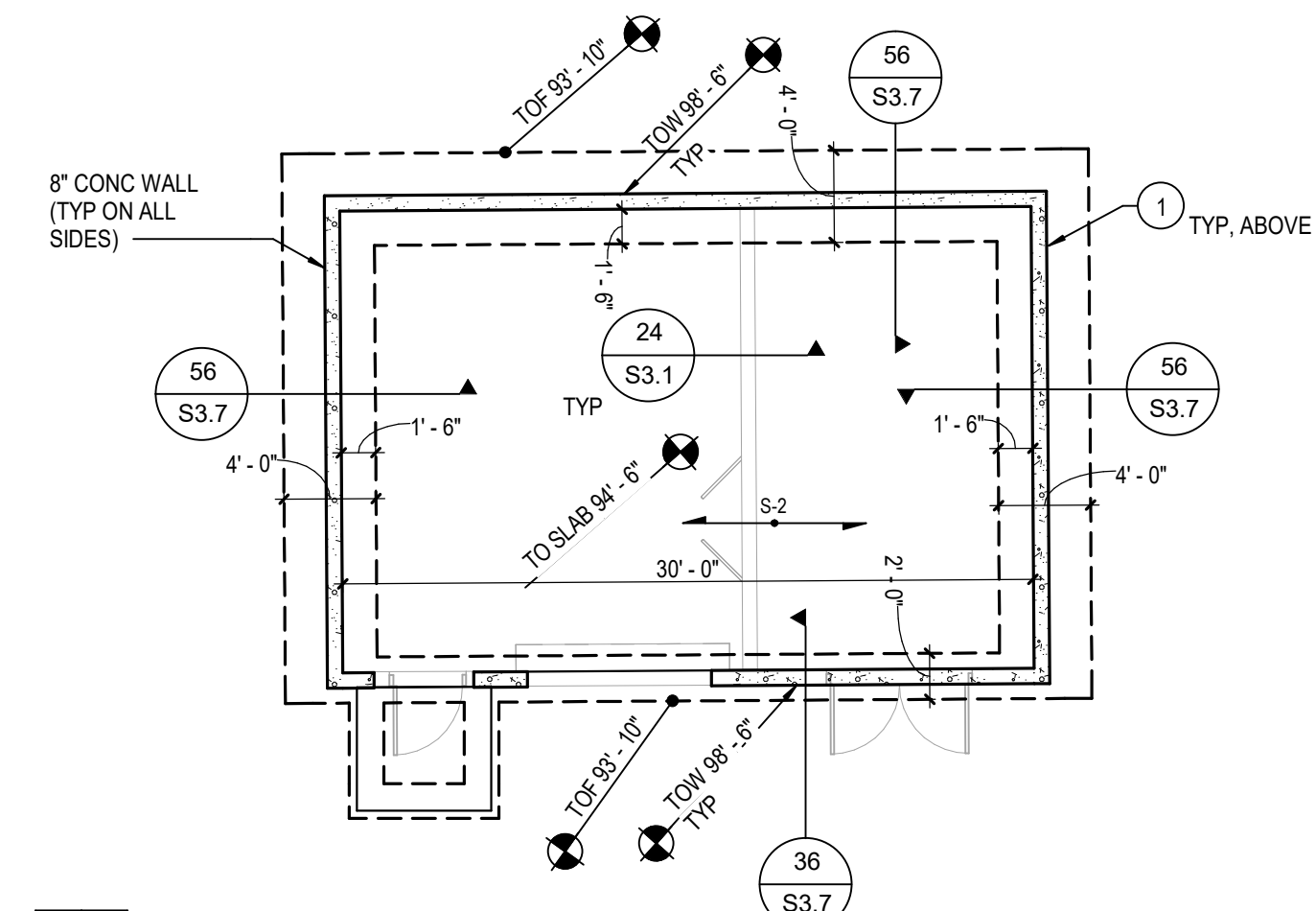
13-20102-00
 FOUNDATION
 PLAN - AREA G

S1.1G

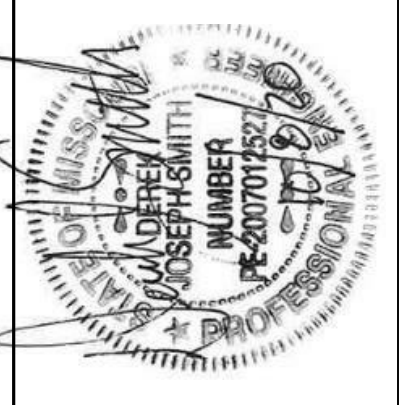
- 1 8" CMU LOAD-BEARING WALL, REINFORCE PER GENERAL NOTES.
- 2 12" CMU LOAD-BEARING WALL, REINFORCE PER GENERAL NOTES.
- 3 8" CMU LOAD-BEARING WALL, REINFORCE WITH (1) #5 VERTICAL @ 18" OC
- 4 8" CMU LOAD-BEARING WALL, REINFORCE WITH (2) #5 VERTICAL @ 8" OC.



FOUNDATION PLAN - AREA S
 SCALE: 1/8" = 1'-0"
 NORTH



FOUNDATION PLAN - AREA T
 SCALE: 1/8" = 1'-0"
 NORTH



LEE'S SUMMIT MIDDLE SCHOOL #4
 LEE'S SUMMIT R-7 SCHOOL DISTRICT

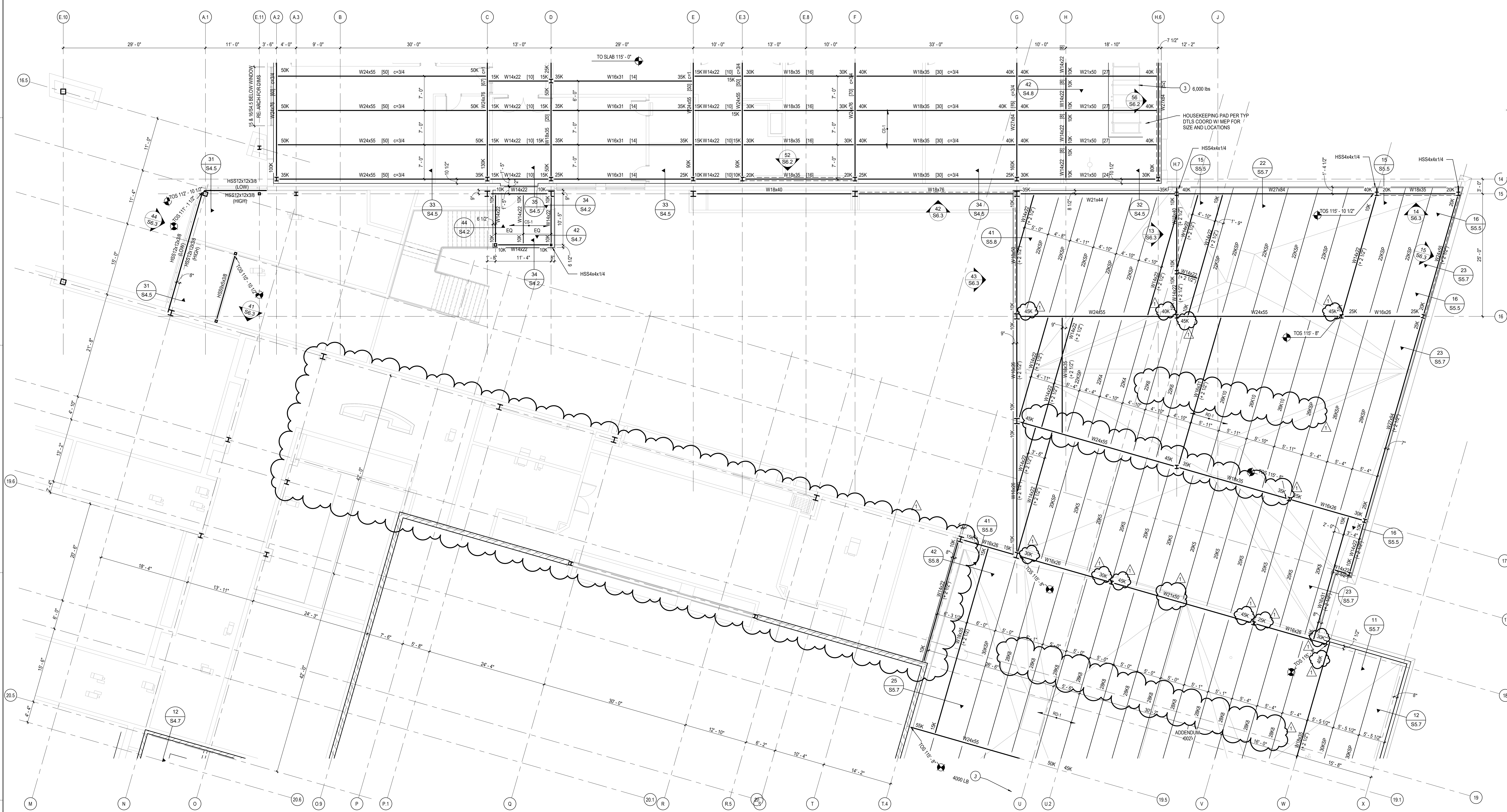
1001 SE BAILEY ROAD
 LEE'S SUMMIT, MO 64681

PACKAGE 3 - BUILDING & SITE
 - ISSUE FOR PERMIT
 10/08/20
 REVISIONS
 1 ACCENDUM 002 10/19/20

13-20102-00

LOW ROOF
 FRAMING PLAN -
 AREA D

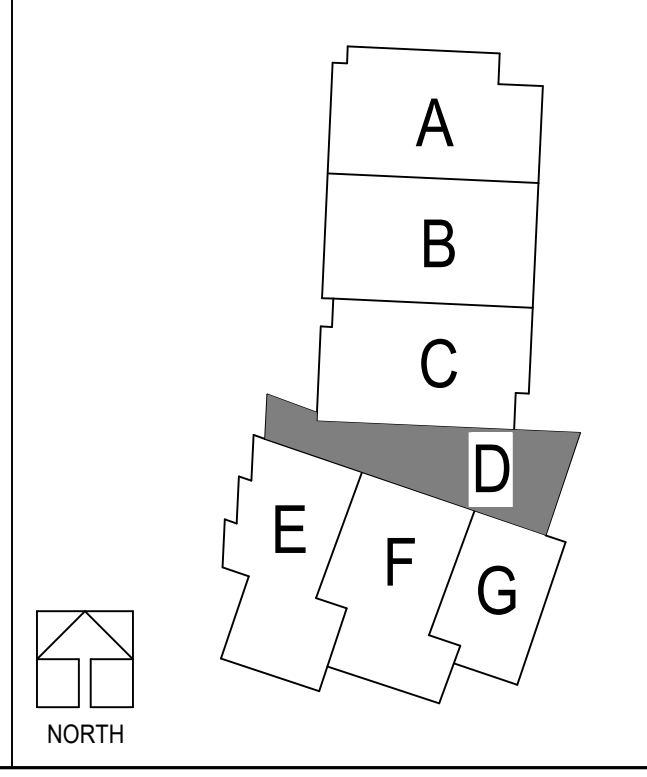
S2.1D



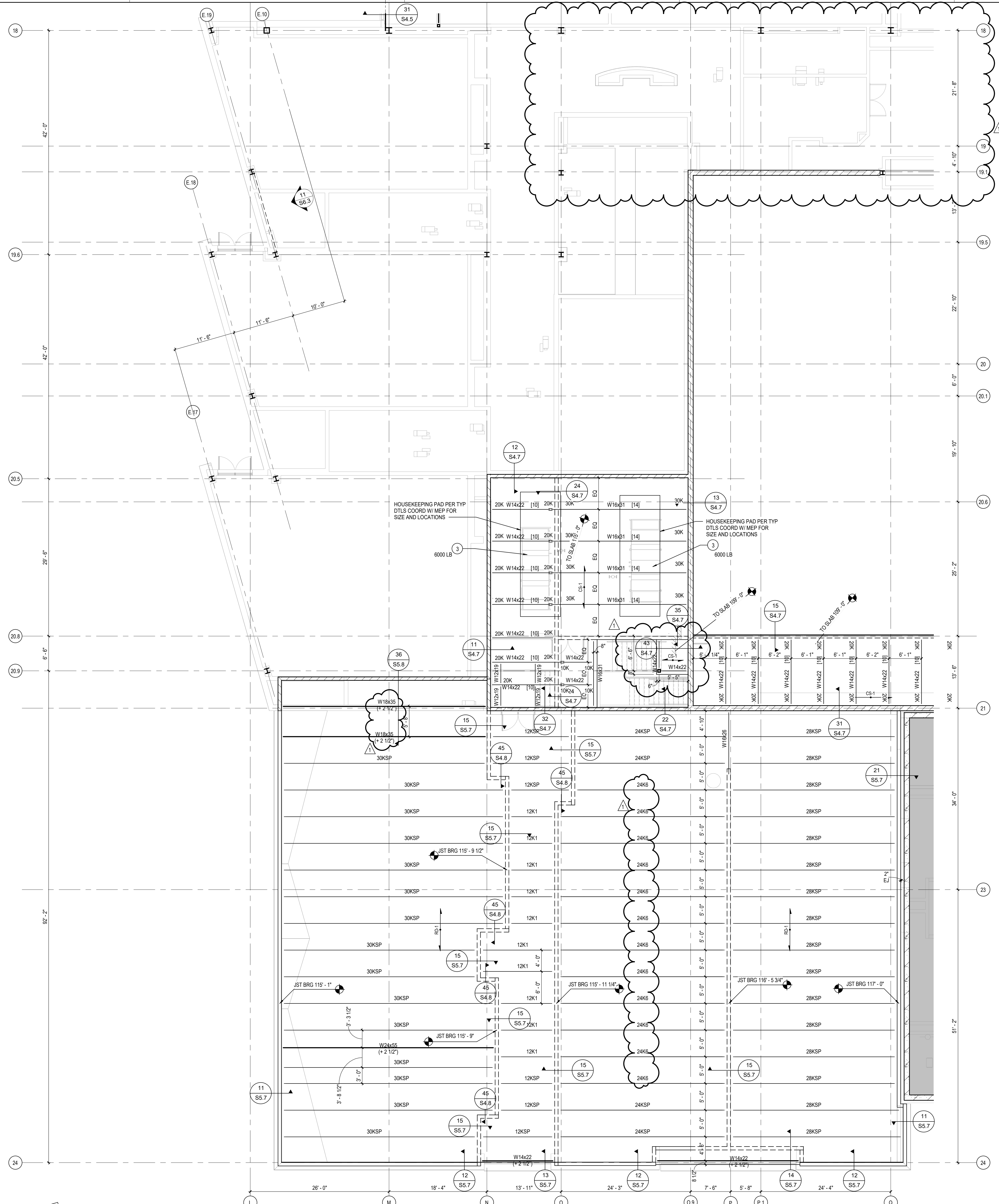
FLOOR FRAMING PLAN - AREA D
 SCALE: 1/8" = 1'-0"
 NORTH

- 1 BOTTOM FLANGE BRACE PER TYPICAL DETAIL PER 50/SA.2 AND 51/SS.1
- 2 ROOF HATCH PER ARCHITECTURAL DRAWINGS. PROVIDE 2/285.1.
- 3 MECHANICAL UNIT OF MAXIMUM WEIGHT INDICATED. CONFIRM WITH MECHANICAL SUPPLIER.
- 4 GYM EQUIPMENT ALLOWANCE OF WEIGHT INDICATED. CONFIRM WEIGHT AND DETAILS WITH ACTUAL EQUIPMENT SELECTED. CONNECTIONS TO ROOF STRUCTURE IS BY THE GYM EQUIPMENT SUPPLIER.

KEY PLAN

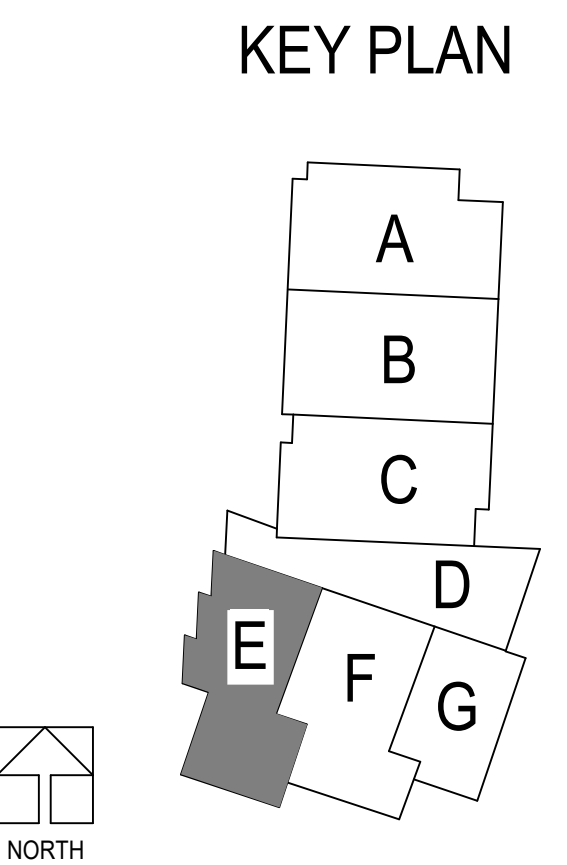


B:\13-20102-00\Lee's Summit Middle School 4\13-20102-00_Lee's Summit Middle School_4_ST_2020.rvt
 10/19/2020 11:12:16 AM

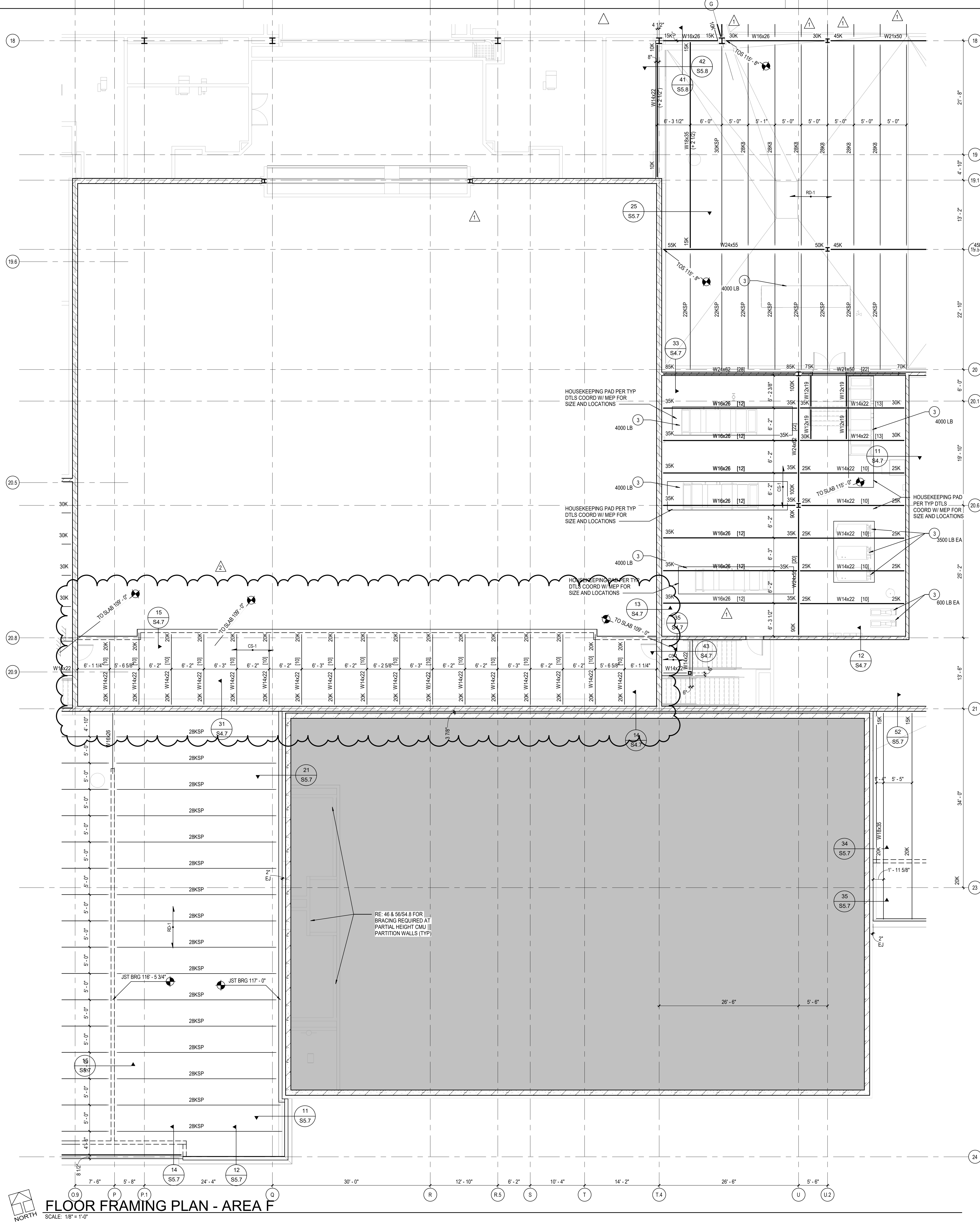


FLOOR FRAMING PLAN - AREA E
SCALE: 1/8" = 1'-0"

- 1 BOTTOM FLANGE BRACE PER TYPICAL DETAIL PER S634.2 AND S185.1
- 2 ROOF HATCH PER ARCHITECTURAL DRAWINGS. PROVIDE 22/SS.1.
- 3 MECHANICAL UNIT OF MAXIMUM WEIGHT INDICATED. CONFIRM WITH MECHANICAL SUPPLIER.
- 4 GYM EQUIPMENT ALLOWANCE OF WEIGHT INDICATED. CONFIRM WEIGHT AND DETAILS WITH ACTUAL EQUIPMENT SELECTED. CONNECTIONS TO ROOF STRUCTURE IS BY THE GYM EQUIPMENT SUPPLIER.

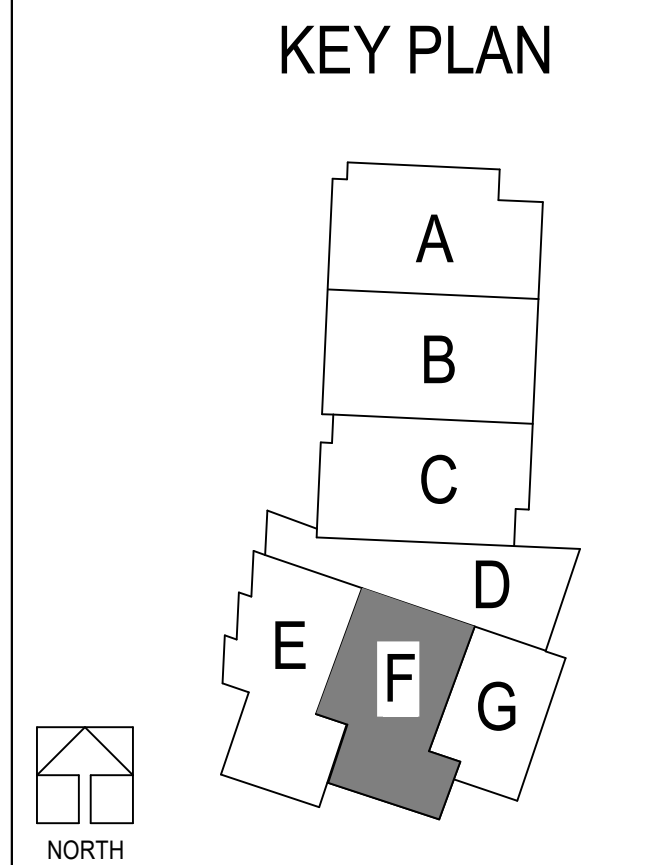


B:\360\13-20102-00\Lee's Summit Middle School 4\13-20102-00_Lee's Summit Middle School_4_ST_2020.rvt
10/19/2020 11:12:35 AM



FLOOR FRAMING PLAN - AREA F
SCALE: 1/8" = 1'-0"

- 1 BOTTOM FLANGE BRACE PER TYPICAL DETAIL PER 56/54.2 AND 51/55.1
- 2 ROOF HATCH PER ARCHITECTURAL DRAWINGS. PROVIDE 2235.1
- 3 MECHANICAL UNIT OF MAXIMUM WEIGHT INDICATED. CONFIRM WITH MECHANICAL SUPPLIER.
- 4 GYM EQUIPMENT ALLOWANCE OF WEIGHT INDICATED. CONFIRM WEIGHT AND DETAILS WITH ACTUAL EQUIPMENT SELECTED. CONNECTIONS TO ROOF STRUCTURE IS BY THE GYM EQUIPMENT SUPPLIER.

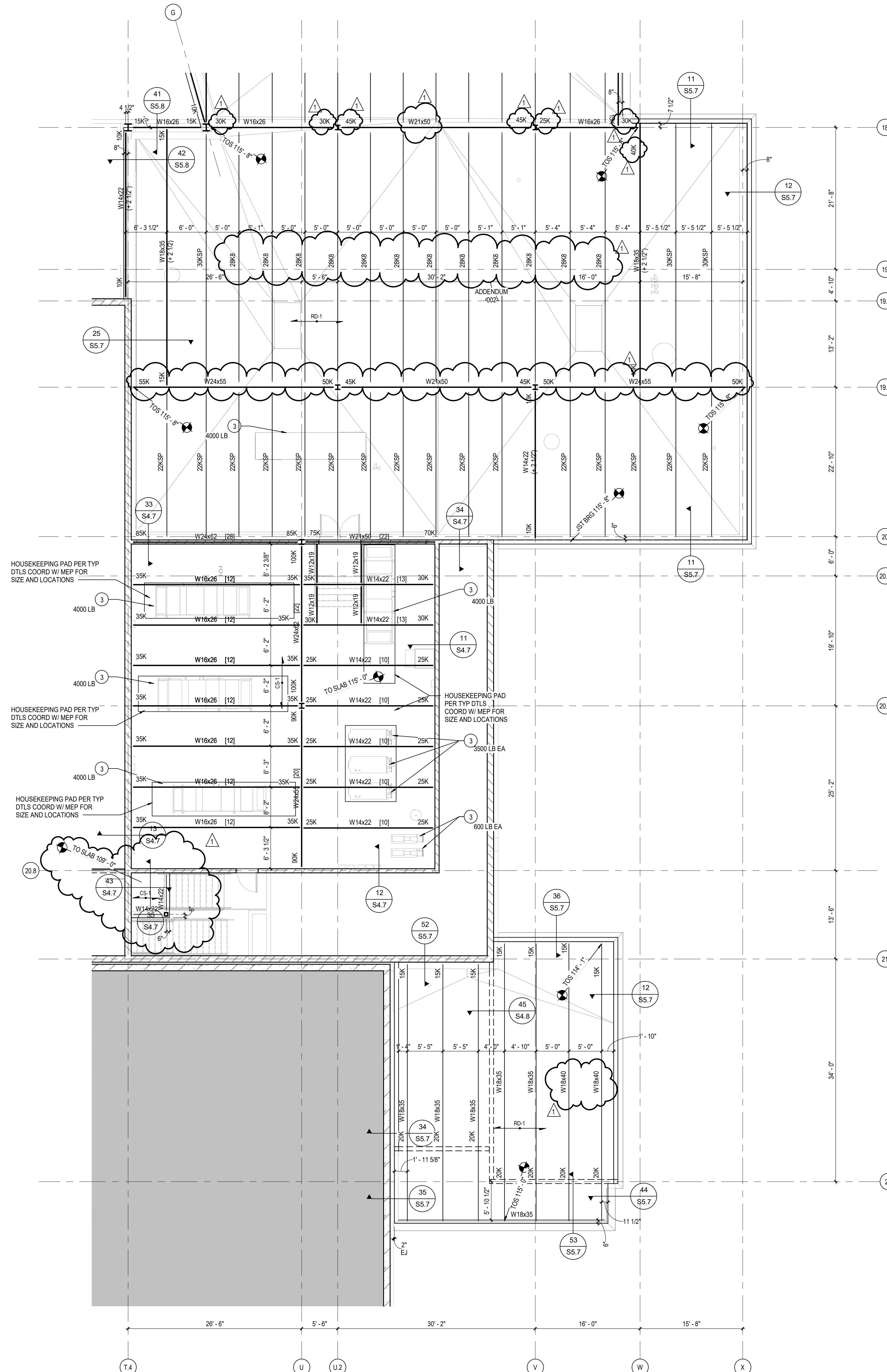


PACKAGE 3 - BUILDING & SITE
- ISSUE FOR PERMIT
10/08/20
REVISIONS
1 ACCELDUM 002 10/19/20
2 PROJ1 11/11/20

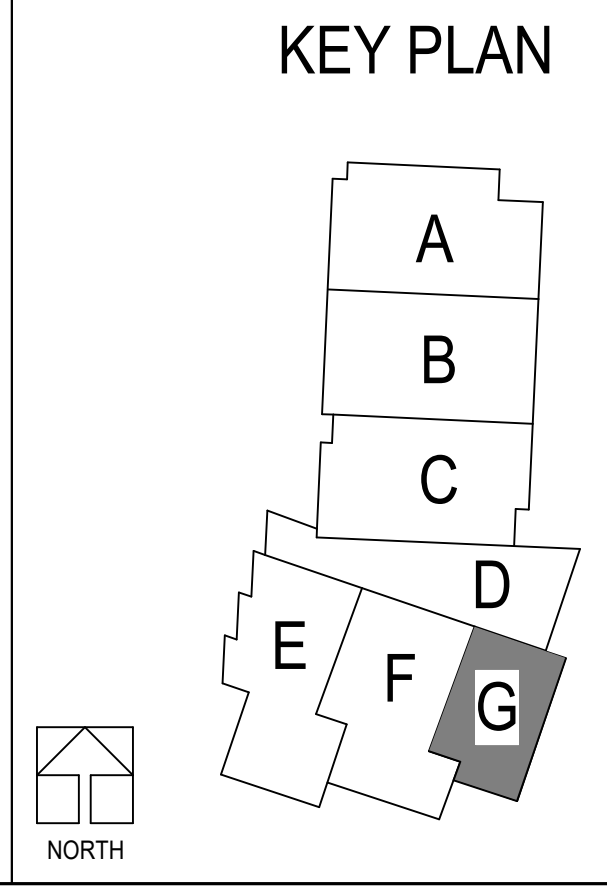
B:\13-20102\13-20102-00\Lee's Summit Middle School 415-20102-00_Lee's Summit Middle School_4_ST_2020.rvt
11/4/2020 3:55:00 PM

B:\13-20102-00\Lee's Summit Middle School 415-20102-00_Lee's Summit Middle School_4_ST_2020.rvt
10/19/2020 11:13:00 AM

FLOOR FRAMING PLAN - AREA G
NORTH SCALE: 1/8" = 1'-0"



- 1 BOTTOM FLANGE BRACE PER TYPICAL DETAIL PER 9064.2 AND 5185.1
- 2 ROOF HATCH PER ARCHITECTURAL DRAWINGS. PROVIDE 22S5.1.
- 3 MECHANICAL UNIT OF MAXIMUM WEIGHT INDICATED. CONFIRM WITH MECHANICAL SUPPLIER.
- 4 GYM EQUIPMENT ALLOWANCE OF WEIGHT INDICATED. CONFIRM WEIGHT AND DETAILS WITH ACTUAL EQUIPMENT SELECTED. CONNECTIONS TO ROOF STRUCTURE IS BY THE GYM EQUIPMENT SUPPLIER.



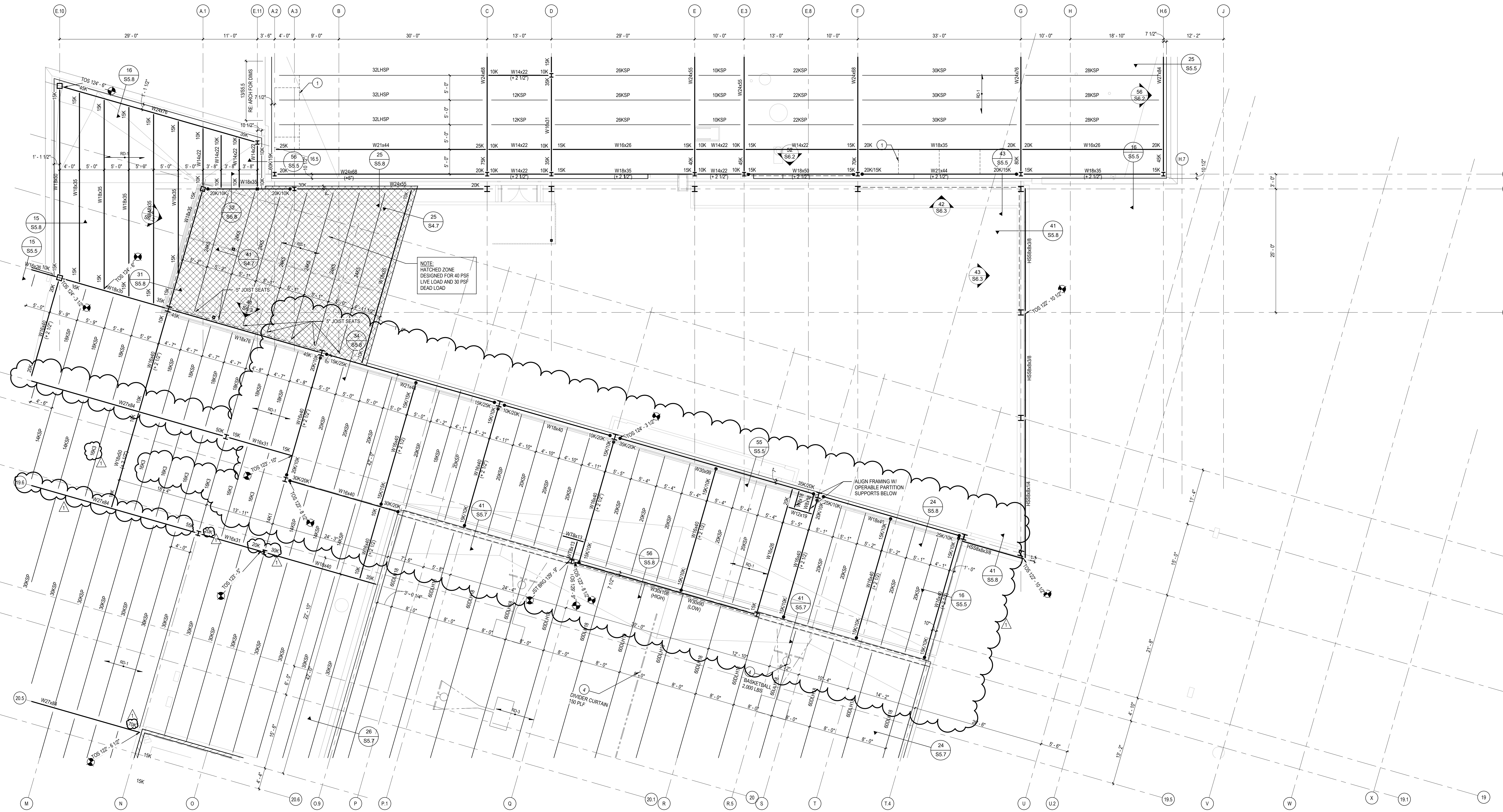
LEE'S SUMMIT MIDDLE SCHOOL #4
LEE'S SUMMIT R-7 SCHOOL DISTRICT
1001 SE BAILEY ROAD
LEE'S SUMMIT, MO 64681

PACKAGE 3 - BUILDING & SITE
- ISSUE FOR PERMIT
10/08/20
REVISIONS
1 ADDENDUM 002 10/19/20

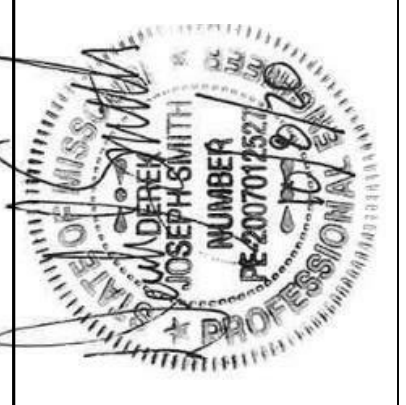
13-20102-00
FLOOR AND LOW ROOF FRAMING PLAN - AREA G

S2.1G

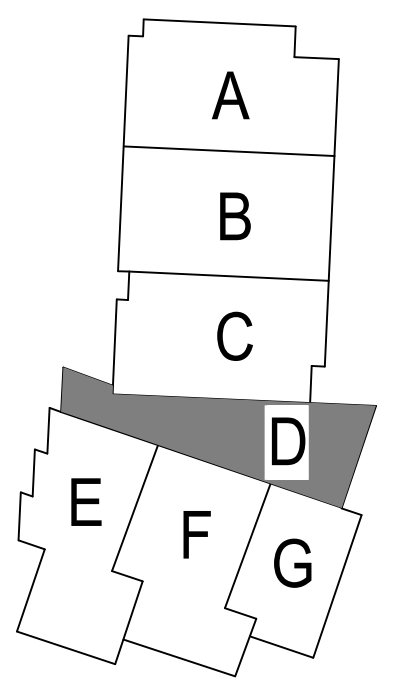
B:\13-20102-00\Lee's Summit Middle School\415-20102-00_Lee's Summit Middle School_4_ST_2020.dwg
10/19/2020 11:13:18 AM



ROOF FRAMING PLAN - AREA D
SCALE: 1/8" = 1'-0"

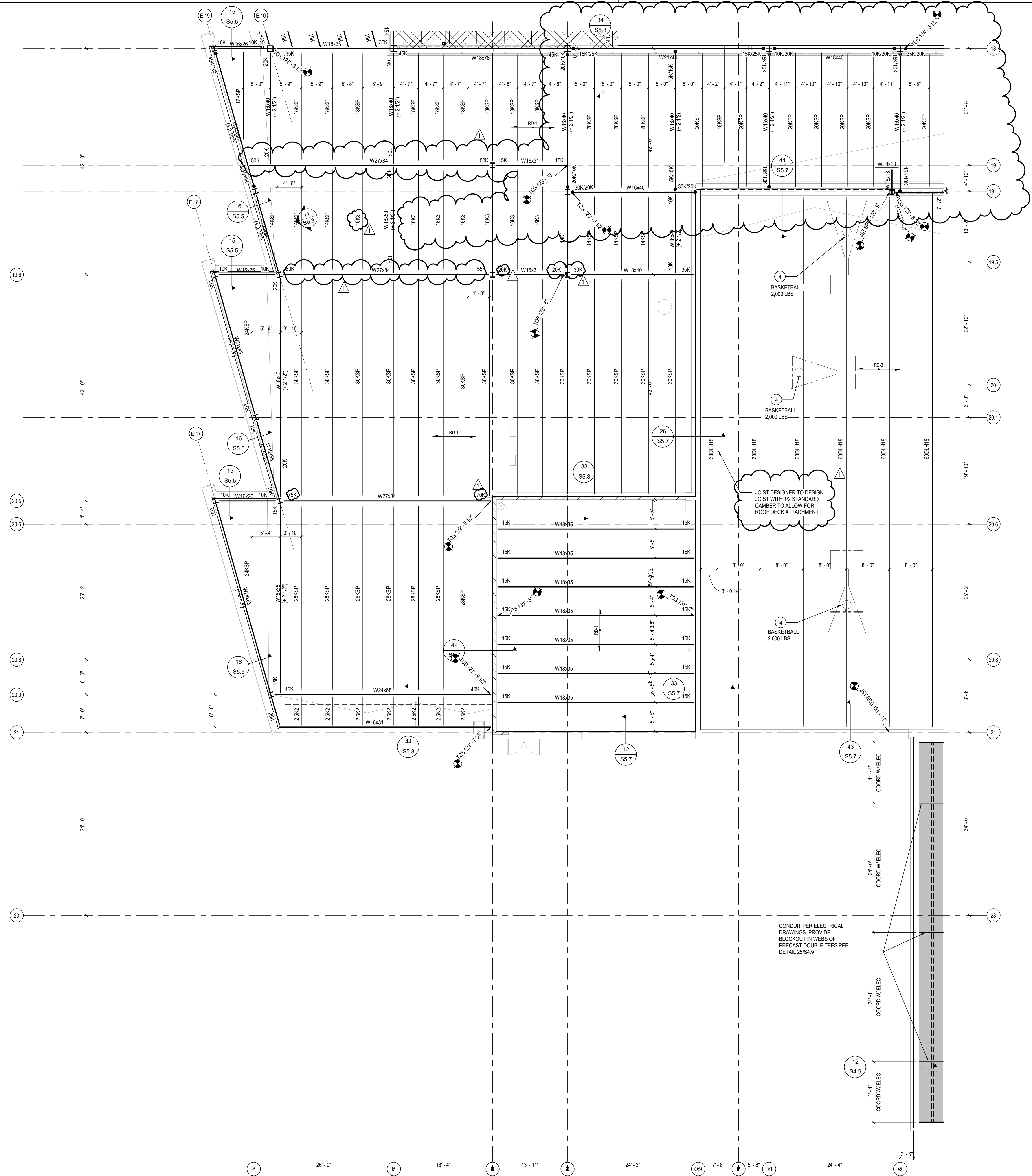


KEY PLAN



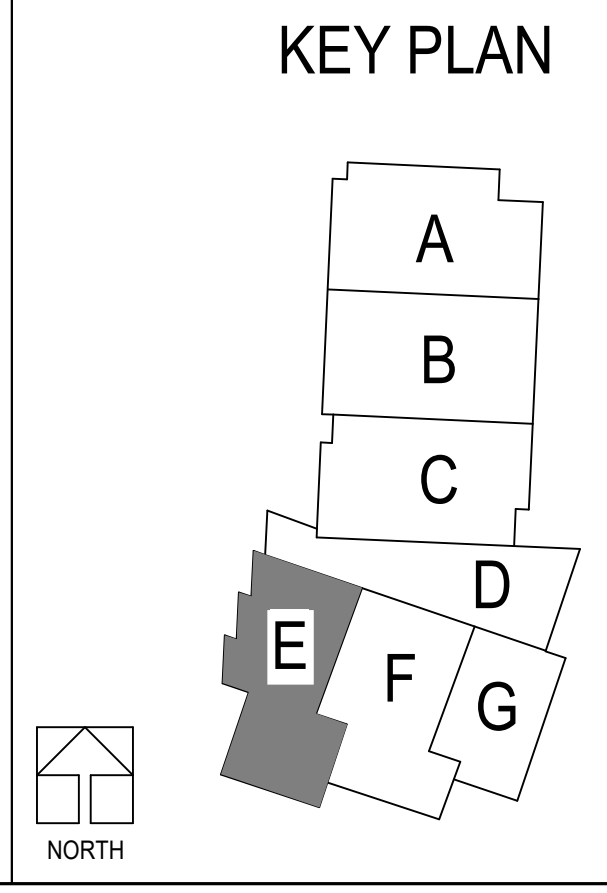
- 1 BOTTOM FLANGE BRACE PER TYPICAL DETAIL PER S15.2 AND S15.5.1
- 2 ROOF HATCH PER ARCHITECTURAL DRAWINGS. PROVIDE 22/55.1.
- 3 MECHANICAL UNIT OF MAXIMUM WEIGHT INDICATED. CONFIRM WITH MECHANICAL SUPPLIER.
- 4 GYM EQUIPMENT ALLOWANCE OF WEIGHT INDICATED. CONFIRM WEIGHT AND DETAILS WITH ACTUAL EQUIPMENT SELECTED. CONNECTIONS TO ROOF STRUCTURE IS BY THE GYM EQUIPMENT SUPPLIER.

10/19/2020 11:13:35 AM B:\360\15-20102-00\Lee's Summit Middle School 4/15/20102-00_Lee's Summit Middle School_4_ST_2020.rvt



ROOF FRAMING PLAN - AREA E
SCALE: 1/8"=1'-0"

- 1 BOTTOM FLANGE BRACE PER TYPICAL DETAIL PER 56/54.2 AND 51/55.1
- 2 ROOF HATCH PER ARCHITECTURAL DRAWINGS. PROVIDE 22/55.1
- 3 MECHANICAL UNIT OF MAXIMUM WEIGHT INDICATED. CONFIRM WITH MECHANICAL SUPPLIER.
- 4 GYM EQUIPMENT ALLOWANCE OF WEIGHT INDICATED. CONFIRM WEIGHT AND DETAILS WITH ACTUAL EQUIPMENT SELECTED. CONNECTIONS TO ROOF STRUCTURE IS BY THE GYM EQUIPMENT SUPPLIER.



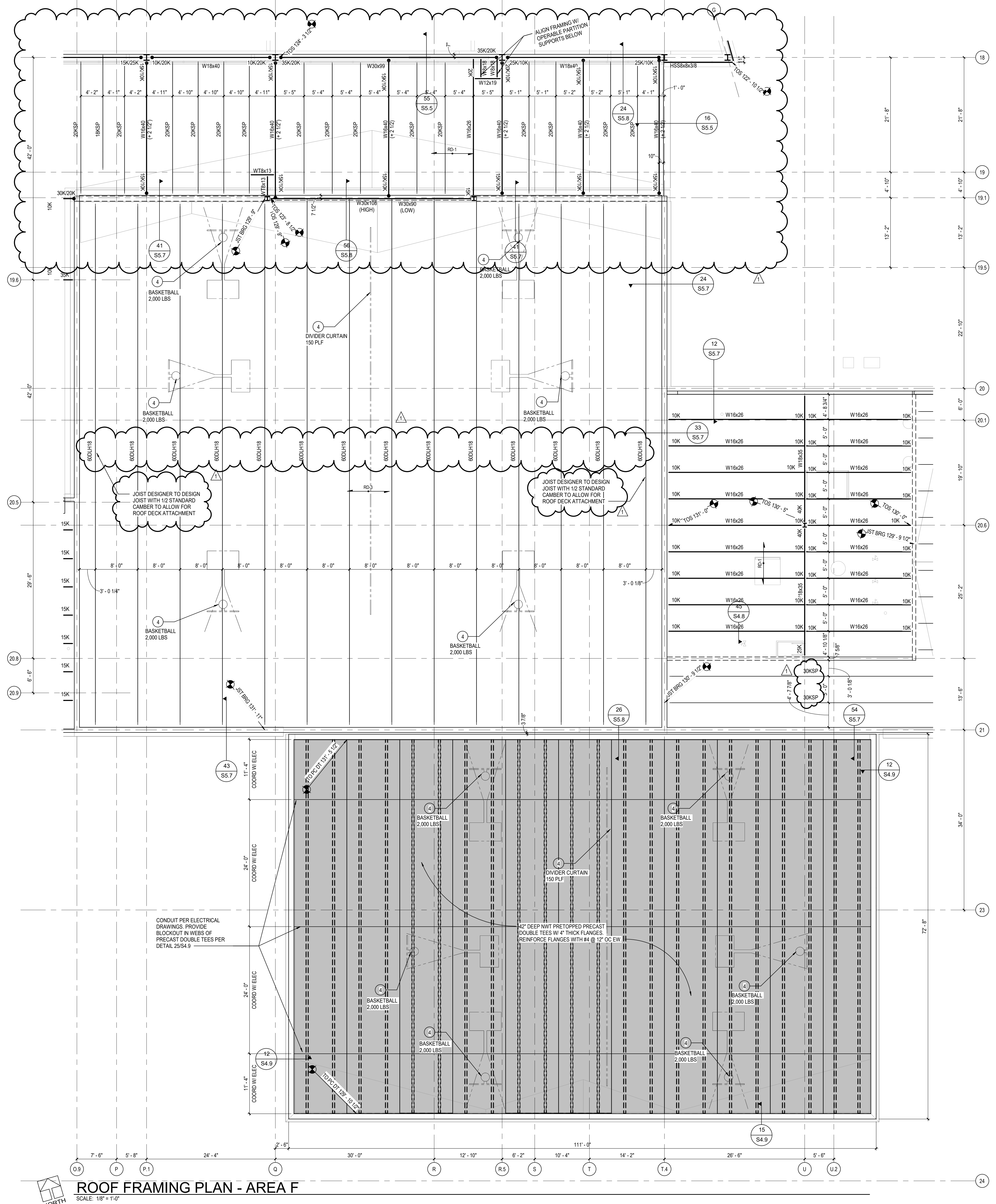
LEE'S SUMMIT MIDDLE SCHOOL #4
LEE'S SUMMIT R-7 SCHOOL DISTRICT

PACKAGE 3 - BUILDING & SITE
- ISSUE FOR PERMIT
10/08/20
REVISIONS
1 ACCENDUM 002 10/19/20

13-20102-00
ROOF FRAMING
PLAN - AREA E

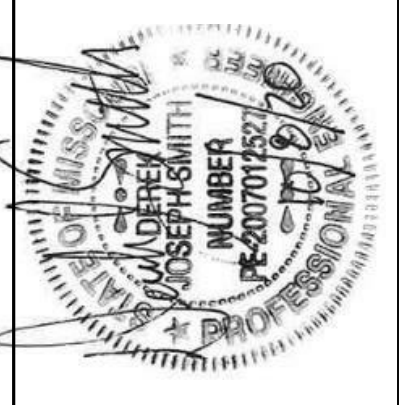
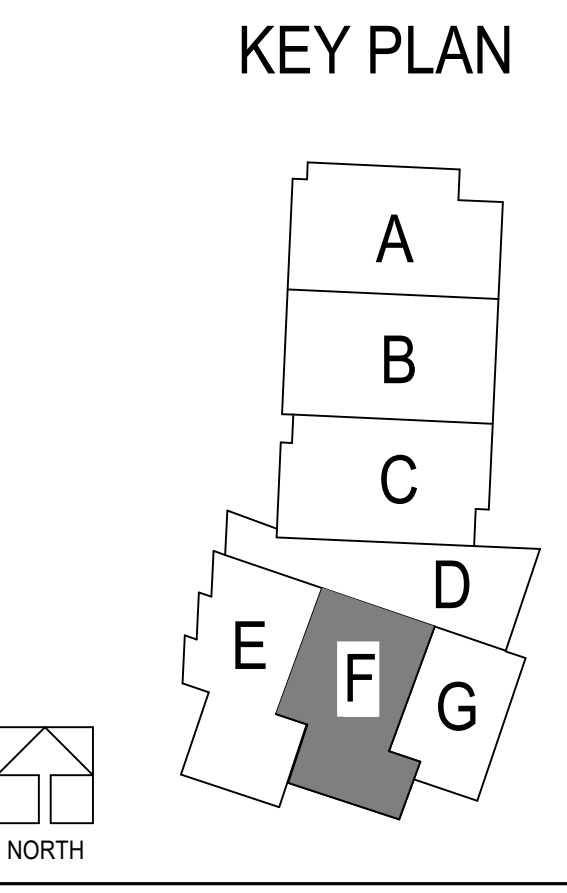
S2.2E





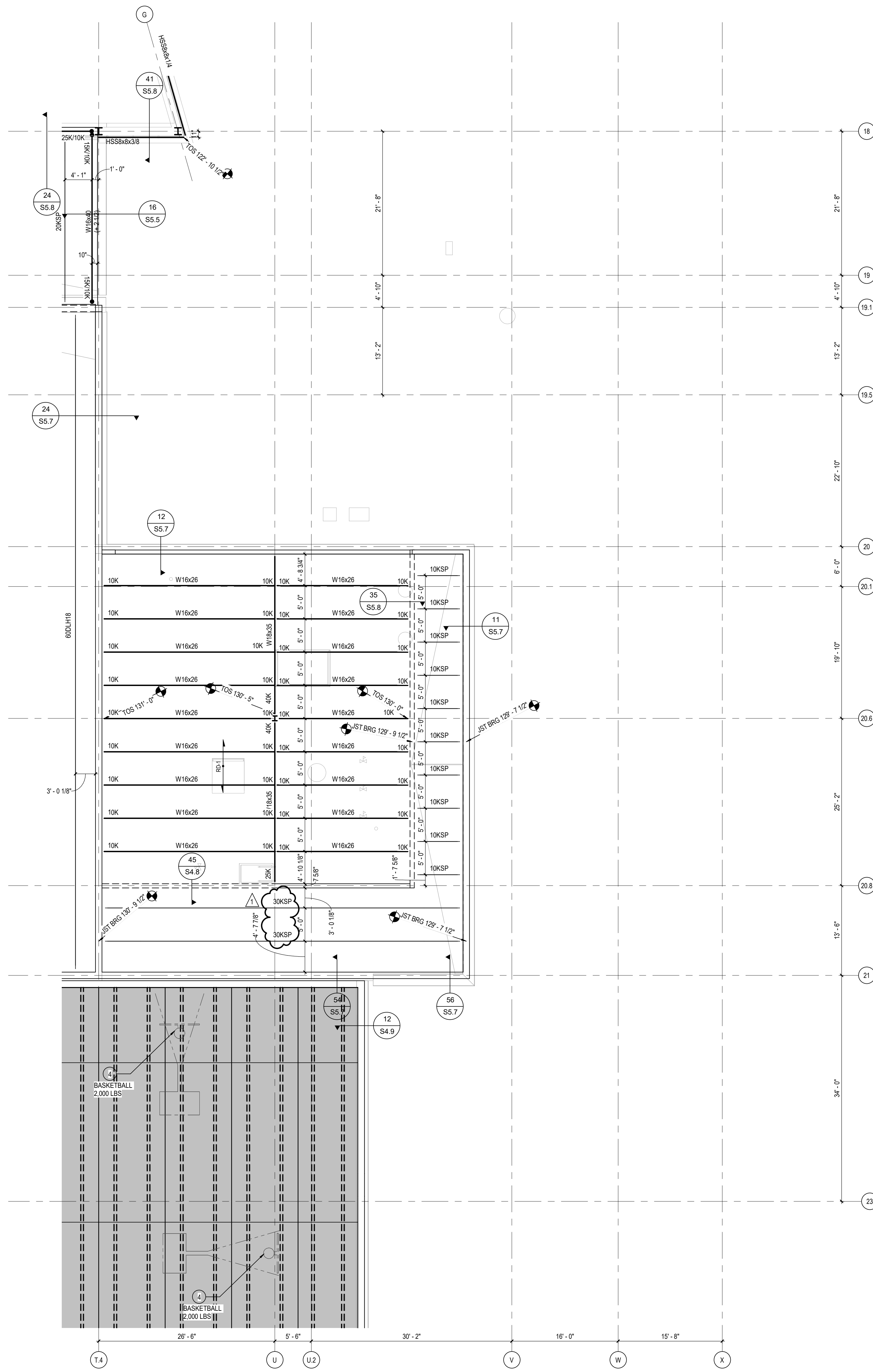
- 1 BOTTOM FLANGE BRACE PER TYPICAL DETAIL PER S654.2 AND S155.1
- 2 ROOF HATCH PER ARCHITECTURAL DRAWINGS. PROVIDE 22/S5.1
- 3 MECHANICAL UNIT OF MAXIMUM WEIGHT INDICATED. CONFIRM WITH MECHANICAL SUPPLIER.
- 4 GYM EQUIPMENT ALLOWANCE OF WEIGHT INDICATED. CONFIRM WEIGHT AND DETAILS WITH ACTUAL EQUIPMENT SELECTED. CONNECTIONS TO ROOF STRUCTURE IS BY THE GYM EQUIPMENT SUPPLIER.

ROOF FRAMING PLAN - AREA F
SCALE: 1/8" = 1'-0"



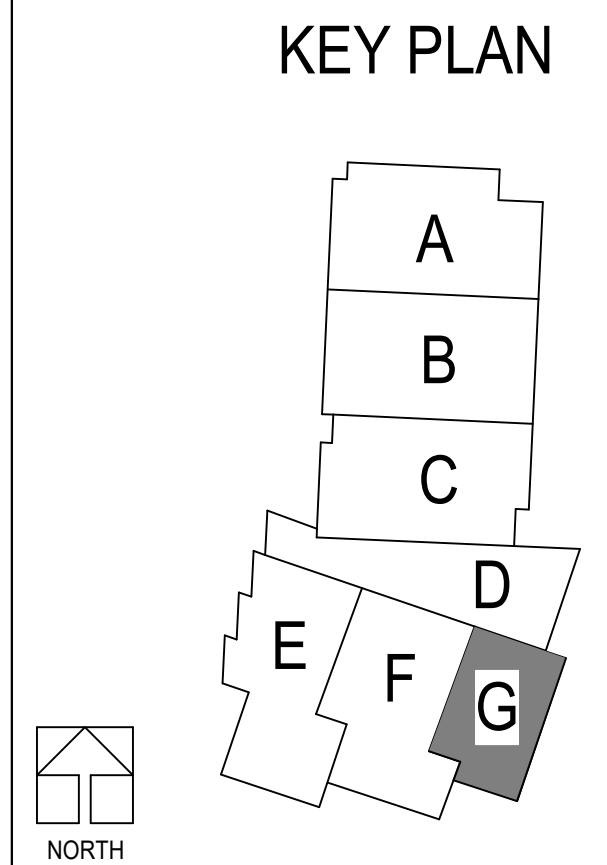
B:\13-20102-00\Lee's Summit Middle School 4\13-20102-00_Lee's Summit Middle School_4_ST_2020.rvt
10/19/2020 11:13:51 AM

B:\13-20102-00\Lee's Summit Middle School 415-20102-00_Lee's Summit Middle School_4_ST_2020.rvt
 10/19/2020 11:14:09 AM



ROOF FRAMING PLAN - AREA G
 SCALE: 1/8" = 1'-0"

- 1 BOTTOM FLANGE BRACE PER TYPICAL DETAIL PER 5054.2 AND 5185.1
- 2 ROOF HATCH PER ARCHITECTURAL DRAWINGS. PROVIDE 22S5.1
- 3 MECHANICAL UNIT OF MAXIMUM WEIGHT INDICATED. CONFIRM WITH MECHANICAL SUPPLIER.
- 4 GYM EQUIPMENT ALLOWANCE OF WEIGHT INDICATED. CONFIRM WEIGHT AND DETAILS WITH ACTUAL EQUIPMENT SELECTED. CONNECTIONS TO ROOF STRUCTURE IS BY THE GYM EQUIPMENT SUPPLIER.

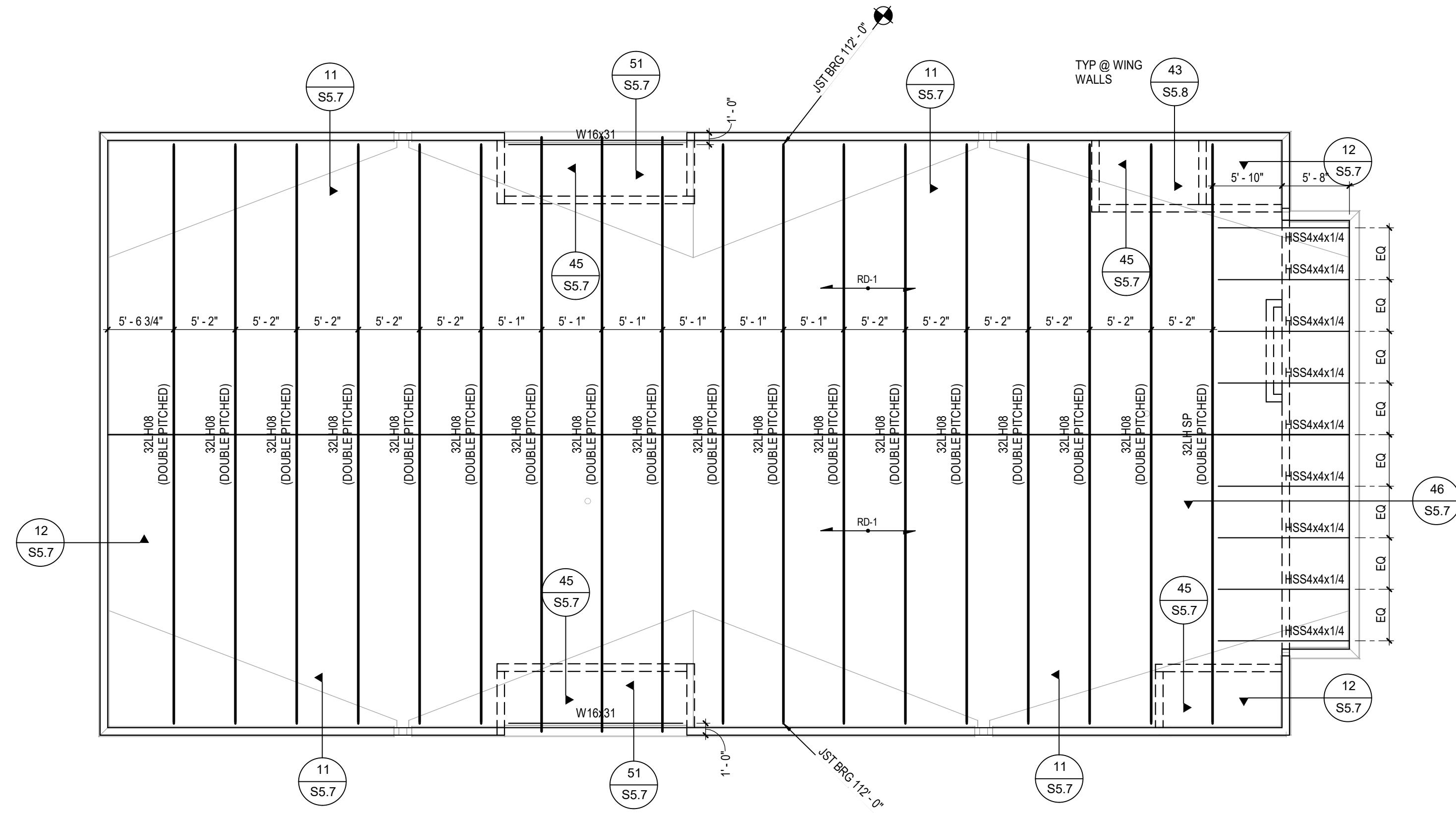


LEE'S SUMMIT MIDDLE SCHOOL #4
 LEE'S SUMMIT R-7 SCHOOL DISTRICT
 1001 SE BAILEY ROAD
 LEE'S SUMMIT, MO 64681

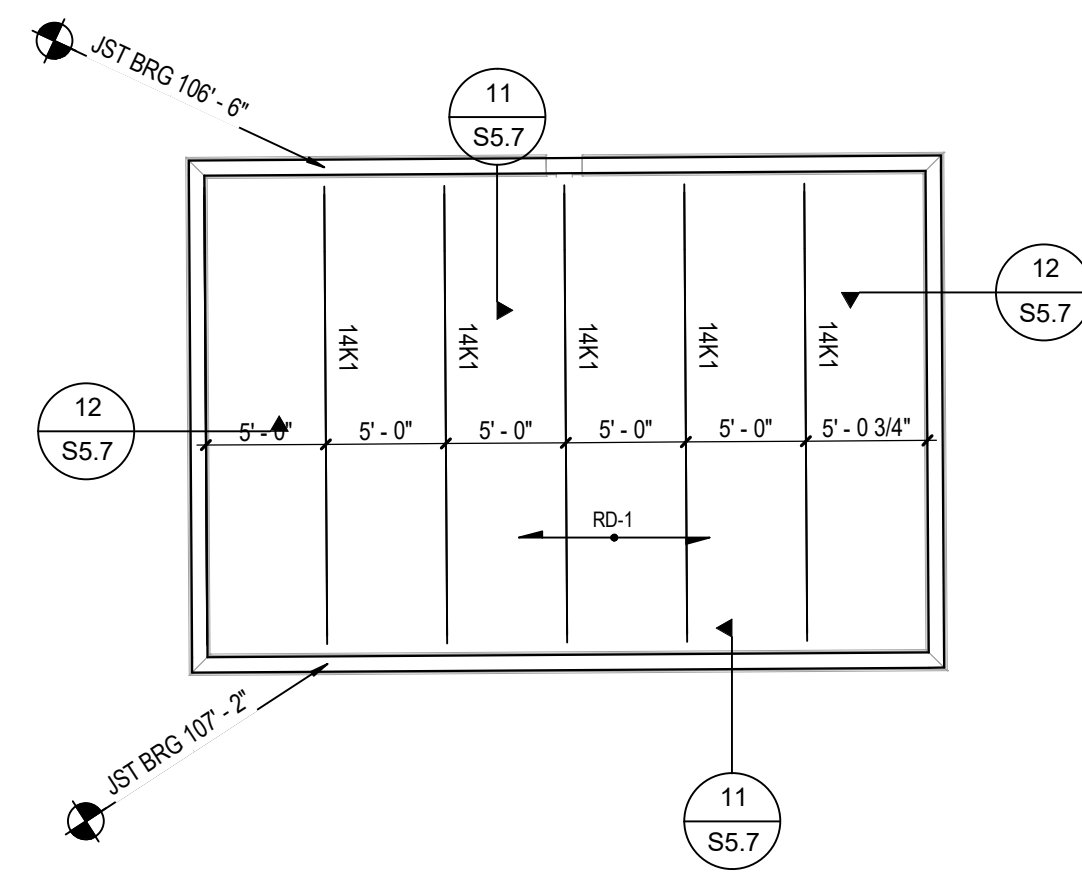
PACKAGE 3 - BUILDING & SITE
 - ISSUE FOR PERMIT
 10/08/20
 REVISIONS
 1 ACCENDUM 002 10/19/20

13-20102-00
 ROOF FRAMING
 PLAN - AREA G

S2.2G



ROOF FRAMING PLAN - AREA S
SCALE: 1/8" = 1'-0"
NORTH



ROOF FRAMING PLAN - AREA T
SCALE: 1/8" = 1'-0"
NORTH

- 1 BOTTOM FLANGE BRACE PER TYPICAL DETAIL PER 5684.2 AND 5155.1
- 2 ROOF HATCH PER ARCHITECTURAL DRAWINGS. PROVIDE 22/55.1.
- 3 MECHANICAL UNIT OF MAXIMUM WEIGHT INDICATED, CONFIRM WITH MECHANICAL SUPPLIER.
- 4 GYM EQUIPMENT ALLOWANCE OF WEIGHT INDICATED, CONFIRM WEIGHT AND DETAILS WITH ACTUAL EQUIPMENT SELECTED. CONNECTIONS TO ROOF STRUCTURE IS BY THE GYM EQUIPMENT SUPPLIER.



LEE'S SUMMIT MIDDLE SCHOOL #4
LEE'S SUMMIT R-7 SCHOOL DISTRICT

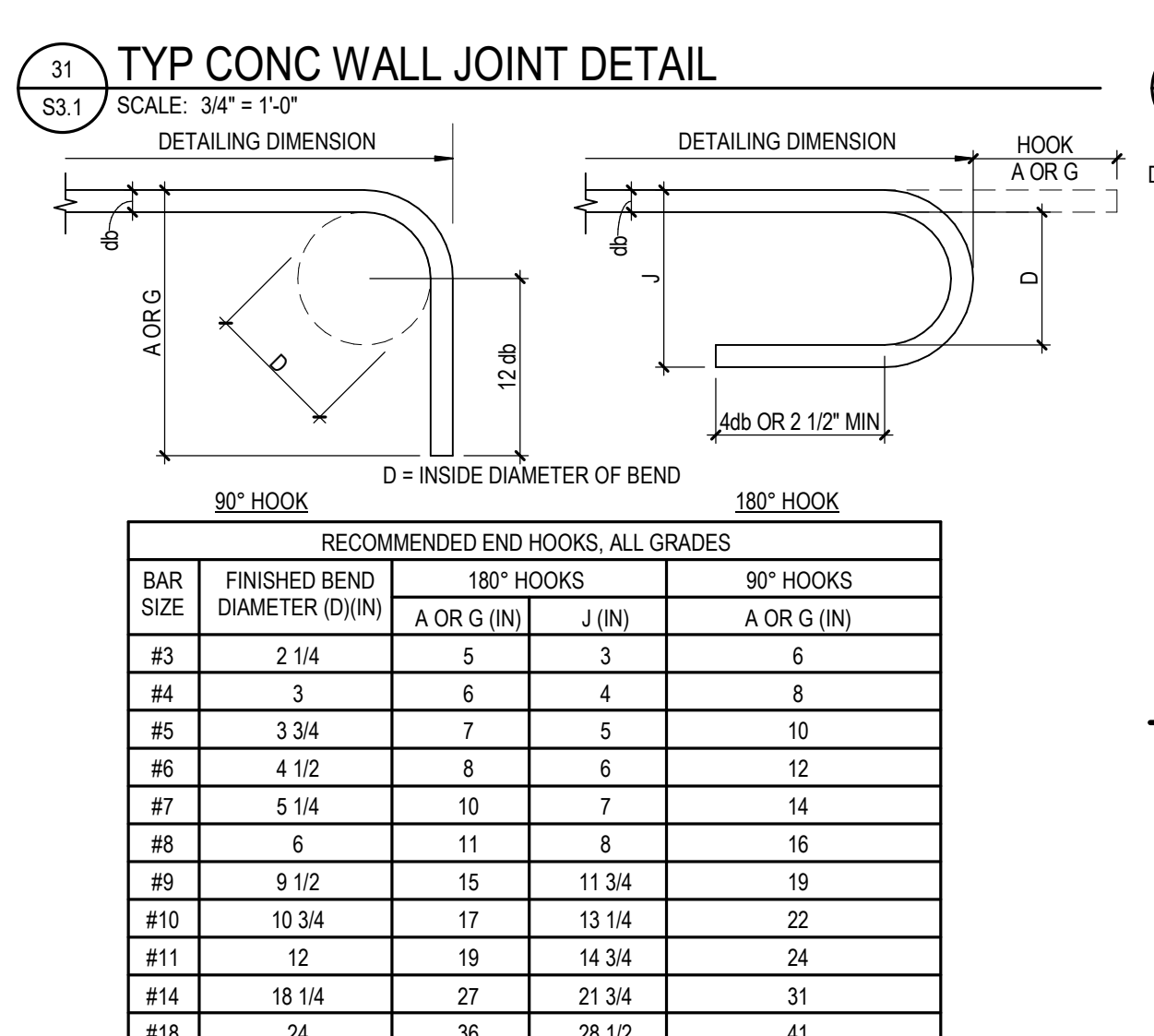
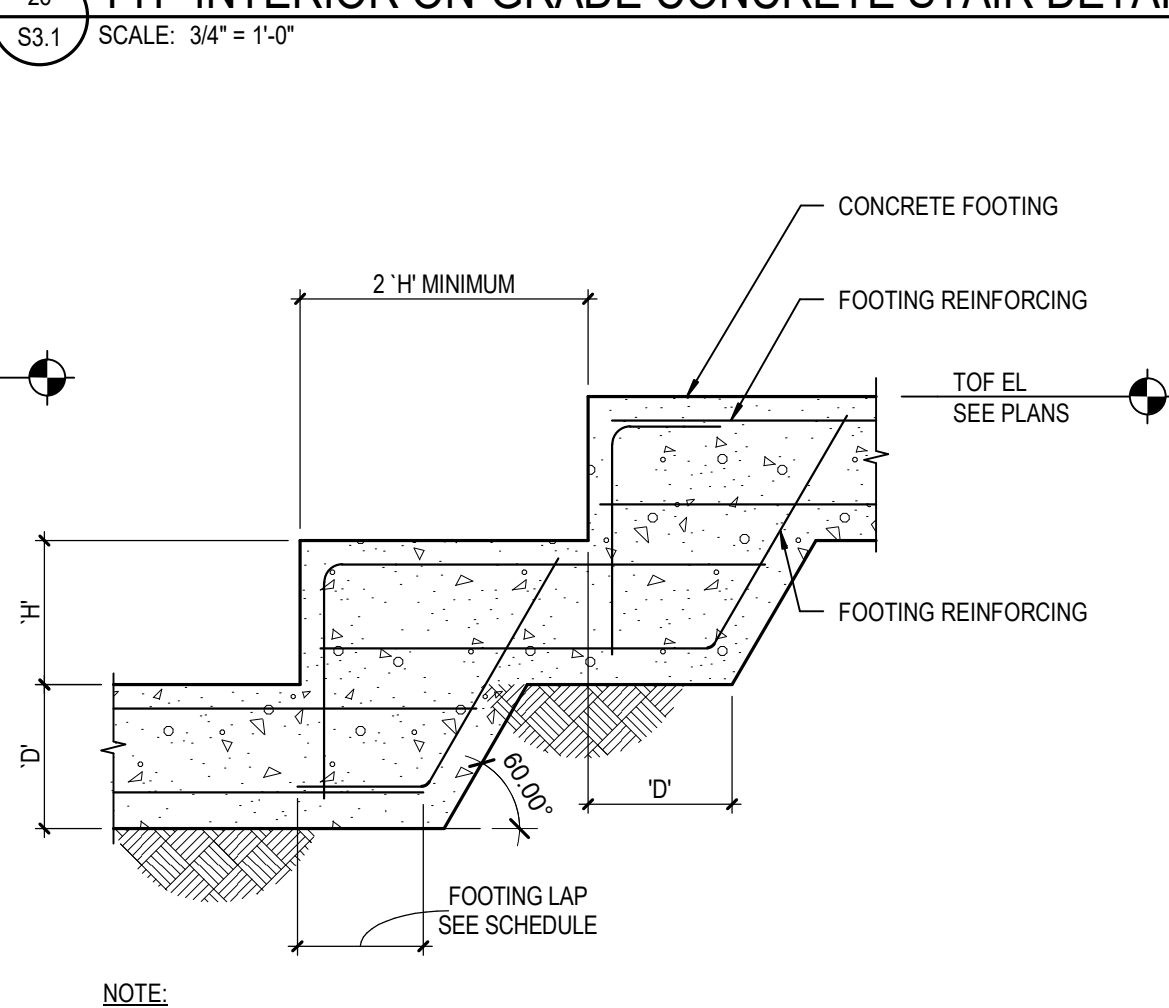
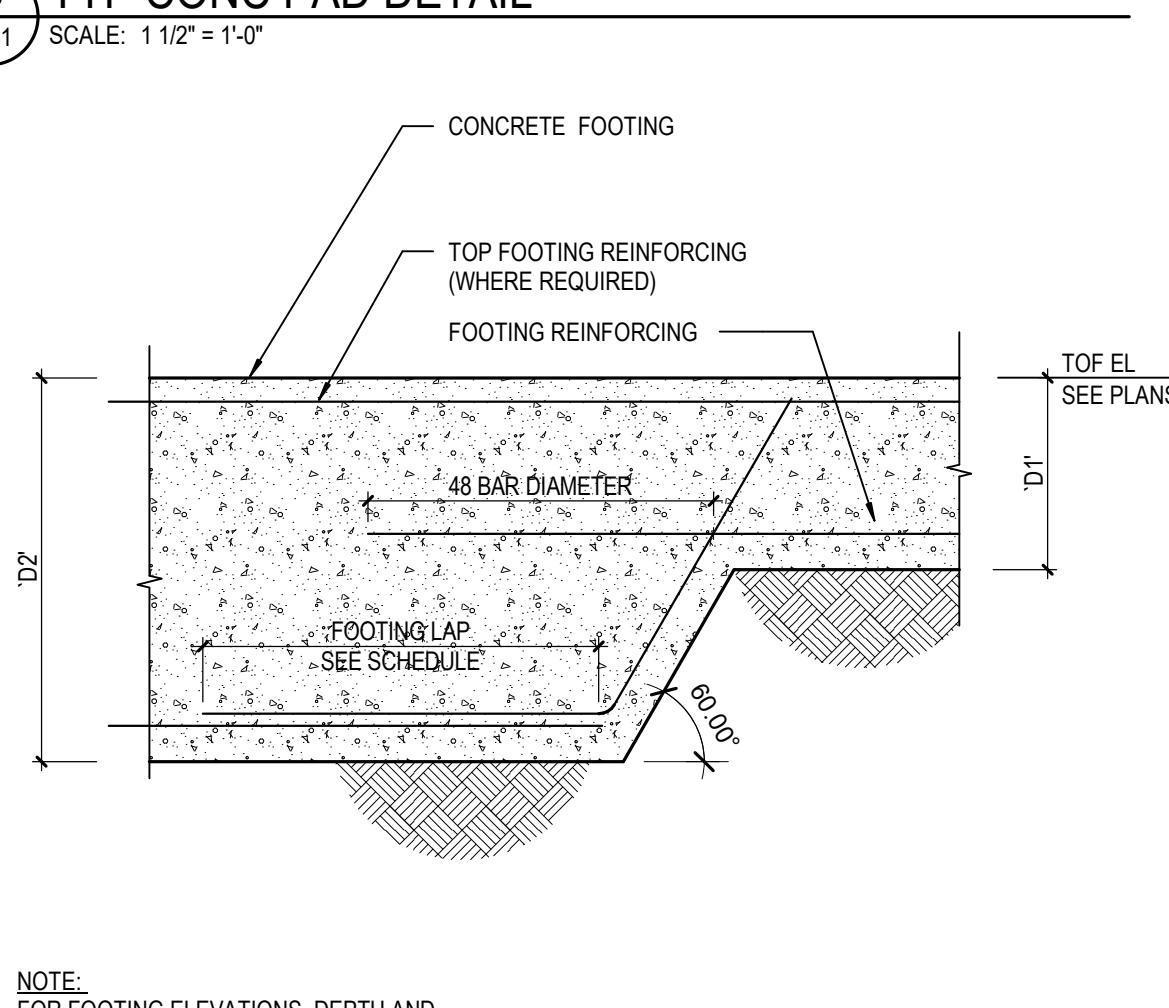
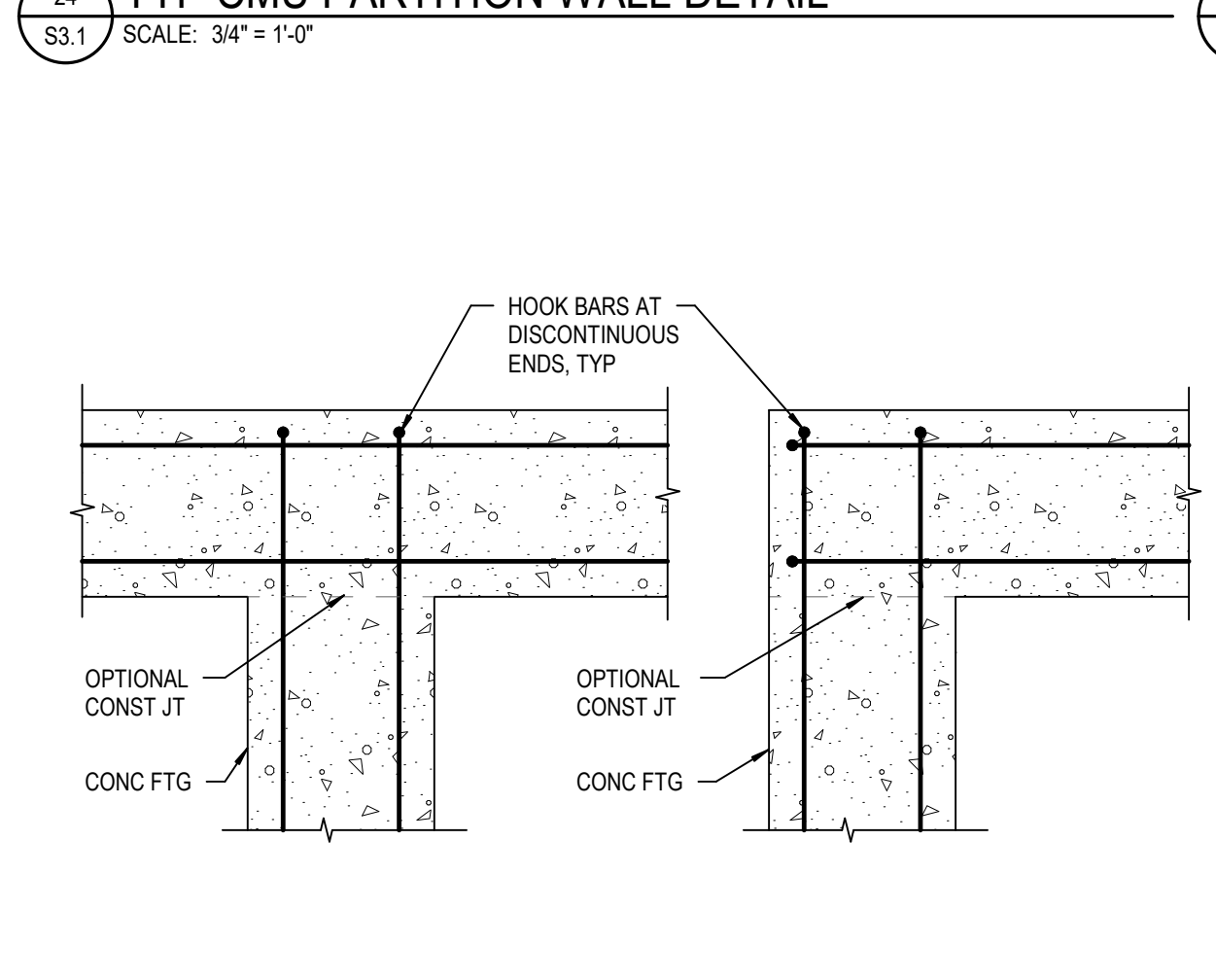
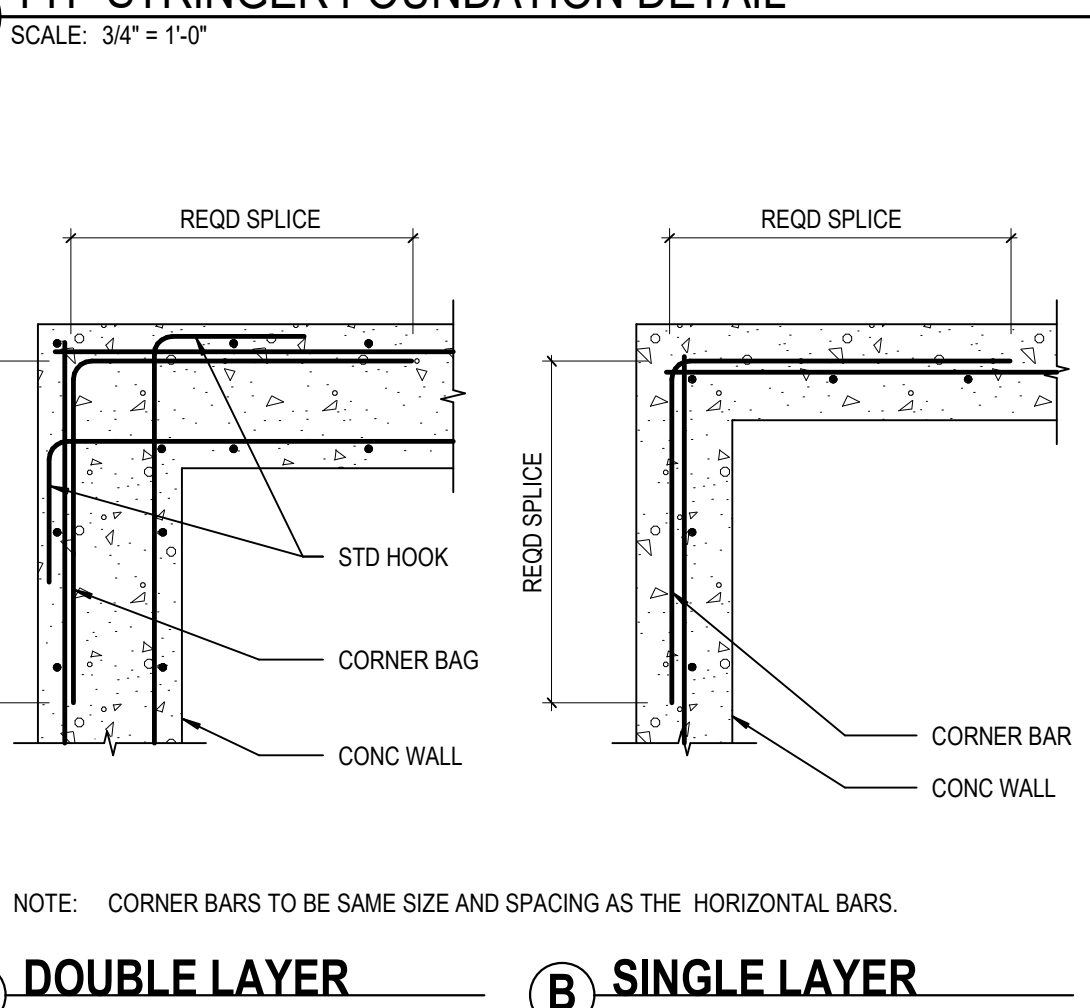
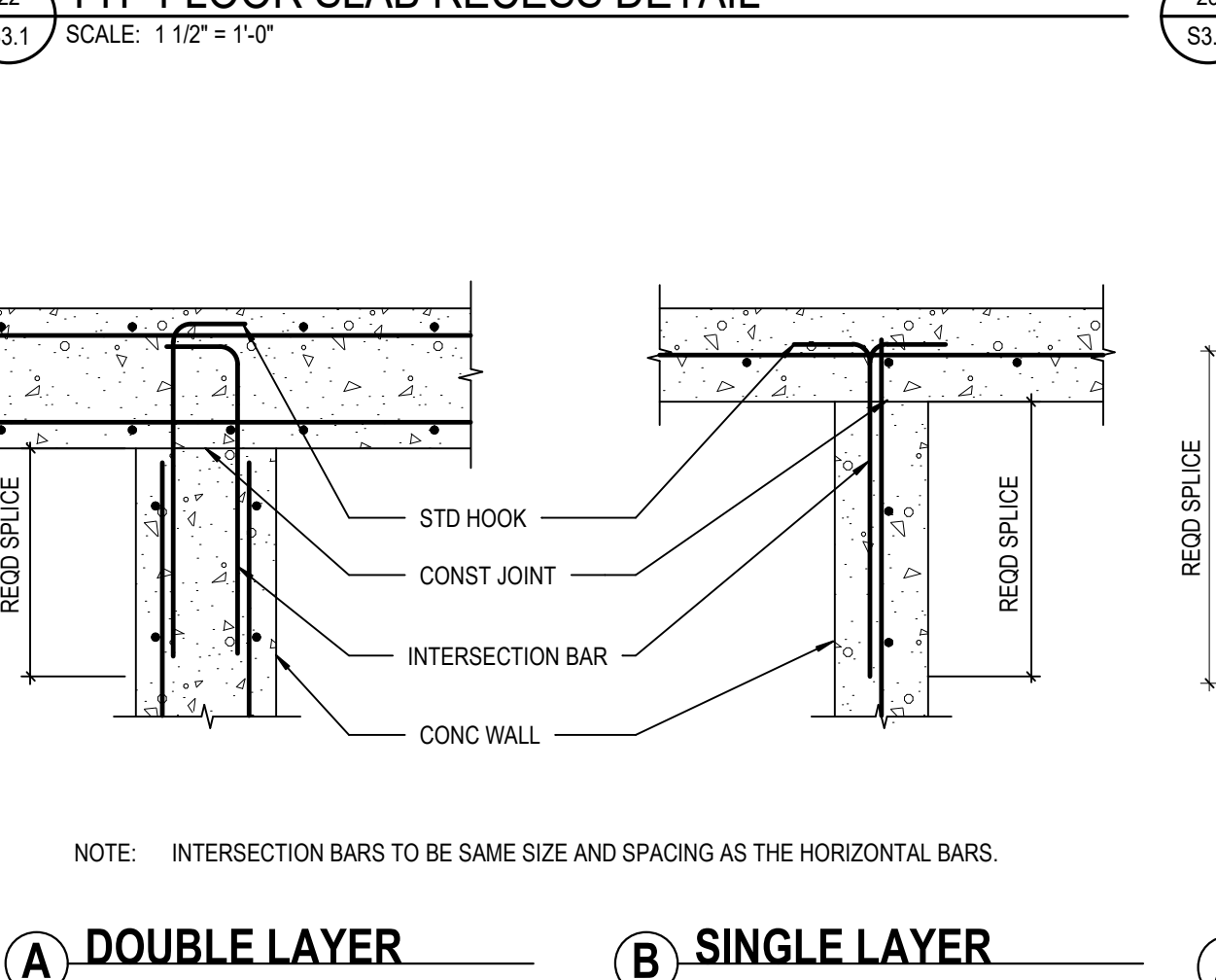
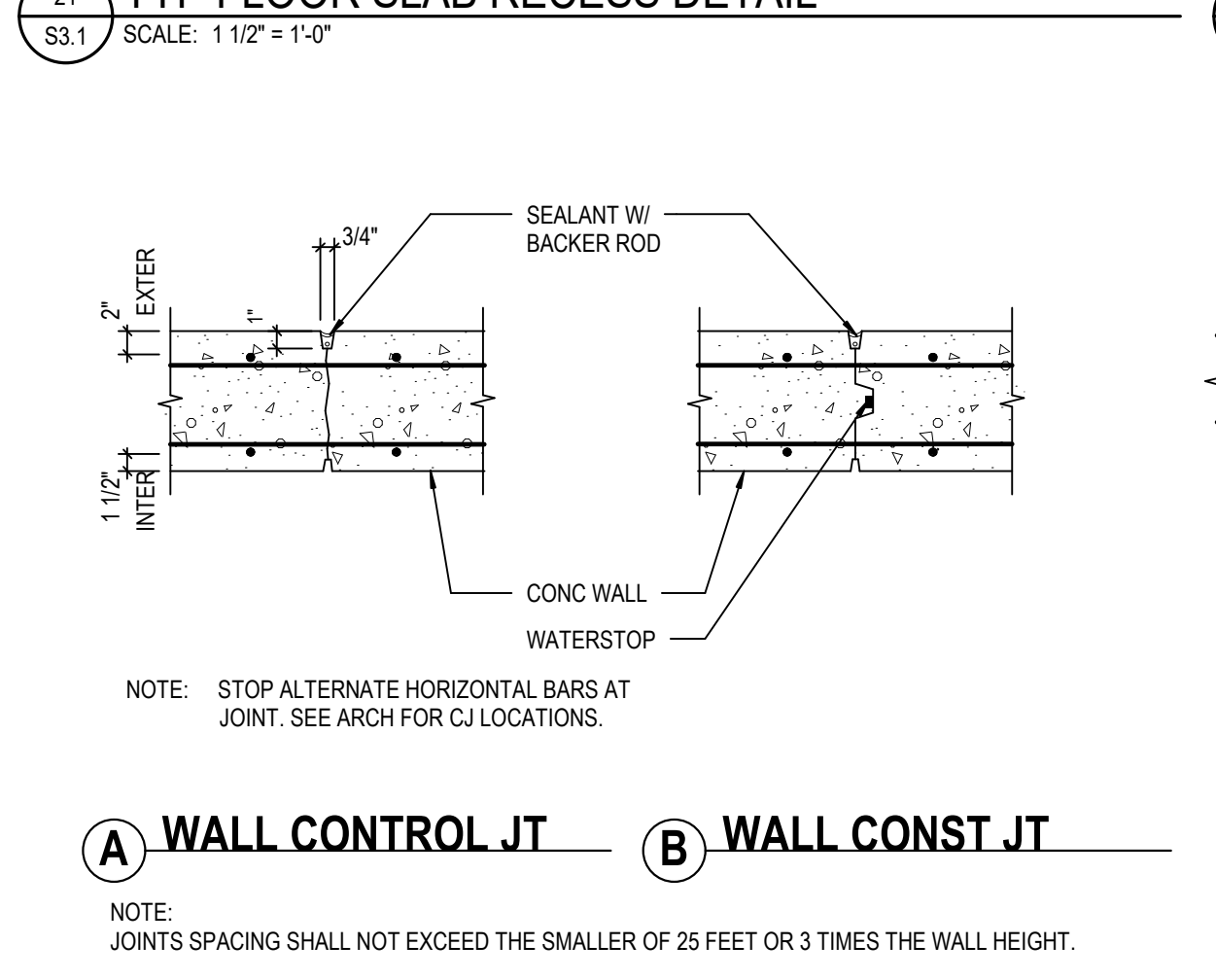
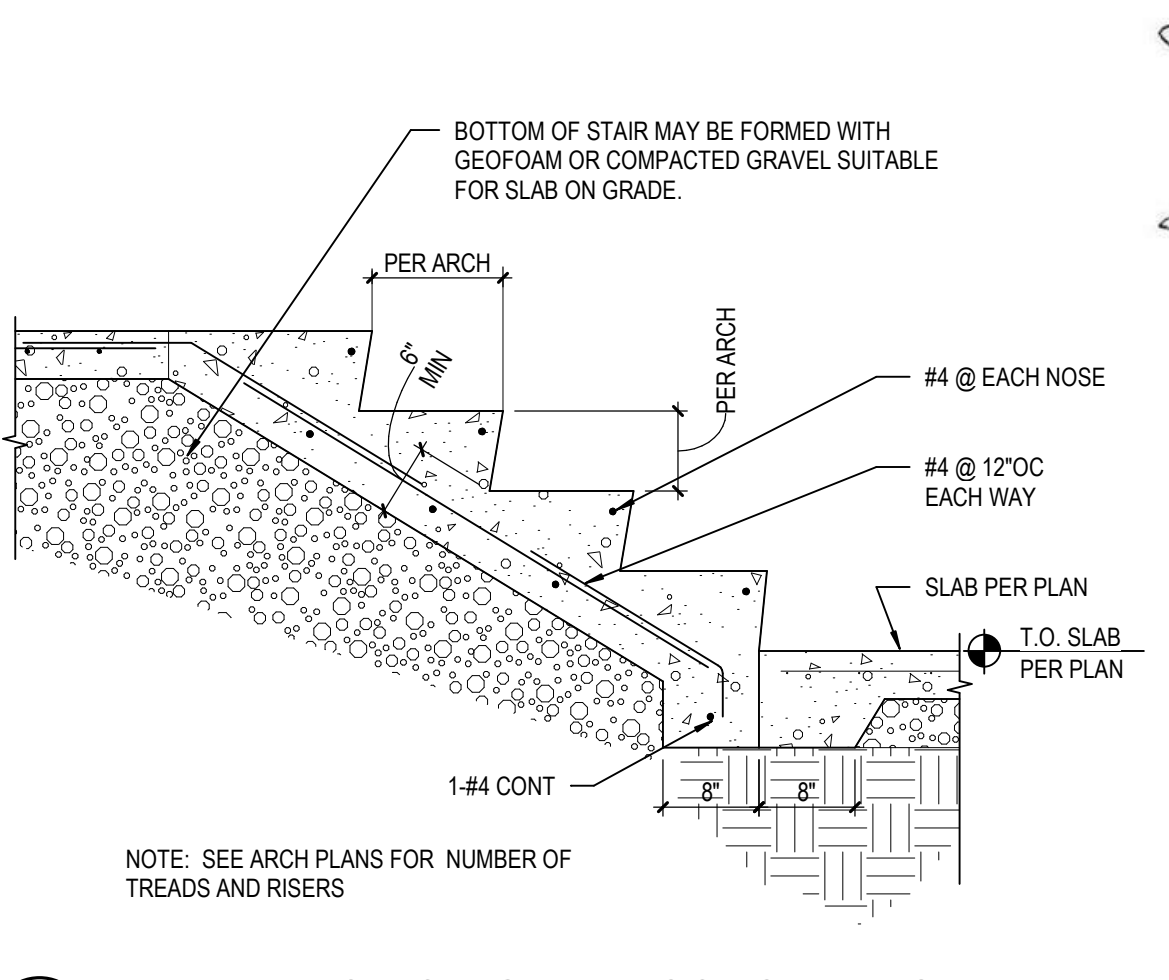
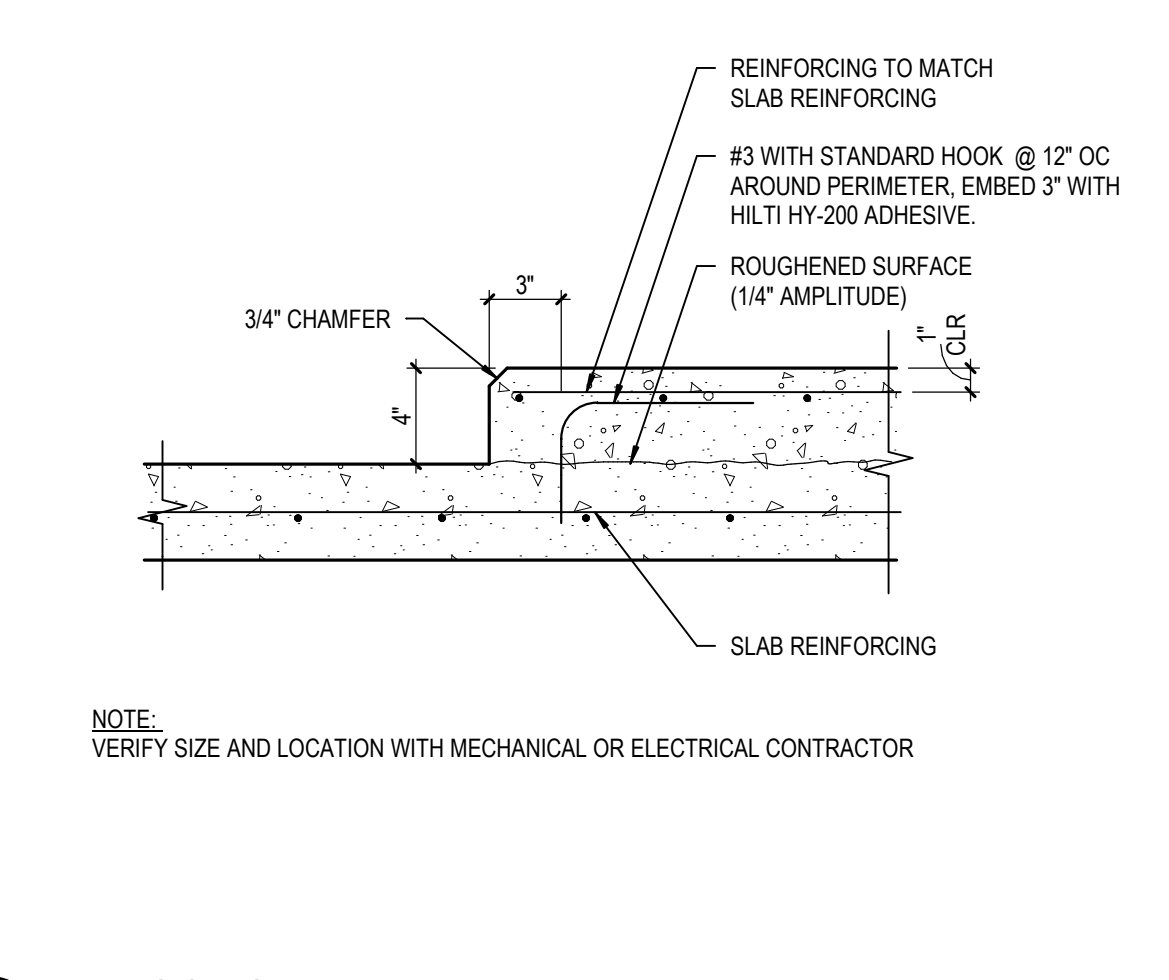
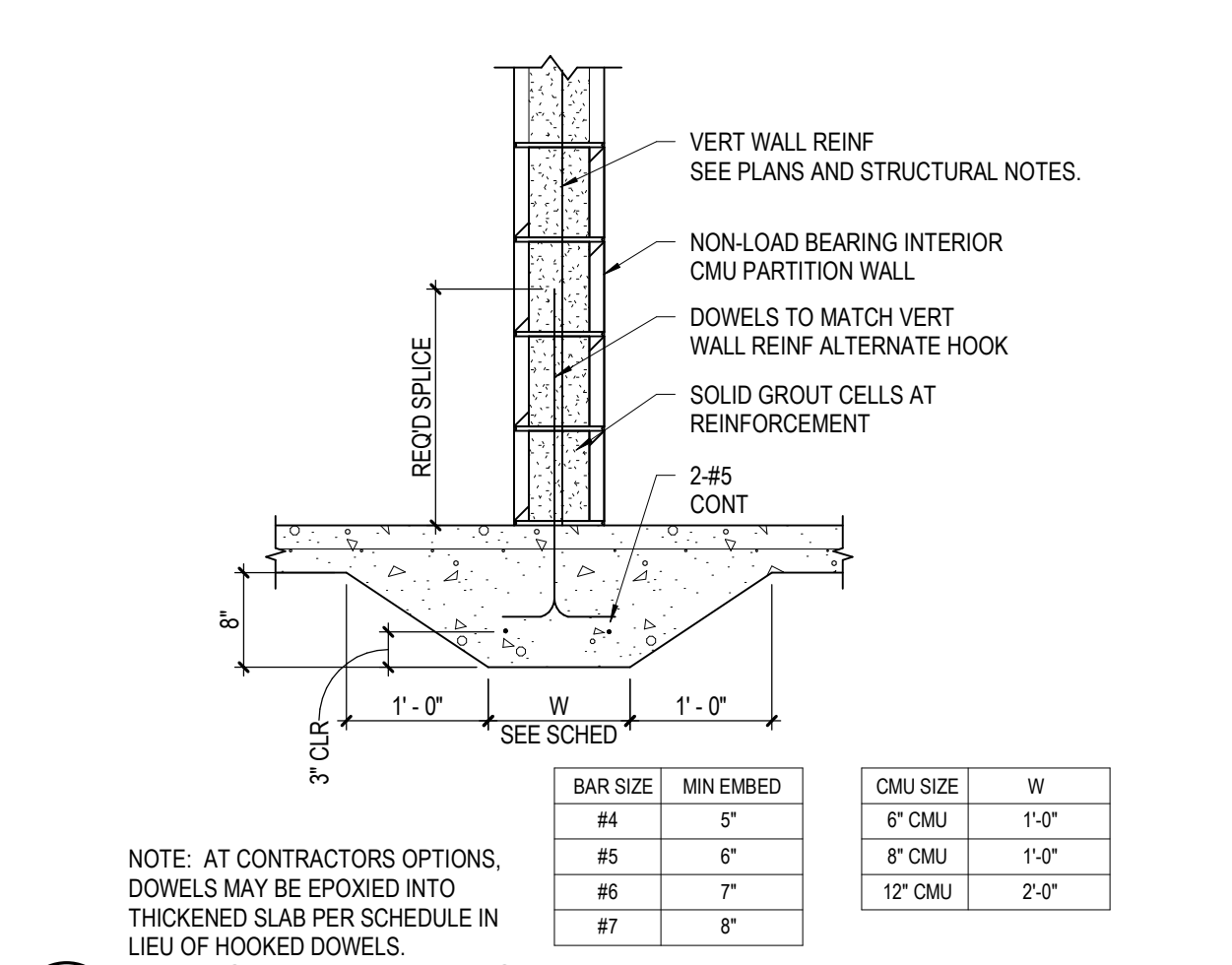
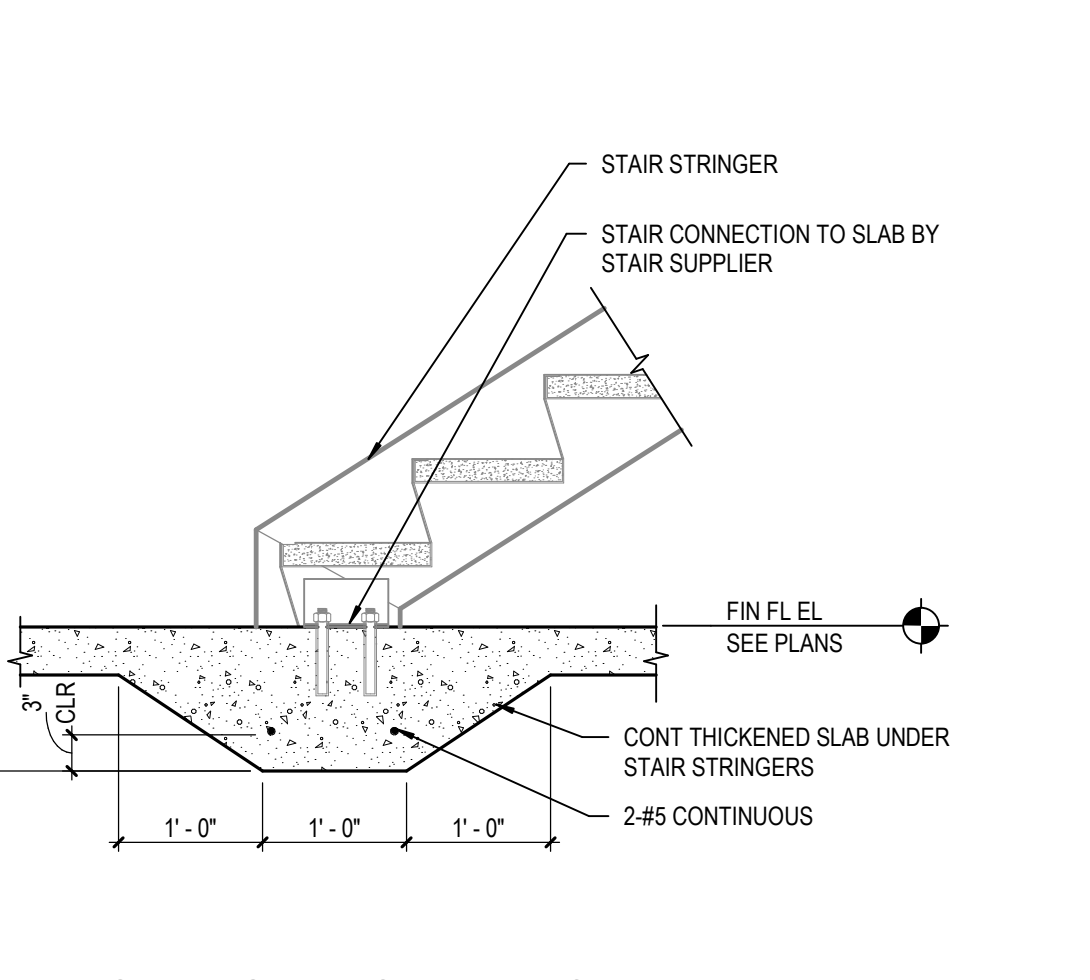
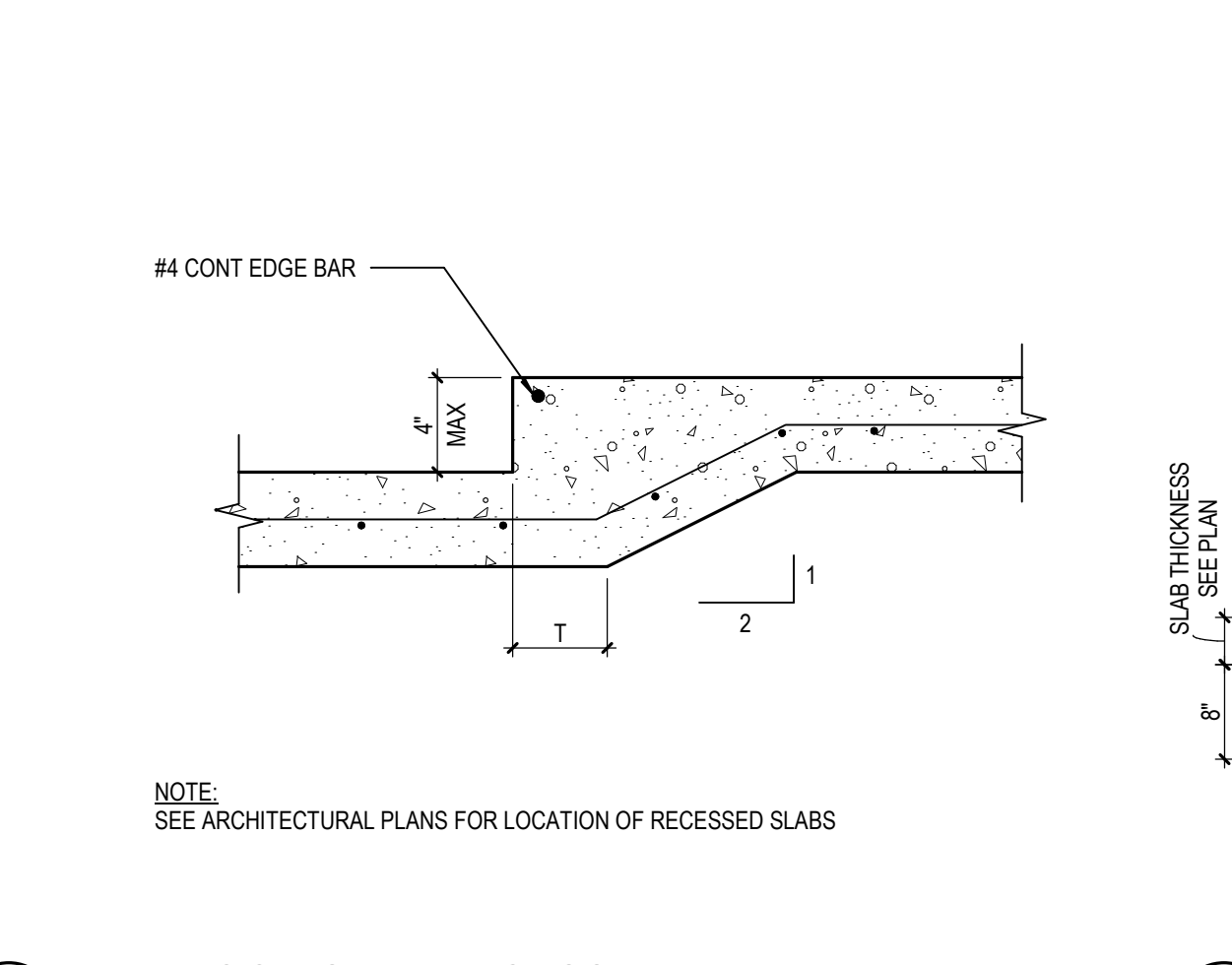
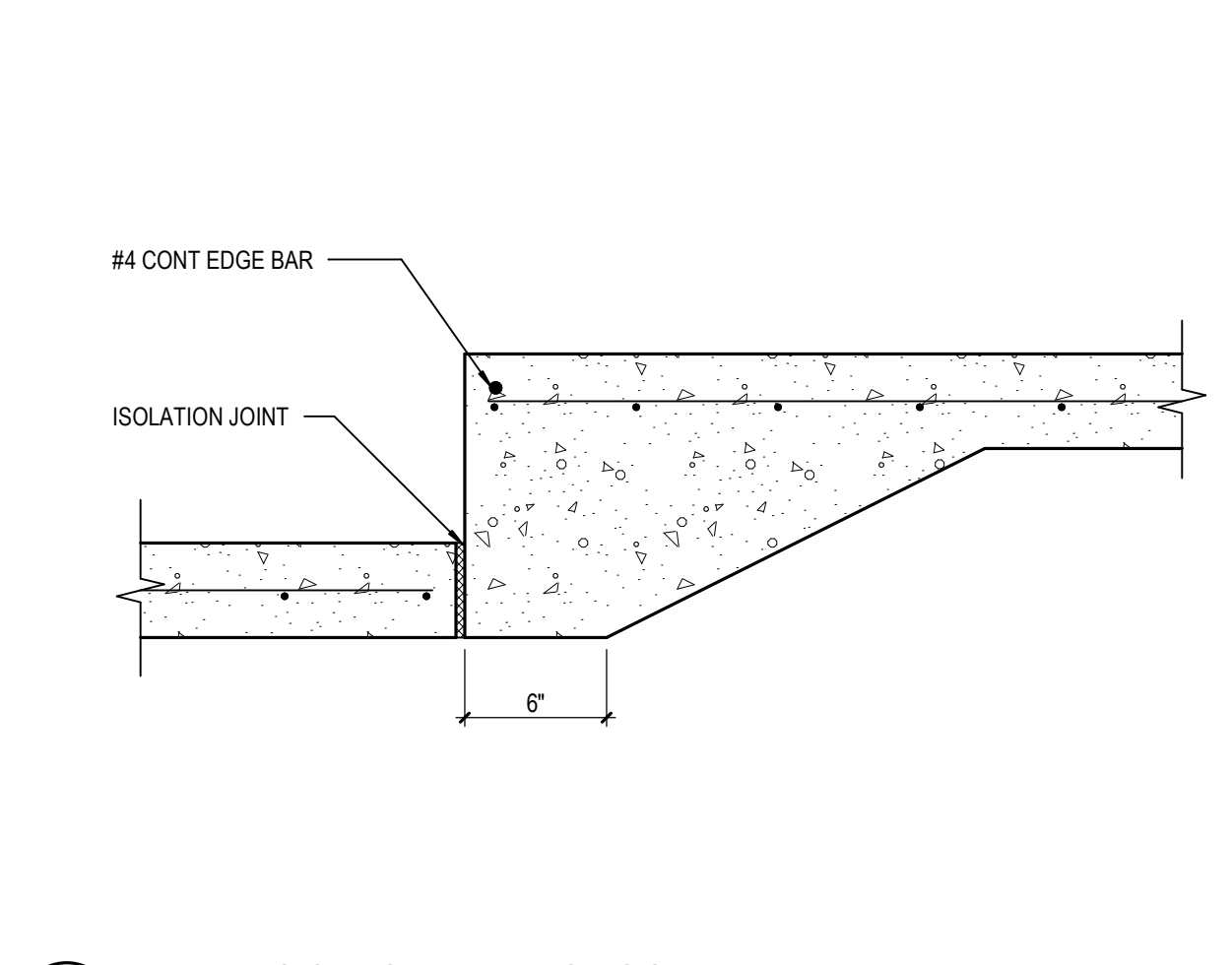
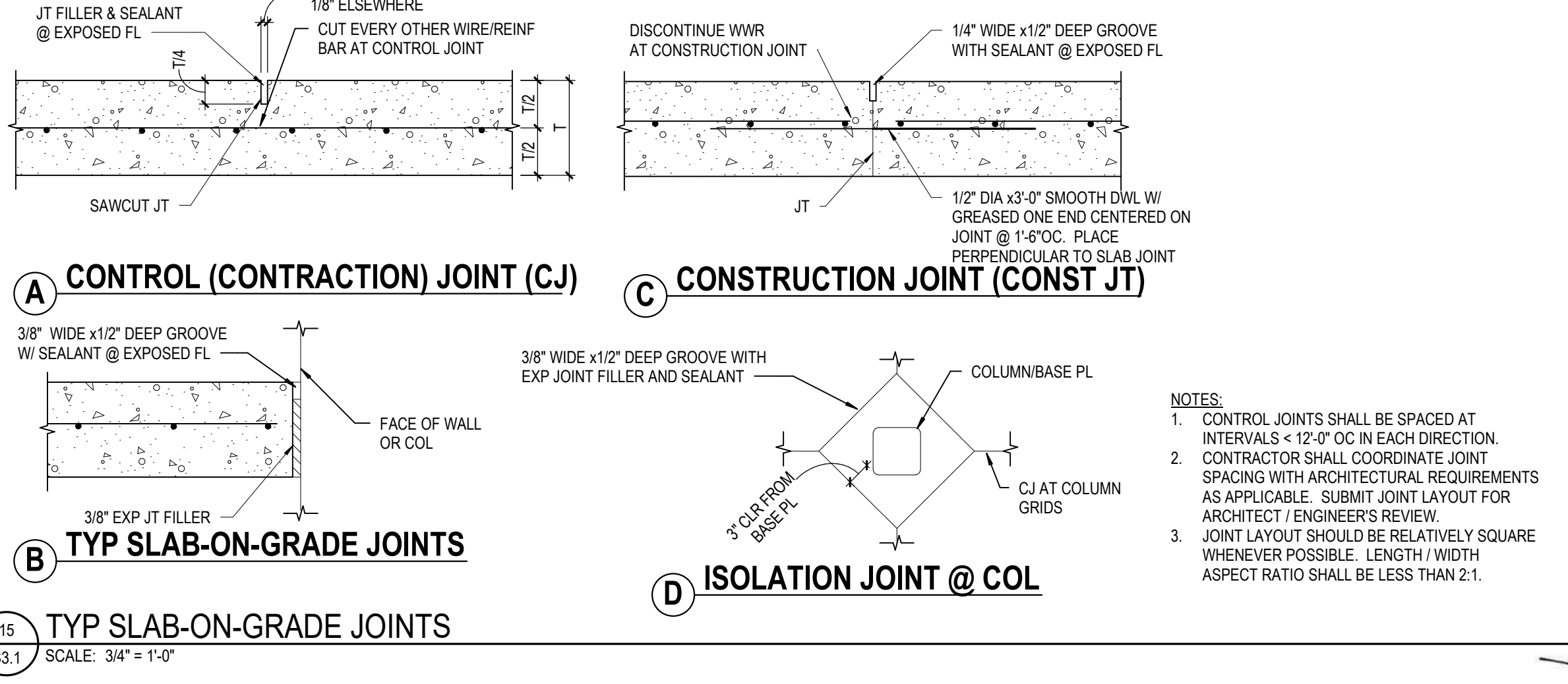
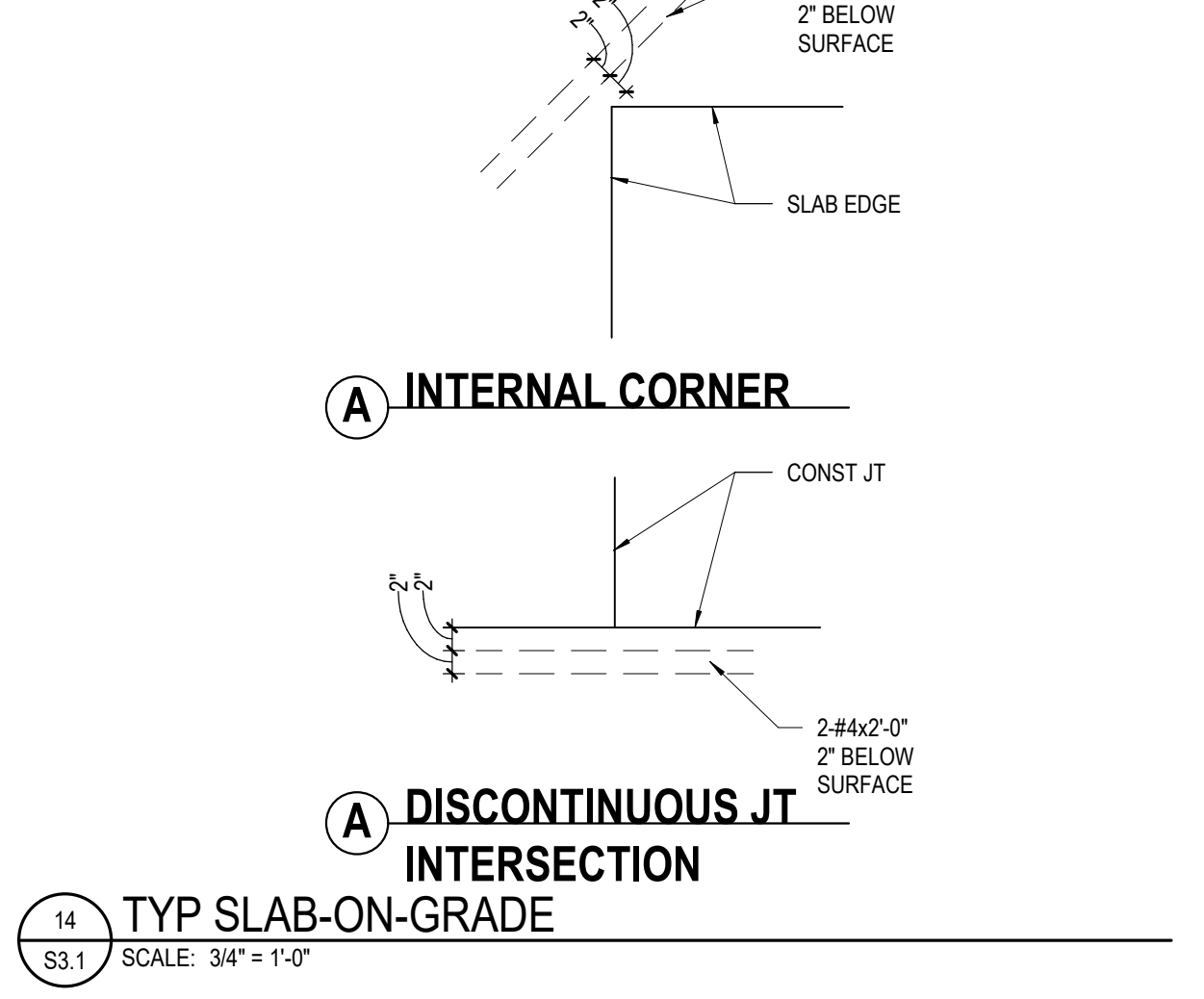
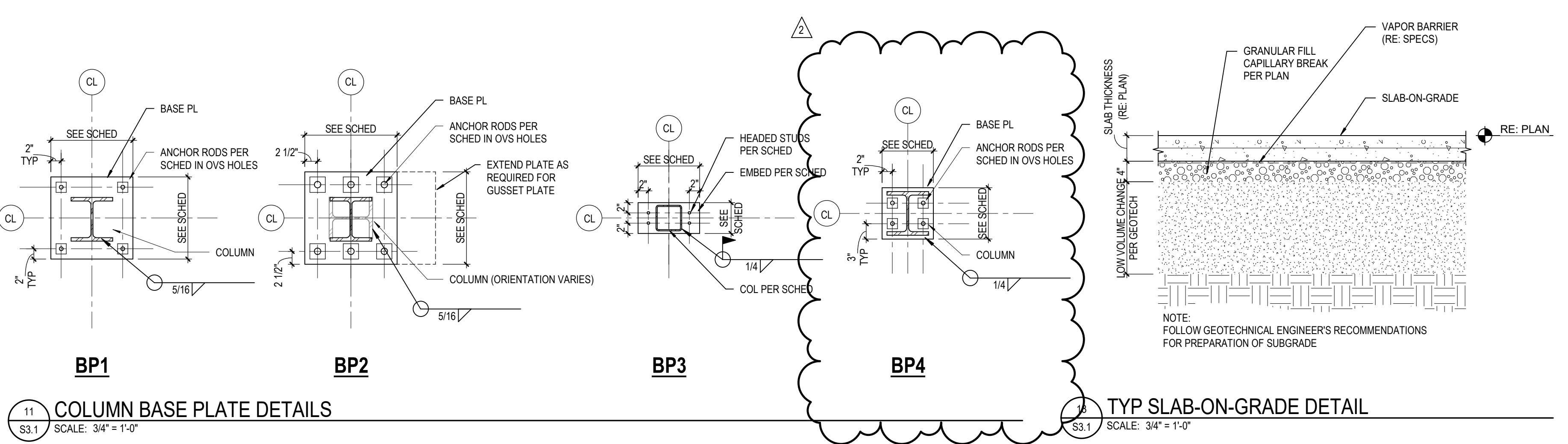
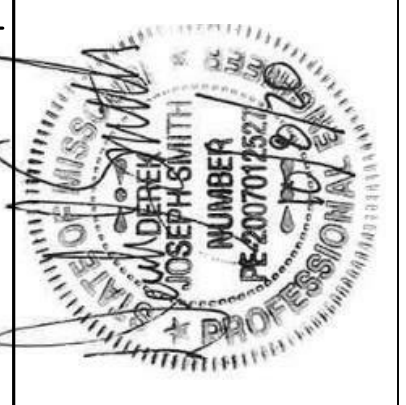
1001 SE BAILEY ROAD
LEE'S SUMMIT, MO 64681

PACKAGE 3 - BUILDING & SITE
- ISSUE FOR PERMIT
10/08/20
REVISIONS

13-20102-00
ROOF FRAMING
PLAN - AREAS S &
T

S2.2S

B:\13-20102-00\Lee's Summit Middle School 4\13-20102-00_Lee's Summit Middle School_4_ST_2020.rvt
10/7/2020 4:36:15 PM

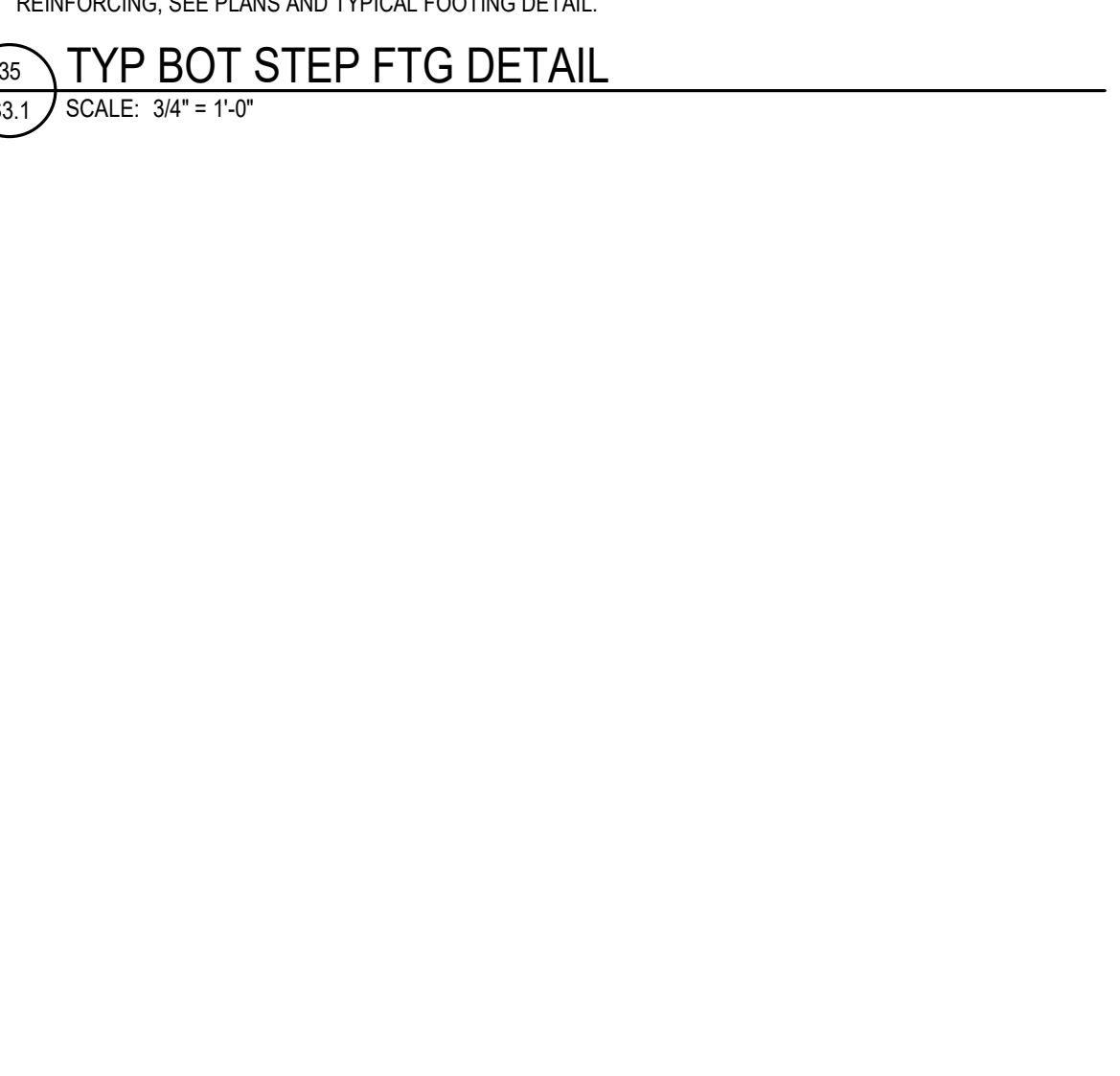
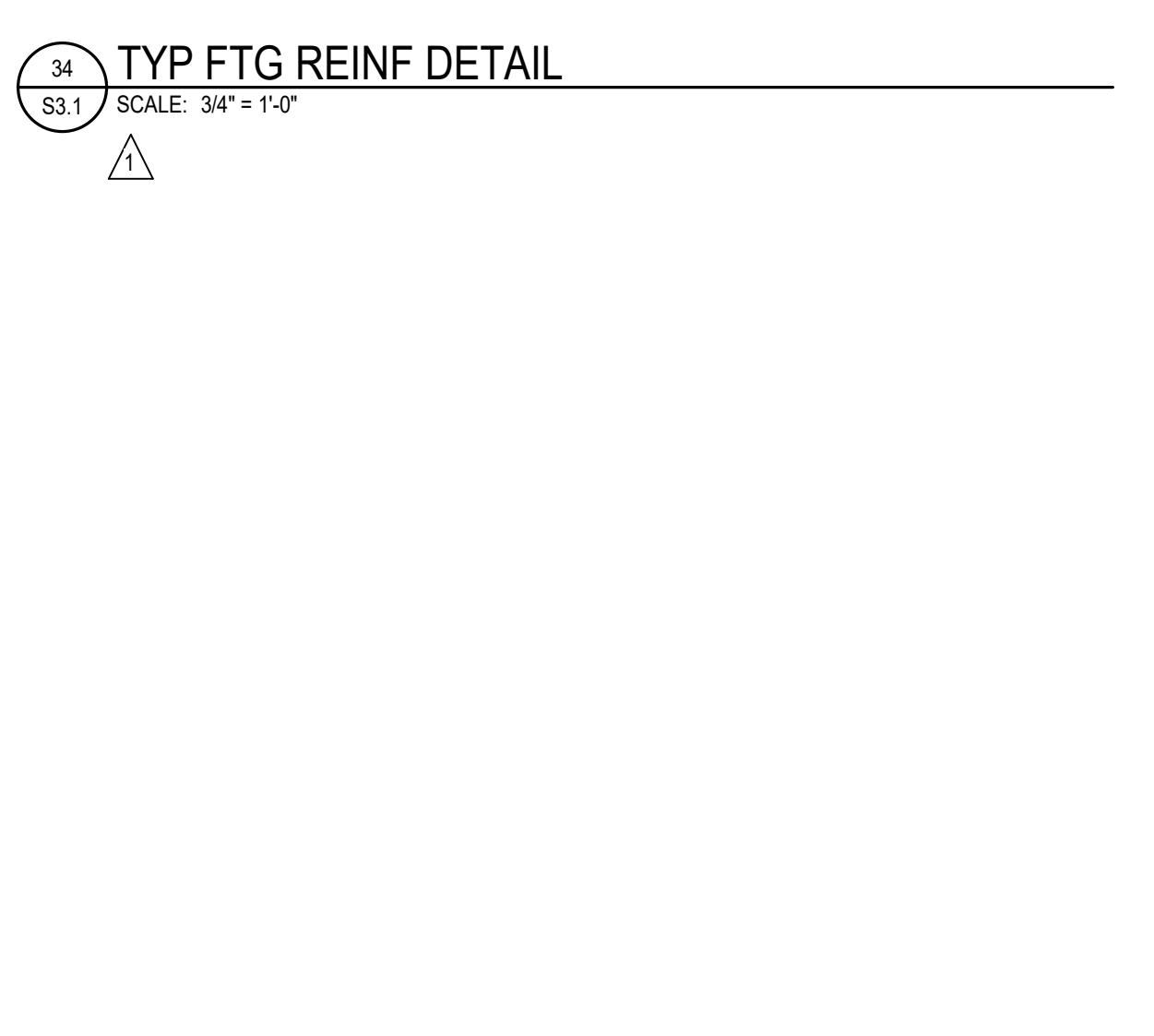
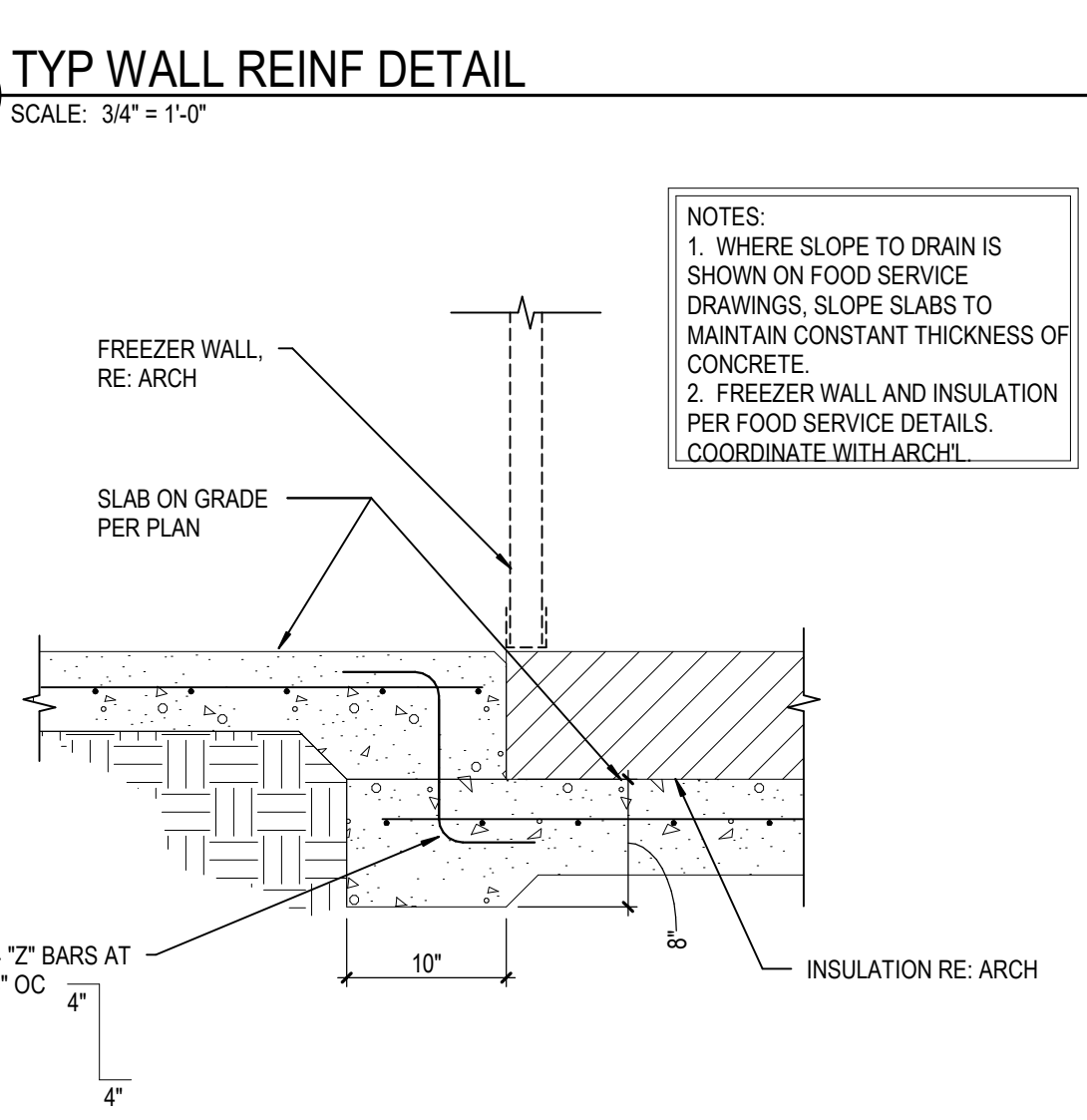


32 TYP WALL INTERSECTION REINF DETAIL
S3.1 SCALE: 3/4" = 1'-0"

DEVELOPMENT LENGTHS OF STANDARD HOOKS IN TENSION, GRADE 60 REINFORCEMENT IN NORMAL WEIGHT CONCRETE

BAR SIZE	Fc = 3,000		Fc = 4,000		Fc = 5,000		Fc = 6,000		Fc = 7,000		Fc = 8,000	
	L _{db}	0.7L _{db}	L _{db}	0.7L _{db}	L _{db}	0.7L _{db}	L _{db}	0.7L _{db}	L _{db}	0.7L _{db}	L _{db}	0.7L _{db}
#3	8	6	7	6	6	6	6	6	6	6	6	6
#4	11	8	9	7	8	6	8	6	7	6	7	6
#5	14	10	12	8	11	7	10	7	9	6	8	6
#6	16	12	14	10	13	9	12	8	11	8	10	7
#7	19	13	17	12	15	10	14	9	13	9	12	8
#8	22	15	19	13	17	12	15	11	14	10	13	9
#9	25	17	21	15	19	13	17	12	16	11	15	11
#10	28	19	24	17	22	15	20	14	18	13	17	12
#11	31	22	27	19	24	17	22	15	20	14	19	13
#14	37	NA	32	NA	29	NA	26	NA	24	NA	23	NA
#18	49	NA	43	NA	38	NA	35	NA	32	NA	30	NA

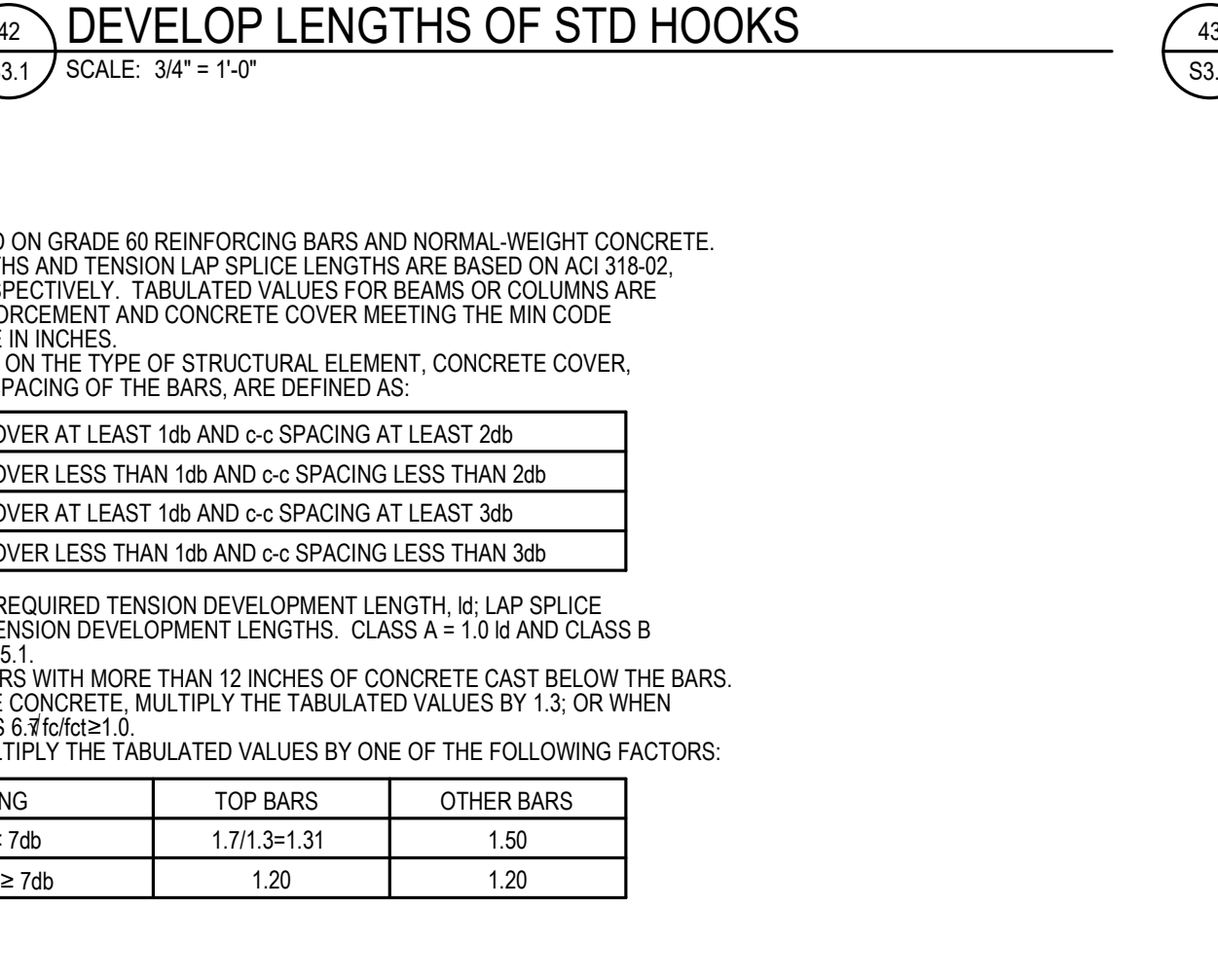
NOTES:
1. L_{db} = DEVELOPMENT LENGTH OF STANDARD HOOKS IN TENSION (INCHES).
2. L_{db} = L_{db} UNLESS CONDITIONS OF ITEM 3 ARE SATISFIED.
3. L_{db} = 0.7 L_{db} FOR #11 BARS AND SMALLER WHEN SIDE COVER (NORMAL TO PLANE OF HOOK) IS NOT LESS THAN 2".
4. HOOKS ARE NOT CONSIDERED EFFECTIVE FOR DEVELOPING BARS IN COMPRESSION.
5. L_{db} SHALL BE MULTIPLIED BY 1.2 FOR EPOXY-COATED HOOKED BARS.



41 END HOOK TYPES
S3.1 SCALE: 3/4" = 1'-0"

BAR SIZE	RECOMMENDED END HOOKS, ALL GRADES	
	180° HOOKS	90° HOOKS
#3	2 1/4	5
#4	3	6
#5	3 3/4	7
#6	4 1/2	8
#7	5 1/4	10
#8	6	11
#9	9 1/2	15
#10	10 3/4	17
#11	12	19
#14	18 1/4	27
#18	24	36

NOTES:
1. TABULATED VALUES ARE BASED ON GRADE 60 REINFORCING BARS AND NORMAL WEIGHT CONCRETE.
2. TENSION DEVELOPMENT LENGTHS AND TENSION LAP SPACING LENGTHS ARE BASED ON A 90° HOOK.
3. SECTIONS 12.2.2 AND 12.15, RESPECTIVELY, TABULATED VALUES FOR BEAMS OR COLUMNS ARE BASED ON TRANSVERSE REINFORCEMENT AND CONCRETE COVER MEETING THE MIN CODE REQUIREMENTS. LENGTHS ARE IN INCHES.
4. CASES 1 AND 2 WHICH DEPEND ON THE TYPE OF STRUCTURAL ELEMENT, CONCRETE COVER, AND THE CENTER-TO-CENTER SPACING OF THE BARS, ARE DEFINED AS:
BEAMS OR COLUMNS CASE 1 COVER AT LEAST 1db AND c-c SPACING AT LEAST 2db
CASE 2 COVER LESS THAN 1db AND c-c SPACING LESS THAN 2db
ALL OTHERS CASE 1 COVER AT LEAST 1db AND c-c SPACING AT LEAST 3db
CASE 2 COVER LESS THAN 1db AND c-c SPACING LESS THAN 3db
5. LAP CLASS A VALUES ARE THE REQUIRED TENSION DEVELOPMENT LENGTH. LAP CLASS B VALUES ARE MULTIPLES OF TENSION DEVELOPMENT LENGTHS. CLASS A = 1.0 (H) AND CLASS B = 1.3 (AD).
6. TOP BARS ARE HORIZONTAL BARS WITH MORE THAN 12 INCHES OF CONCRETE CAST BELOW THE BARS. FOR LIGHT WEIGHT AGGREGATE CONCRETE, MULTIPLY THE TABULATED VALUES BY 1.3, OR WHEN IS IS SPECIFIED, THE FACTOR IS 6/(F_{cr} + 1).
7. FOR EPOXY COATED BARS, MULTIPLY THE TABULATED VALUES BY ONE OF THE FOLLOWING FACTORS:
CONCRETE COVER AND SPACING TOP BARS OTHER BARS
COVER < 3db OR c-c SPACING < 7db 1.7(1.3+1.31) 1.50
COVER ≥ 3db AND c-c SPACING ≥ 7db 1.20 1.20

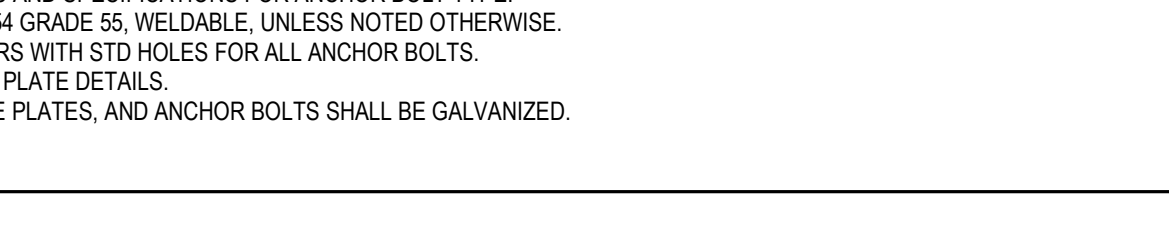
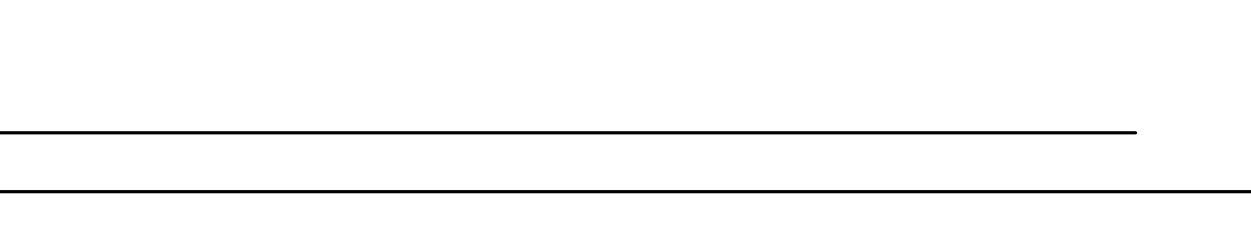
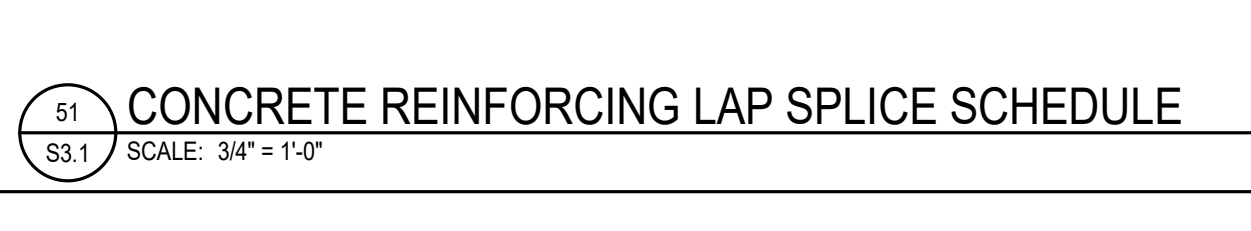
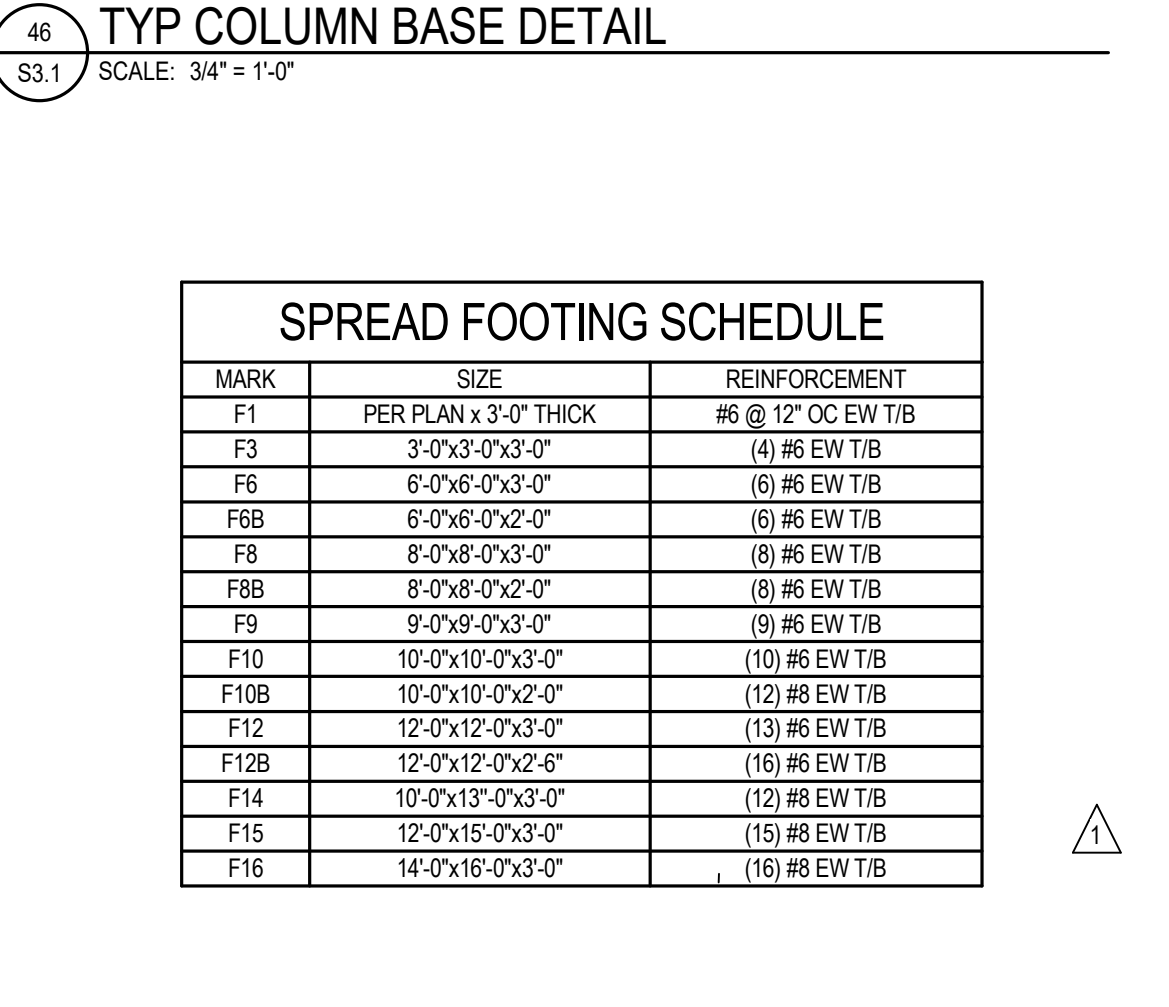
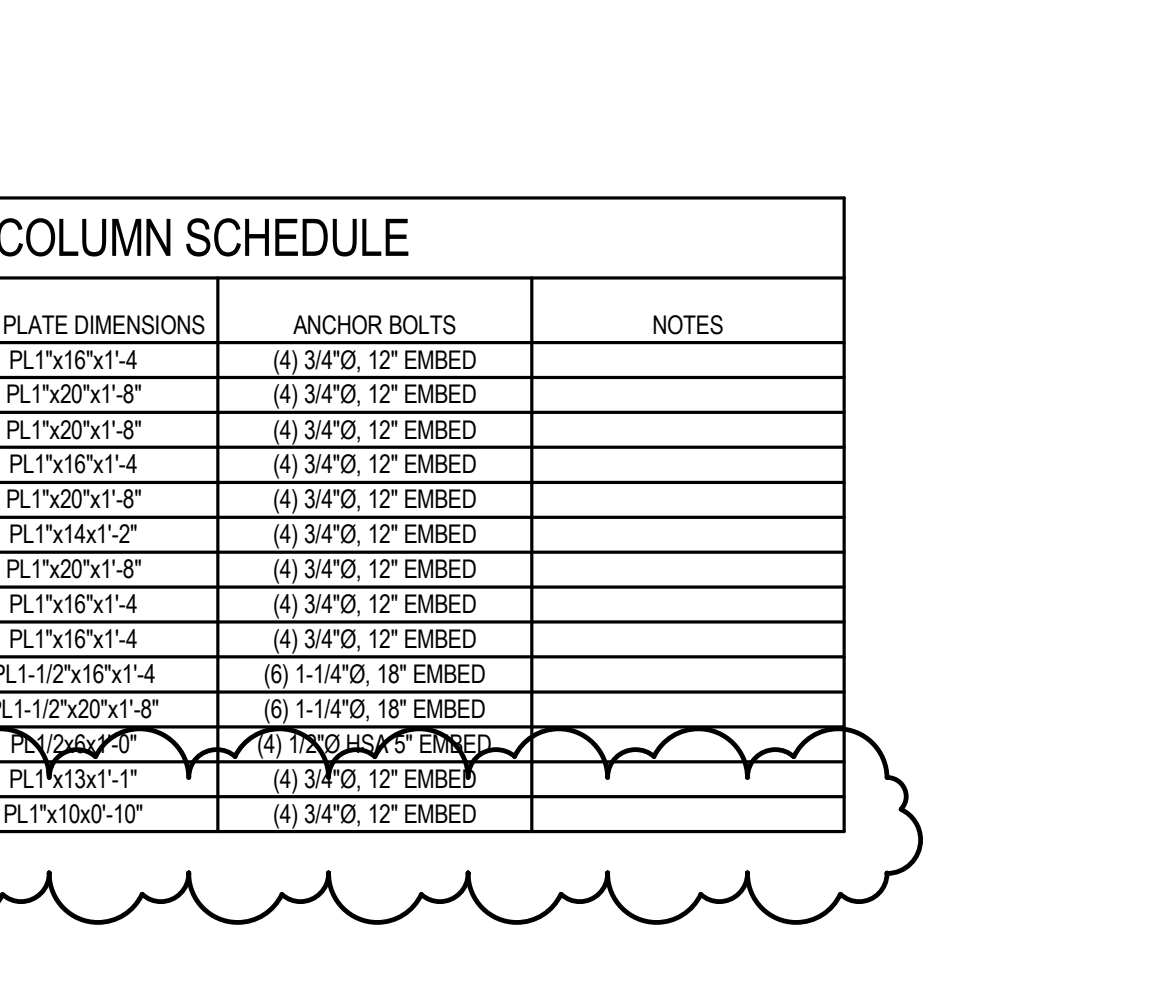


STEEL COLUMN SCHEDULE

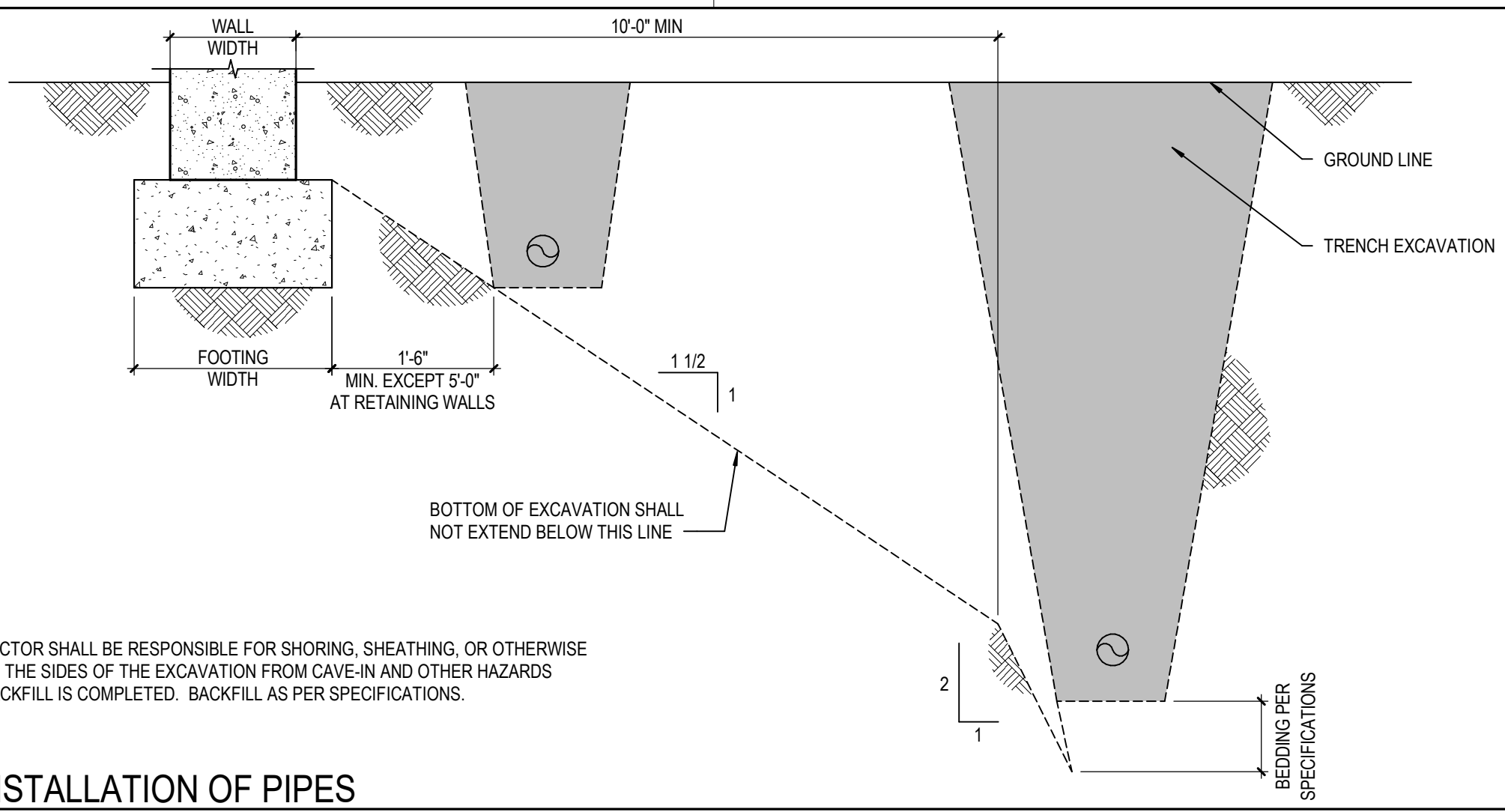
MARK	SIZE	BASE PLATE	BASE PLATE DIMENSIONS	ANCHOR BOLTS	NOTES
C1	W6x8	TYPE 1	PL 1'x16'x1'-4"	(4) 3/4" x 12" EMBED	
C2	W12x72	TYPE 1	PL 1'x20'x1'-3"	(4) 3/4" x 12" EMBED	
C3	HSS12x12x3/8	TYPE 1	PL 1'x20'x1'-3"	(4) 3/4" x 12" EMBED	
C4	W6x31	TYPE 1	PL 1'x16'x1'-4"	(4) 3/4" x 12" EMBED	
C5	W12x79	TYPE 1	PL 1'x20'x1'-3"	(4) 3/4" x 12" EMBED	
C6	HSS8x8x1/4	TYPE 1	PL 1'x16'x1'-2"	(4) 3/4" x 12" EMBED	
C7	W10x49	TYPE 1	PL 1'x20'x1'-3"	(4) 3/4" x 12" EMBED	
C8	W6x35	TYPE 1	PL 1'x16'x1'-4"	(4) 3/4" x 12" EMBED	
C9	HSS10x10x3/8	TYPE 1	PL 1'x16'x1'-4"	(4) 3/4" x 12" EMBED	
C10	W8x48	TYPE 2	PL 1'x12'x16'x1'-4"	(8) 1/4" x 16" EMBED	
C11	W12x72	TYPE 2	PL 1'x20'x1'-3"	(8) 1/4" x 16" EMBED	
C12	HSS5x5x3/8	TYPE 3	PL 1'x16'x1'-2"	(4) 7/8" x 12" EMBED	
C13	HSS5x5x3/8	TYPE 3	PL 1'x13'x1'-1"	(4) 3/4" x 12" EMBED	
C14	W8x48	TYPE 4	PL 1'x10'x1'-0"	(4) 3/4" x 12" EMBED	

SPREAD FOOTING SCHEDULE

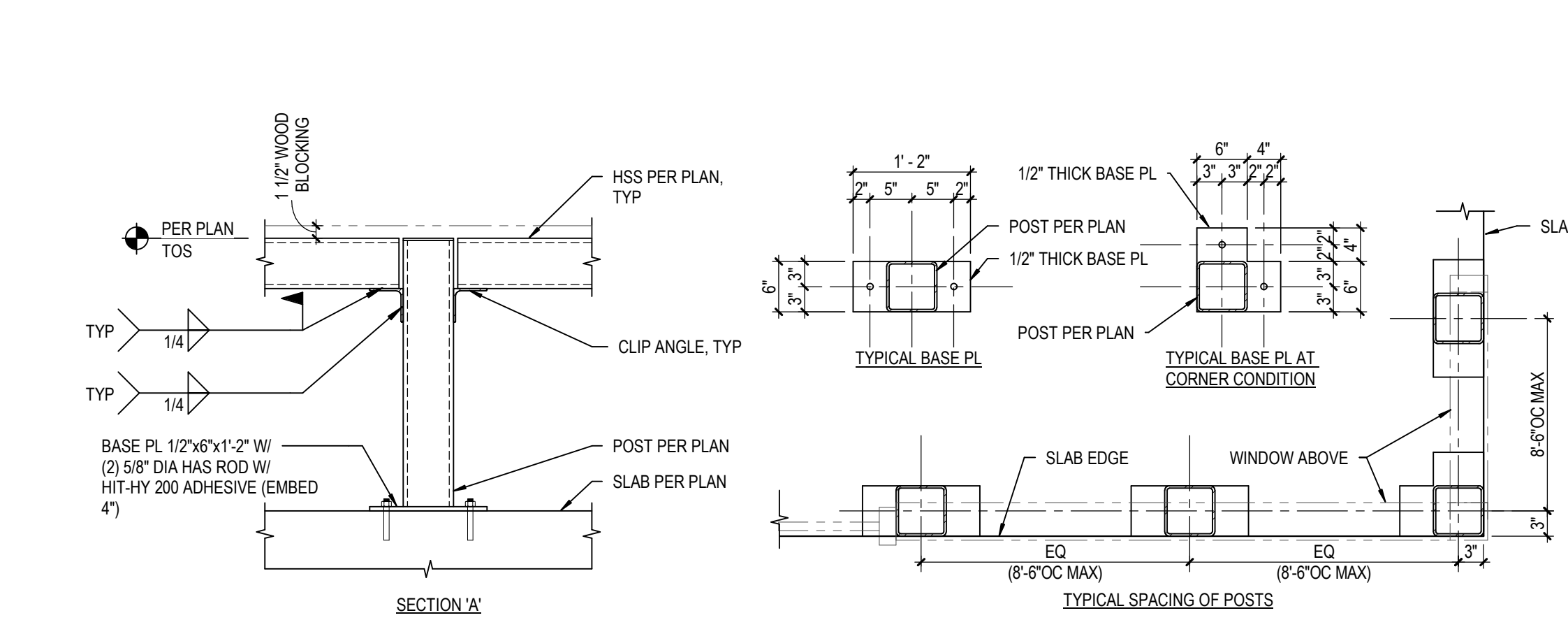
MARK	SIZE	REINFORCEMENT
F1	PER PLAN x 3'-0" THICK	#6 @ 12" OC EW T/B
F3	3'-0" x 3'-0"	(4) #6 EW T/B
F6	6'-0" x 6'-0"	(8) #6 EW T/B
F6B	6'-0" x 6'-0"	(8) #6 EW T/B
F8	8'-0" x 8'-0"	(8) #6 EW T/B
F8B	8'-0" x 8'-0"	(8) #6 EW T/B
F9	9'-0" x 9'-0"	(8) #6 EW T/B
F10	10'-0" x 10'-0"	(10) #6 EW T/B
F10B	10'-0" x 10'-0"	(12) #6 EW T/B
F12	12'-0" x 12'-0"	(13) #6 EW T/B
F14	12'-0" x 12'-0"	(16) #6 EW T/B
F15	12'-0" x 15'-0"	(13) #6 EW T/B
F16	14'-0" x 16'-0"	(16) #6 EW T/B



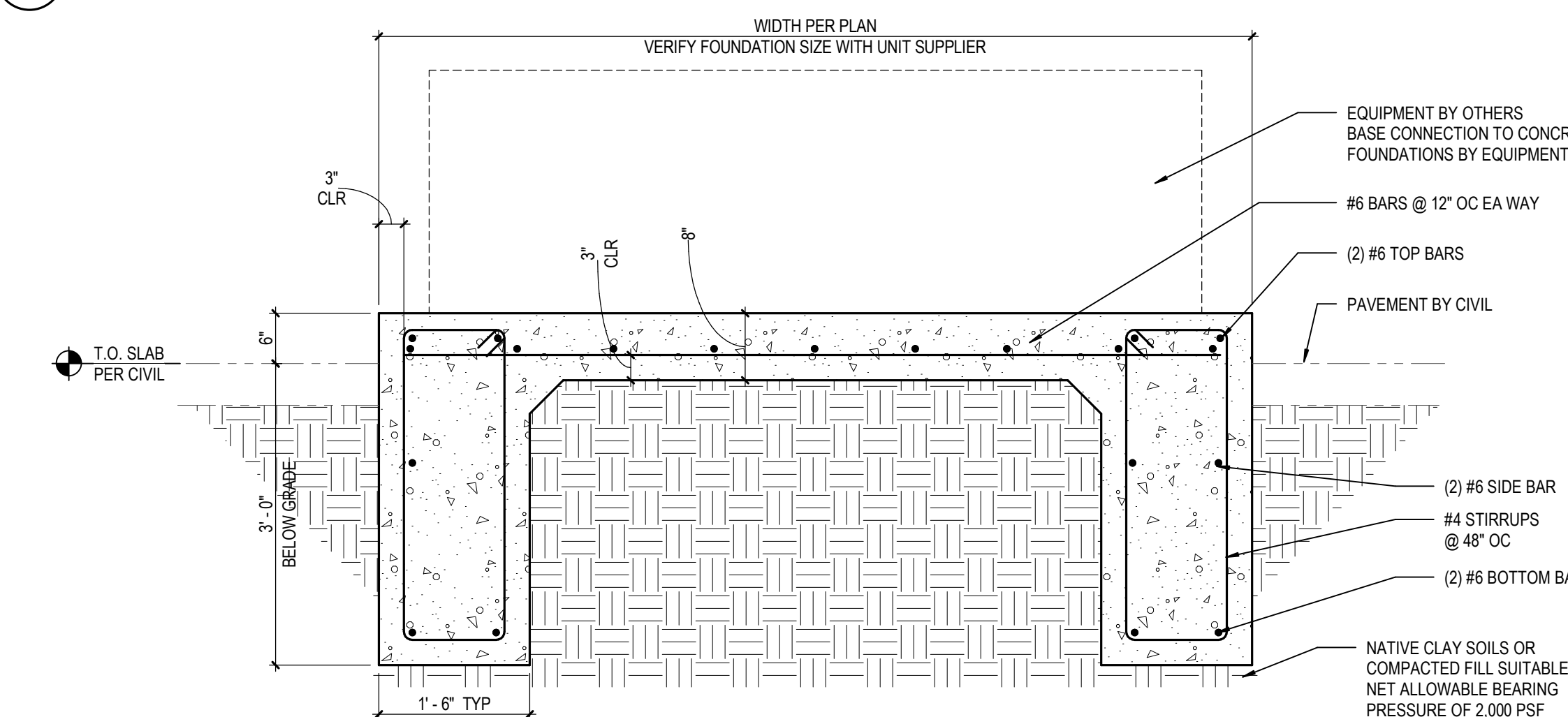
B:\30\19-20102-00\Lee's Summit Middle School\419-20102-00_Lee's Summit Middle School - S3_2020.rvt
10/19/2020 11:14:20 AM



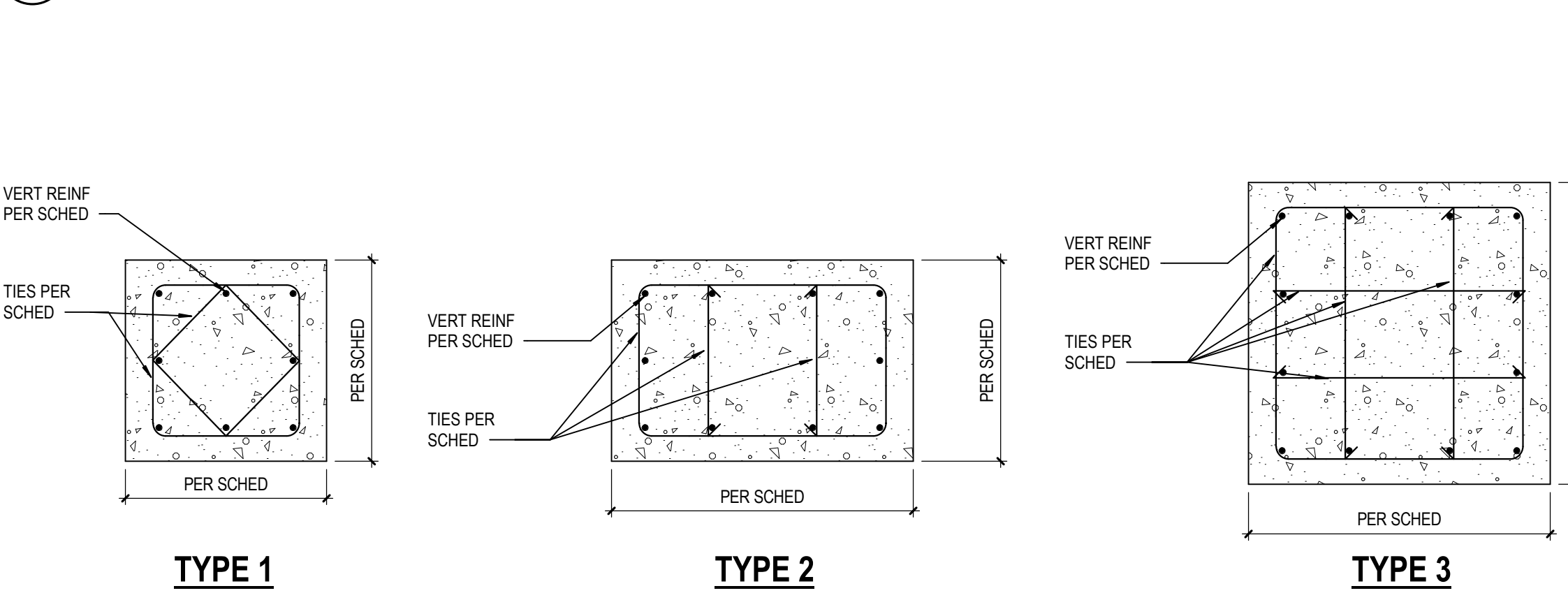
11 TYP INSTALLATION OF PIPES
S3.2 SCALE: 3/4" = 1'-0"



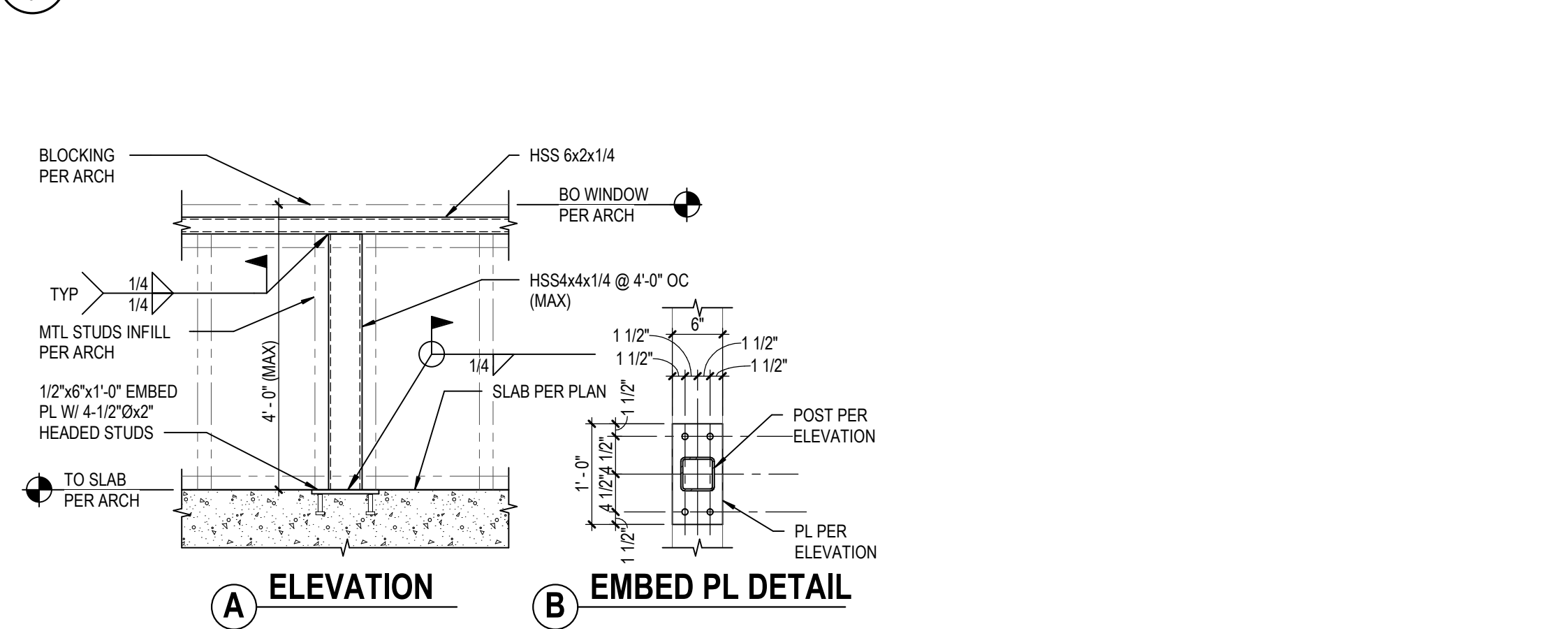
21 TYP WINDOW OR LOUVER FRAMING SUPPORTS
S3.2 SCALE: 3/4" = 1'-0"



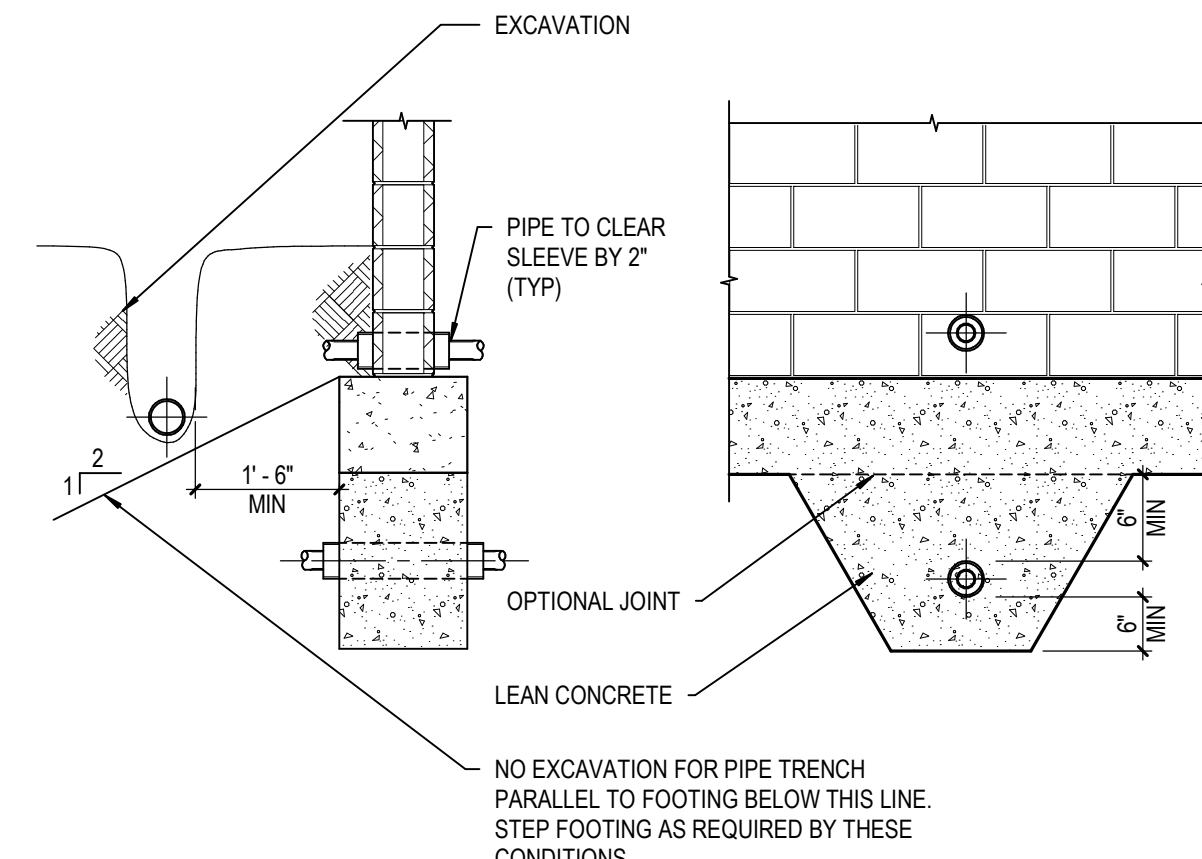
31 TYPICAL MECHANICAL EQUIPMENT FOUNDATION
S3.2 SCALE: 3/4" = 1'-0"



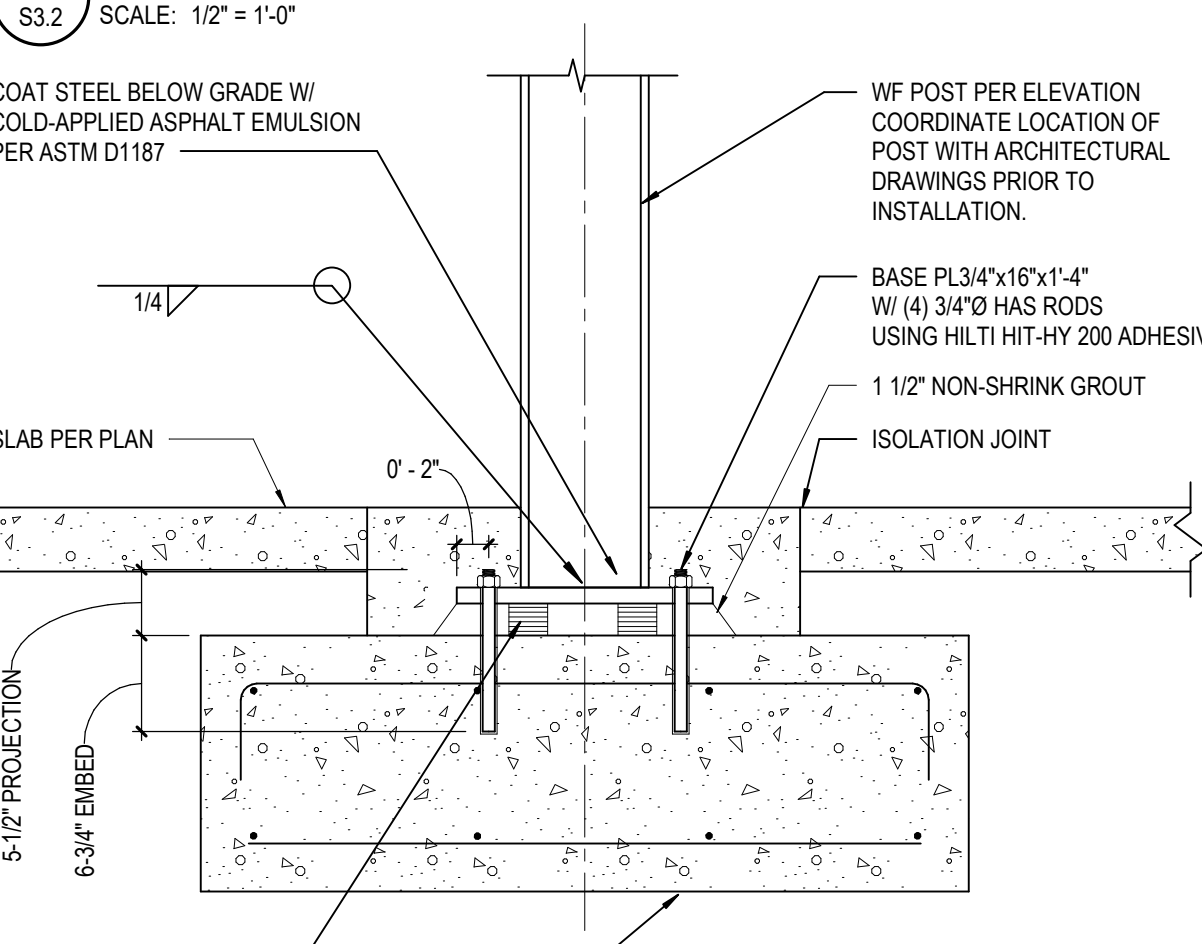
41 CONCRETE COLUMN SCHEDULE & REINF DETAILS
S3.2 SCALE: 3/4" = 1'-0"



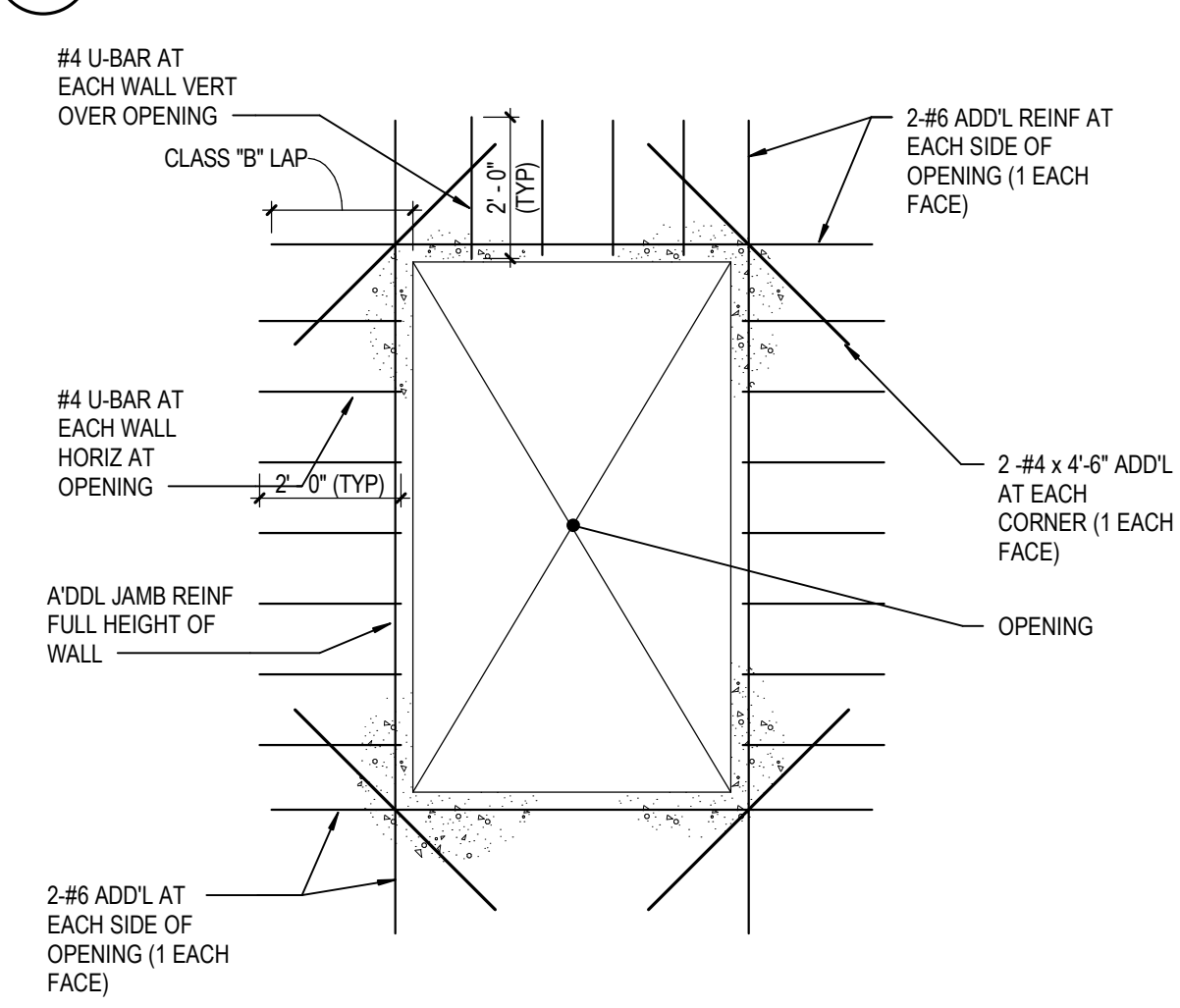
51 TYPICAL DETAIL
S3.2 SCALE: 3/4" = 1'-0"



13 TYP FTG PENETRATION DETAIL
S3.2 SCALE: 1/2" = 1'-0"

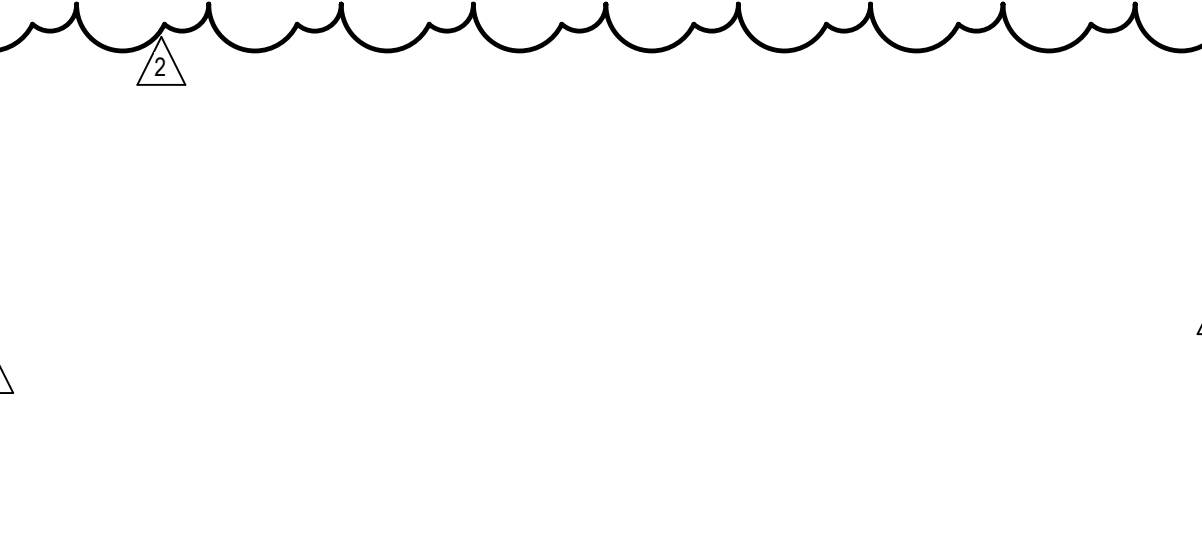


23 TYPICAL WF POST CONNECTION DETAIL
S3.2 SCALE: 1" = 1'-0"



33 TYP REINFORCED WALL OPENING DETAIL
S3.2 SCALE: 3/8" = 1'-0"

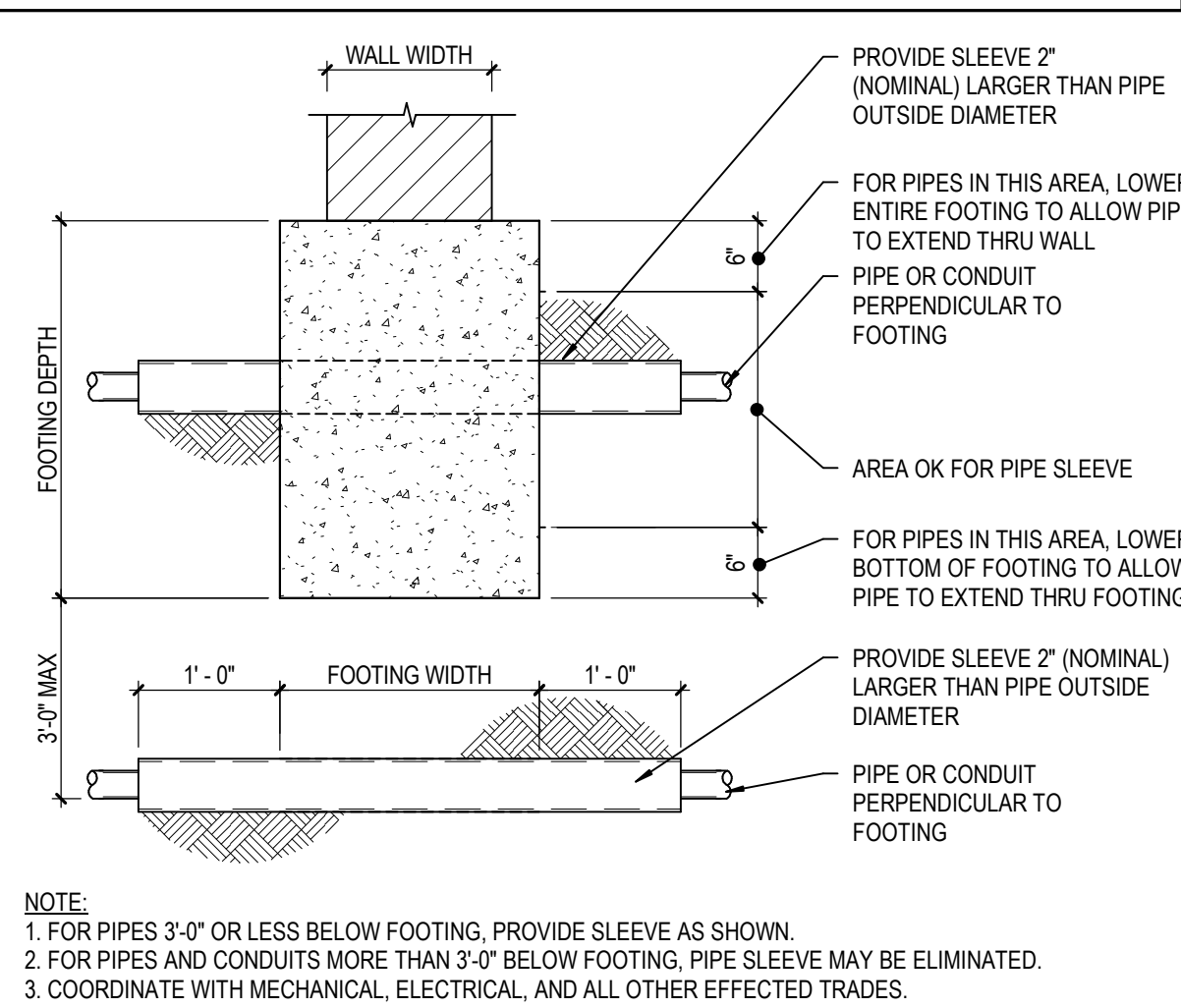
CONC COLUMN SCHEDULE				
MARK	SIZE	VERTICAL REINFORCEMENT	TIES	TYPE
CC1	24 x 24	(8) #5 VERT	#4 TIES @ 3R@12	TYPE 1
CC2	24 x 24	(10) #5 VERT	#4 TIES @ 3R@12	TYPE 2
CC3	36 x 36	(12) #8 VERT	#4 TIES @ 3R@12	TYPE 3
CC4	20 x 20	(6) #6 VERT	#4 TIES @ 3R@12	TYPE 1



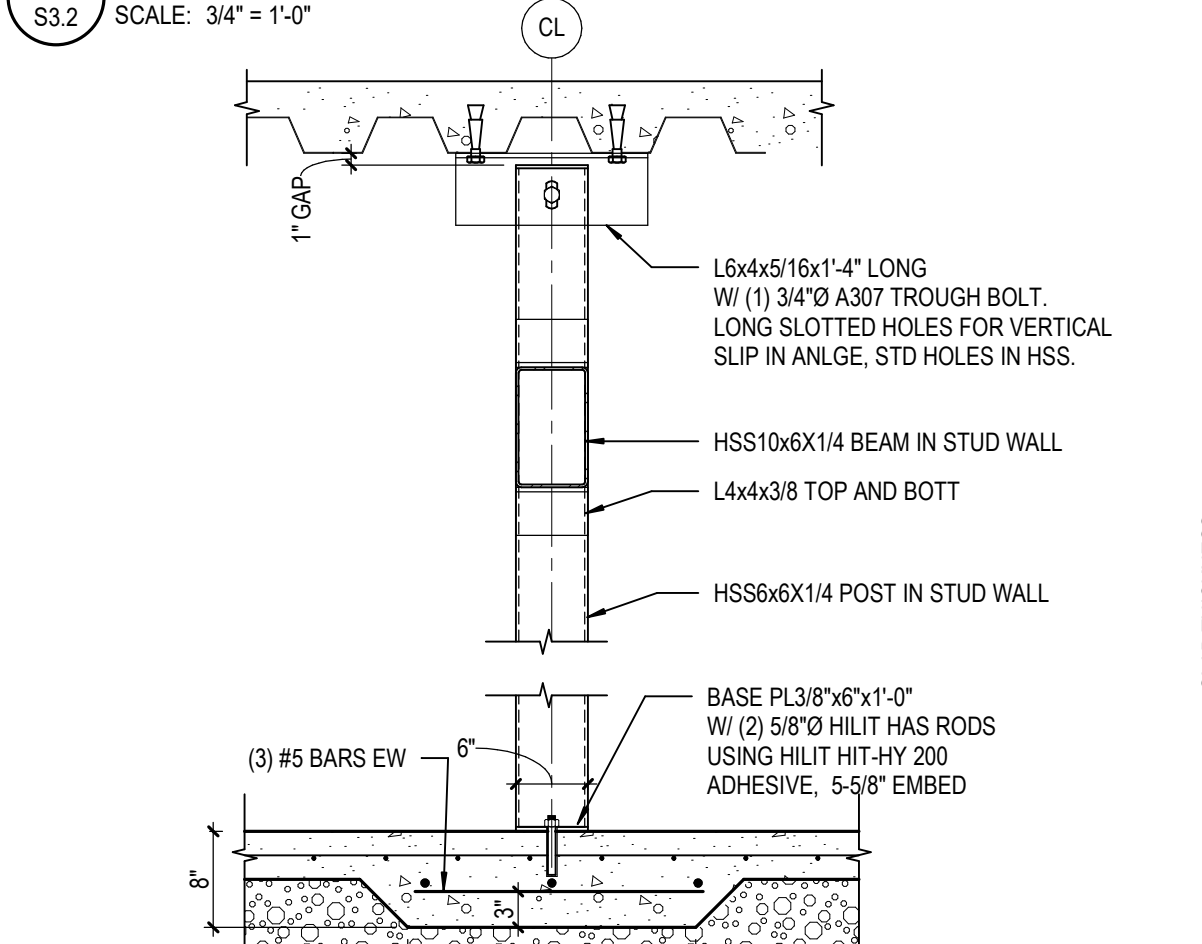
44 TYP COLUMN BASE ON CONC COLUMN DETAIL
S3.2 SCALE: 3/4" = 1'-0"



54 TYP WF BASE CLOSURE PLATE DETAIL
S3.2 SCALE: 1" = 1'-0"



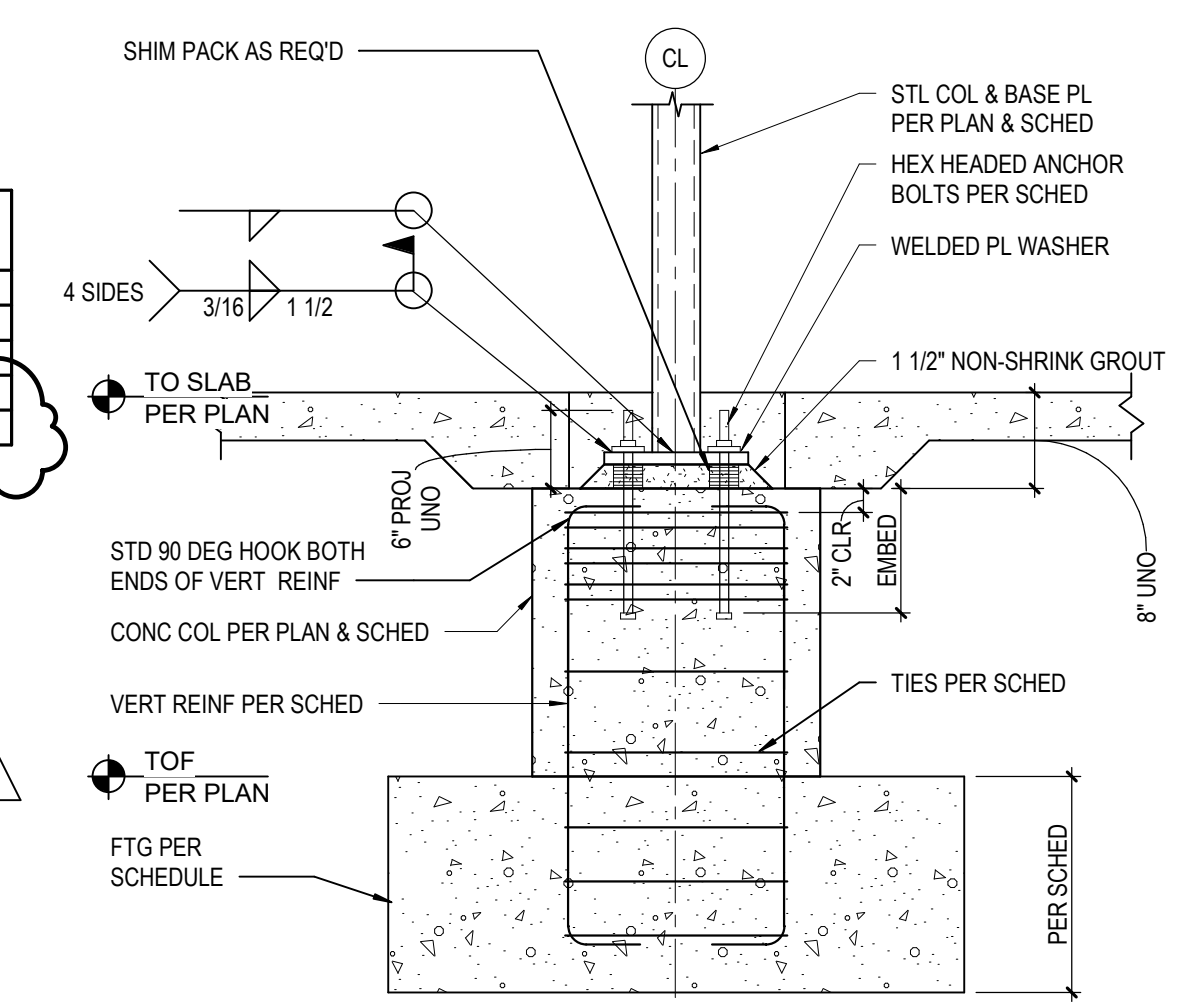
14 TYP INSTALLATION OF PIPES
S3.2 SCALE: 3/4" = 1'-0"



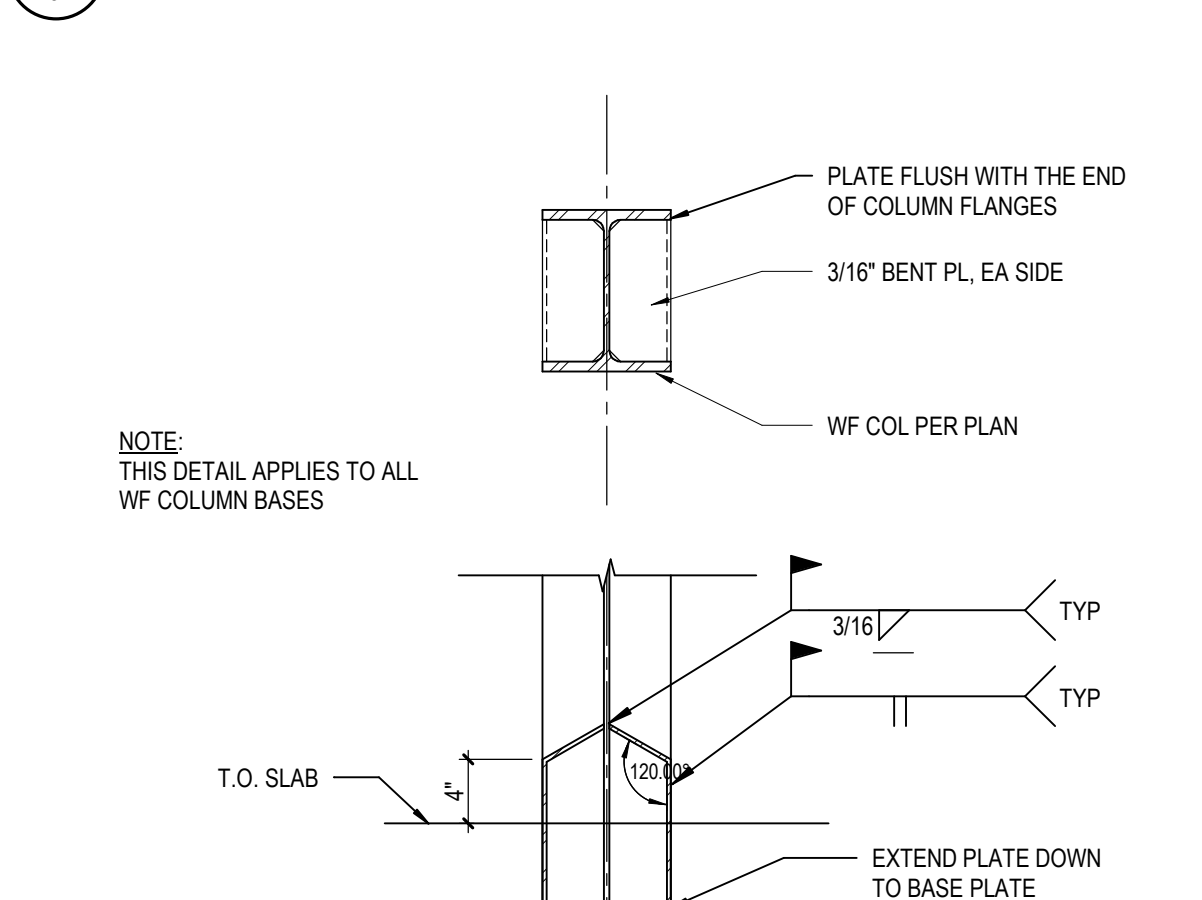
24 TYP STOREFRONT AT MAIN COMMONS DETAIL
S3.2 SCALE: 3/4" = 1'-0"



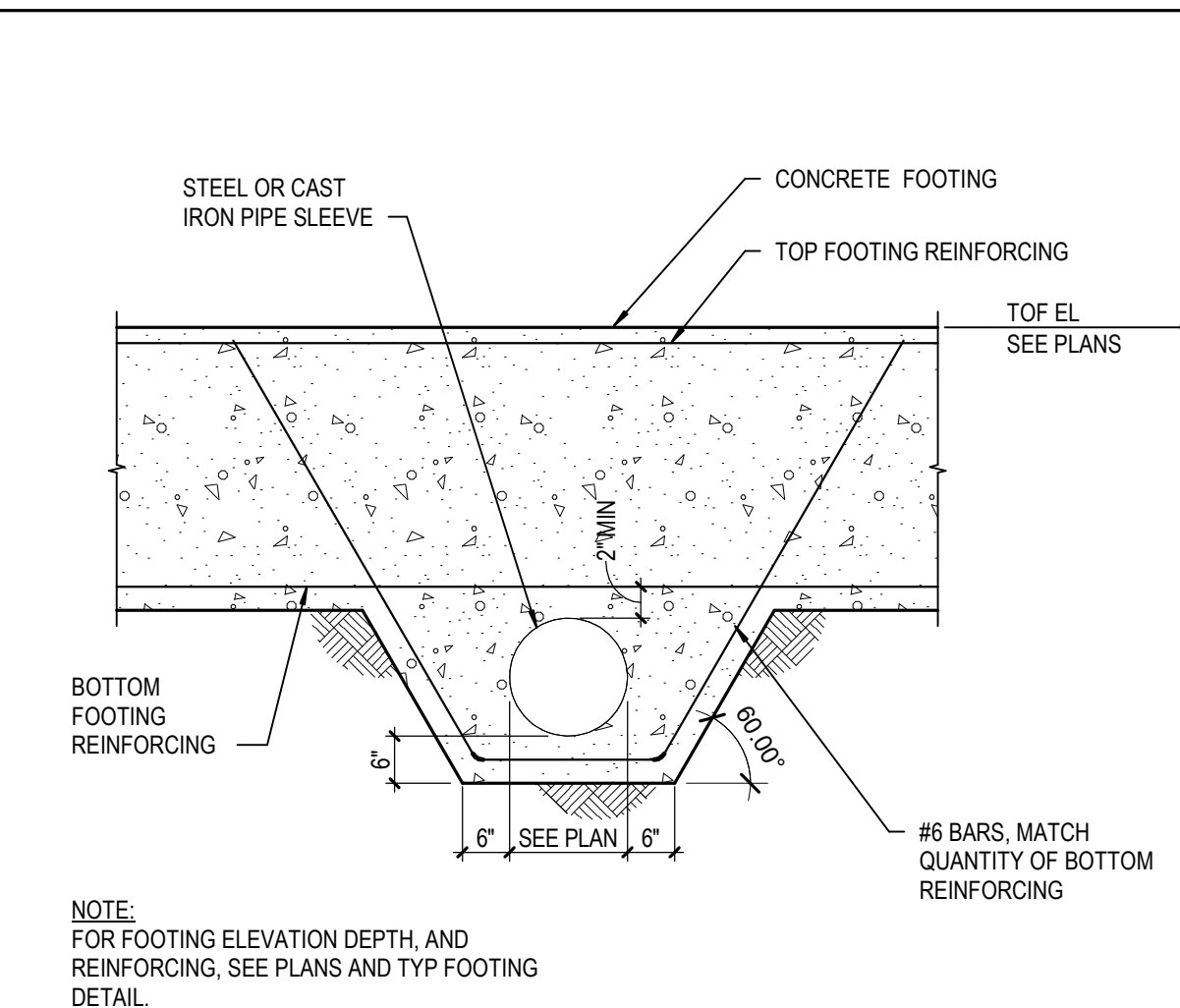
35 TYP PARTIAL HEIGHT WALL SUPPORT DETAIL
S3.2 SCALE: 3/4" = 1'-0"



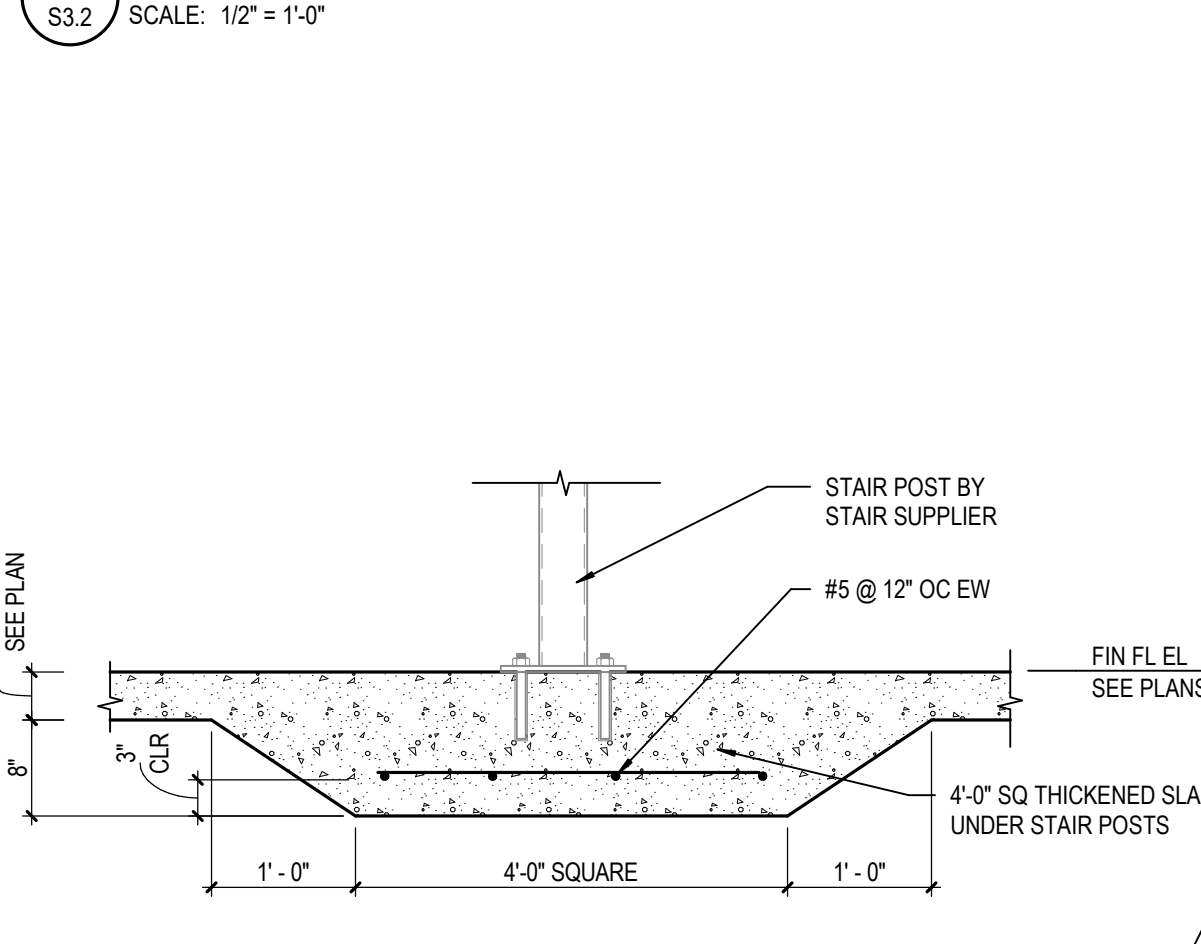
44 TYP COLUMN BASE ON CONC COLUMN DETAIL
S3.2 SCALE: 3/4" = 1'-0"



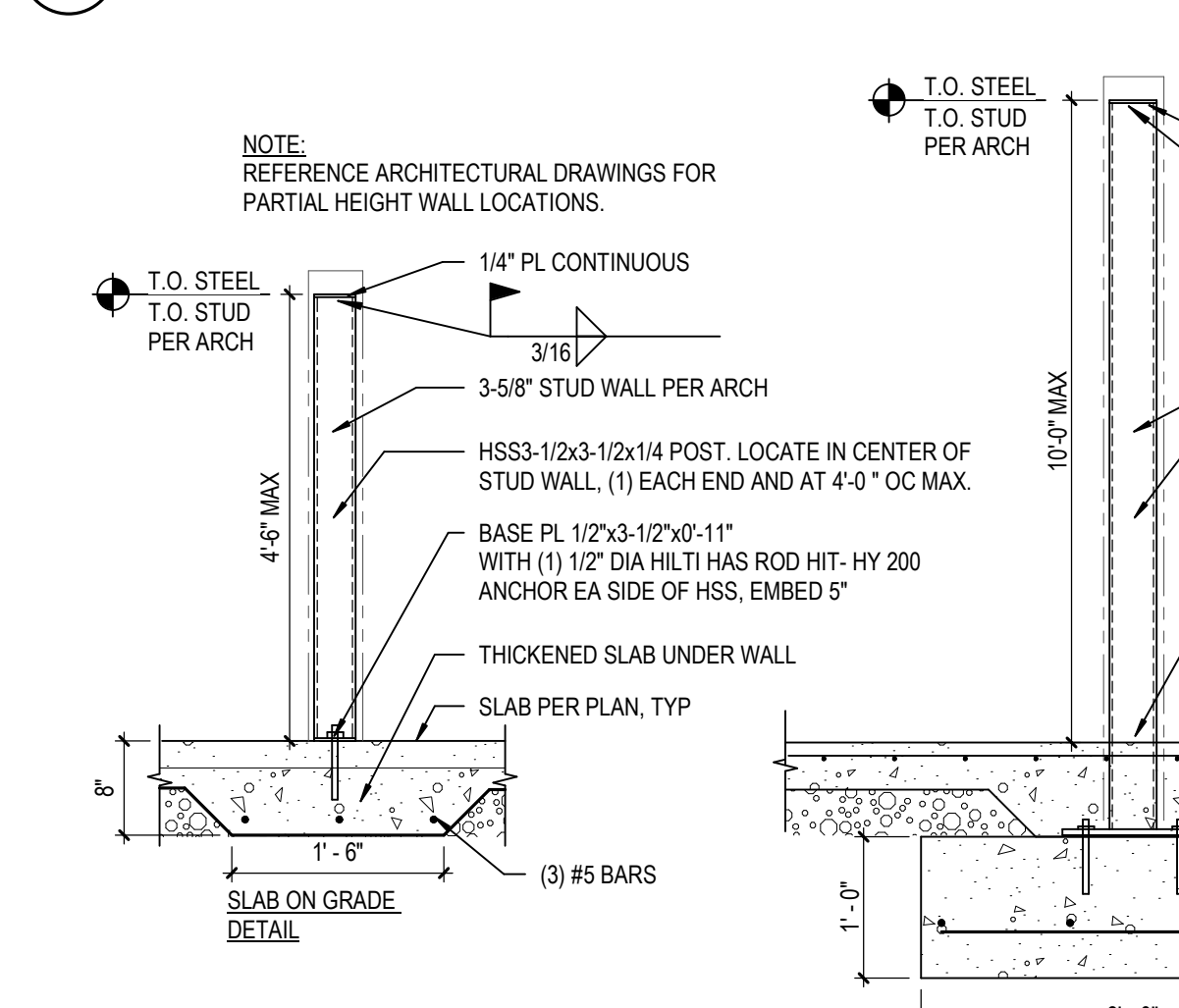
54 TYP WF BASE CLOSURE PLATE DETAIL
S3.2 SCALE: 1" = 1'-0"



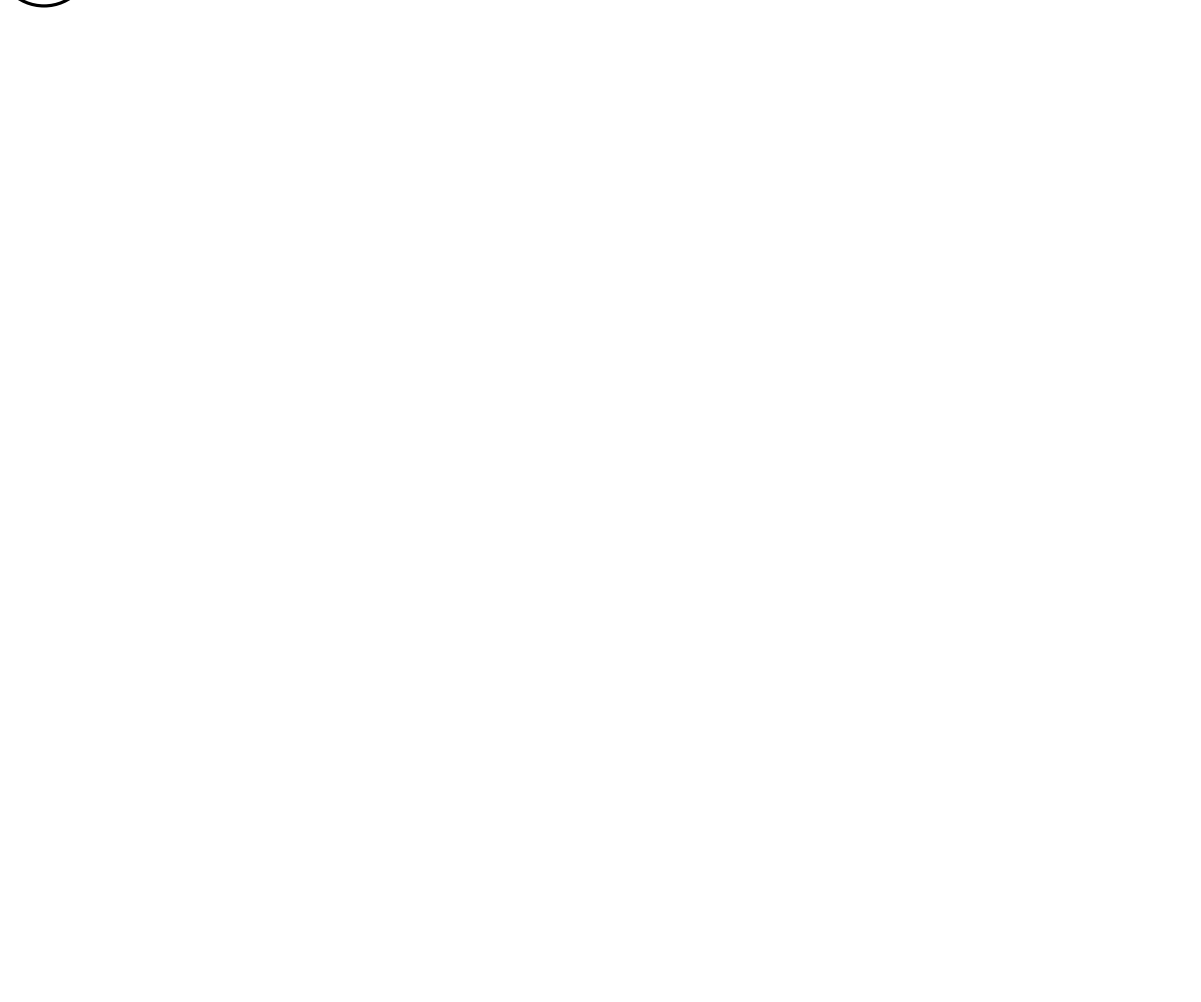
15 TYP PIPE SLEEVE DETAIL
S3.2 SCALE: 1/2" = 1'-0"



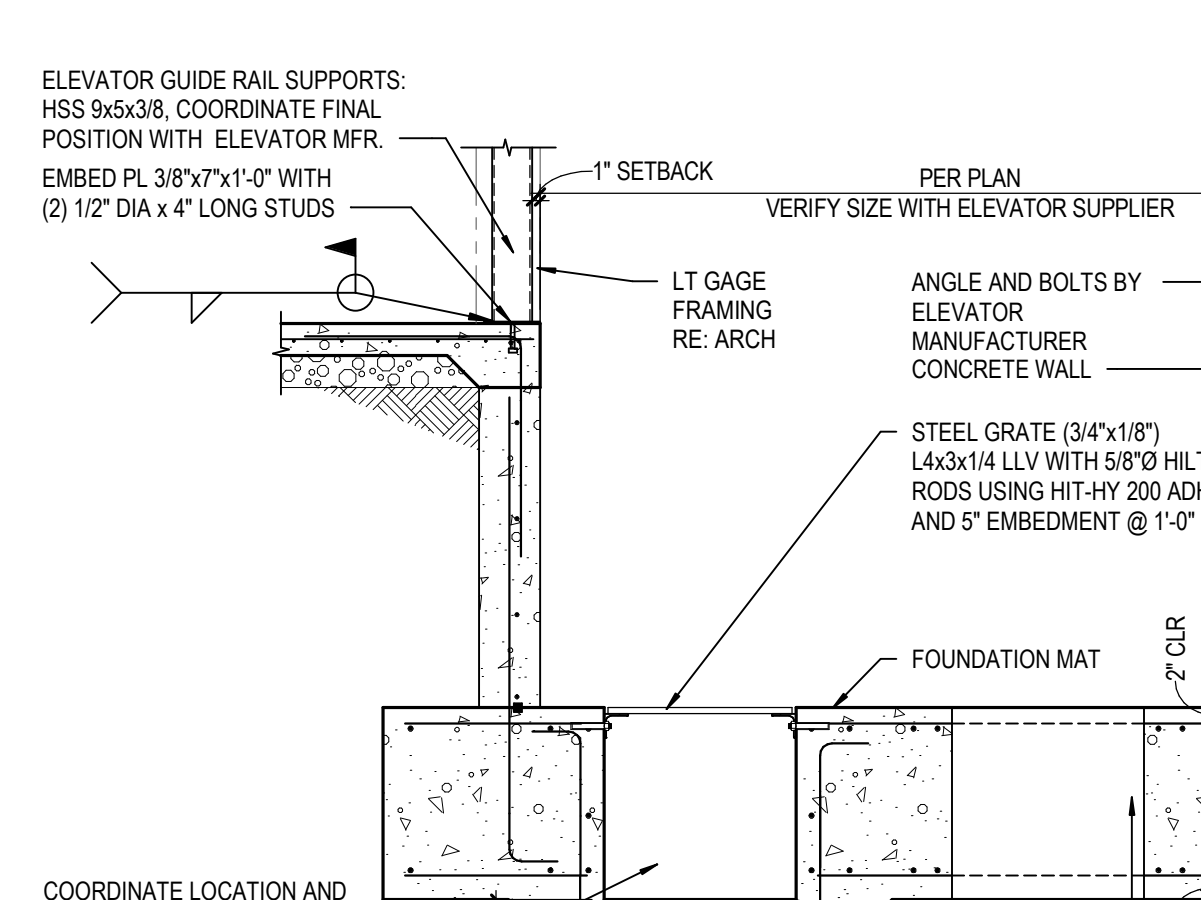
25 TYP STAIR POST BASE DETAIL
S3.2 SCALE: 3/4" = 1'-0"



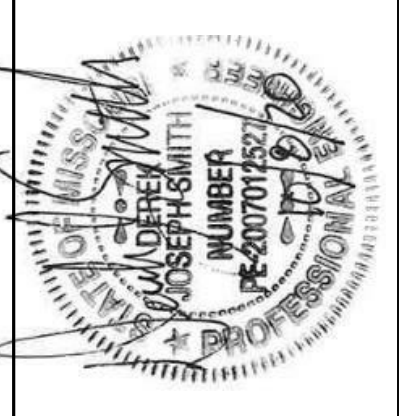
26 TYP TRENCH DRAIN & UTILITY TRENCH DETAIL
S3.2 SCALE: 1 1/2" = 1'-0"



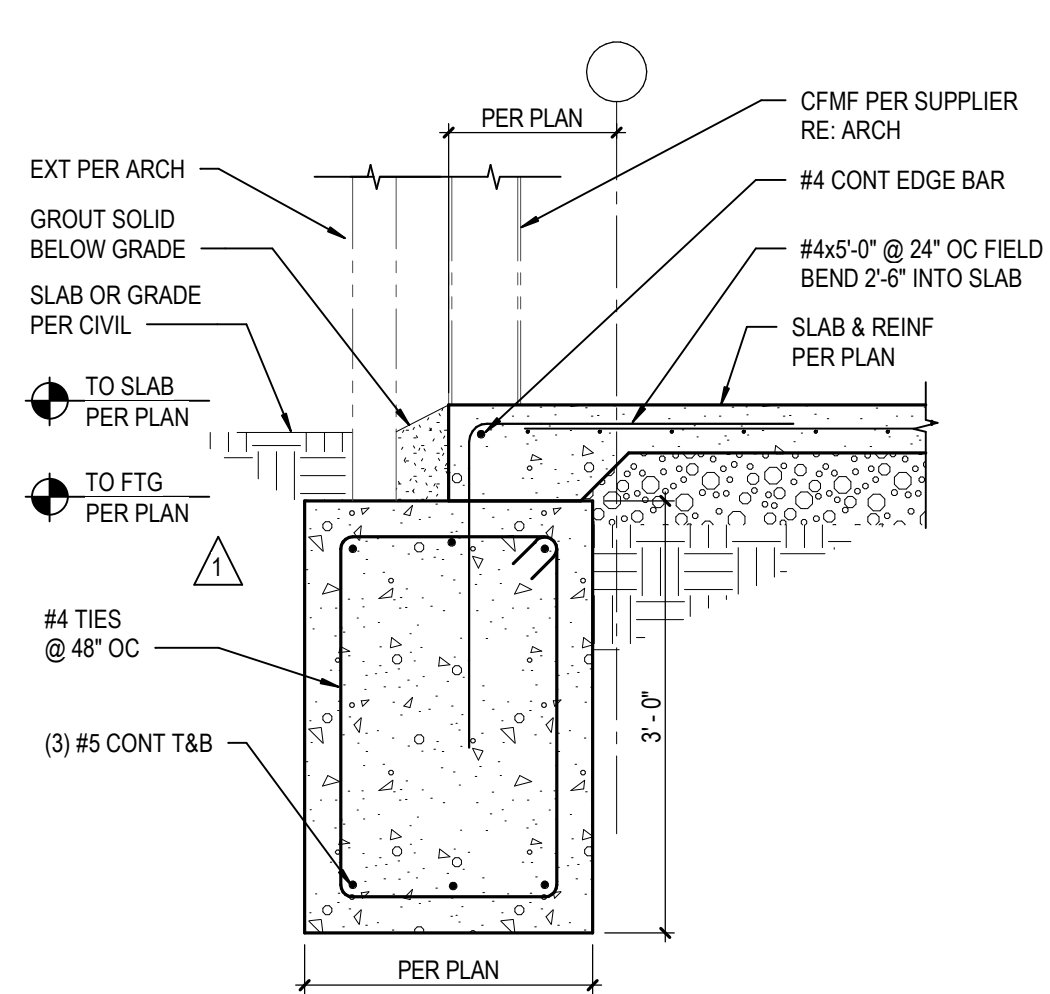
35 TYP PARTIAL HEIGHT WALL SUPPORT DETAIL
S3.2 SCALE: 3/4" = 1'-0"



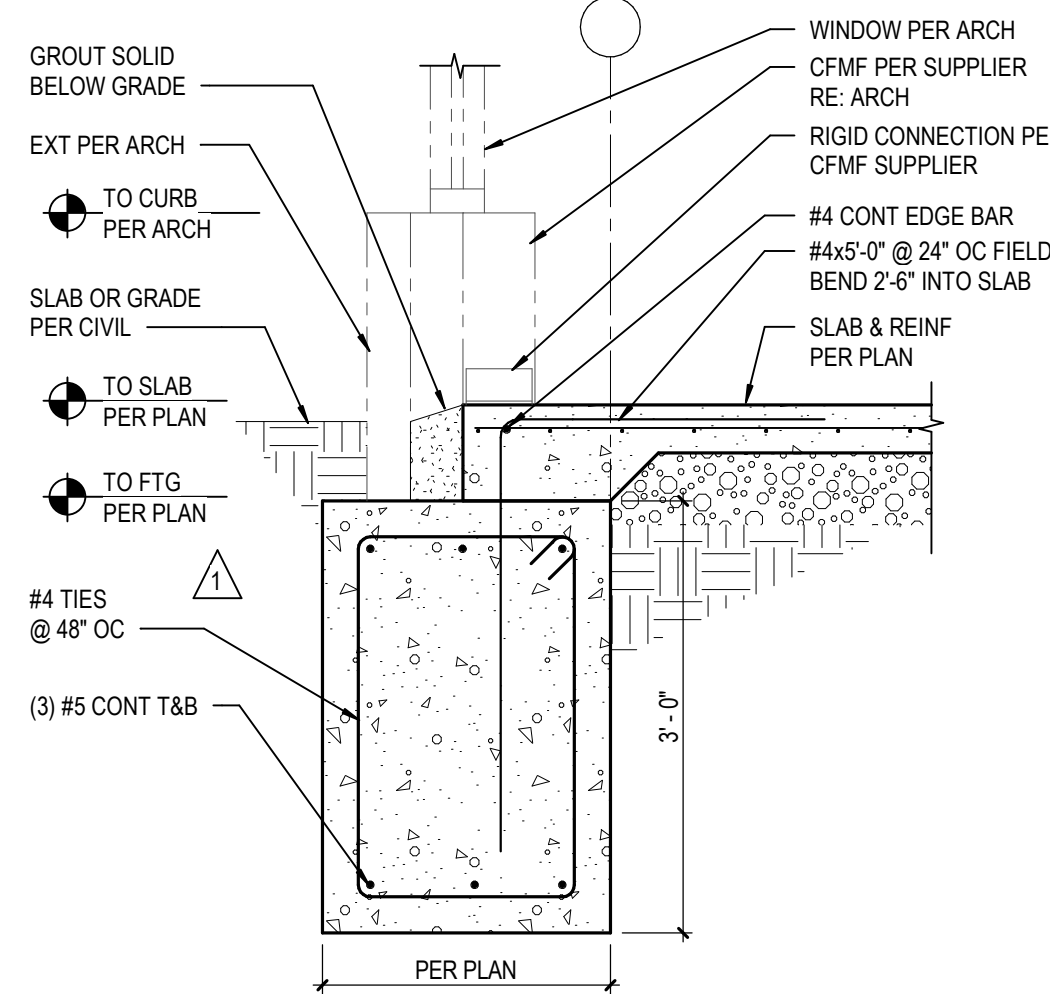
55 TYP ELEVATOR PIT DETAIL
S3.2 SCALE: 1/2" = 1'-0"



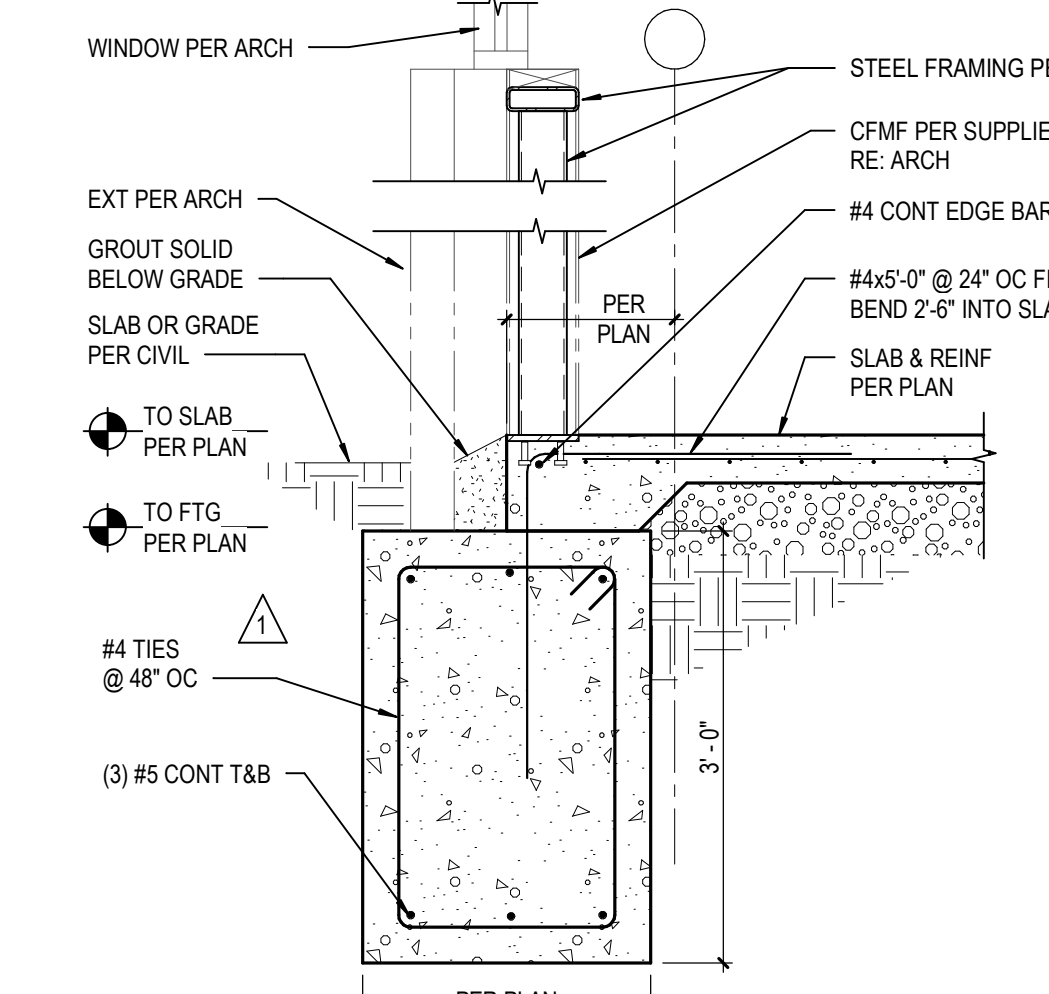
B:\1320\13-20102-00\Lee's Summit Middle School #4\13-20102-00_Lee's Summit Middle School #4_S3_2020.rvt
10/19/2020 11:14:33 AM



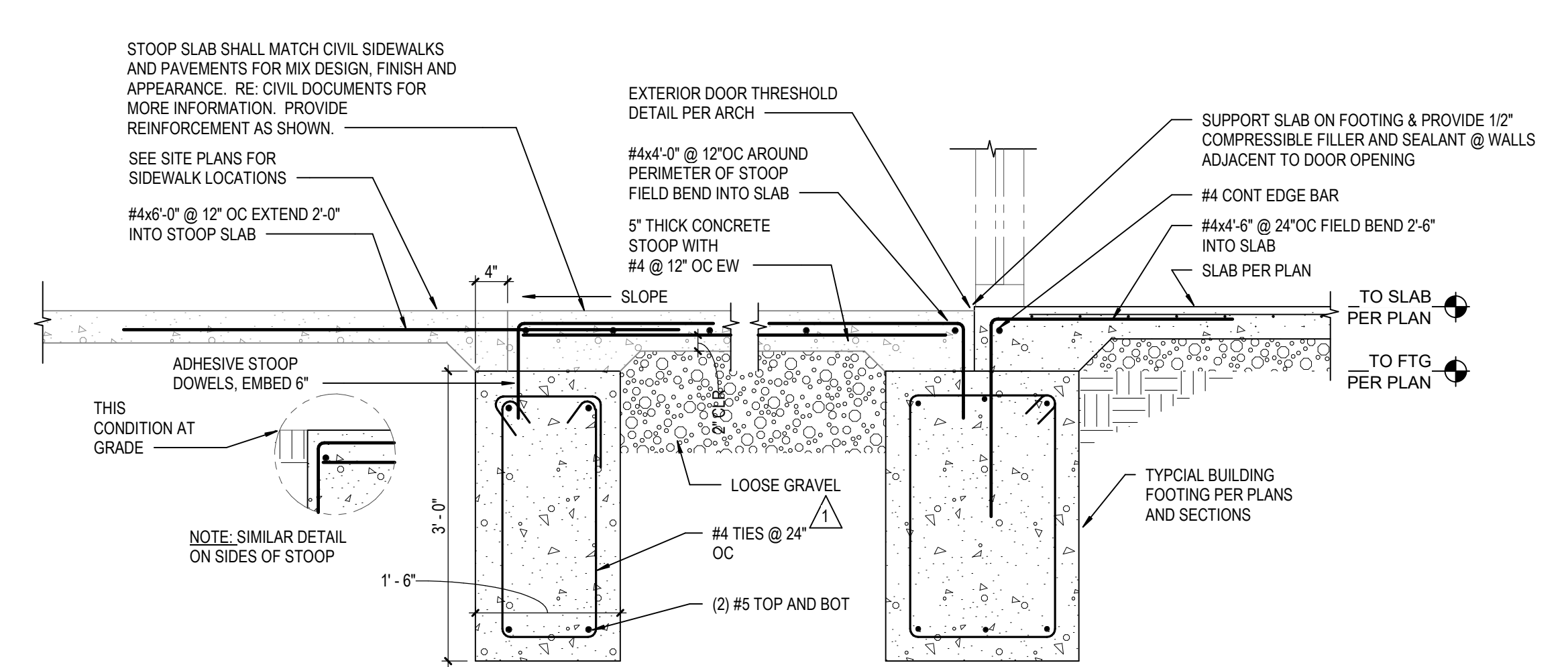
11 SECTION
S3.5 SCALE: 3/4" = 1'-0"



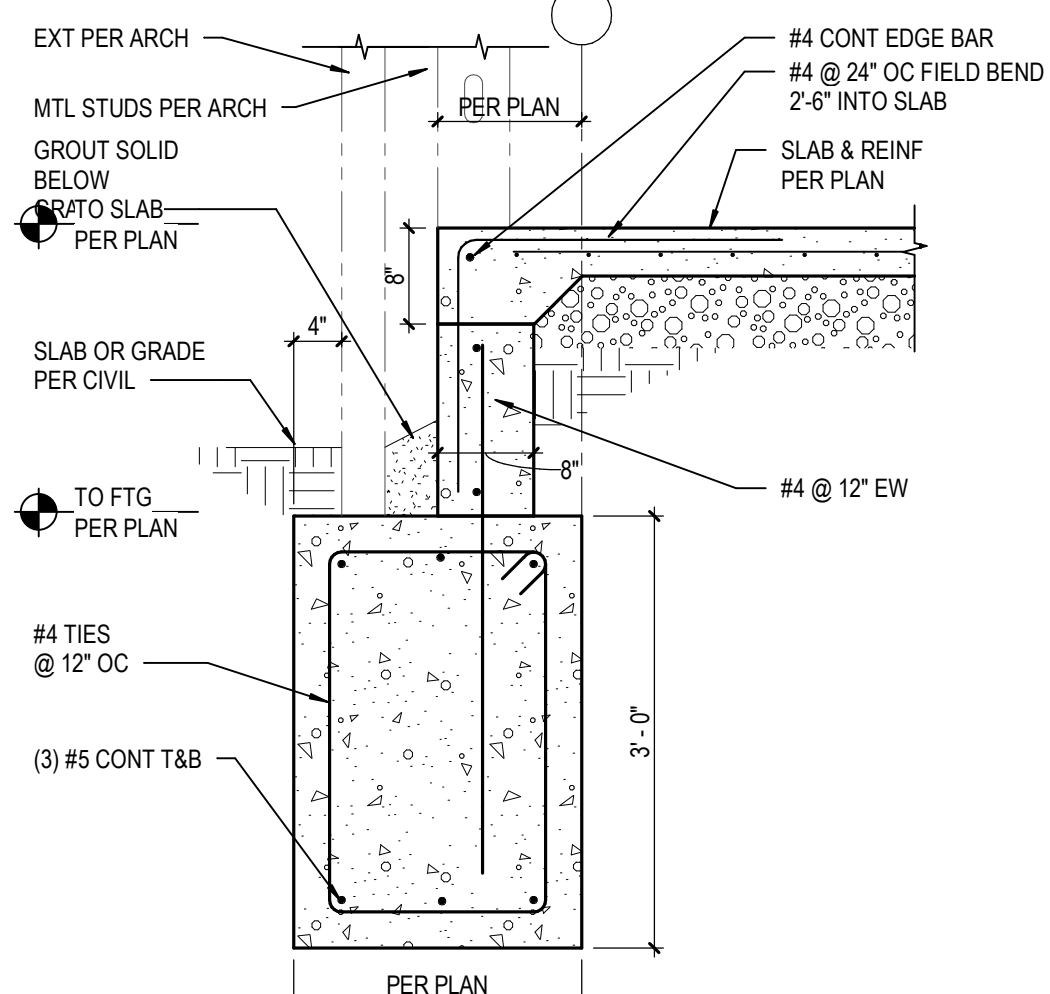
12 SECTION
S3.5 SCALE: 3/4" = 1'-0"



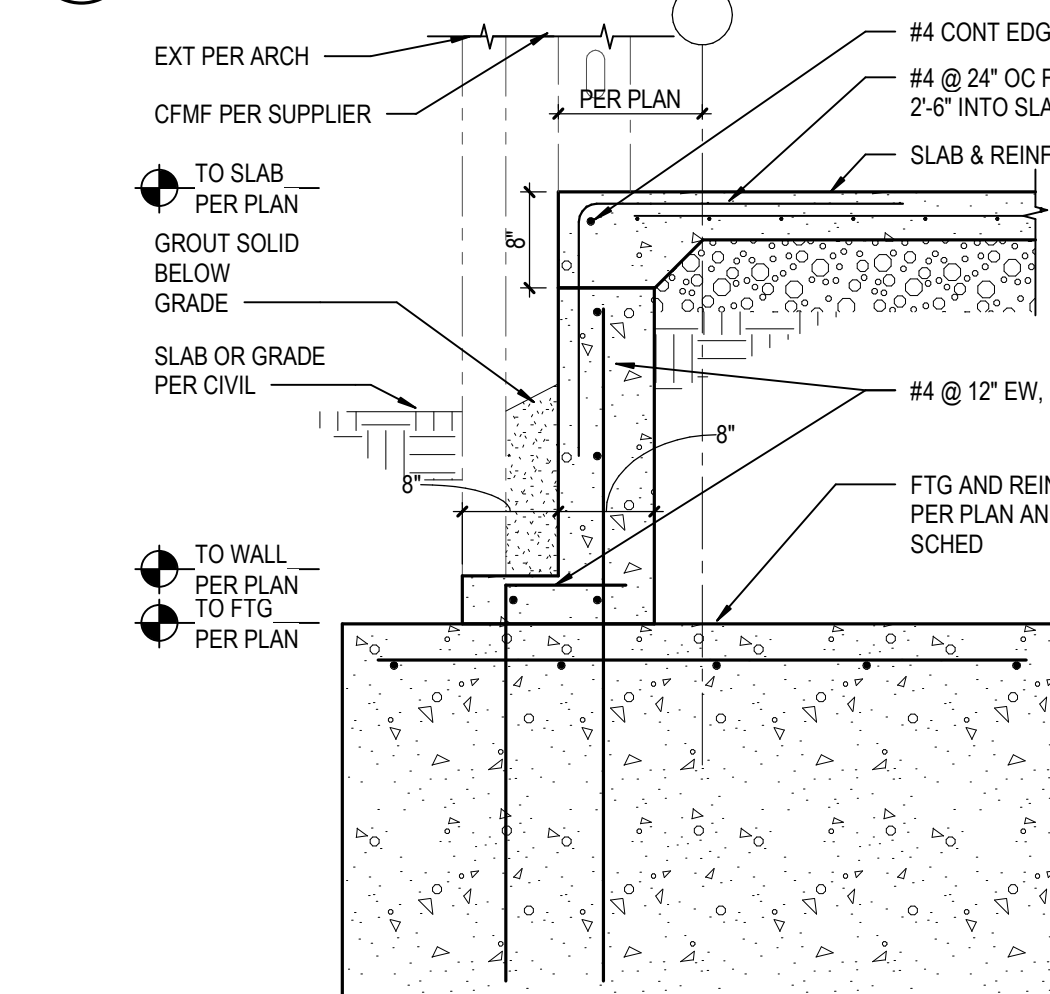
13 SECTION
S3.5 SCALE: 3/4" = 1'-0"



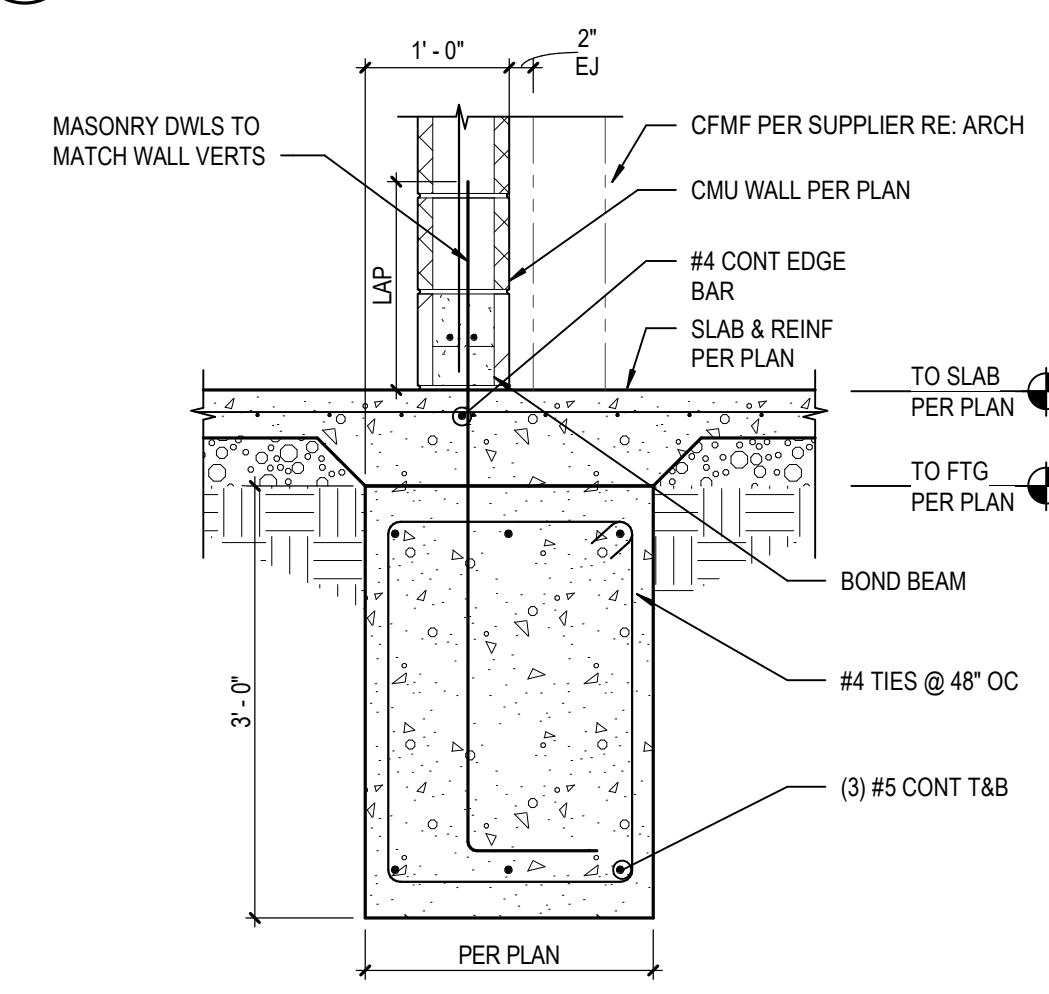
14 SECTION
S3.5 SCALE: 3/4" = 1'-0"



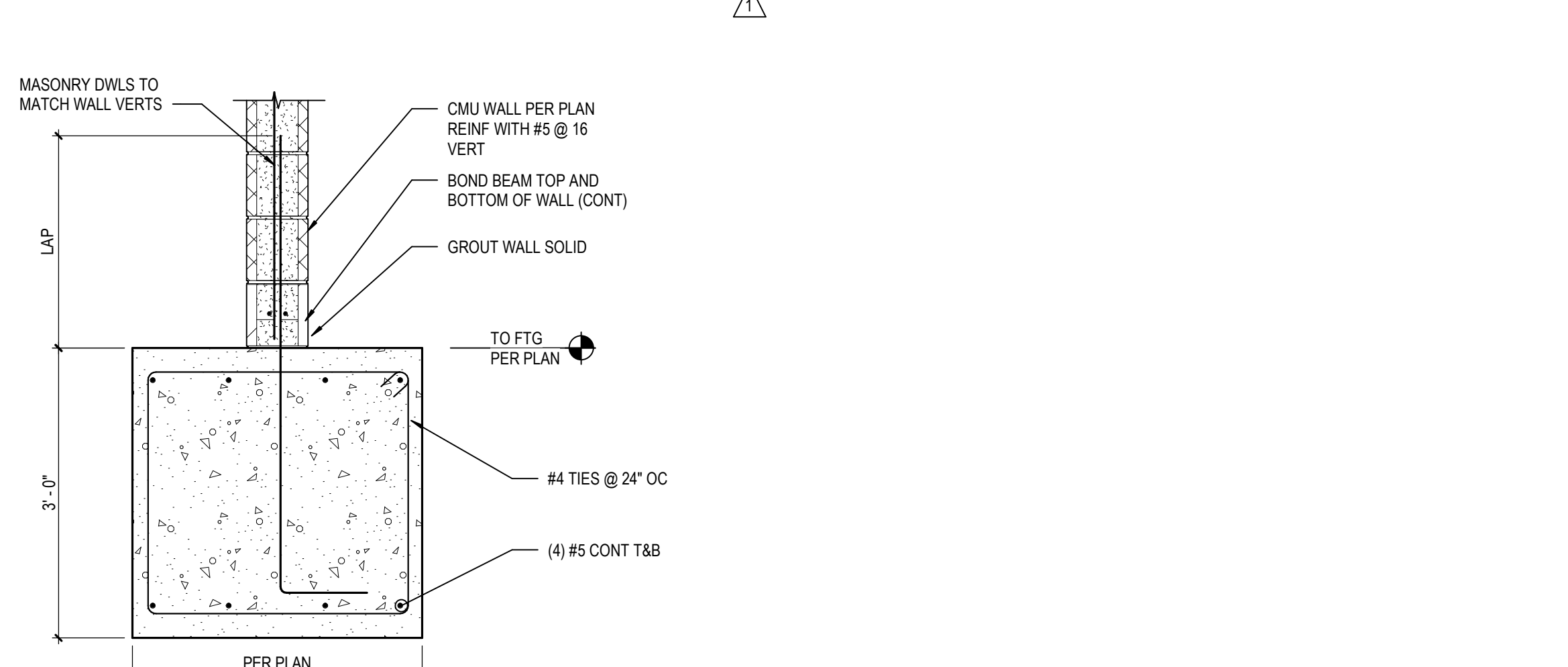
21 SECTION
S3.5 SCALE: 3/4" = 1'-0"



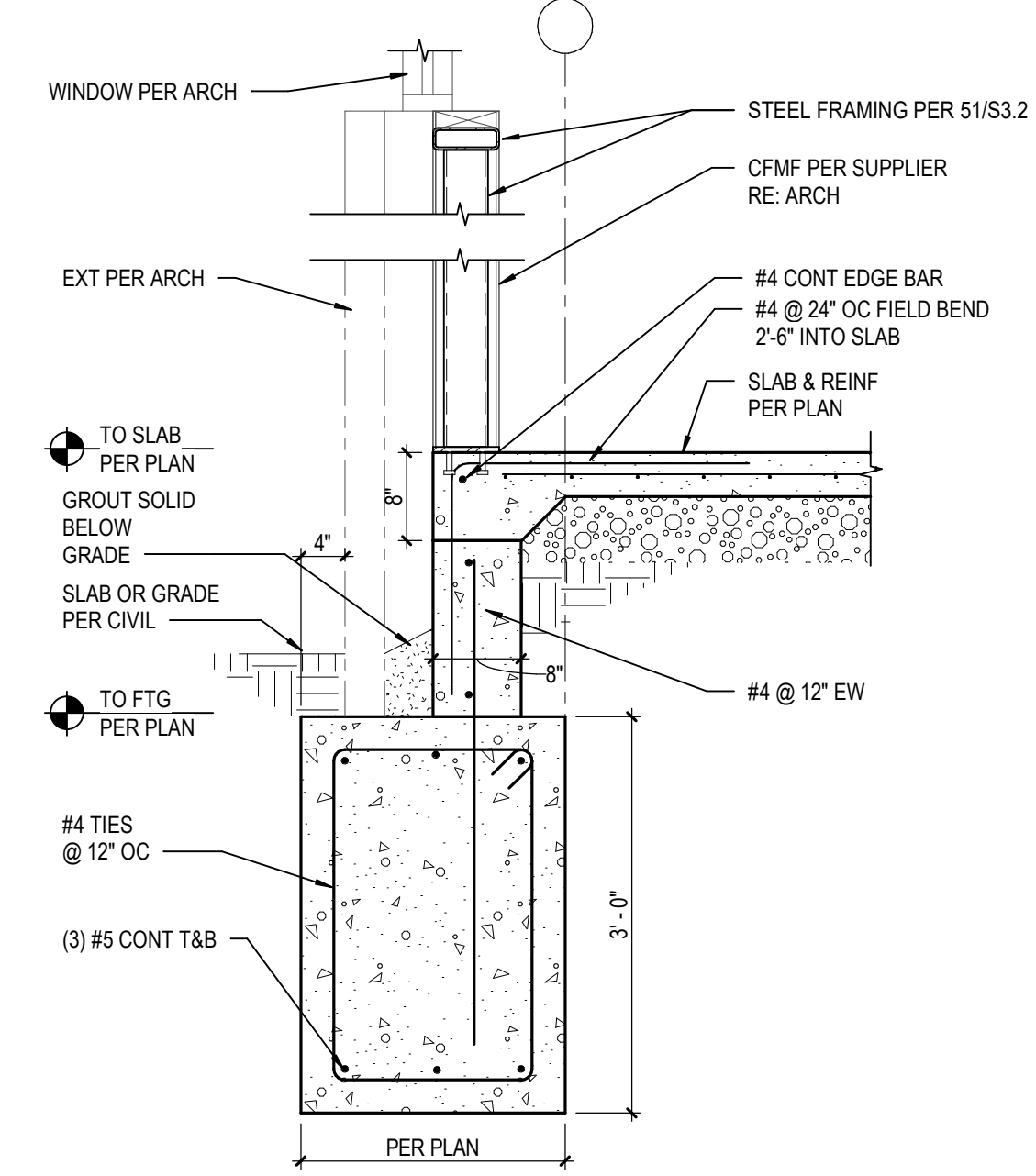
22 SECTION
S3.5 SCALE: 3/4" = 1'-0"



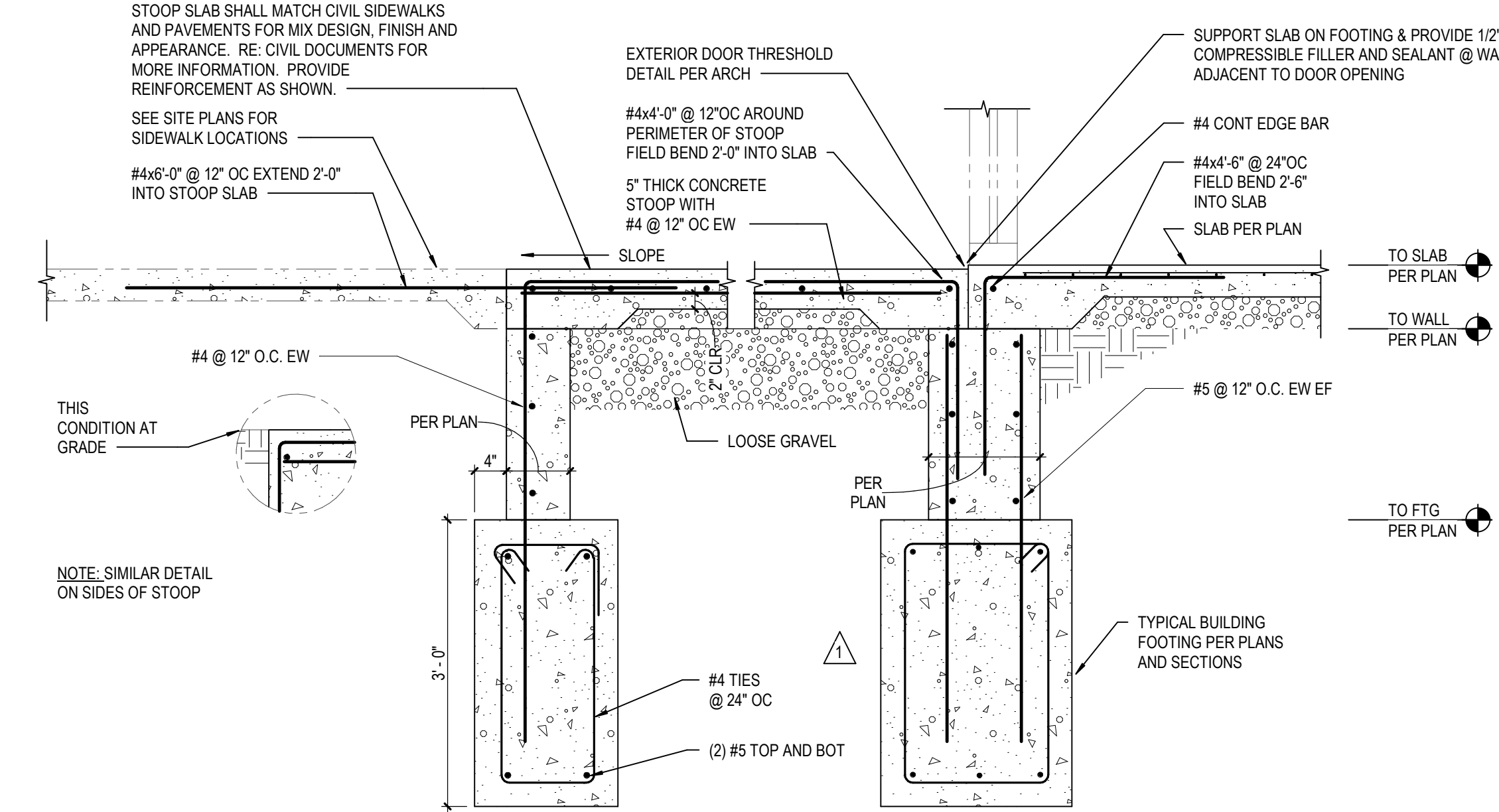
23 SECTION
S3.5 SCALE: 3/4" = 1'-0"



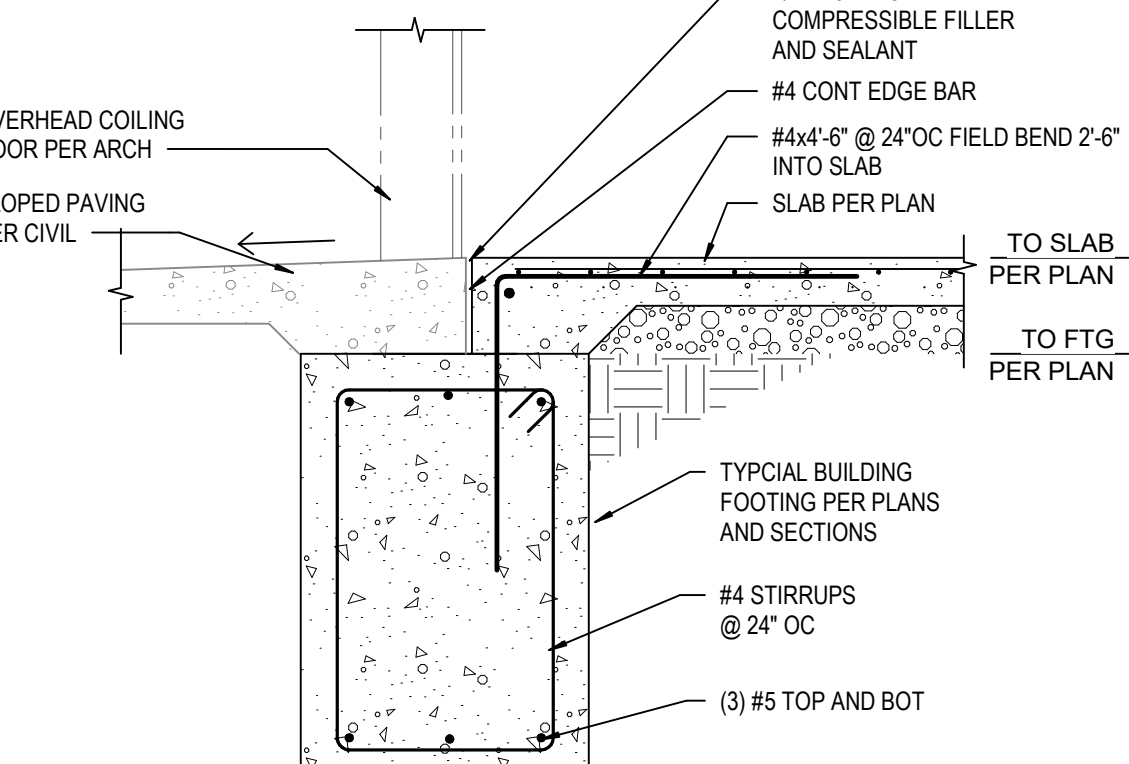
24 SECTION
S3.5 SCALE: 3/4" = 1'-0"



26 SECTION
S3.5 SCALE: 3/4" = 1'-0"



41 SECTION
S3.5 SCALE: 3/4" = 1'-0"

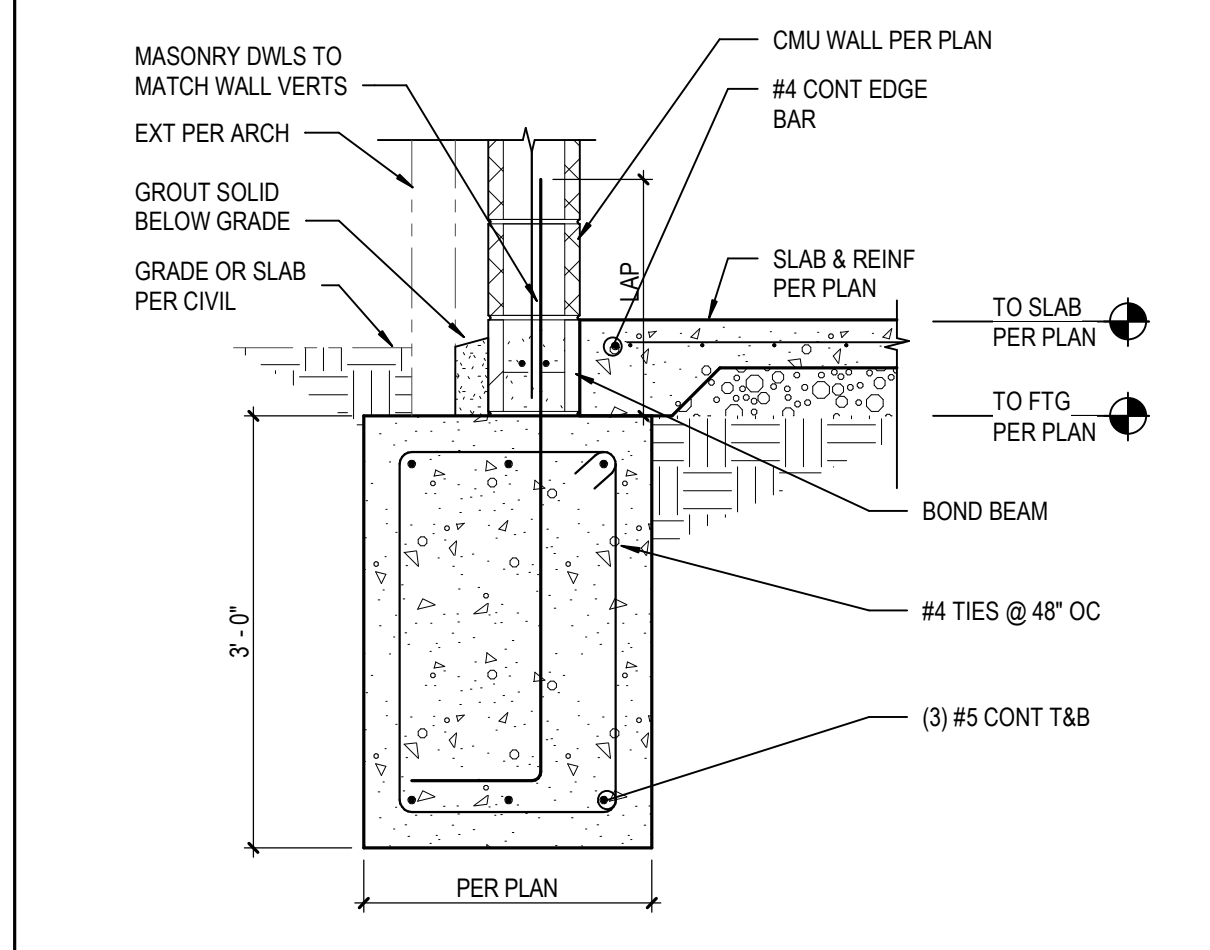


38 SECTION
S3.5 SCALE: 3/4" = 1'-0"

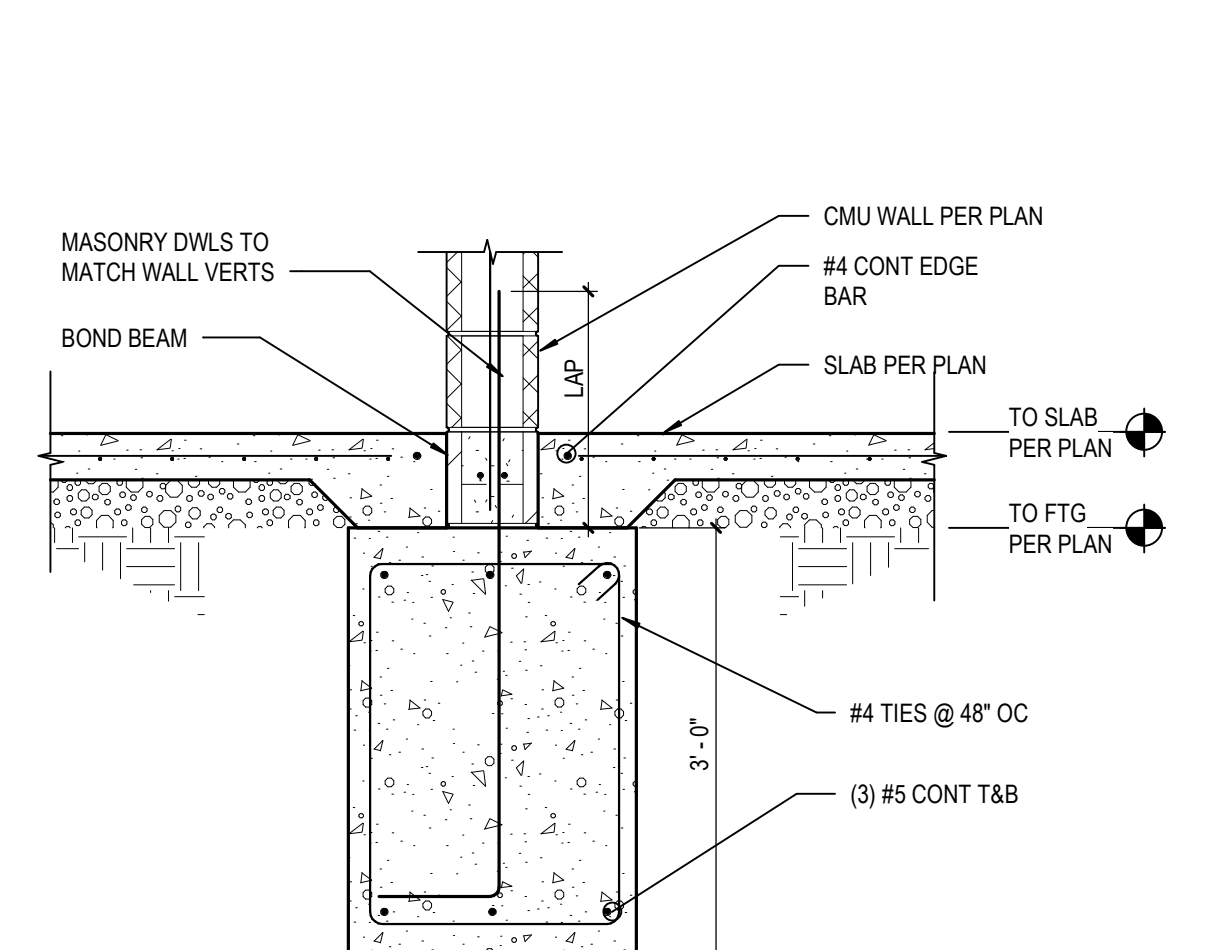


B:\13-20102-00\Lee's Summit Middle School 4/15/20/102-00_Lee's Summit Middle School_4_S3_2020.rvt
 10/7/2020 4:37:07 PM

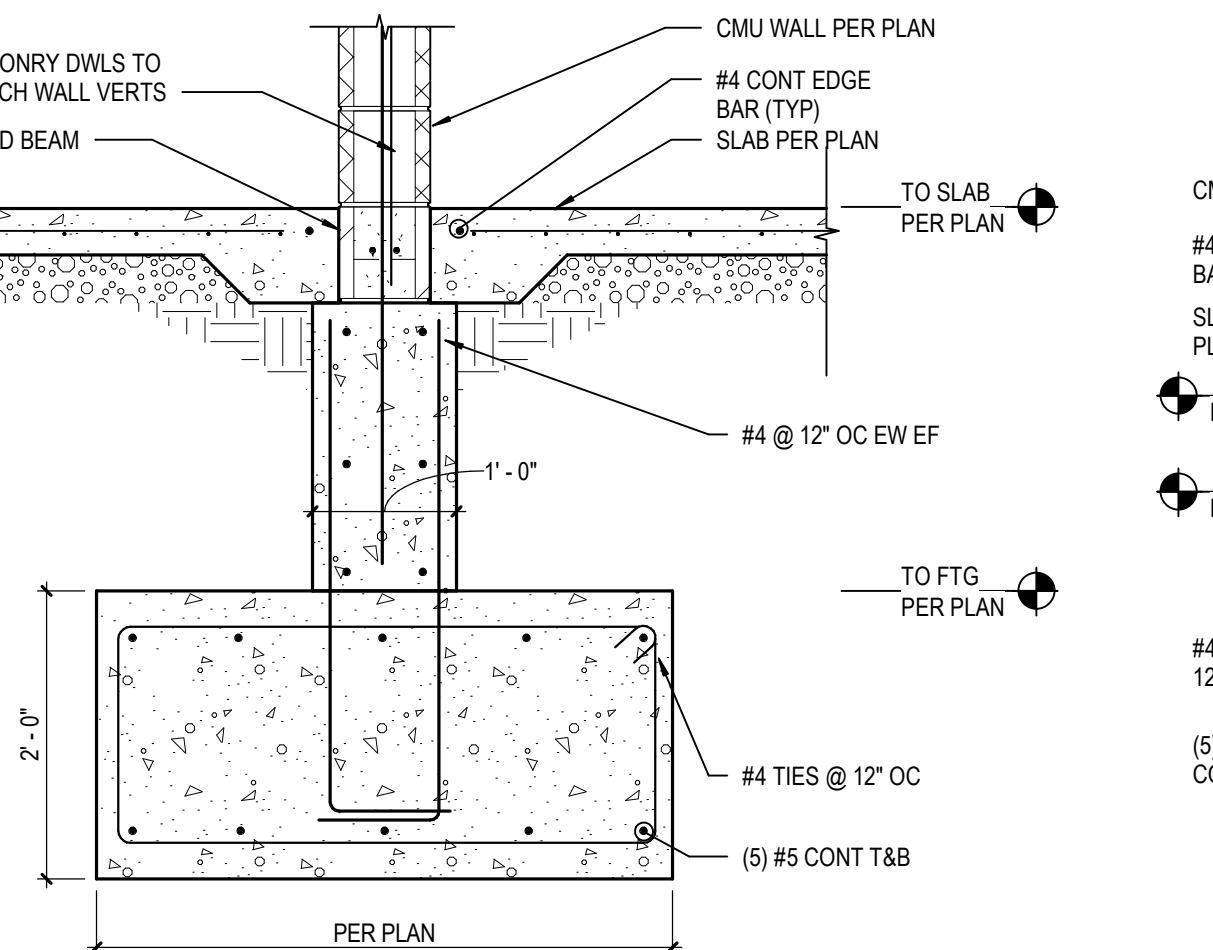
10/7/2020 4:37:21 PM B:\360\13-20102-00\Lee's Summit Middle School 4\13-20102-00_Lee's Summit Middle School_4_S1_2020.rvt



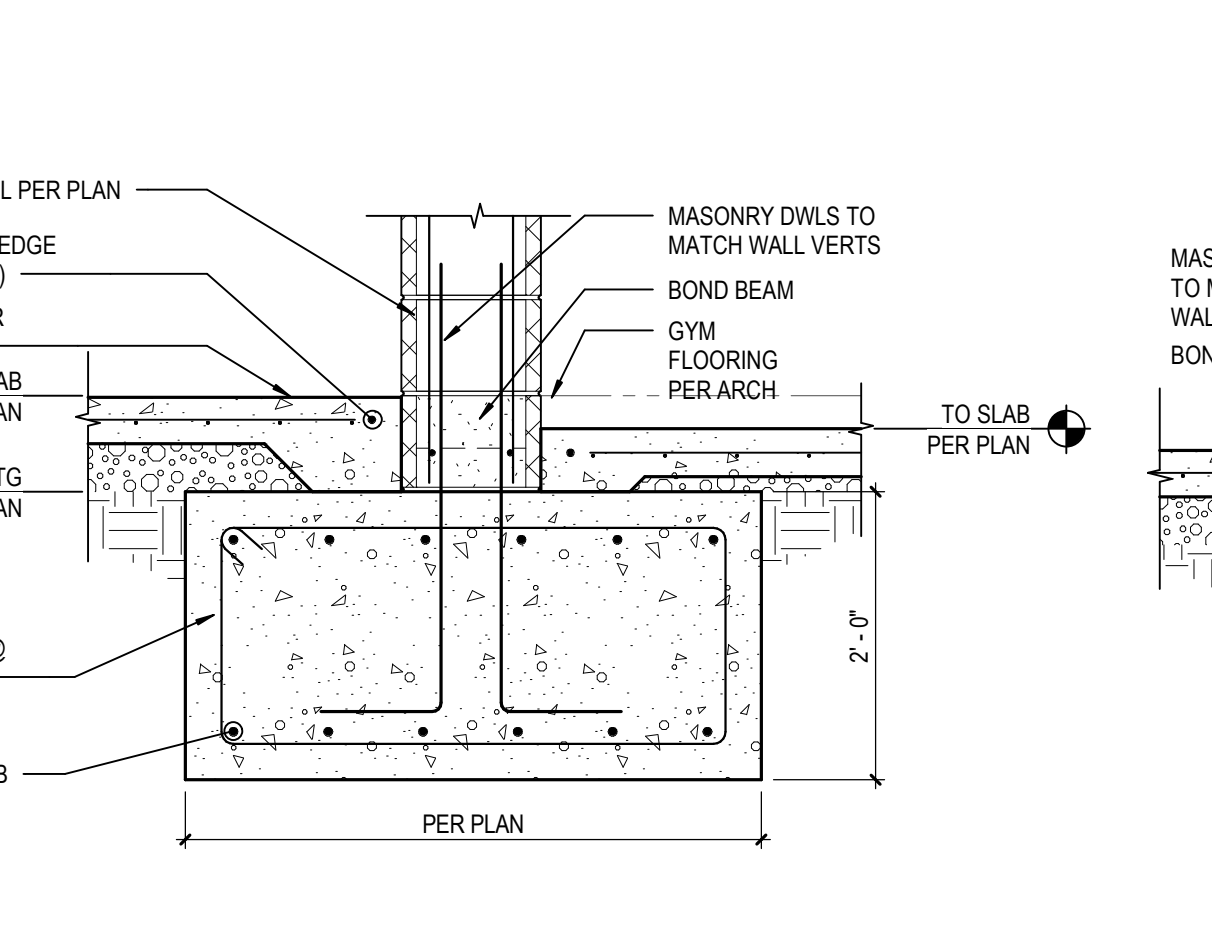
11 SECTION S3.7 SCALE: 3/4" = 1'-0"



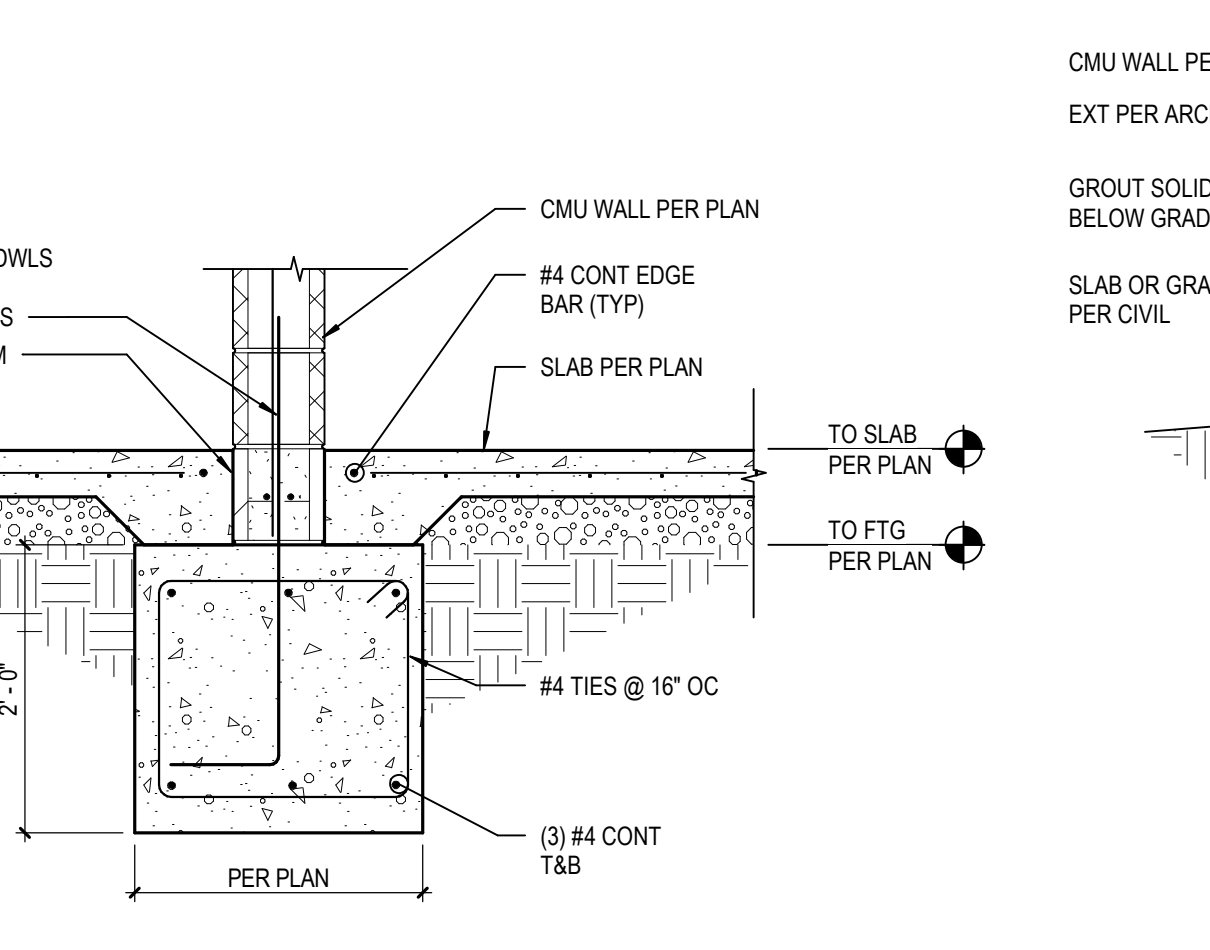
12 SECTION S3.7 SCALE: 3/4" = 1'-0"



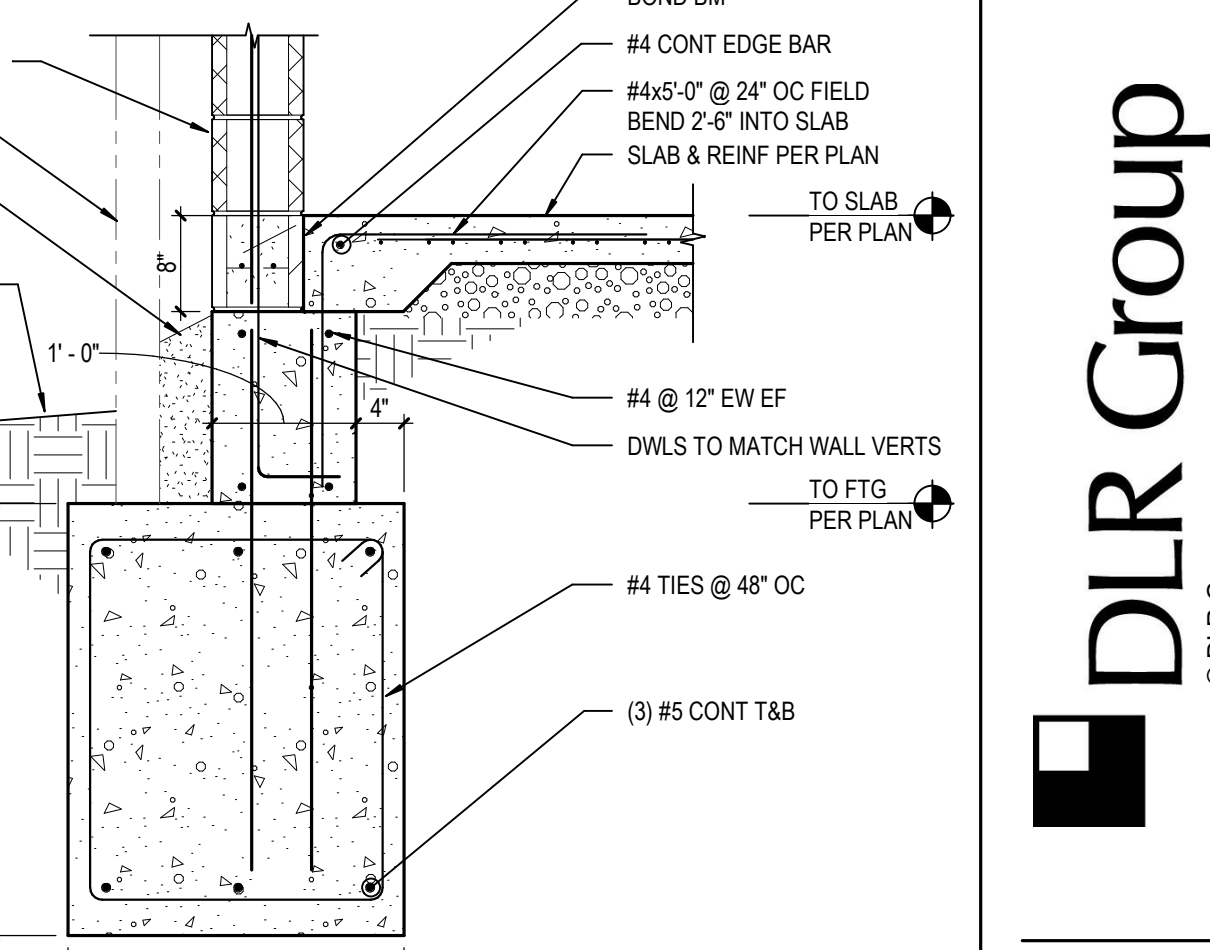
13 SECTION S3.7 SCALE: 3/4" = 1'-0"



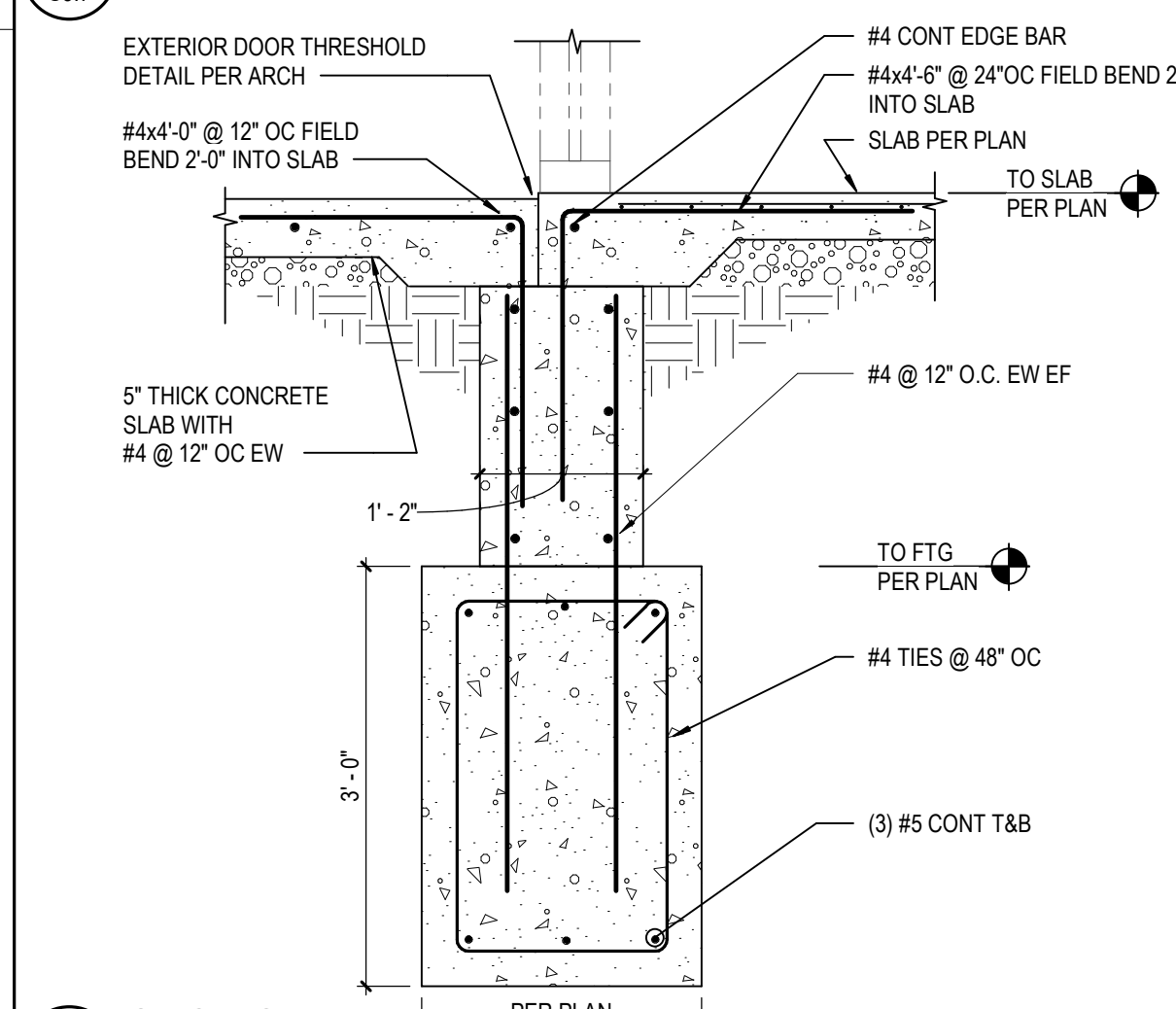
14 SECTION S3.7 SCALE: 3/4" = 1'-0"



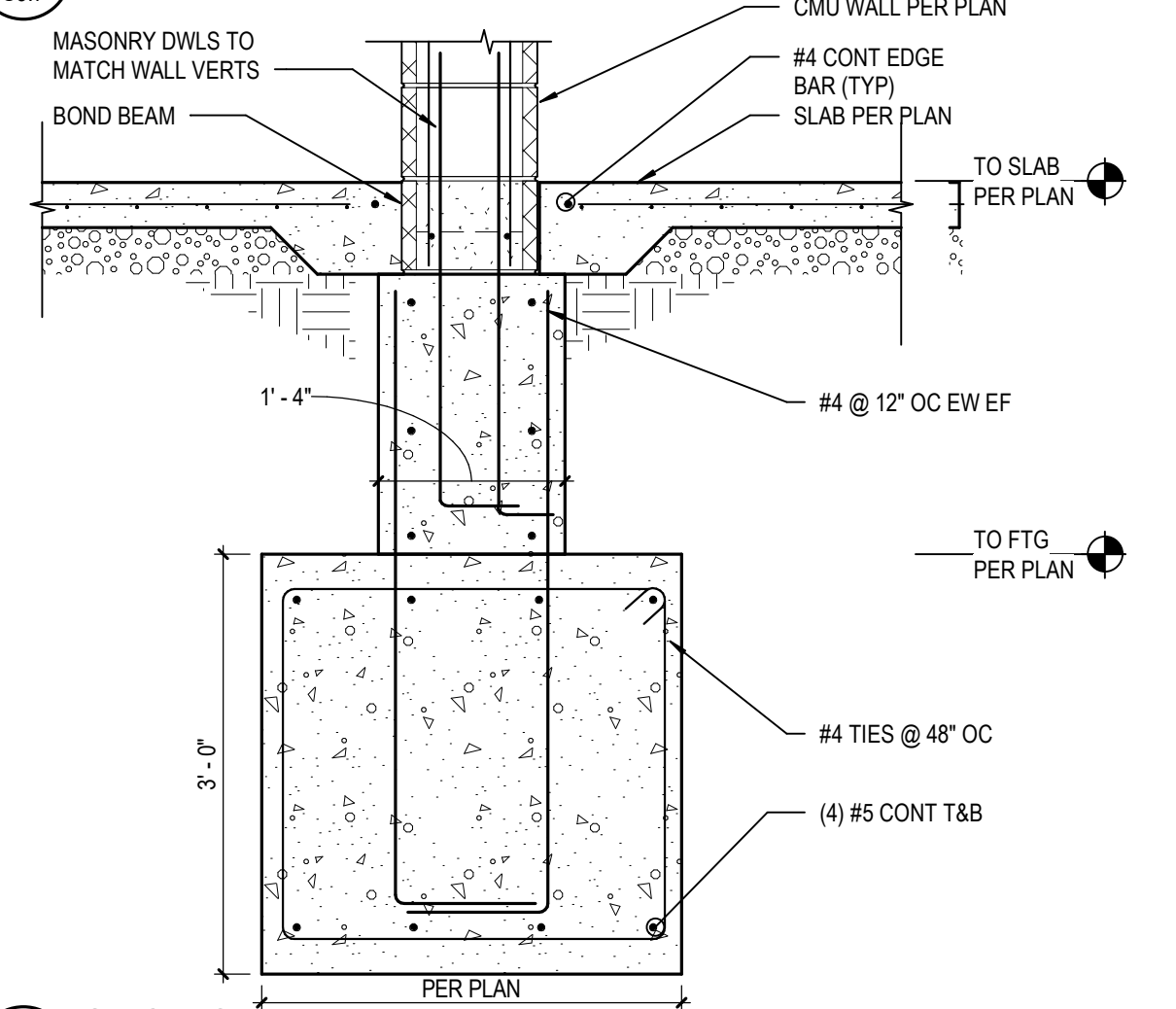
15 SECTION S3.7 SCALE: 3/4" = 1'-0"



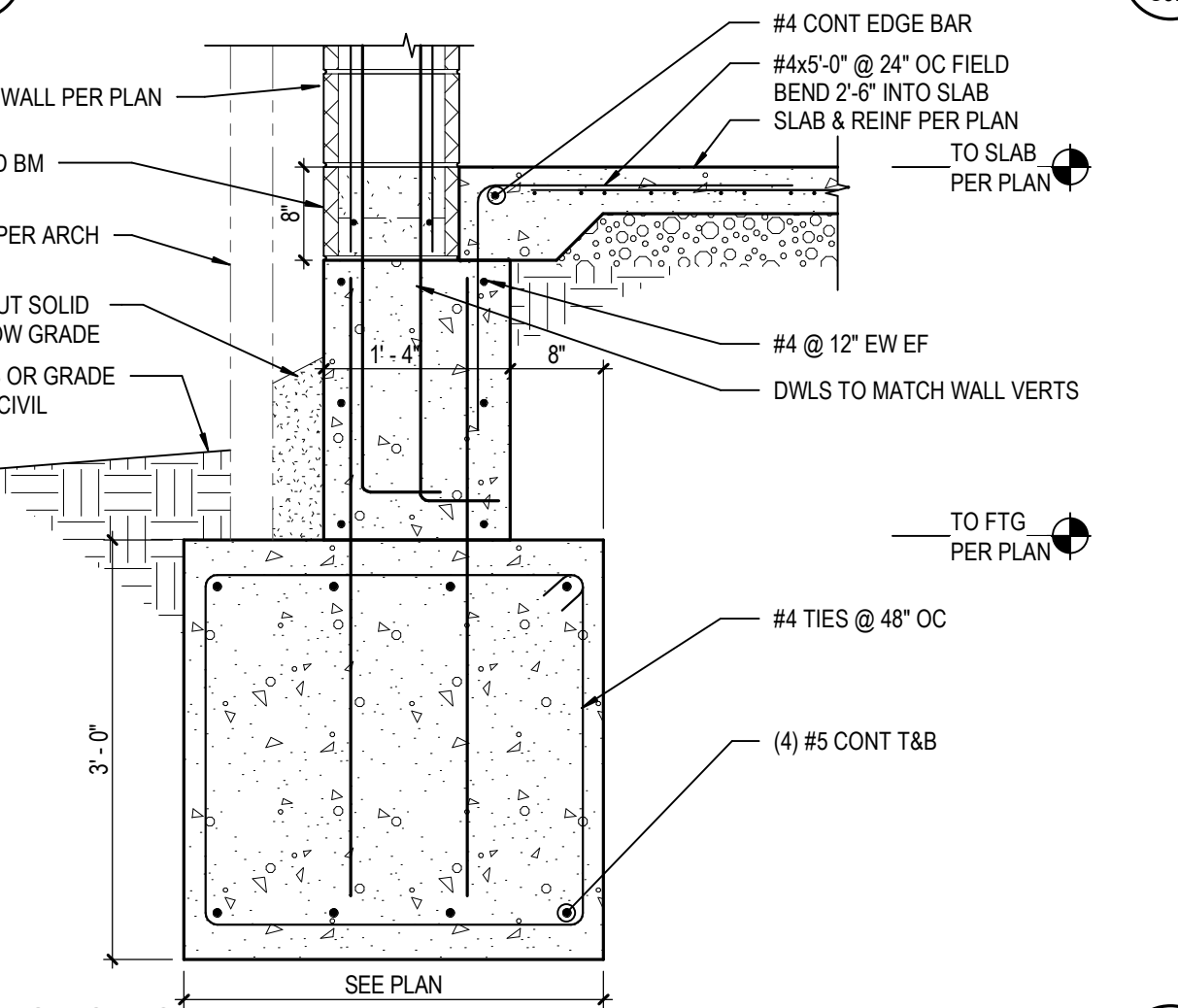
16 SECTION S3.7 SCALE: 3/4" = 1'-0"



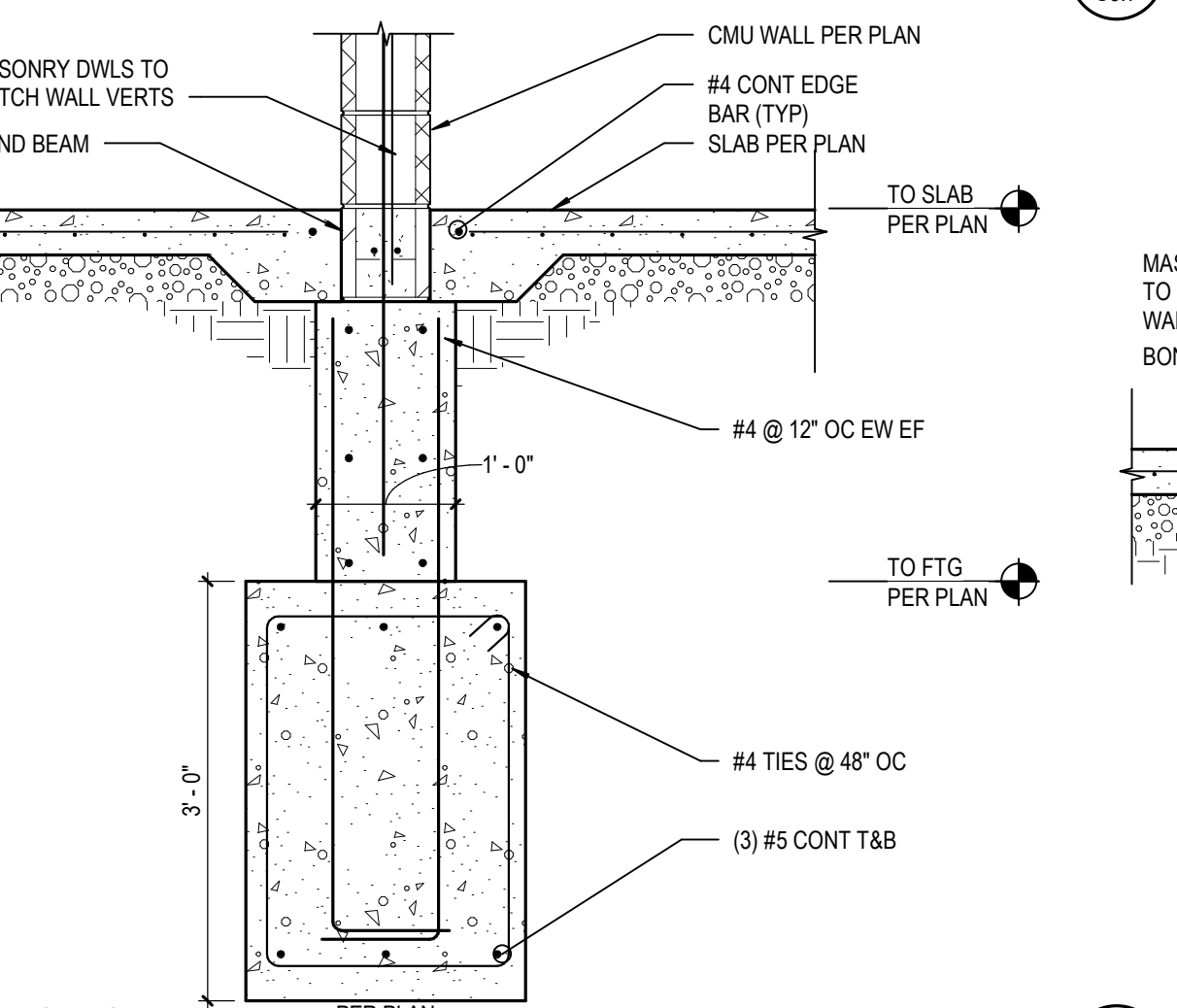
21 SECTION S3.7 SCALE: 3/4" = 1'-0"



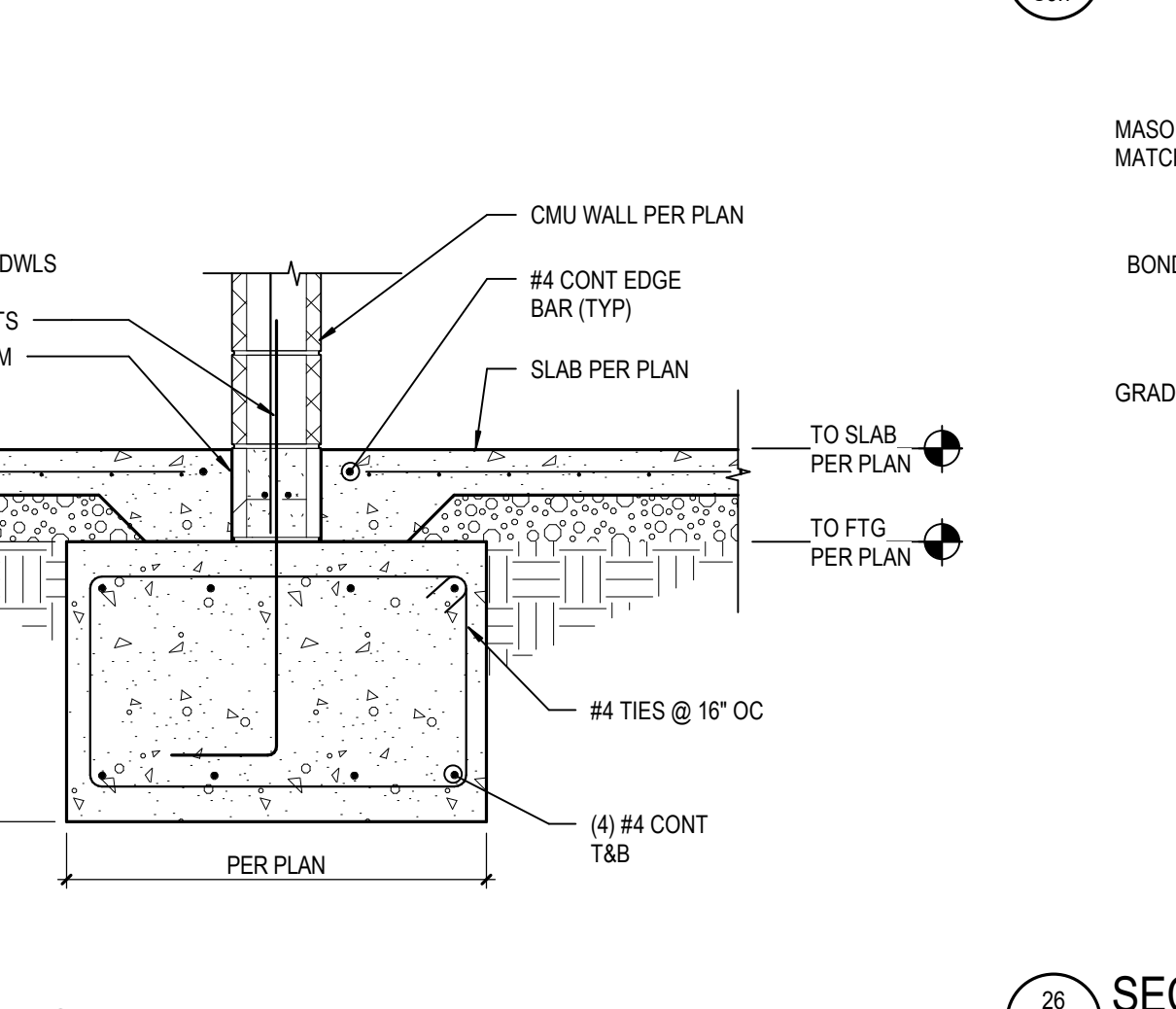
22 SECTION S3.7 SCALE: 3/4" = 1'-0"



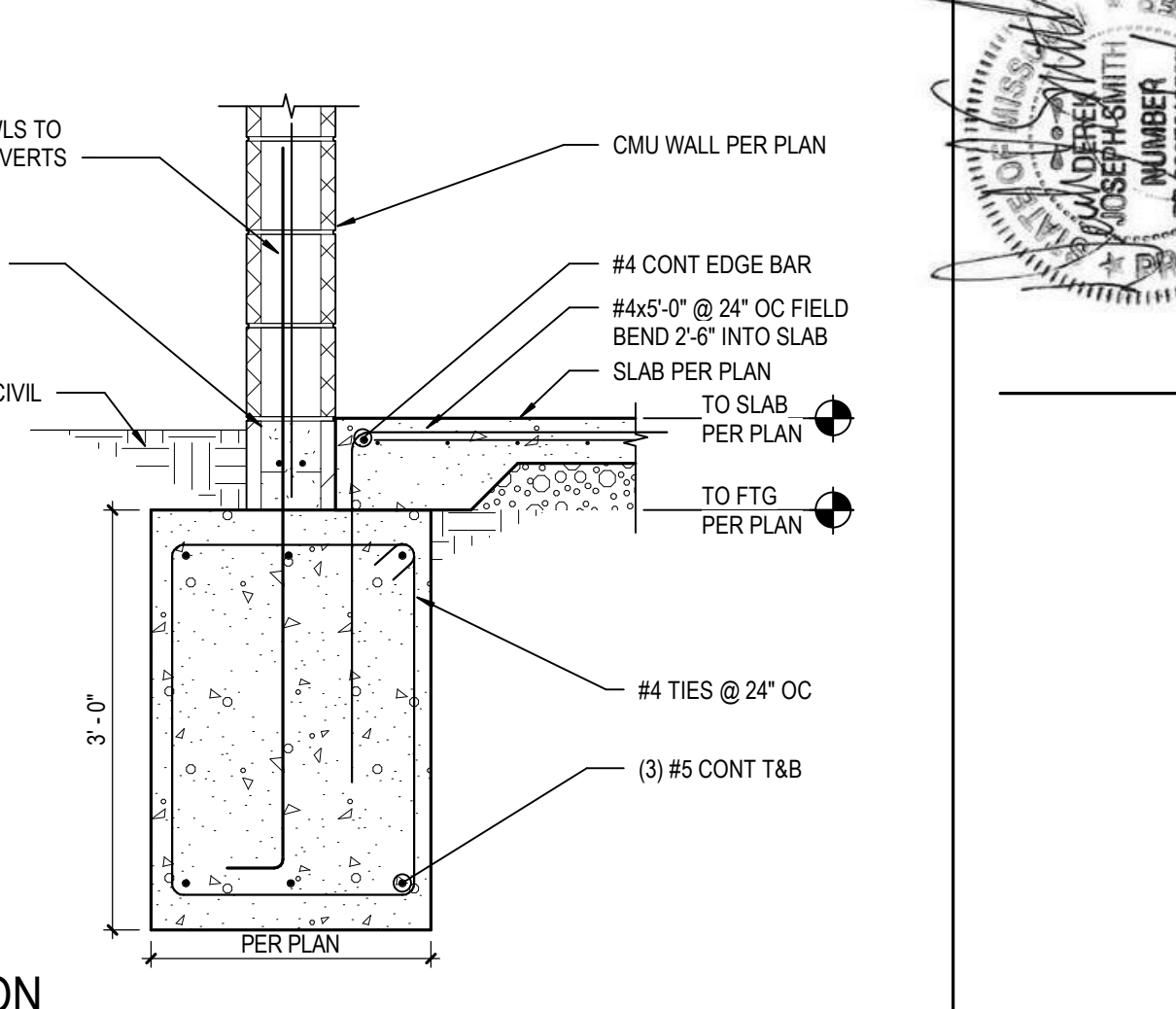
23 SECTION S3.7 SCALE: 3/4" = 1'-0"



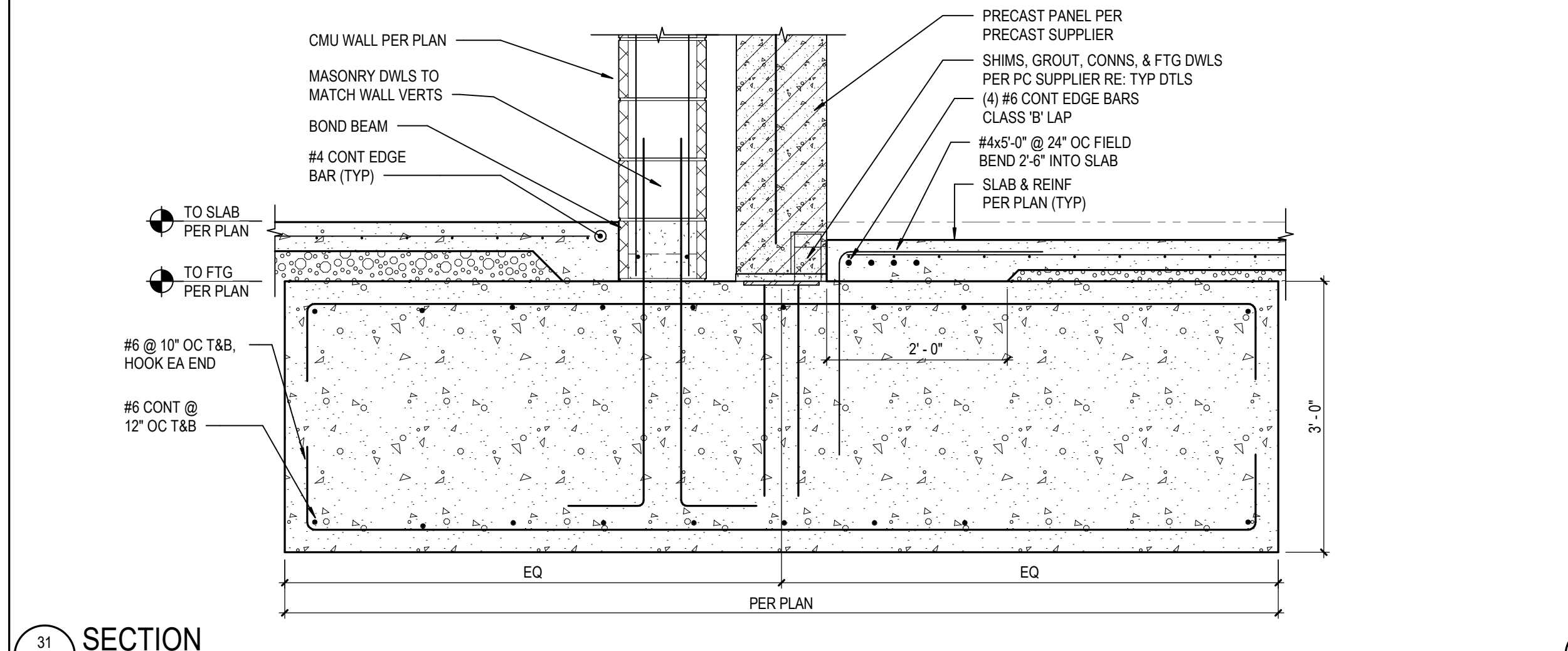
24 SECTION S3.7 SCALE: 3/4" = 1'-0"



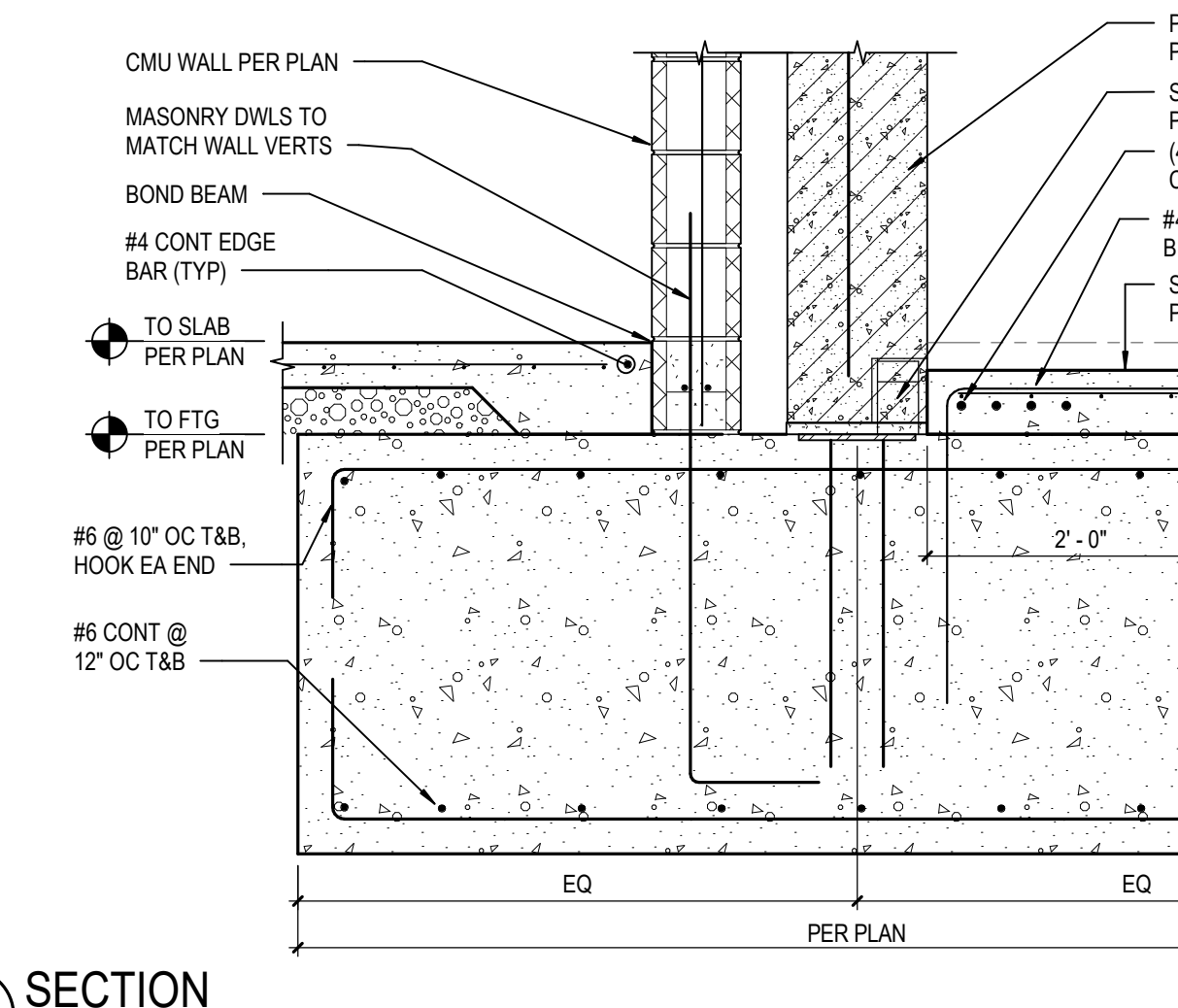
25 SECTION S3.7 SCALE: 3/4" = 1'-0"



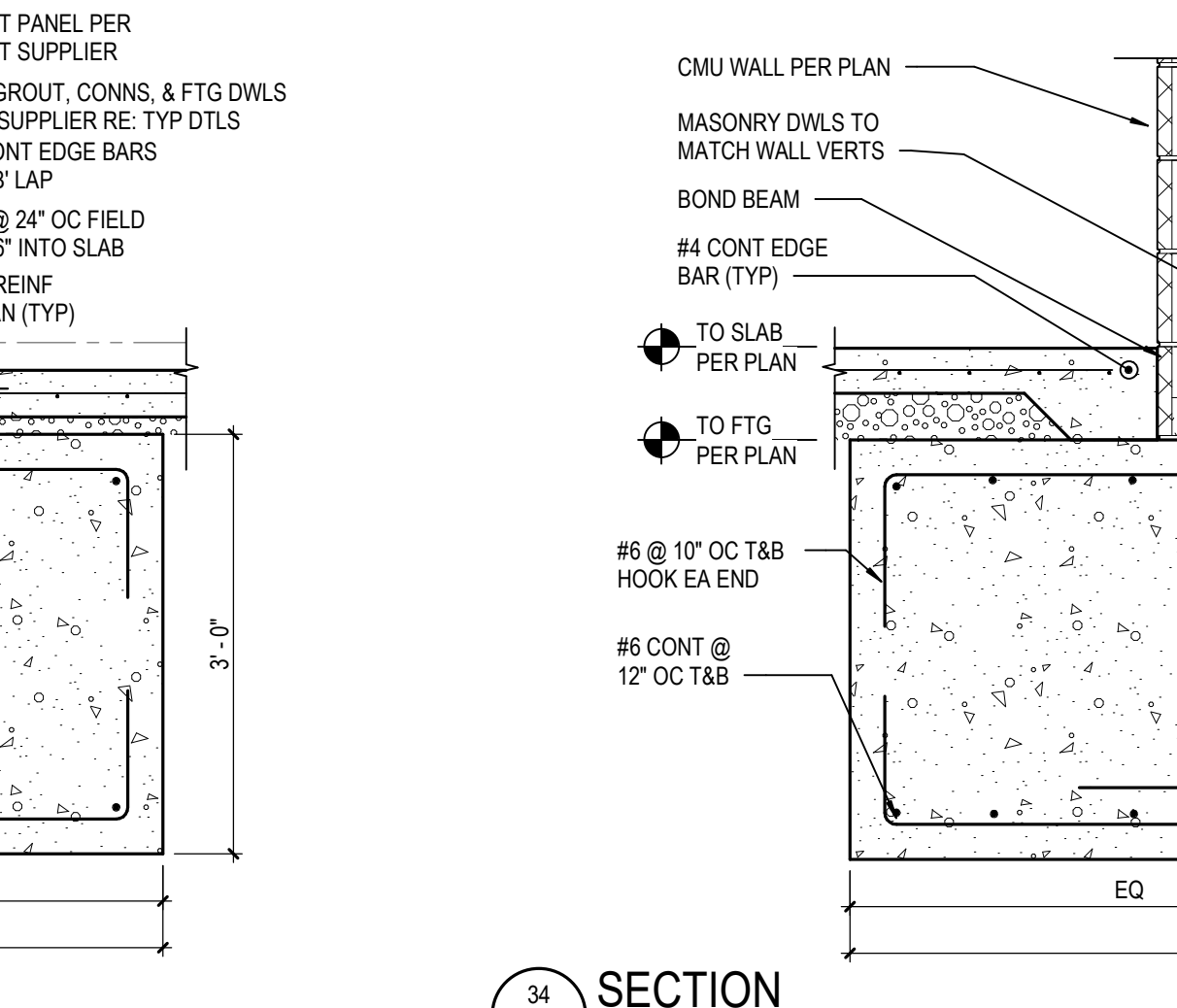
26 SECTION S3.7 SCALE: 3/4" = 1'-0"



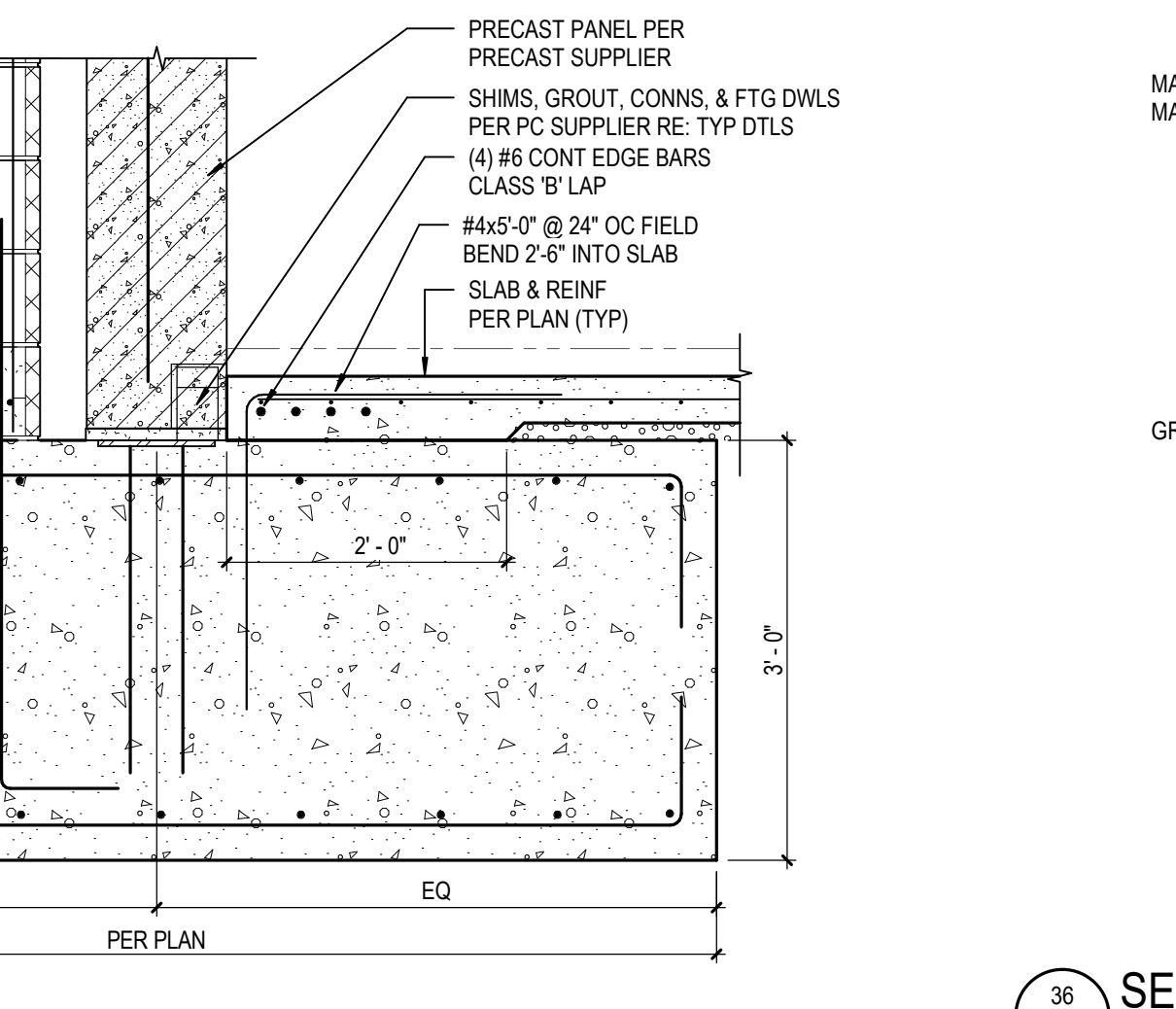
31 SECTION S3.7 SCALE: 3/4" = 1'-0"



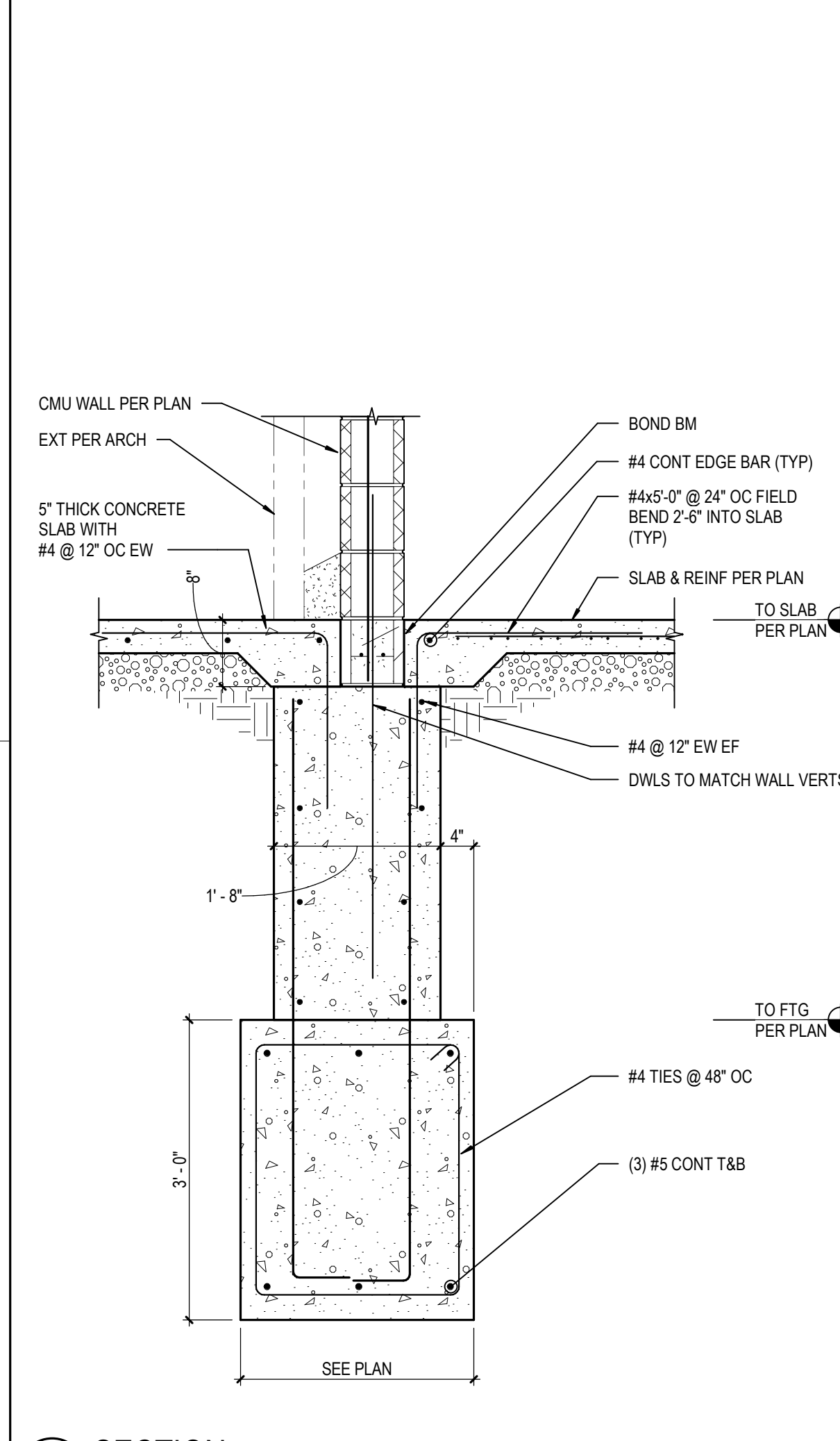
33 SECTION S3.7 SCALE: 3/4" = 1'-0"



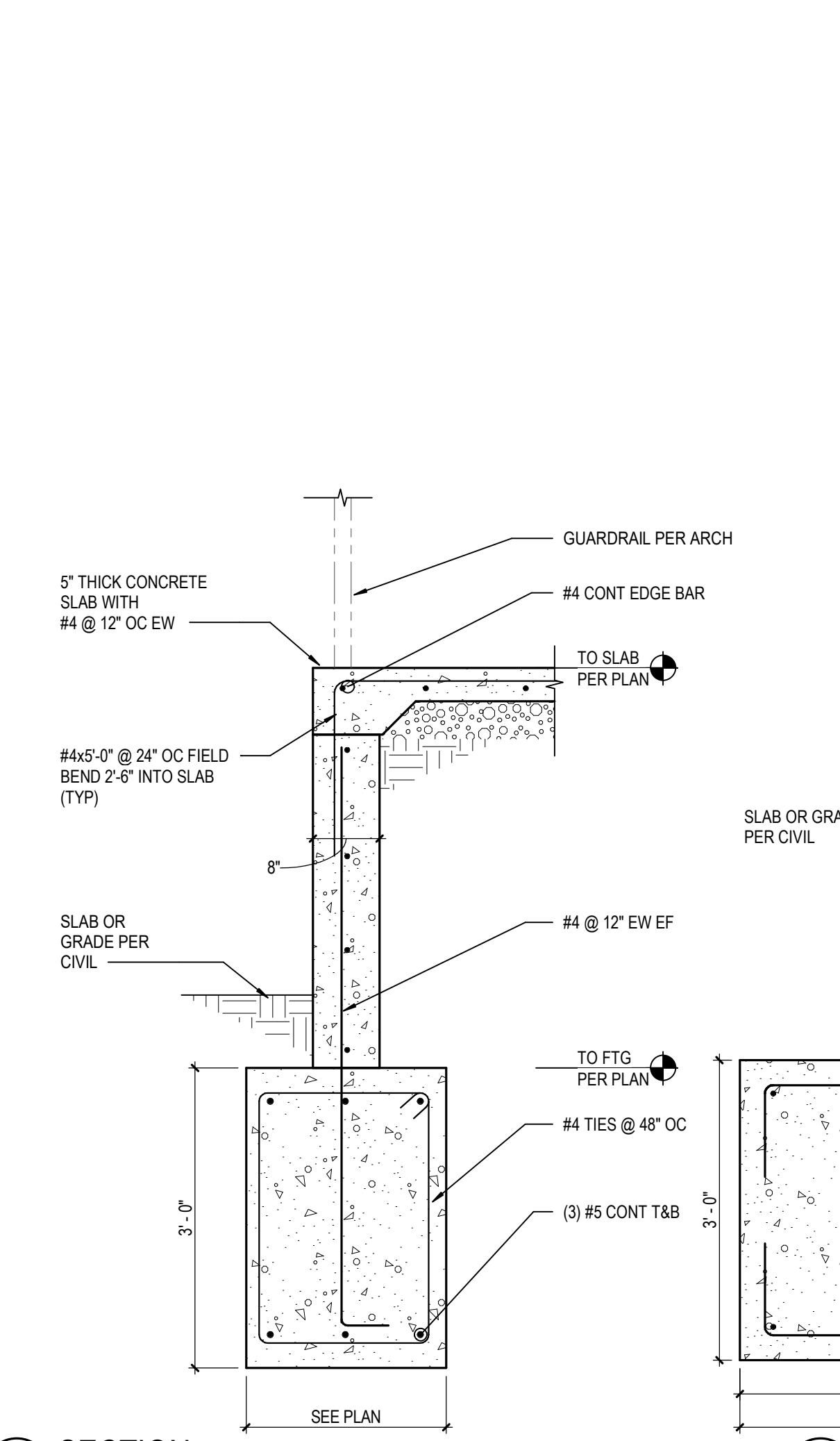
34 SECTION S3.7 SCALE: 3/4" = 1'-0"



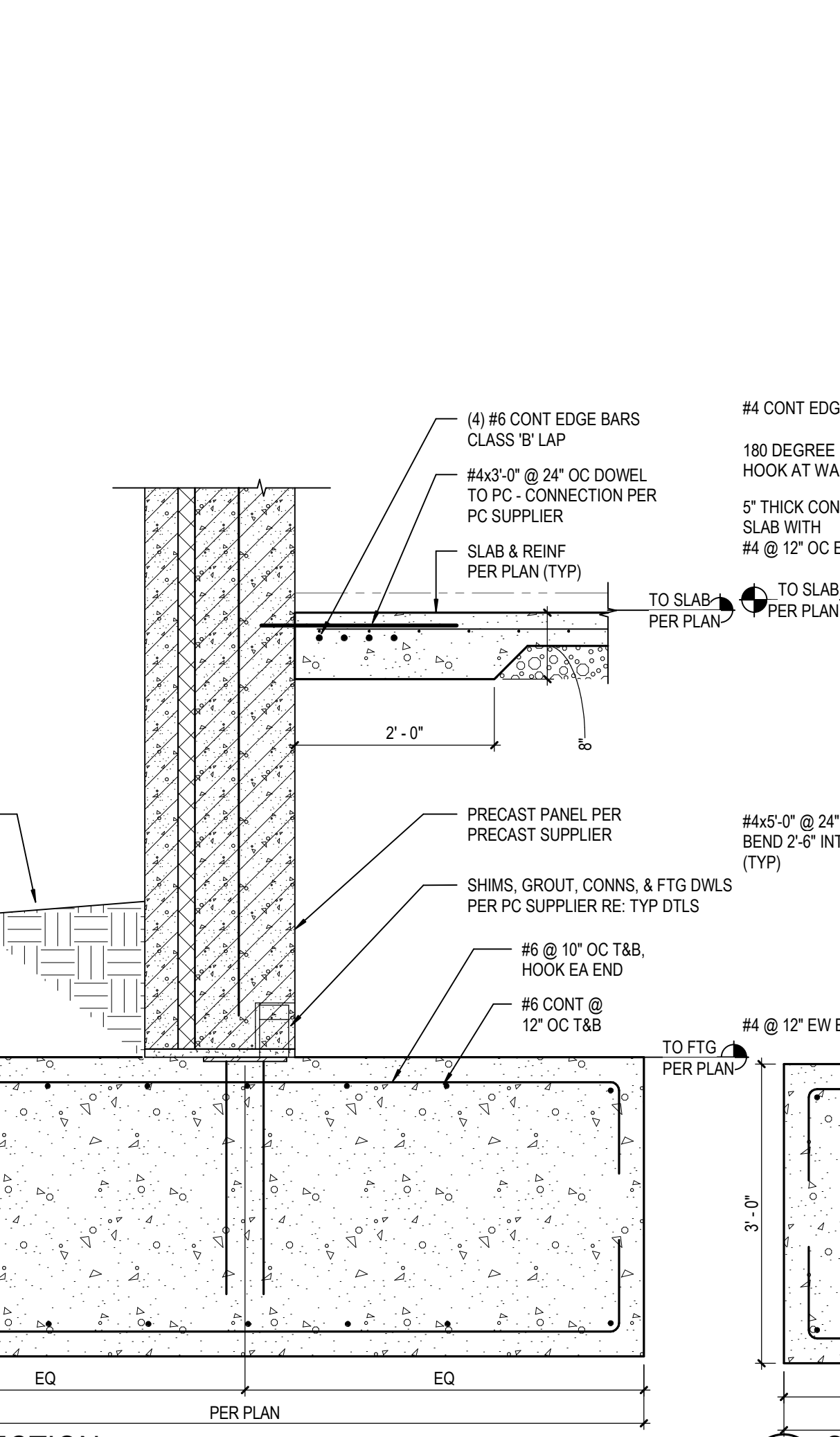
36 SECTION S3.7 SCALE: 3/4" = 1'-0"



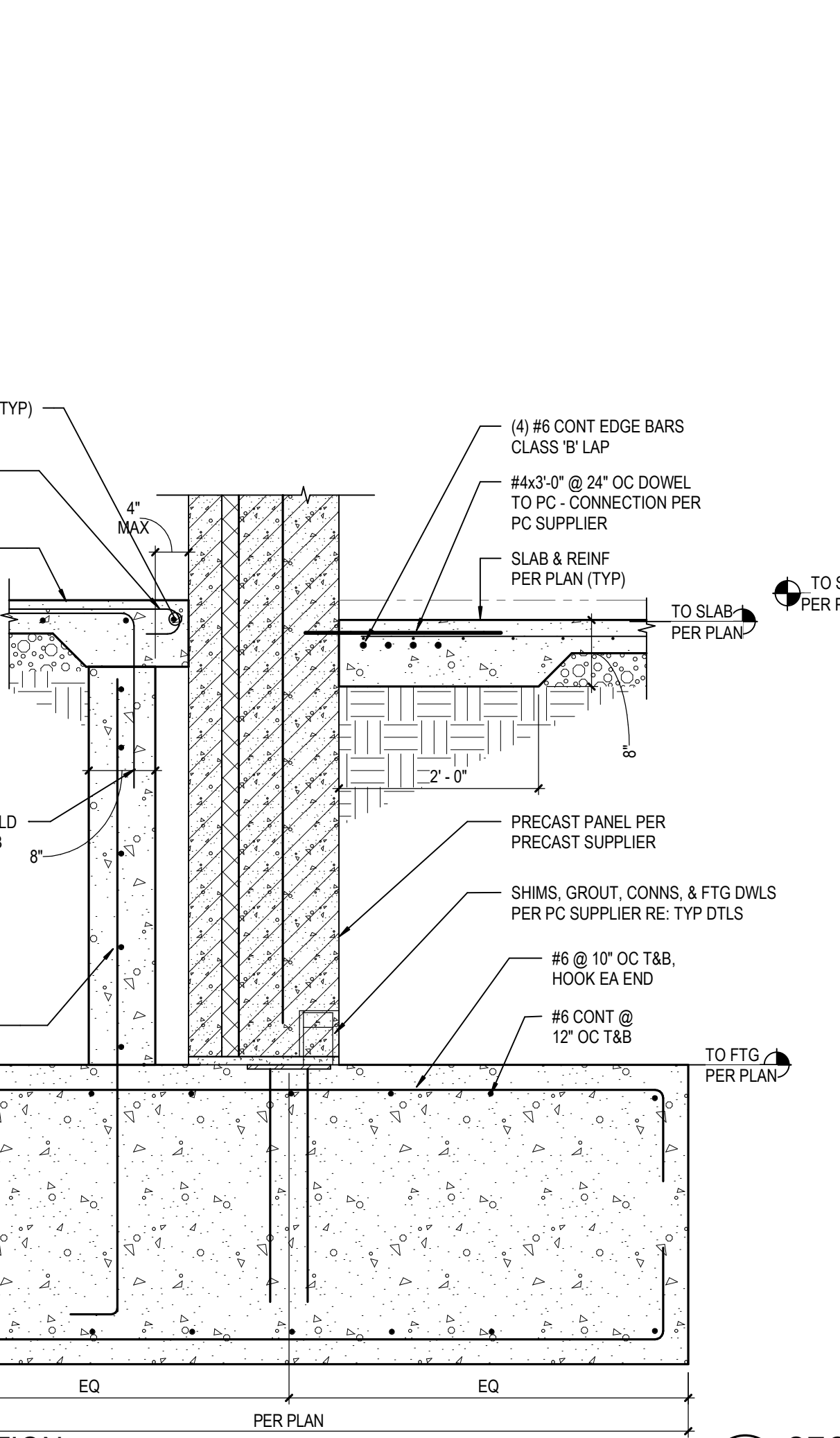
51 SECTION S3.7 SCALE: 3/4" = 1'-0"



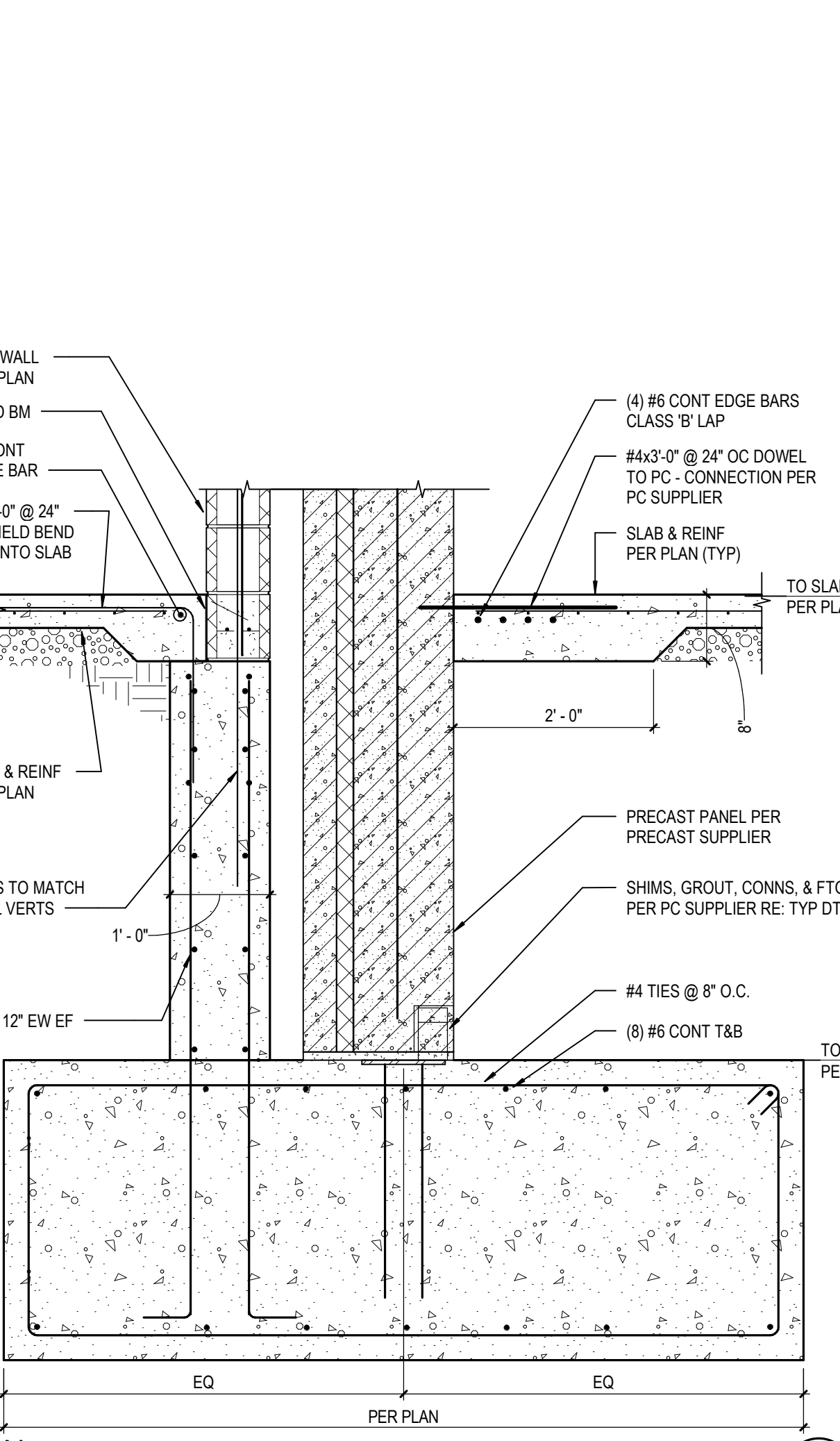
52 SECTION S3.7 SCALE: 3/4" = 1'-0"



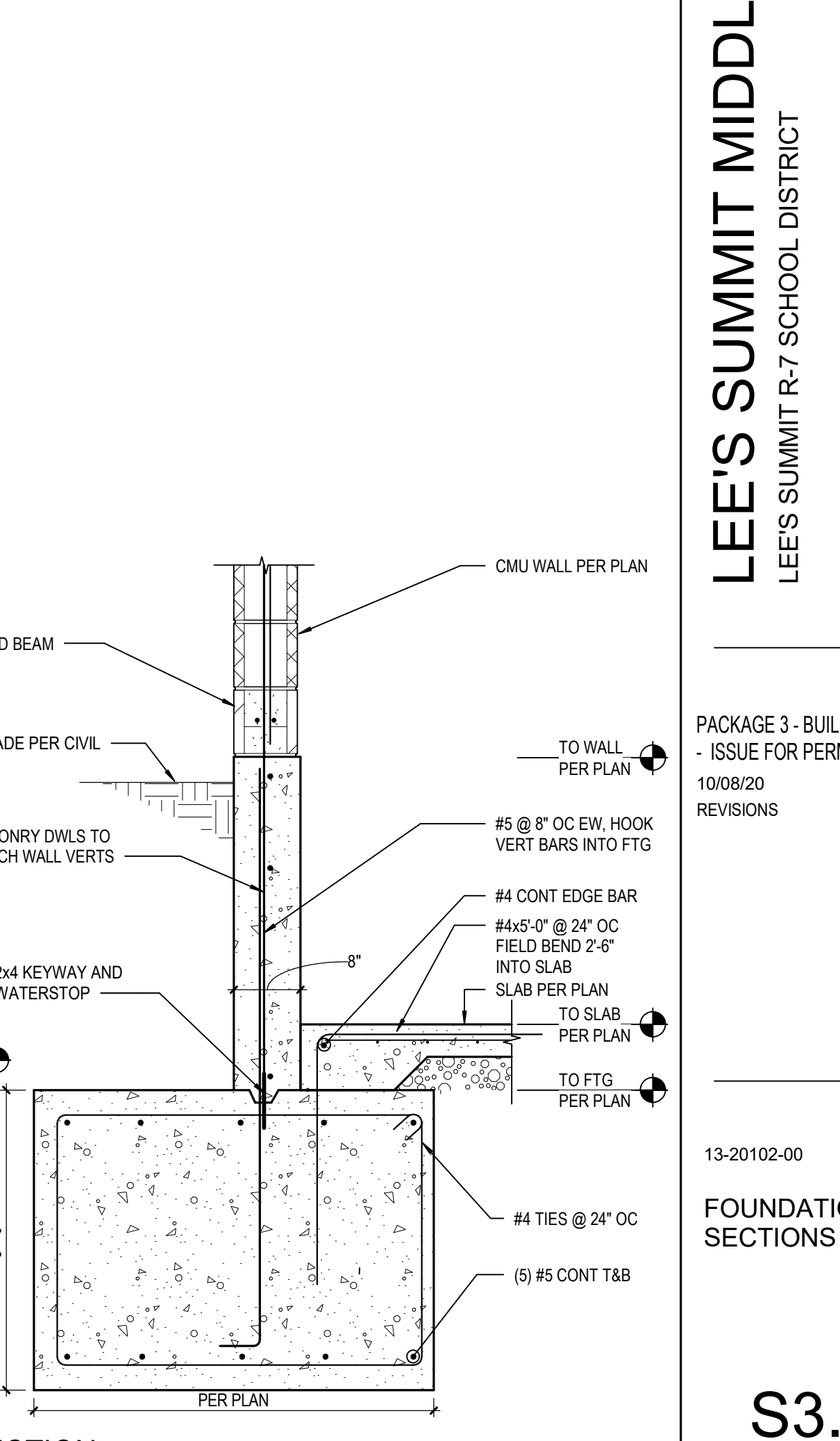
53 SECTION S3.7 SCALE: 3/4" = 1'-0"



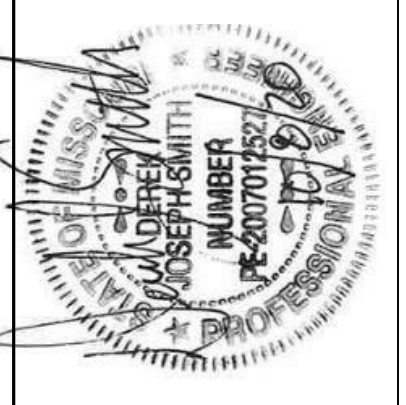
54 SECTION S3.7 SCALE: 3/4" = 1'-0"



55 SECTION S3.7 SCALE: 3/4" = 1'-0"



56 SECTION S3.7 SCALE: 3/4" = 1'-0"



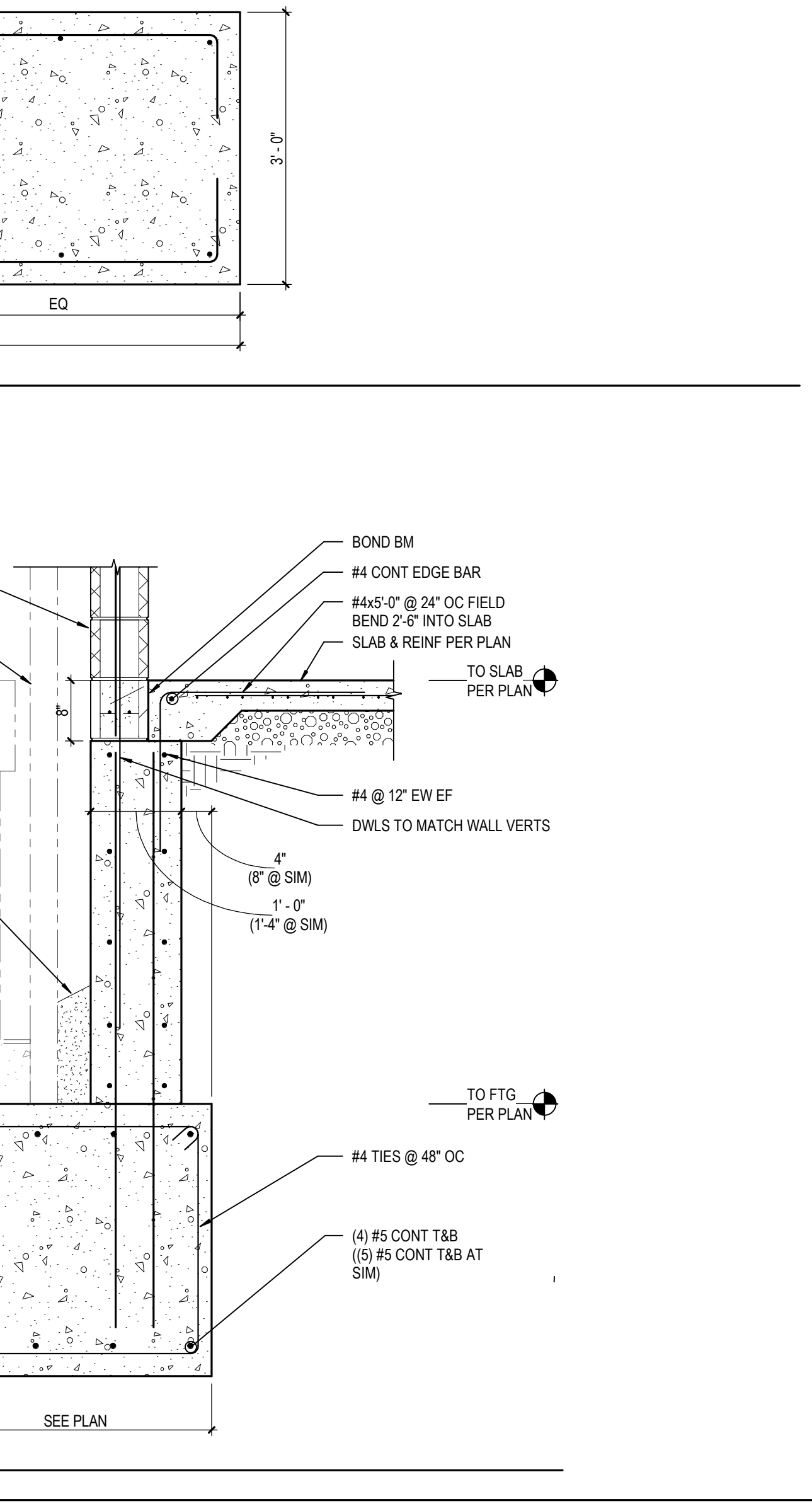
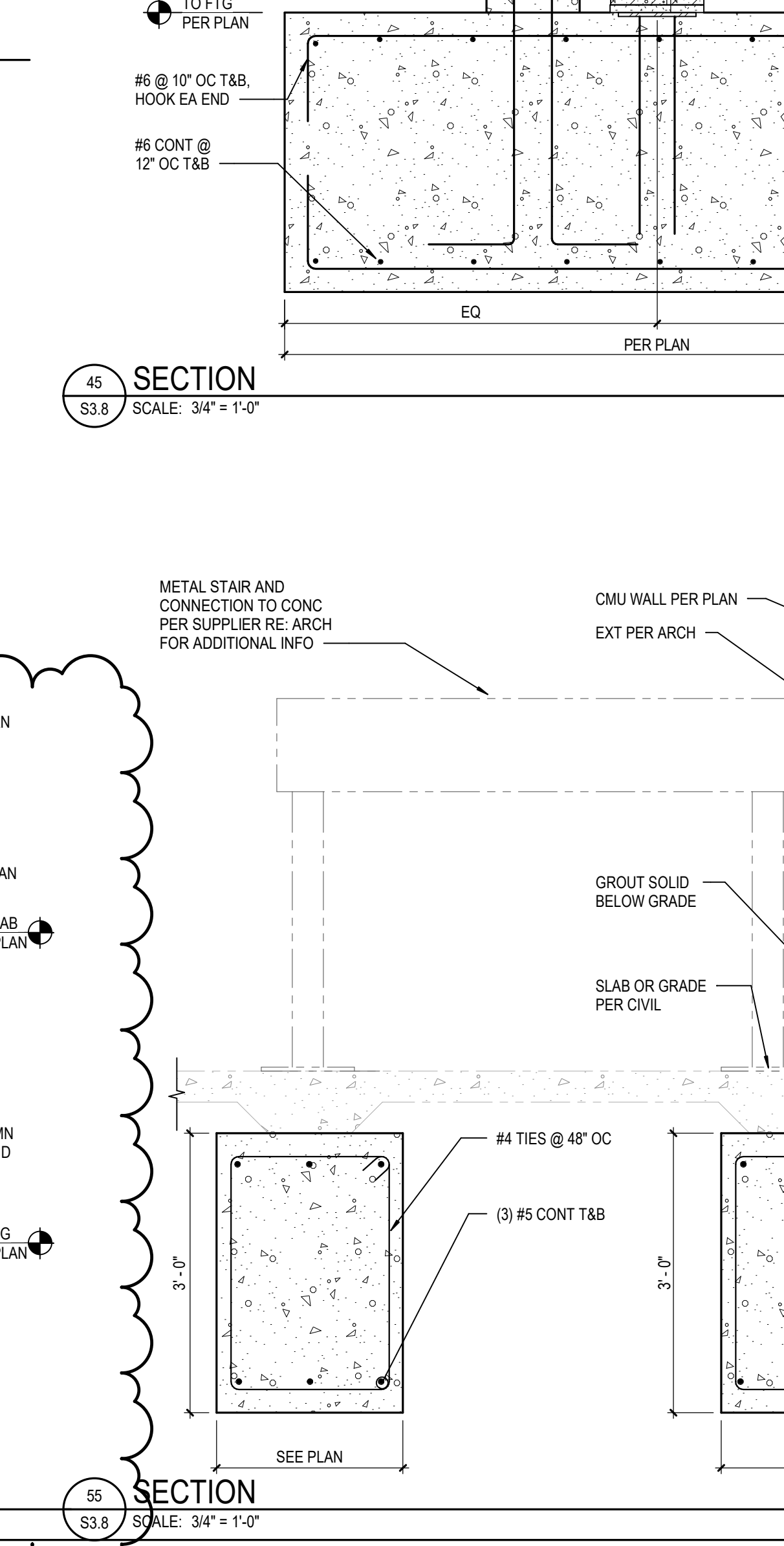
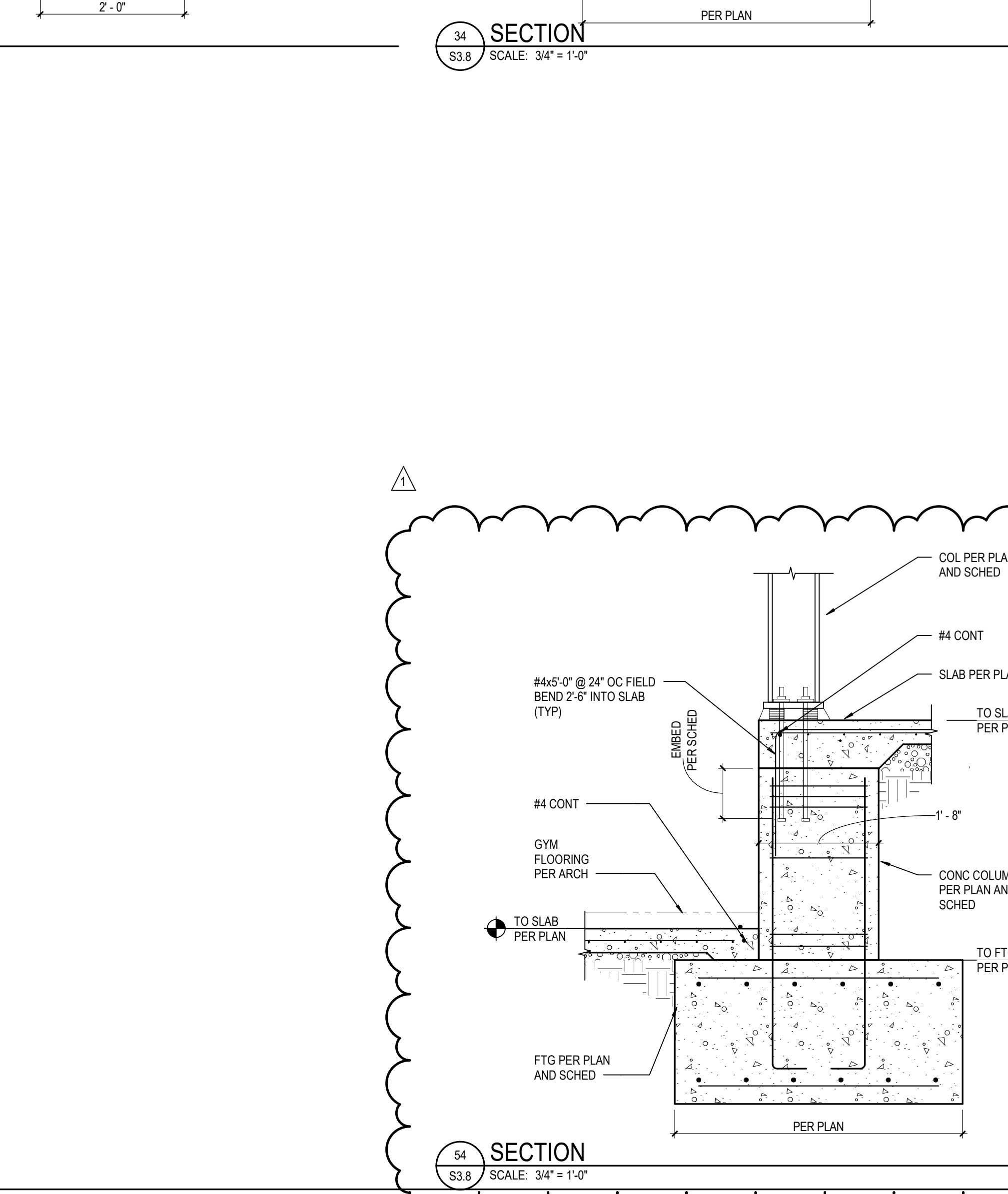
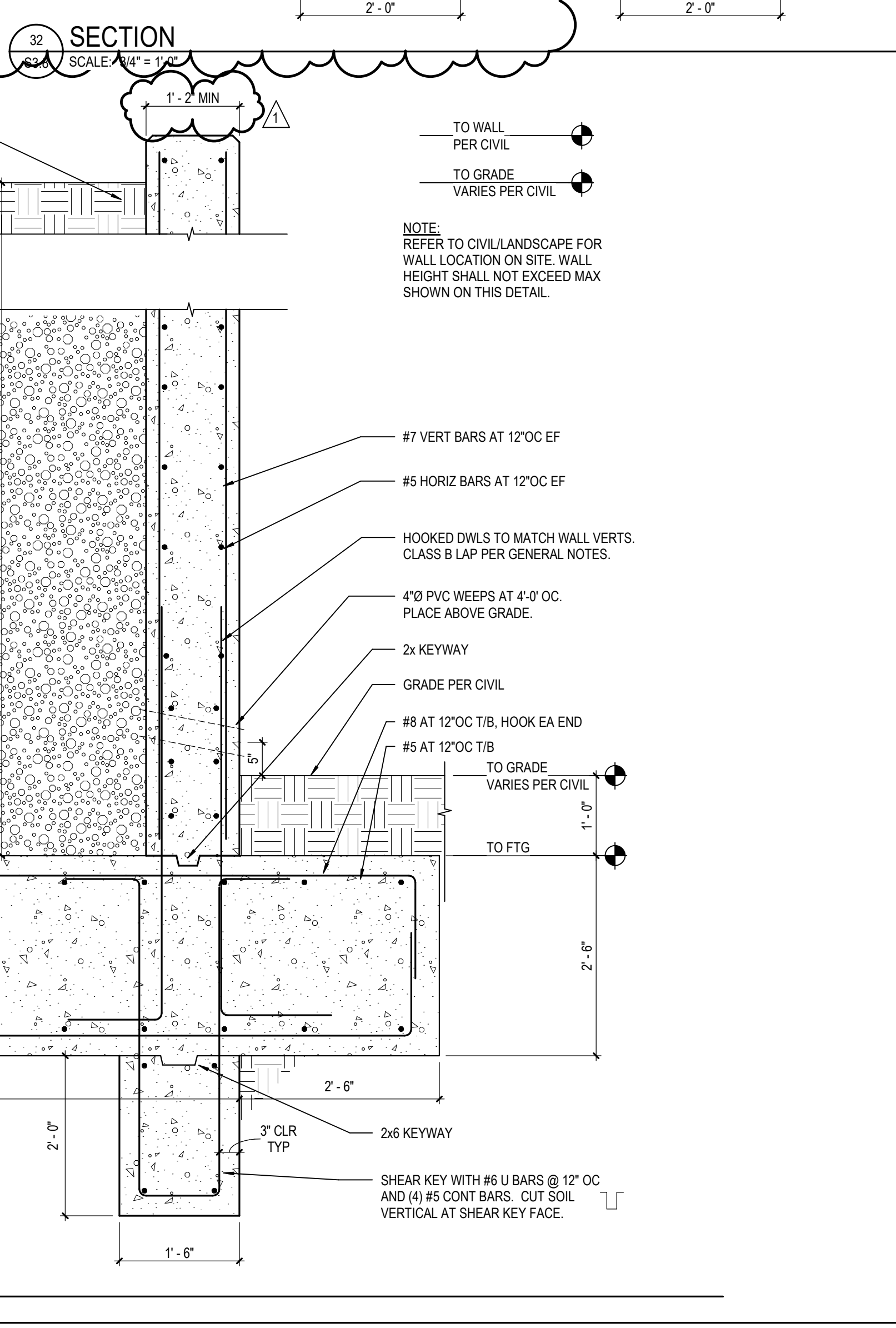
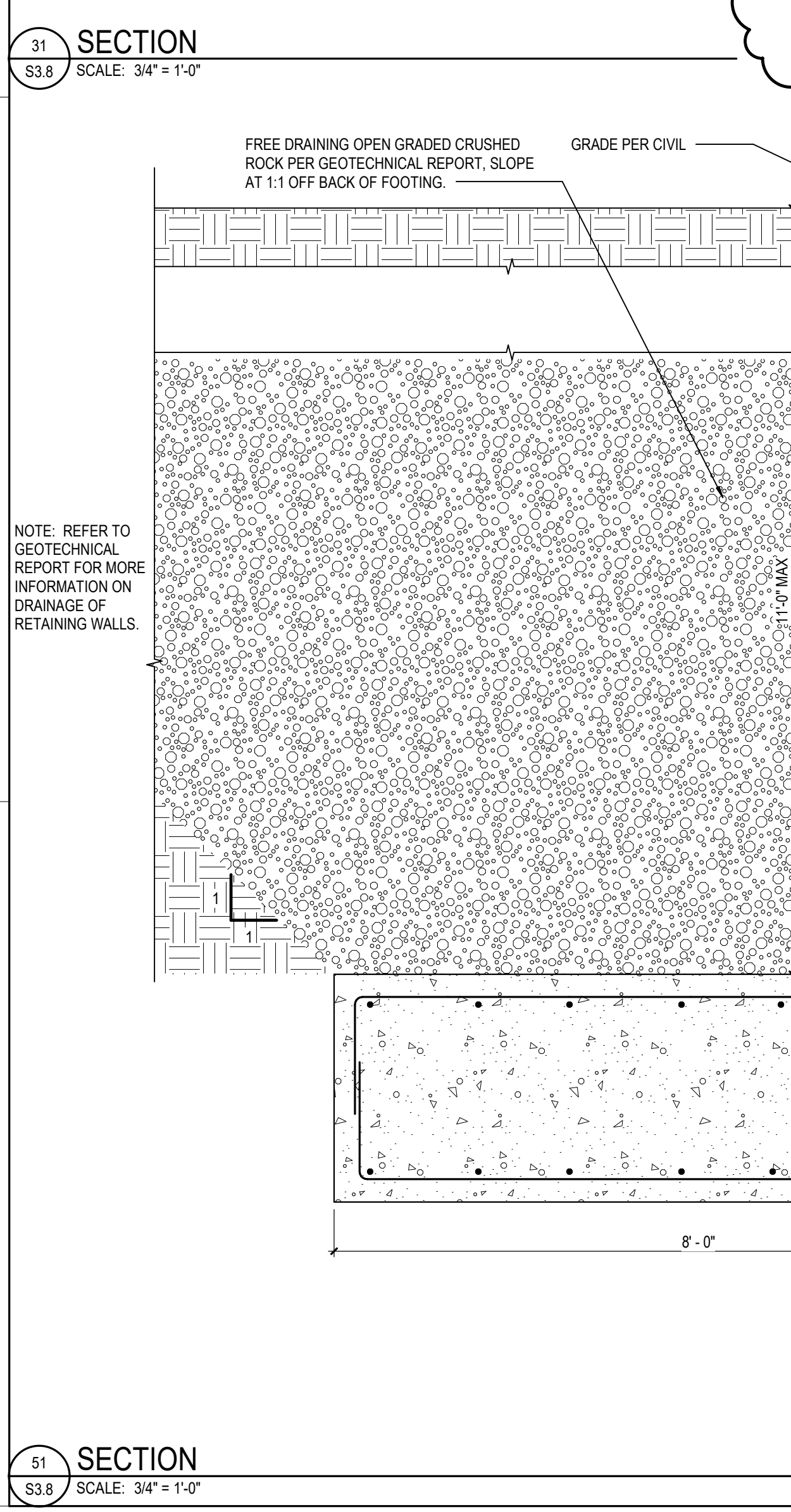
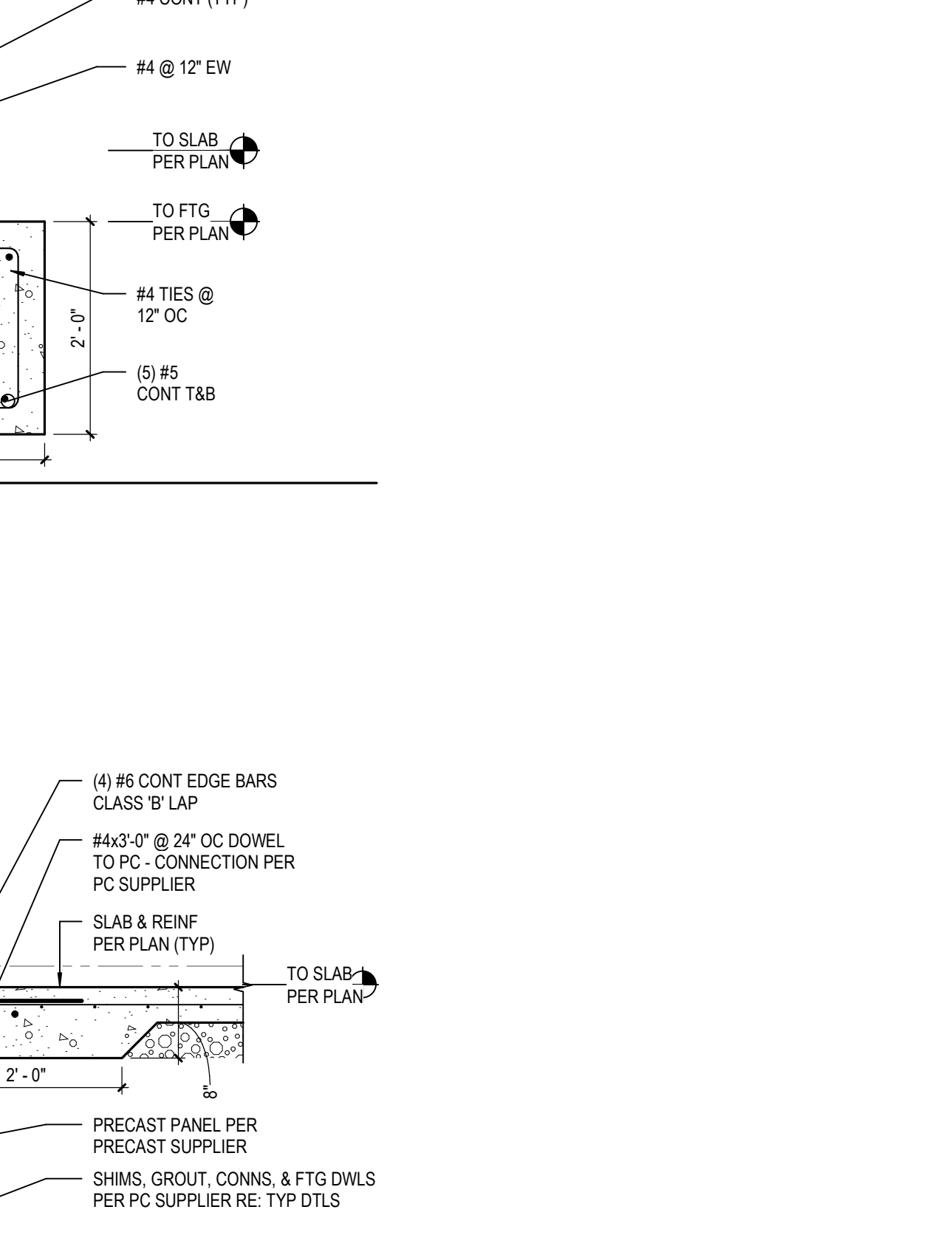
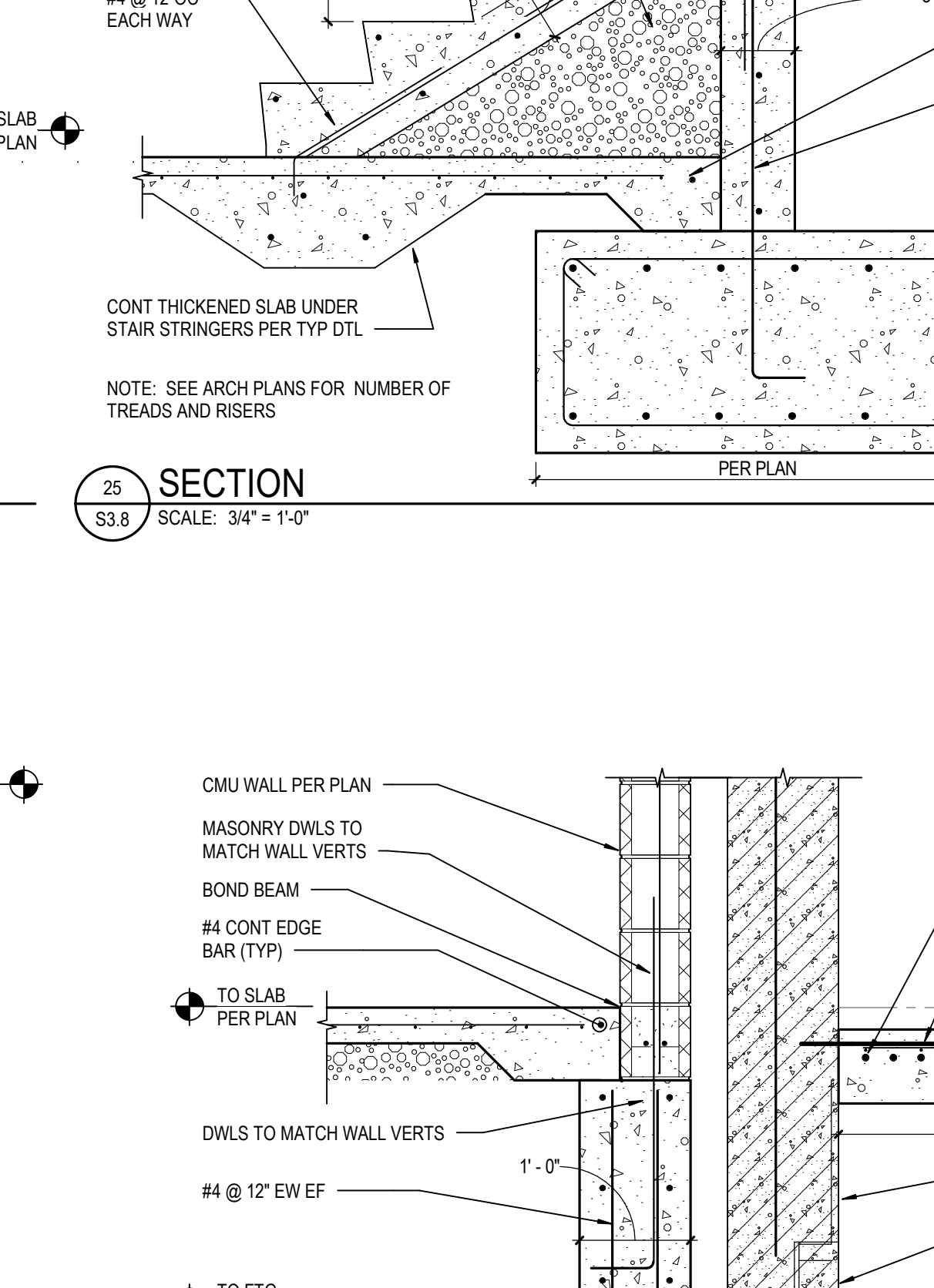
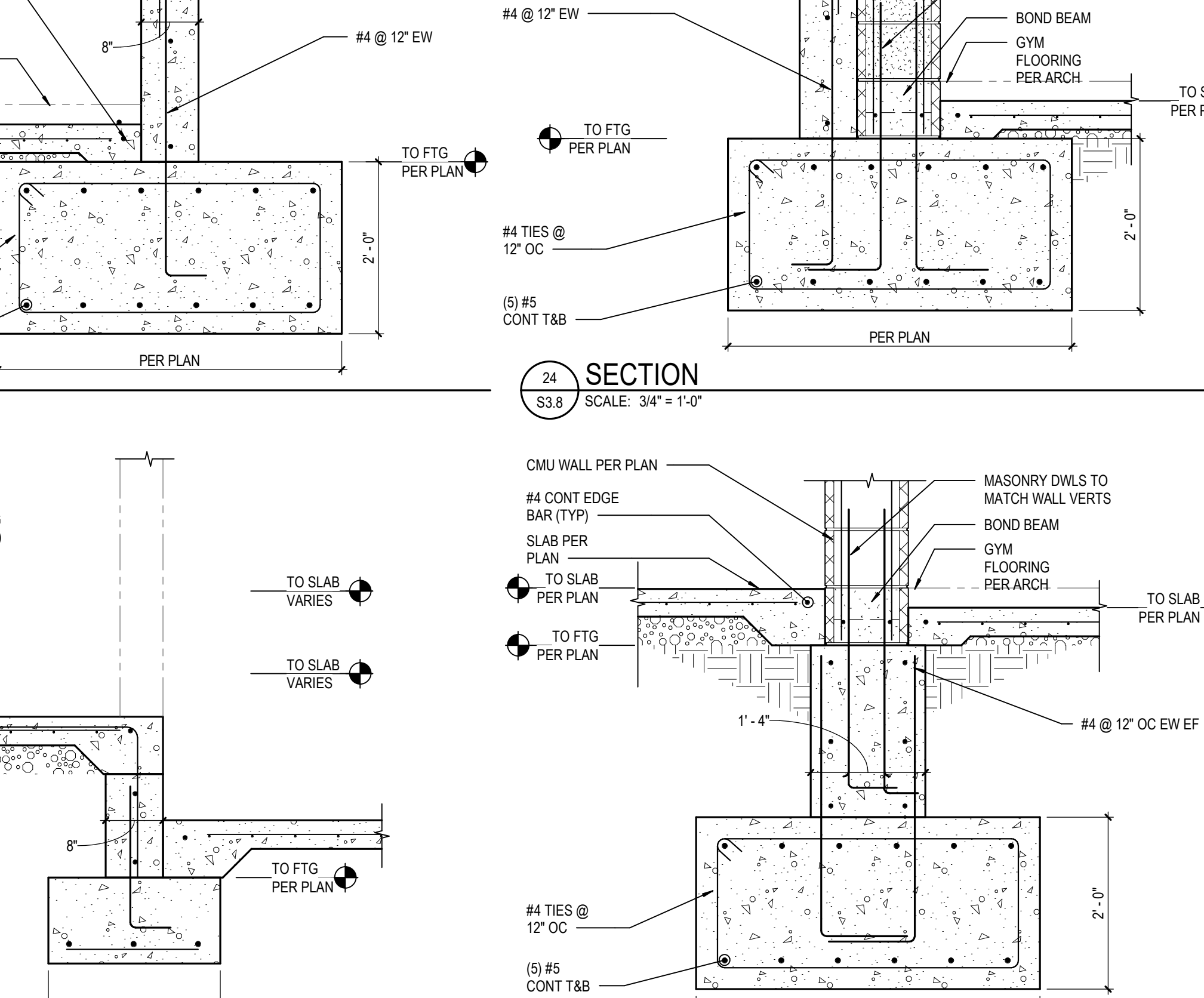
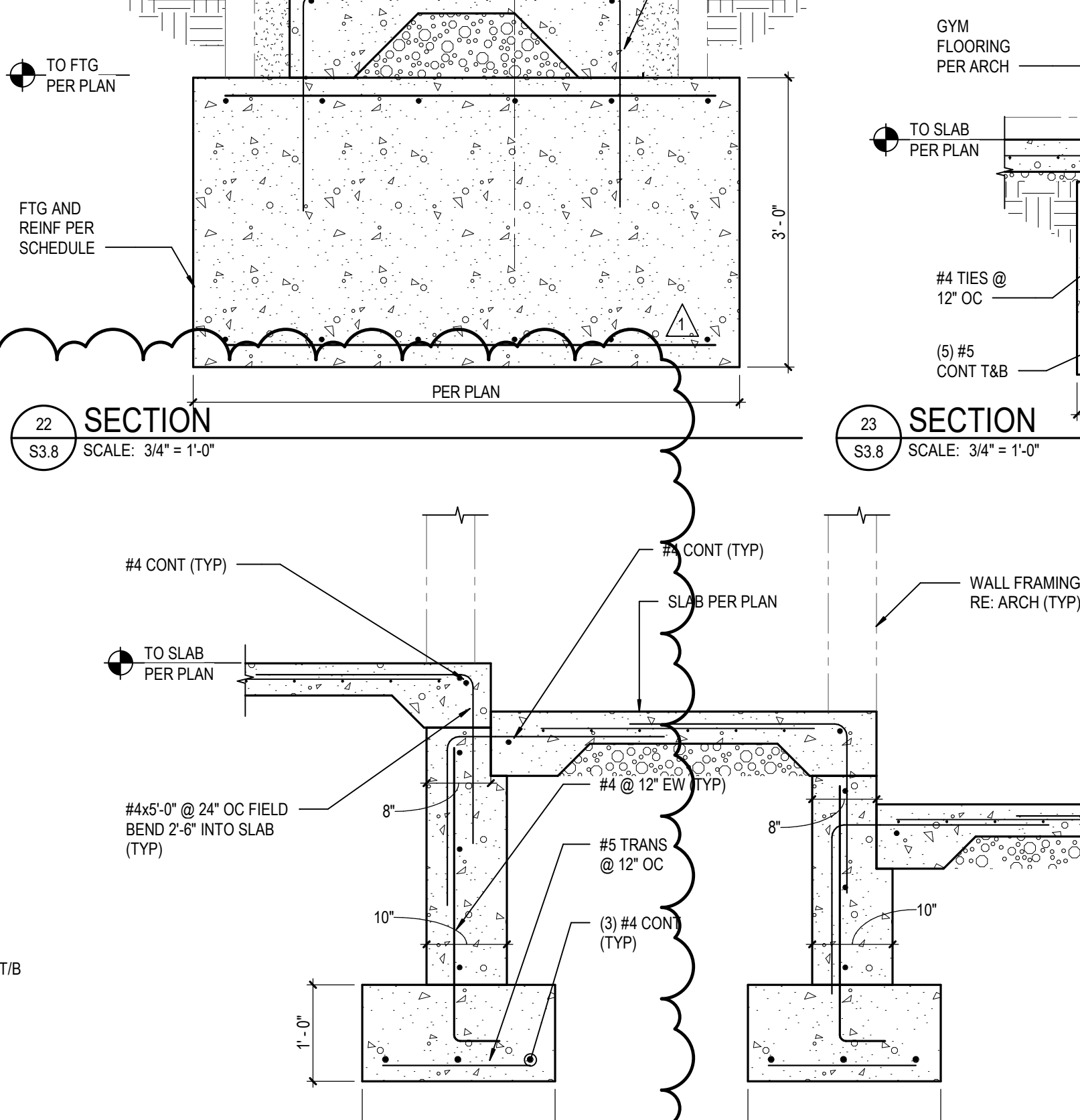
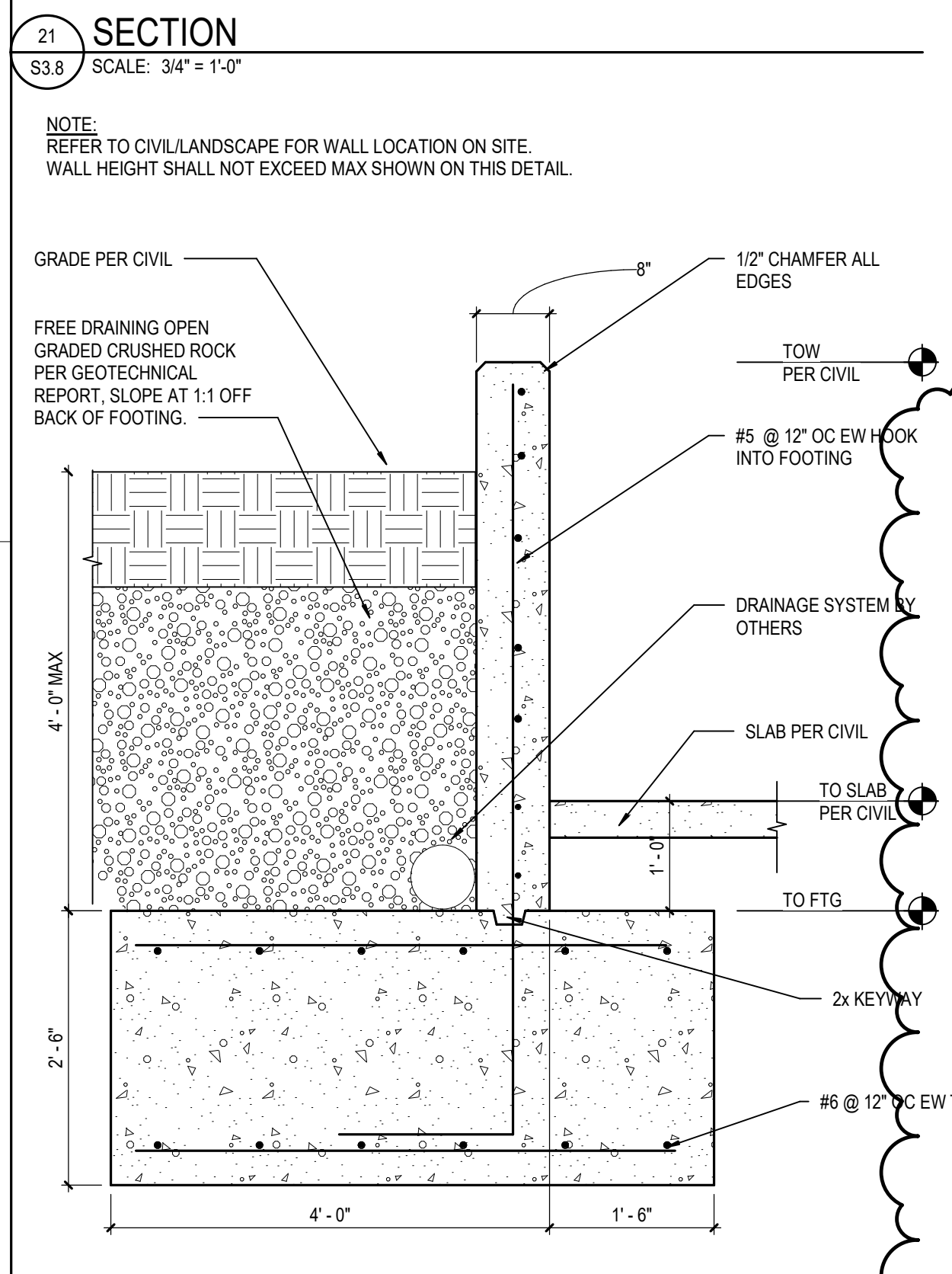
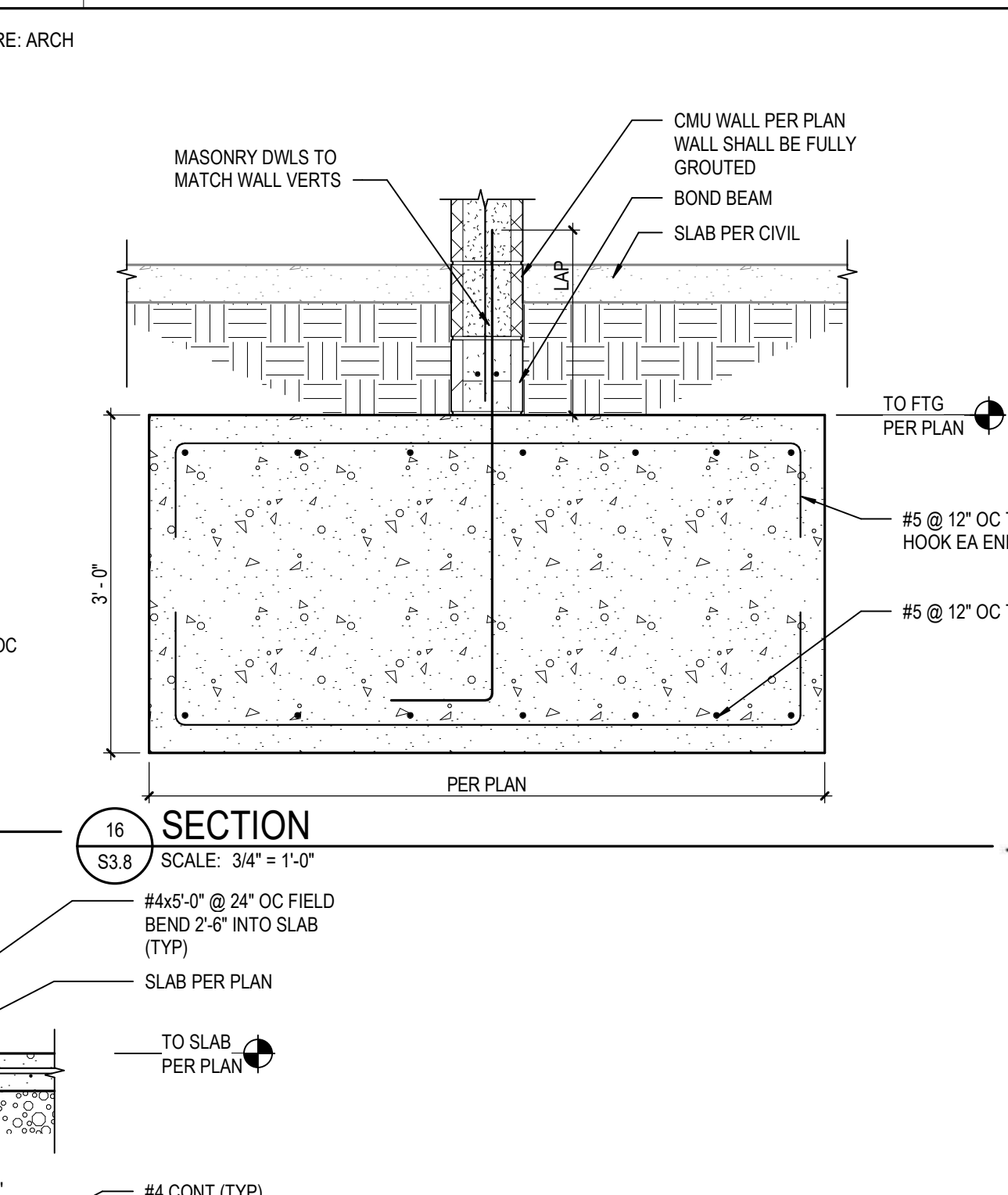
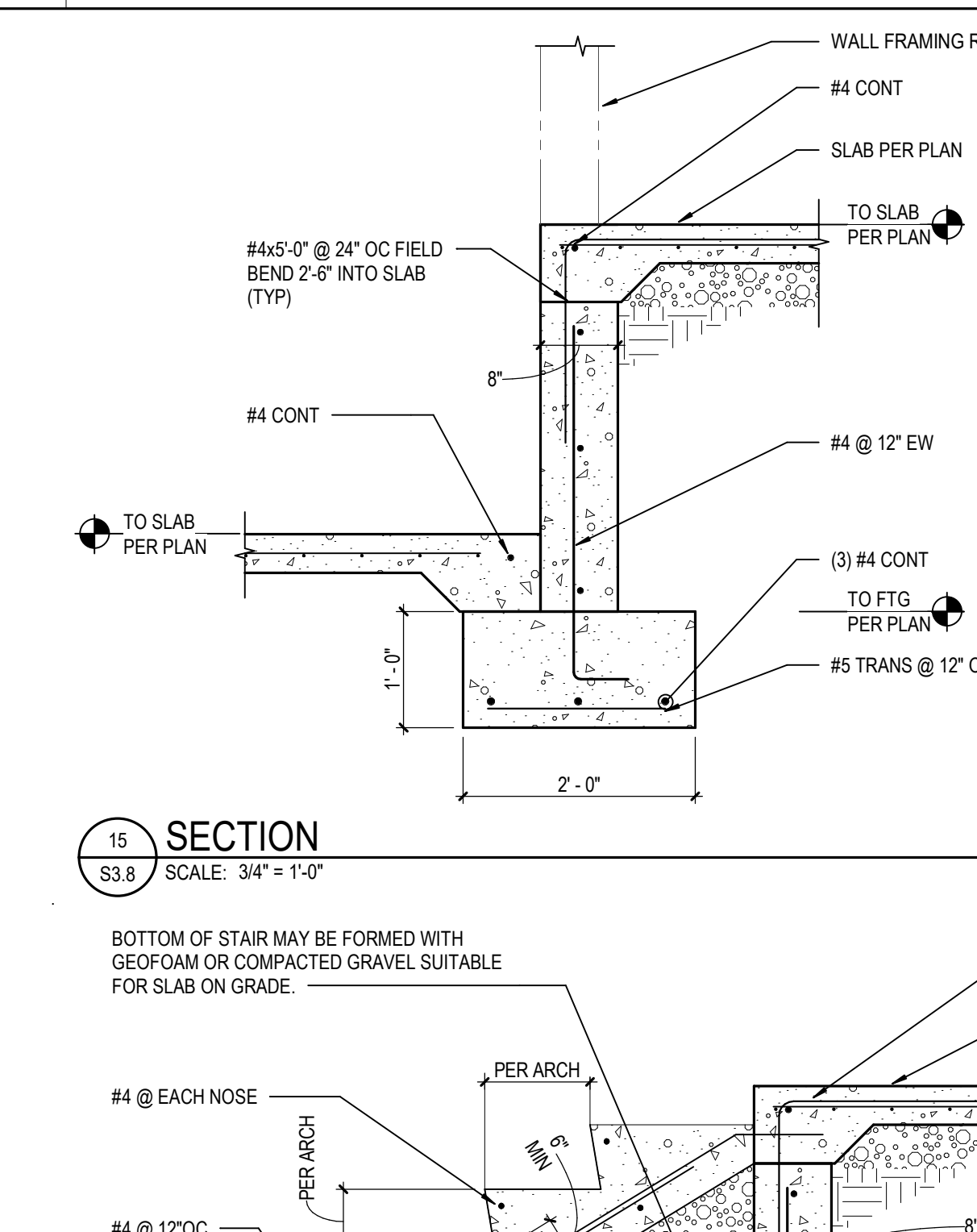
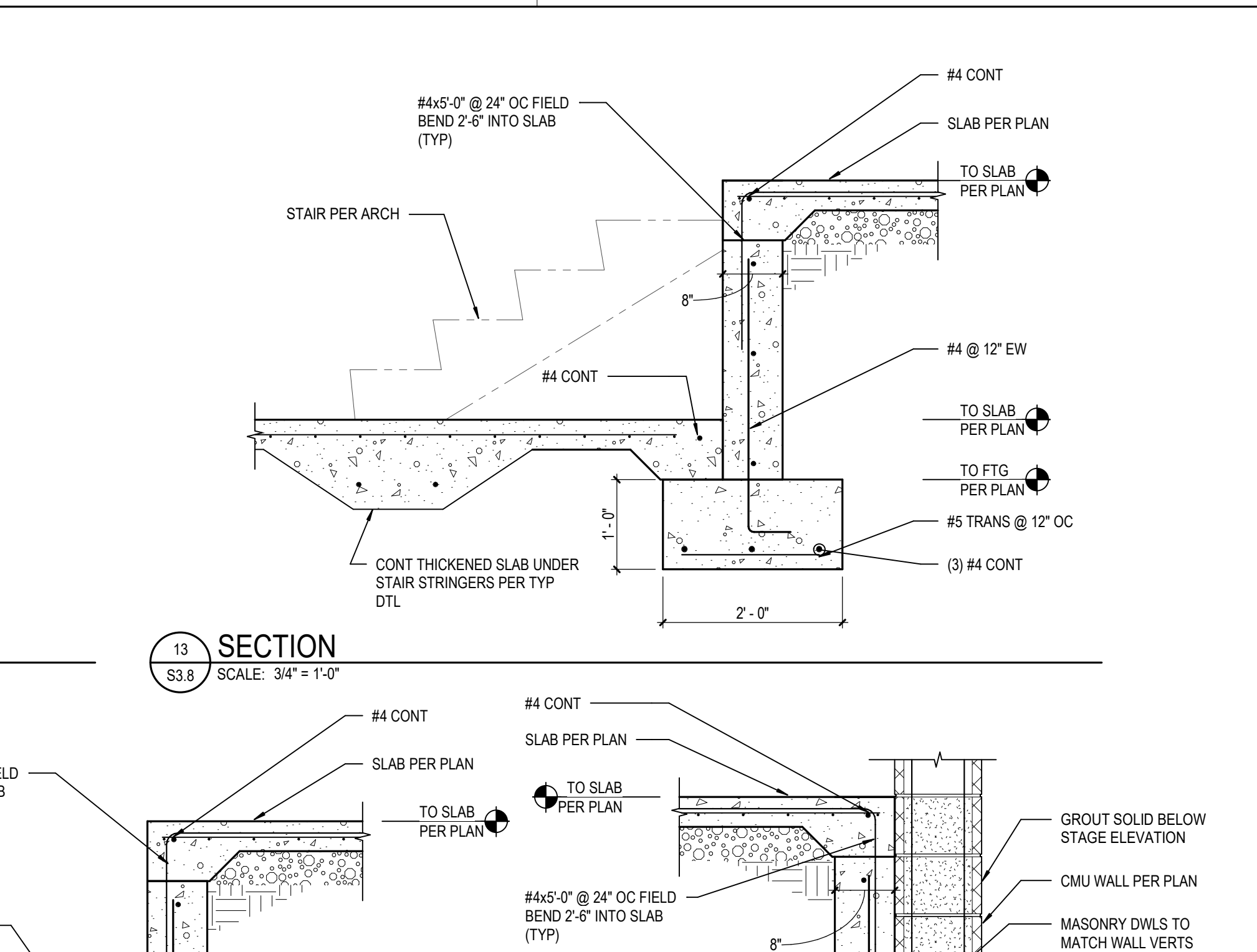
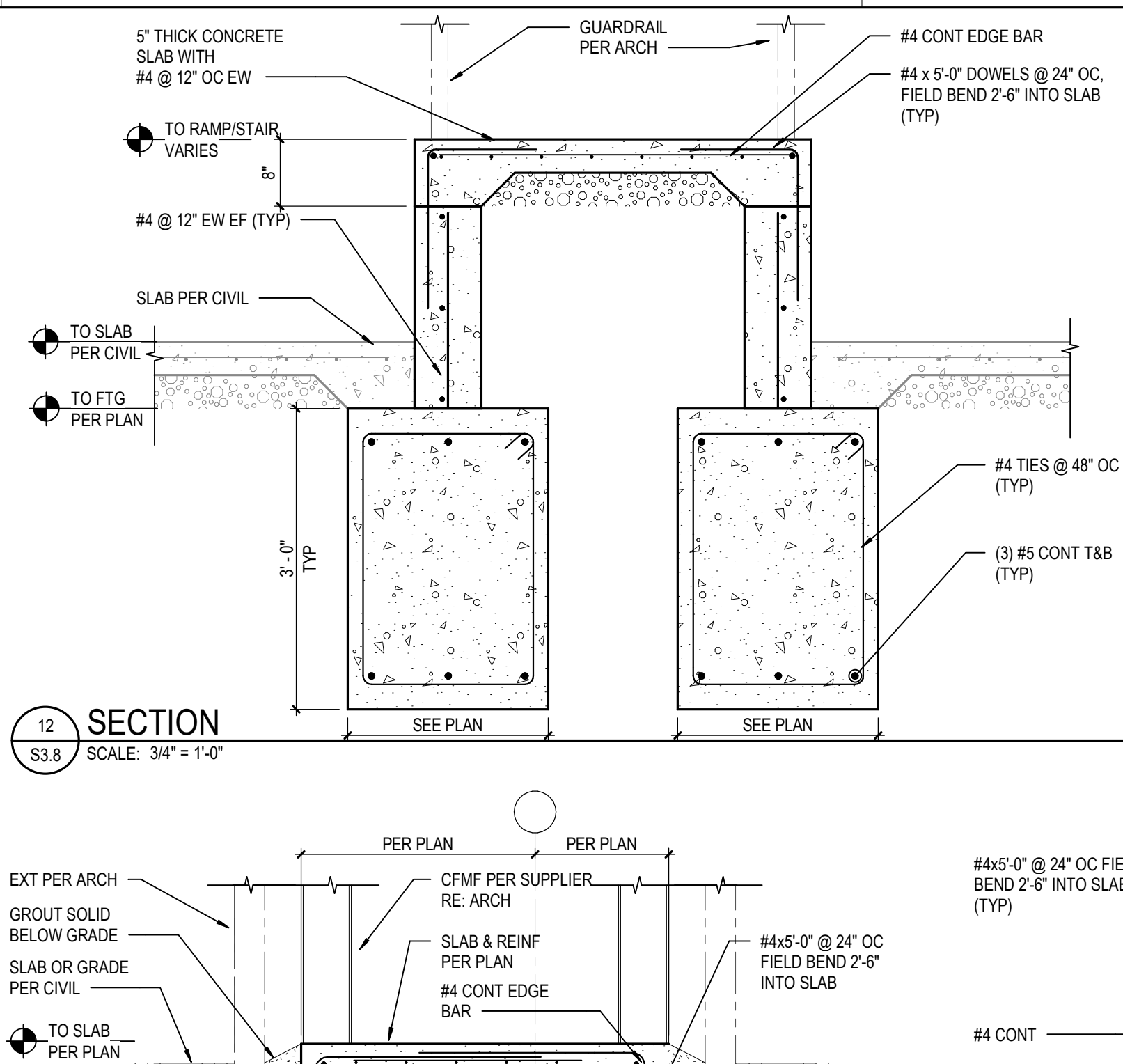
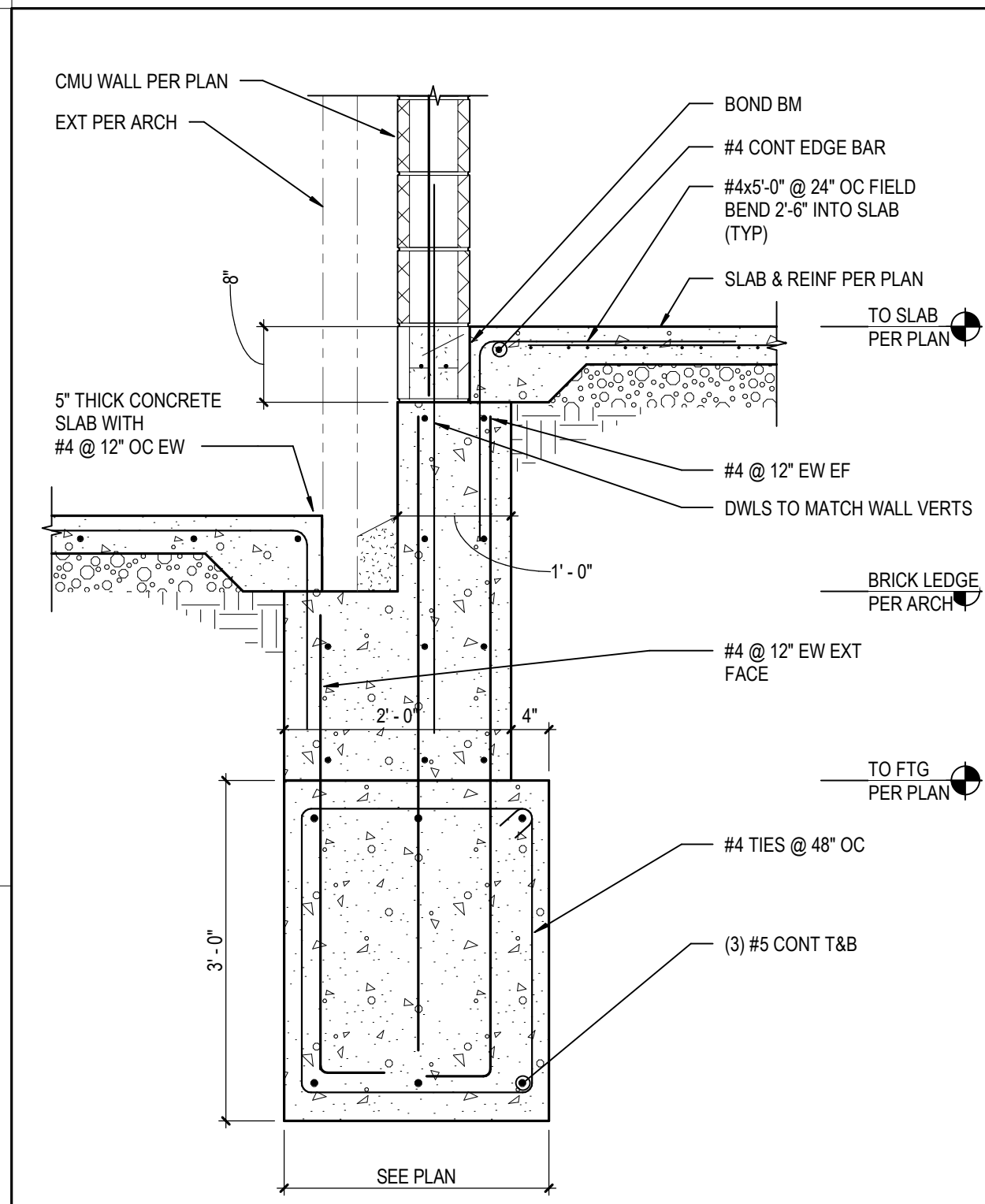
LEE'S SUMMIT MIDDLE SCHOOL #4
LEE'S SUMMIT-R7 SCHOOL DISTRICT
1001 SE BAILEY ROAD
LEE'S SUMMIT, MO 64661

PACKAGE 3 - BUILDING & SITE
- ISSUE FOR PERMIT
10/08/20
REVISIONS

13-20102-00
FOUNDATION SECTIONS

S3.7

B:\13-20102-00\Lee's Summit Middle School\413-20102-00_Lee's Summit Middle School_4_ST_2020.dwg
10/19/2020 11:14:46 AM



DLR Group
 © DLR Group
 ALL RIGHTS RESERVED
 Missouri State Certificate of Authority #00093

LEE'S SUMMIT MIDDLE SCHOOL #4
 LEE'S SUMMIT R-7 SCHOOL DISTRICT

1001 S. BAILEY ROAD
 LEE'S SUMMIT, MO 64081

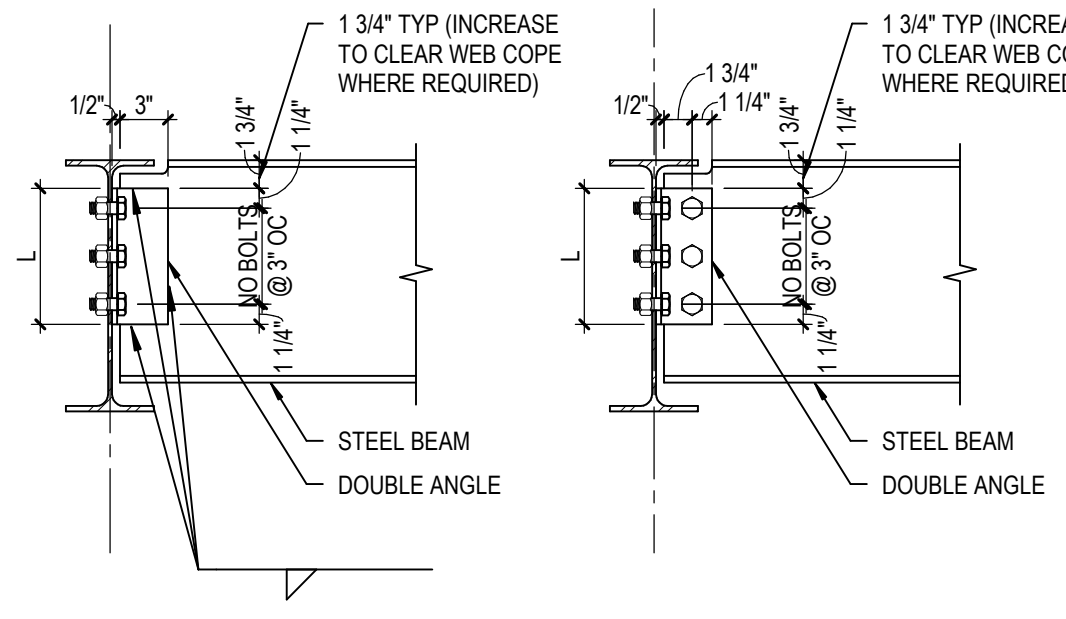
PACKAGE 3 - BUILDING & SITE
 - ISSUE FOR PERMIT
 10/08/20
 REVISIONS
 1 ACCORDION 002 10/19/20

13-20102-00
 FOUNDATION SECTIONS

S3.8

CONNECTION SCHEDULE		
BM SIZE	MIN NO OF BOLTS	L-ANGLE LENGTH
W8, W10	2	5 1/2"
W12, W14	3	8 1/2"
W16, W18	4	11 1/2"
W21	5	14 1/2"
W24	6	17 1/2"
W27	7	20 1/2"
W30, W33	8	23 1/2"
W36	9	26 1/2"

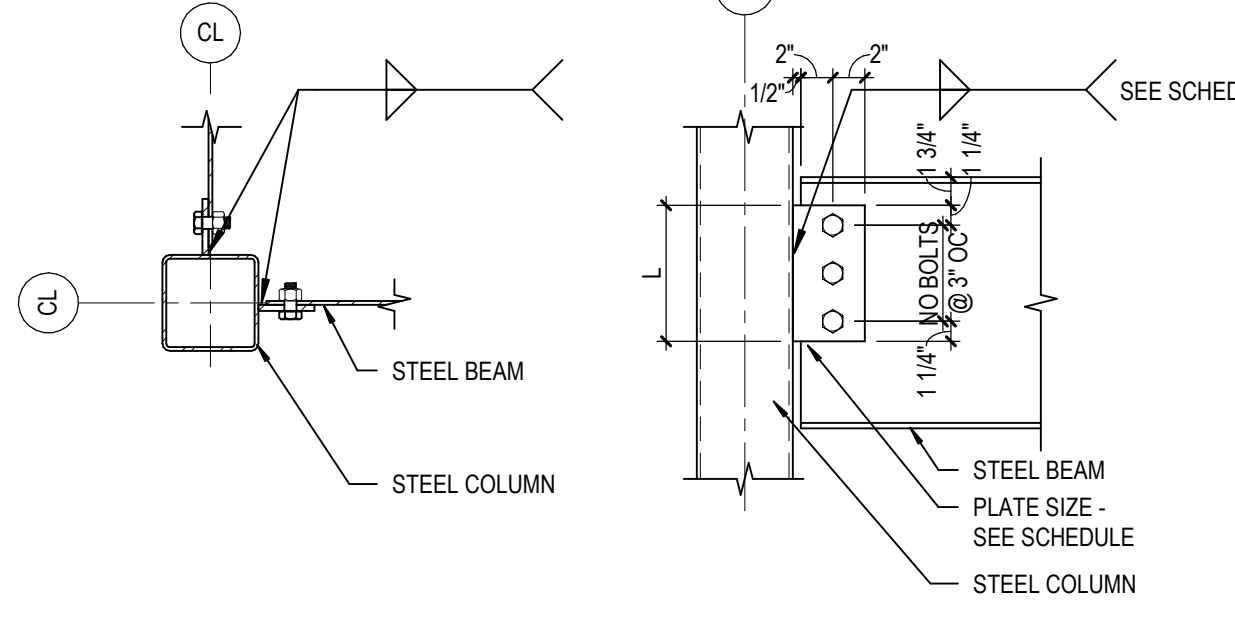
NOTES:
 1. USE SIMILAR CONNECTION AT WIDE FLANGE COLUMN FLANGE OR WEB.
 2. STEEL SUPPLIER TO DESIGN CONNECTIONS FOR LRFD REACTIONS PER PLAN W/ MIN NUMBER OF BOLTS PER THIS SCHEDULE.
 3. IF NO REACTIONS ARE PROVIDED, DESIGN CONNECTIONS TO RESIST 1/2 THE MAXIMUM TOTAL UNIFORM LRFD LOAD BASED ON SPAN LISTED IN TABLE 3-6 OF THE AISC STEEL CONNECTION MANUAL.



21 TYP STEEL BEAM CONNECTION DETAIL
 SCALE: 1" = 1'-0"

CONNECTION SCHEDULE		
EACH BM SIZE	MIN NO OF BOLTS	L-ANGLE LENGTH
W8, W10	2	5 1/2"
W12, W14	3	8 1/2"
W16, W18	4	11 1/2"
W21	5	14 1/2"
W24	6	17 1/2"
W27	7	20 1/2"
W30, W33	8	23 1/2"
W36	9	26 1/2"

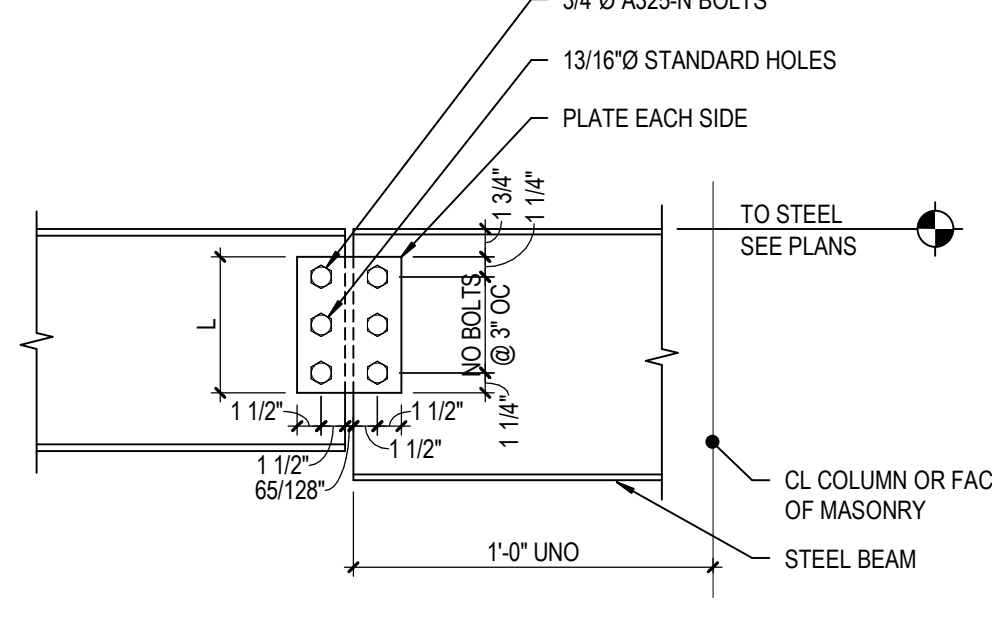
NOTES:
 1. USE SIMILAR CONNECTION AT WIDE FLANGE COLUMN FLANGE OR WEB.
 2. STEEL SUPPLIER TO DESIGN CONNECTIONS FOR LRFD REACTIONS PER PLAN W/ MIN NUMBER OF BOLTS PER THIS SCHEDULE.
 3. IF NO REACTIONS ARE PROVIDED, DESIGN CONNECTIONS TO RESIST 1/2 THE MAXIMUM TOTAL UNIFORM LRFD LOAD BASED ON SPAN LISTED IN TABLE 3-6 OF THE AISC STEEL CONNECTION MANUAL.



22 TYP STEEL BEAM CONNECTION DETAIL
 SCALE: 1" = 1'-0"

CONNECTION SCHEDULE		
BM SIZE	MIN NO OF BOLTS	L-PLATE LENGTH
W8, W10	2	5 1/2"
W12, W14	3	8 1/2"
W16, W18	4	11 1/2"
W21	5	14 1/2"
W24	6	17 1/2"
W27	7	20 1/2"
W30, W33	8	23 1/2"
W36	9	26 1/2"

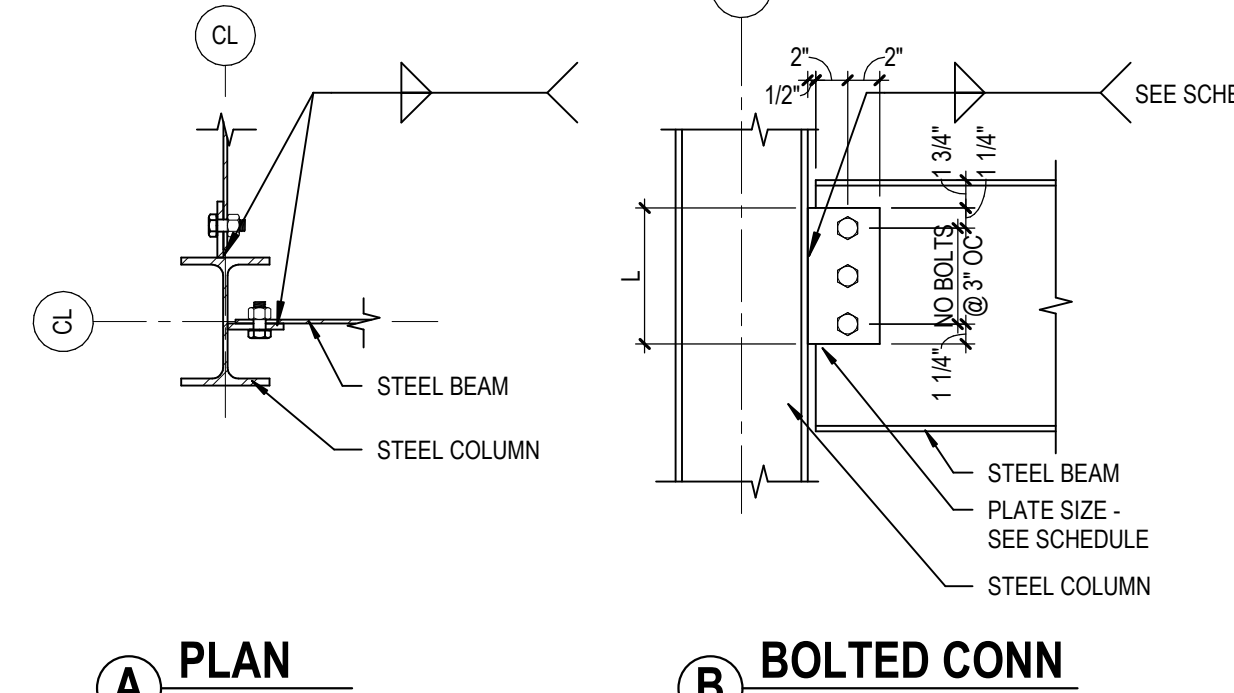
NOTES:
 1. STEEL SUPPLIER TO DESIGN CONNECTIONS FOR LRFD REACTIONS PER PLAN W/ MIN NUMBER OF BOLTS PER THIS SCHEDULE.
 2. IF NO REACTIONS ARE PROVIDED, DESIGN CONNECTIONS TO RESIST 1/2 THE MAXIMUM TOTAL UNIFORM LRFD LOAD BASED ON SPAN LISTED IN TABLE 3-6 OF THE AISC STEEL CONNECTION MANUAL.



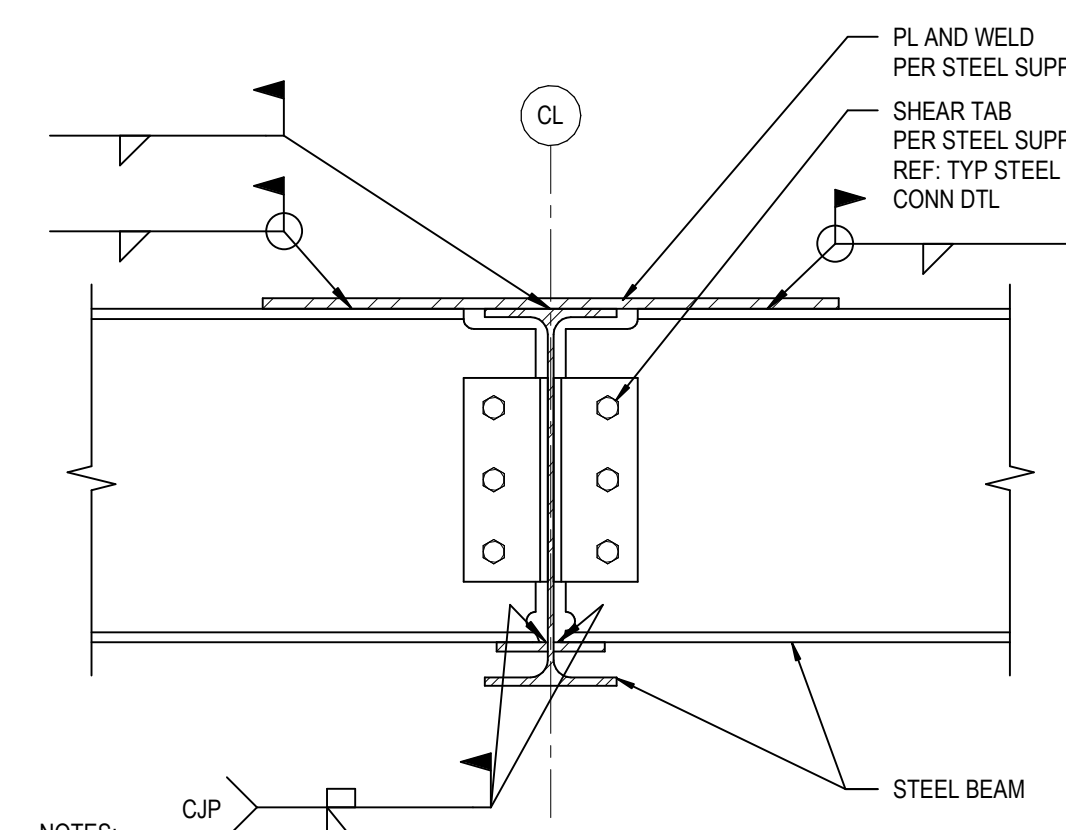
23 TYP STEEL BEAM CONNECTION DETAIL
 SCALE: 1" = 1'-0"

CONNECTION SCHEDULE		
EACH BM SIZE	MIN NO OF BOLTS	L-ANGLE LENGTH
W8, W10	2	5 1/2"
W12, W14	3	8 1/2"
W16, W18	4	11 1/2"
W21	5	14 1/2"
W24	6	17 1/2"
W27	7	20 1/2"
W30, W33	8	23 1/2"
W36	9	26 1/2"

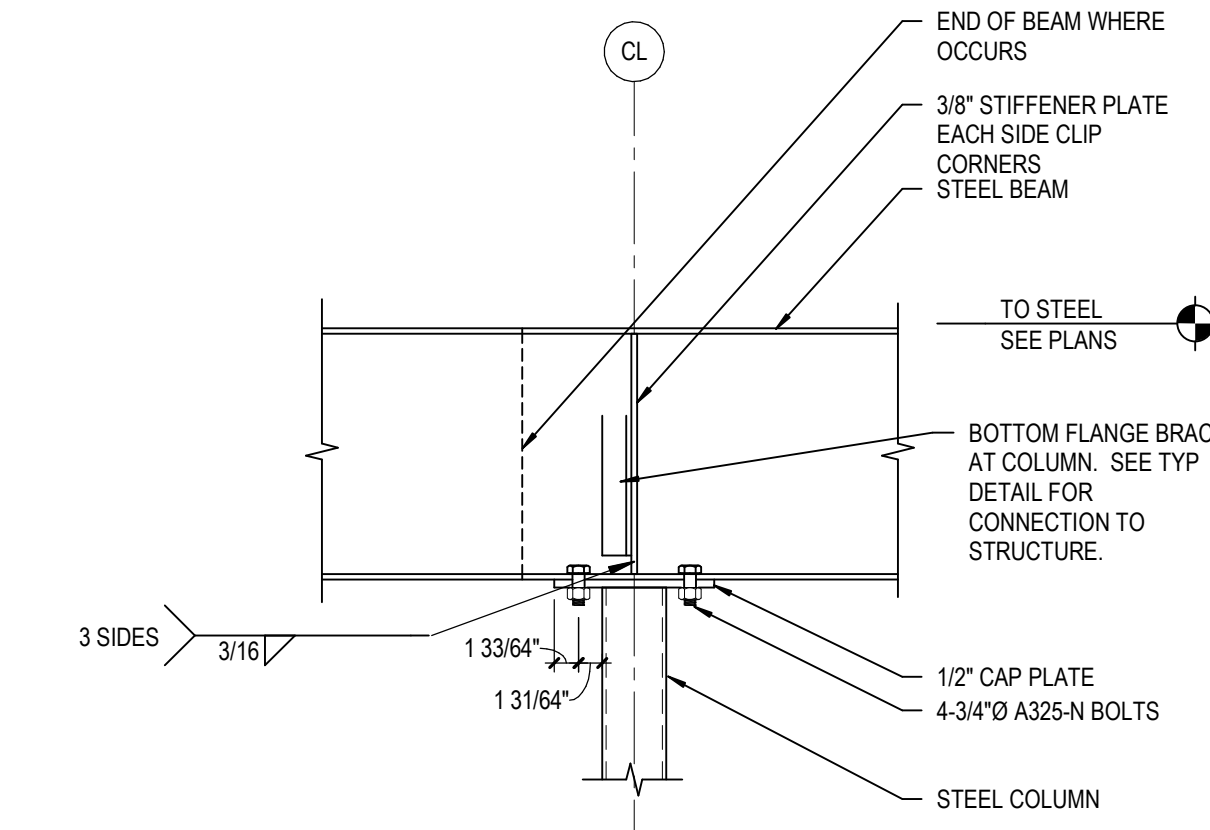
NOTES:
 1. USE SIMILAR CONNECTION AT WIDE FLANGE COLUMN FLANGE OR WEB.
 2. STEEL SUPPLIER TO DESIGN CONNECTIONS FOR LRFD REACTIONS PER PLAN W/ MIN NUMBER OF BOLTS PER THIS SCHEDULE.
 3. IF NO REACTIONS ARE PROVIDED, DESIGN CONNECTIONS TO RESIST 1/2 THE MAXIMUM TOTAL UNIFORM LRFD LOAD BASED ON SPAN LISTED IN TABLE 3-6 OF THE AISC STEEL CONNECTION MANUAL.



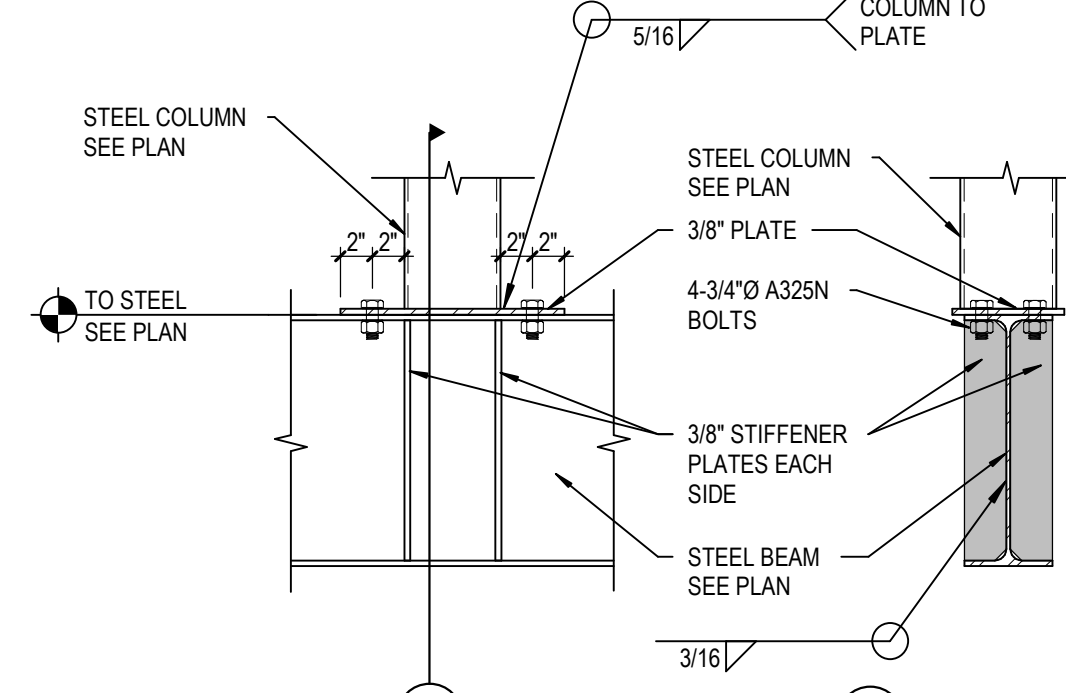
24 TYP STEEL BEAM CONNECTION DETAIL
 SCALE: 1" = 1'-0"



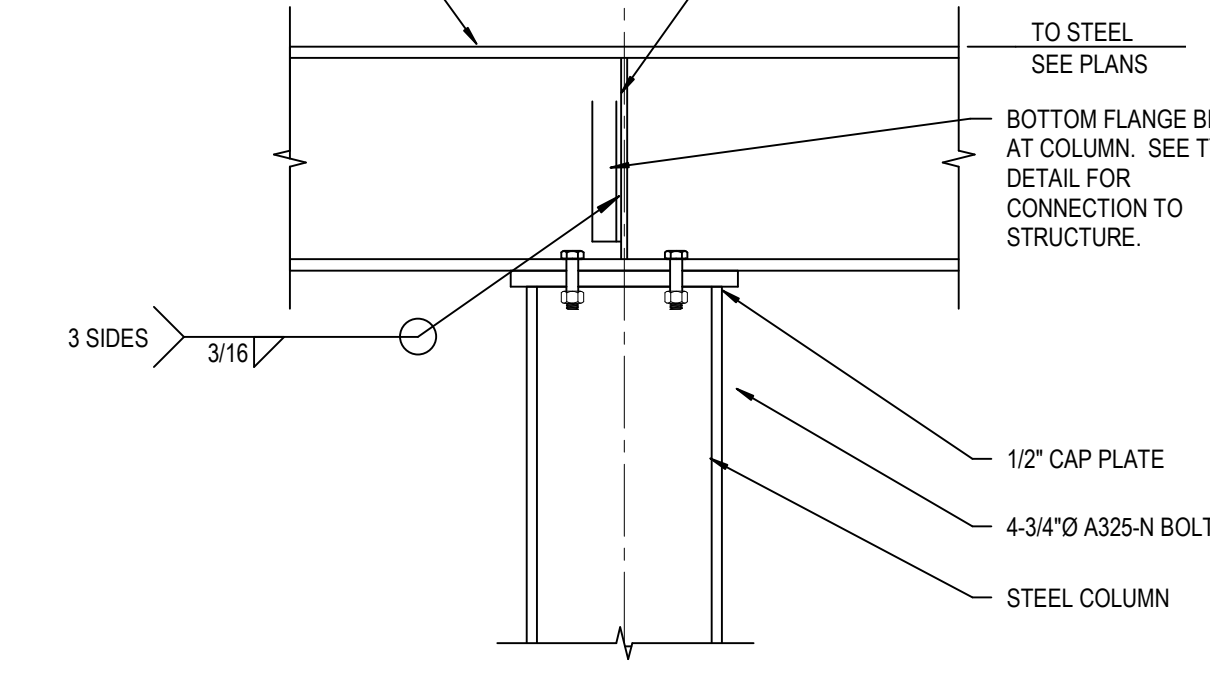
15 TYP WF BEAM MOMENT CONNECTION DETAIL
 SCALE: 1 1/2" = 1'-0"



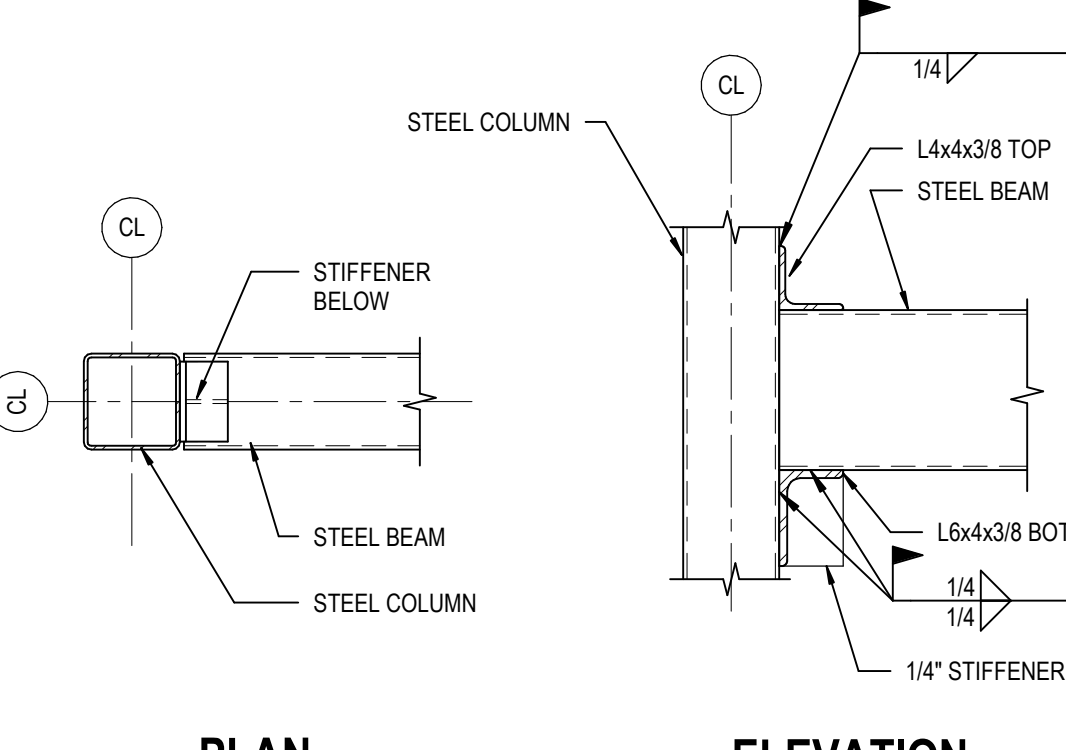
16 TYP BEAM OVER COLUMN DETAIL
 SCALE: 1" = 1'-0"



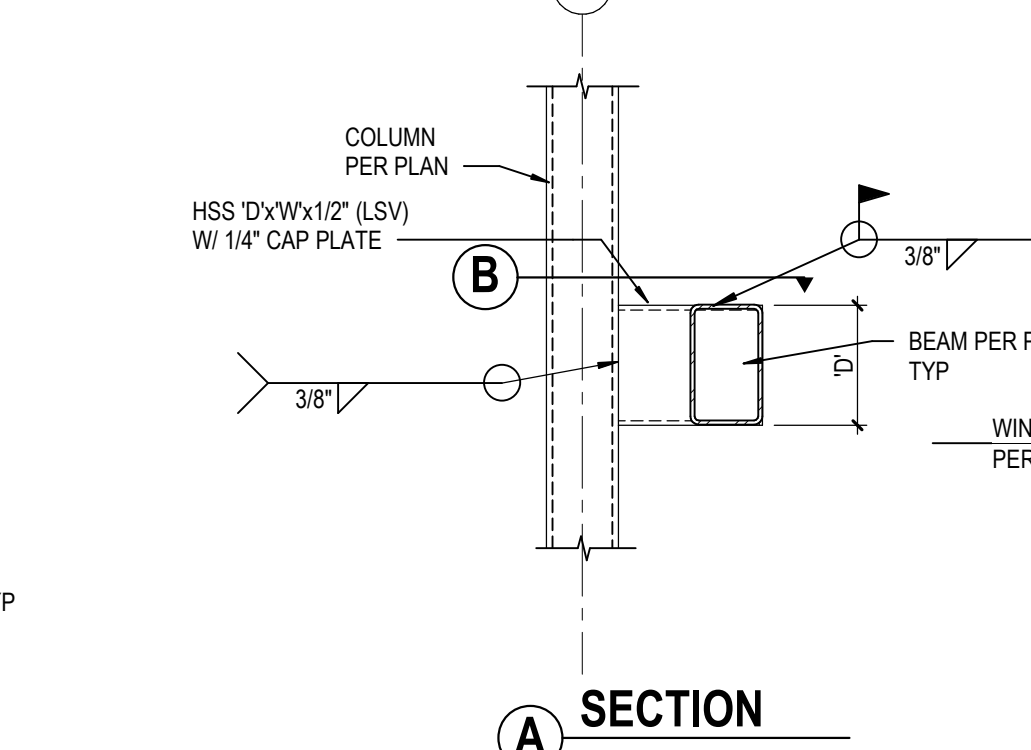
25 COLUMN / BEAM CONNECTION DETAIL
 SCALE: 1" = 1'-0"



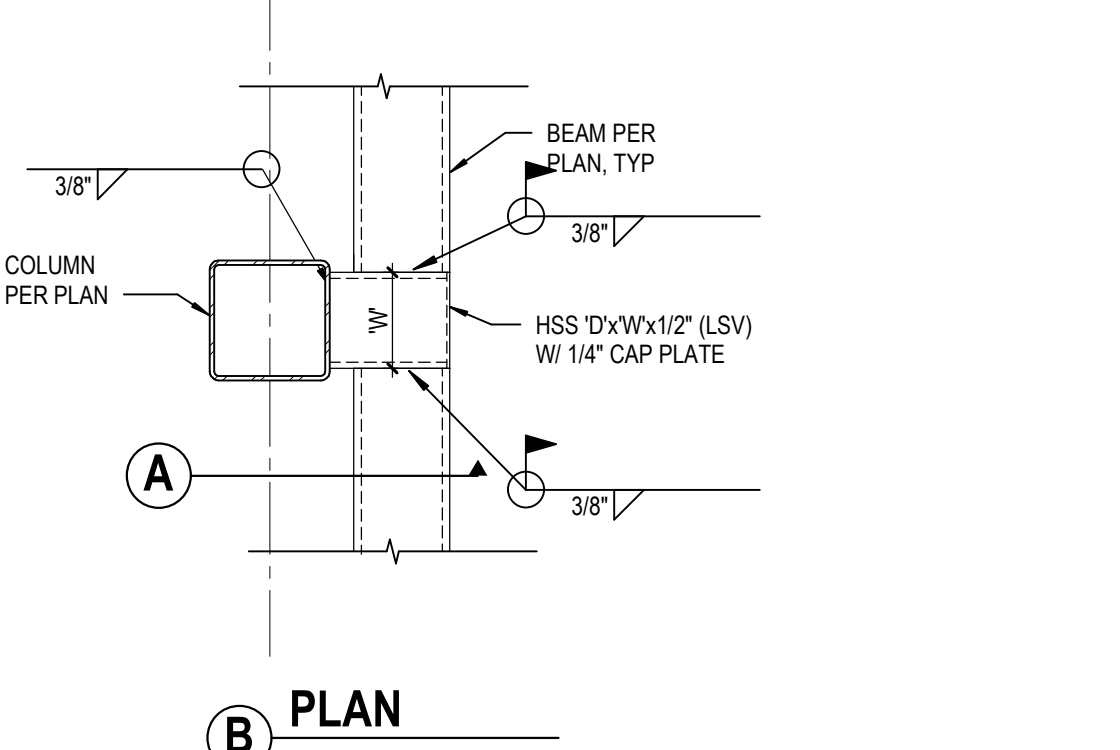
26 TYP BEAM OVER COLUMN DETAIL
 SCALE: 1" = 1'-0"



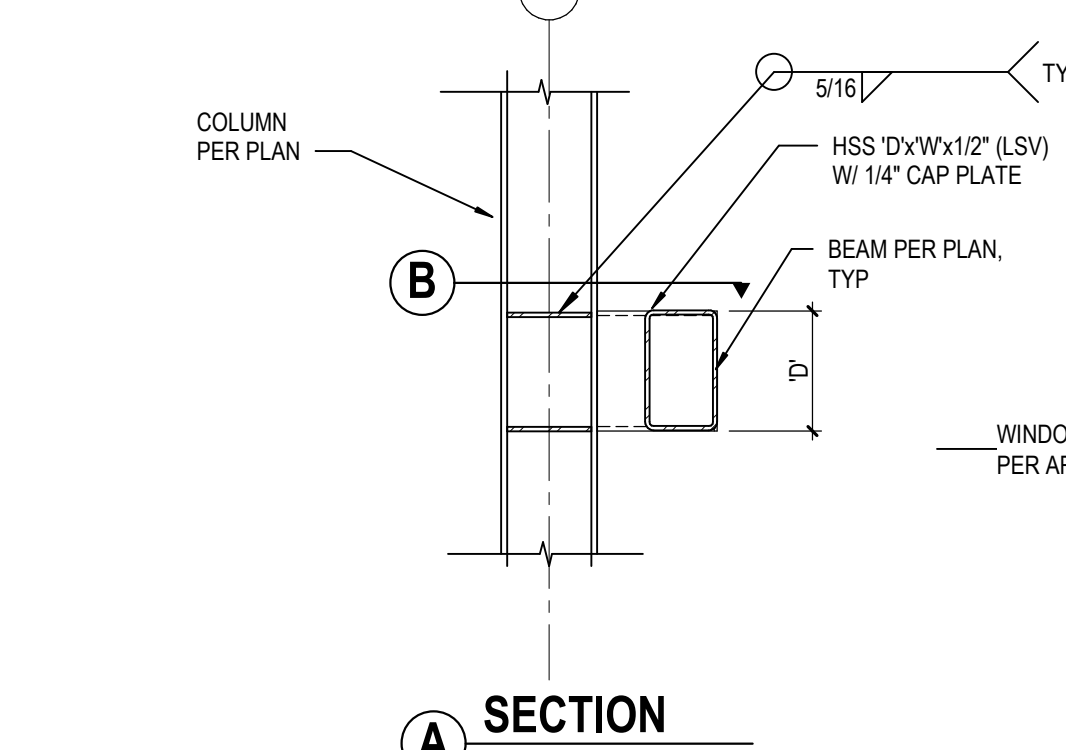
31 TYP HSS BEAM TO HSS COL CONN
 SCALE: 1" = 1'-0"



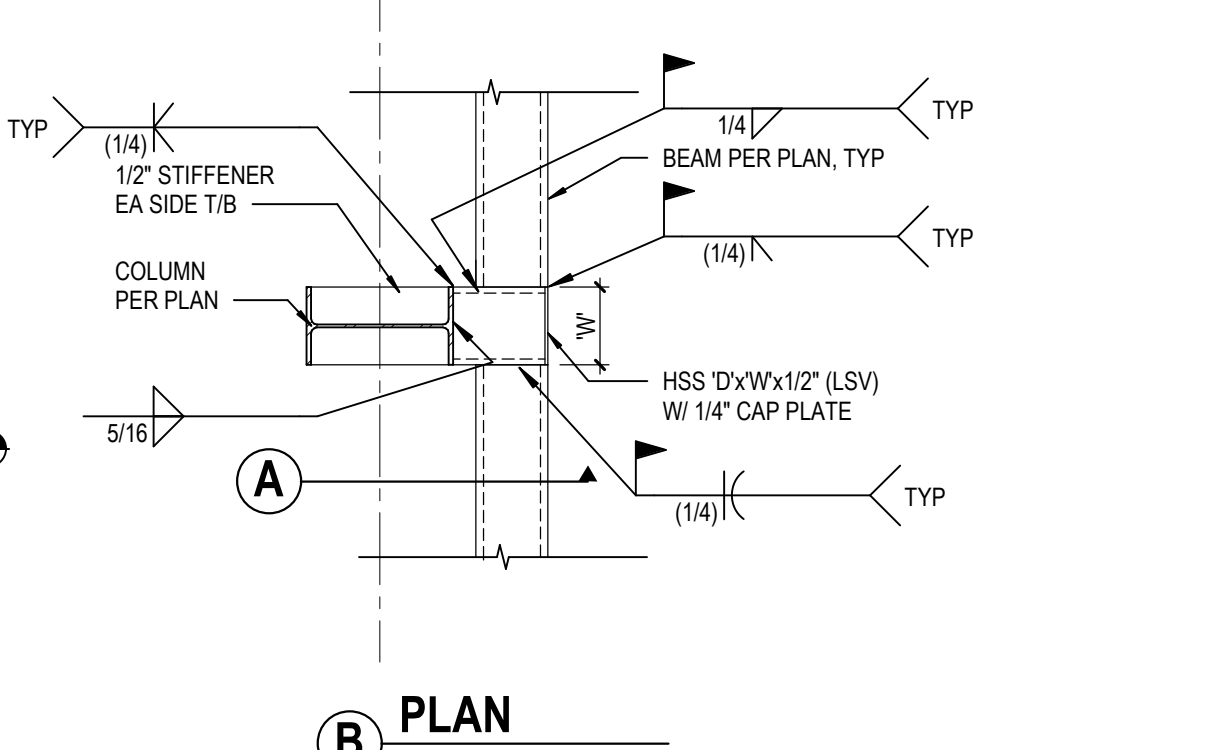
32 TYP HSS BM TO HSS COL CONN DETAIL
 SCALE: 3/4" = 1'-0"



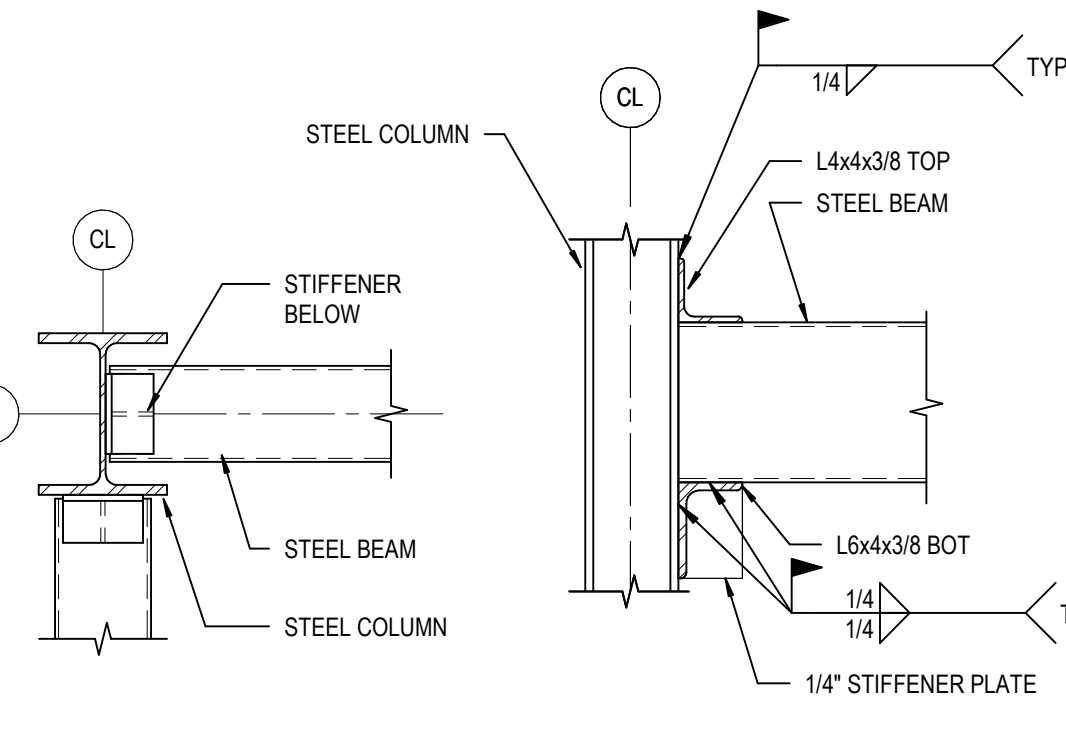
34 TYP CONT BENT PL SPLICE DET
 SCALE: 3/4" = 1'-0"



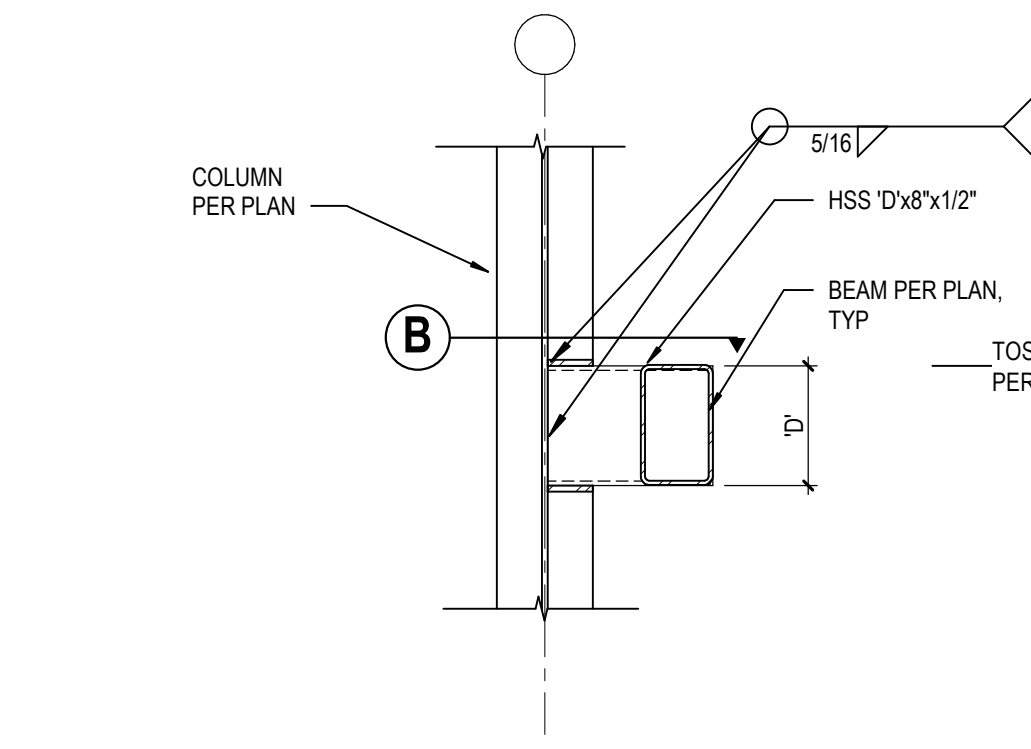
35 TYP HSS BM TO WF COL CONN DETAIL
 SCALE: 3/4" = 1'-0"



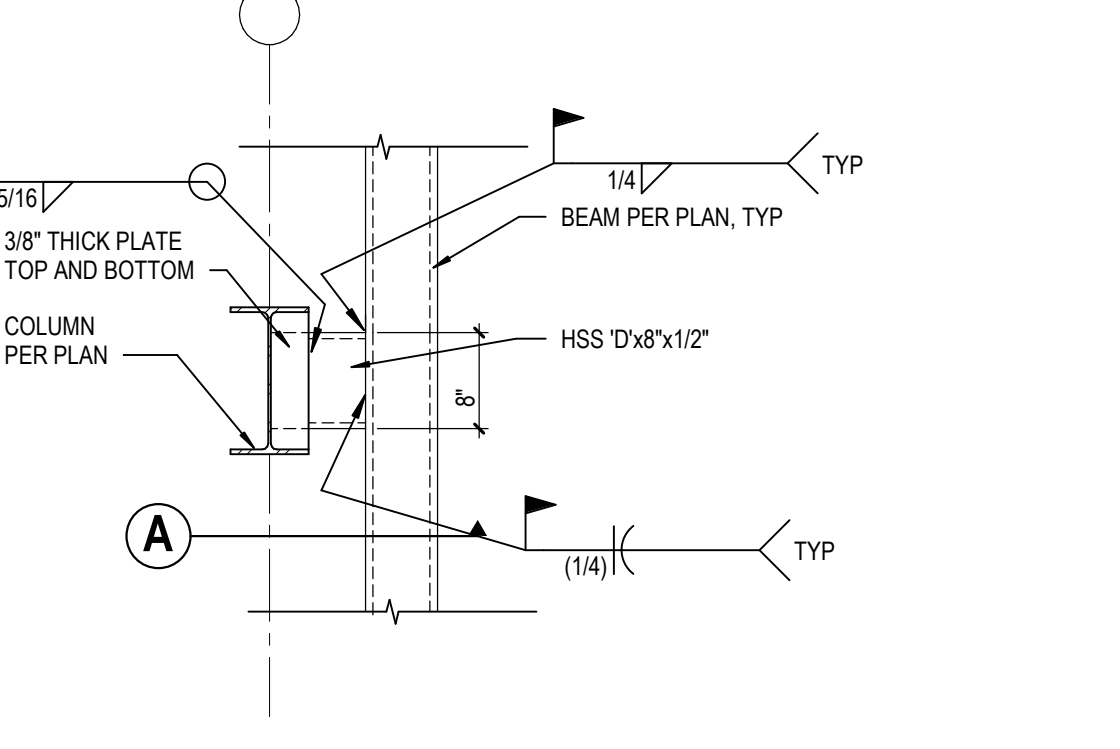
36 TYP WF BEAM TO WF COL FLANGE MOMENT CONN DTL
 SCALE: 3/4" = 1'-0"



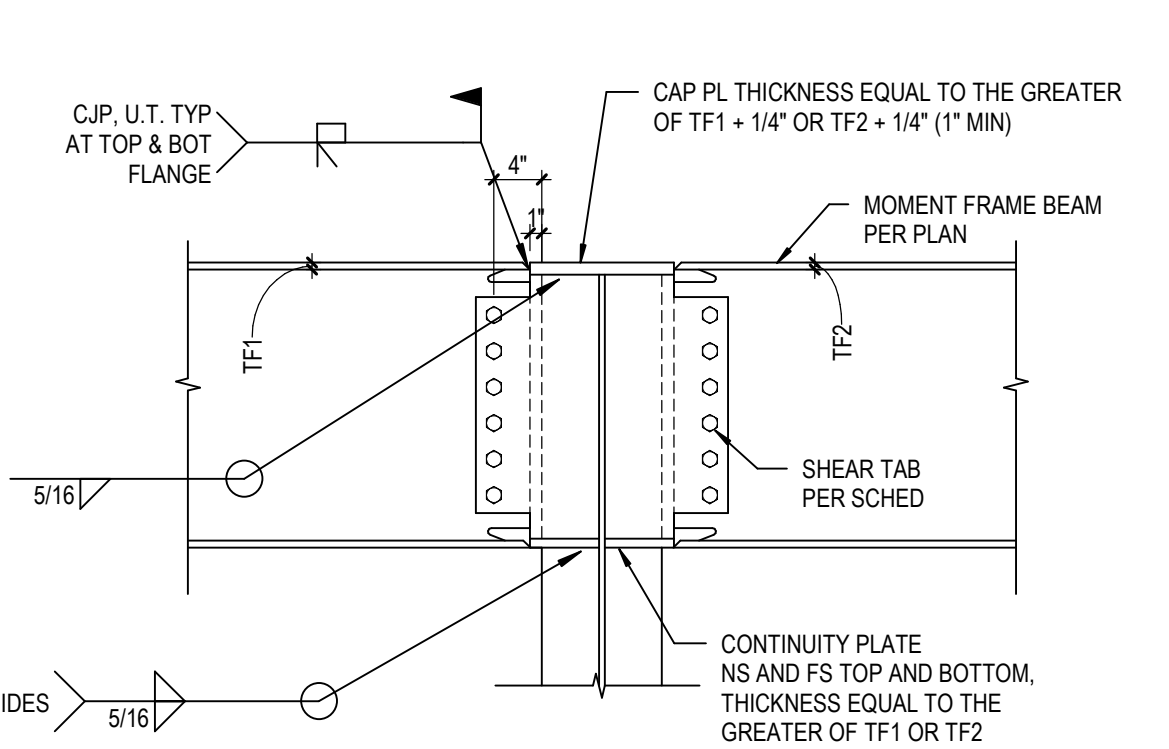
41 TYP HSS BEAM TO WF COL CONN
 SCALE: 1" = 1'-0"



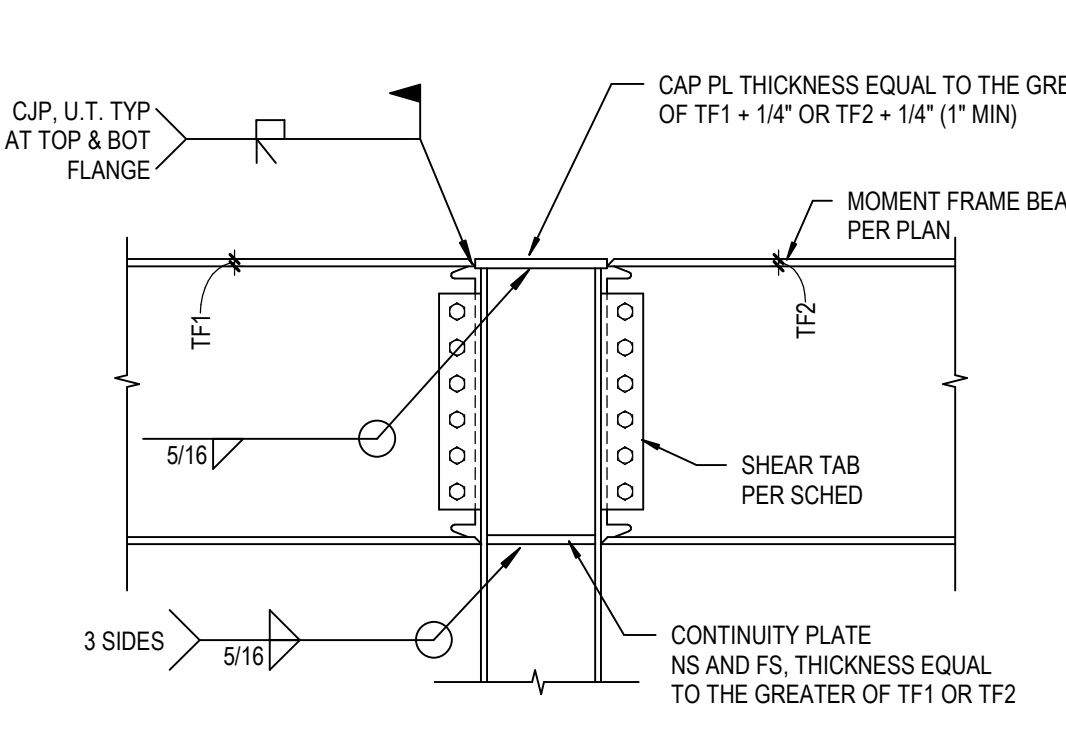
42 TYP HSS BM TO WF COL CONN DETAIL
 SCALE: 3/4" = 1'-0"



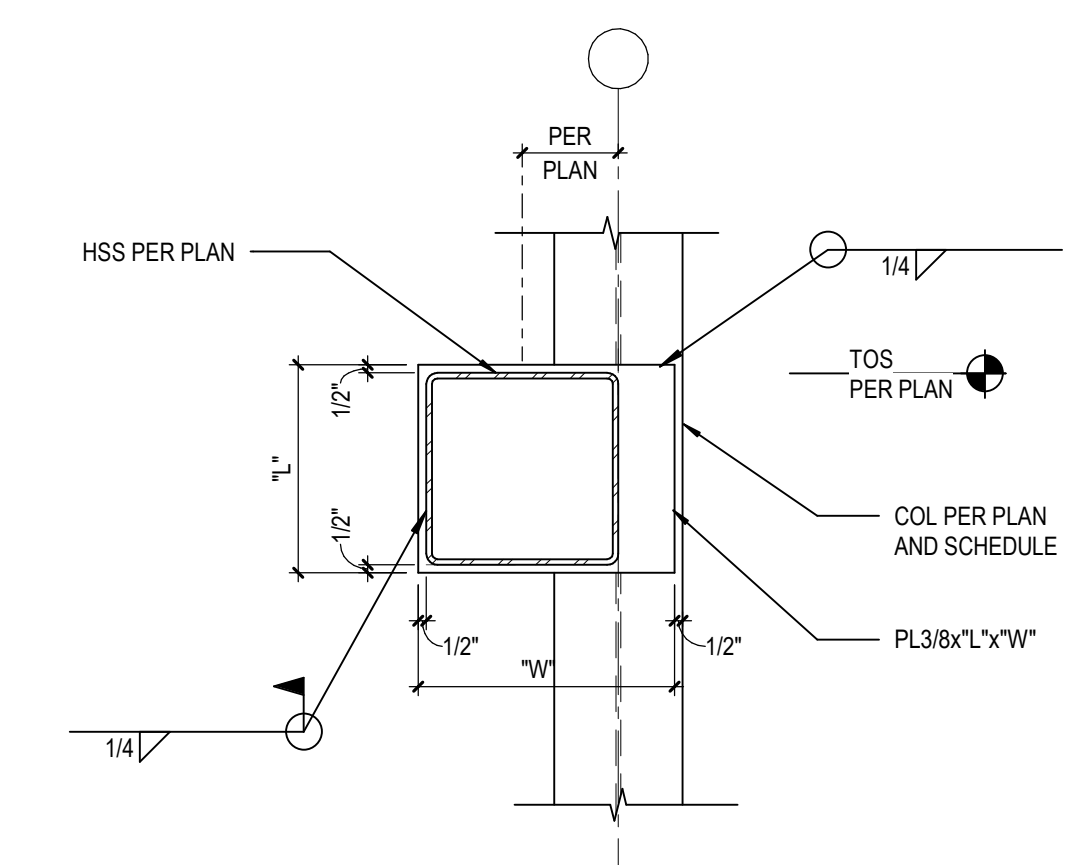
44 TYP WF BEAM TO WF COL WEB MOMENT CONN DTL
 SCALE: 3/4" = 1'-0"



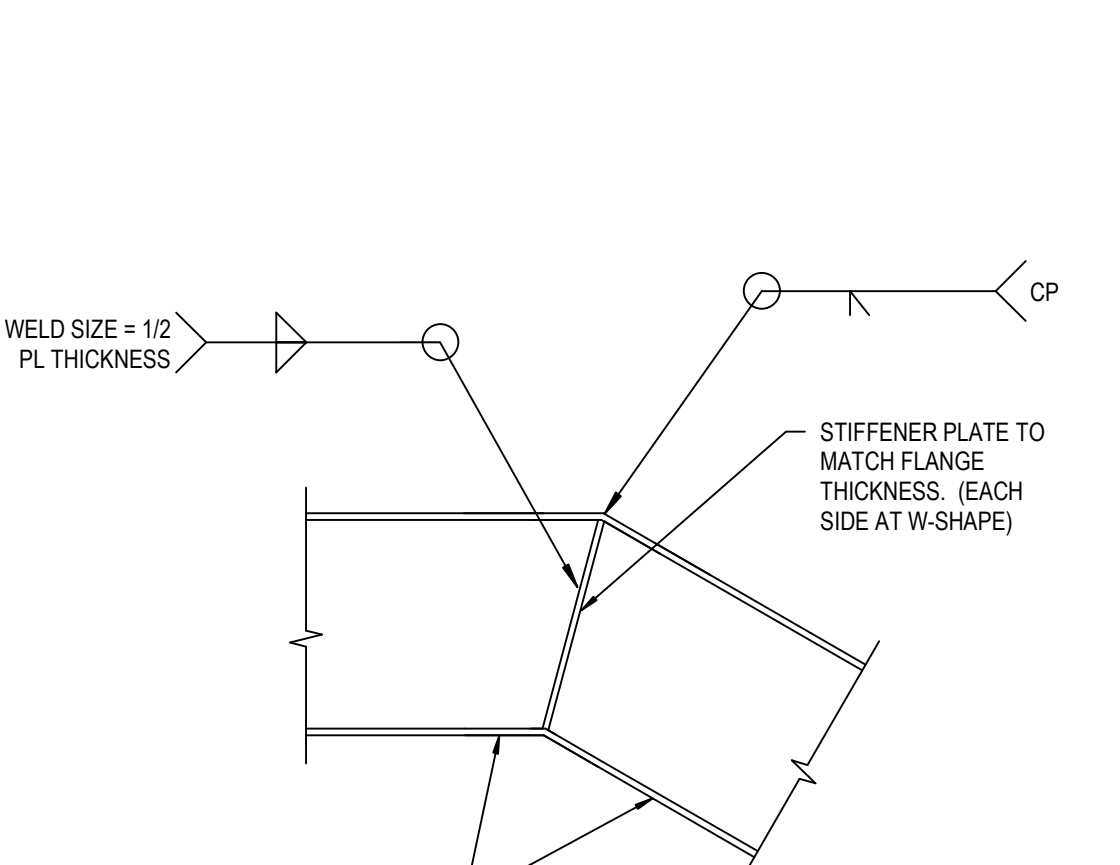
45 TYP WF BEAM TO WF COL FLANGE MOMENT CONN DTL
 SCALE: 3/4" = 1'-0"



46 TYP WF BEAM TO HSS COL MOMENT CONN DETAIL
 SCALE: 3/4" = 1'-0"



51 TYP OFFSET HSS TO WF COL CONN DTL
 SCALE: 1" = 1'-0"



53 BEAM MITER OR SPLICE DETAIL
 SCALE: 1" = 1'-0"



B:\13-20102-00\Lee's Summit Middle School 4/13/20/10/20_Leaf's Summit Middle School_4_S1_2020.rvt
 10/7/2020 4:37:52 PM

A. BEAMS:

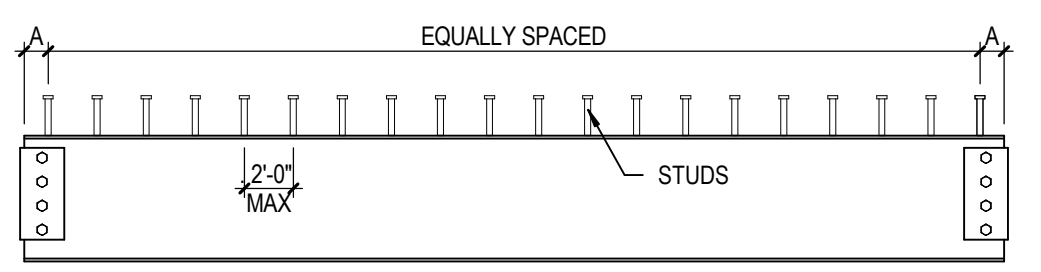
1. THE NUMBER SHOWN THIS (NO) FOLLOWING THE BEAM SIZE INDICATES THE NUMBER OF 3/4" HEADED STUDS TO BE PLACED ON THE BEAM. ALL BEAMS (AND GIRDERS) SHALL HAVE HEADED STUDS ATTACHED TO THE TOP FLANGE. IF NO SPECIFIC STUD QUANTITY IS NOTED ON PLANS, THE MAXIMUM STUD SPACING SHALL BE 2'-0" O.C. DECK VALLEYS WITHOUT STUDS SHALL BE WELDED.

2. STUD PLACEMENT SHALL BE AS FOLLOWS:

A. NUMBER OF STUDS IS LESS THAN THE NUMBER OF DECK VALLEYS. UNIFORMLY SPACE STUDS SYMMETRICALLY WITH THE BEAM CENTERLINE.

B. NUMBER OF STUDS IS GREATER THAN THE NUMBER OF DECK VALLEYS. PLACE ONE STUD IN EACH VALLEY STARTING AT THE ENDS OF THE BEAM. WHEN TWO STUDS ARE REQUIRED, PLACE STUDS 1 1/2' EACH SIDE OF THE BEAM WEB.

NOTE: SPACE 'A' TO COORDINATE WITH DECK LAYOUT.



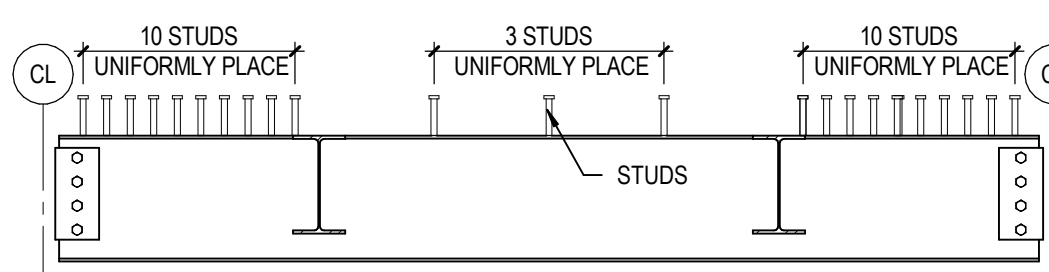
EXAMPLE LAYOUT

11 TYP STUD PLACEMENT DETAIL
S4.2 SCALE: 1/2" = 1'-0"

B. GIRDERS:

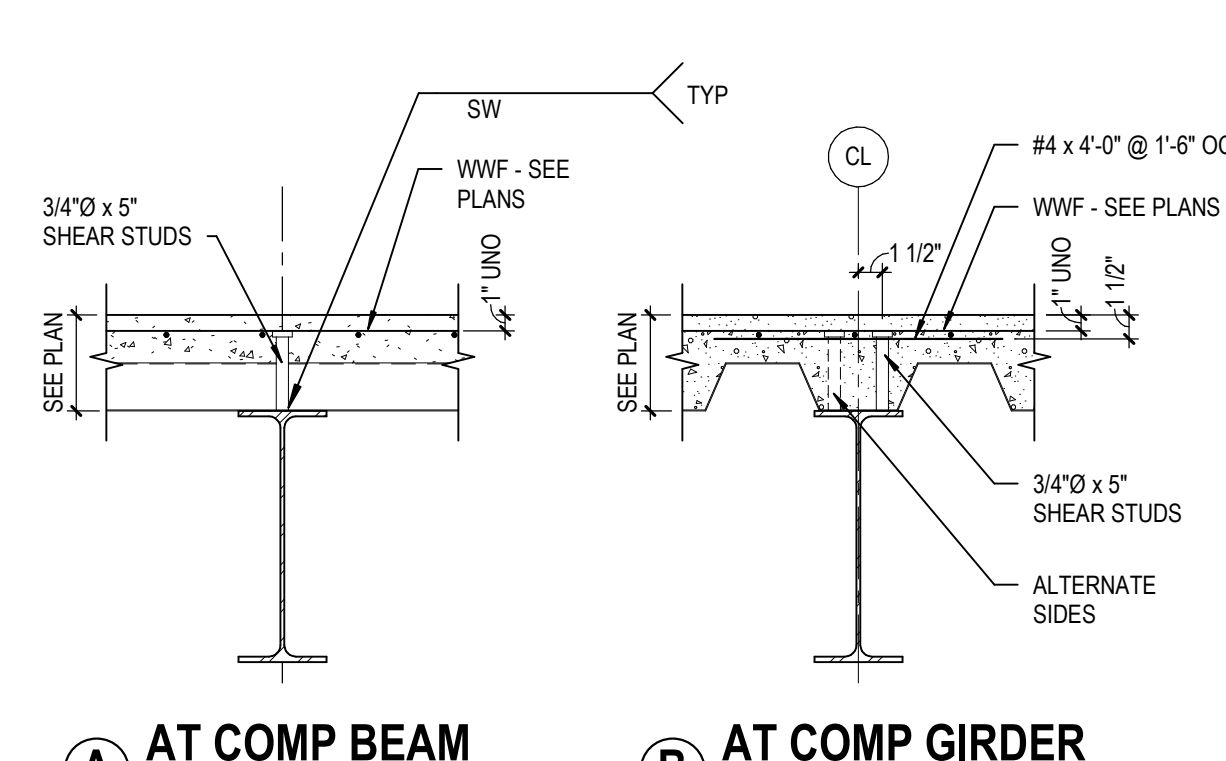
1. THE SERIES OF NUMBERS SHOWN THIS (NO,NO) FOLLOWING THE GIRDER SIZE WHEN ADDED TOGETHER, REPRESENT THE TOTAL NUMBER OF STUDS TO BE PLACED ON THE GIRDER. FOR EXAMPLE, (10,3-10) REPRESENTS THE TOTAL OF 23 STUDS TO BE PLACED ON THE GIRDER. THE FIRST AND LAST NUMBERS REPRESENTS THE NUMBER OF STUDS TO BE PLACED BETWEEN THE END OF THE GIRDER AND THE FIRST OR LAST INTERSECTING BEAM. THE MIDDLE NUMBER REPRESENTS THE NUMBER OF STUDS TO BE LOCATED BETWEEN THE TWO INTERSECTING BEAMS.

2. PLACE STUDS UNIFORMLY ALONG THE BEAMS OR PORTION OF BEAM INDICATED. CENTER THE STUDS OVER THE WEB AND PROVIDE A MAXIMUM SPACING OF 2'-0" AND A MINIMUM SPACING OF 4'-12". IF THE REQUIRED NUMBER OF STUDS EXCEEDS WHAT CAN BE PLACED AT 4'-12", PLACE A SECOND ROW OF STUDS SPACED AT 4'-12" CENTERS STARTING AT THE END OF THE BEAM UNTIL THE REQUIRED NUMBER OF STUDS IS REACHED. WHEN TWO ROWS OF STUDS ARE REQUIRED, PLACE STUDS 1 1/2' EACH SIDE OF THE BEAM CENTERLINE.

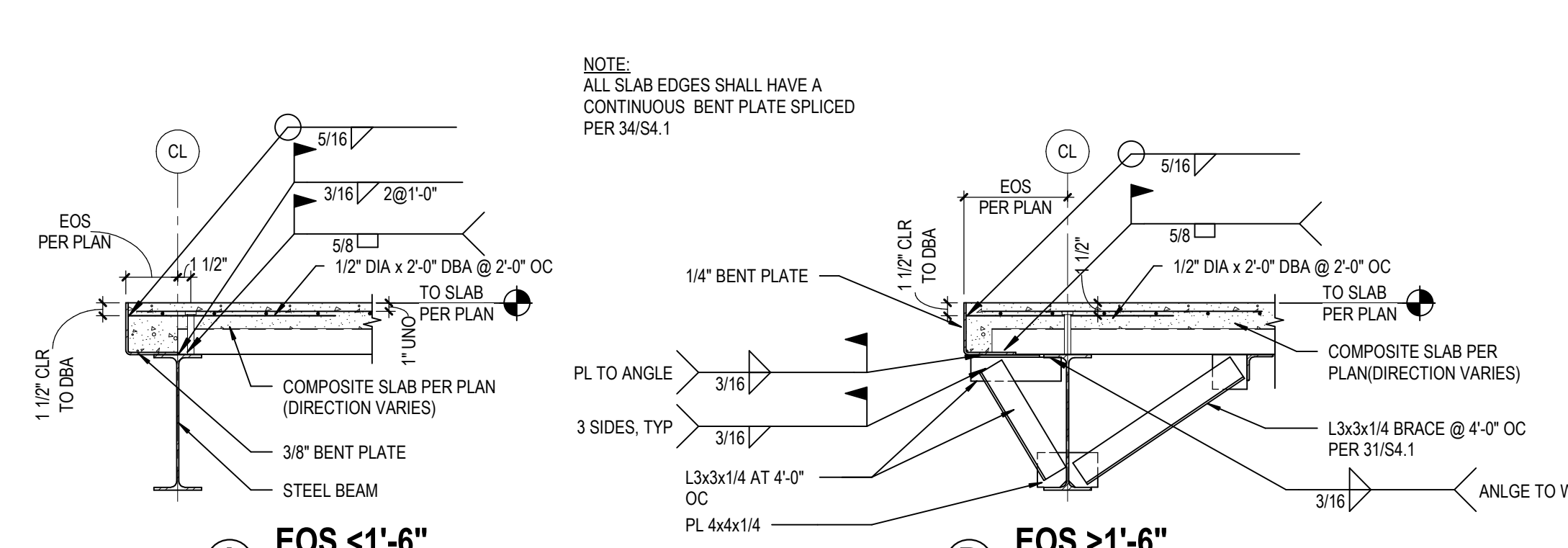


EXAMPLE LAYOUT

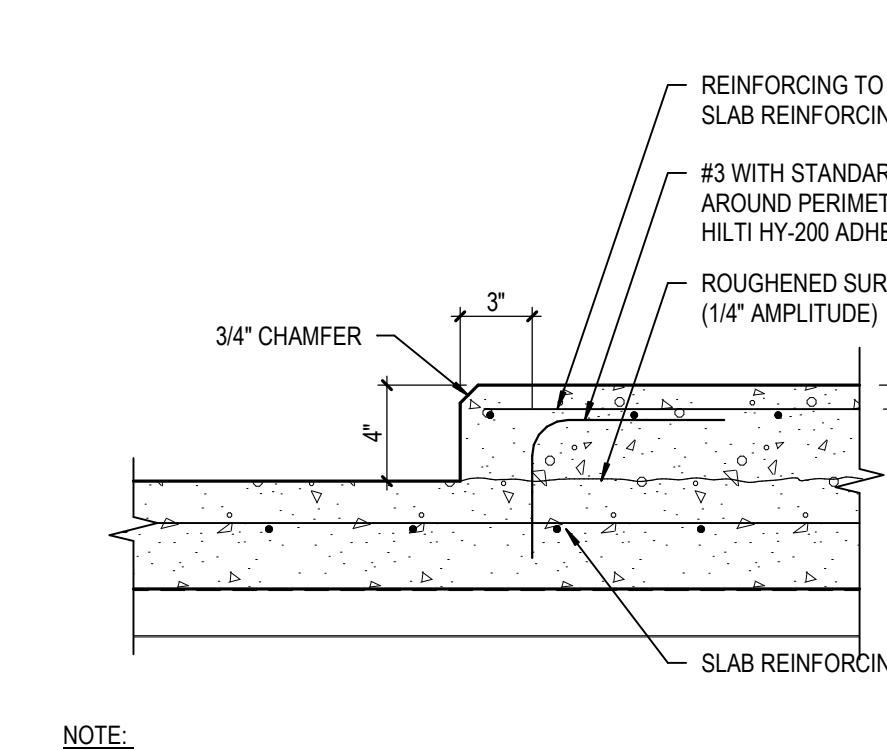
12 TYP STUD PLACEMENT DETAIL
EXAMPLE: (10,3-10)



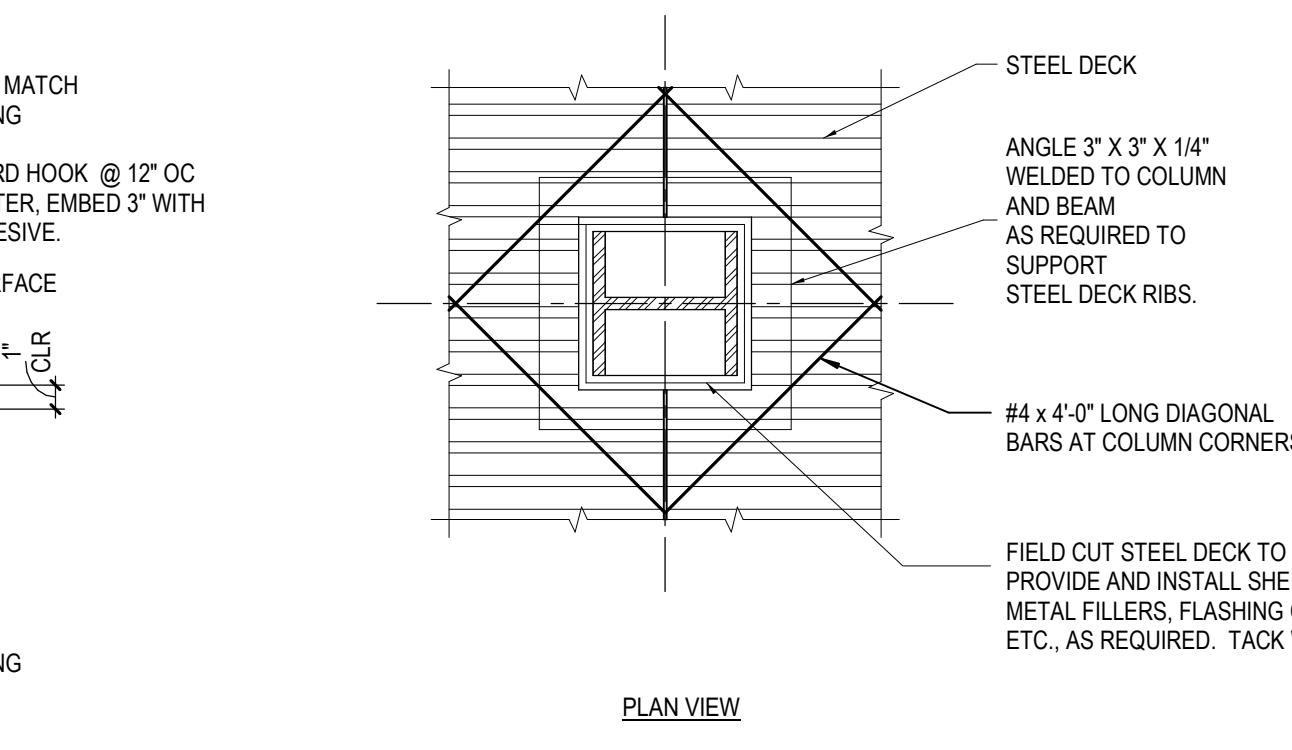
13 TYP COMPOSITE BM & GIRDER DETAIL
SCALE: 1" = 1'-0"



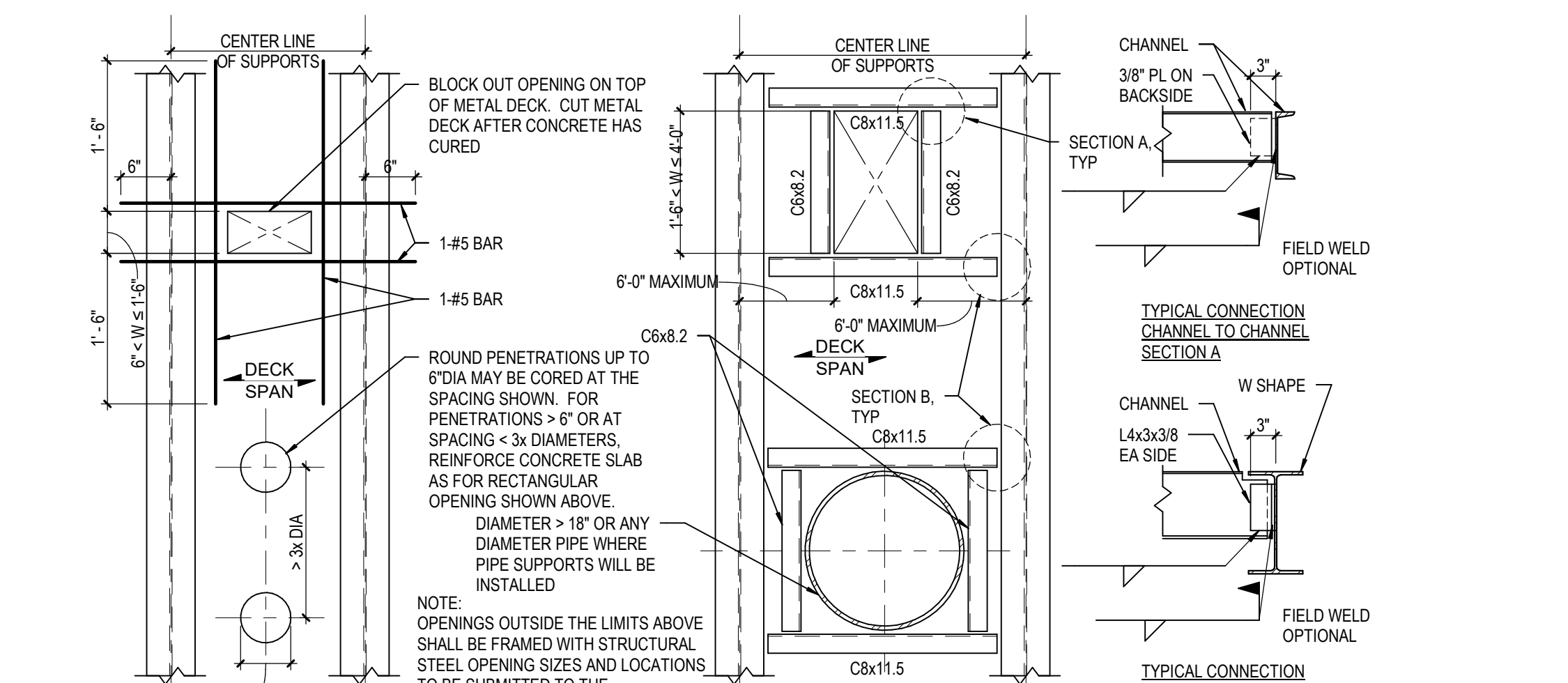
14 TYP SLAB EDGE DETAIL
SCALE: 3/4" = 1'-0"



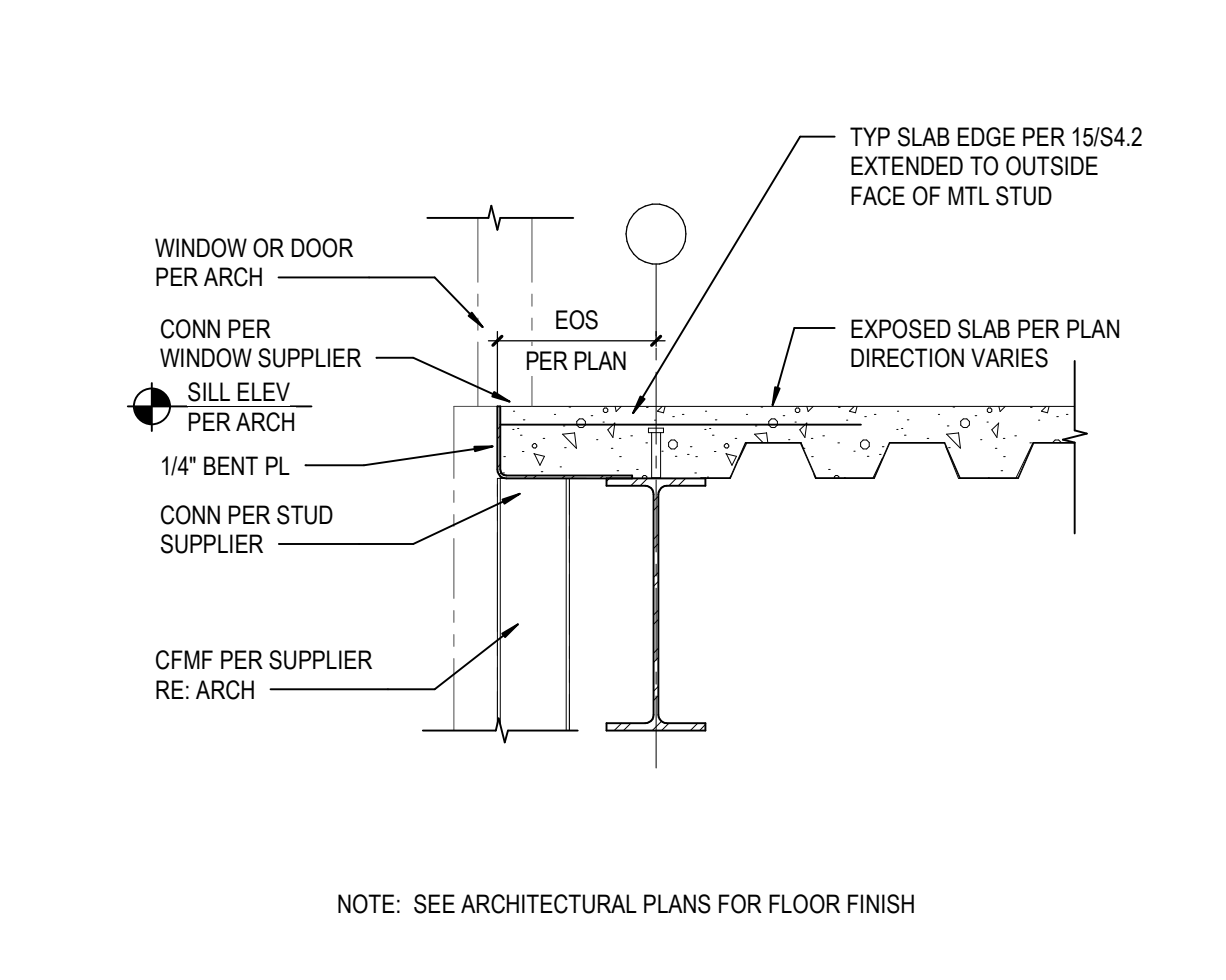
NOTE: VERIFY SIZE AND LOCATION WITH MECHANICAL OR ELECTRICAL CONTRACTOR



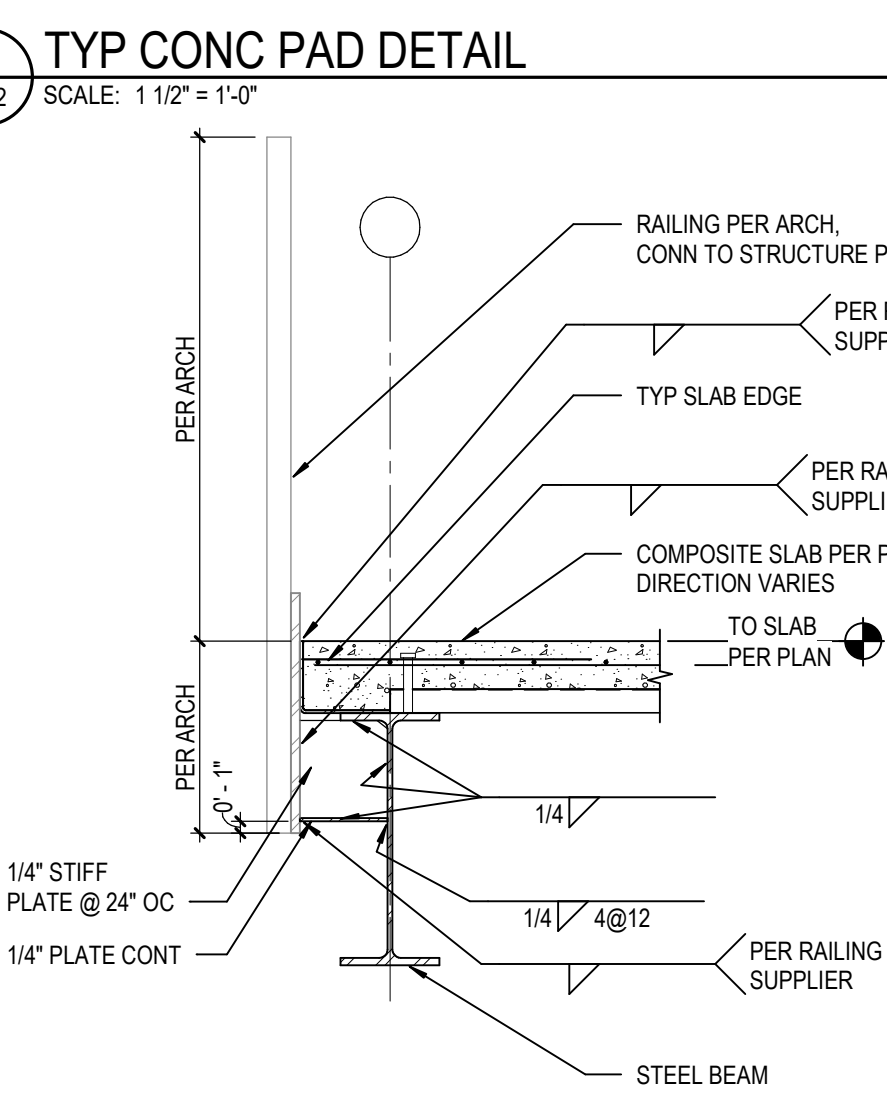
NOTE: VERIFY SIZE AND LOCATION WITH MECHANICAL OR ELECTRICAL CONTRACTOR



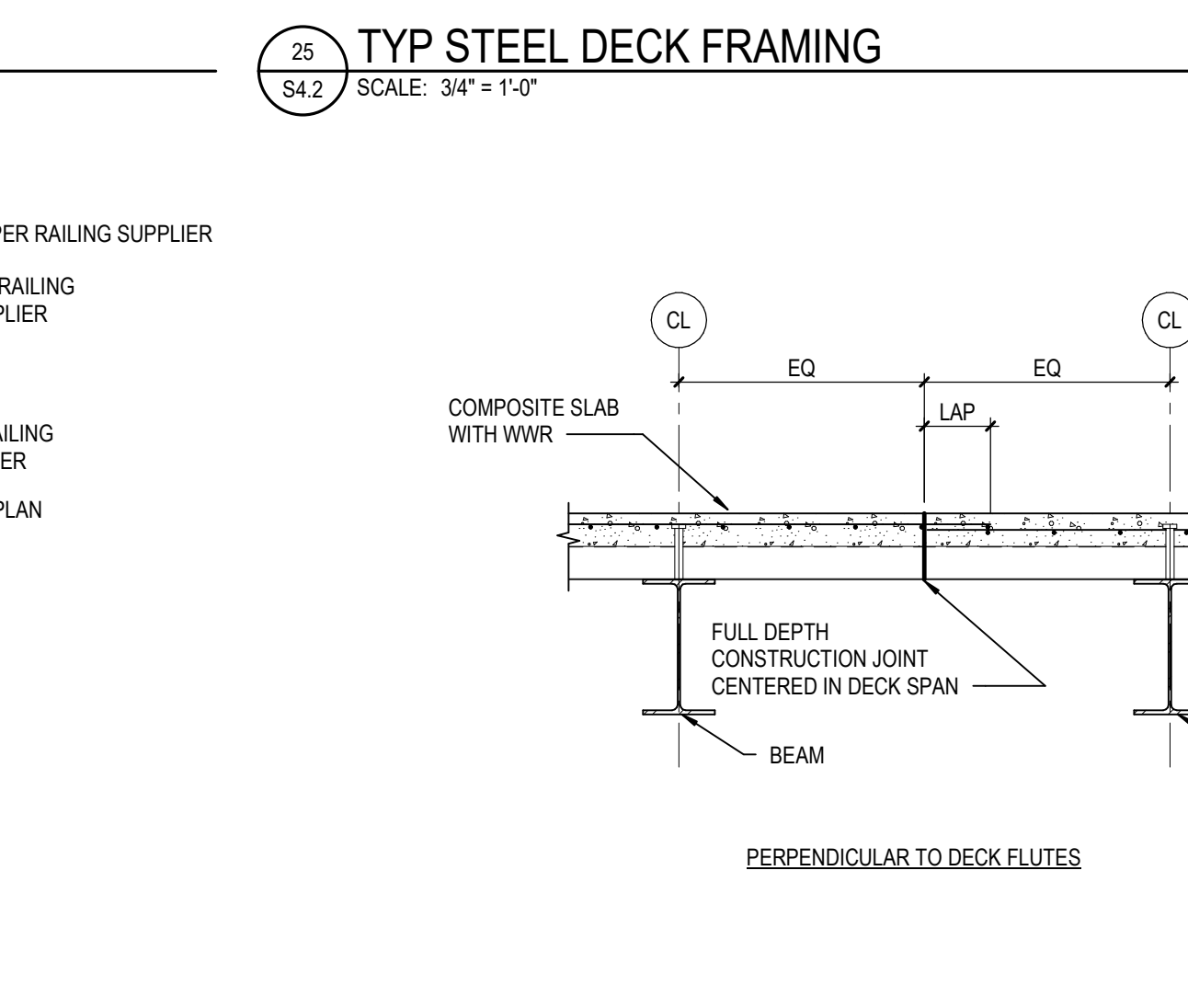
15 TYP REINFORCING AT FLOOR PENETRATIONS
SCALE: 3/4" = 1'-0"



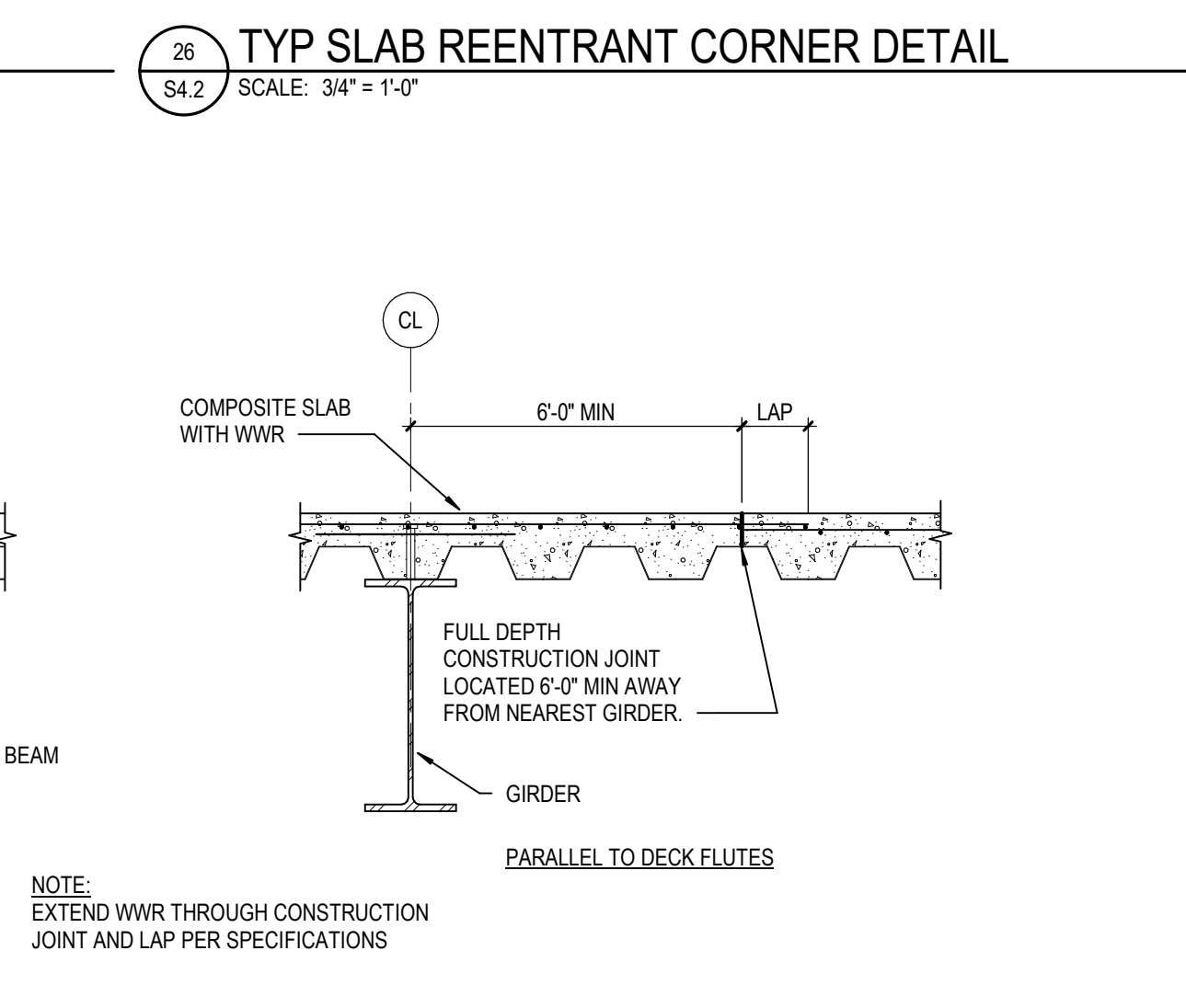
16 TYP WINDOW AT FLOOR SLAB DETAIL
SCALE: 3/4" = 1'-0"



17 TYP RAILING DETAIL
SCALE: 3/4" = 1'-0"



18 TYP CONSTRUCTION JOINT IN COMPOSITE SLAB
SCALE: 3/4" = 1'-0"



19 TYP SLAB REENTRANT CORNER DETAIL
SCALE: 3/4" = 1'-0"

20 BAR TO PLATE WELD SCHEDULE

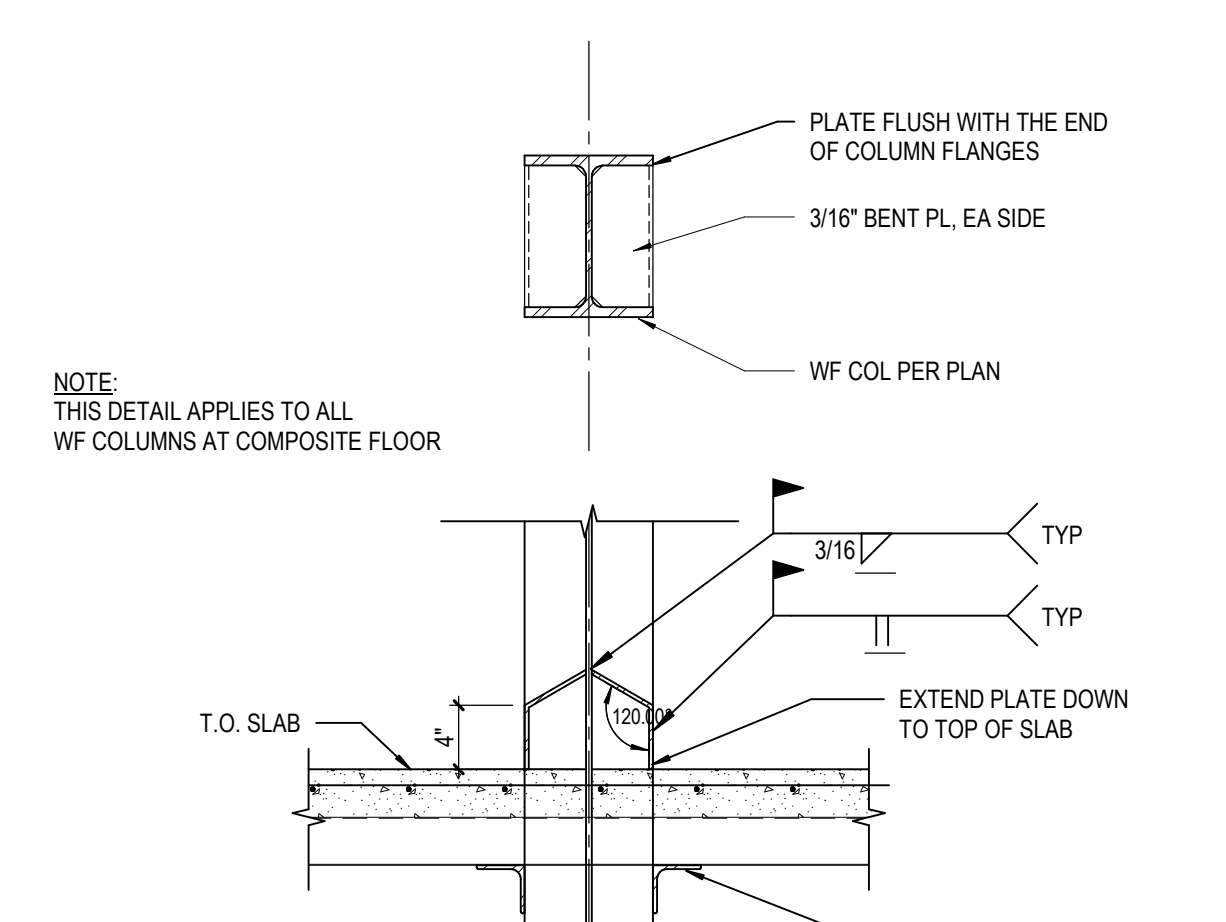
BAR SIZE	WELD SIZE (IN)	MIN PLATE THICKNESS (IN)	PLATE THICKNESS (IN)
3	1/4	5/16	5/16
4	5/16	5/16	5/16
5	3/8	5/16	5/16
6	7/16	3/8	3/8
7	1/2	1/2	1/2
8	9/16	1/2	1/2
9	5/8	5/8	5/8
10	11/16	5/8	5/8
11	3/4	3/4	3/4

21 TYP ELEVATOR SHAFT DETAIL
SCALE: 3/4" = 1'-0"

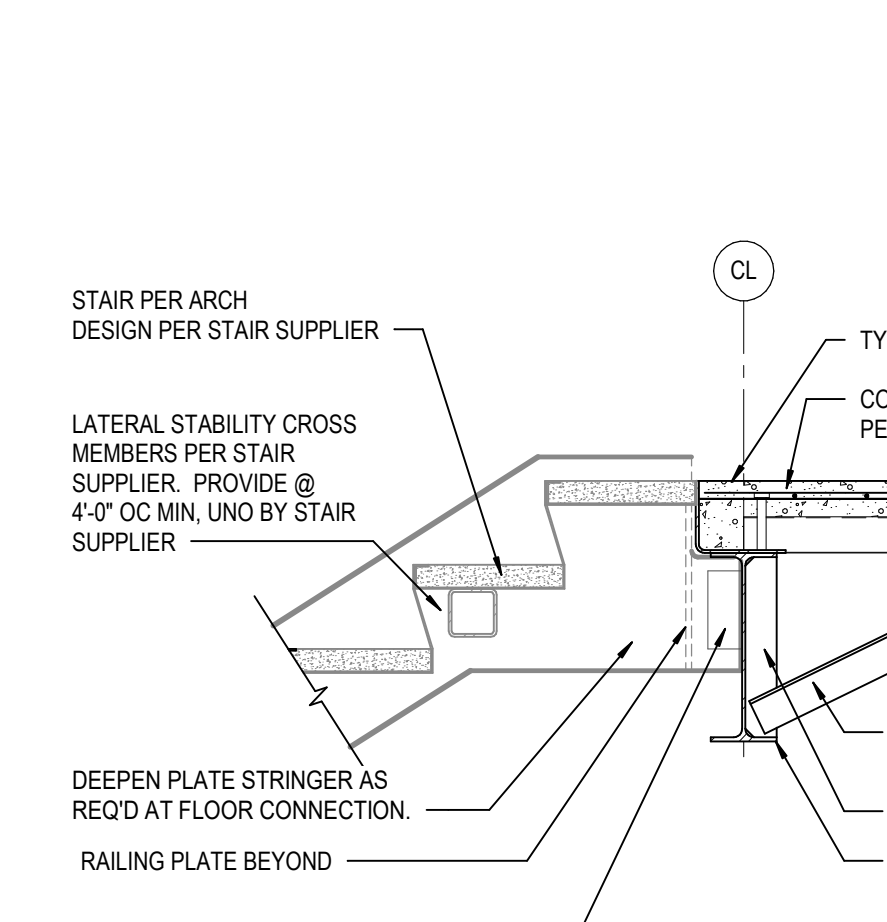
22 WELD PARALLEL TO BAR SCHED

ELECTRODE	PL THICKNESS (IN)	MINIMUM LENGTH OF WELD (IN)	MIN SPLICE LENGTH (IN)
E70	3/16	1 1/2	3
	1/4	2	4 1/2
	5/16	2 1/2	5 1/4
	3/8	3	6
	7/16	3 3/4	6 3/4
	1/2	4	7 1/2
	5/8	4 1/4	8 1/4
	3/4	5 1/4	9 3/4
	7/8	6 1/4	10 1/2
	1 1/8	7 3/4	12 1/2
	1 1/4	9 1/4	15 1/4
	1 3/8	11 1/4	18 1/4

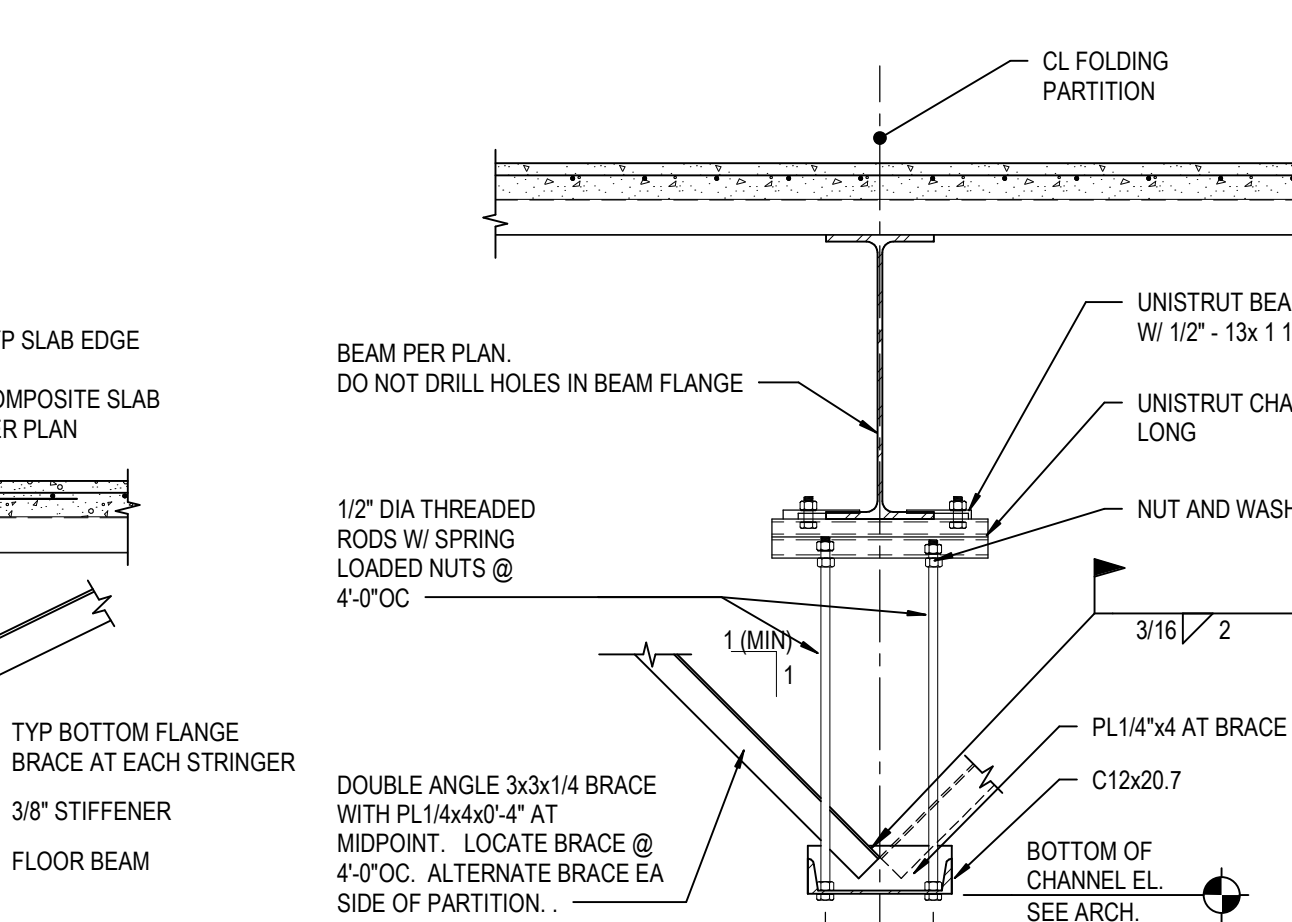
23 TYP WF BASE CLOSURE PLATE DETAIL
SCALE: 1" = 1'-0"



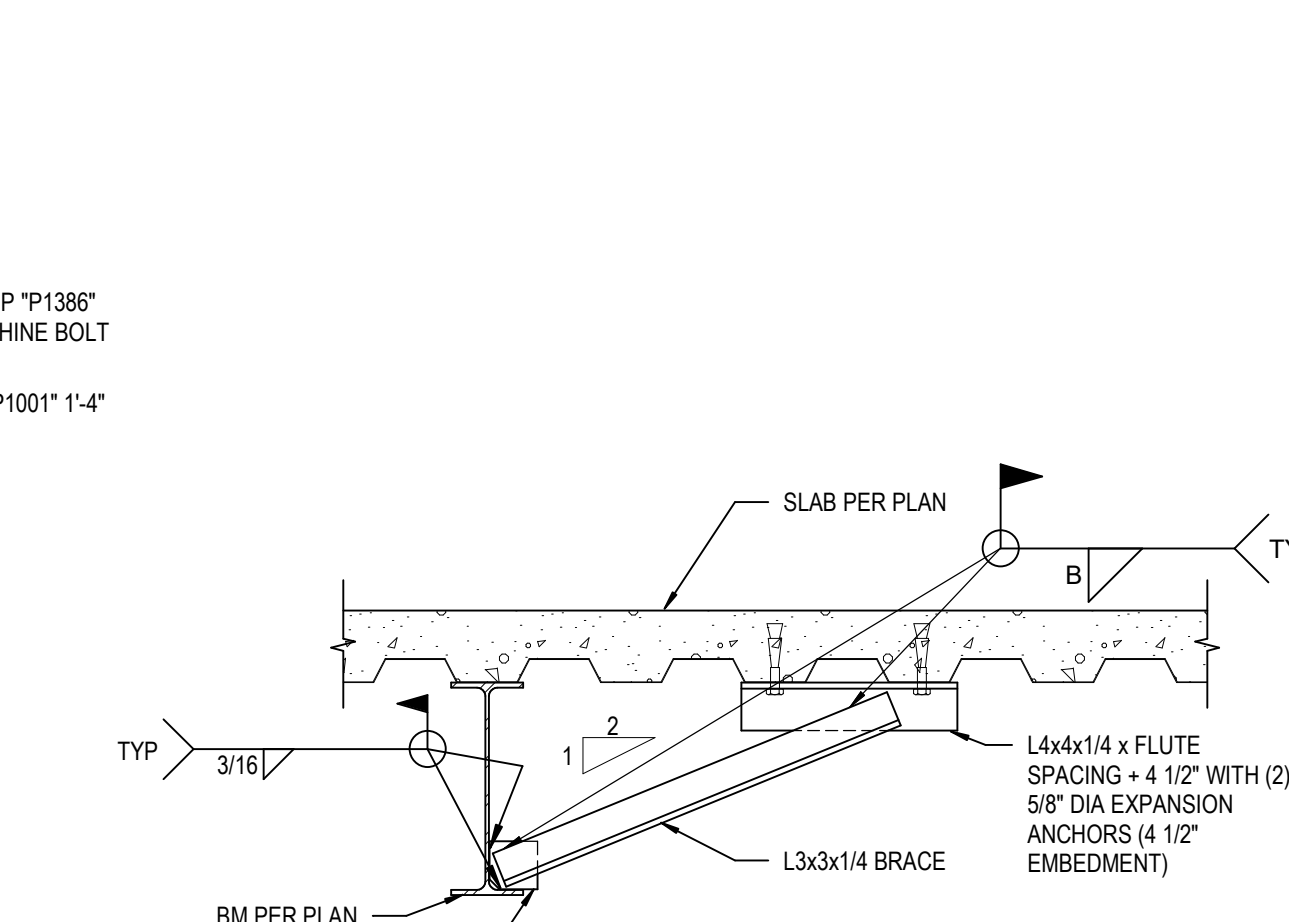
24 TYP WF BASE CLOSURE PLATE DETAIL
SCALE: 1" = 1'-0"



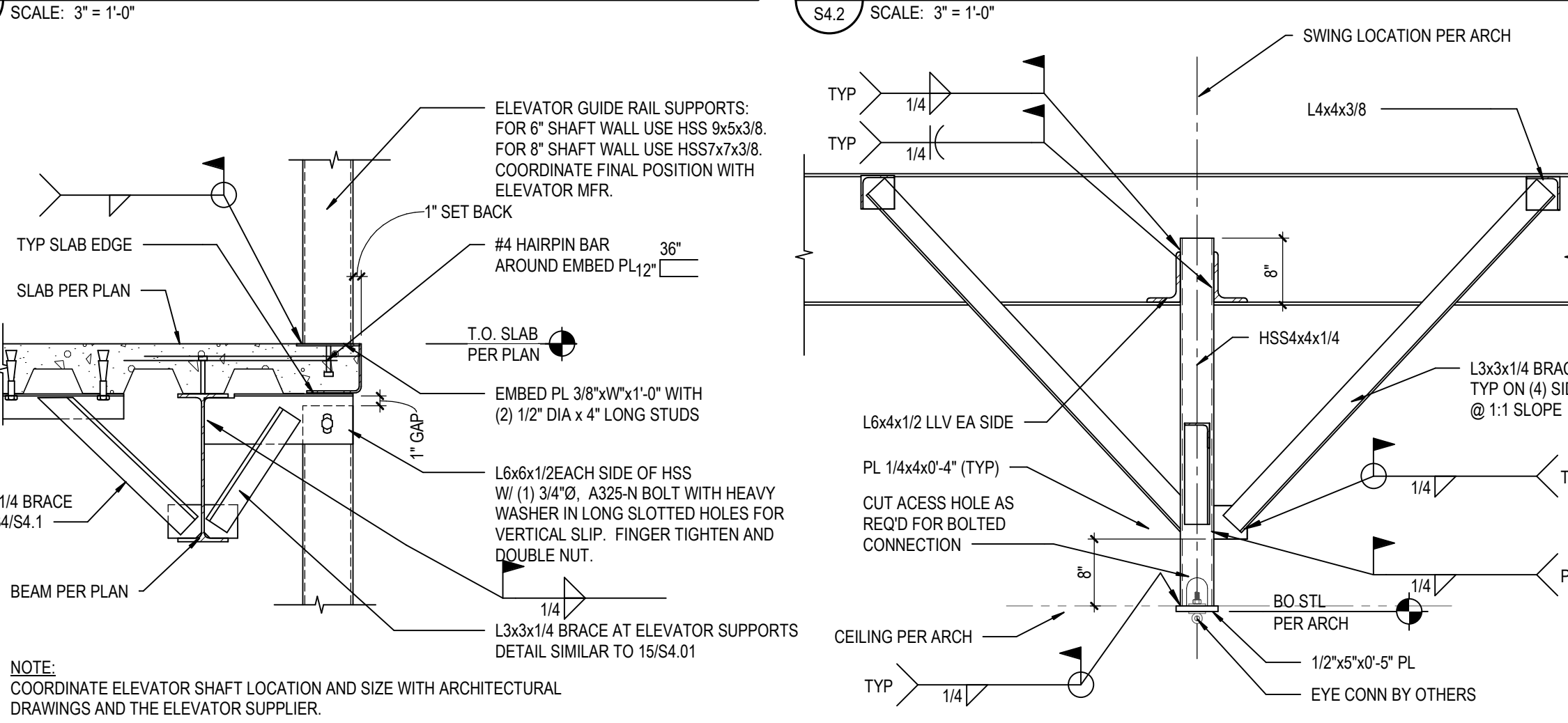
25 TYP STAIR CONN TO FLOOR SLAB DETAIL
SCALE: 3/4" = 1'-0"



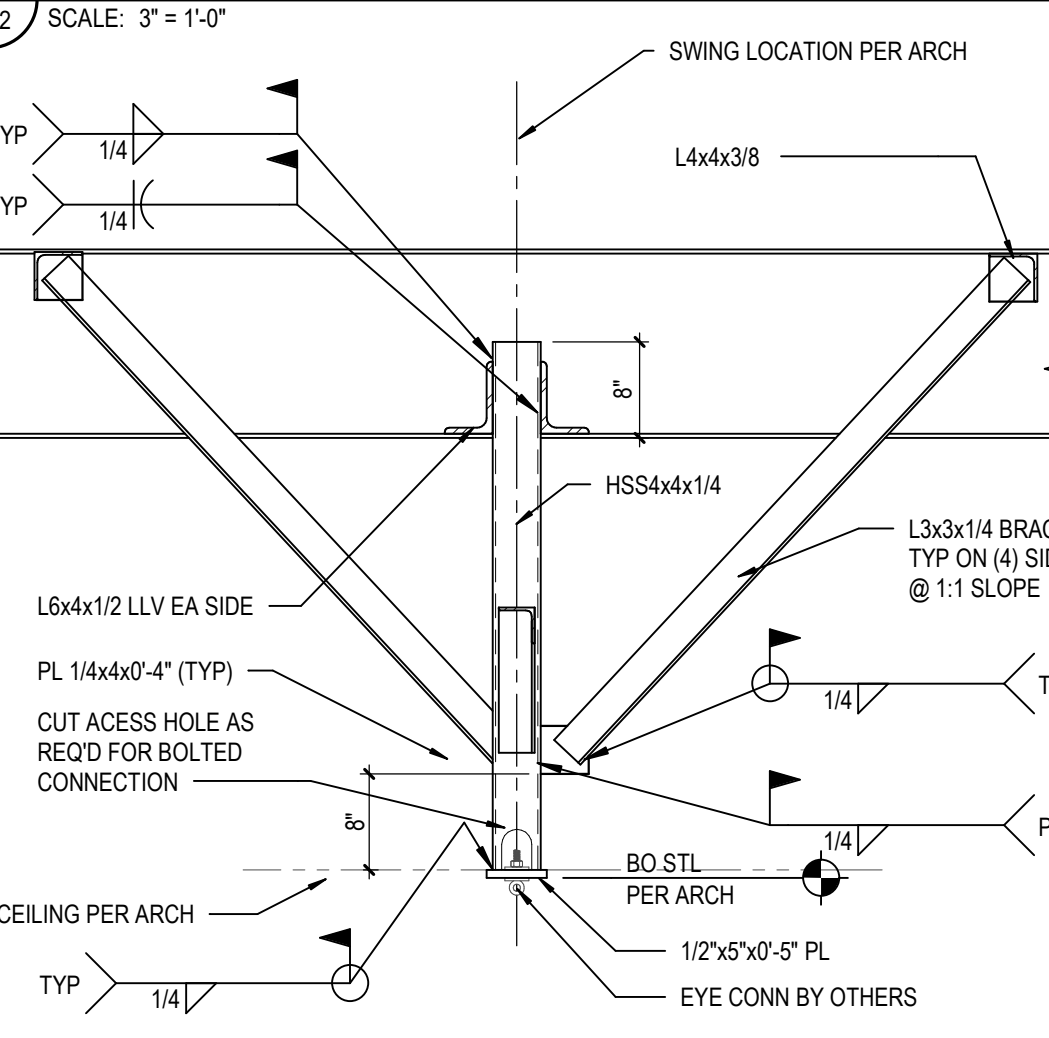
26 TYP OPERABLE PARTITION SUPPORT DETAIL
SCALE: 3/4" = 1'-0"



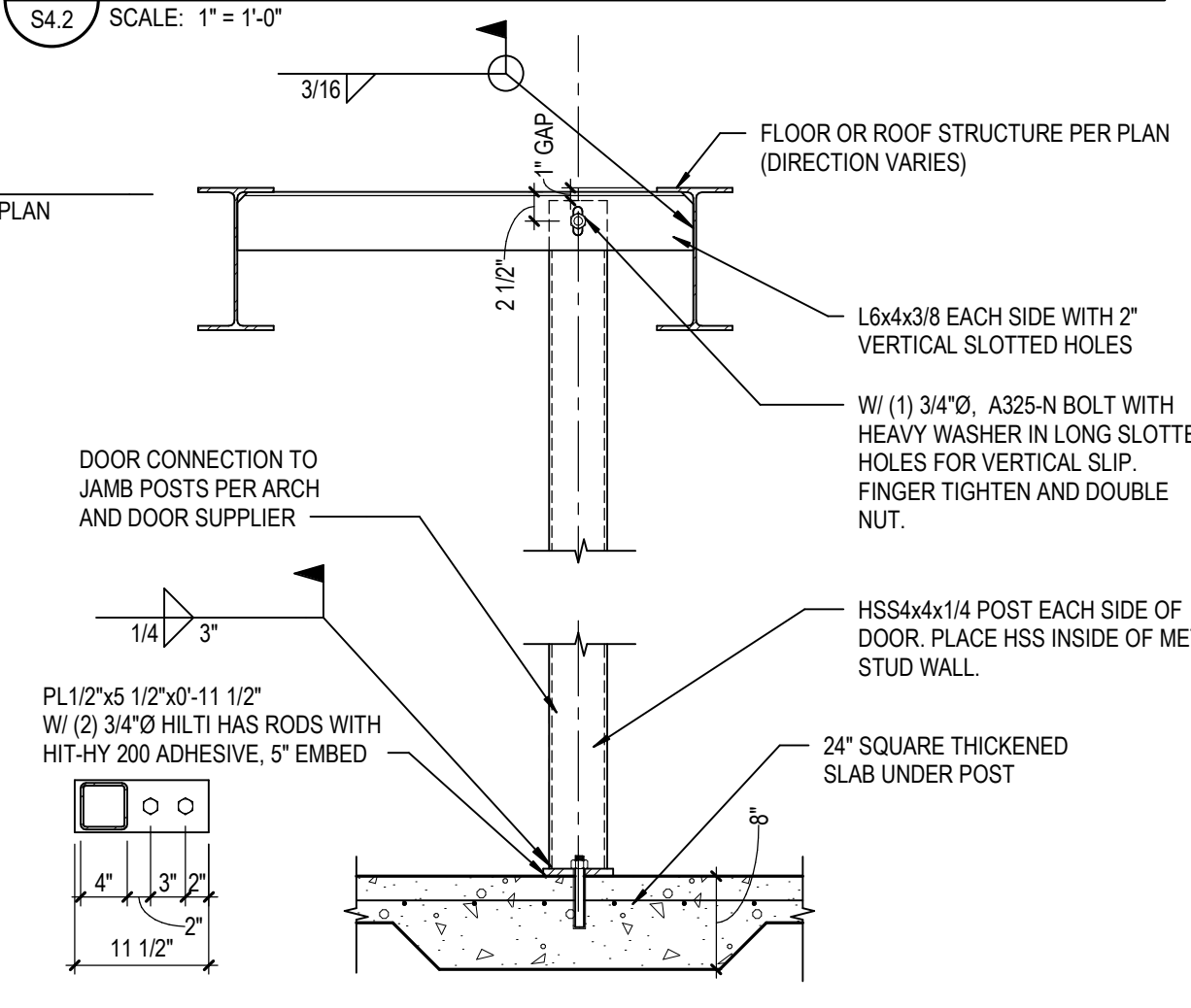
27 TYP BEAM PARALLEL TO DECK SPAN



28 TYP OVERHEAD DOOR SUPPORT DETAIL
SCALE: 3/4" = 1'-0"



29 TYP SWING SUPPORT DETAIL
SCALE: 3/4" = 1'-0"

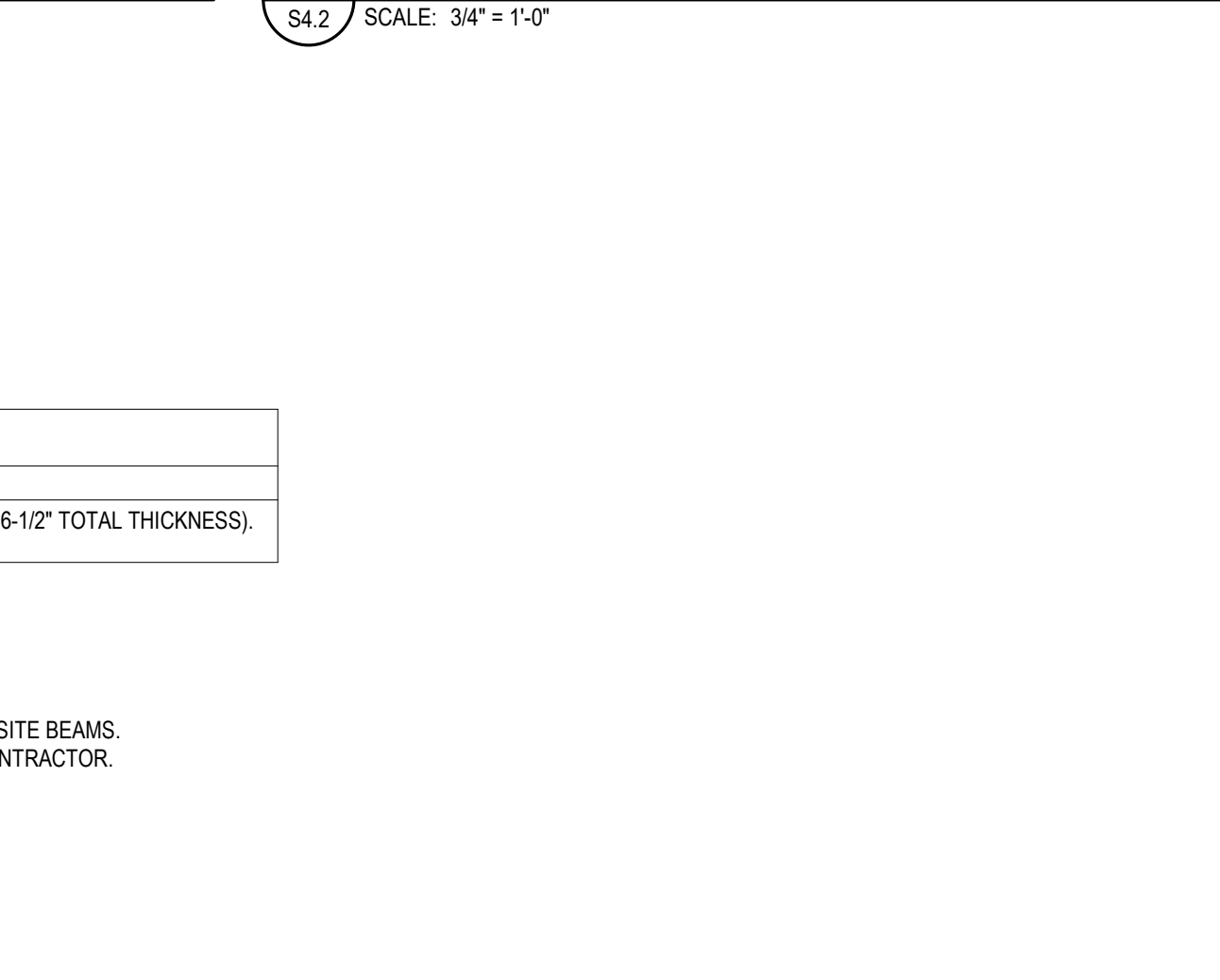


30 COMPOSITE FLOOR SLAB SCHEDULE
SCALE: 3/4" = 1'-0"

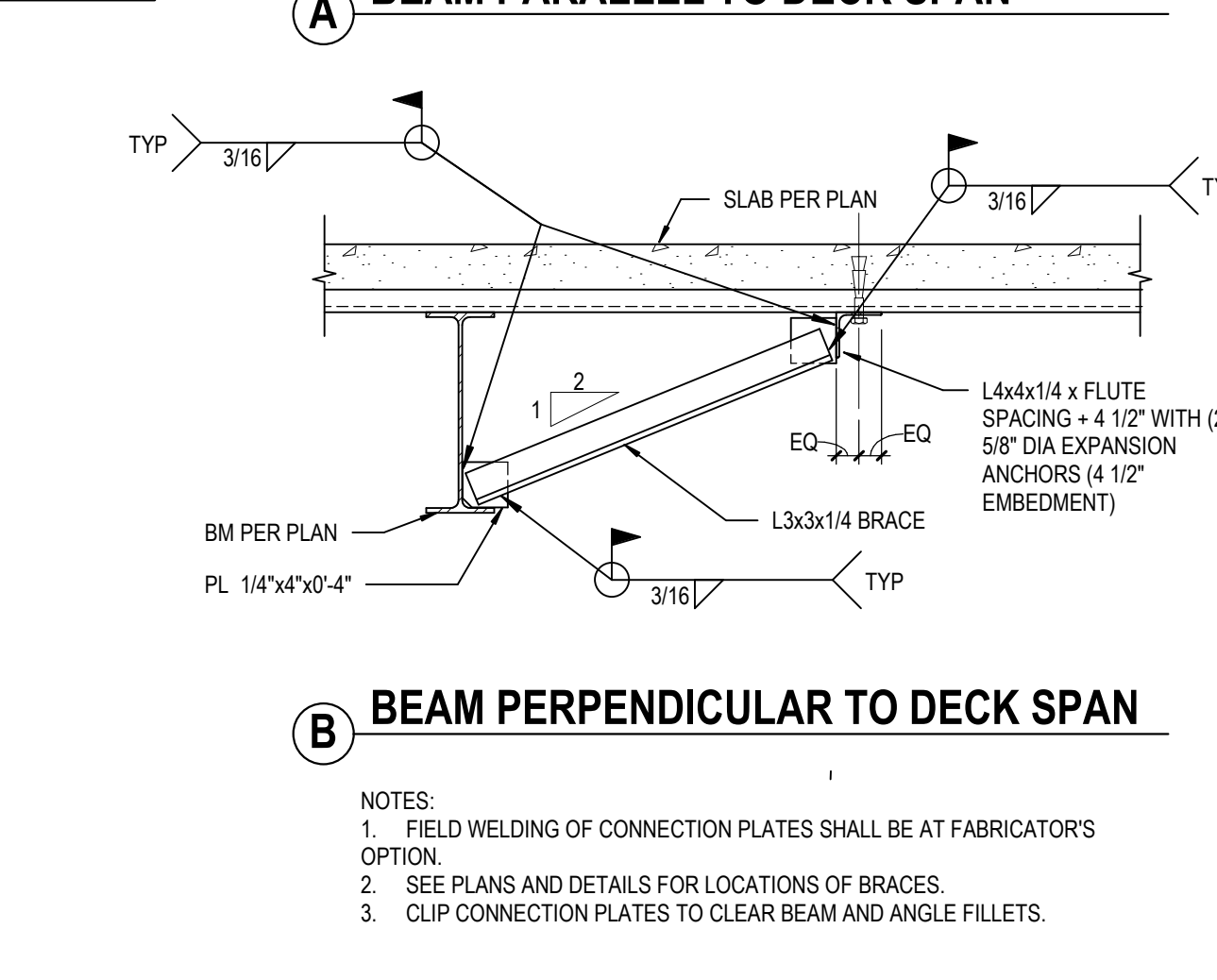
31 COMPOSITE FLOOR SLAB SCHEDULE

MARK	DESCRIPTION
CS-1	4-1/2" SLAB ON 2" DEEP x 18 GA GALVANIZED COMPOSITE METAL DECK (6-1/2" TOTAL THICKNESS). REINFORCE SLAB WITH 6#6-W2 3#W2 3 WELDED WIRE REINF.

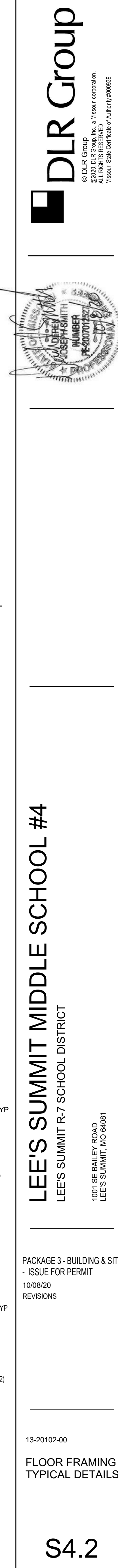
32 TYP BOTTOM FLANGE BRACE DETAIL
SCALE: 3/4" = 1'-0"



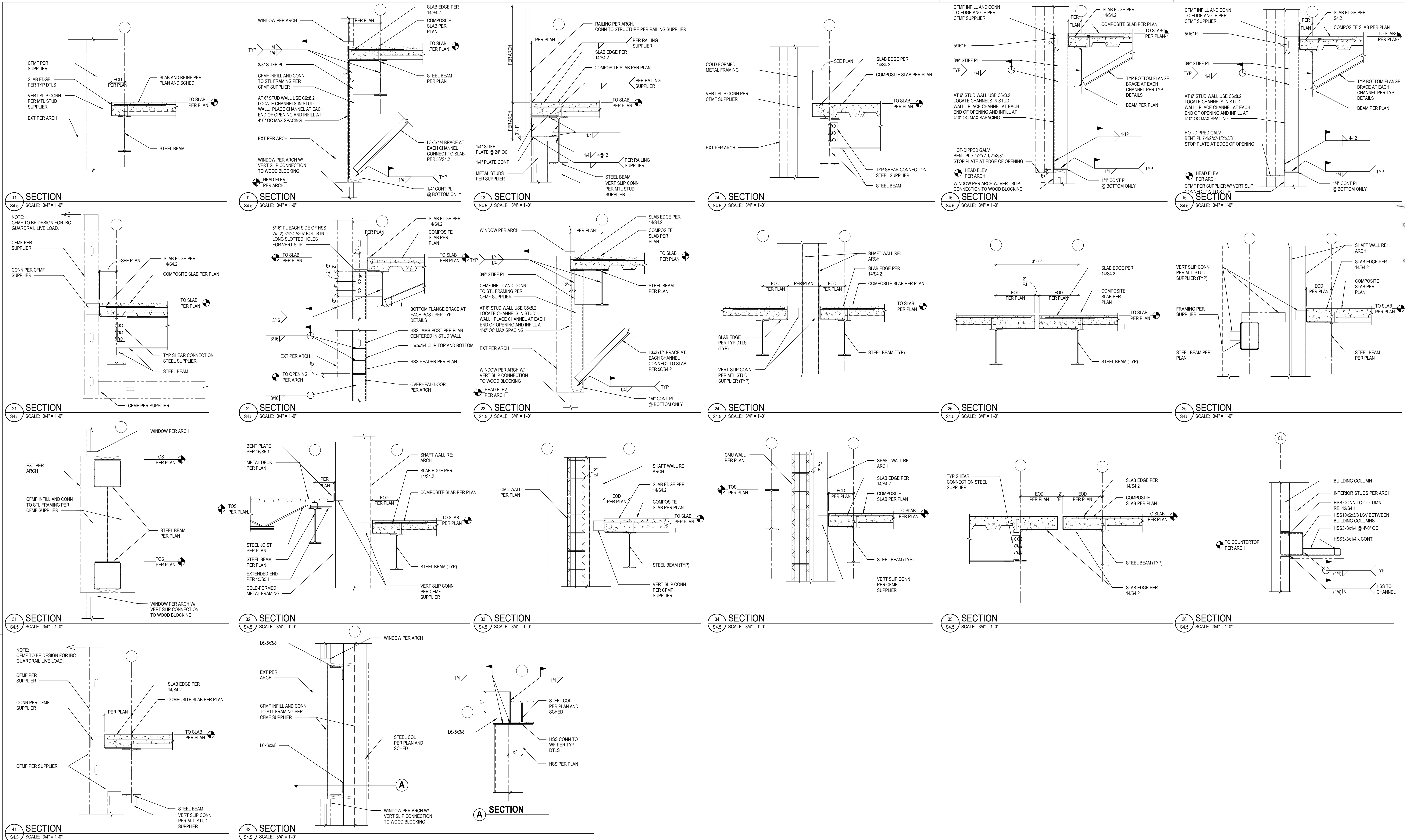
33 TYP BOTTOM FLANGE BRACE DETAIL
SCALE: 3/4" = 1'-0"



34 TYP BEAM PERPENDICULAR TO DECK SPAN



10/7/2020 4:38:17 PM B:\350\15-20102-01\Lee's Summit Middle School 4\15-20102-01_Lee's Summit Middle School_4_S1_2020.rvt



DLR Group
© DLR Group
 ALL RIGHTS RESERVED
 Missouri State Certificate of Authority #00093

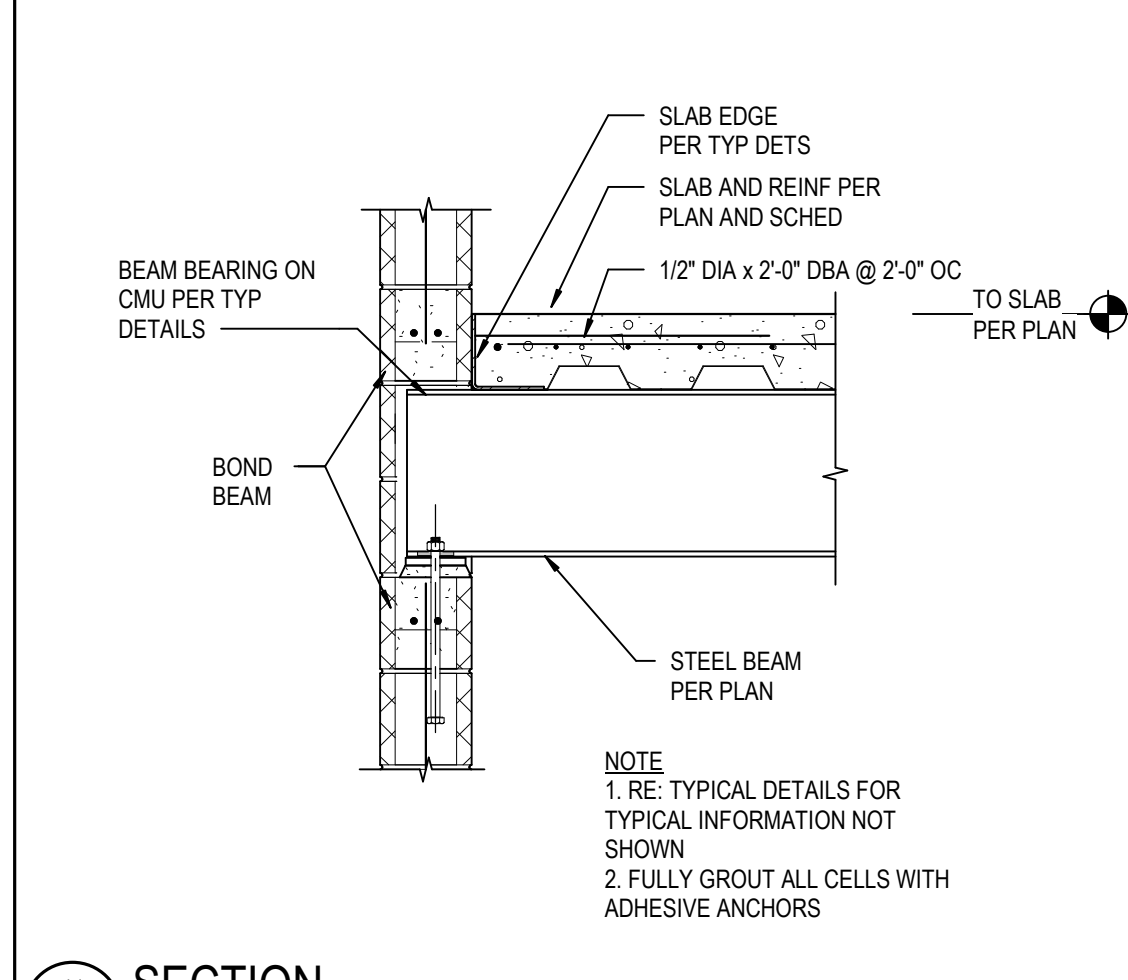
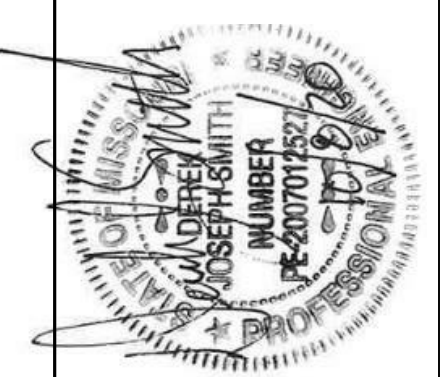
LEE'S SUMMIT MIDDLE SCHOOL #4
 LEE'S SUMMIT R-7 SCHOOL DISTRICT

1001 SE BAILEY ROAD
 LEE'S SUMMIT, MO 64681

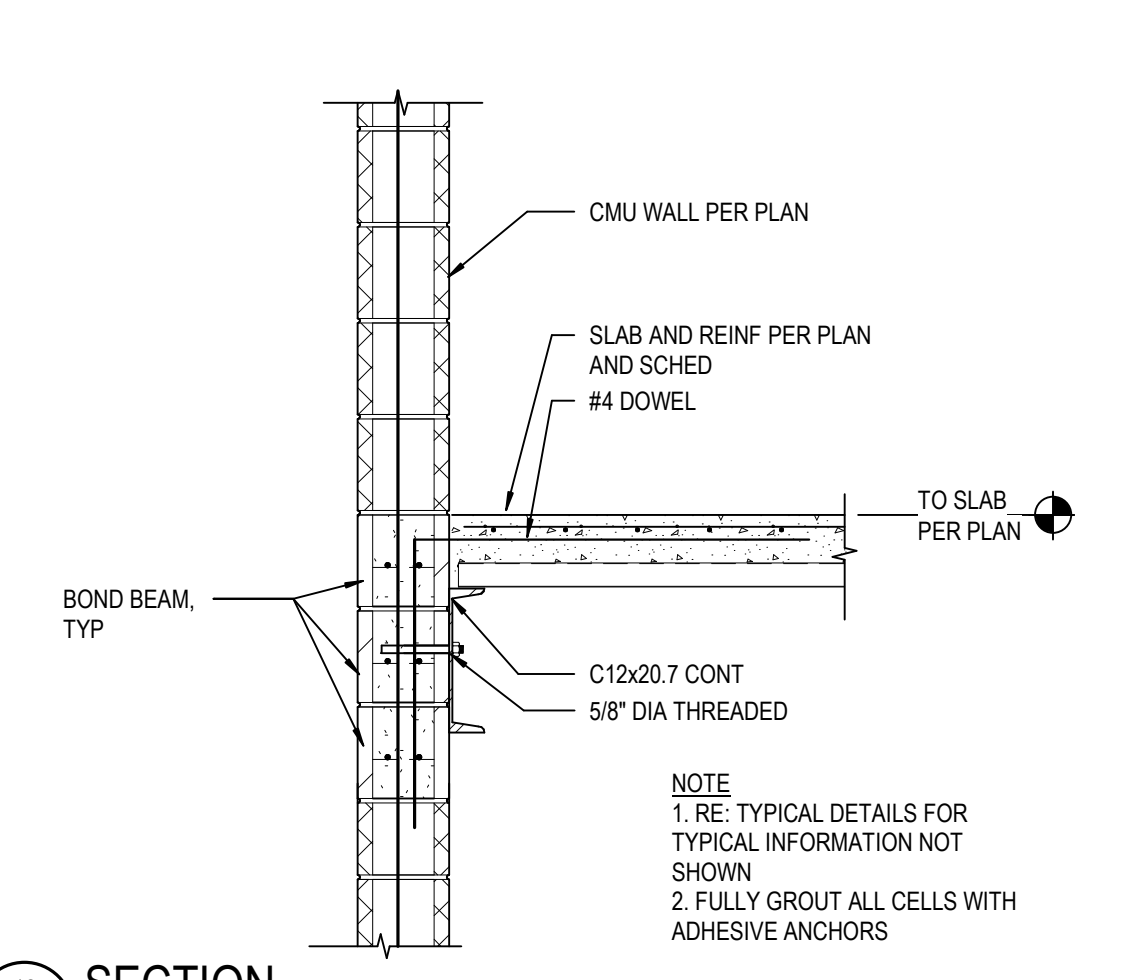
PACKAGE 3 - BUILDING & SITE
 - ISSUE FOR PERMIT
 10/08/20
 REVISIONS

13-20102-00
 FLOOR FRAMING SECTIONS

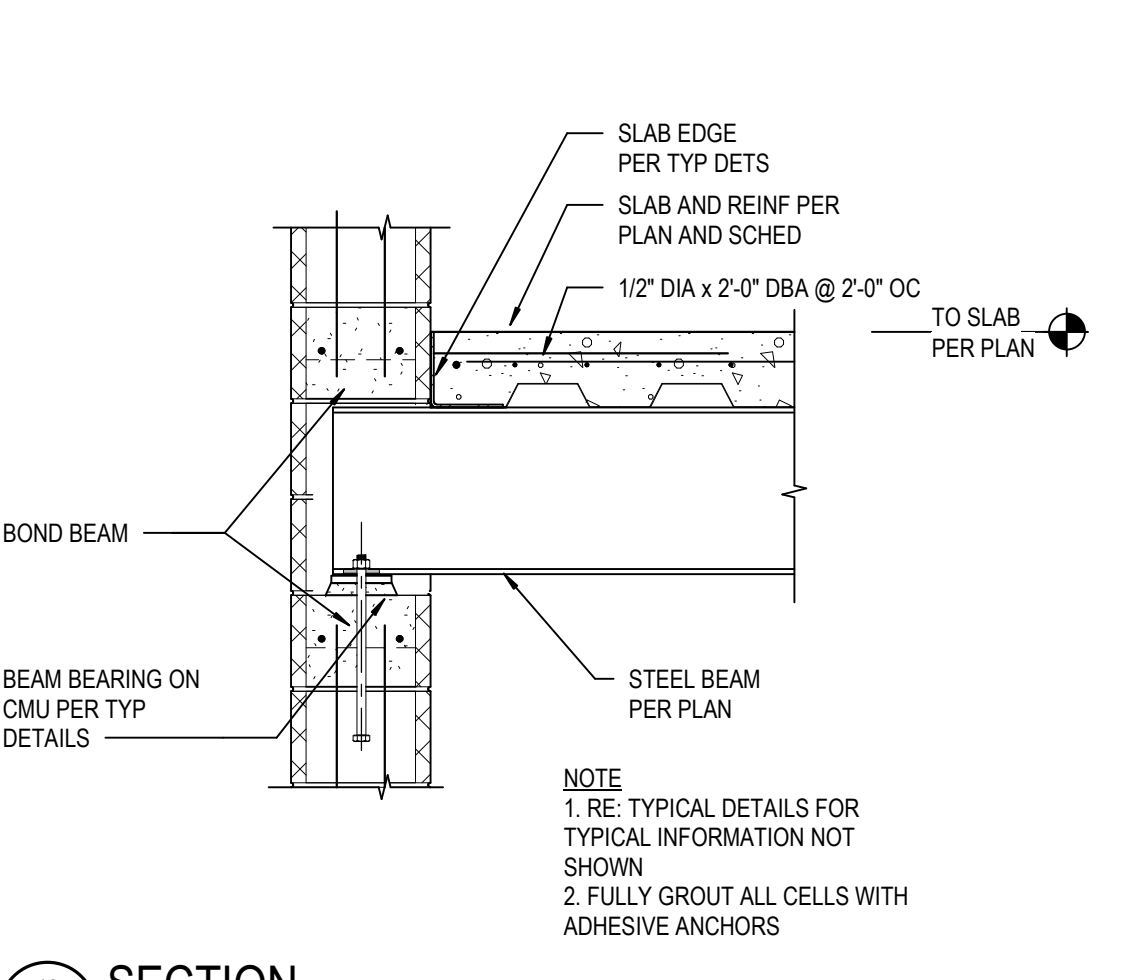
S4.5



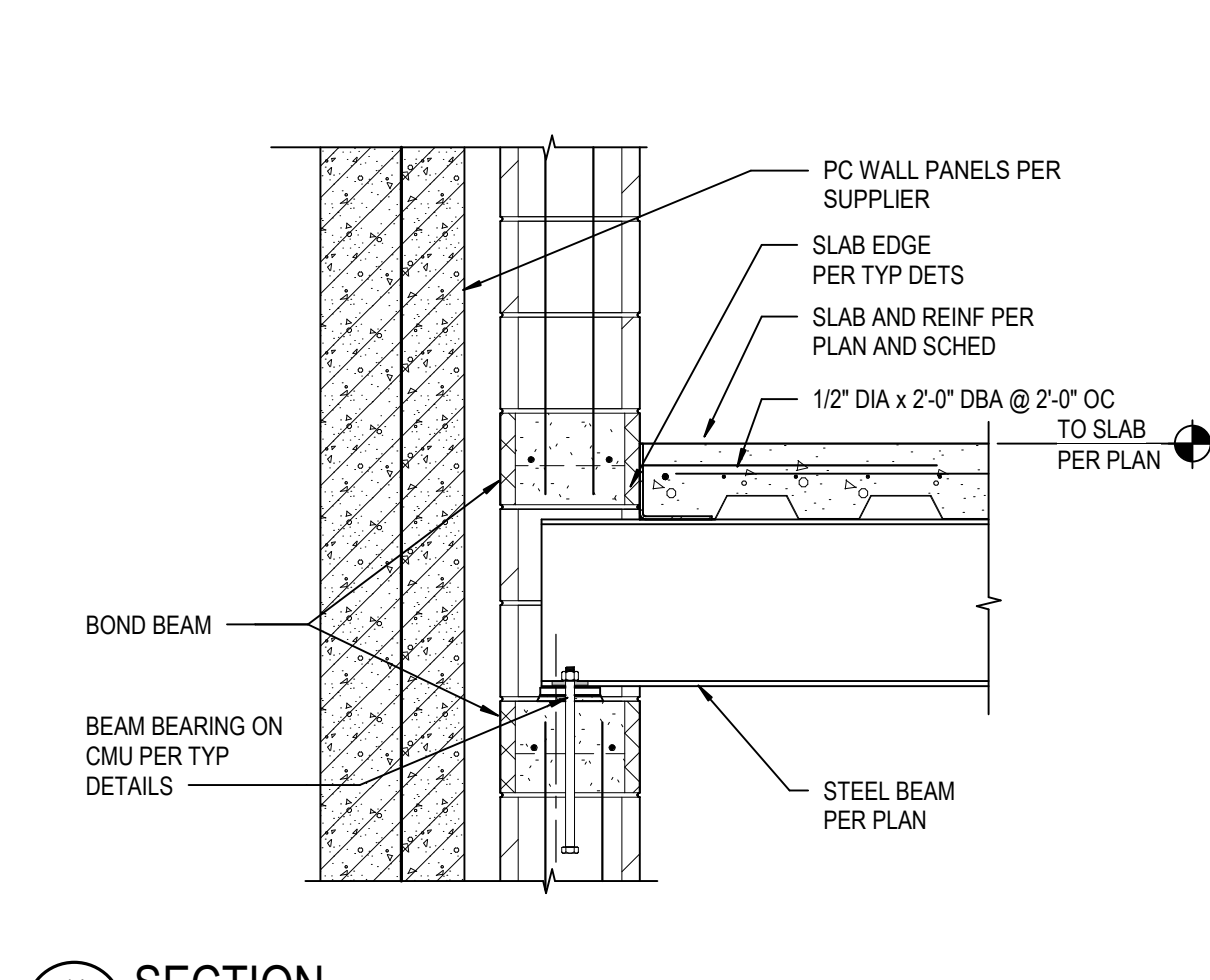
11 SECTION
 S4.7 SCALE: 3/4" = 1'-0"



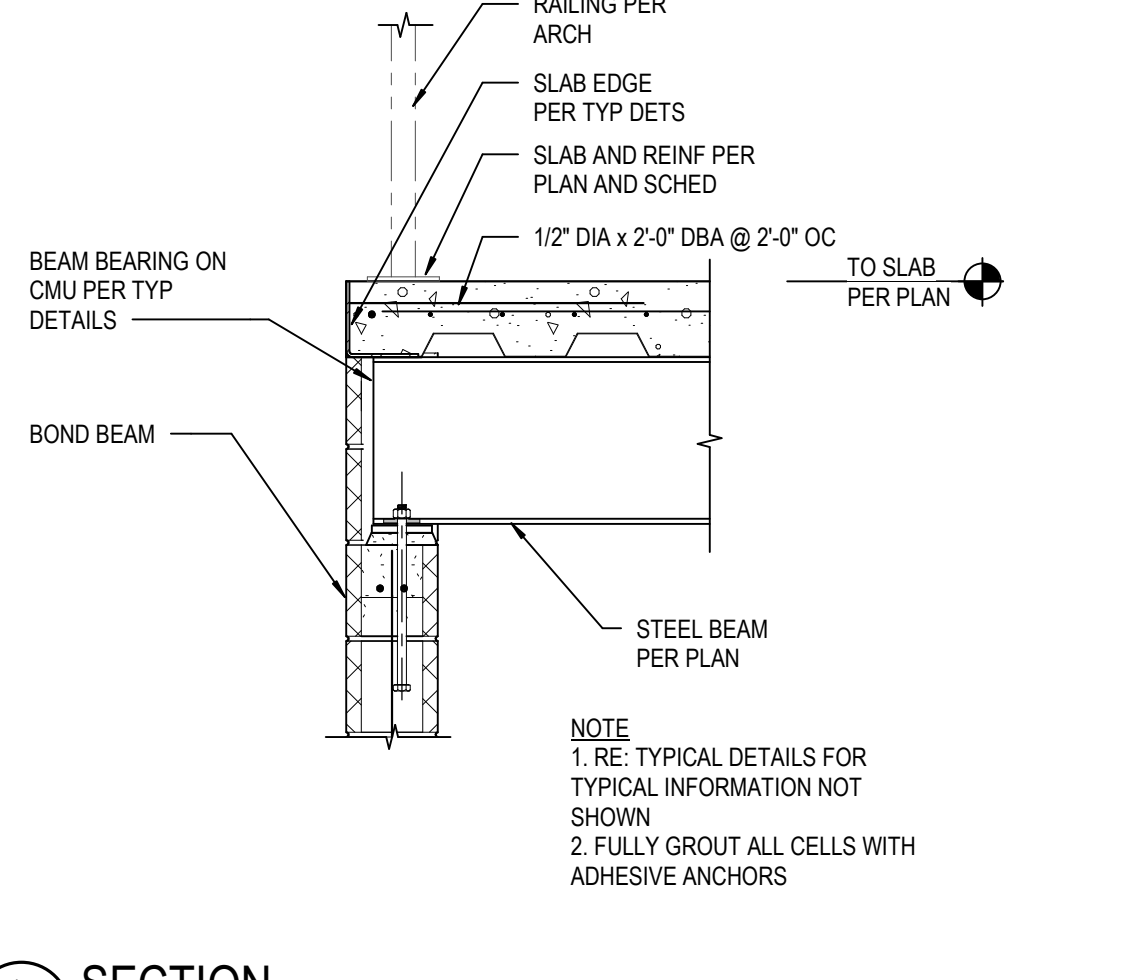
12 SECTION
 S4.7 SCALE: 3/4" = 1'-0"



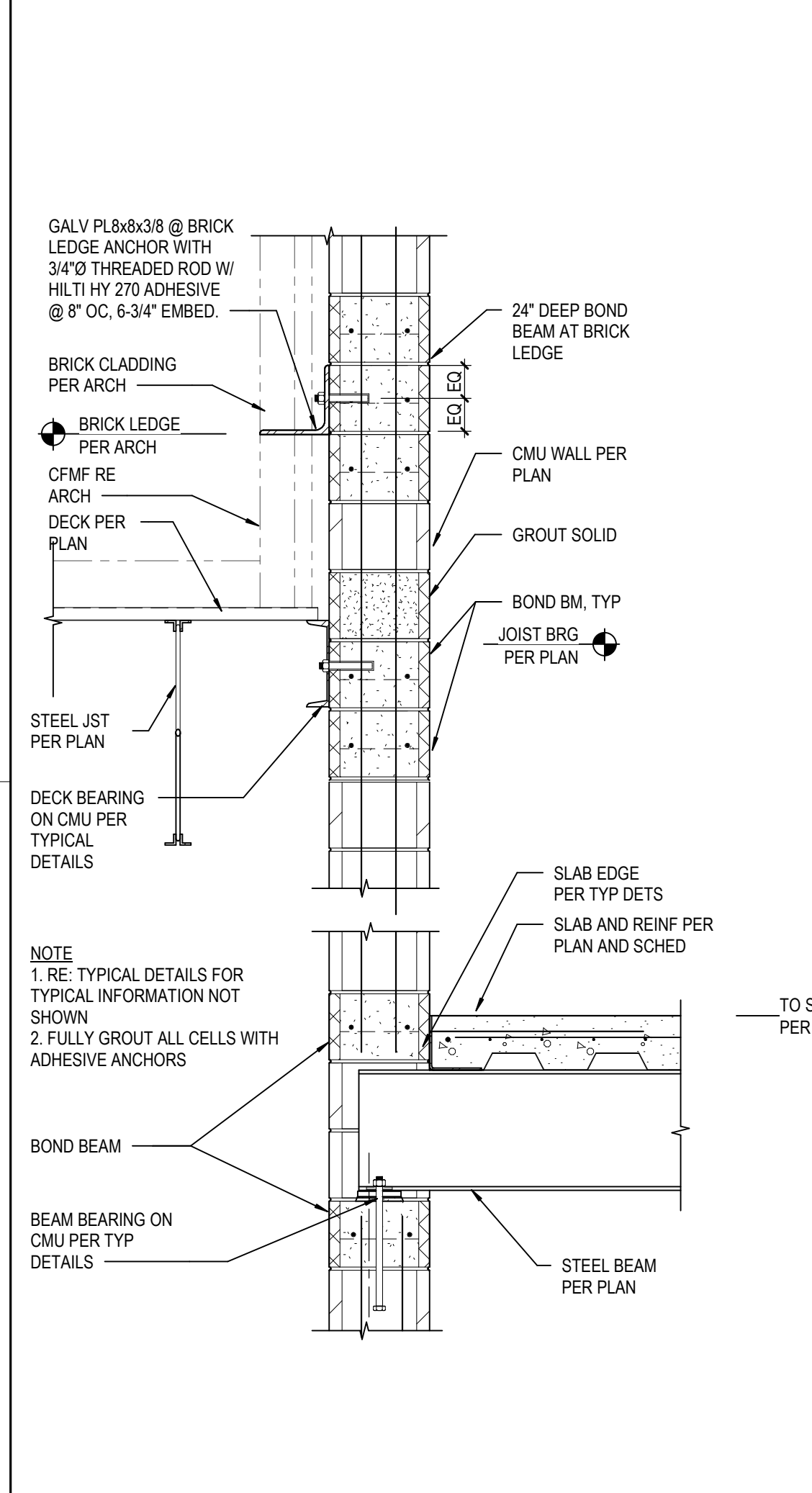
13 SECTION
 S4.7 SCALE: 3/4" = 1'-0"



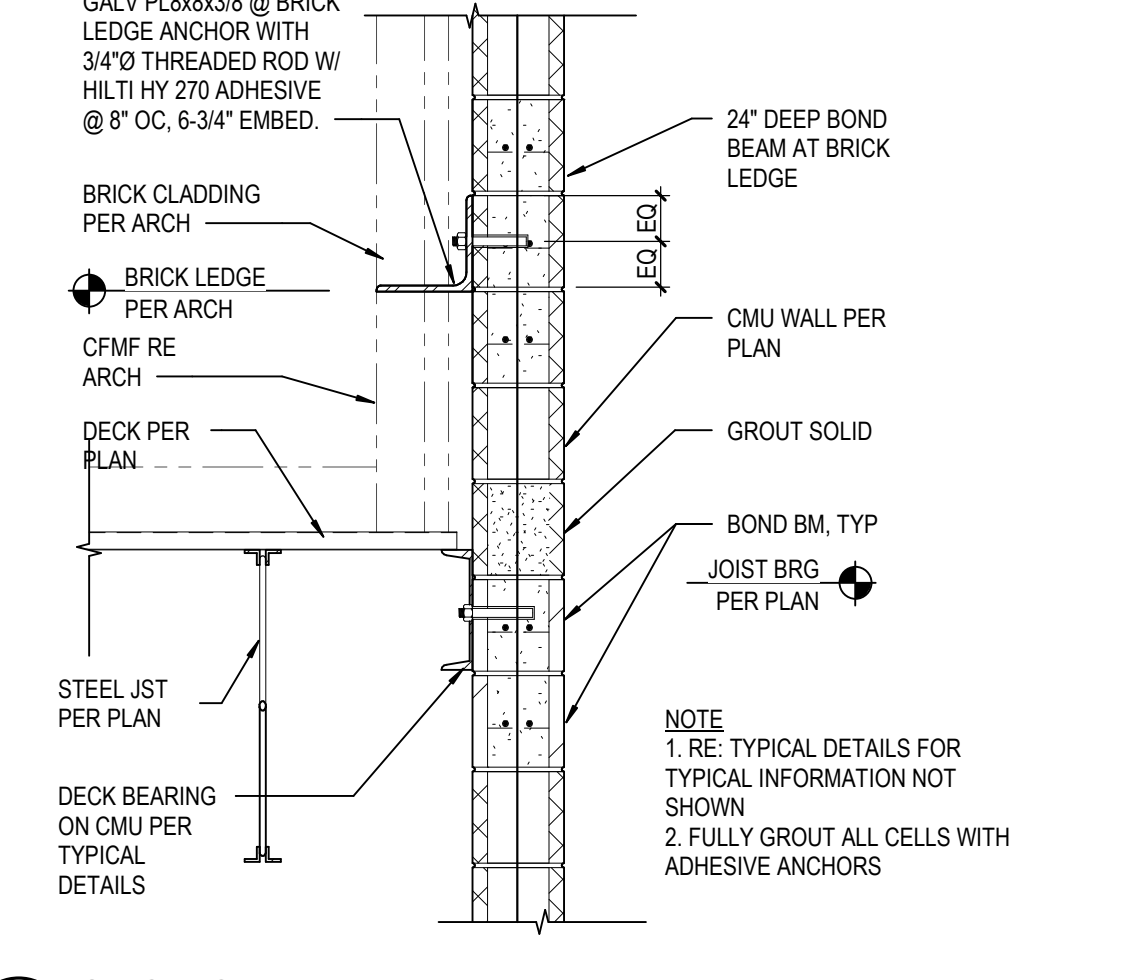
14 SECTION
 S4.7 SCALE: 3/4" = 1'-0"



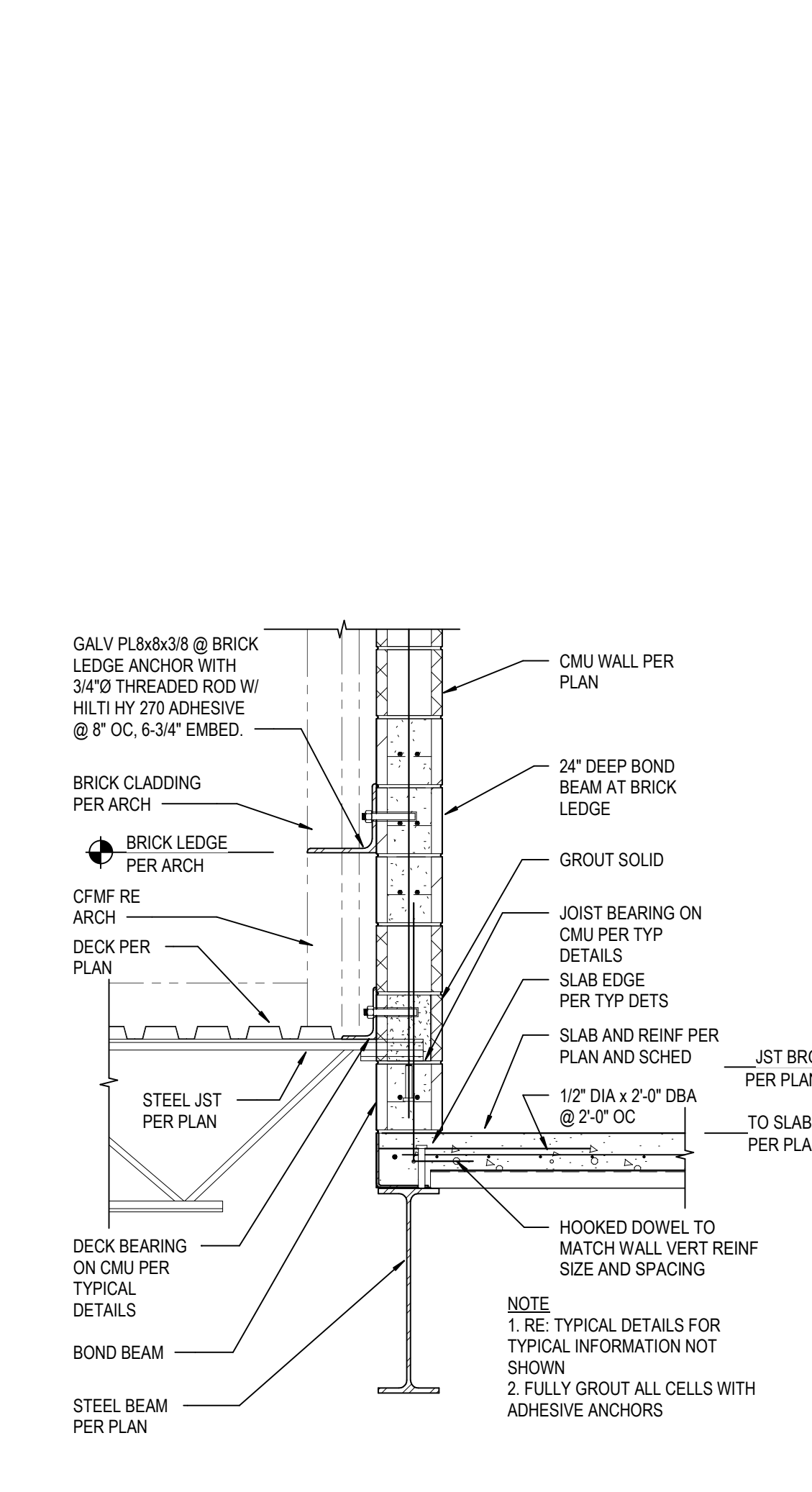
15 SECTION
 S4.7 SCALE: 3/4" = 1'-0"



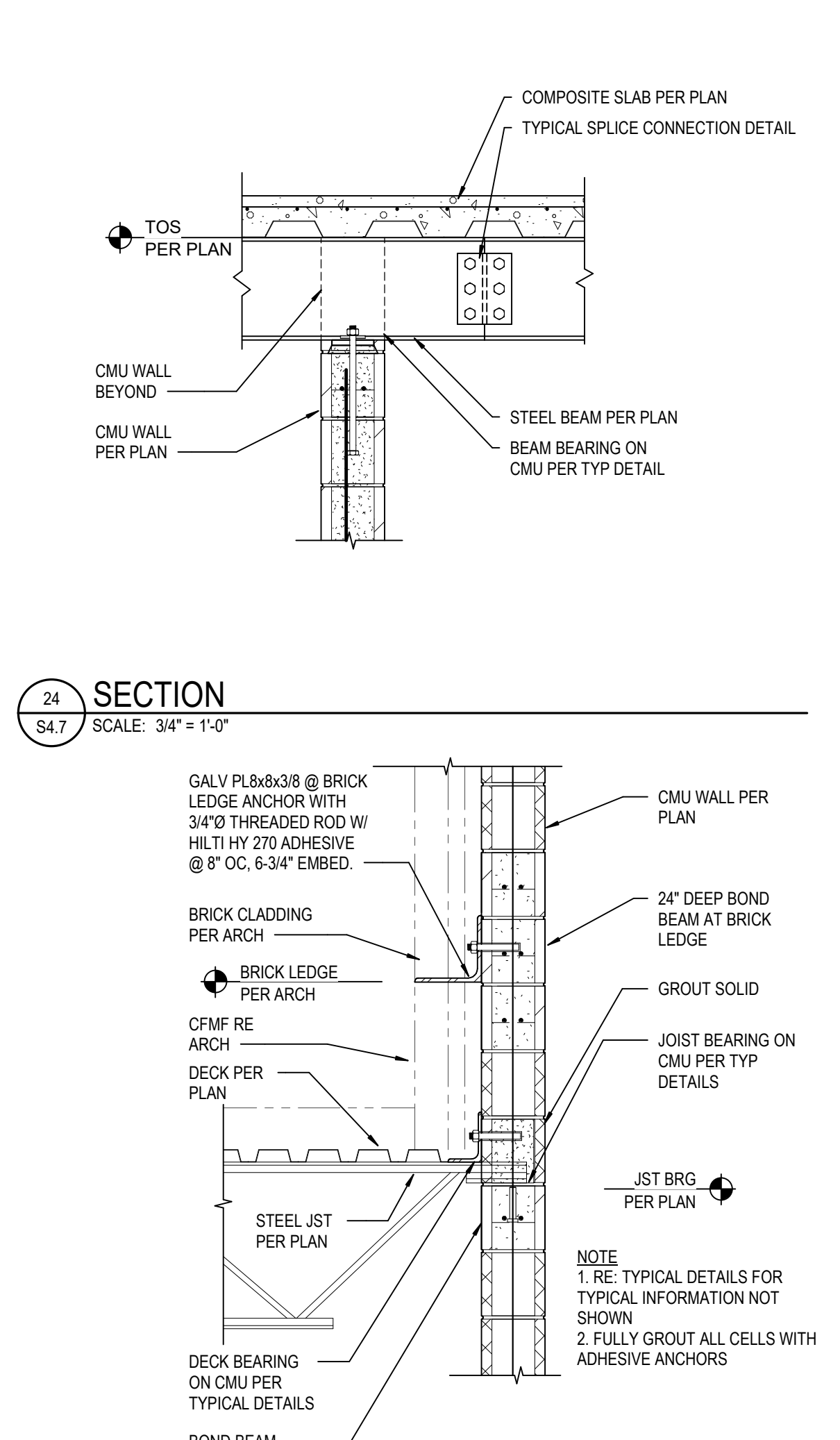
21 SECTION
 S4.7 SCALE: 3/4" = 1'-0"



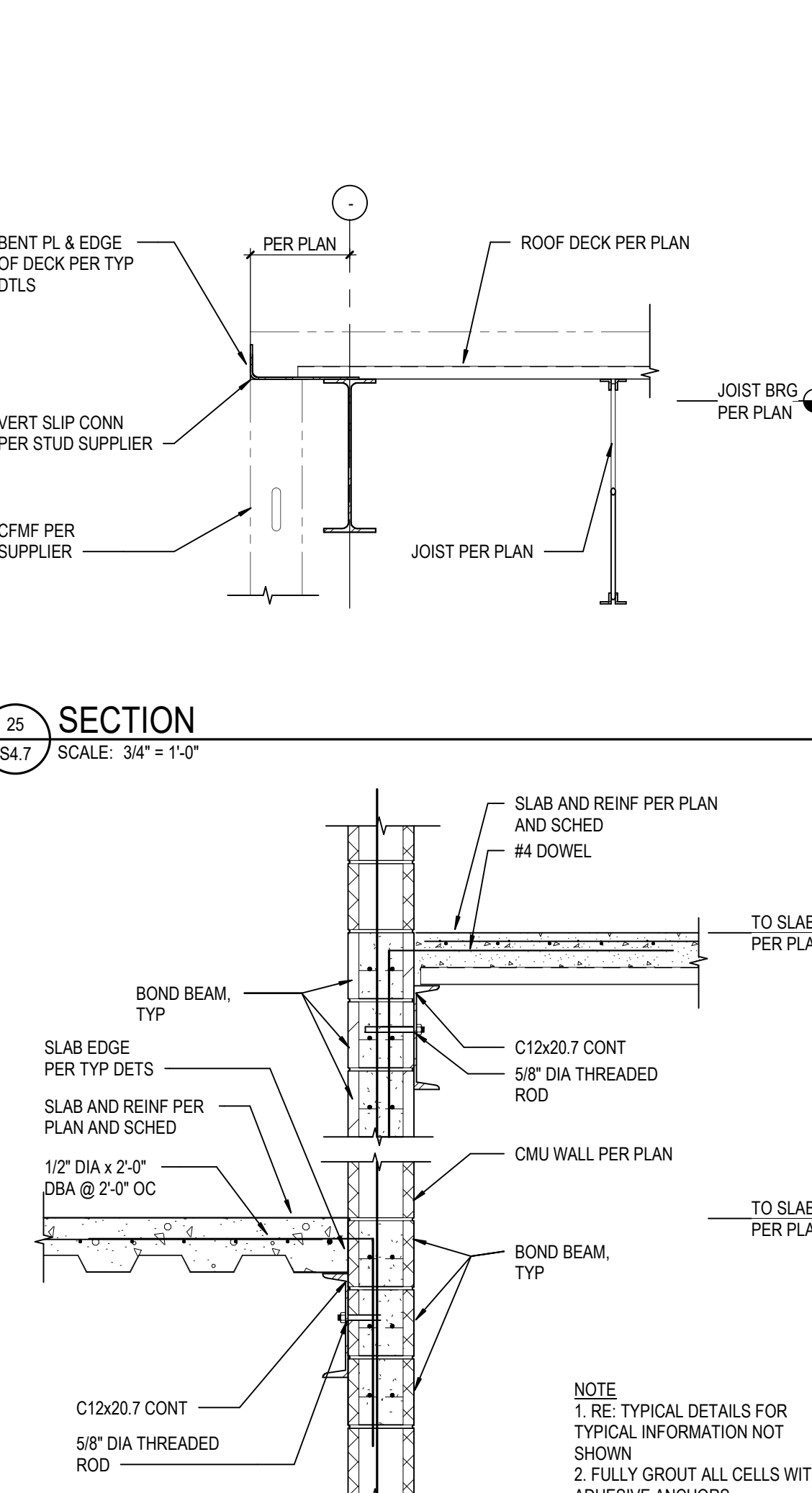
22 SECTION
 S4.7 SCALE: 3/4" = 1'-0"



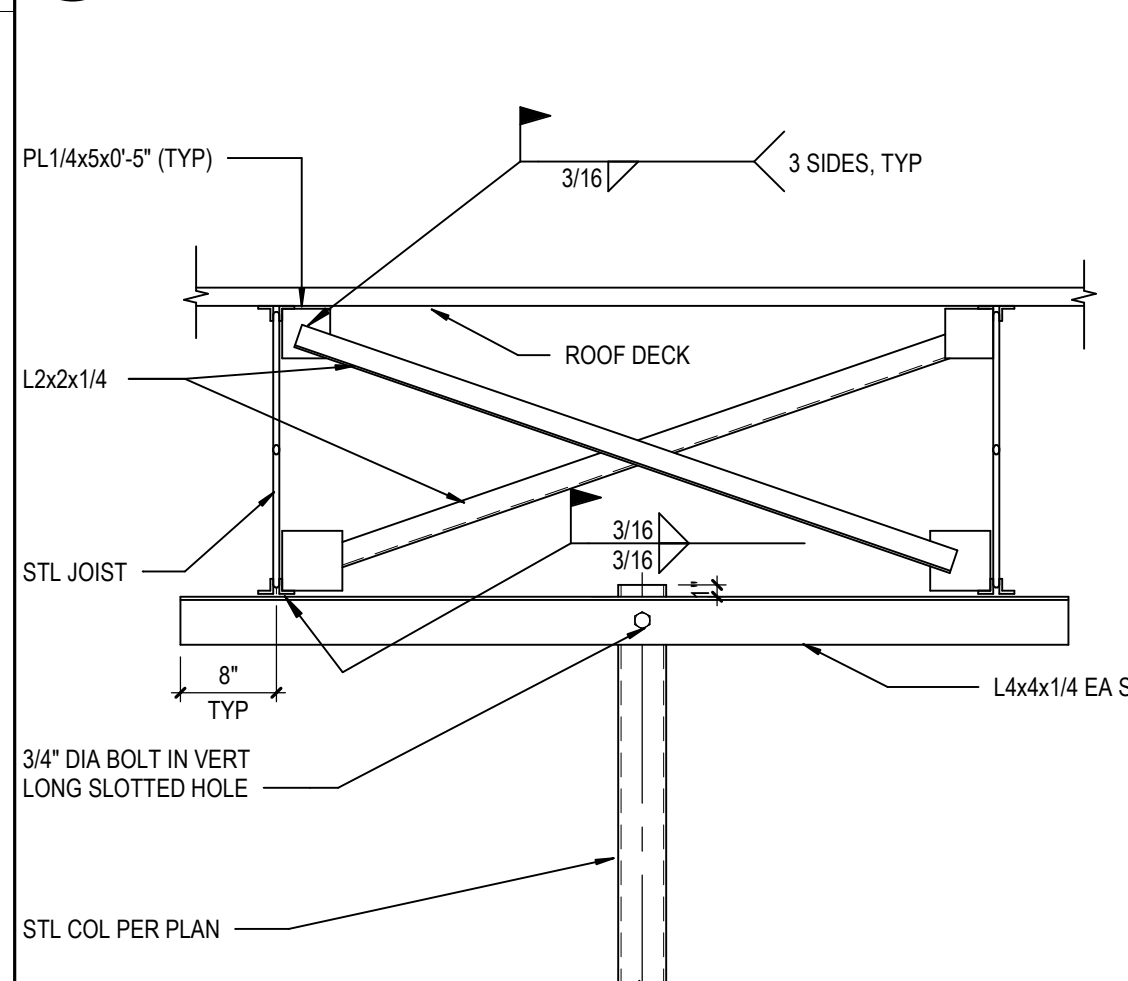
23 SECTION
 S4.7 SCALE: 3/4" = 1'-0"



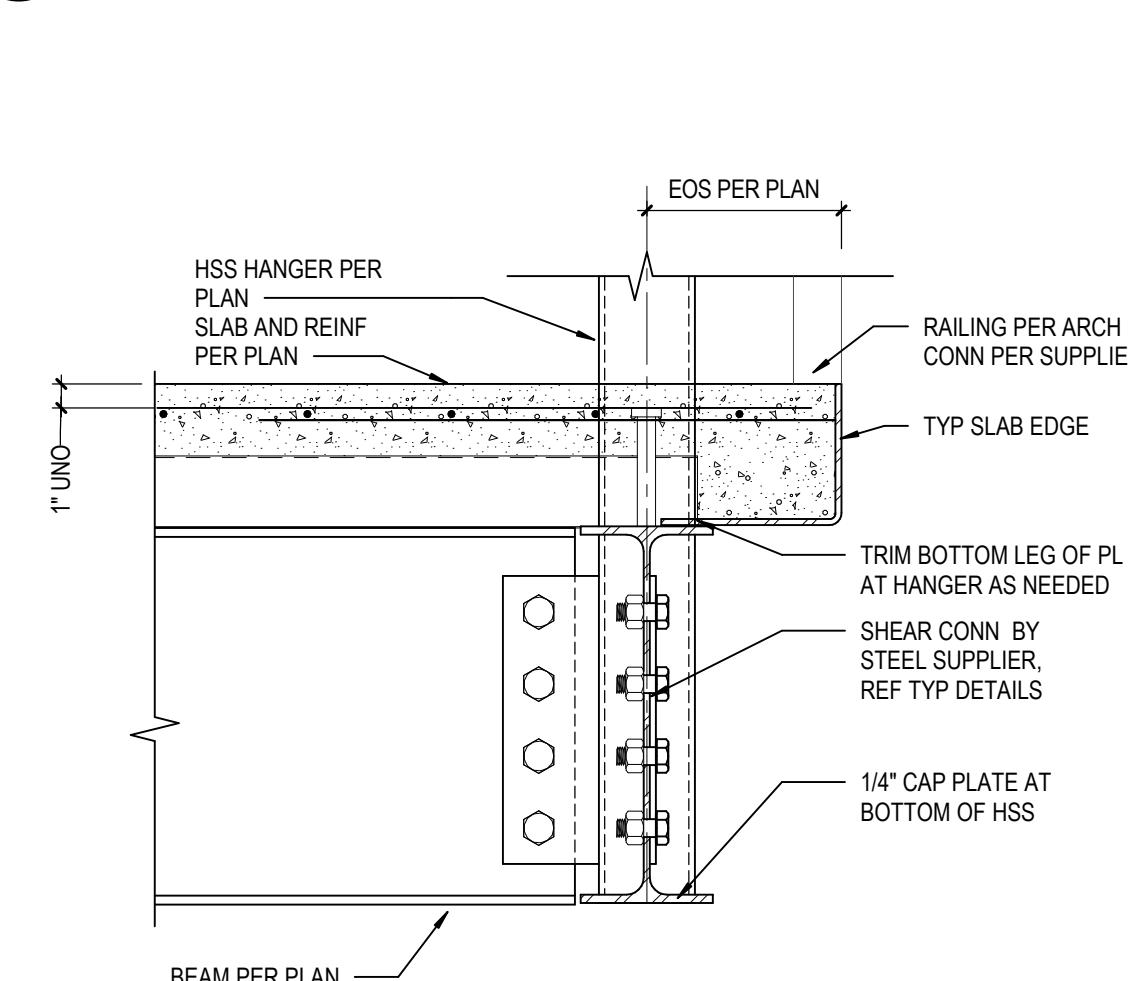
24 SECTION
 S4.7 SCALE: 3/4" = 1'-0"



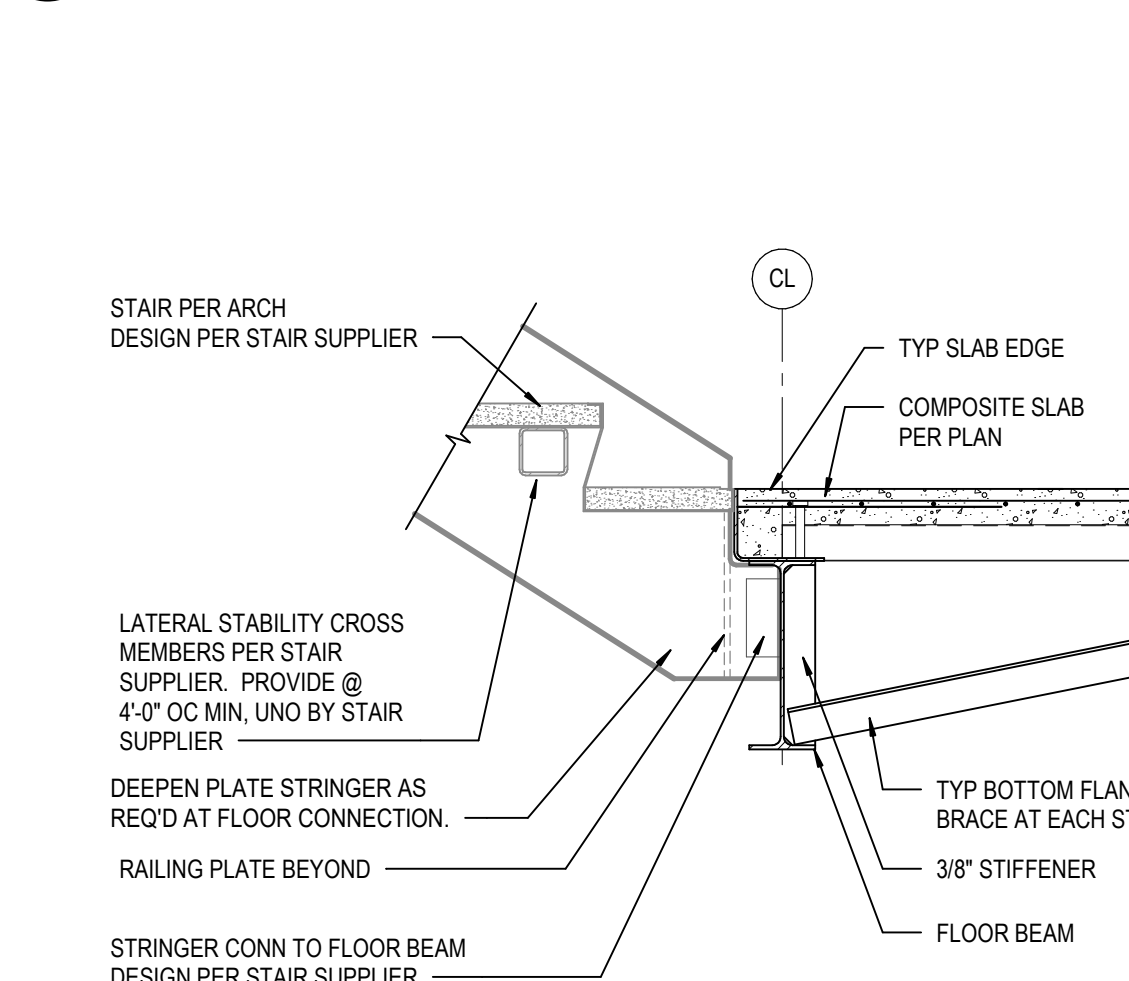
25 SECTION
 S4.7 SCALE: 3/4" = 1'-0"



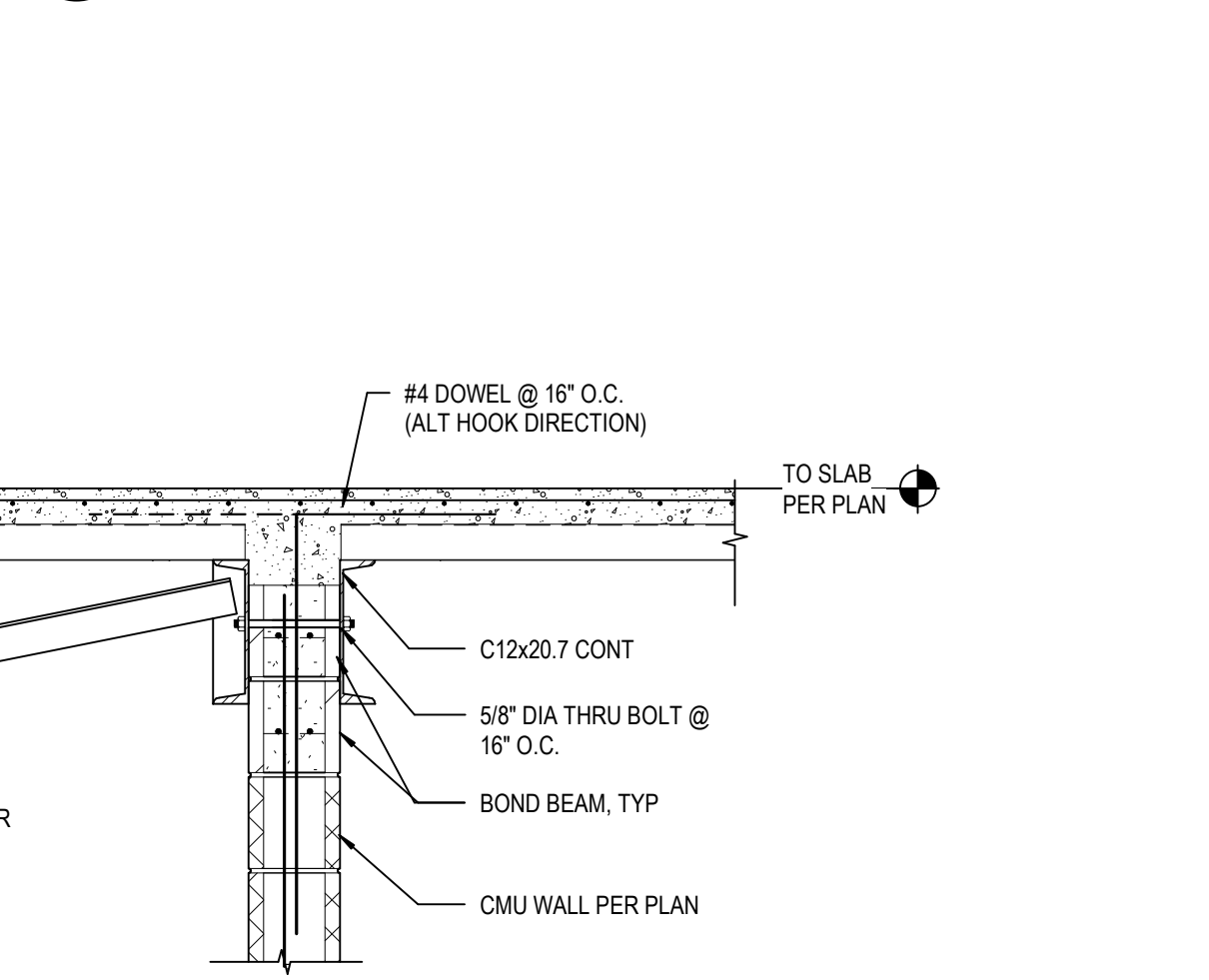
31 SECTION
 S4.7 SCALE: 3/4" = 1'-0"



32 SECTION
 S4.7 SCALE: 3/4" = 1'-0"



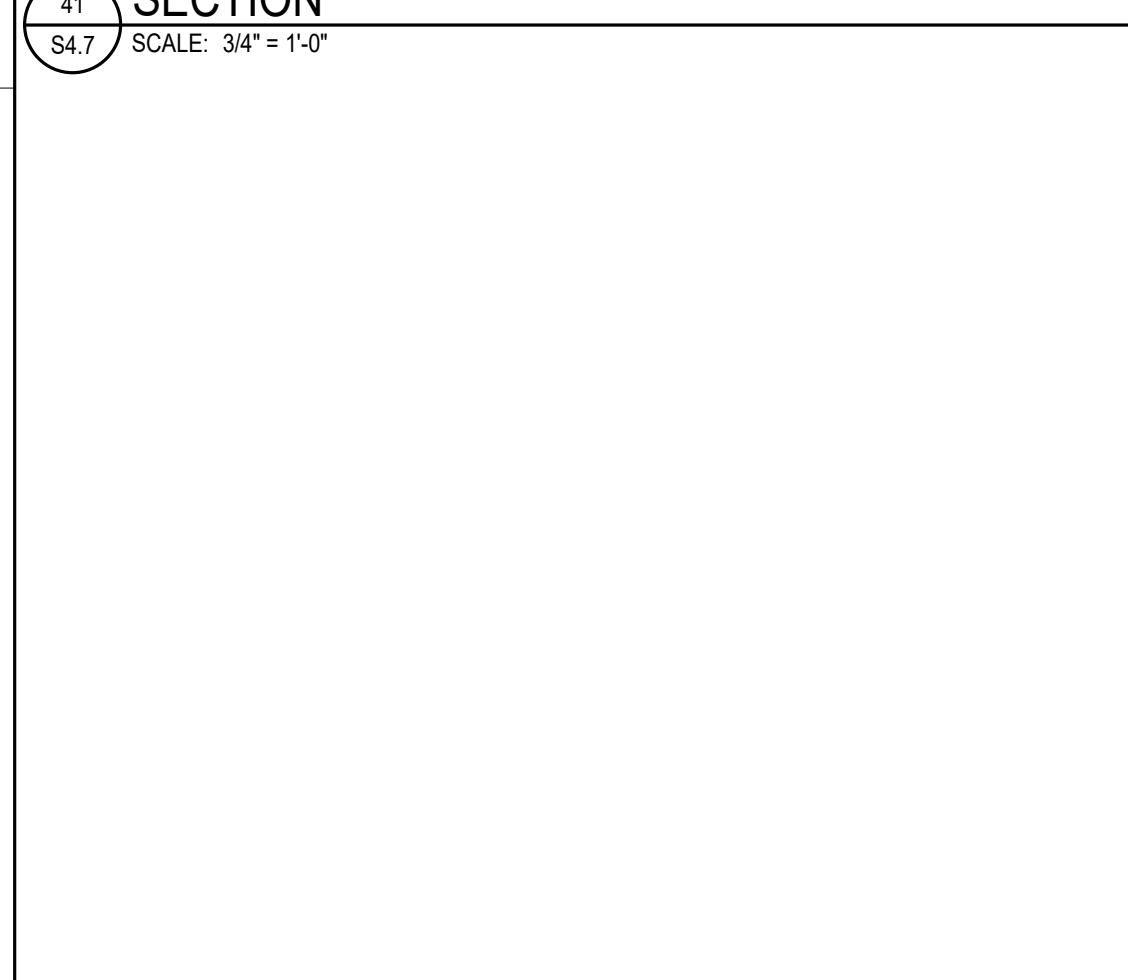
33 SECTION
 S4.7 SCALE: 3/4" = 1'-0"



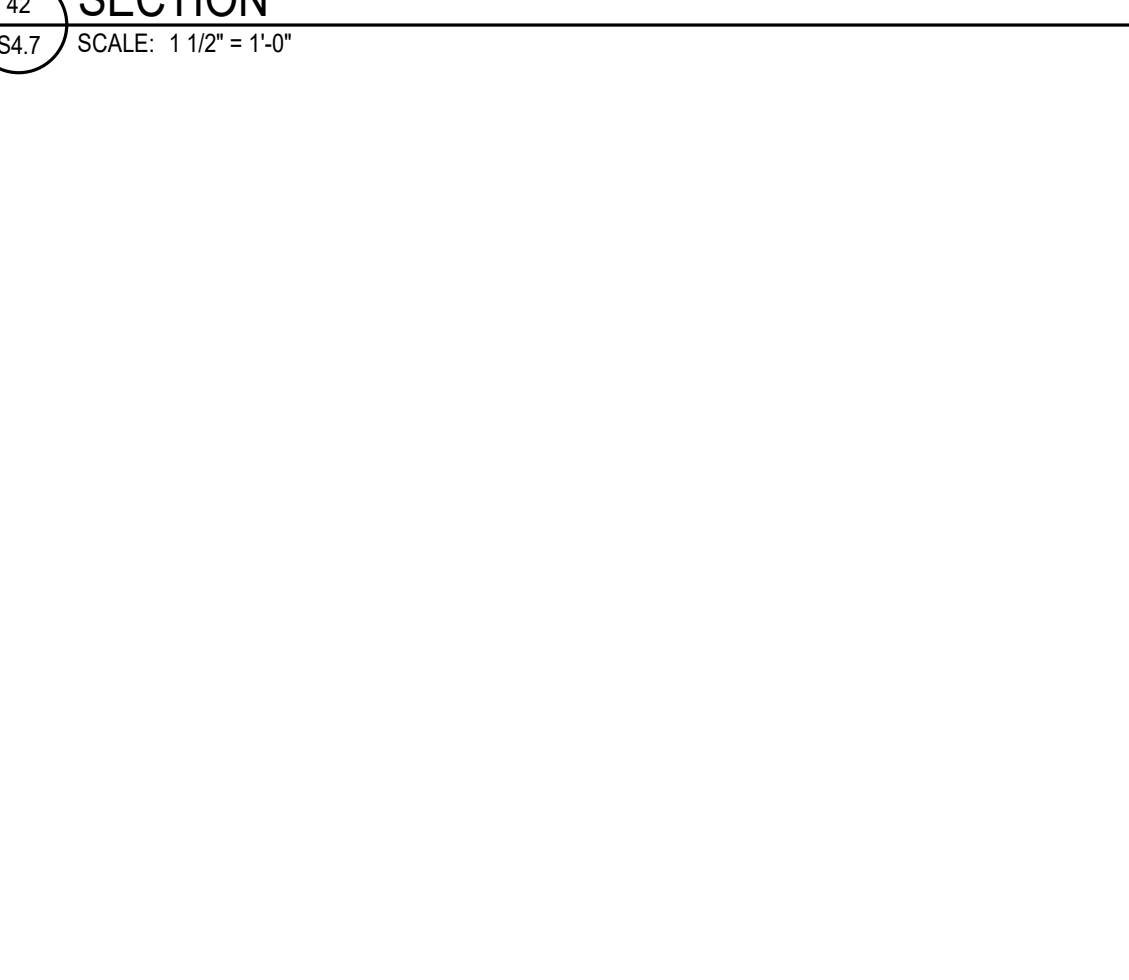
34 SECTION
 S4.7 SCALE: 3/4" = 1'-0"



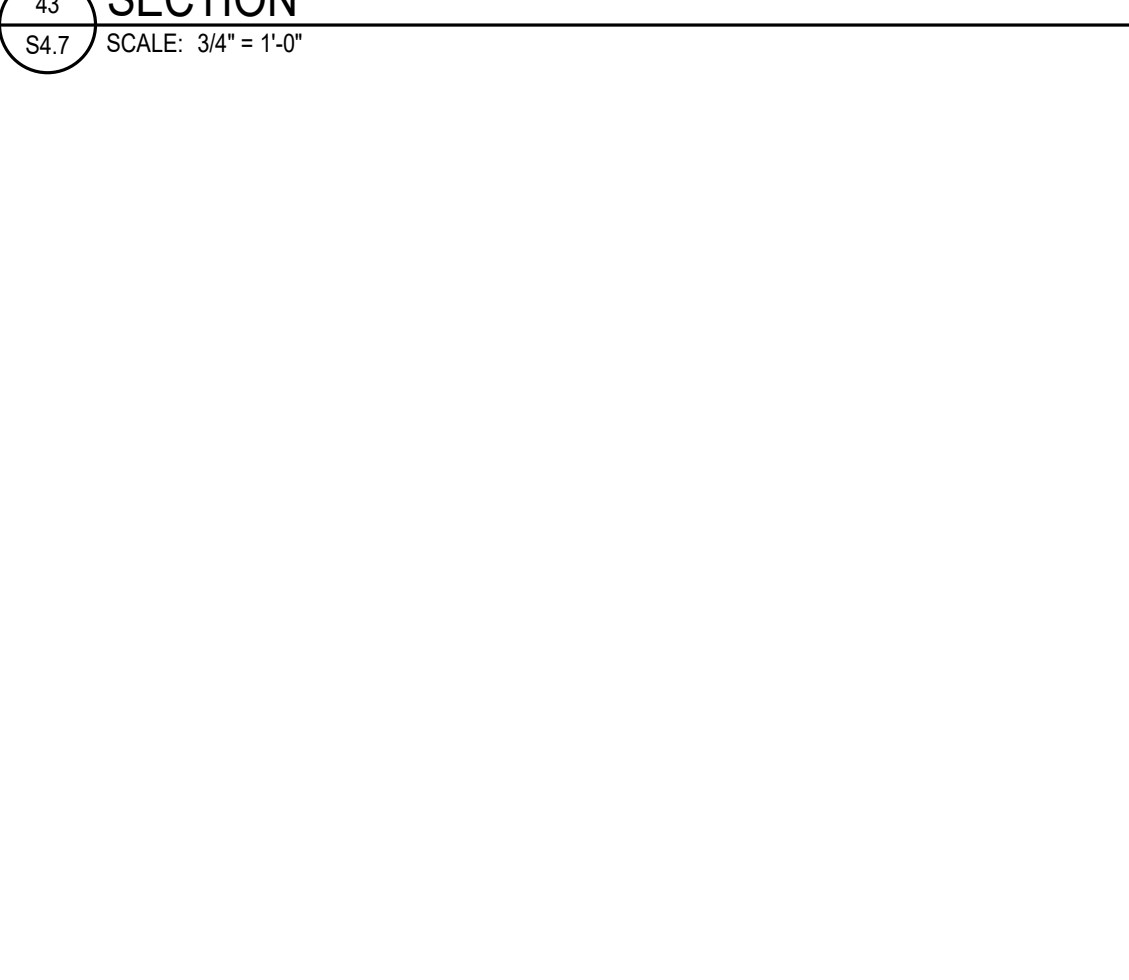
35 SECTION
 S4.7 SCALE: 3/4" = 1'-0"



41 SECTION
 S4.7 SCALE: 3/4" = 1'-0"

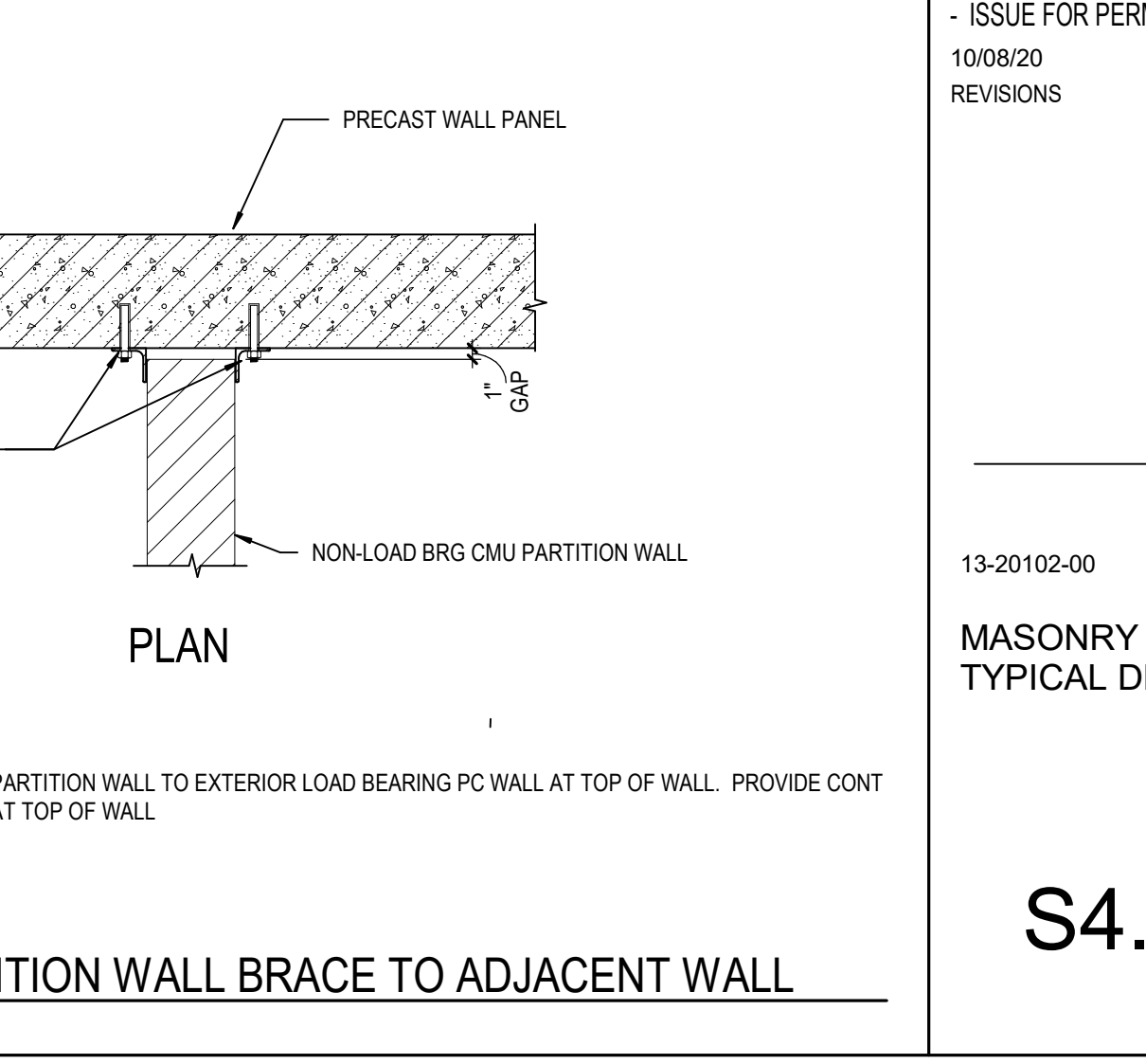
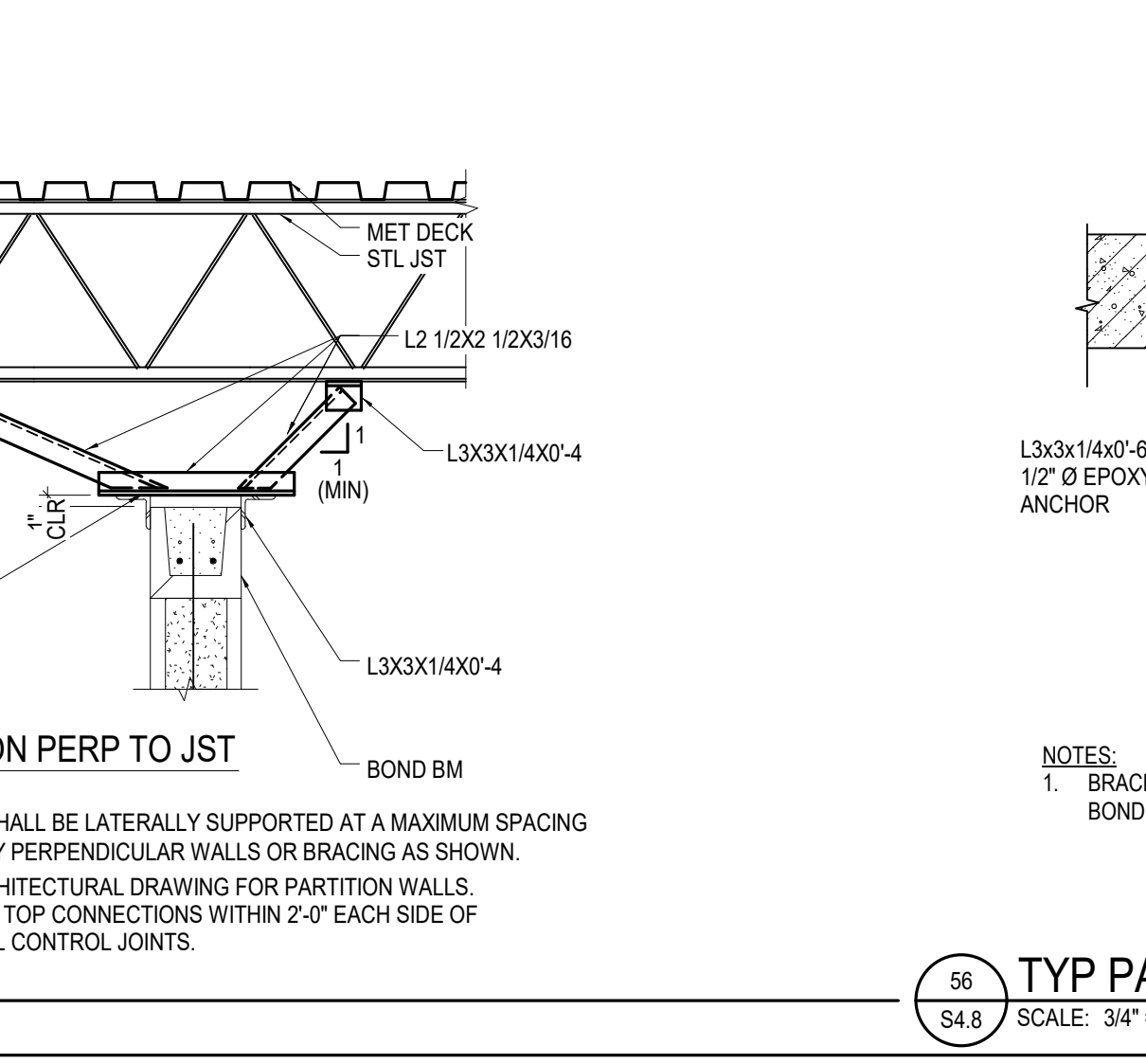
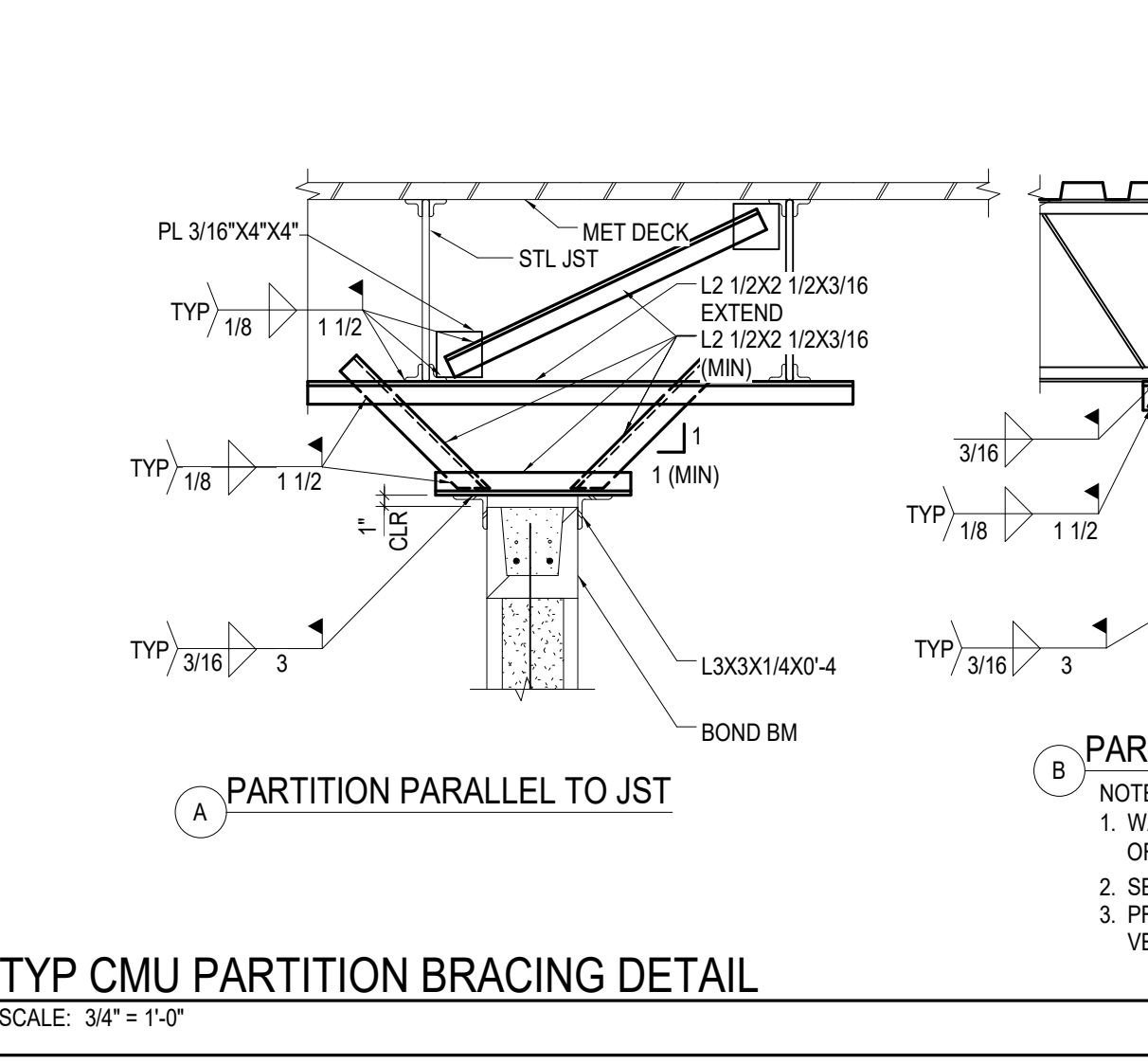
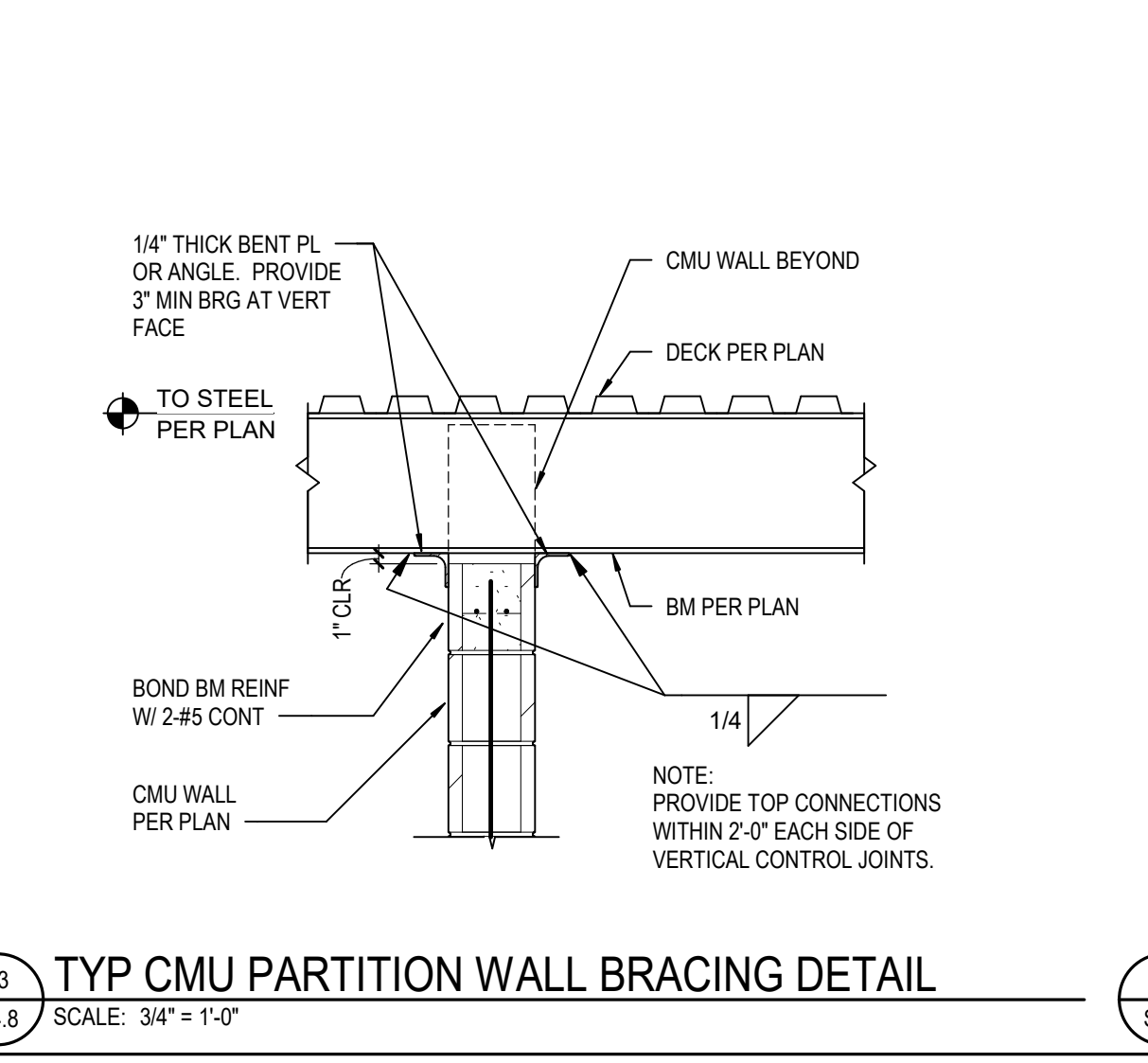
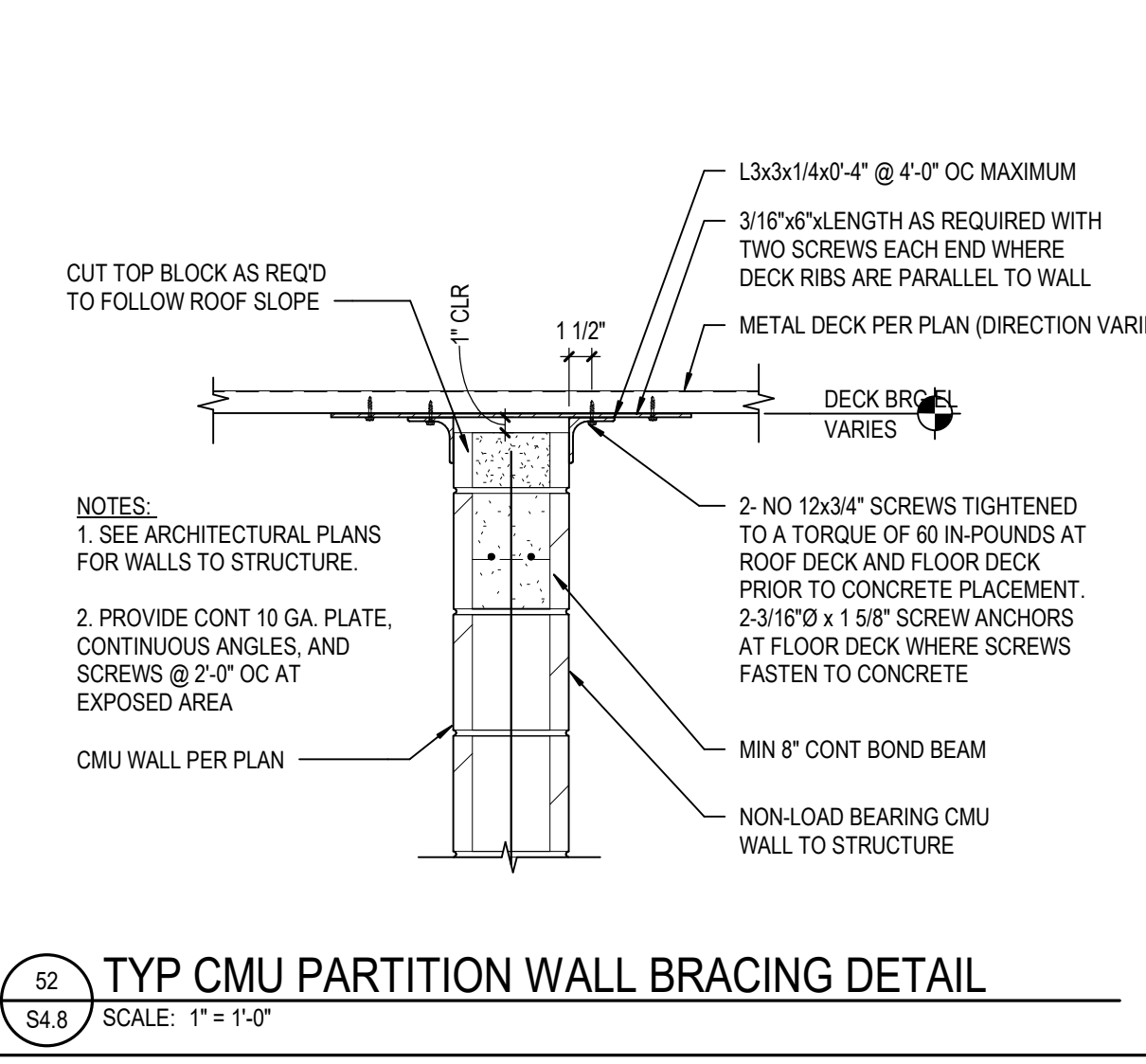
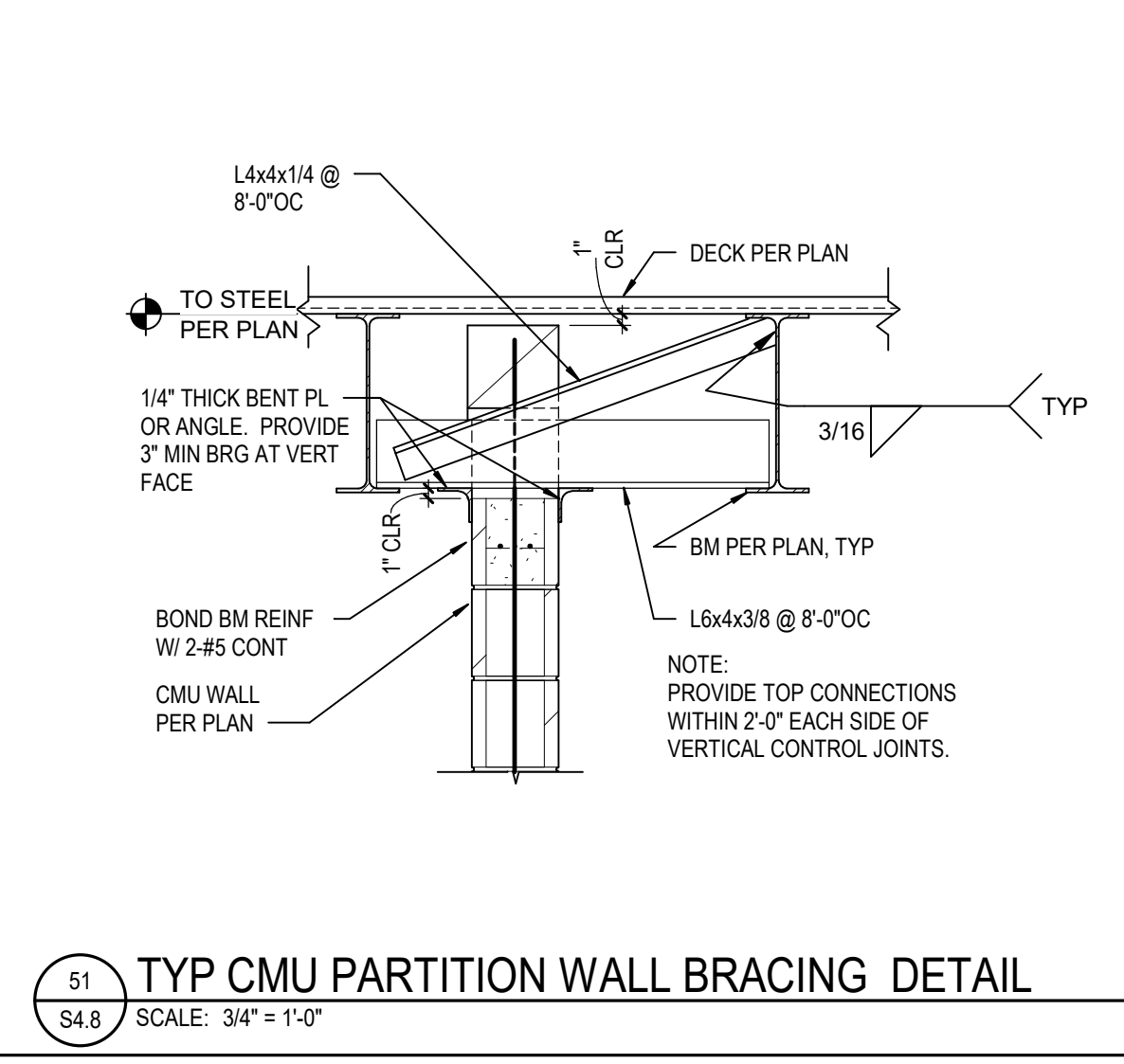
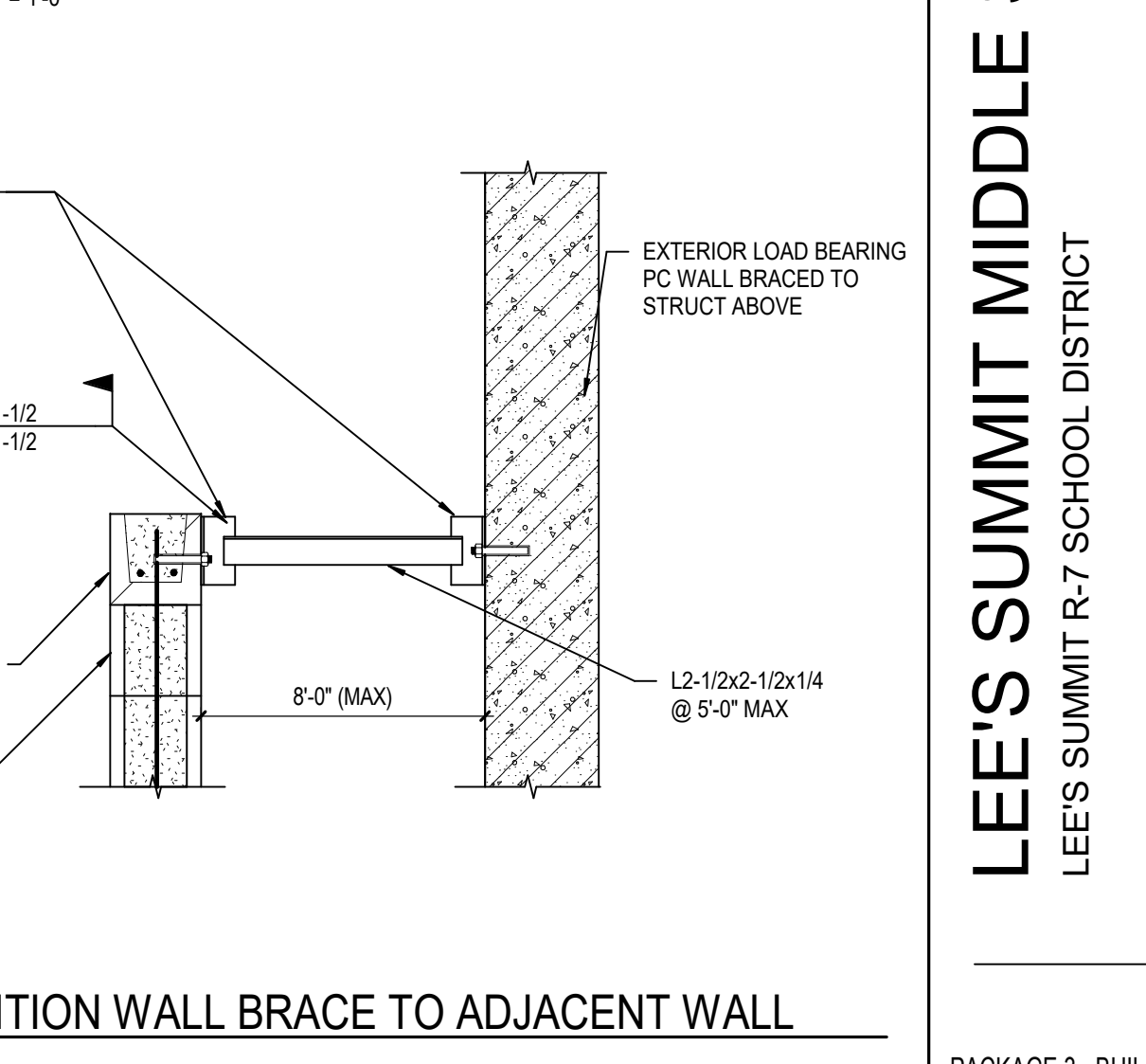
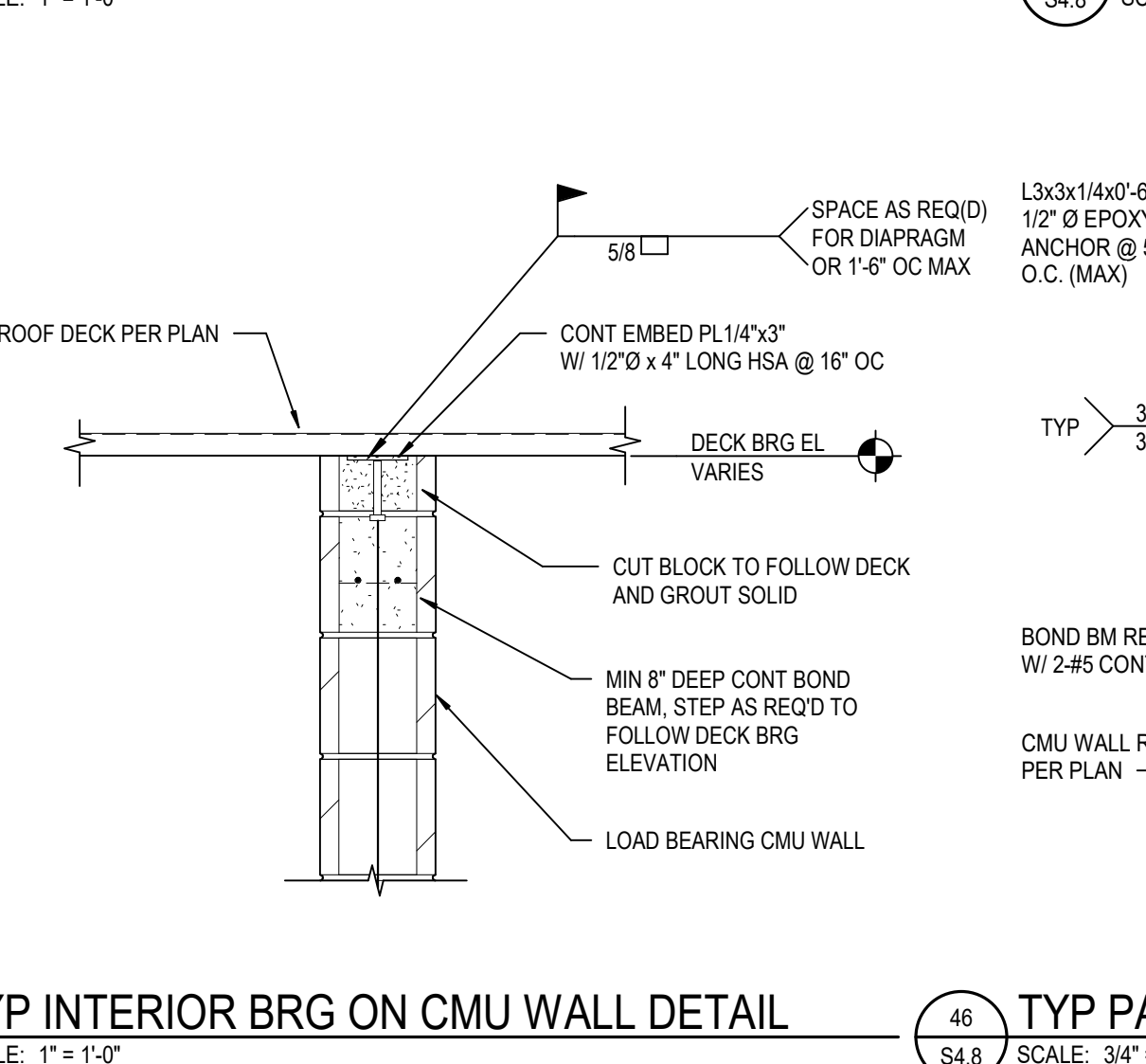
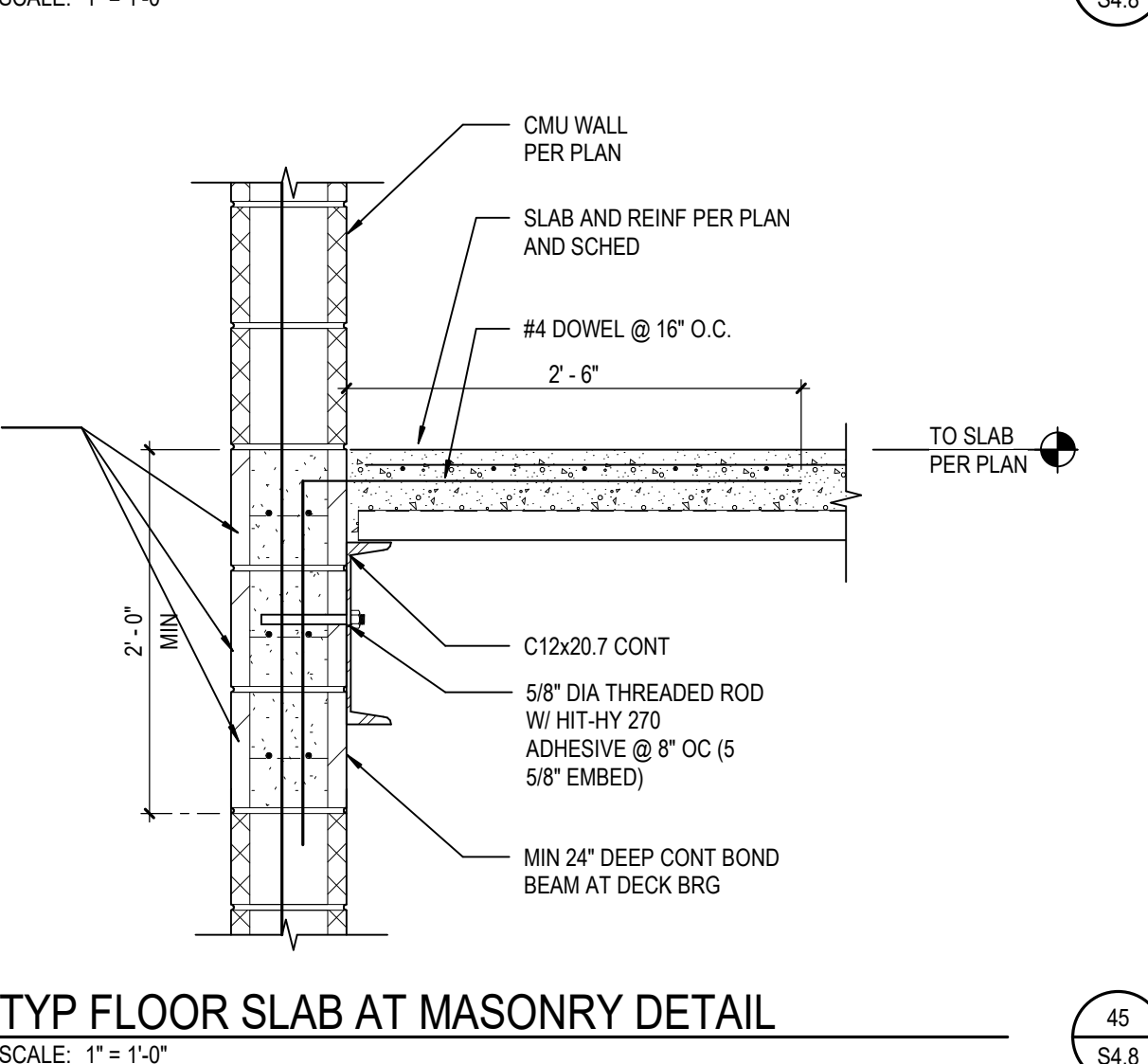
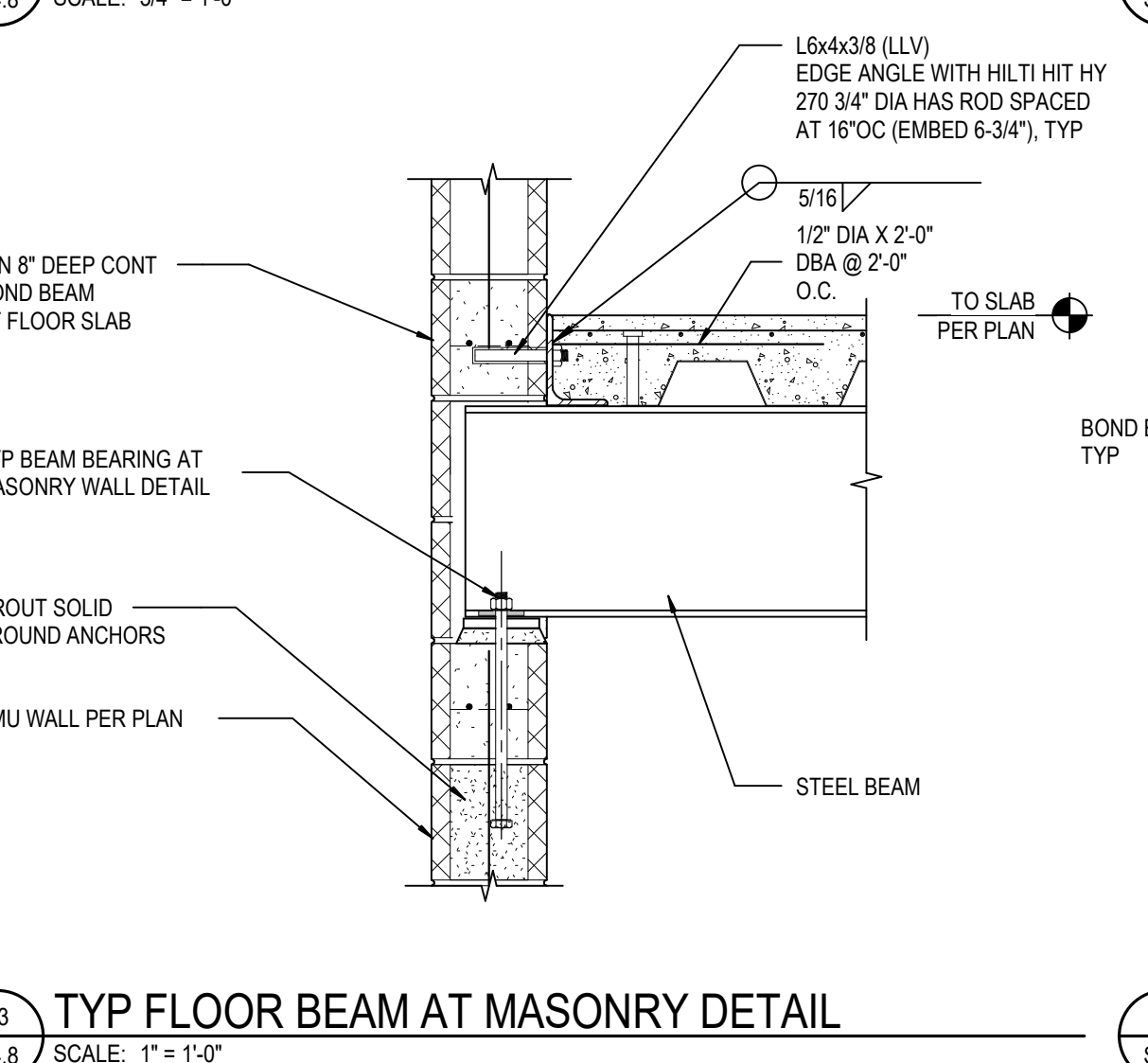
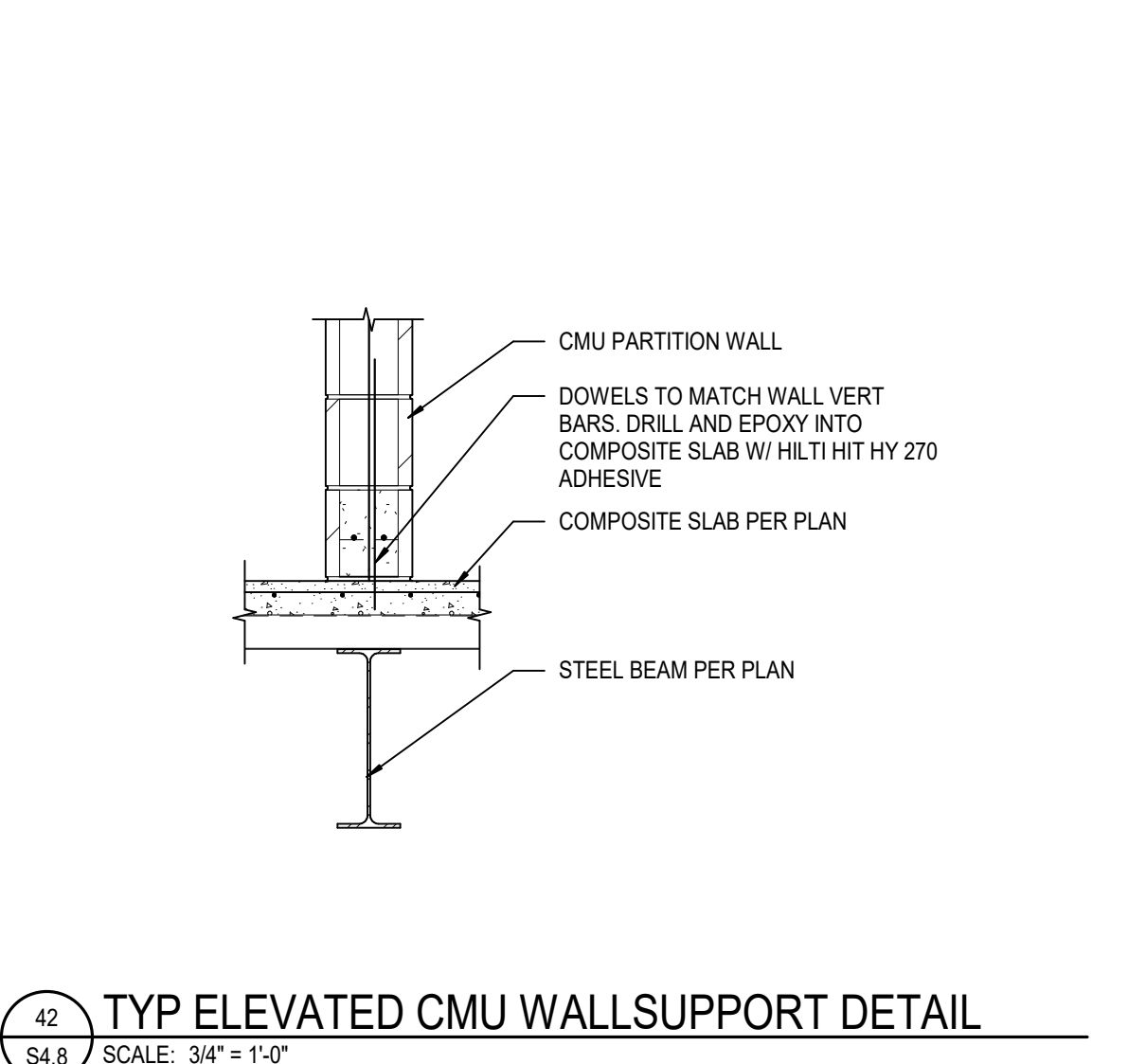
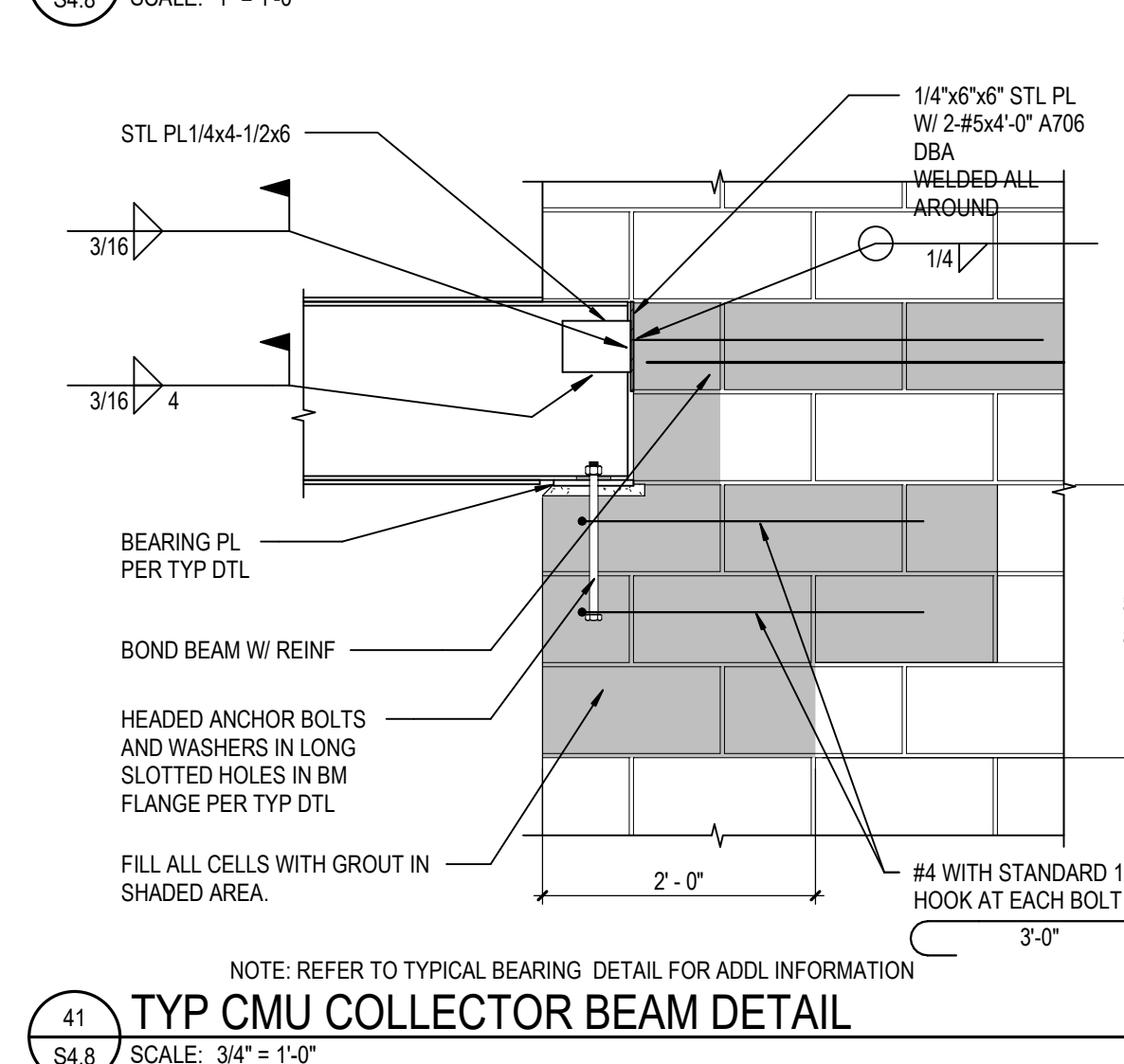
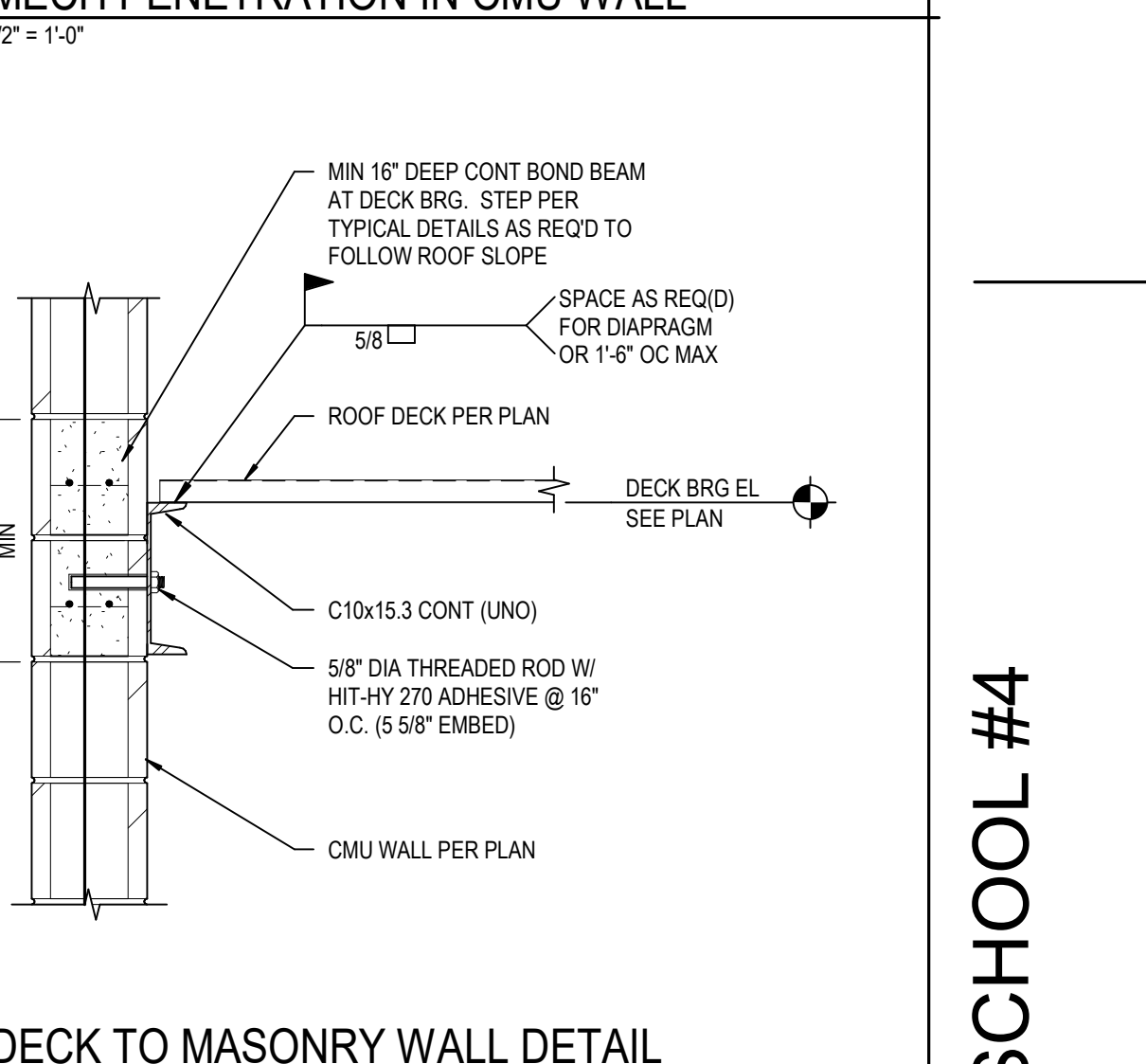
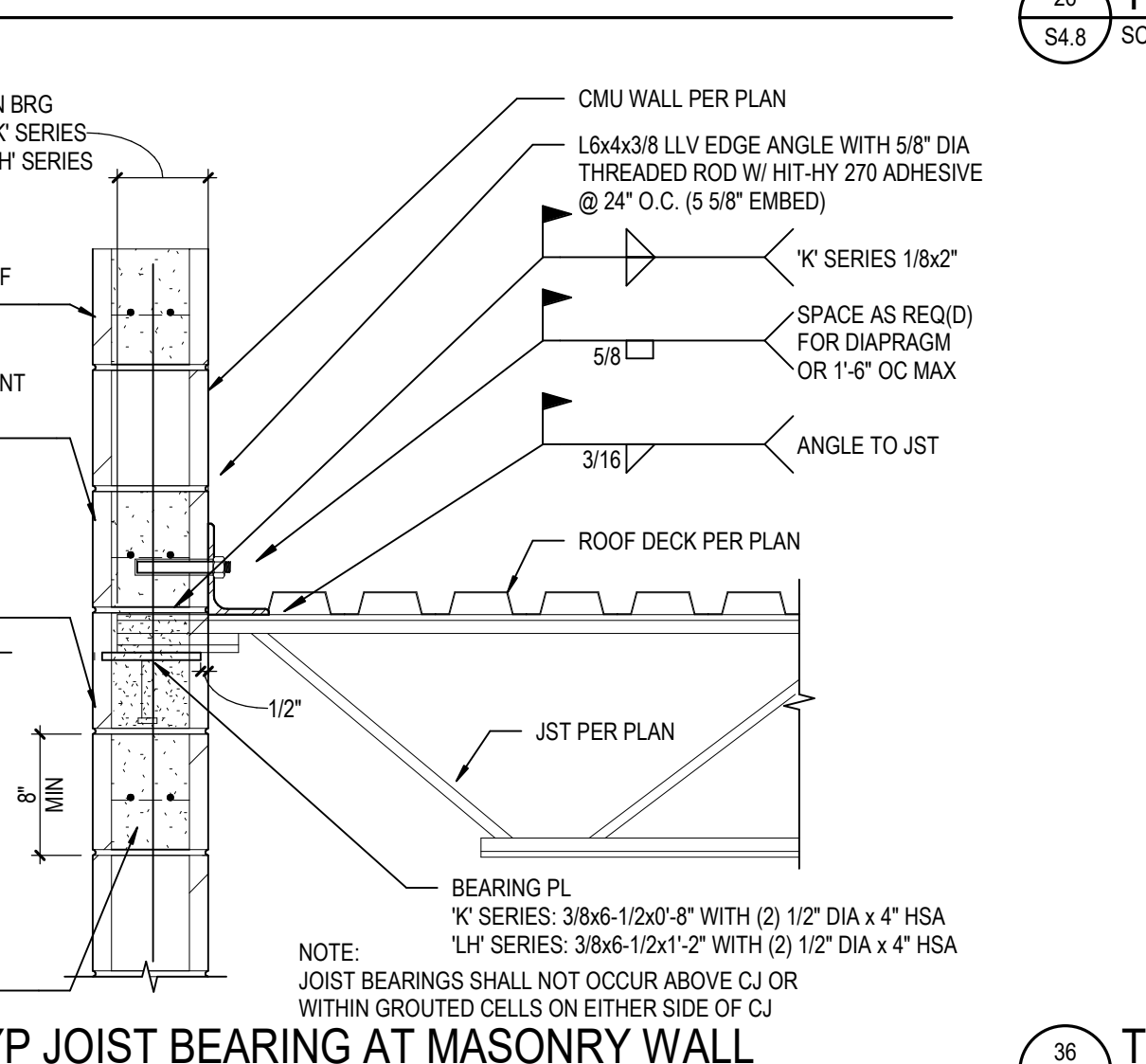
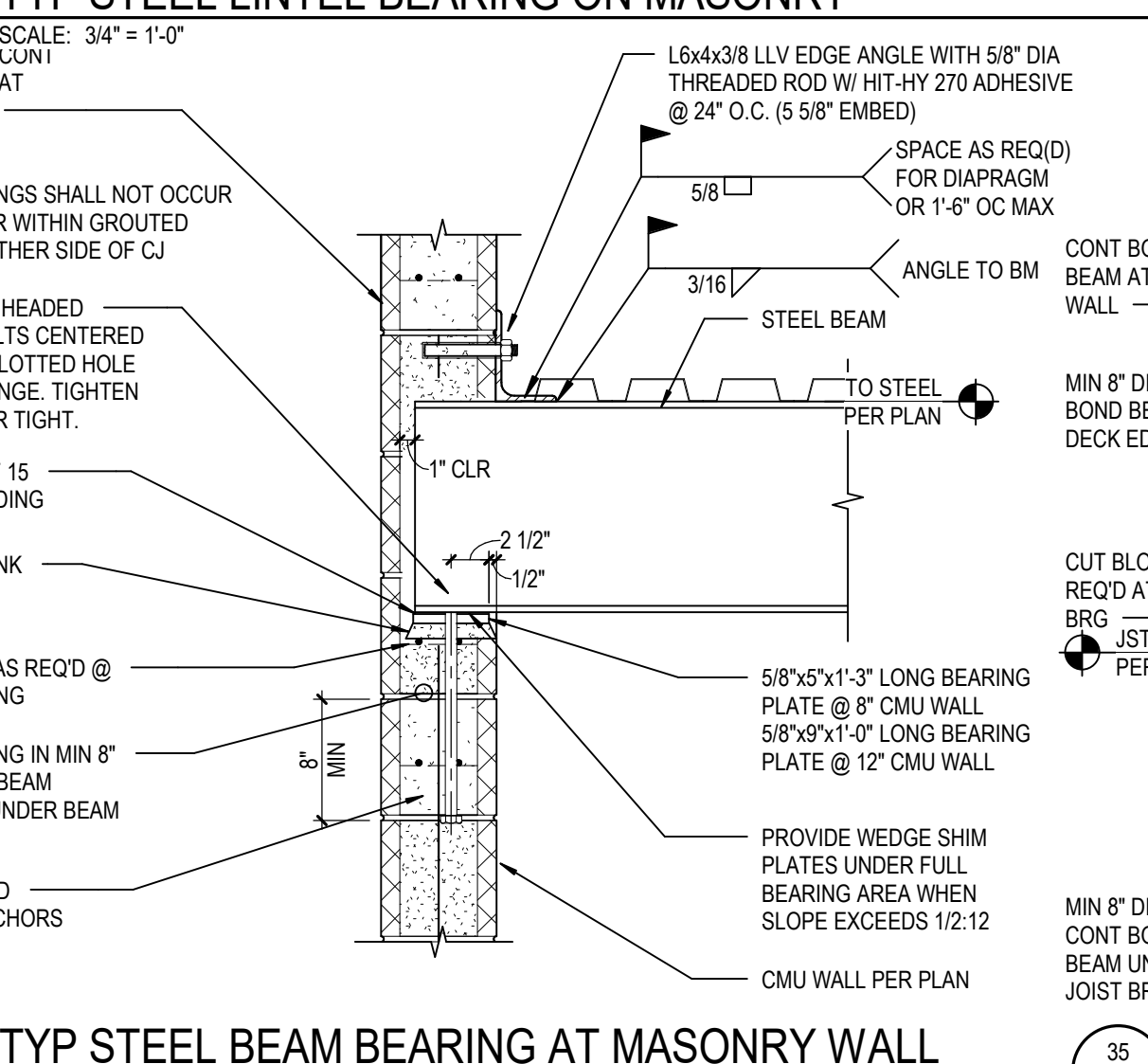
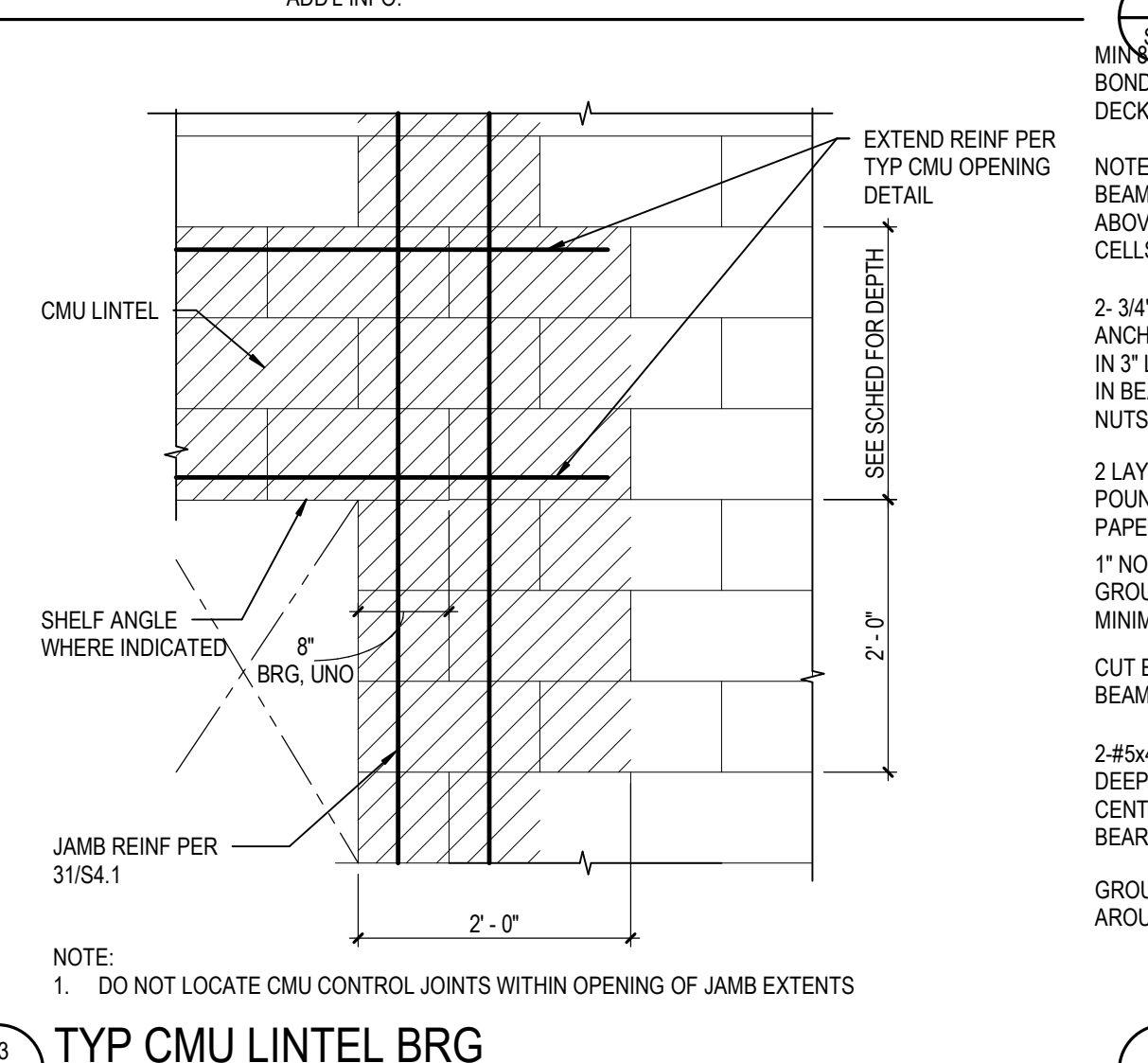
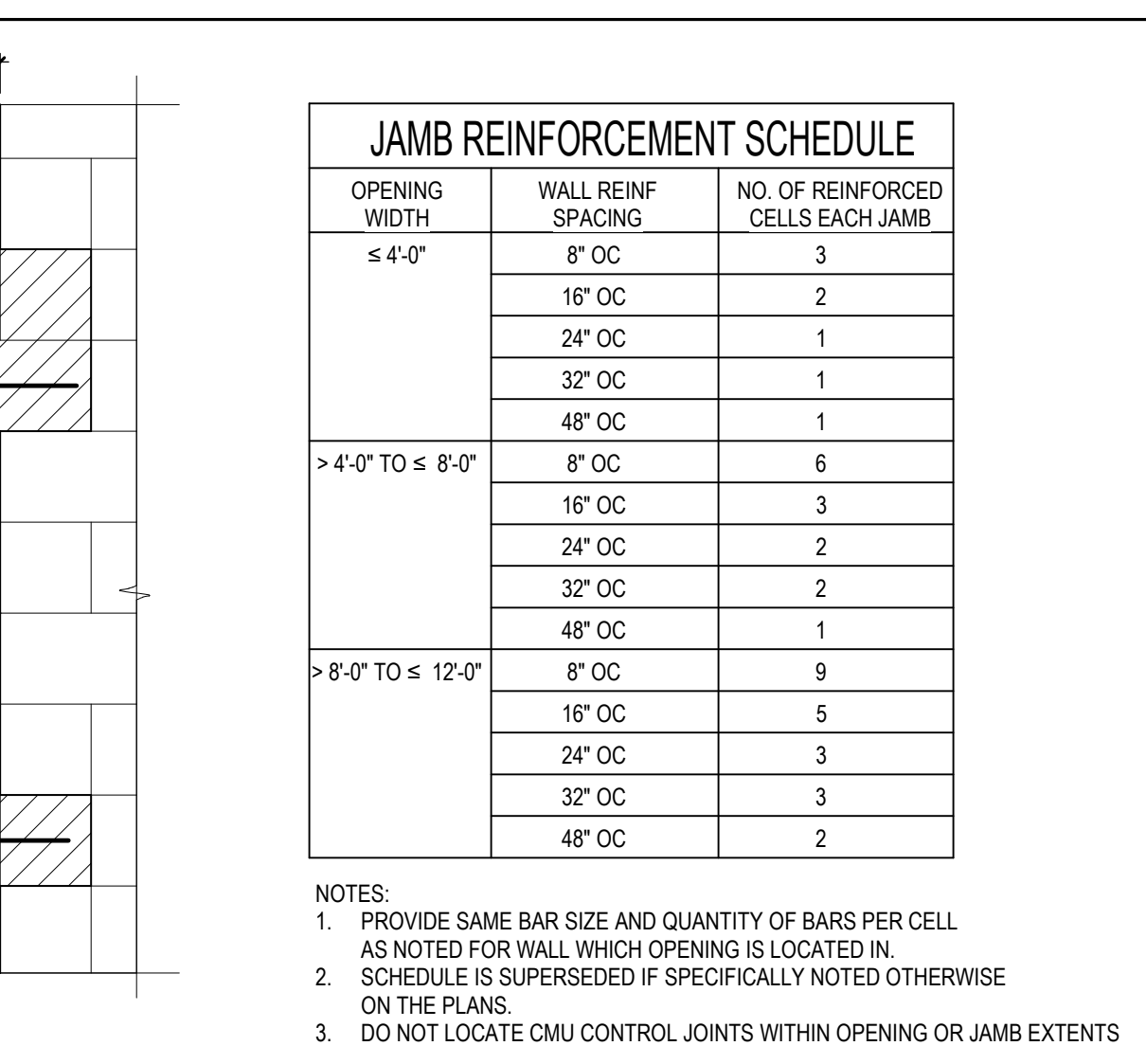
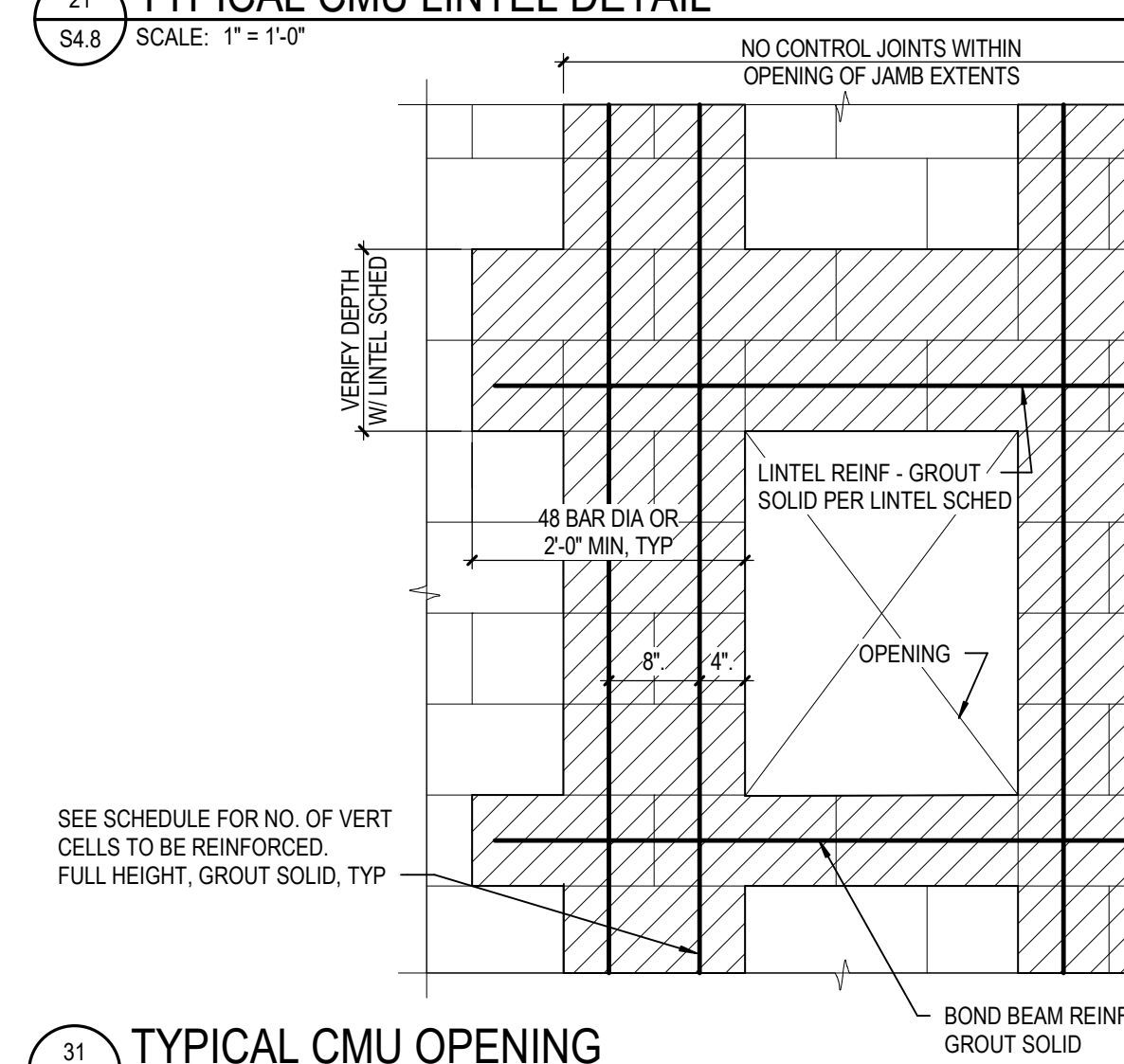
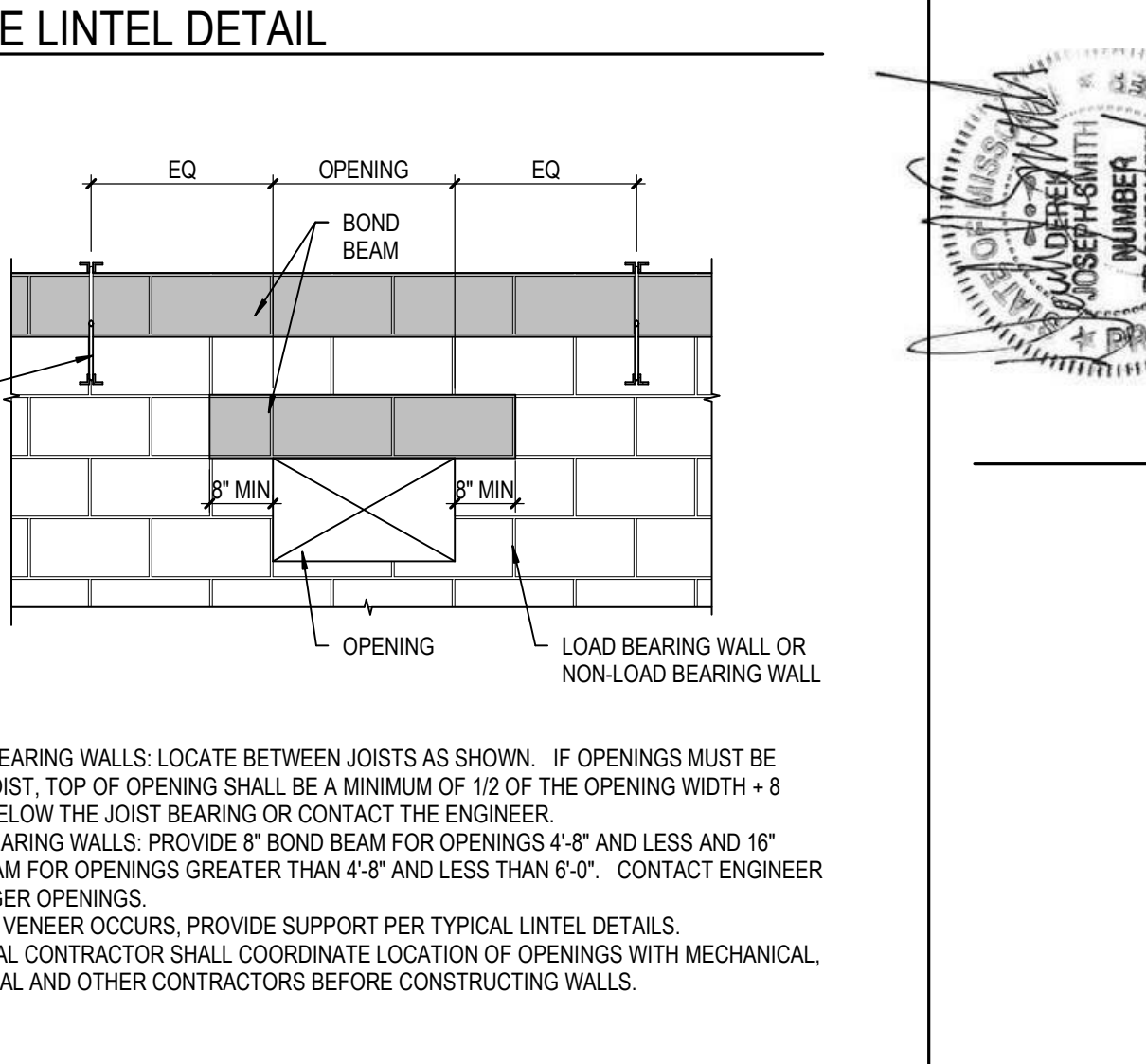
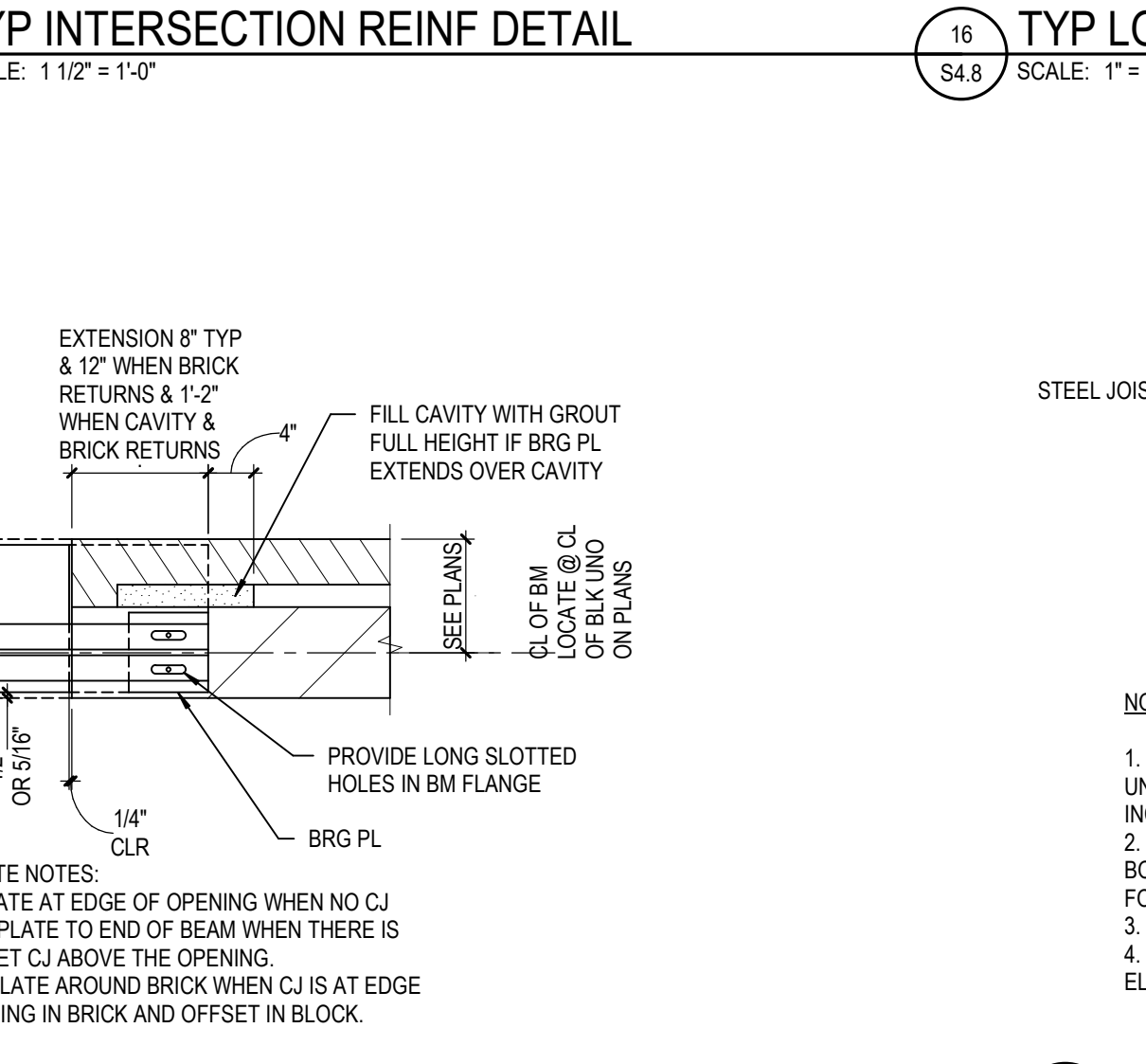
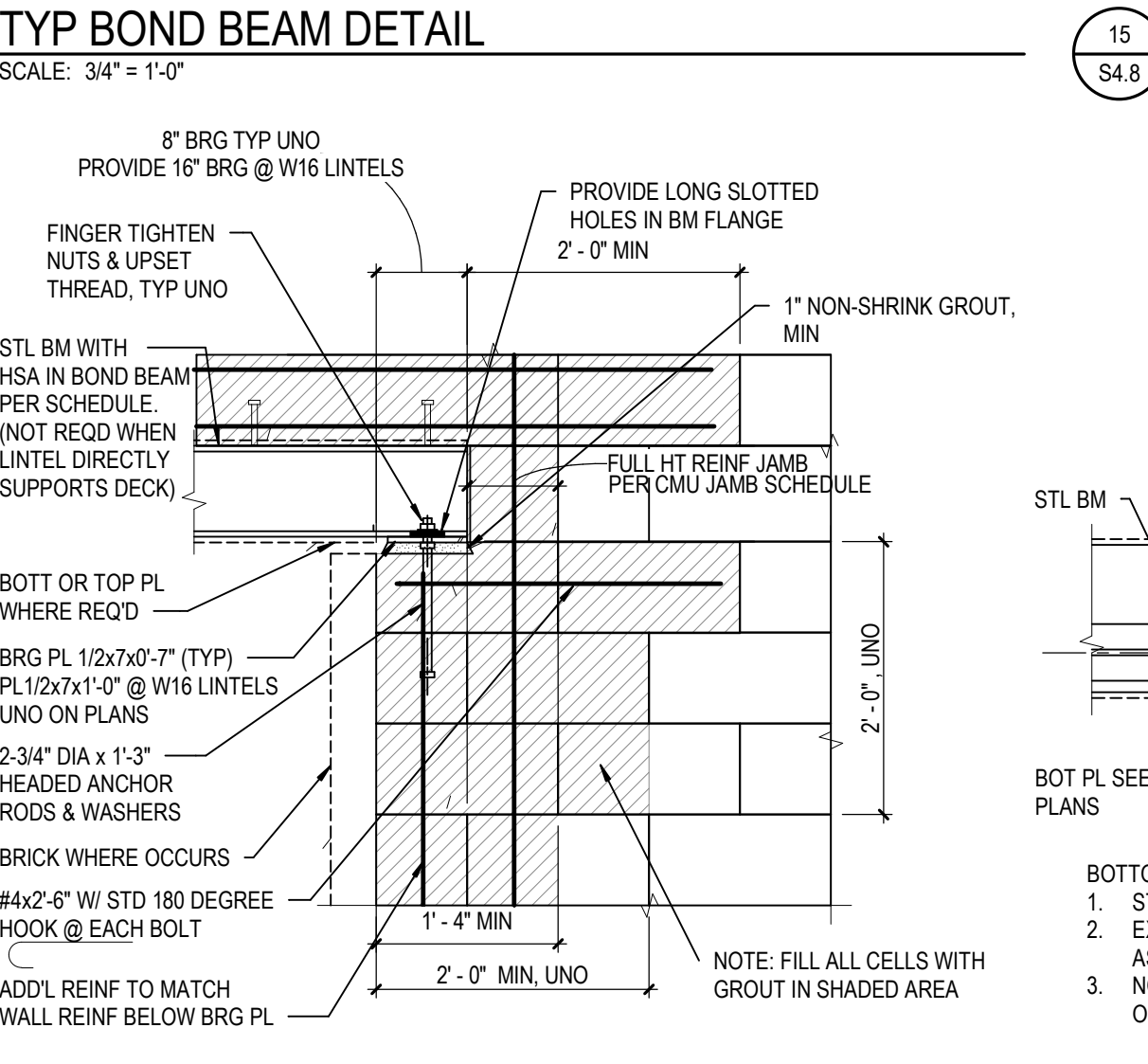
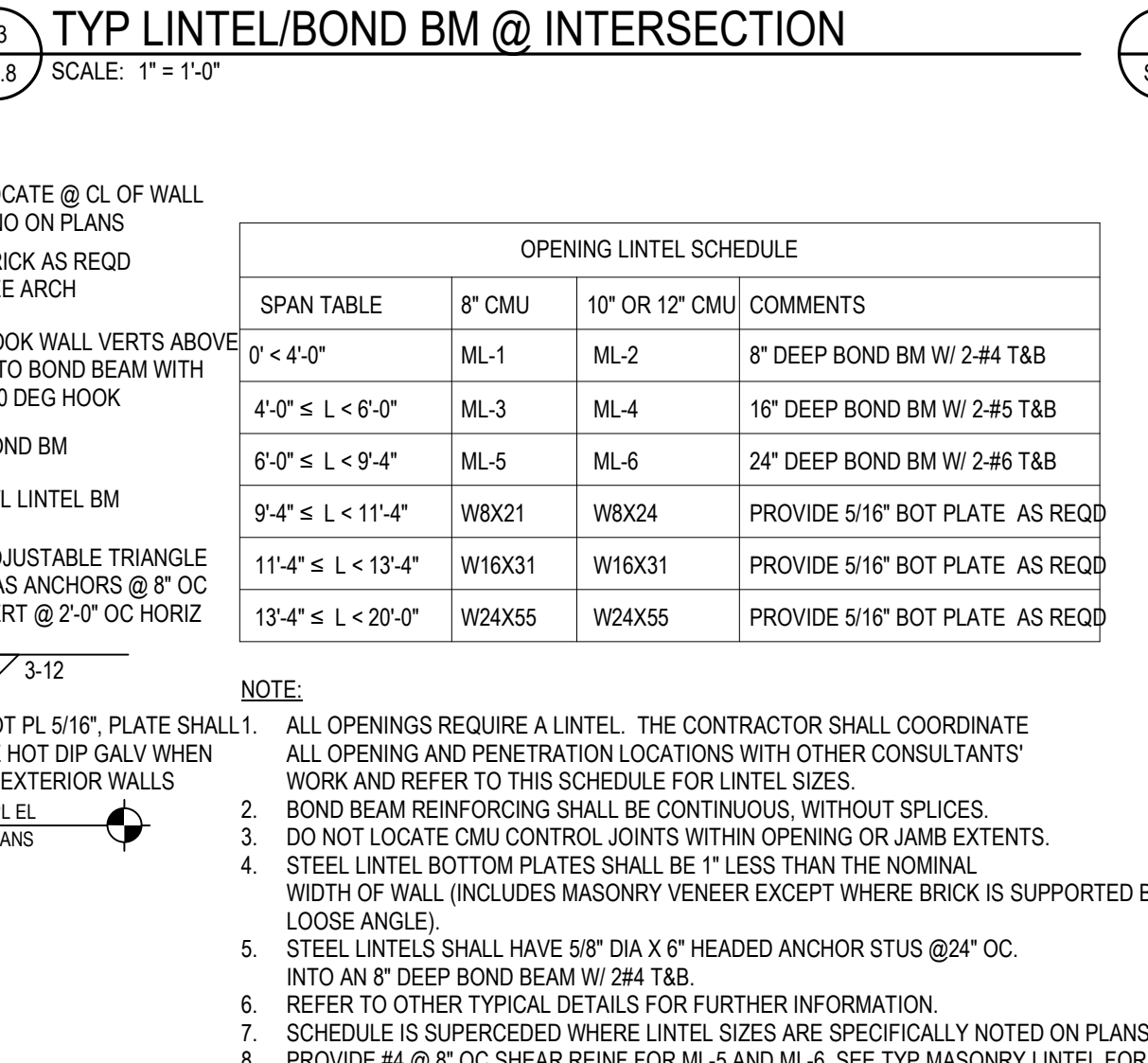
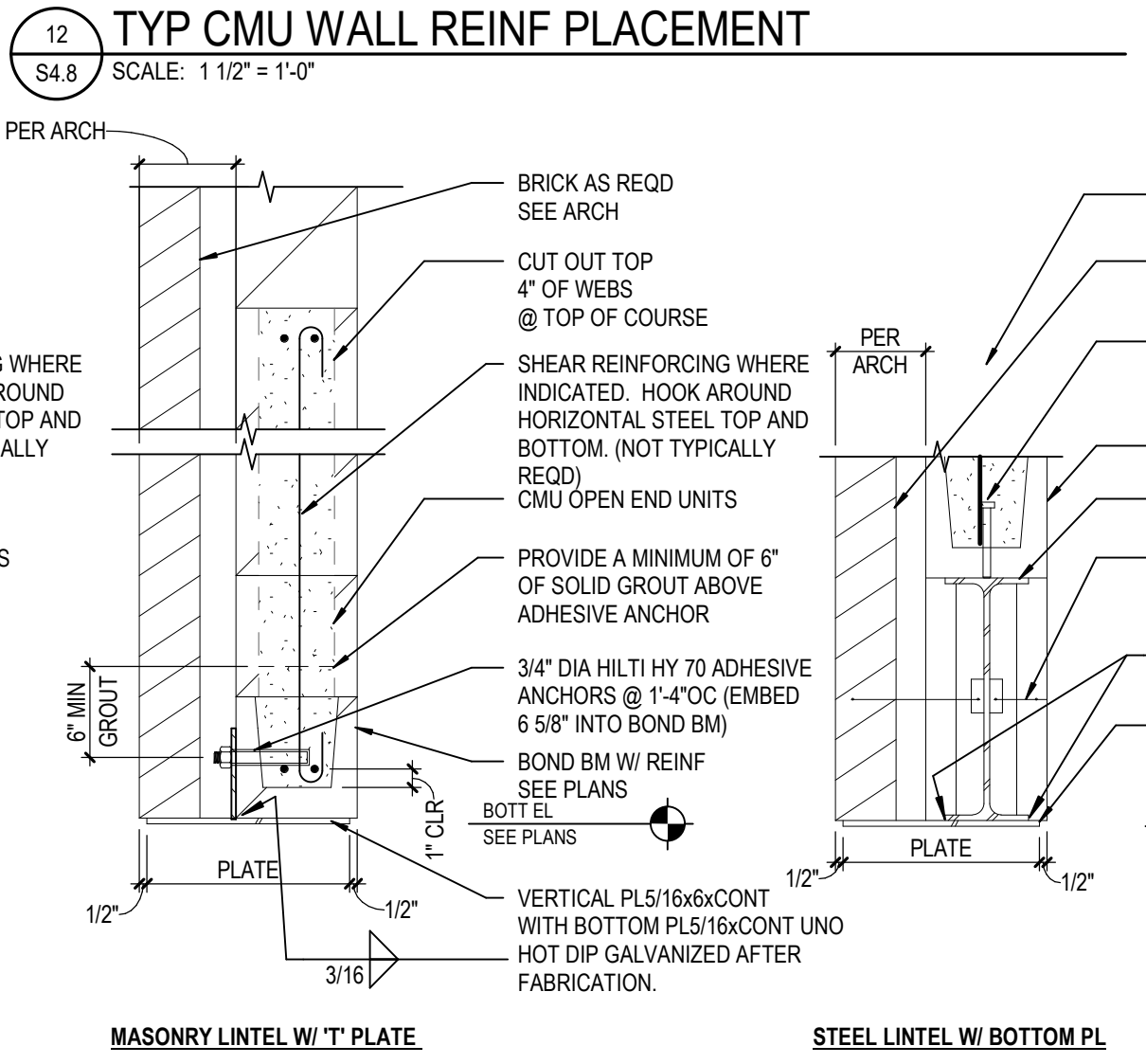
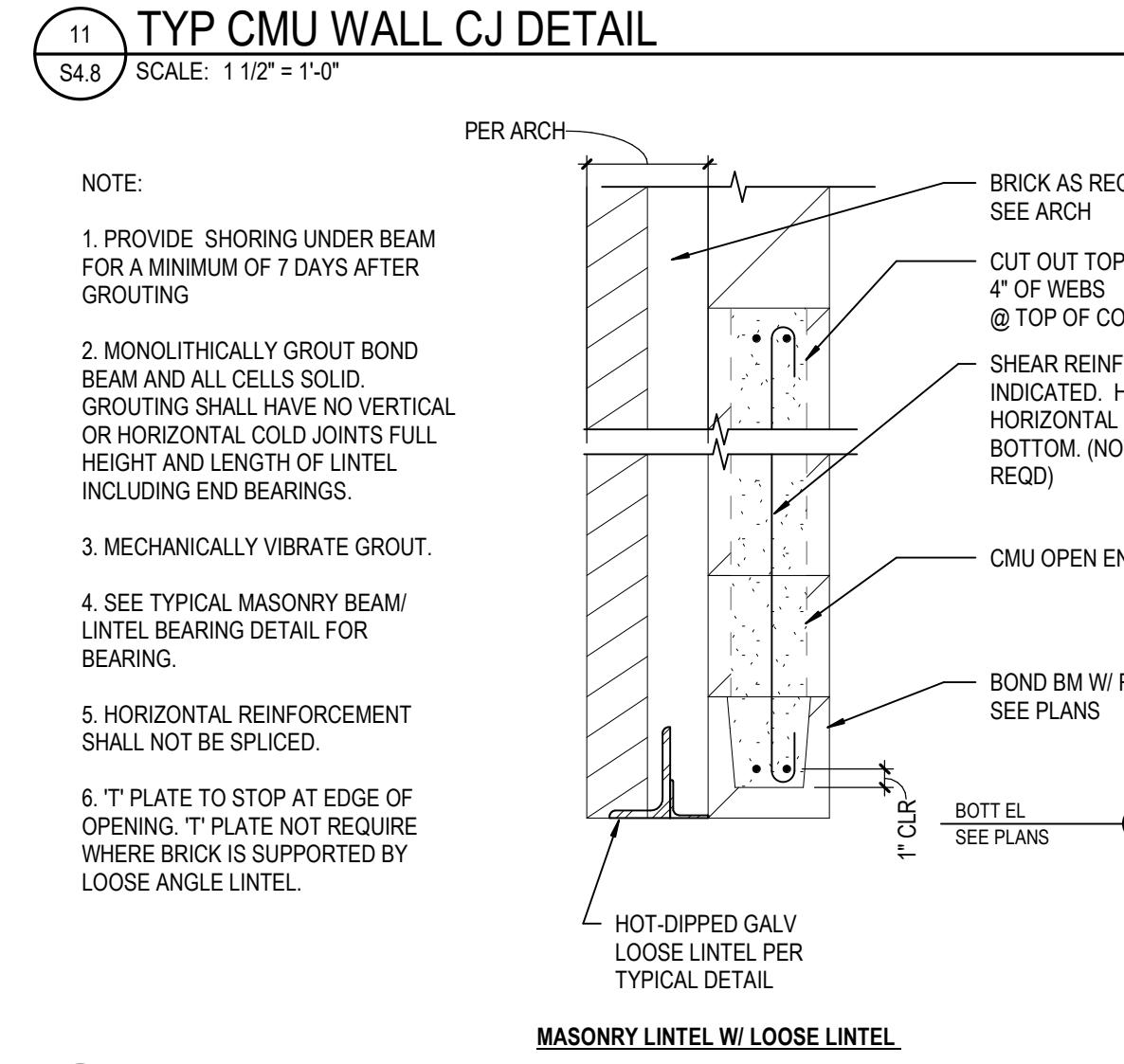
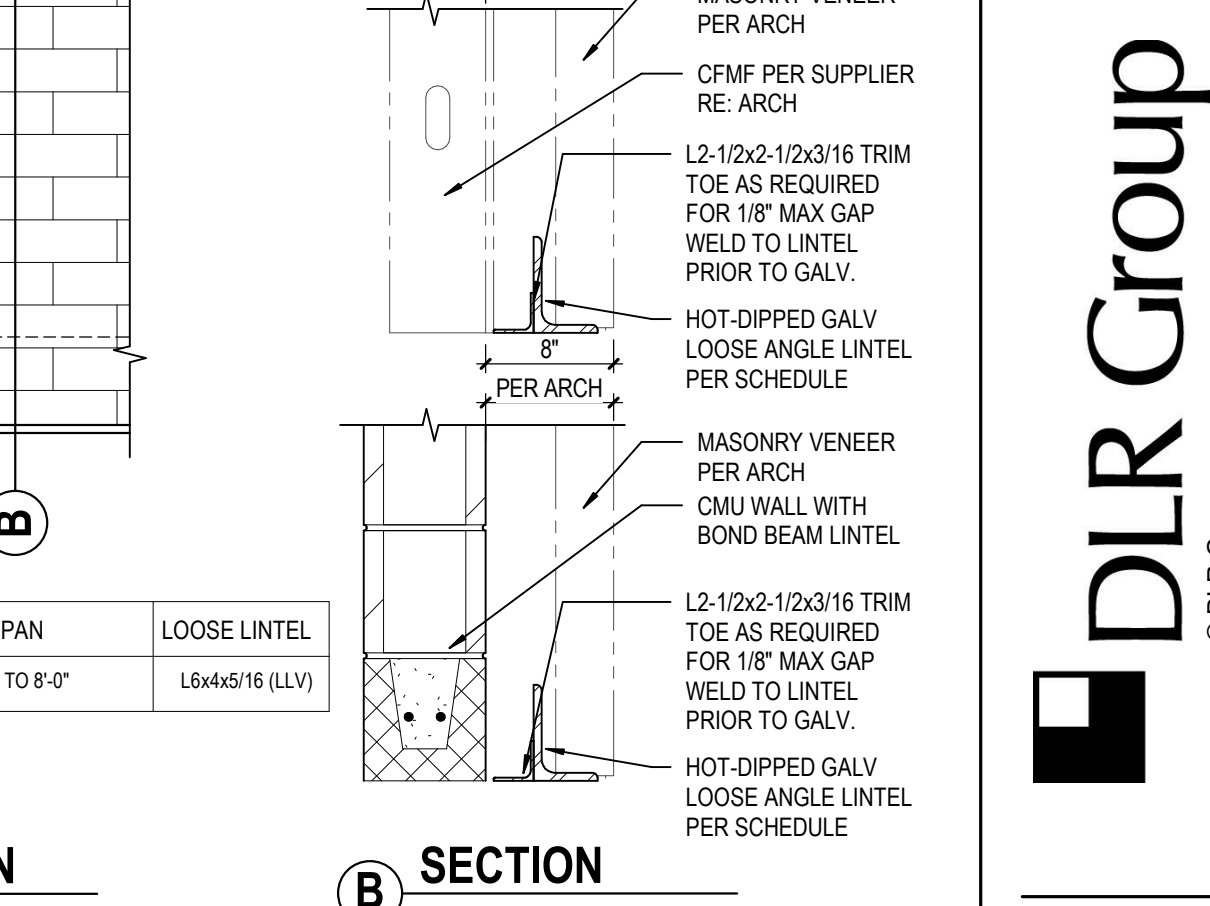
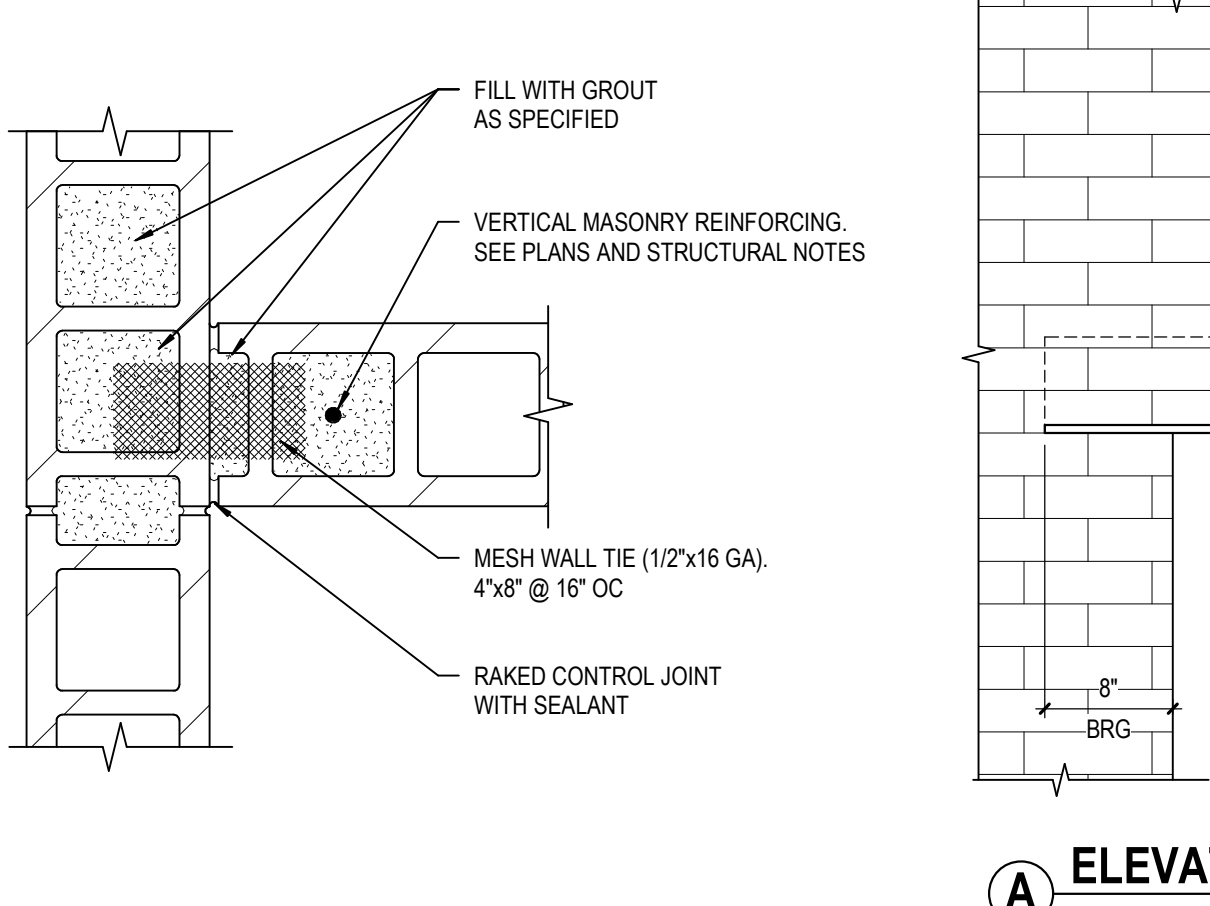
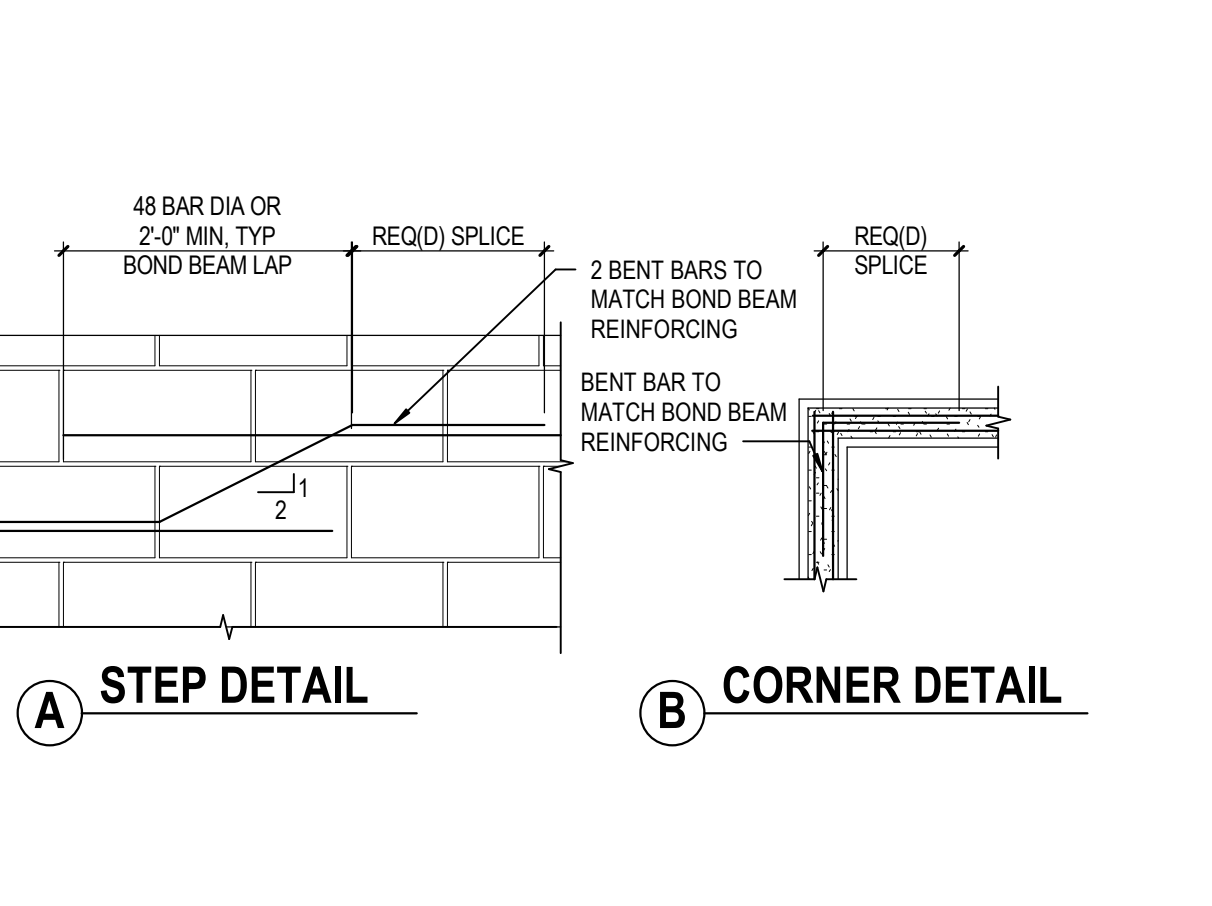
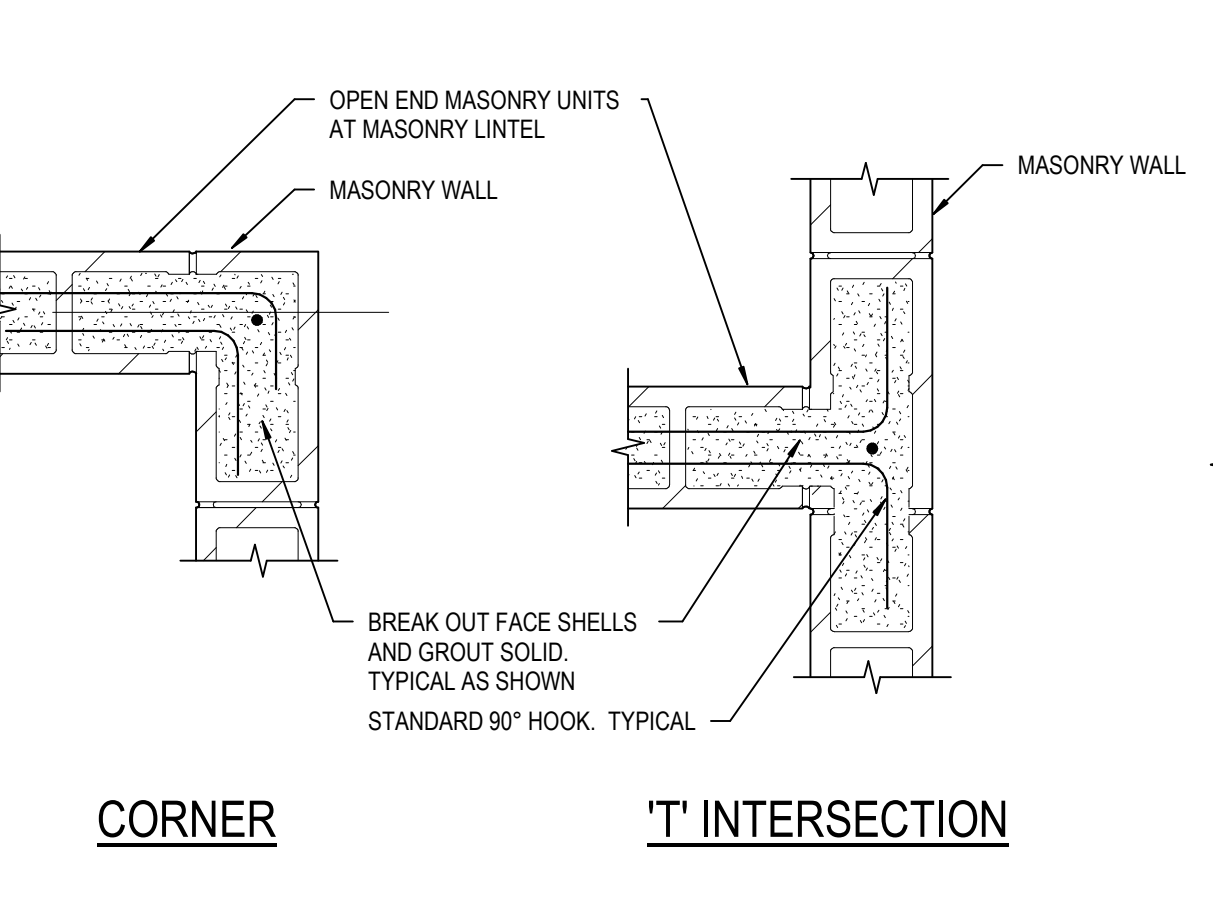
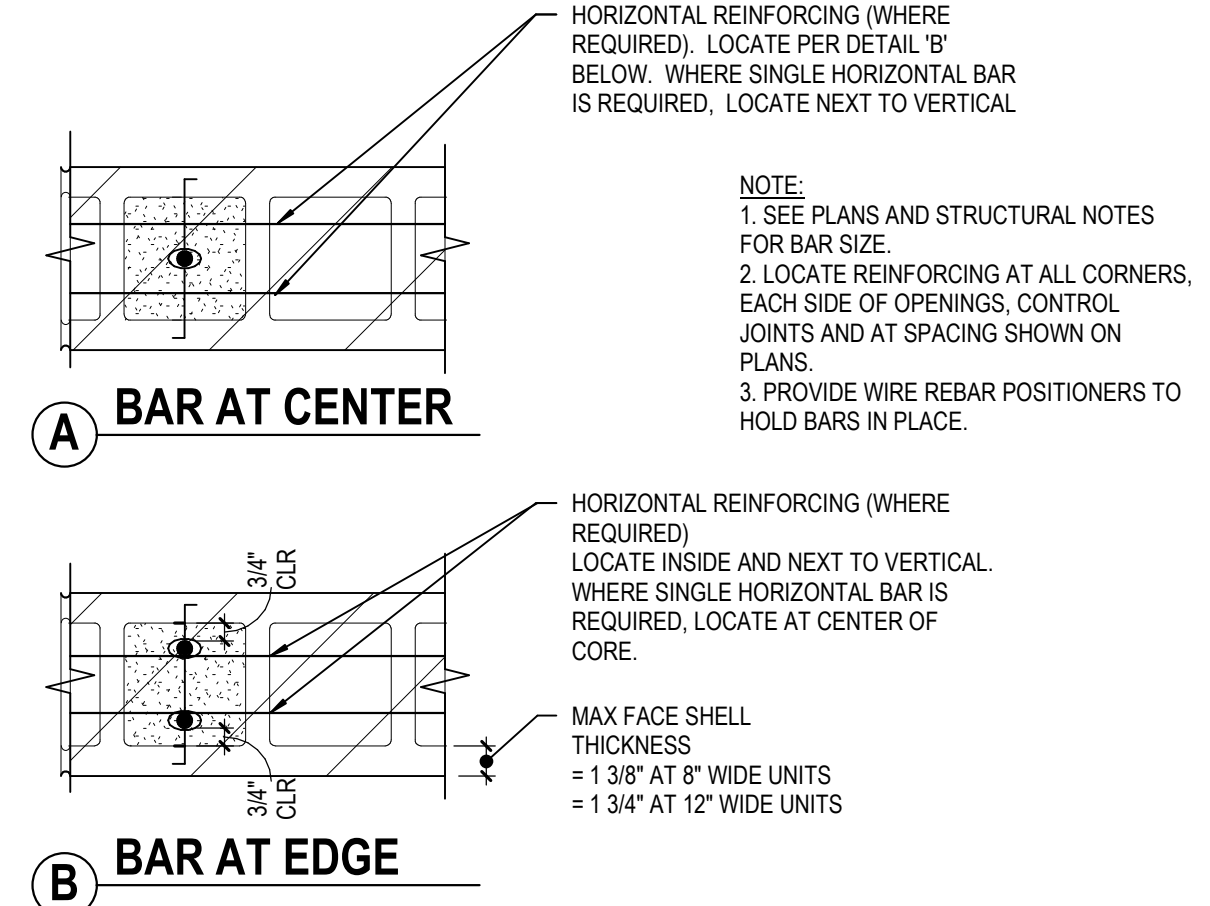
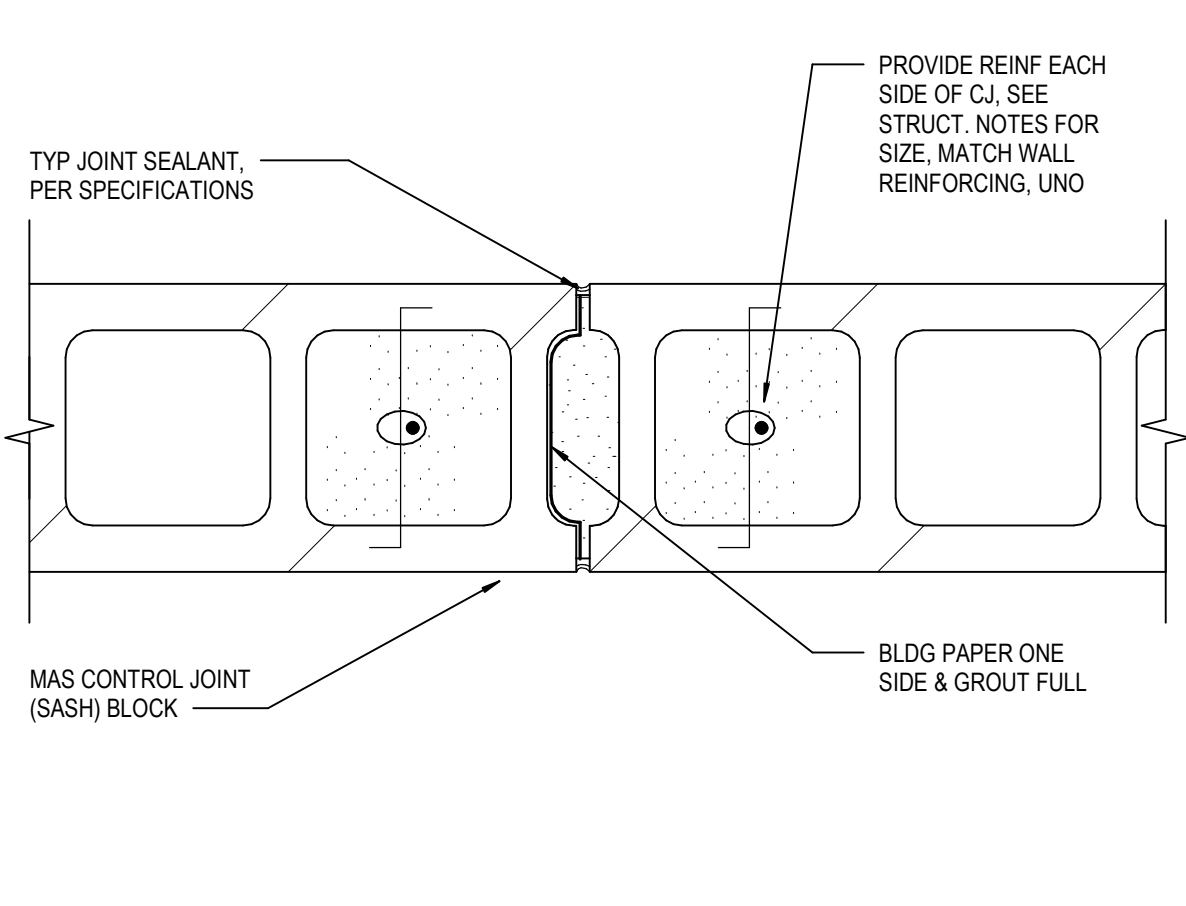


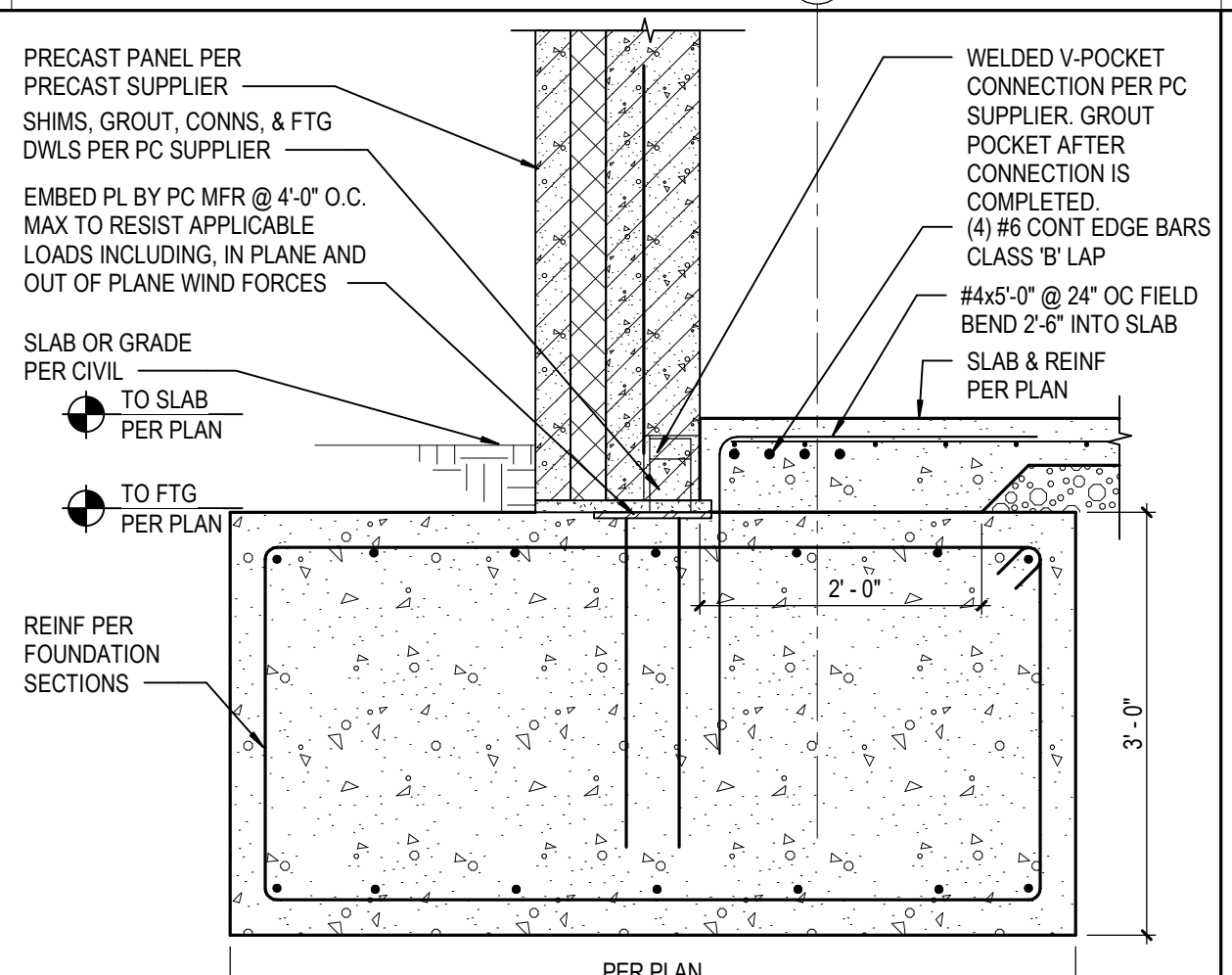
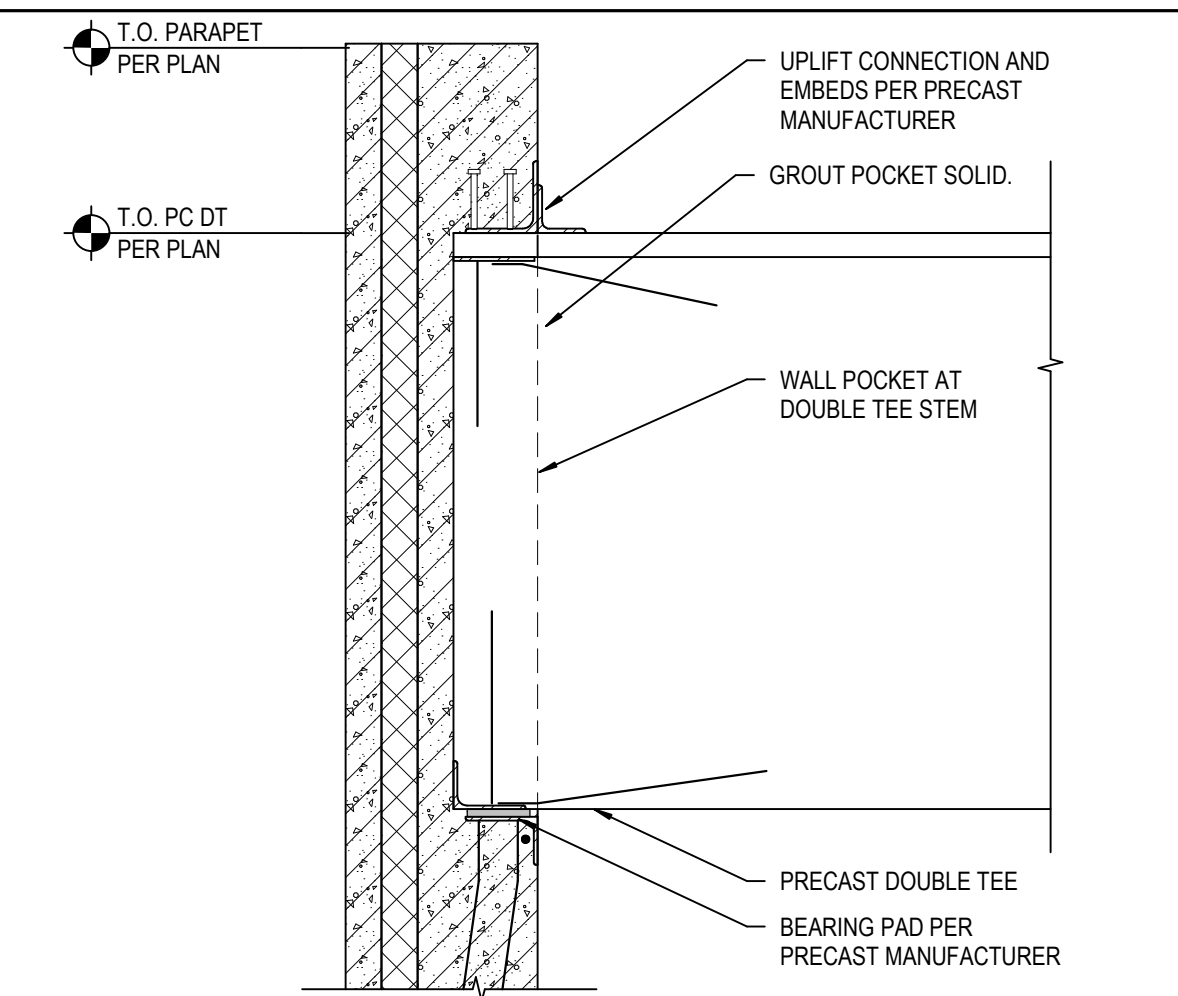
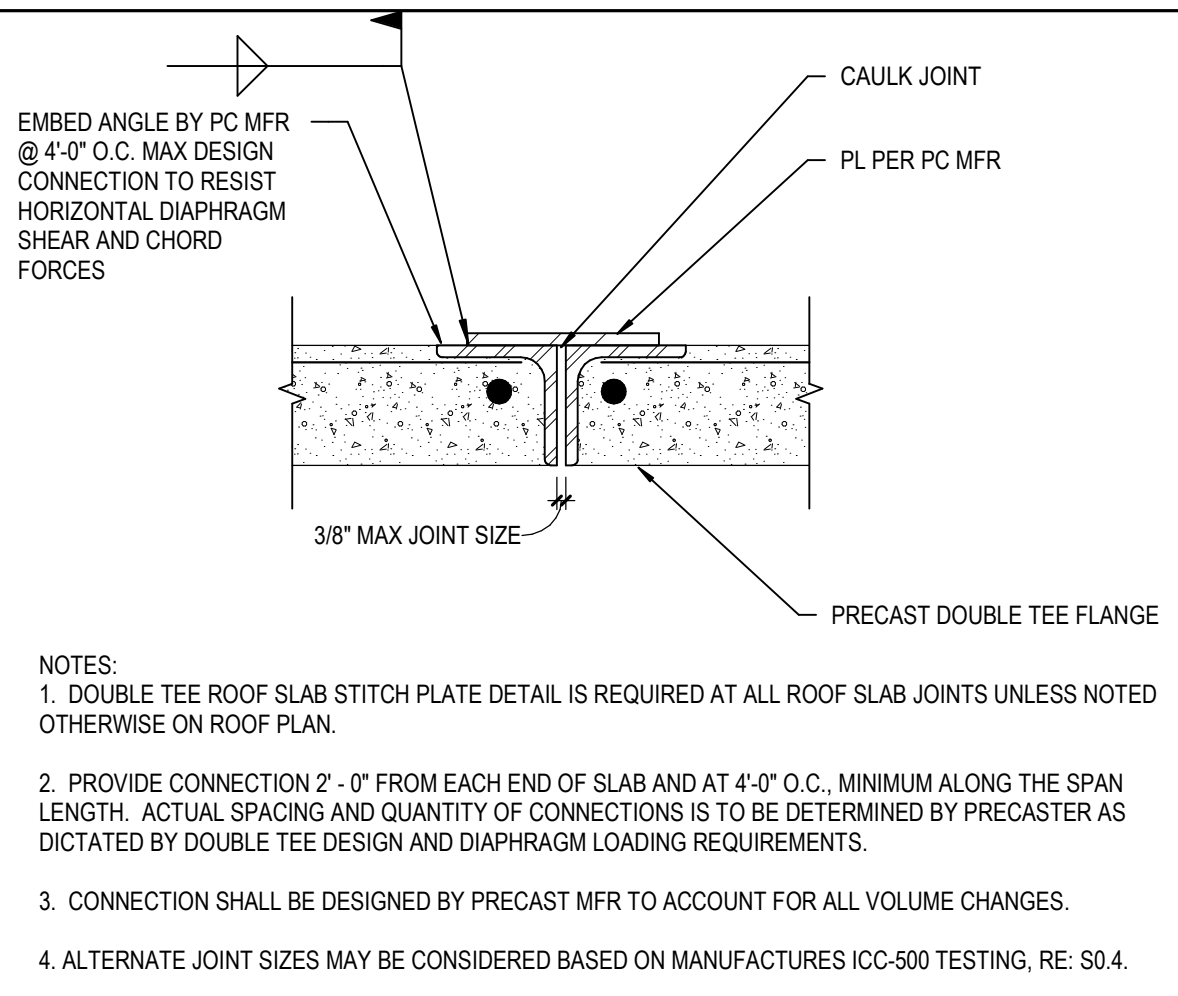
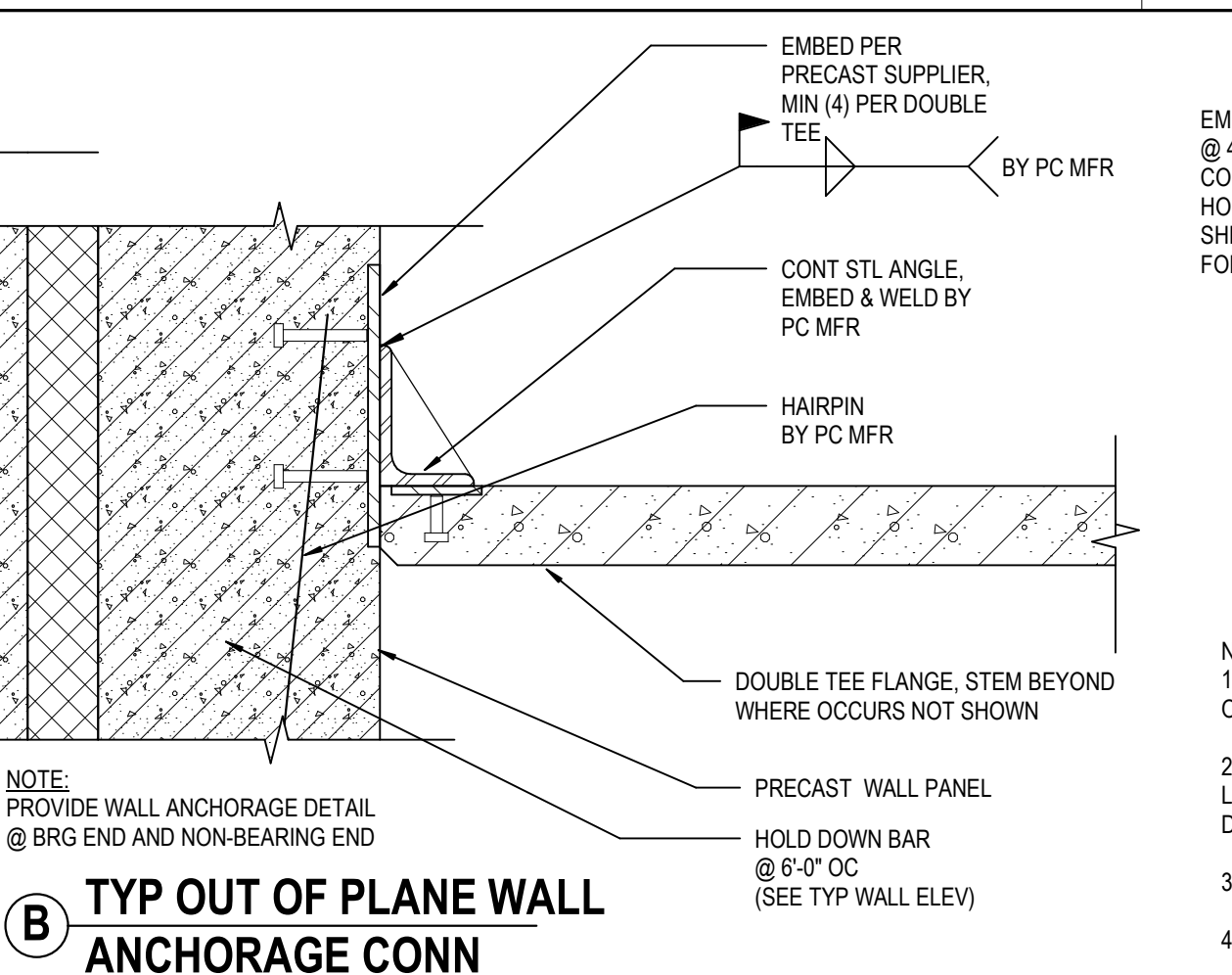
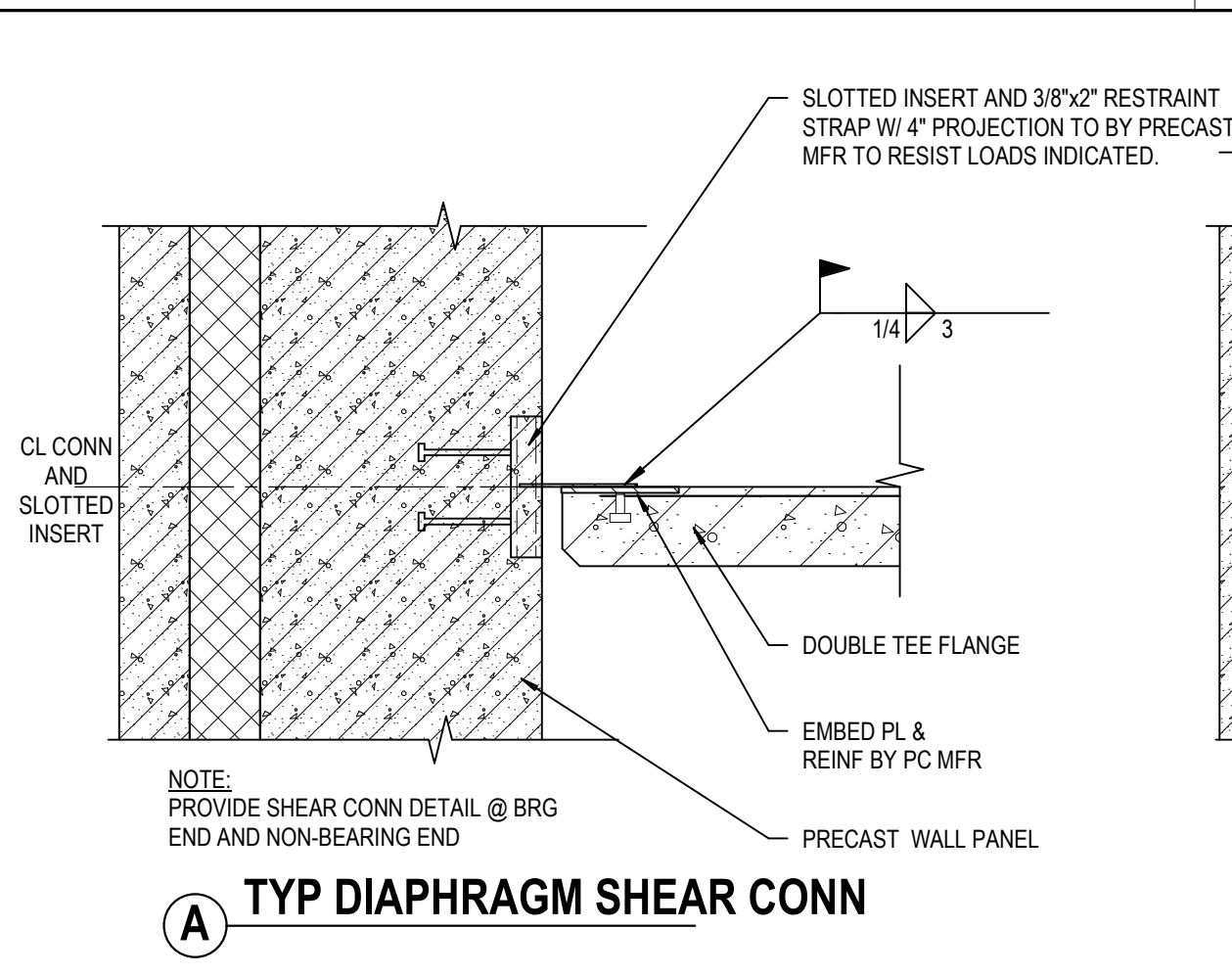
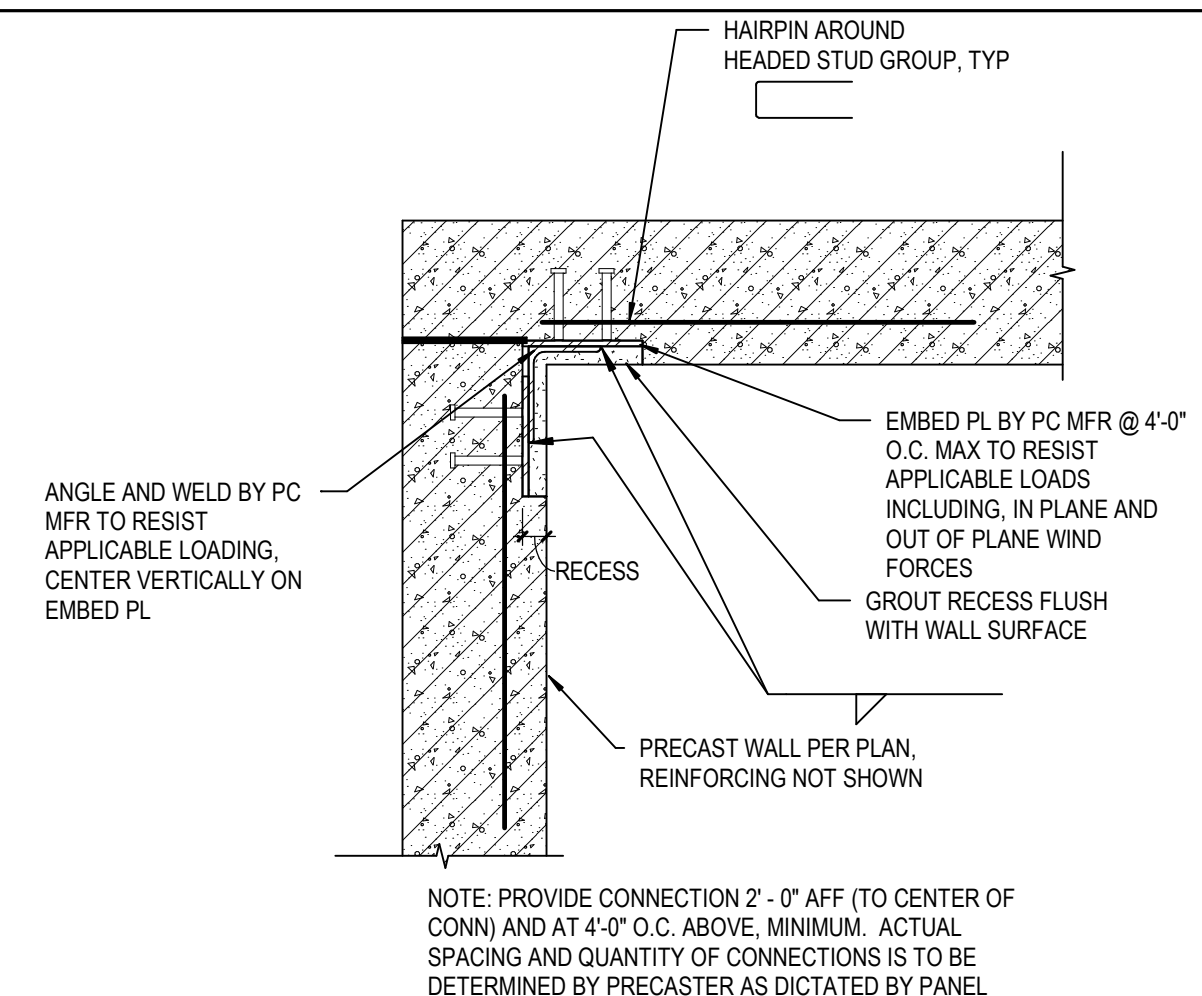
42 SECTION
 S4.7 SCALE: 1 1/2" = 1'-0"



43 SECTION
 S4.7 SCALE: 3/4" = 1'-0"

B:\020\13-20102-00\Lee's Summit Middle School 4/15/20/102-00_Lee's Summit Middle School - S4.7_2020.rvt
 10/7/2020 4:38:28 PM





11 TYPICAL CORNER CONNECTION
S4.9 SCALE: 3/4" = 1'-0"

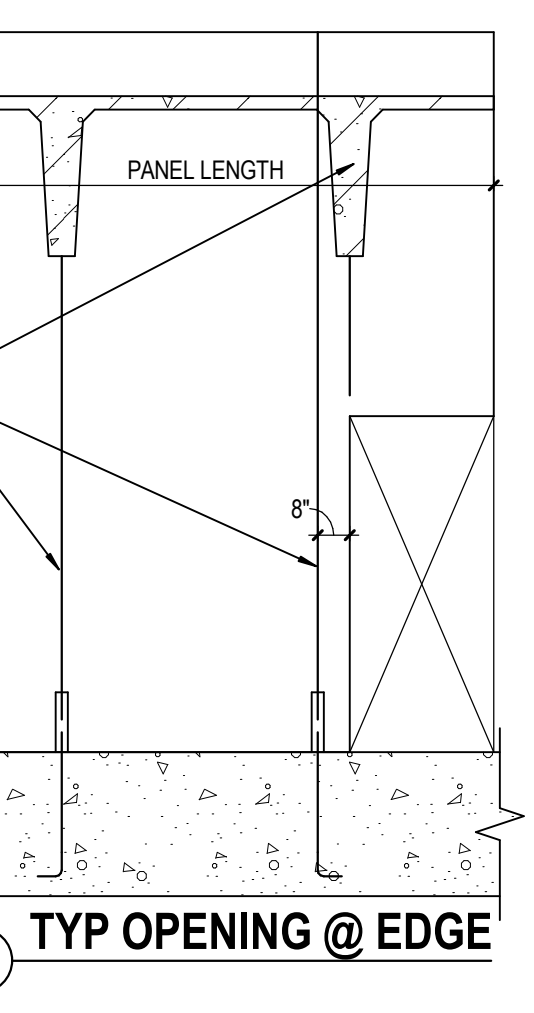
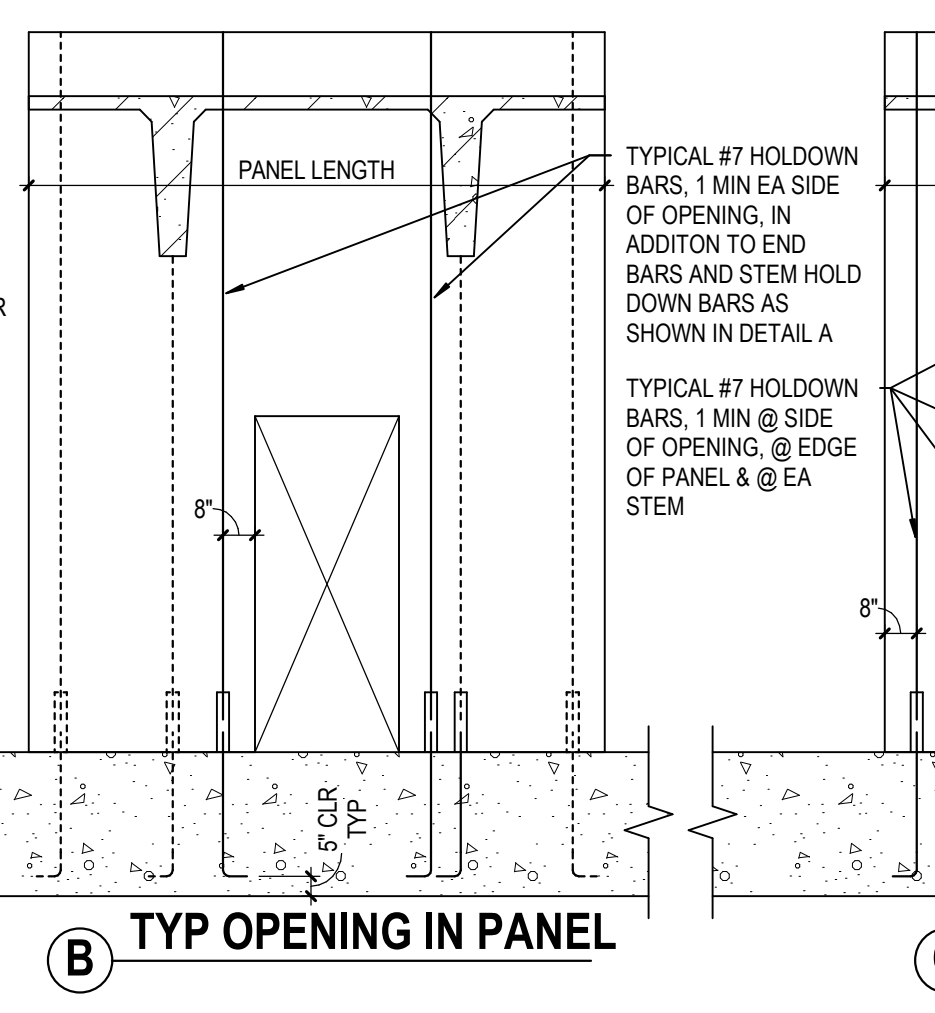
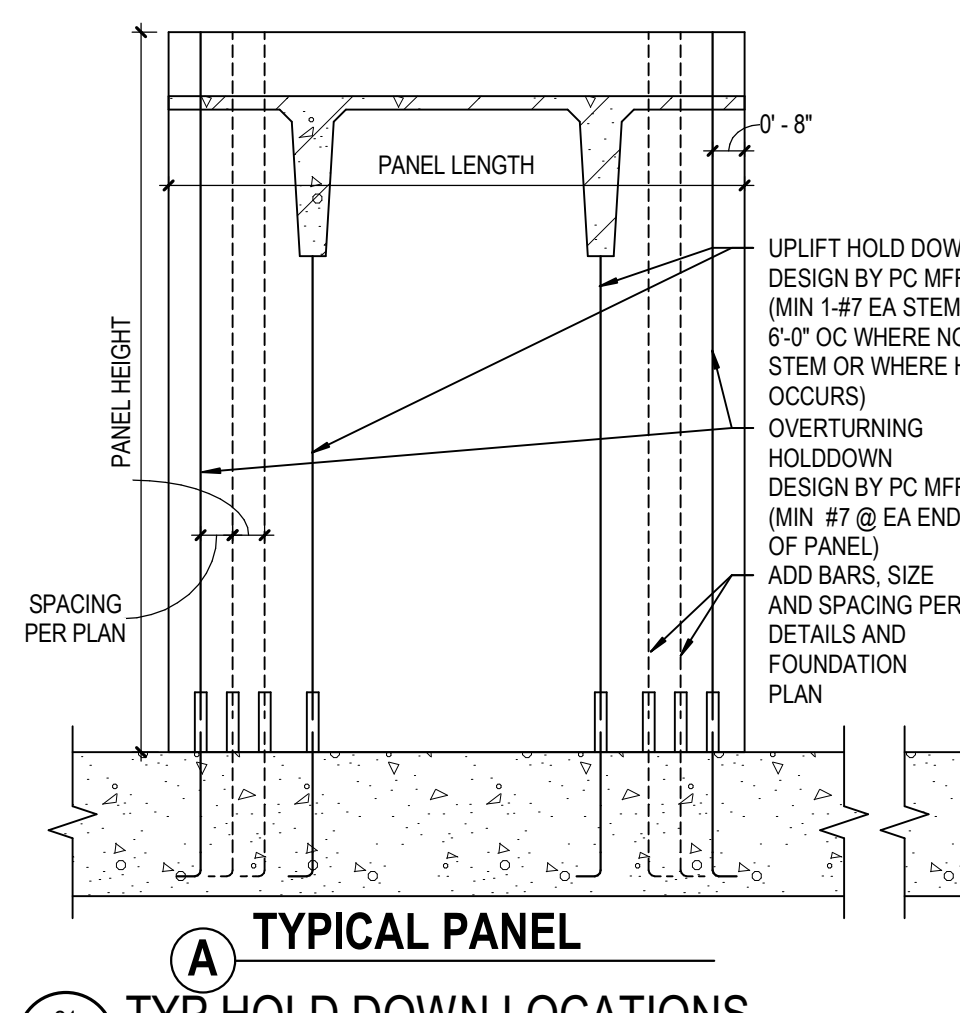
12 TYP PRECAST WALL TO DIAPHRAGM CONN DET
S4.9 SCALE: 1 1/2" = 1'-0"

13 TYP OUT OF PLANE WALL ANCHORAGE CONN
S4.9 SCALE: 3" = 1'-0"

14 TYP DIAPHRAGM CHORD DETAIL
S4.9 SCALE: 3" = 1'-0"

15 TYP DOUBLE TEE / WALL DETAIL
S4.9 SCALE: 3/4" = 1'-0"

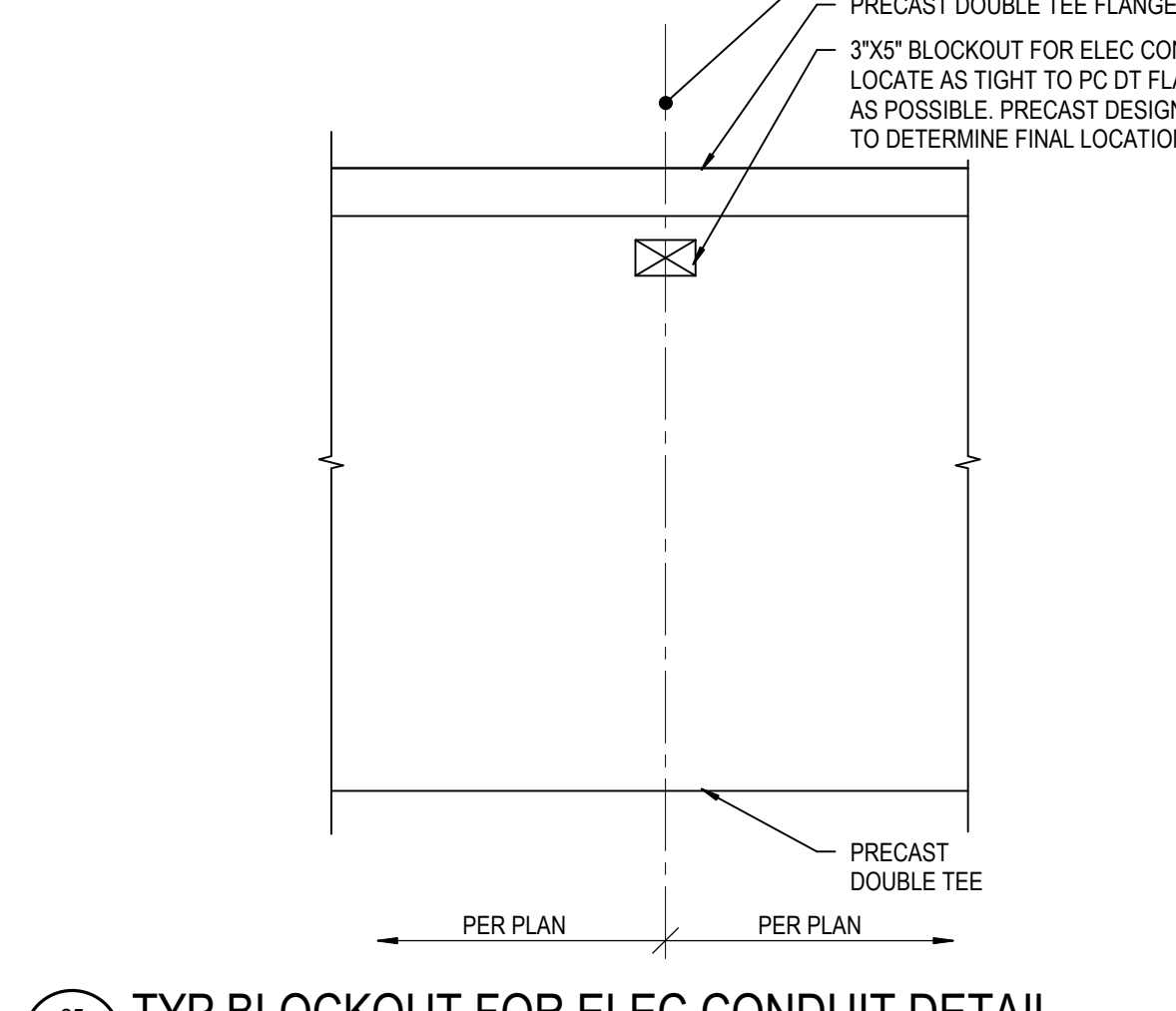
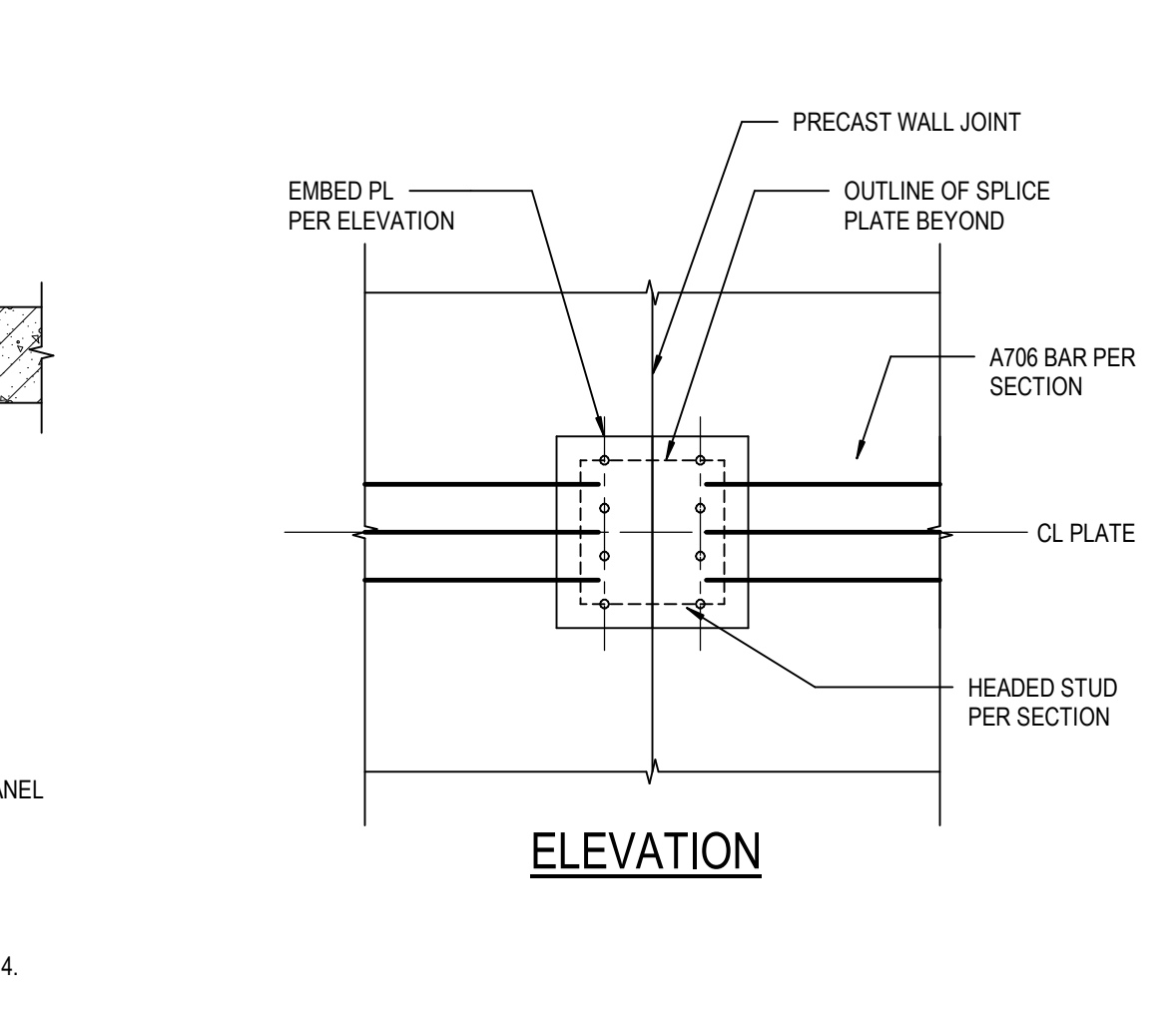
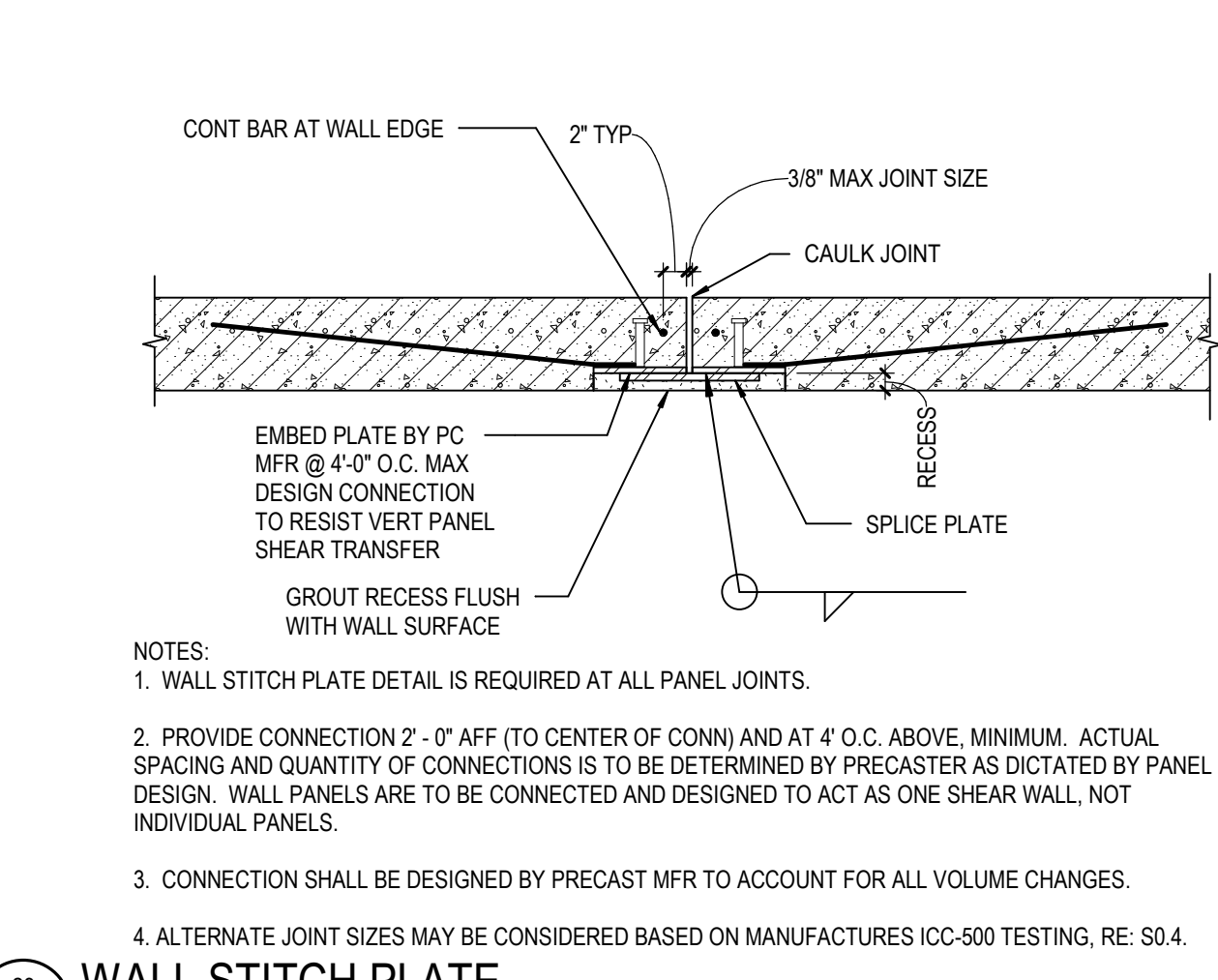
16 TYP PRECAST FOUNDATION CONNECTION
S4.9 SCALE: 3/4" = 1'-0"



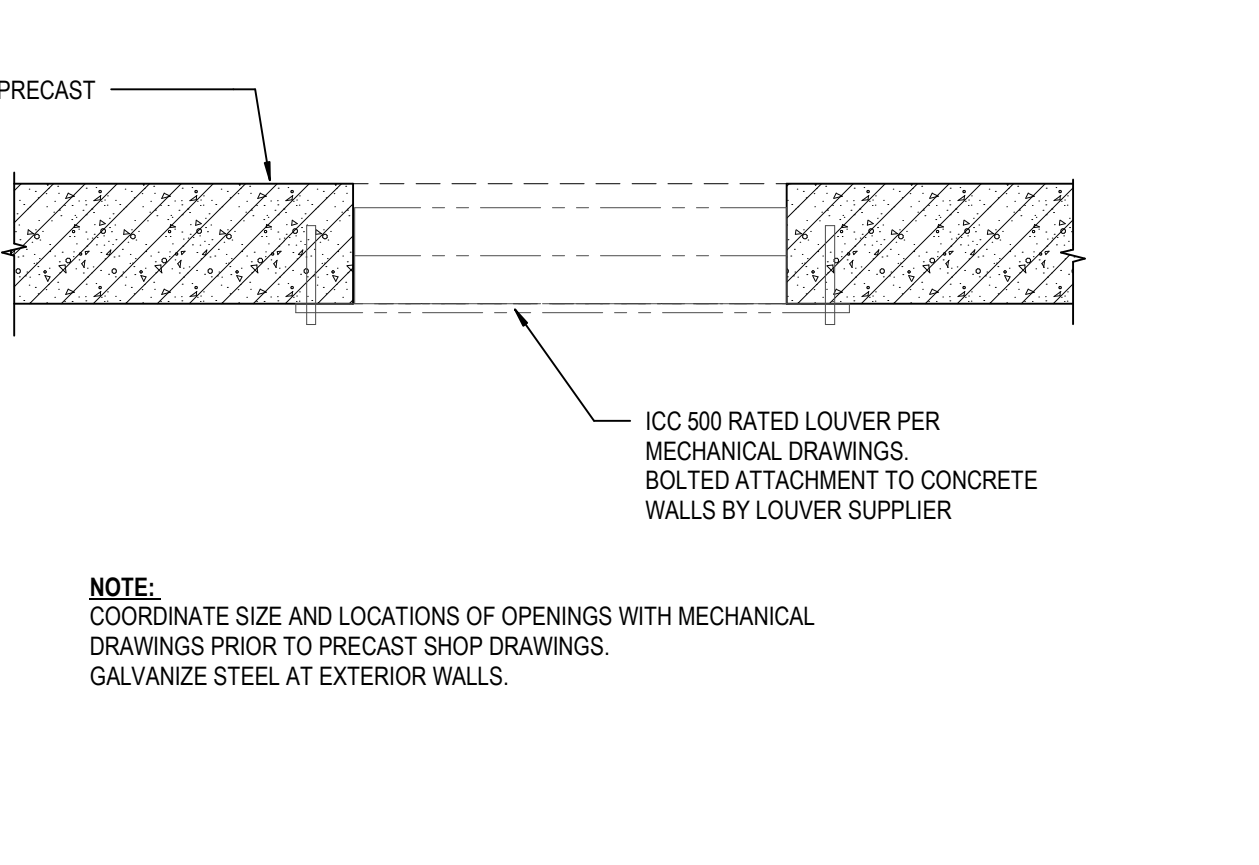
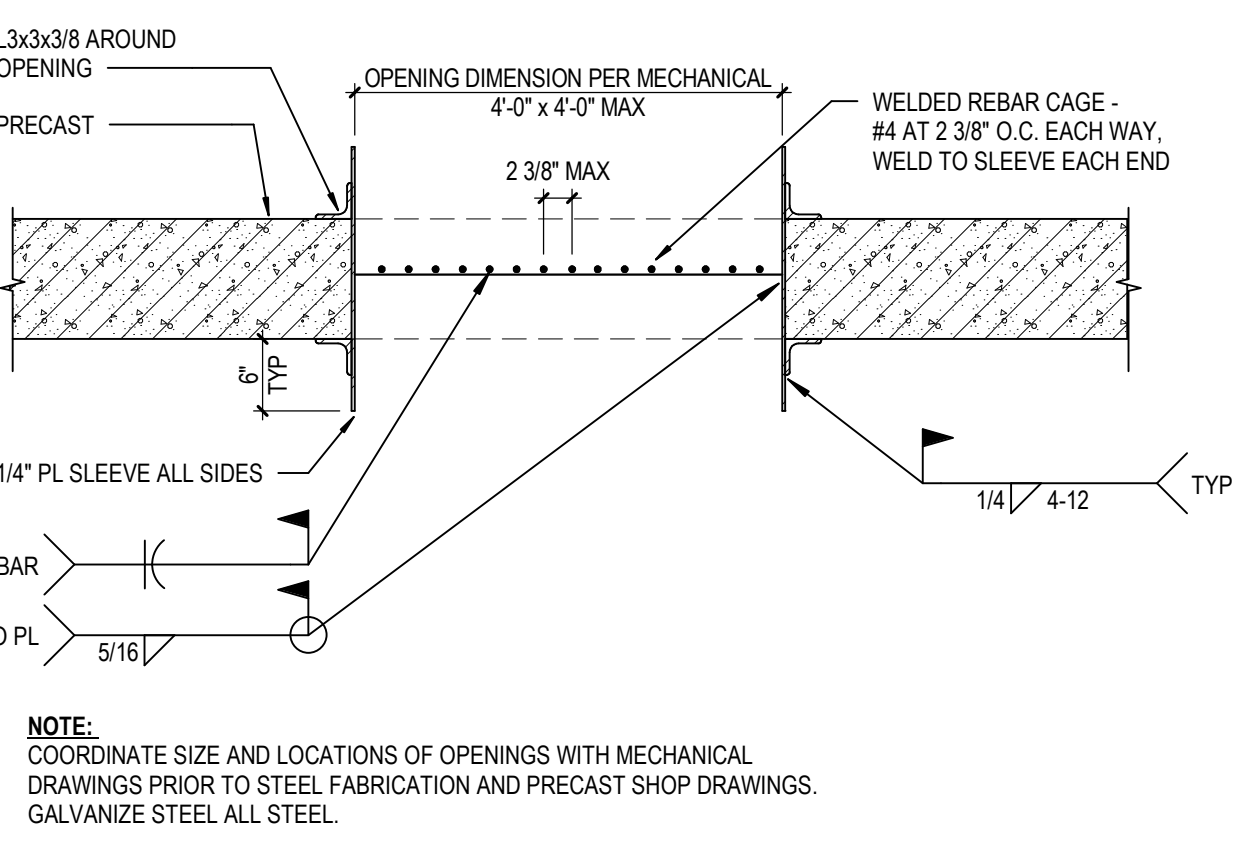
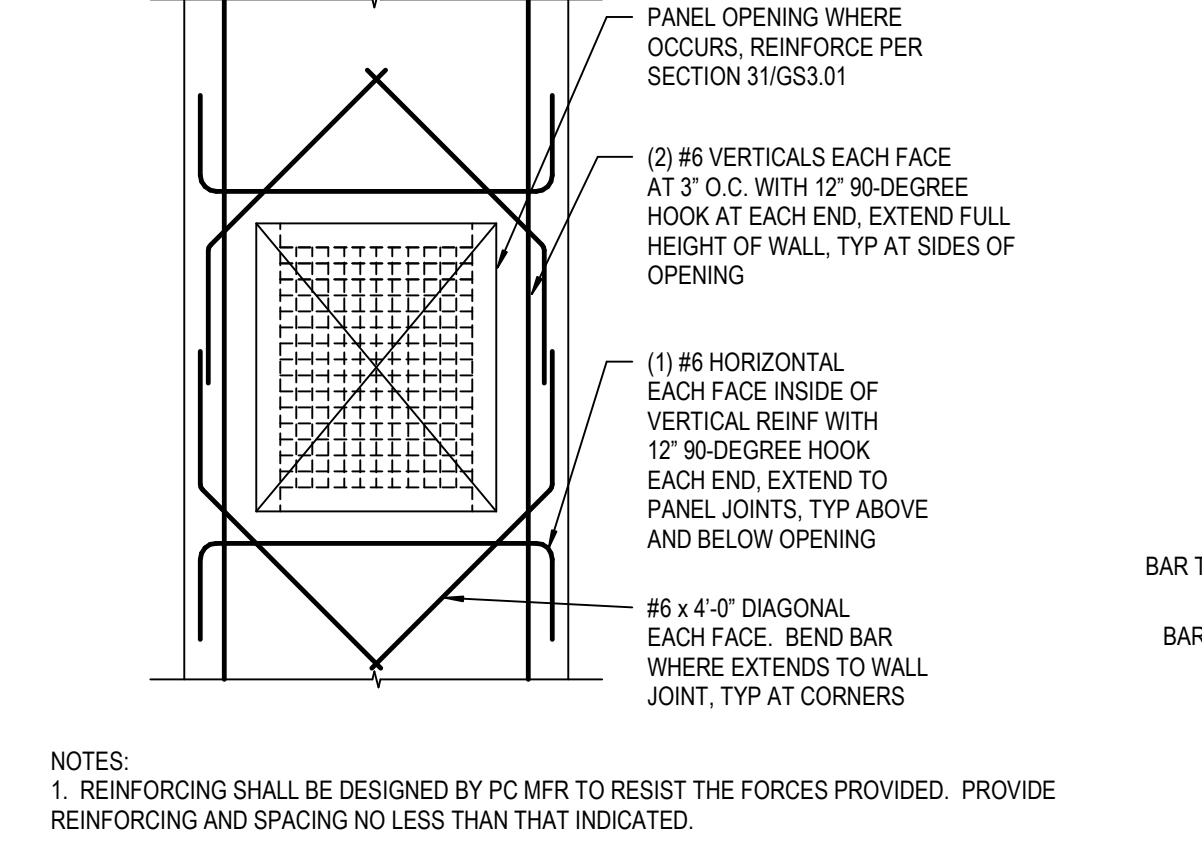
21 TYP HOLD DOWN LOCATIONS
S4.9 SCALE: 1/4" = 1'-0"

22 TYP WALL/ROOF OPENING PROTECTION DET
S4.9 SCALE: 3/4" = 1'-0"

23 TYP WALL/ROOF OPENING PROTECTION DET
S4.9 SCALE: 3/4" = 1'-0"



25 TYP BLOCKOUT FOR ELEC CONDUIT DETAIL
S4.9 SCALE: 3/4" = 1'-0"

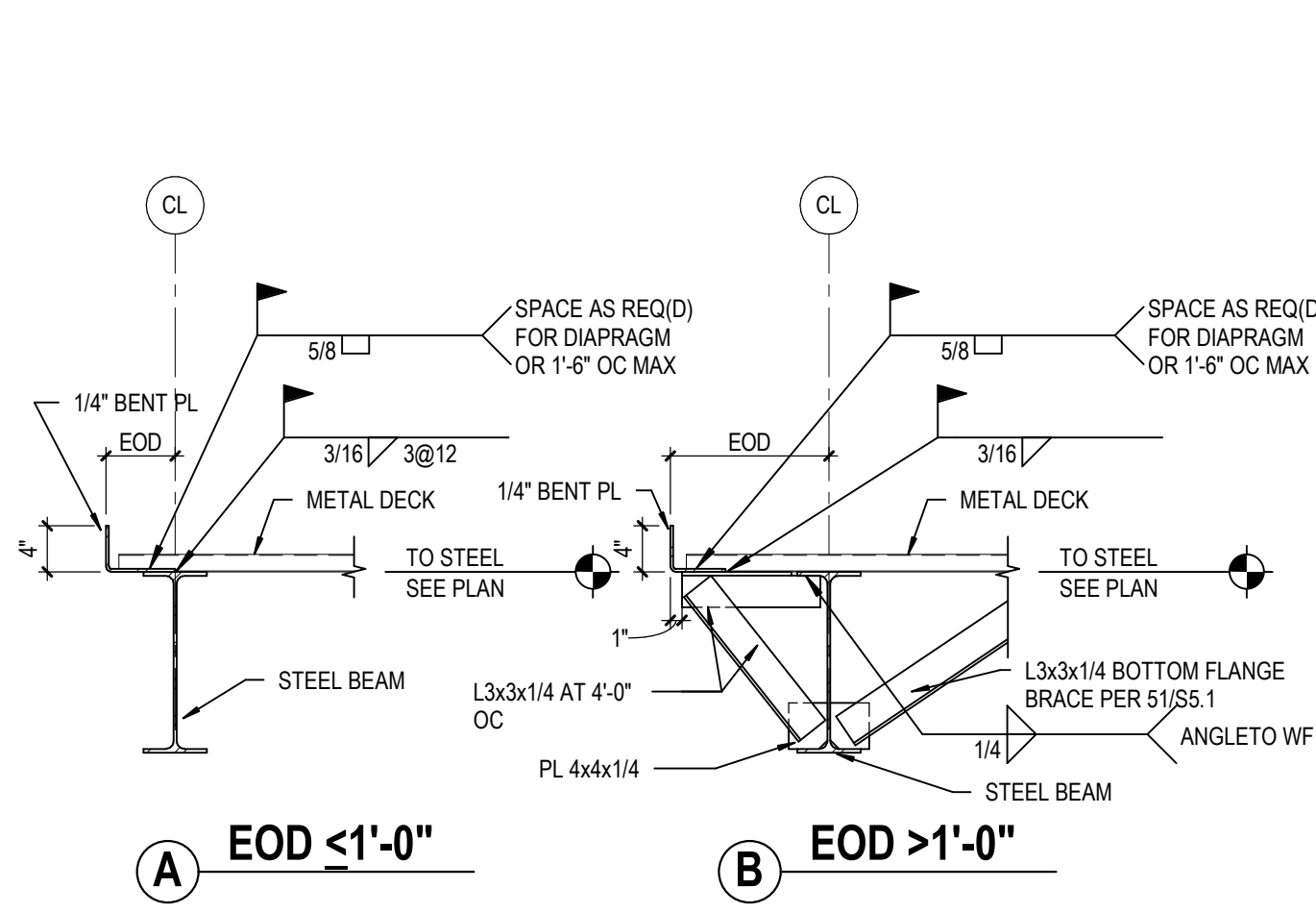


31 ELEVATION - WALL PENETRATION
S4.9 SCALE: 1/2" = 1'-0"

32 TYP WALL/ROOF OPENING PROTECTION DET
S4.9 SCALE: 3/4" = 1'-0"

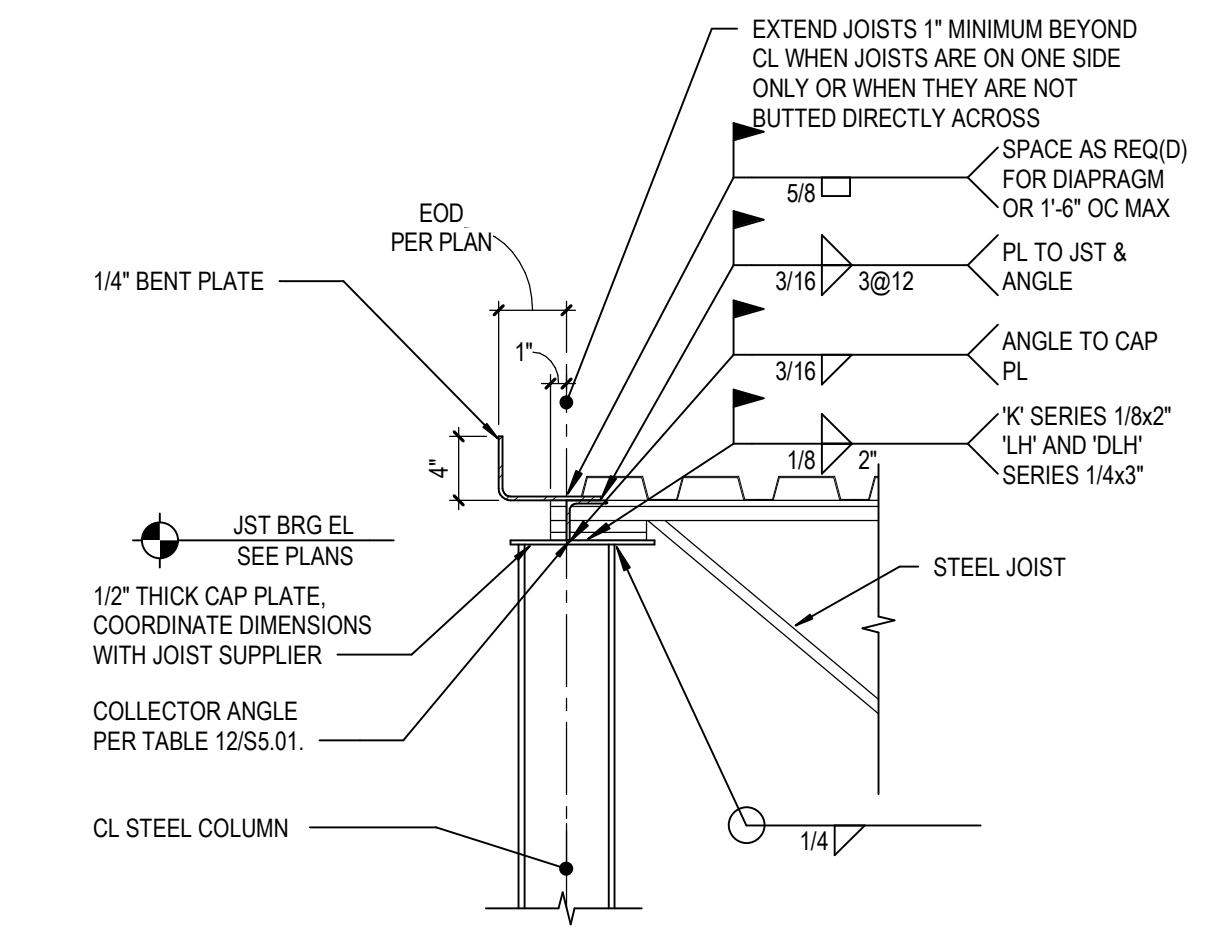
33 TYP WALL/ROOF OPENING PROTECTION DET
S4.9 SCALE: 3/4" = 1'-0"



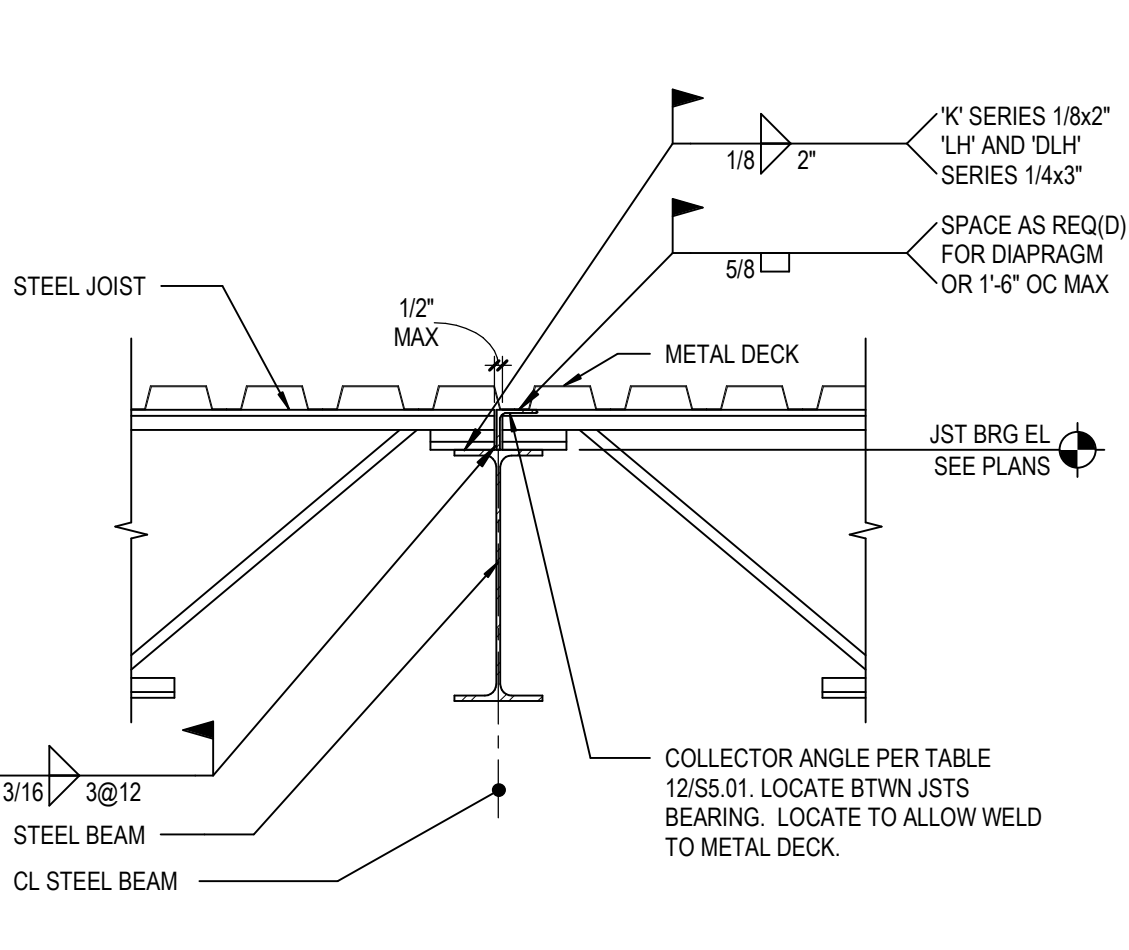


11 TYP EDGE OF DECK DETAIL
SCALE: 3/4" = 1'-0"

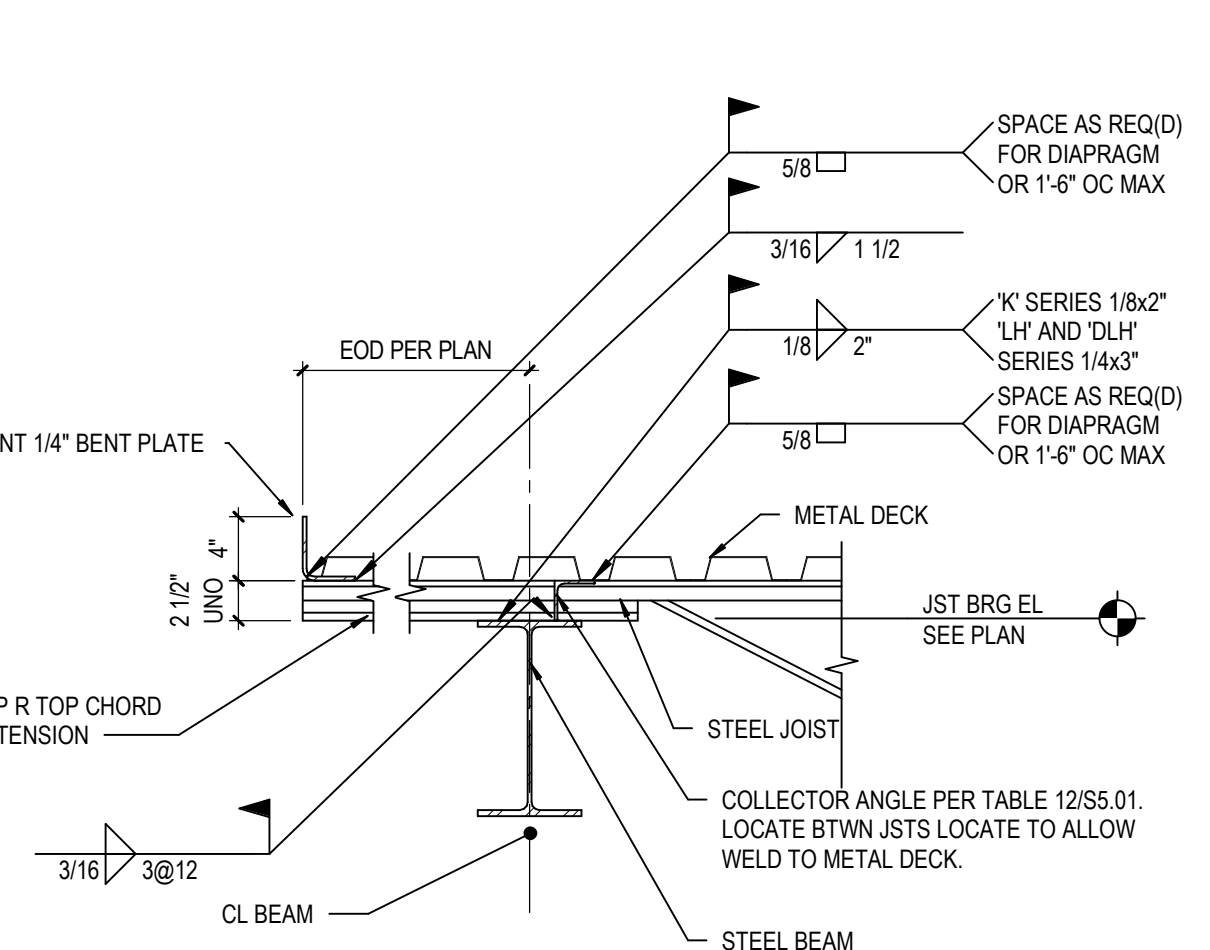
JST SEAT DEPTH	ANGLE SIZE
2-1/2"	L2-1/2x2-1/2x3/16
3-1/2"	L3-1/2x3x1/4 LLV
5"	L5x3x1/4 LLV



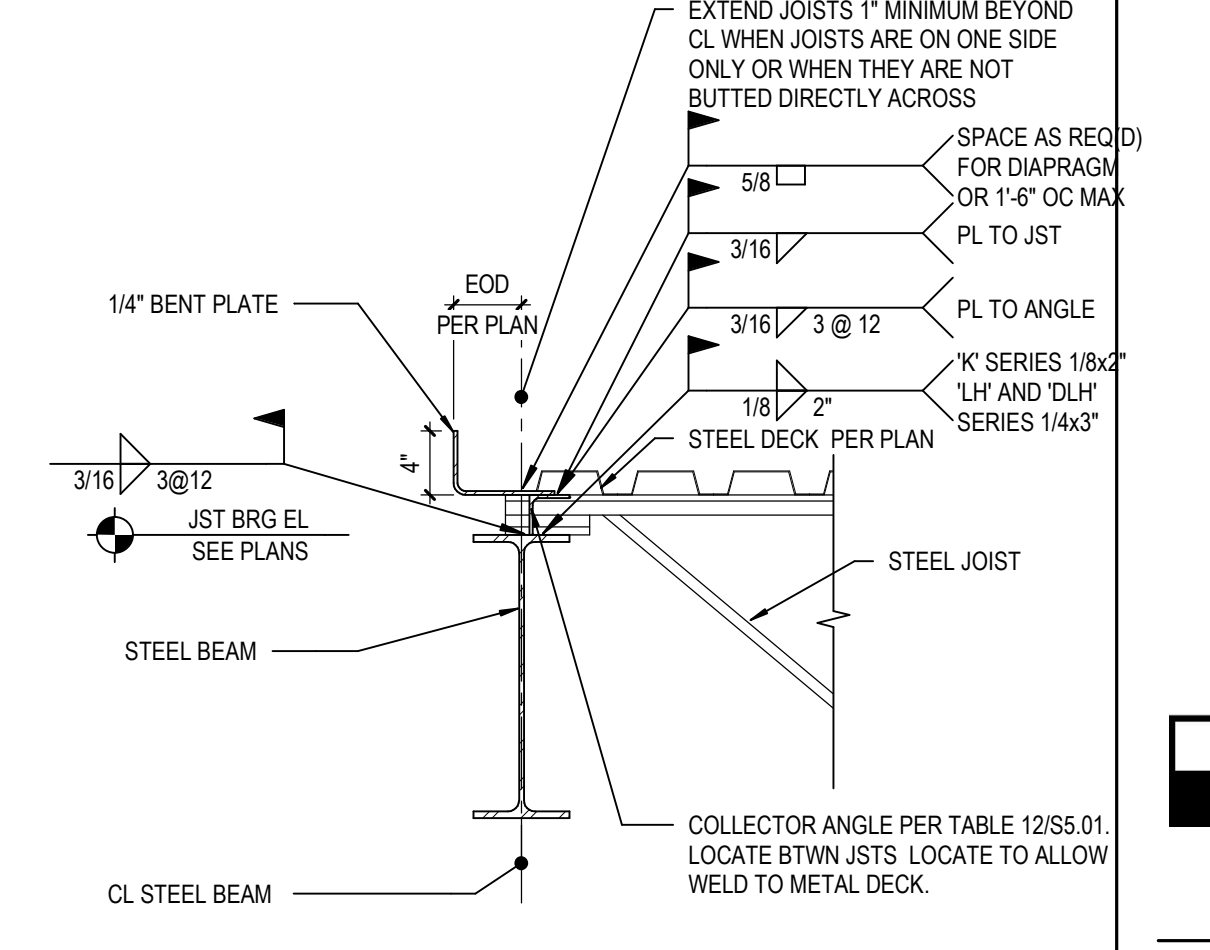
13 TYP JOIST BEARING DETAIL
SCALE: 1" = 1'-0"



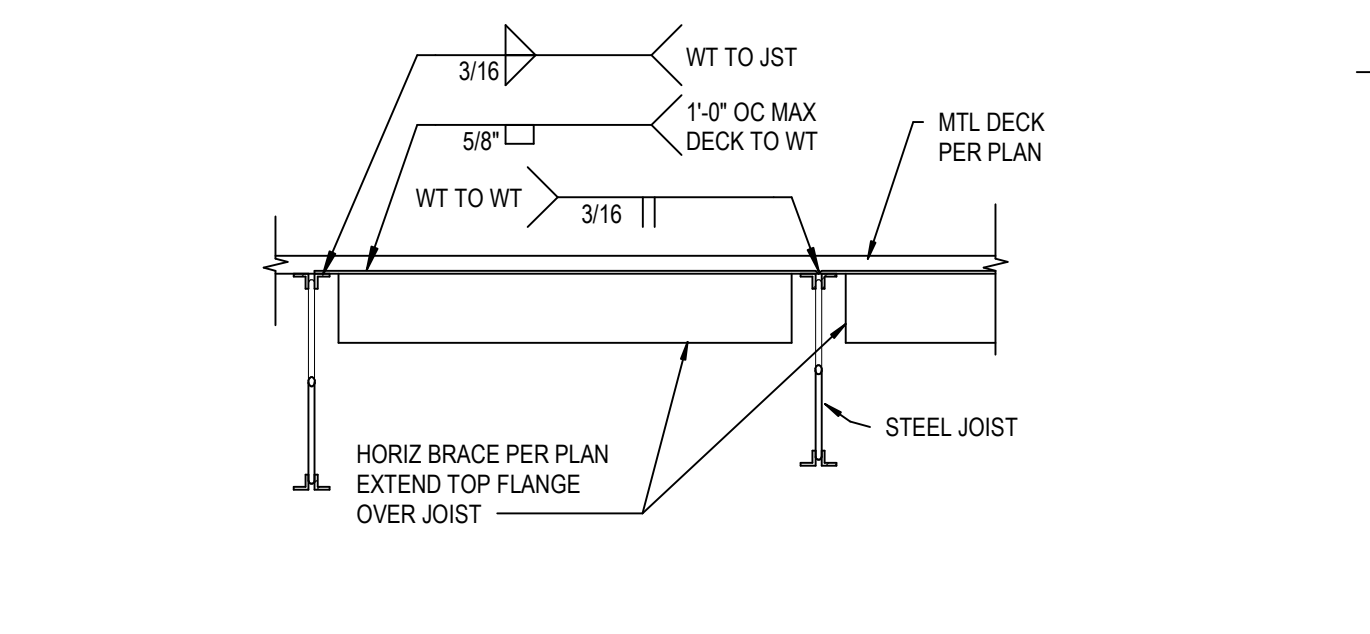
14 TYP JOIST BEARING DETAIL
SCALE: 1" = 1'-0"



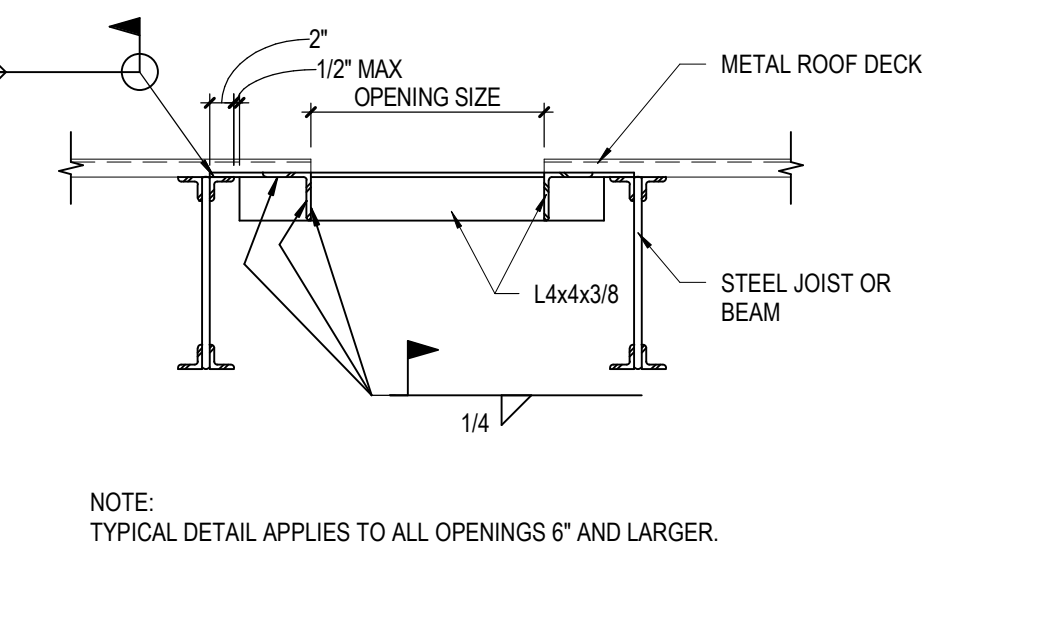
15 TYP EXTENDED END JST BEARING DETAIL
SCALE: 1" = 1'-0"



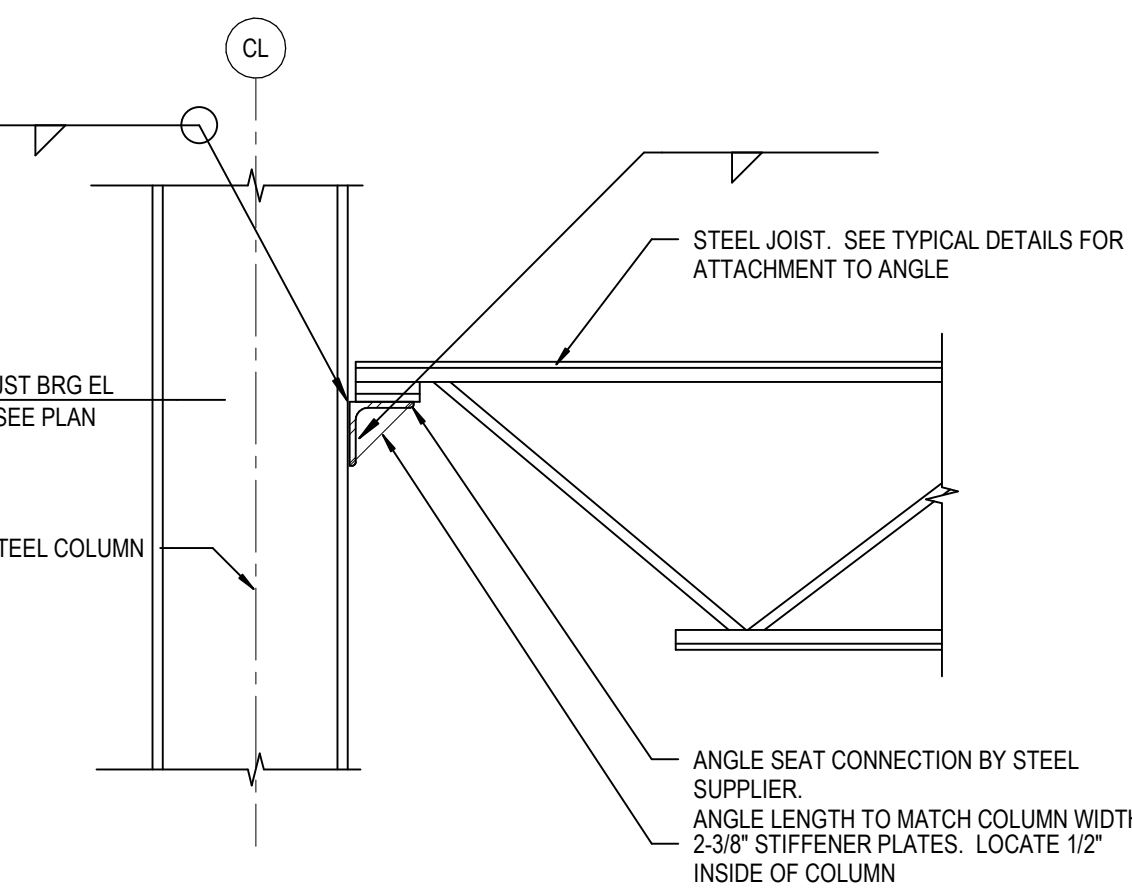
16 TYP JOIST BEARING DETAIL
SCALE: 1" = 1'-0"



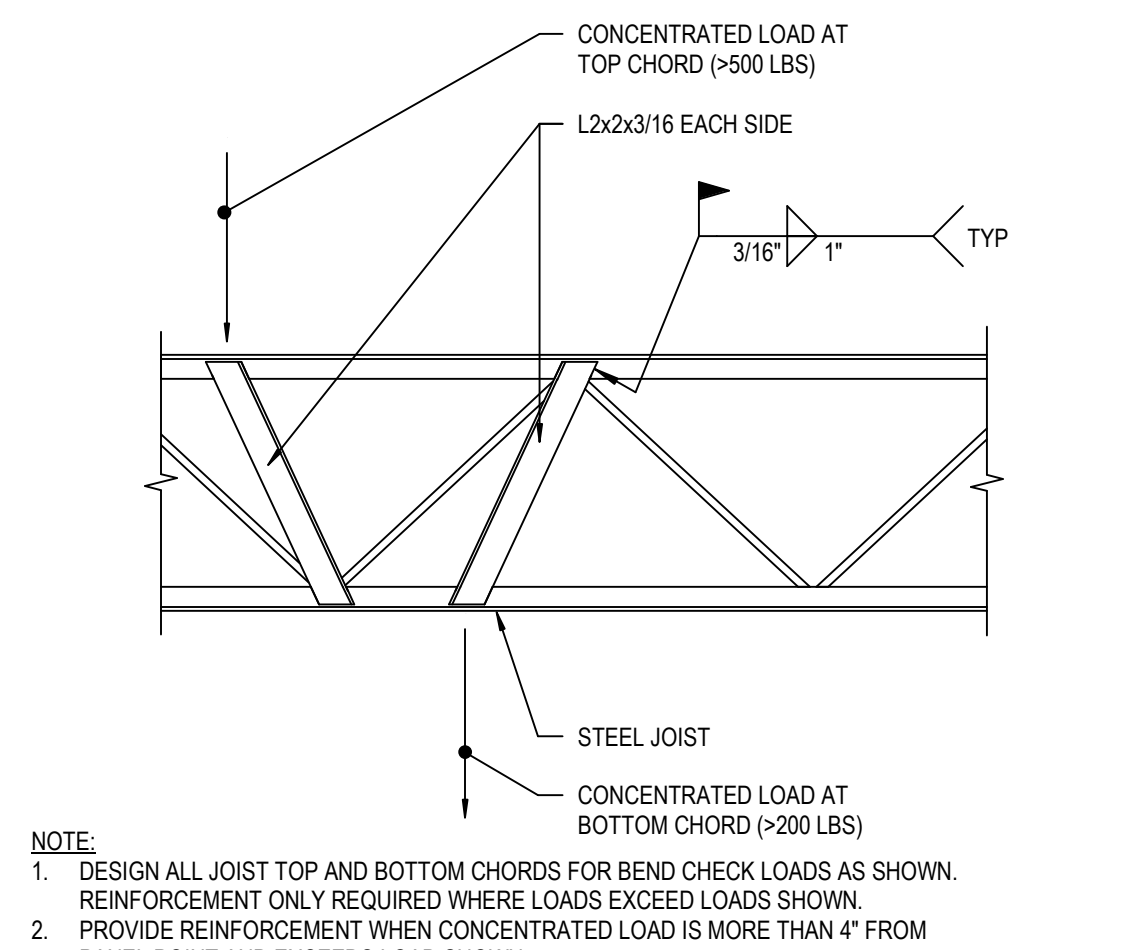
21 TYP WT BRACE DETAIL
SCALE: 3/4" = 1'-0"



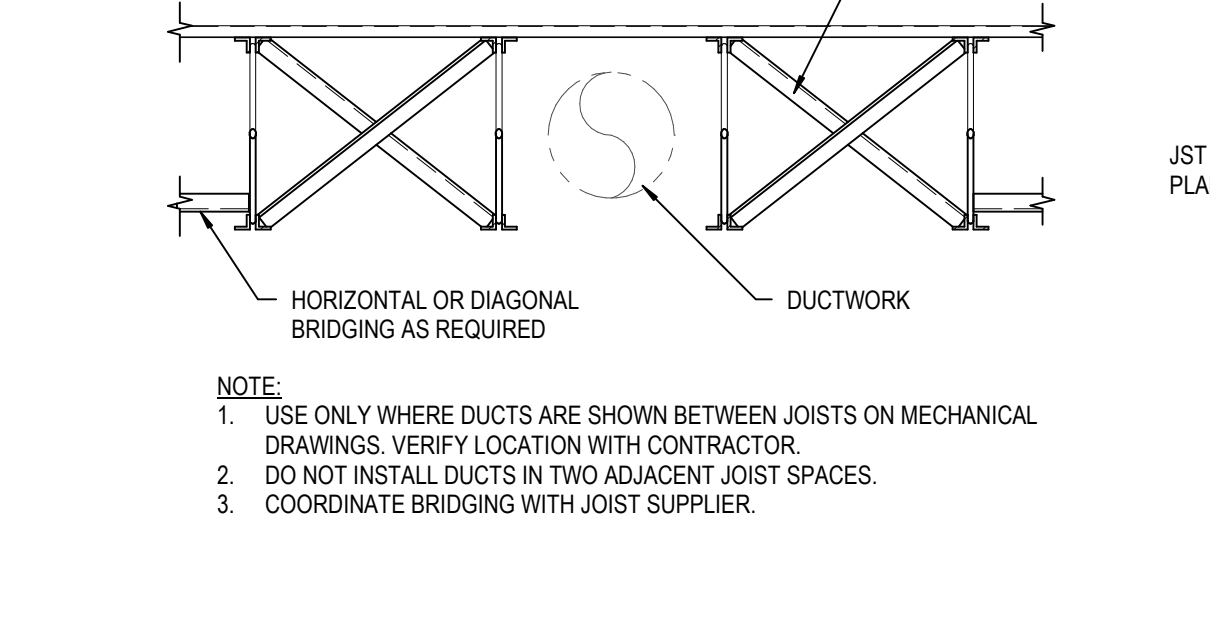
22 TYP ROOF OPENING DETAIL
SCALE: 3/4" = 1'-0"



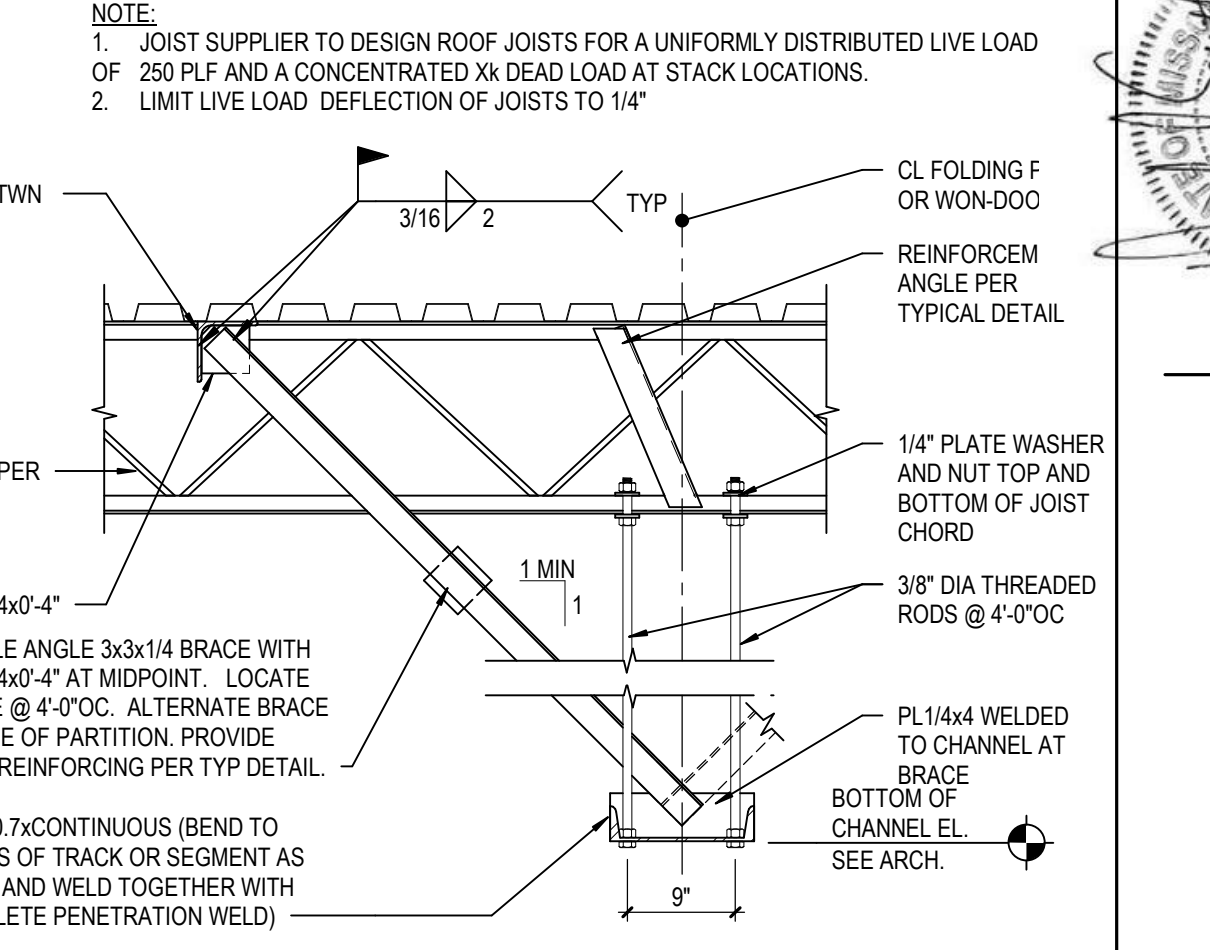
23 TYP JOIST BEARING DETAIL
SCALE: 1" = 1'-0"



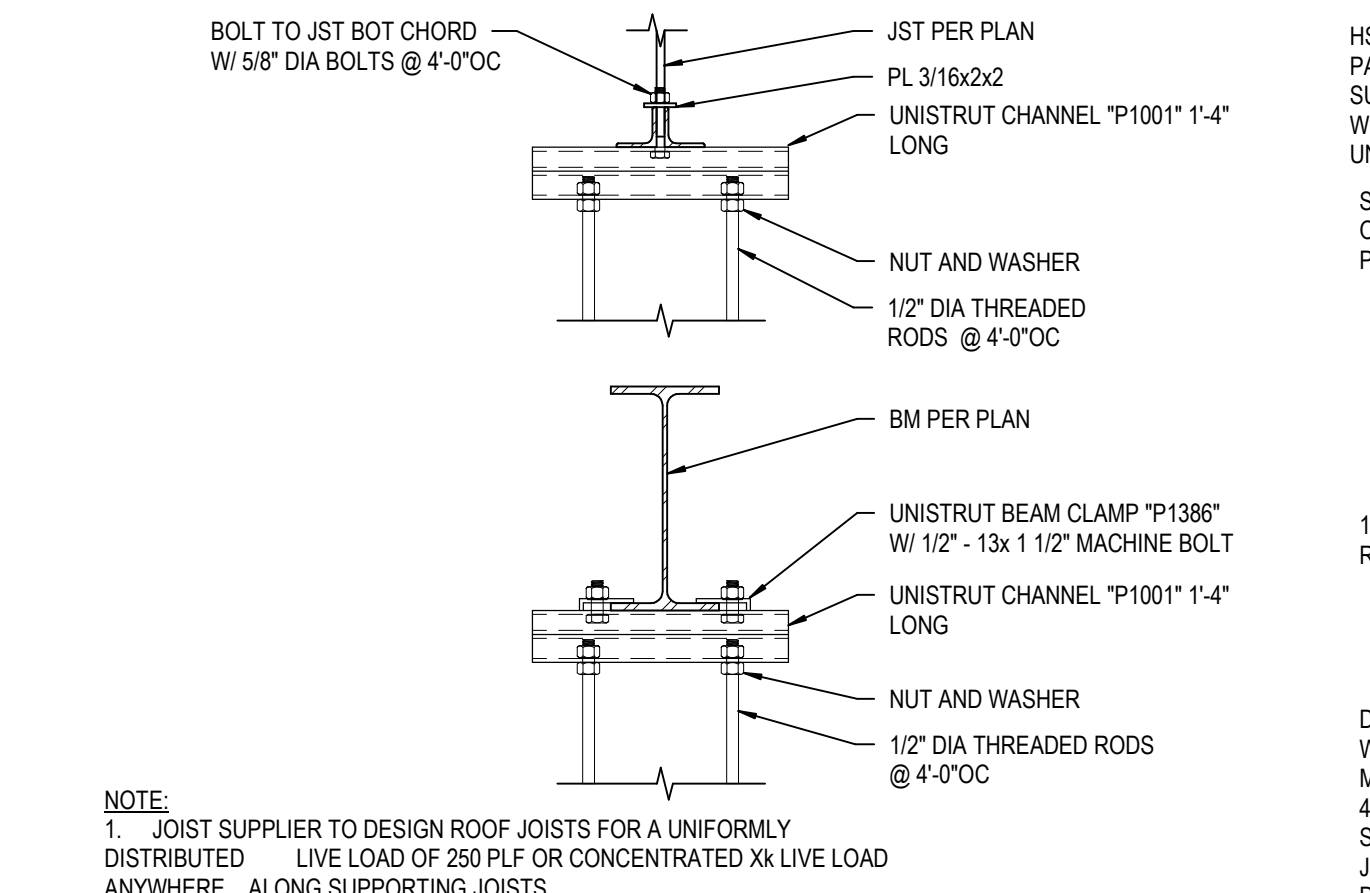
24 TYP JOIST REINFORCING DETAIL
SCALE: 1" = 1'-0"



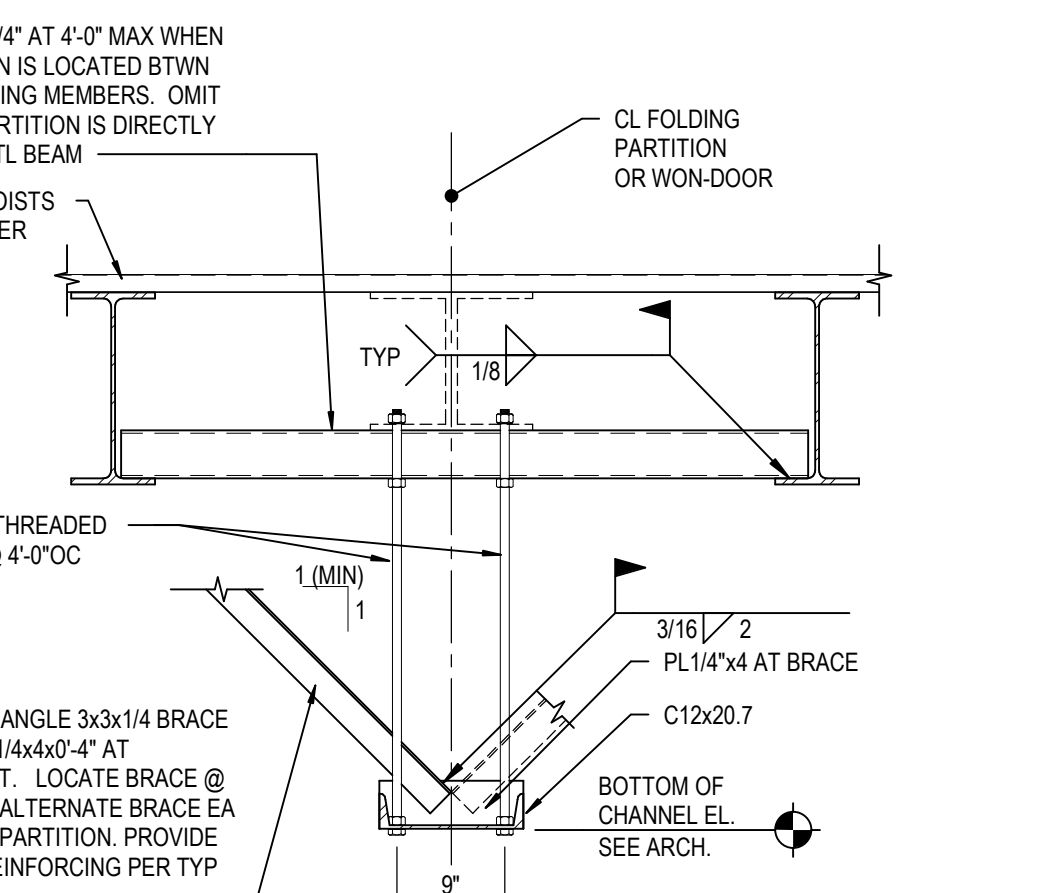
25 TYP JOIST BEARING DETAIL
SCALE: 3/4" = 1'-0"



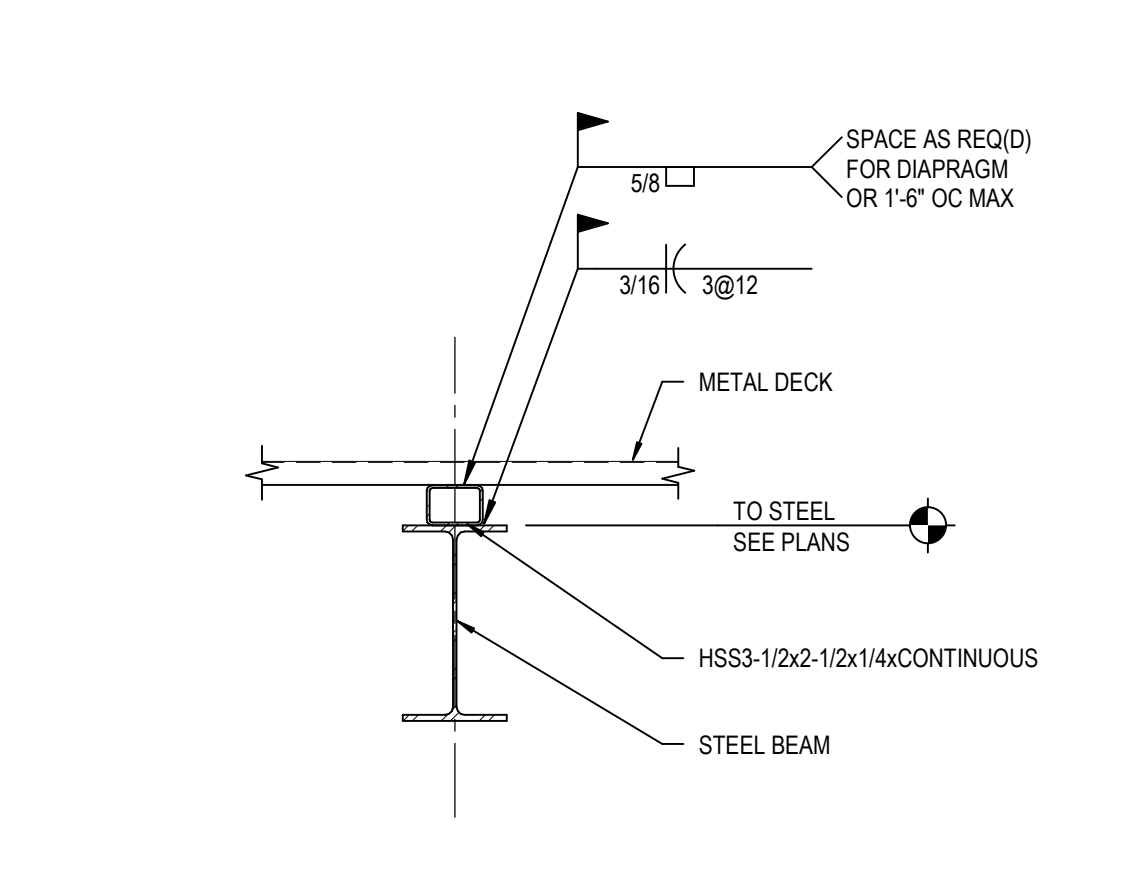
26 TYP OPERABLE PARTITION WALL CONN DTL
SCALE: 3/4" = 1'-0"



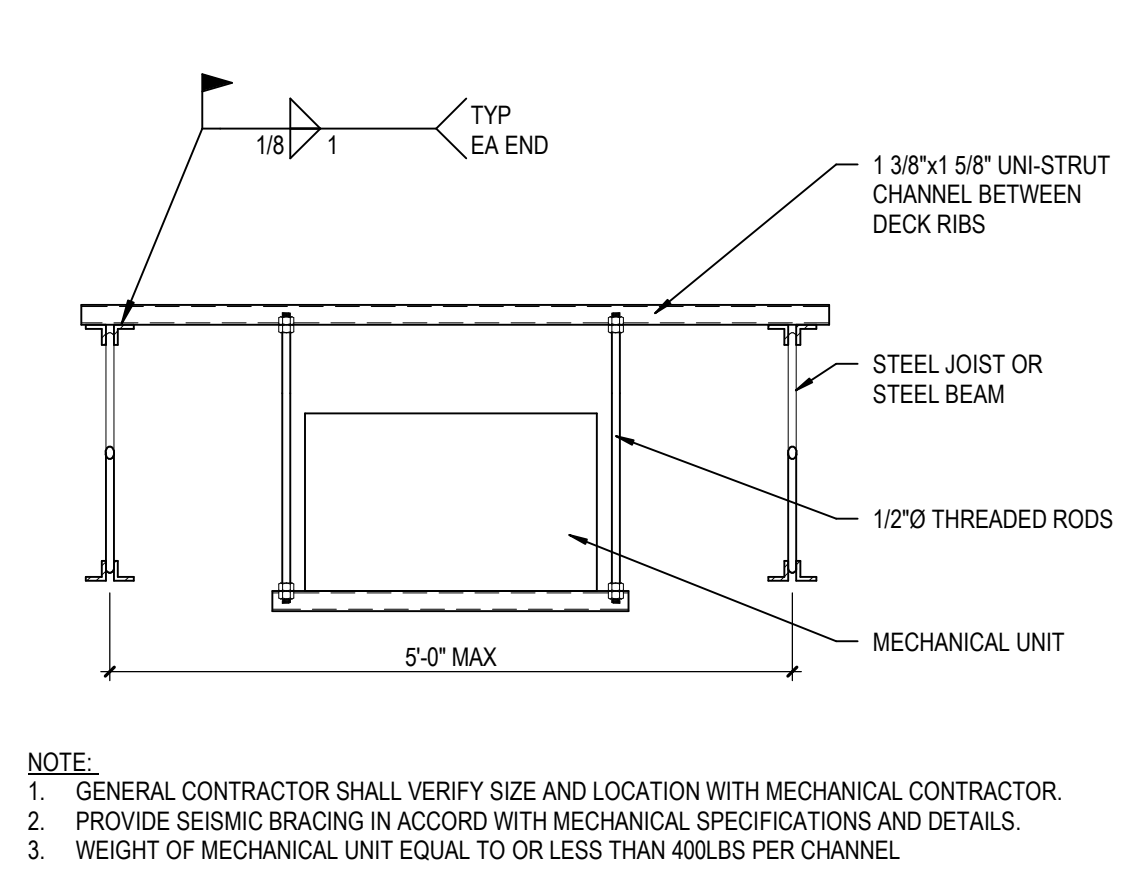
31 TYP OPERABLE PARTITION WALL CONN DTL
SCALE: 1" = 1'-0"



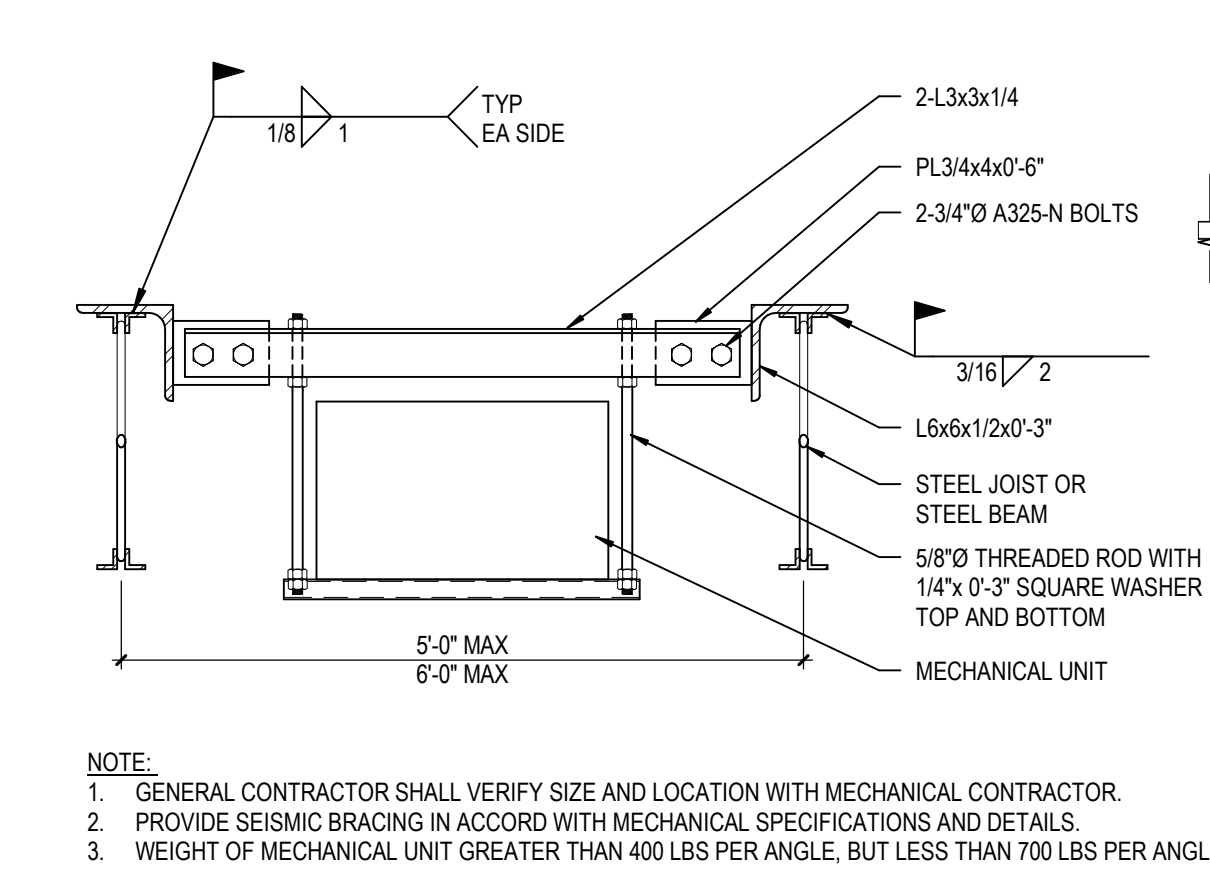
32 TYP OPERABLE PARTITION WALL CONN DTL
SCALE: 3/4" = 1'-0"



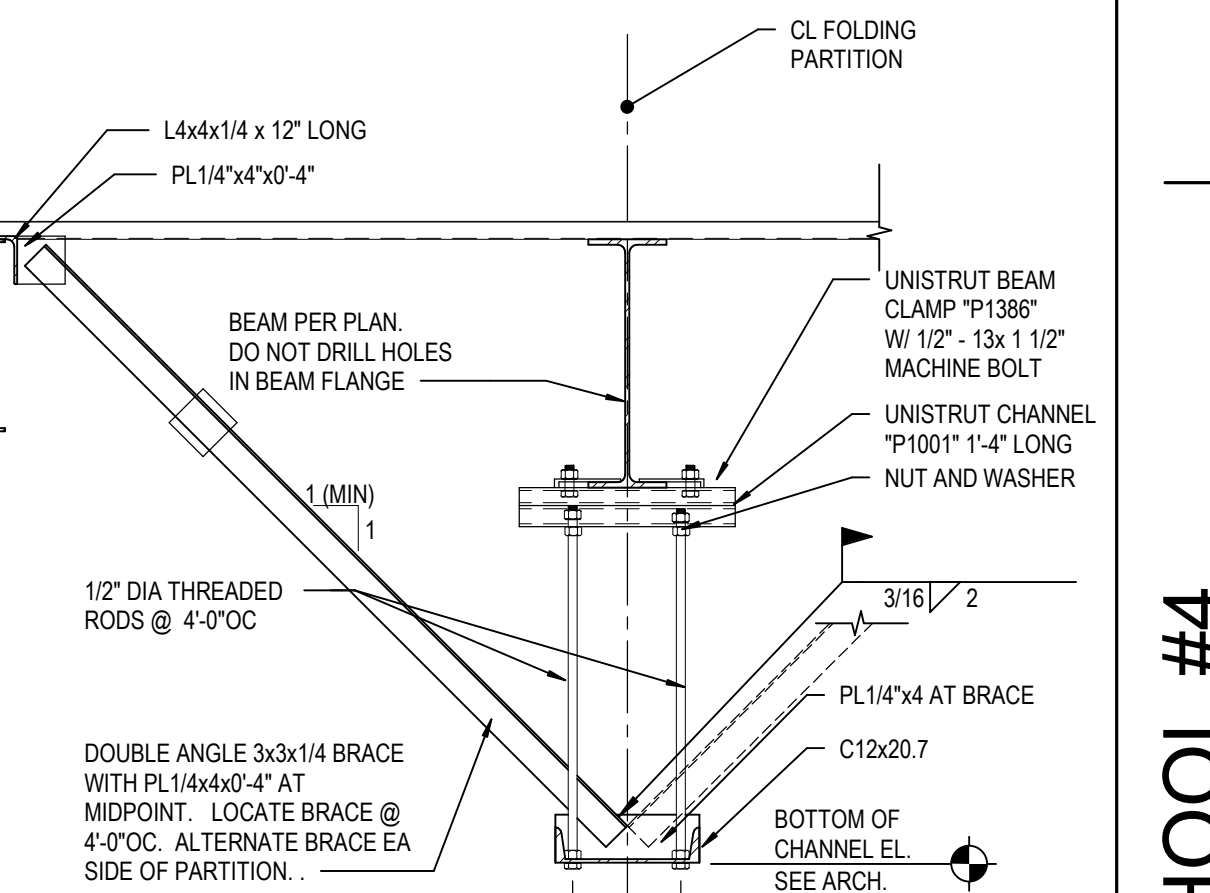
33 TYP LOWERED BEAM DETAIL
SCALE: 1" = 1'-0"



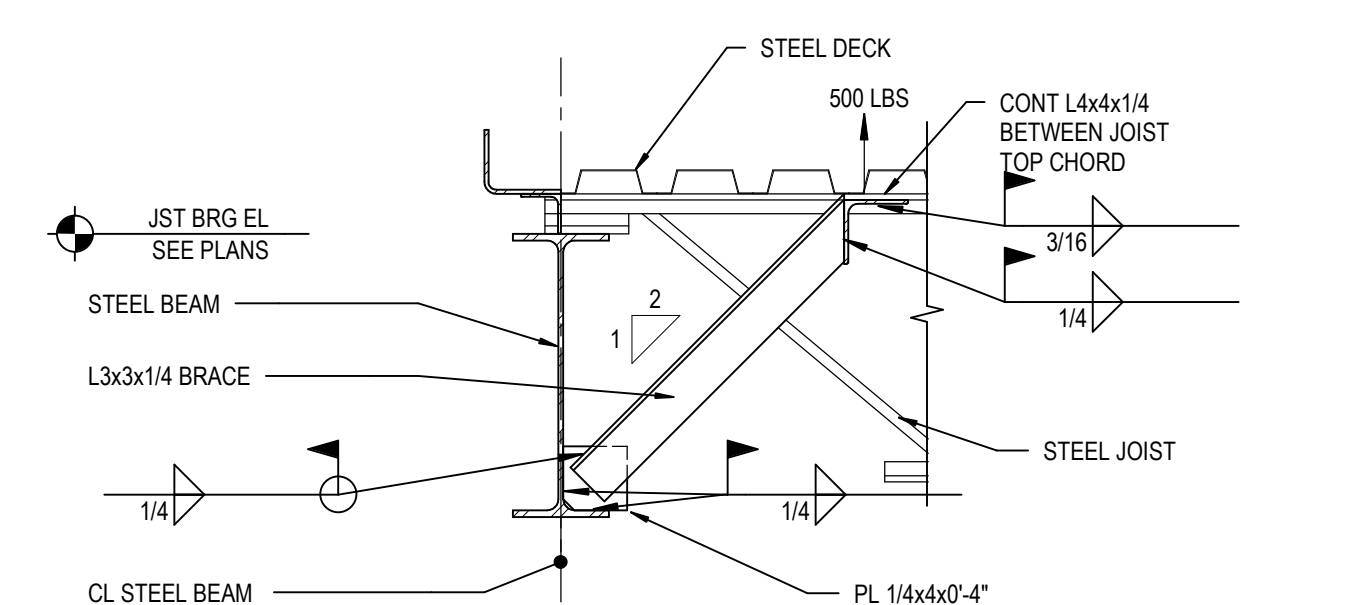
34 TYP HANGING MECH UNIT DETAIL
SCALE: 1" = 1'-0"



35 TYP HANGING MECH UNIT DETAIL
SCALE: 1" = 1'-0"



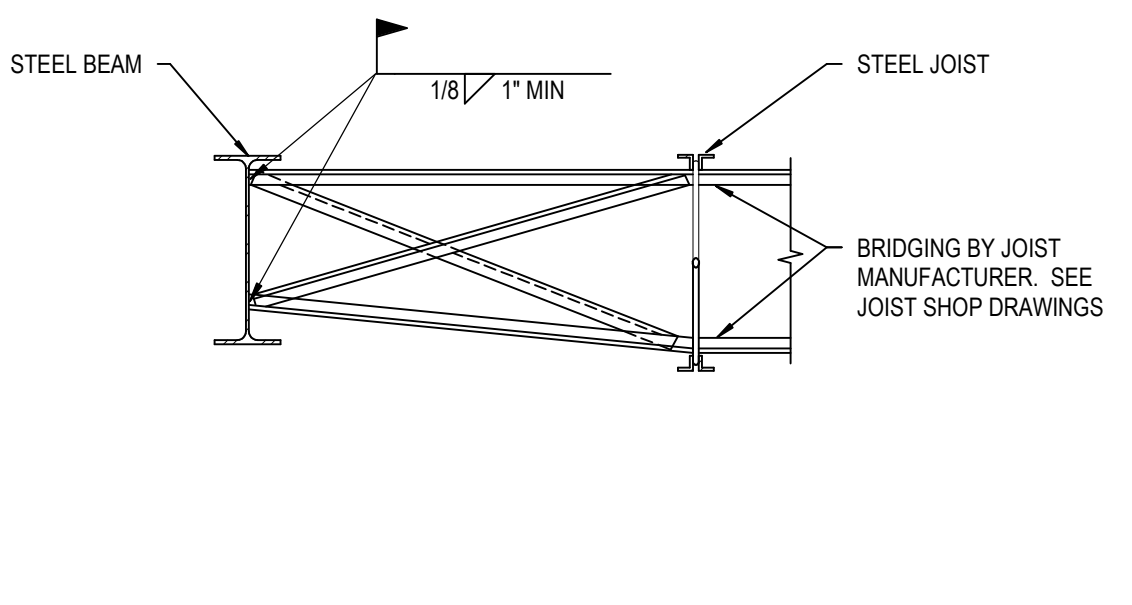
36 TYP OPERABLE PARTITION WALL CONN DTL
SCALE: 3/4" = 1'-0"



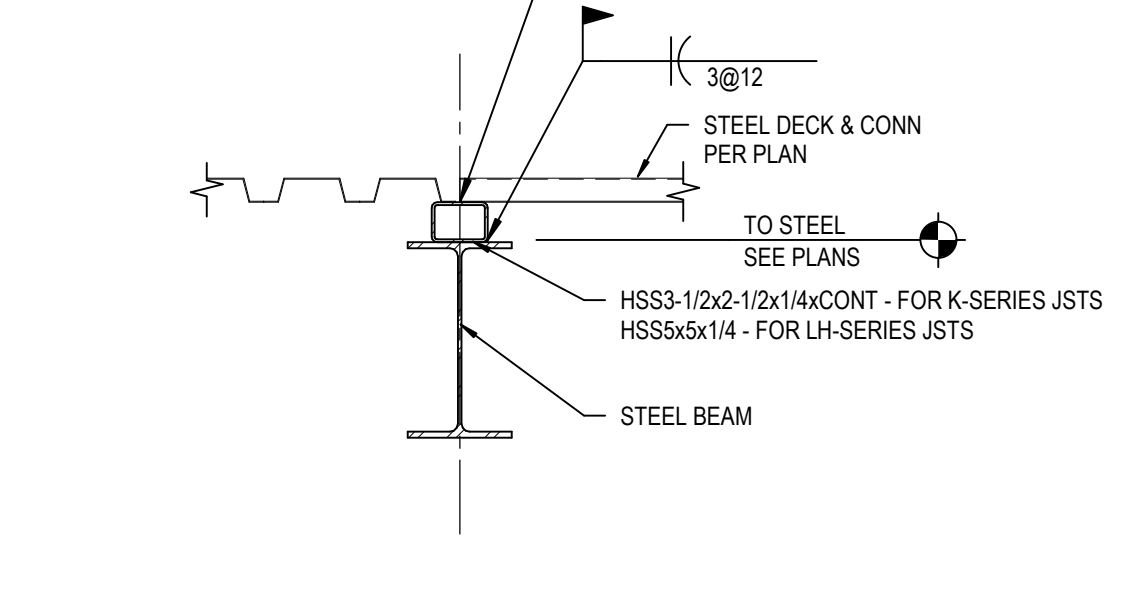
A BEAM PERPENDICULAR TO JOISTS



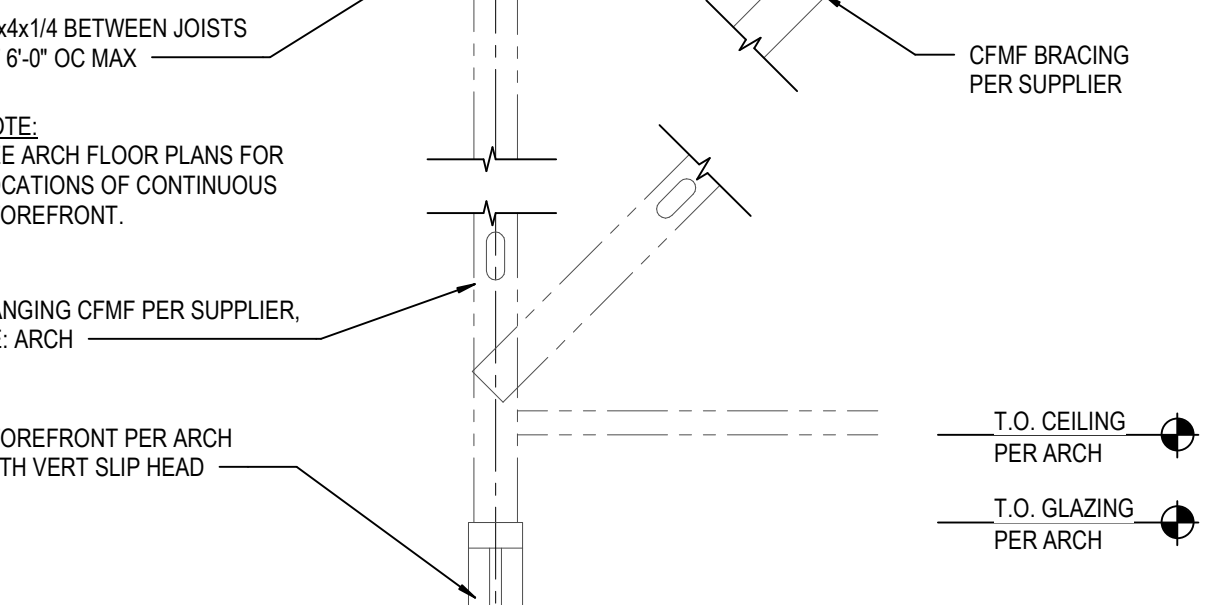
B BEAM PARALLEL TO JOISTS



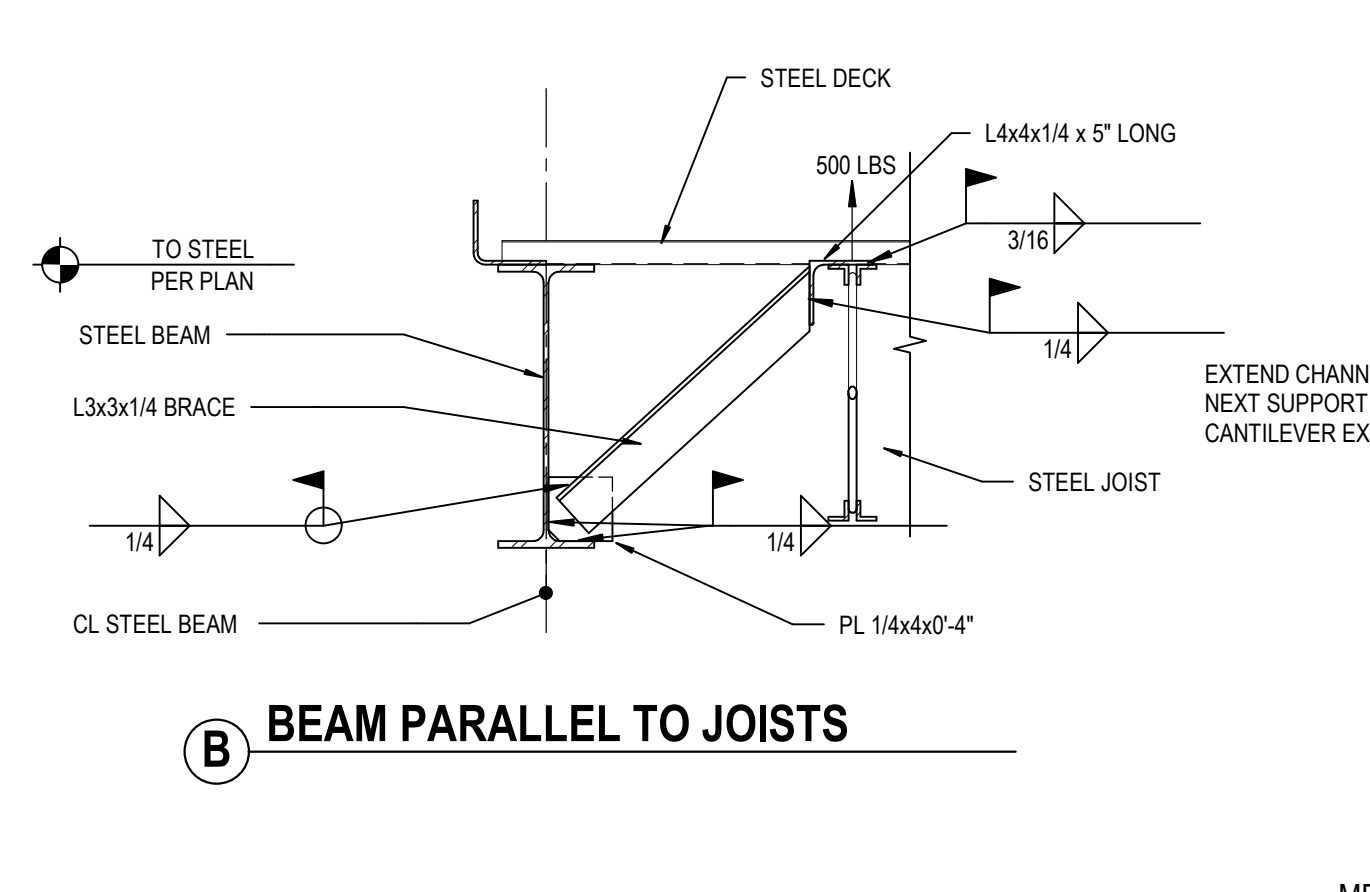
43 TYP JOIST BRIDGING DETAIL
SCALE: 3/4" = 1'-0"



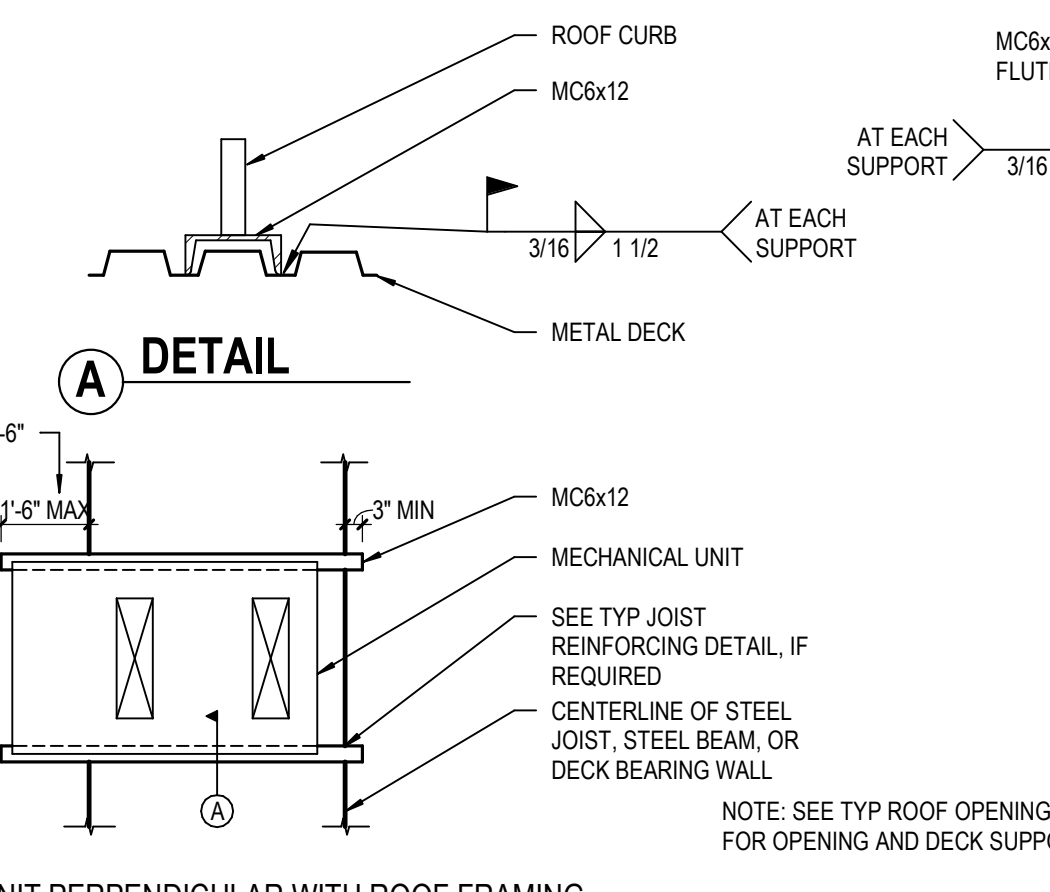
44 DECK DIRECTION CHANGE DETAIL
SCALE: 1" = 1'-0"



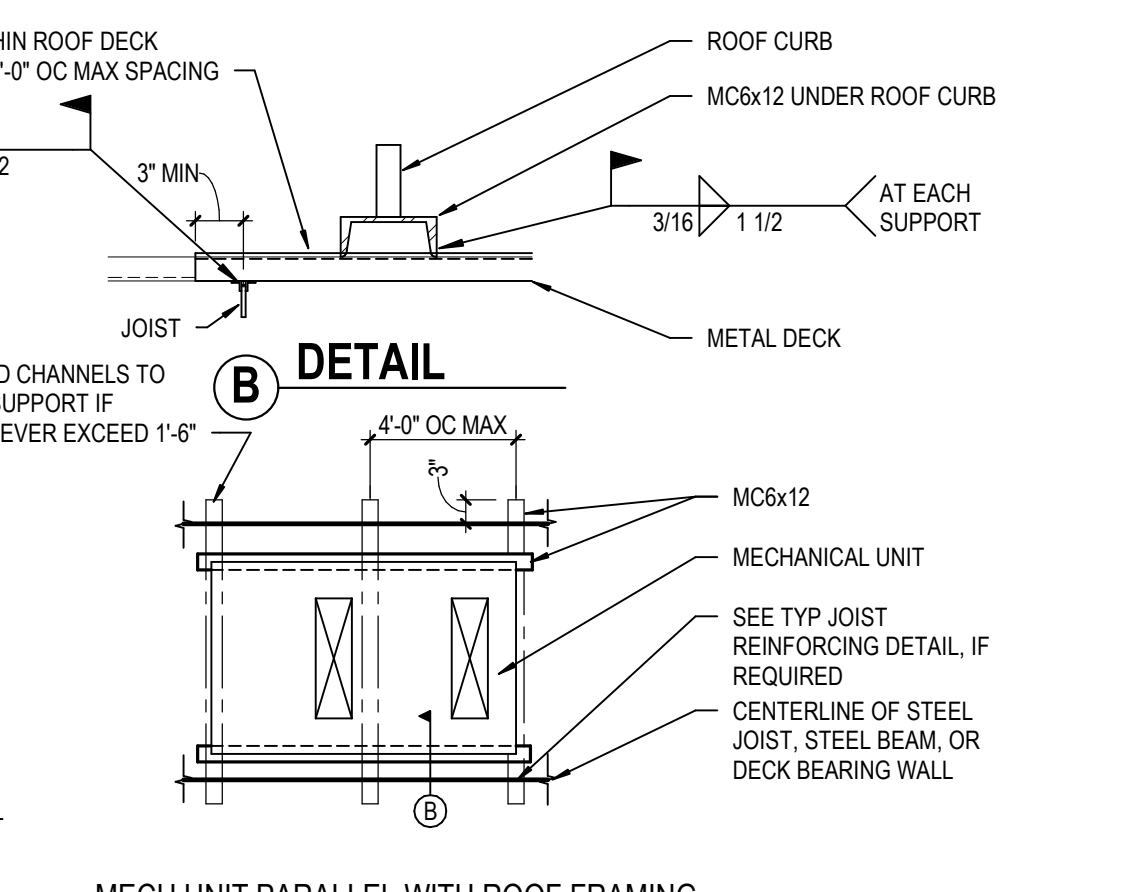
45 TYP CONT STOREFRONT SUPPORT DETAIL @ ROOF
SCALE: 3/4" = 1'-0"



A BEAM PERPENDICULAR TO JOISTS



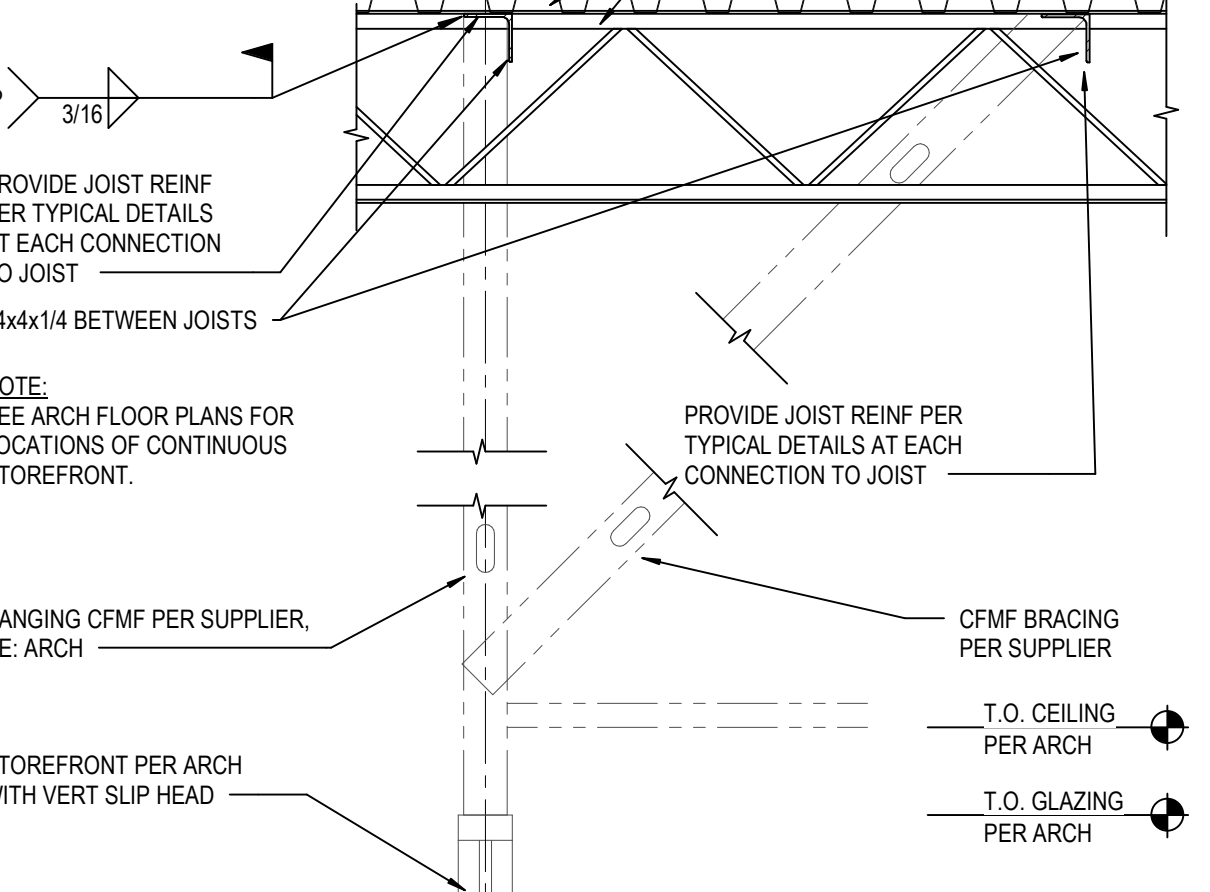
B BEAM PARALLEL TO JOISTS



43 TYP JOIST BRIDGING DETAIL
SCALE: 3/4" = 1'-0"

MARK	DESCRIPTION	ALLOWABLE DIAPHRAGM SHEAR
RD-1	1-1/2" DEEP x 20 GA. WIDE RIB PAINTED STEEL ROOF DECK. 1.5820. PROVIDE 5/8" PUDDLE WELDS IN A 36" PATTERN AND 5" 10" TEK SCREW SIDE LAPS PER SPAN.	540 PLF
RD-2	2" DEEP x 20 GA. ACOUSTICAL PAINTED DOVETAIL STEEL ROOF DECK. PROVIDE 3/4" 9" PUDDLE WELDS IN A 24" PATTERN AND 1.5" LONG ARC SEAM WELDS OR 2" LONG FLUET WELDS AT 18" OC SIDE LAPS.	525 PLF
RD-3	3" DEEP x 20 GA. WIDE RIB PAINTED STEEL ACOUSTICAL ROOF DECK. 3.0420. PROVIDE 5/8" PUDDLE WELDS IN A 24" PATTERN AND 8 #10 TEK SCREW SIDE LAPS PER SPAN.	460 PLF

44 ROOF DECK SCHEDULE
SCALE: 3/4" = 1'-0"



45 TYP CONT STOREFRONT SUPPORT DETAIL @ ROOF
SCALE: 3/4" = 1'-0"

51 TYP BOTTOM FLANGE BRACE DETAIL
SCALE: 1" = 1'-0"

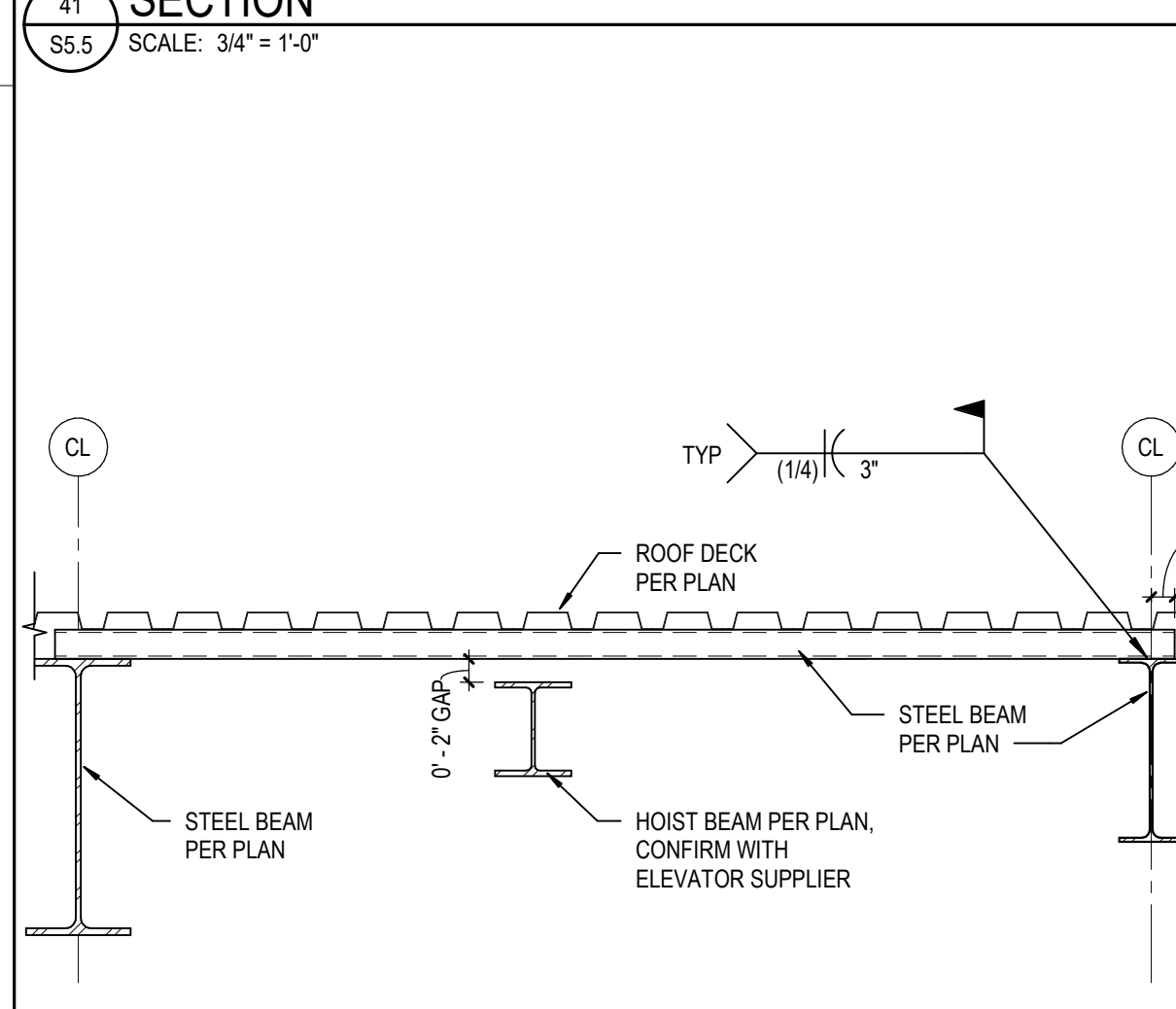
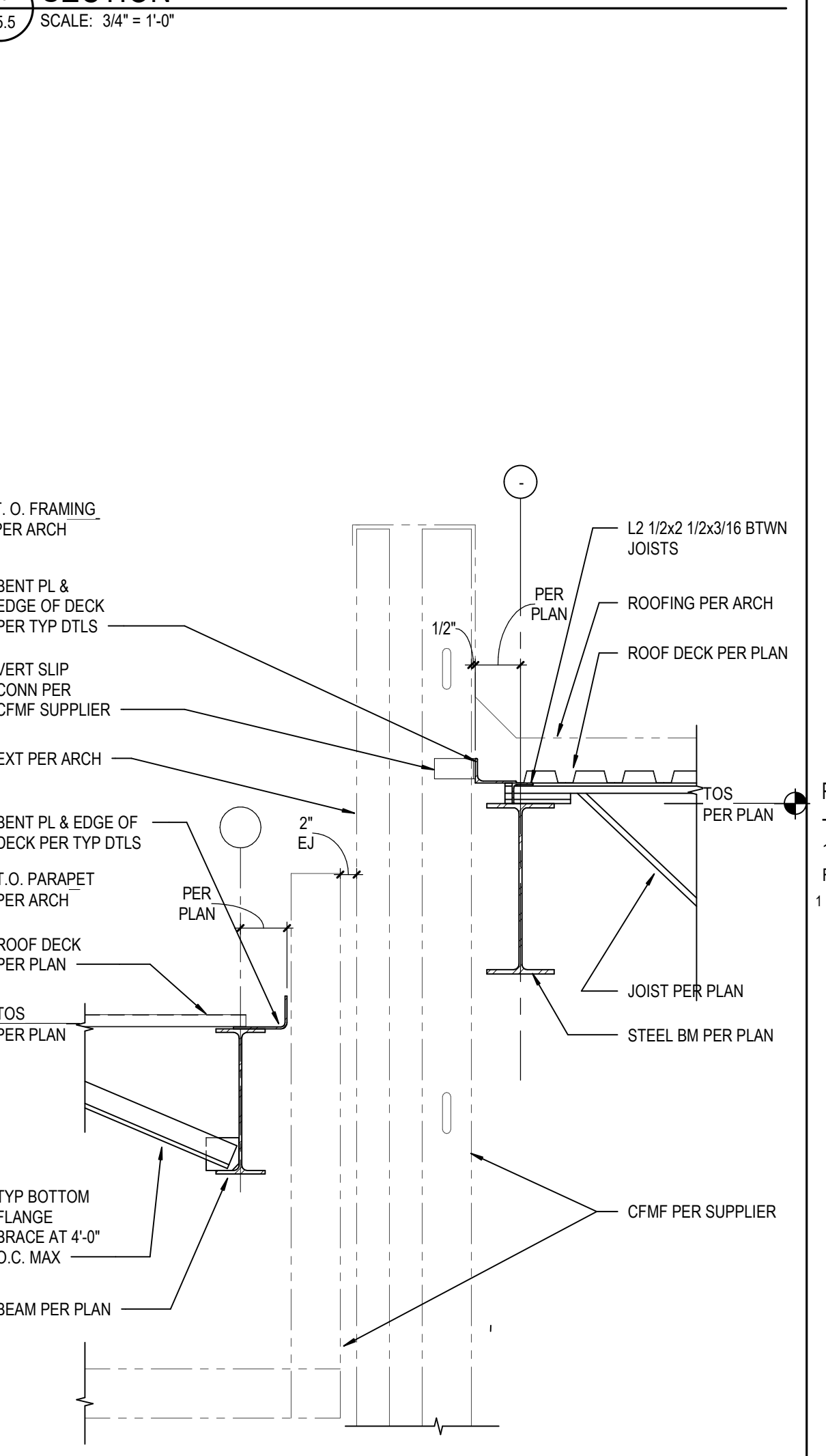
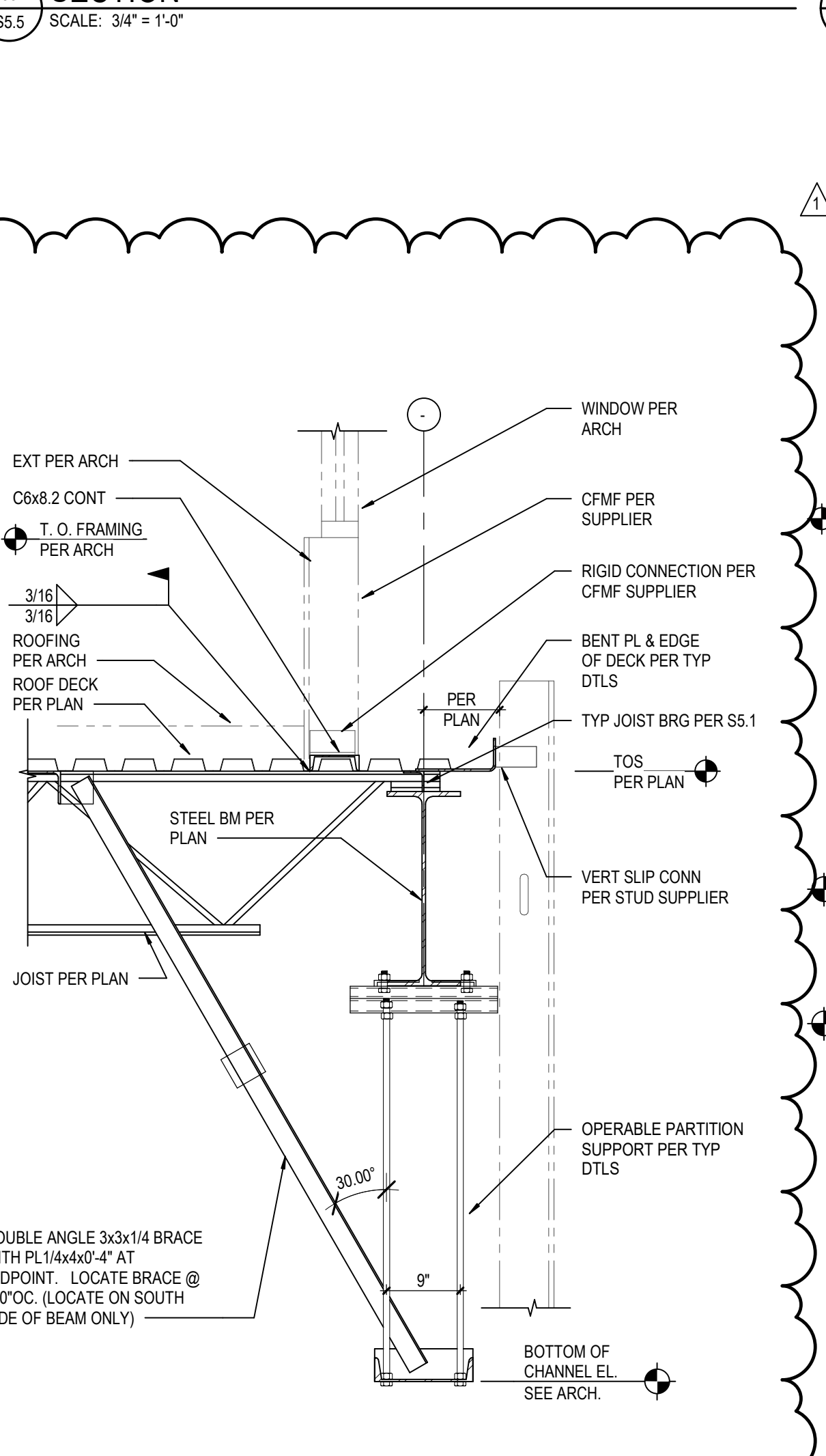
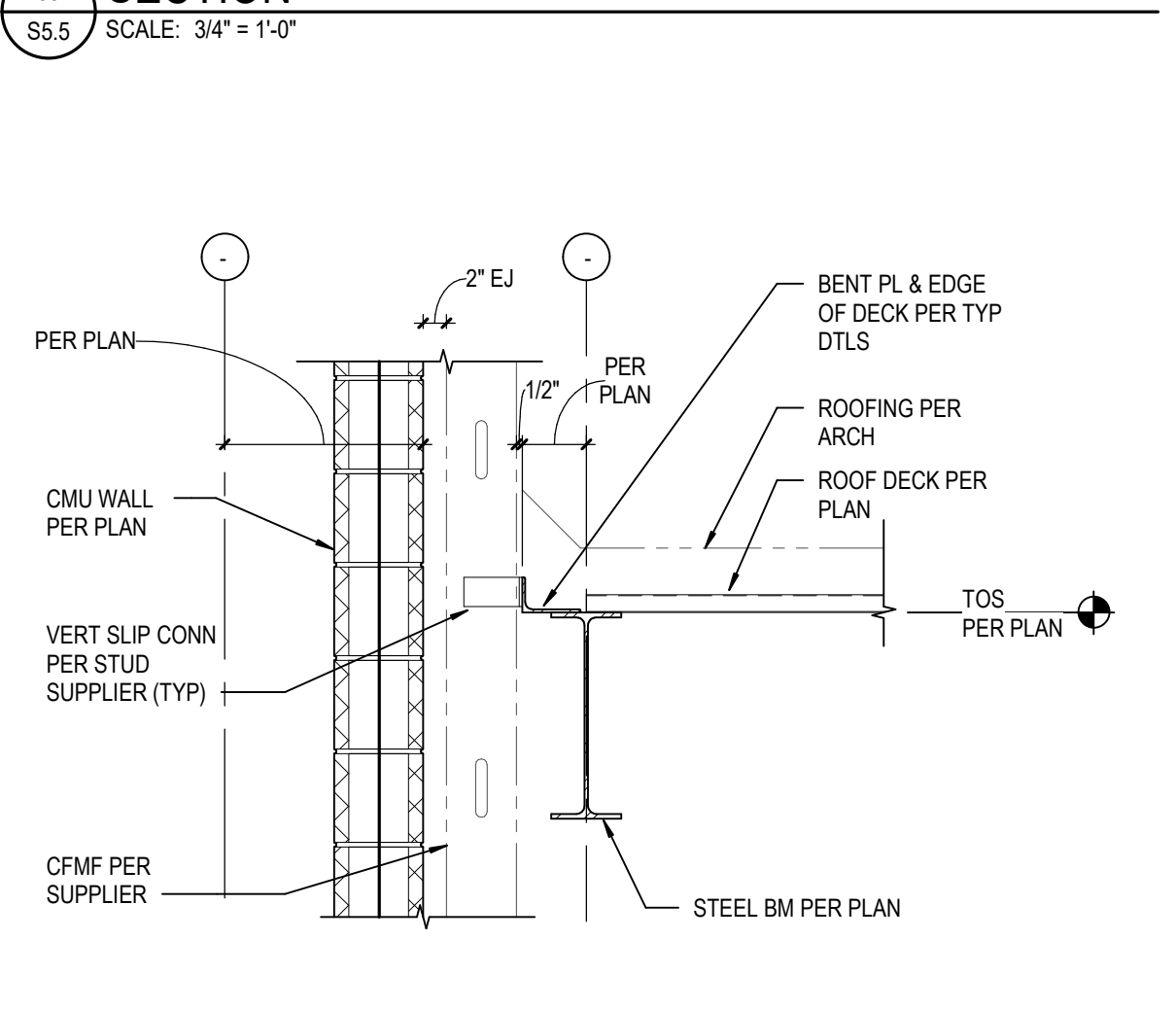
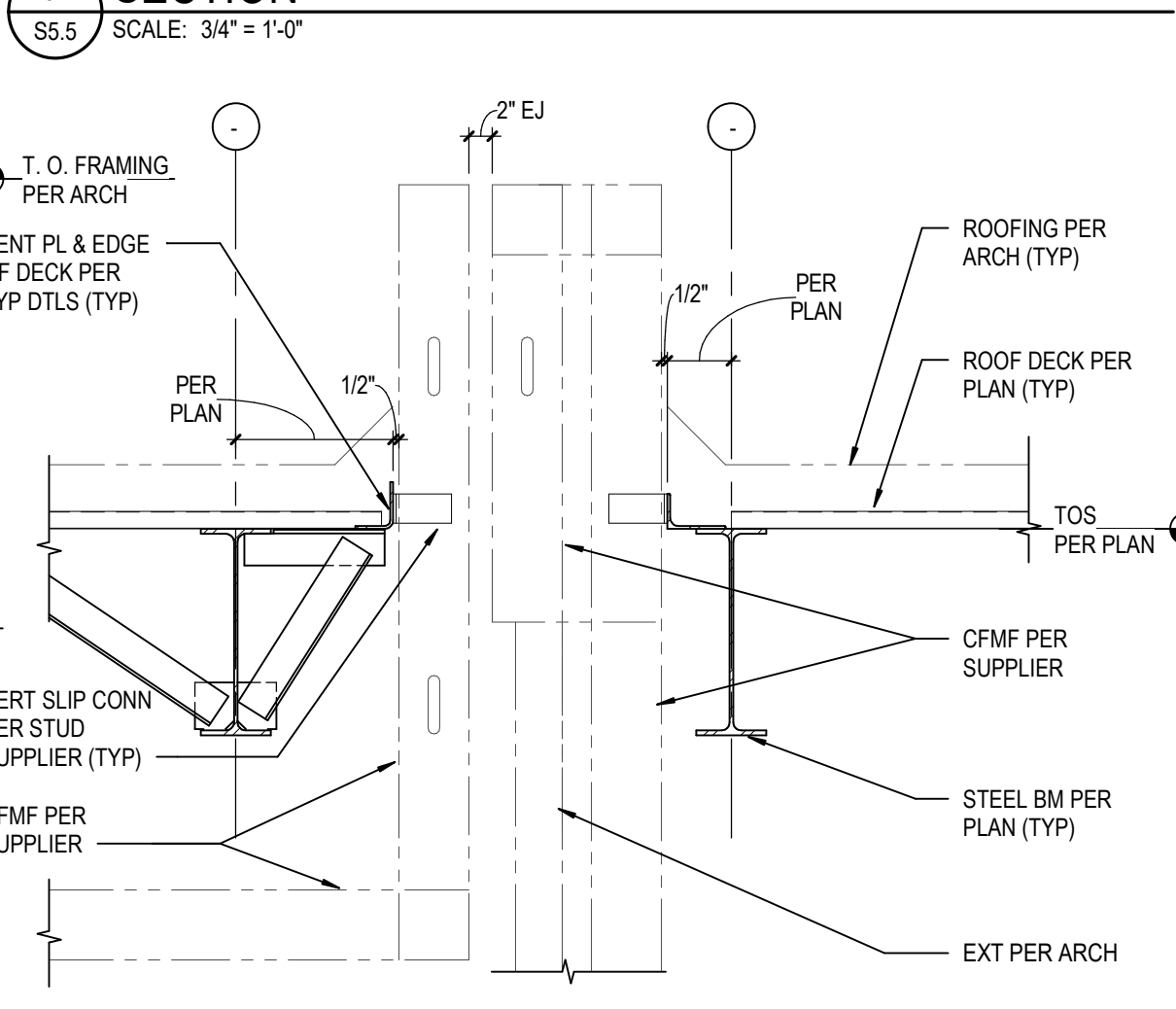
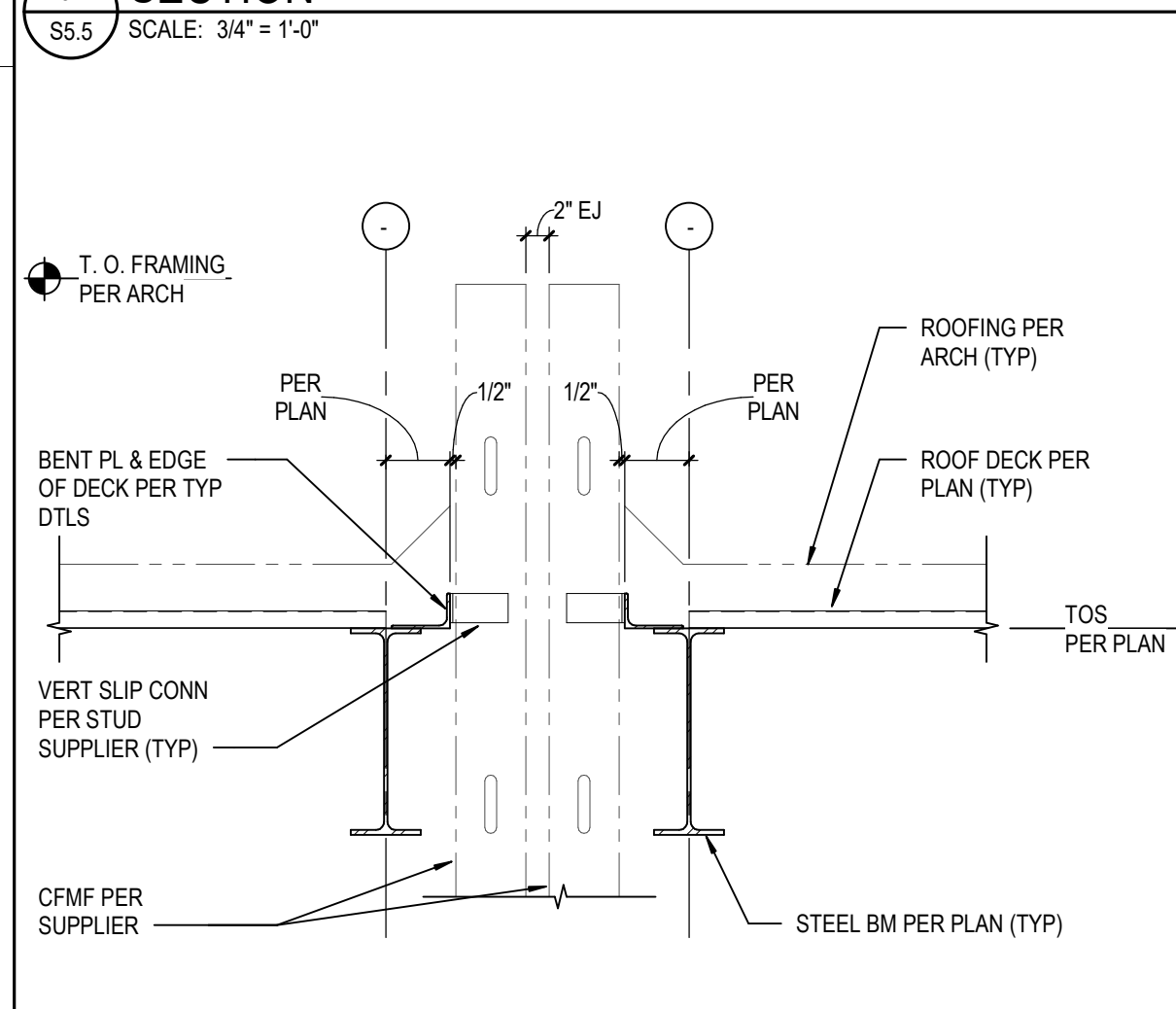
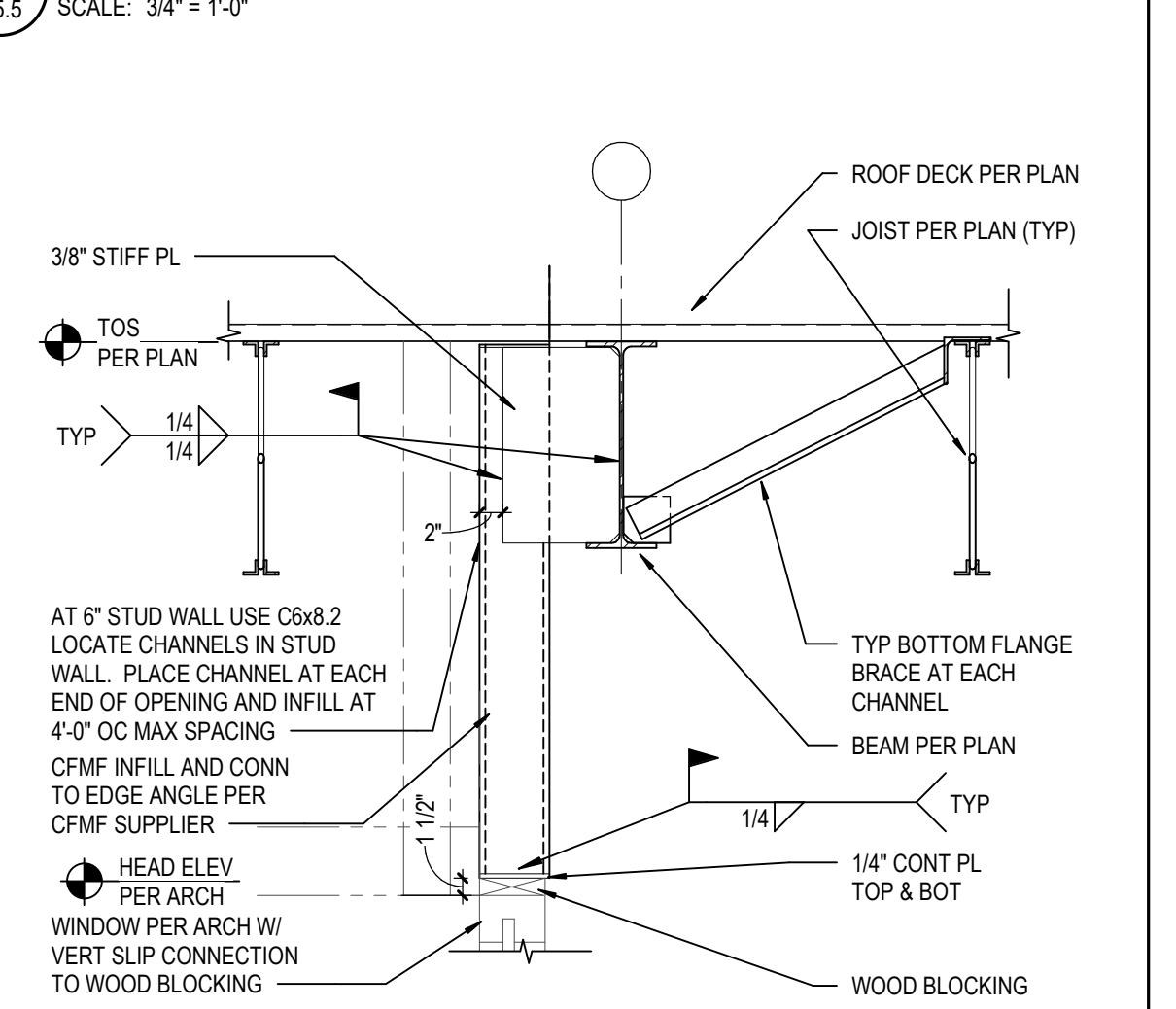
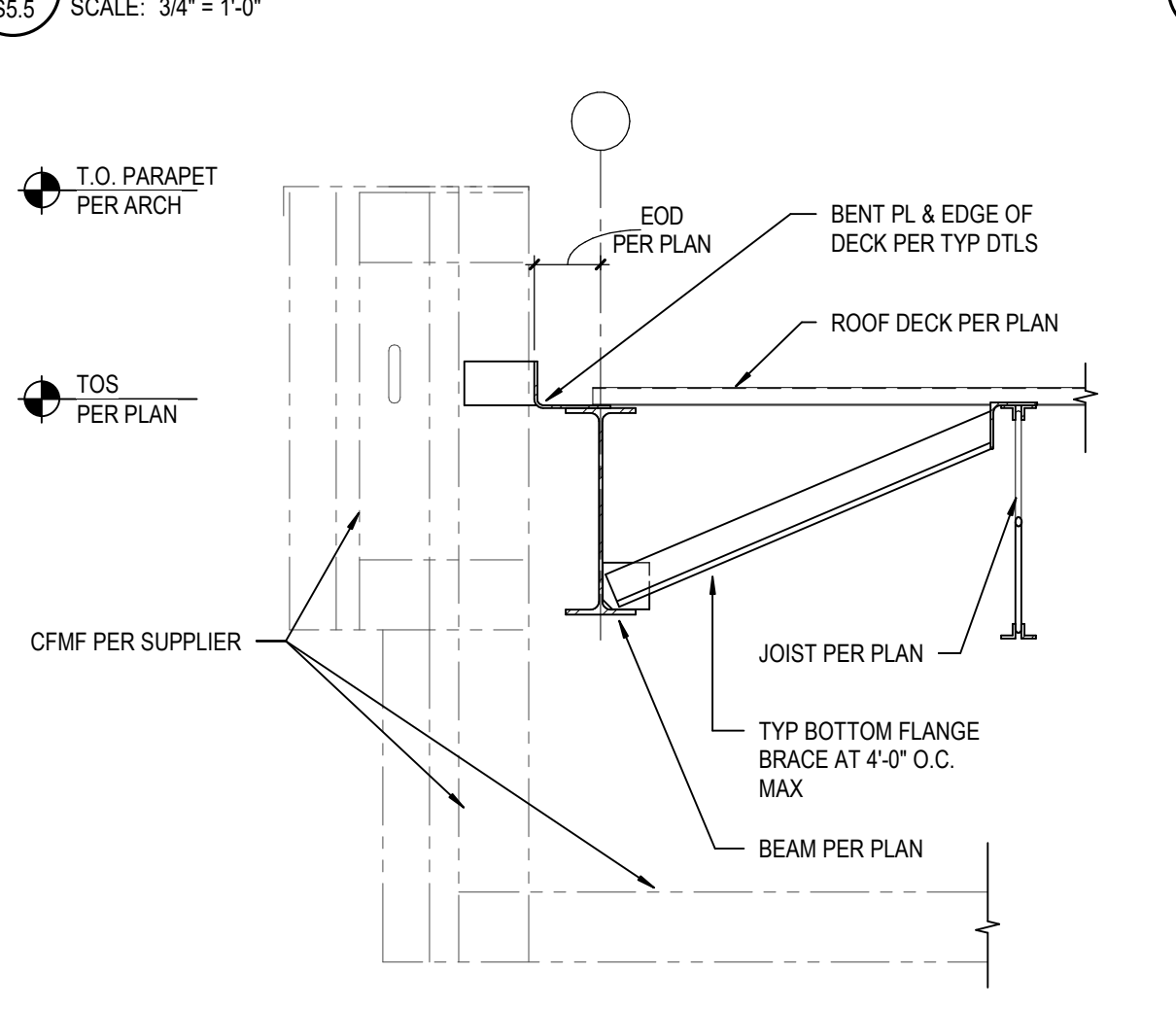
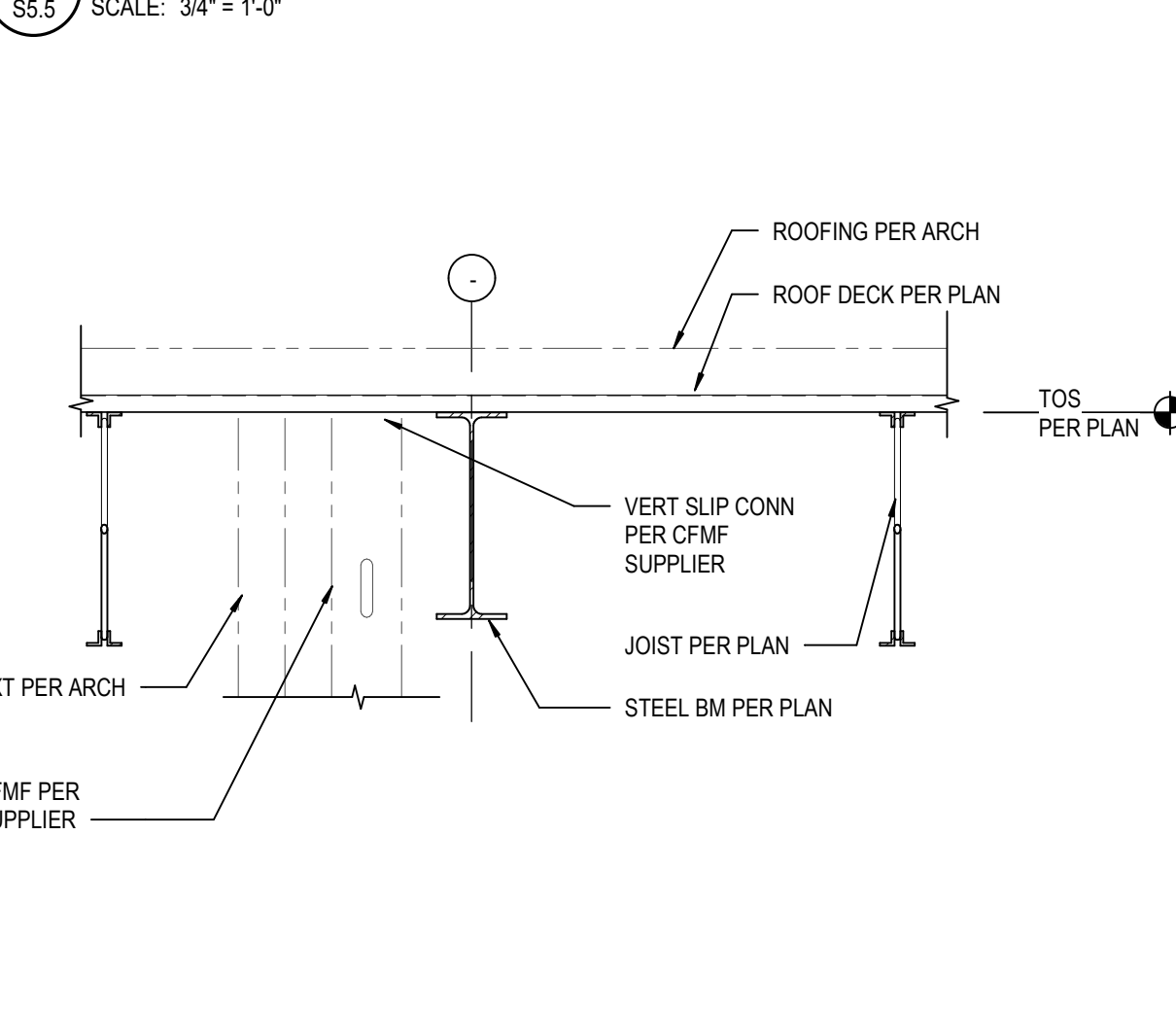
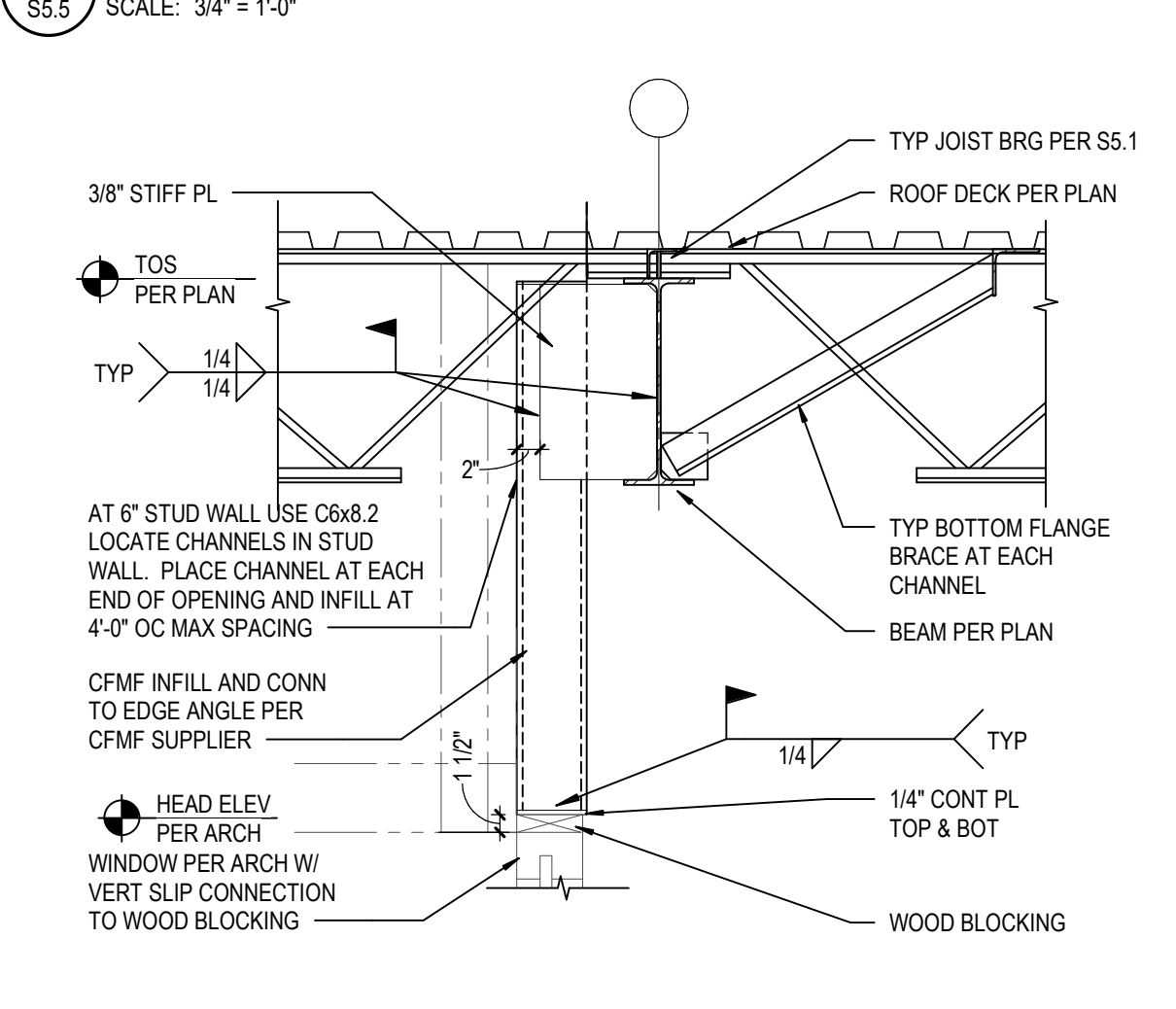
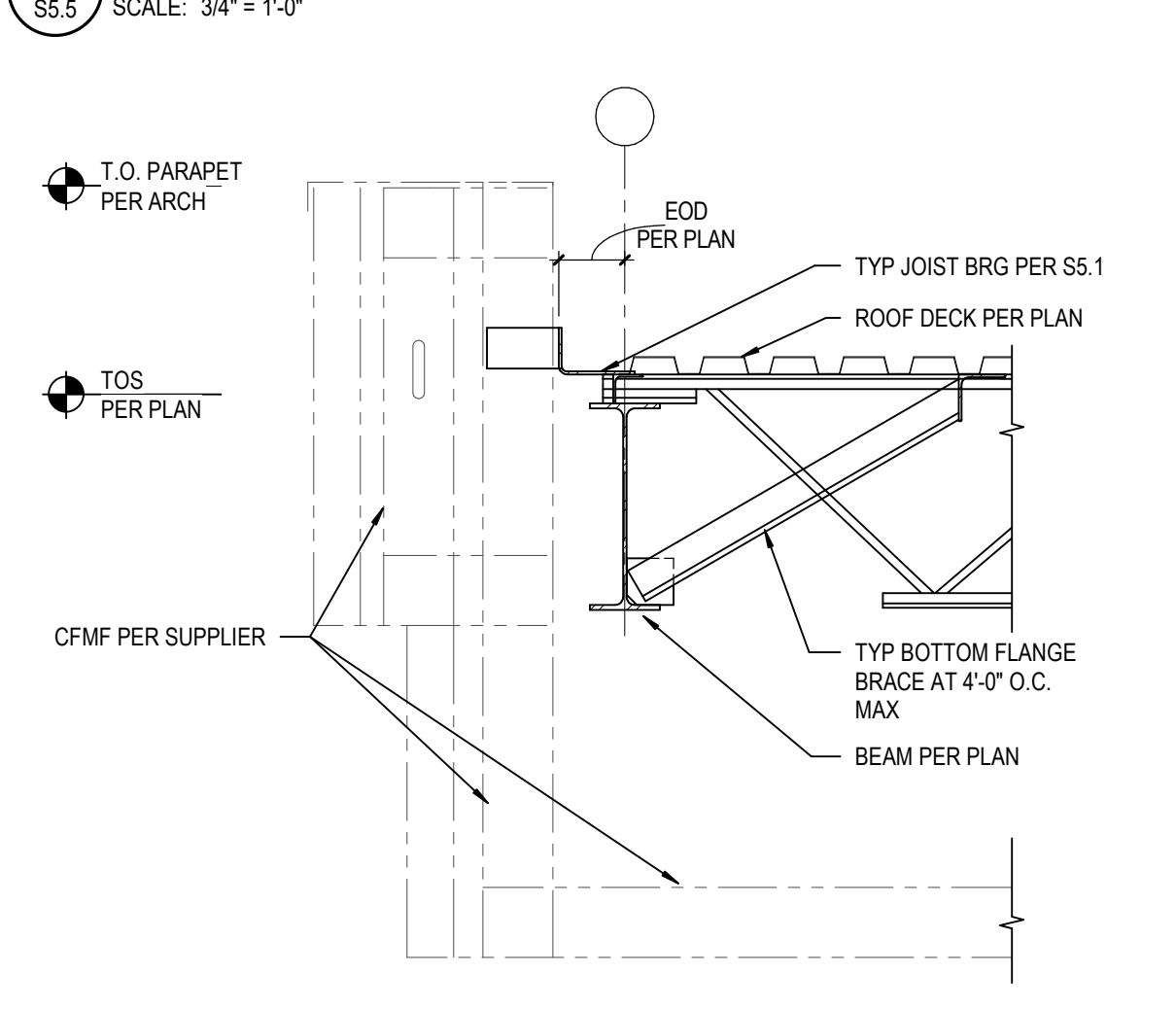
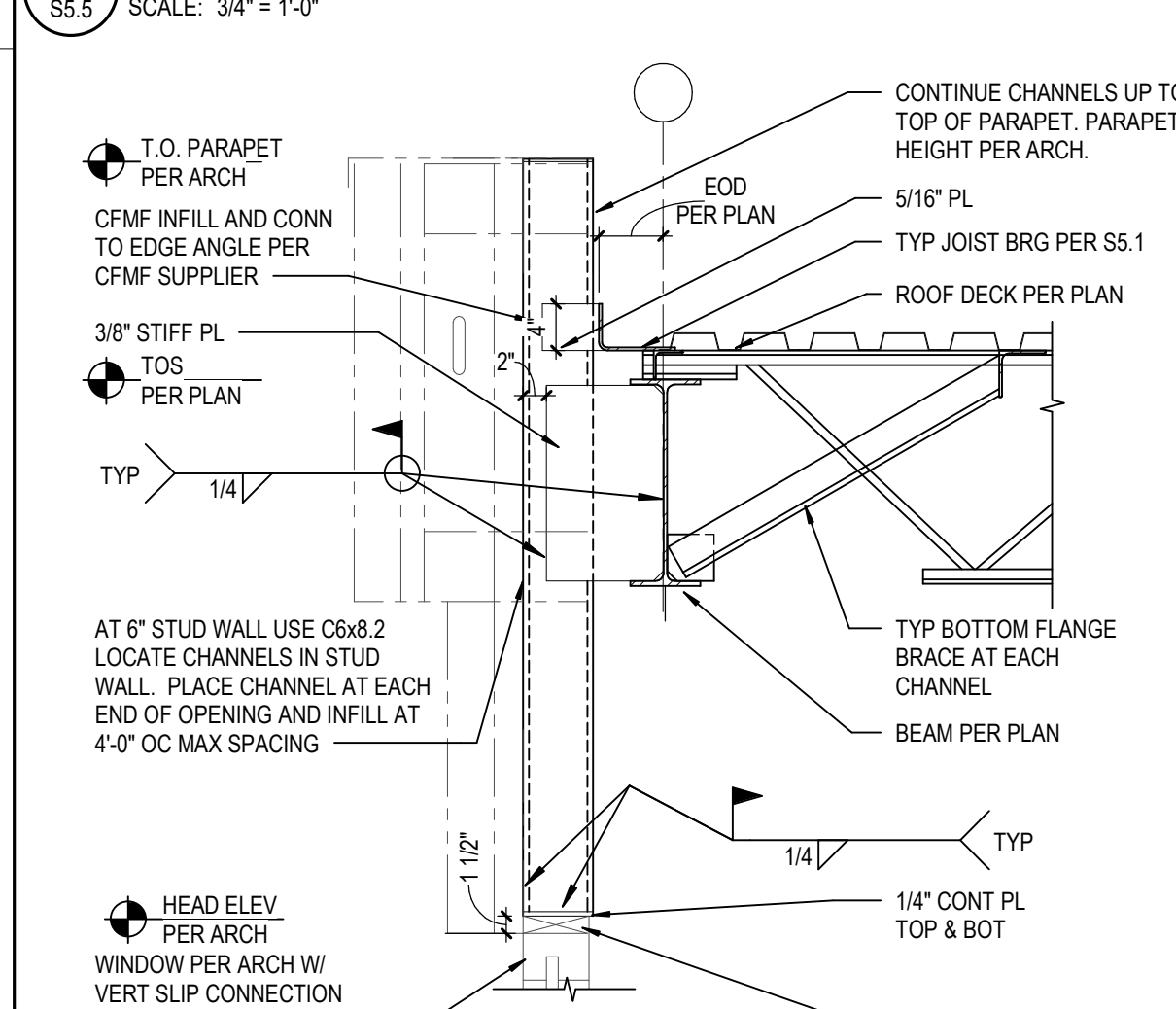
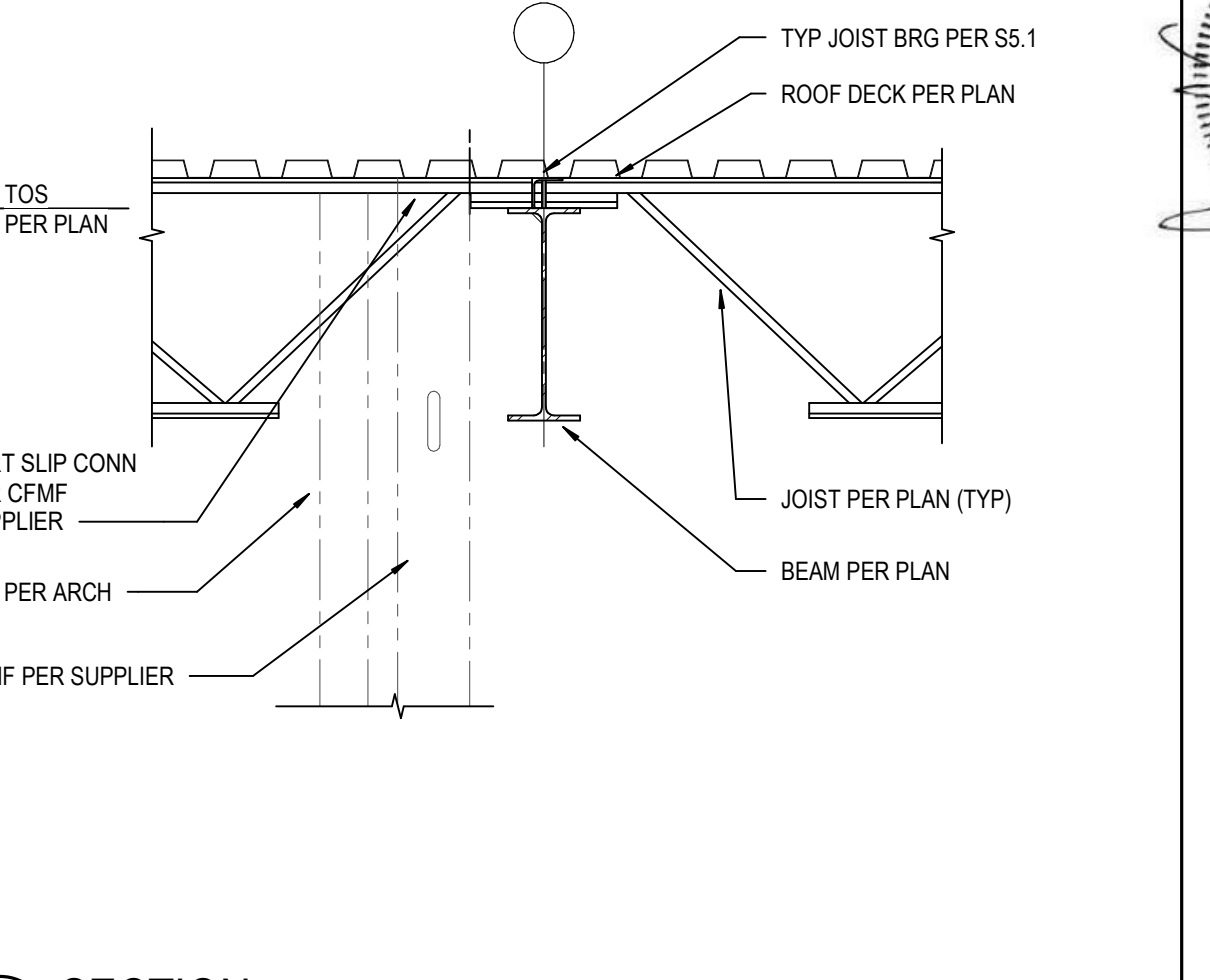
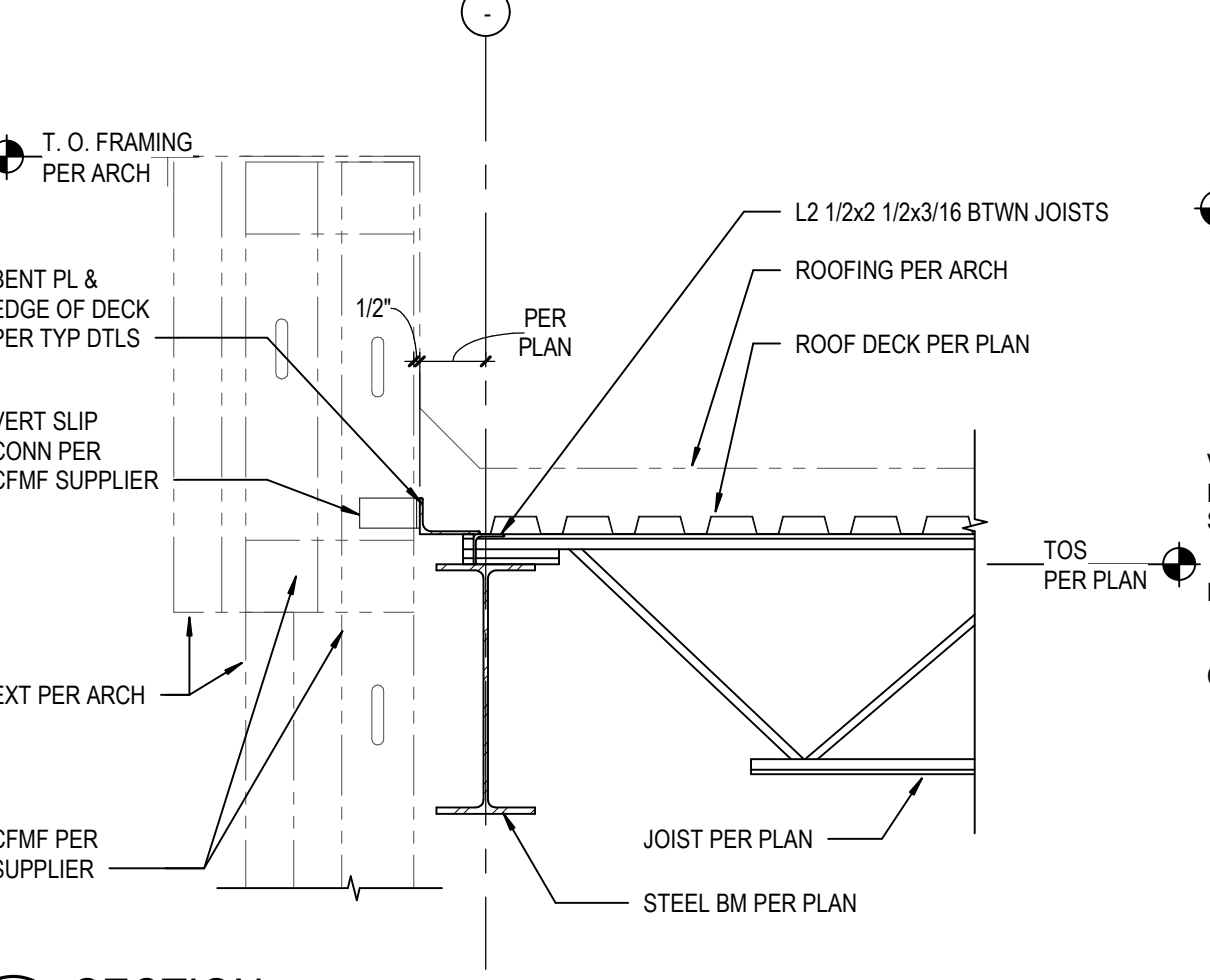
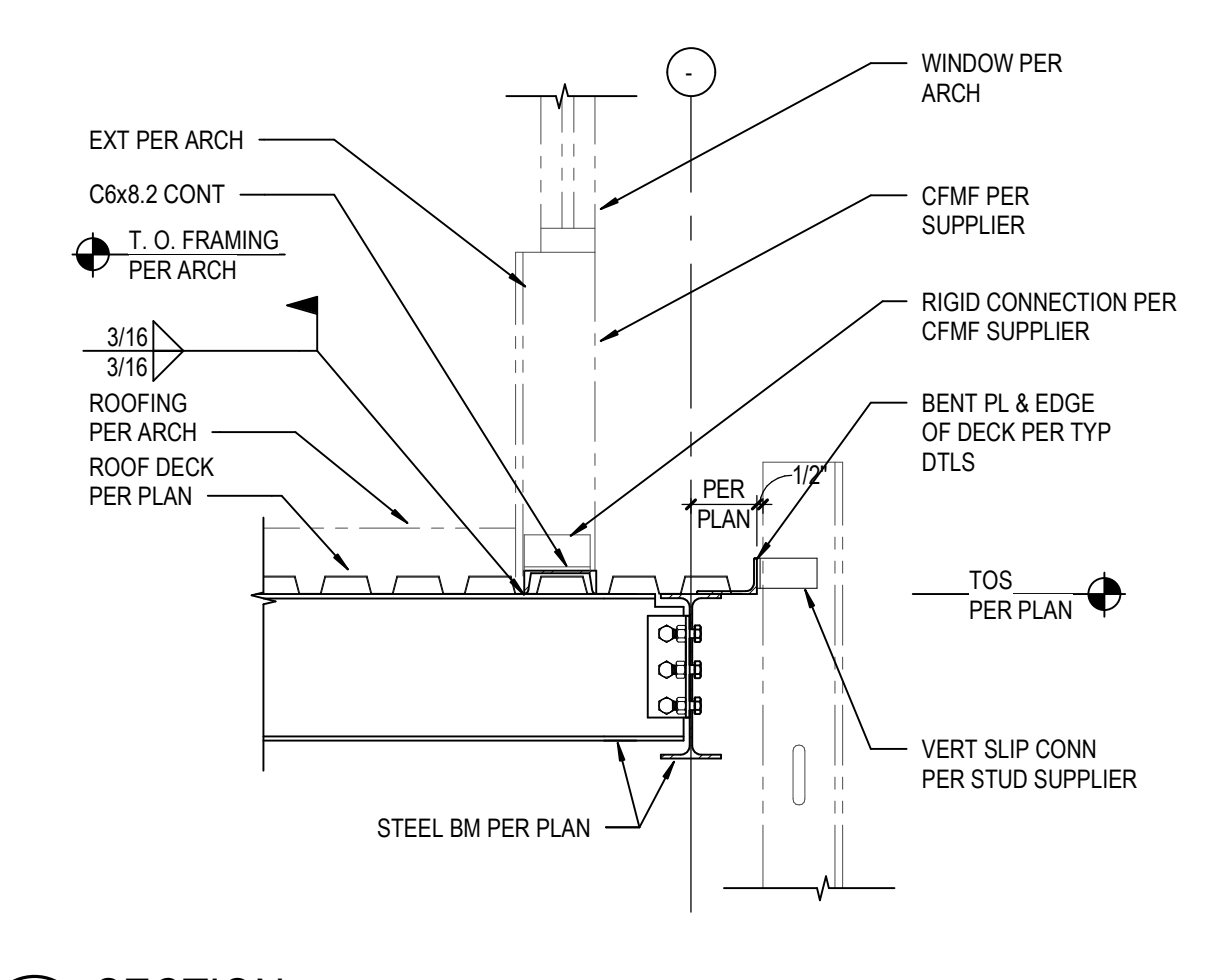
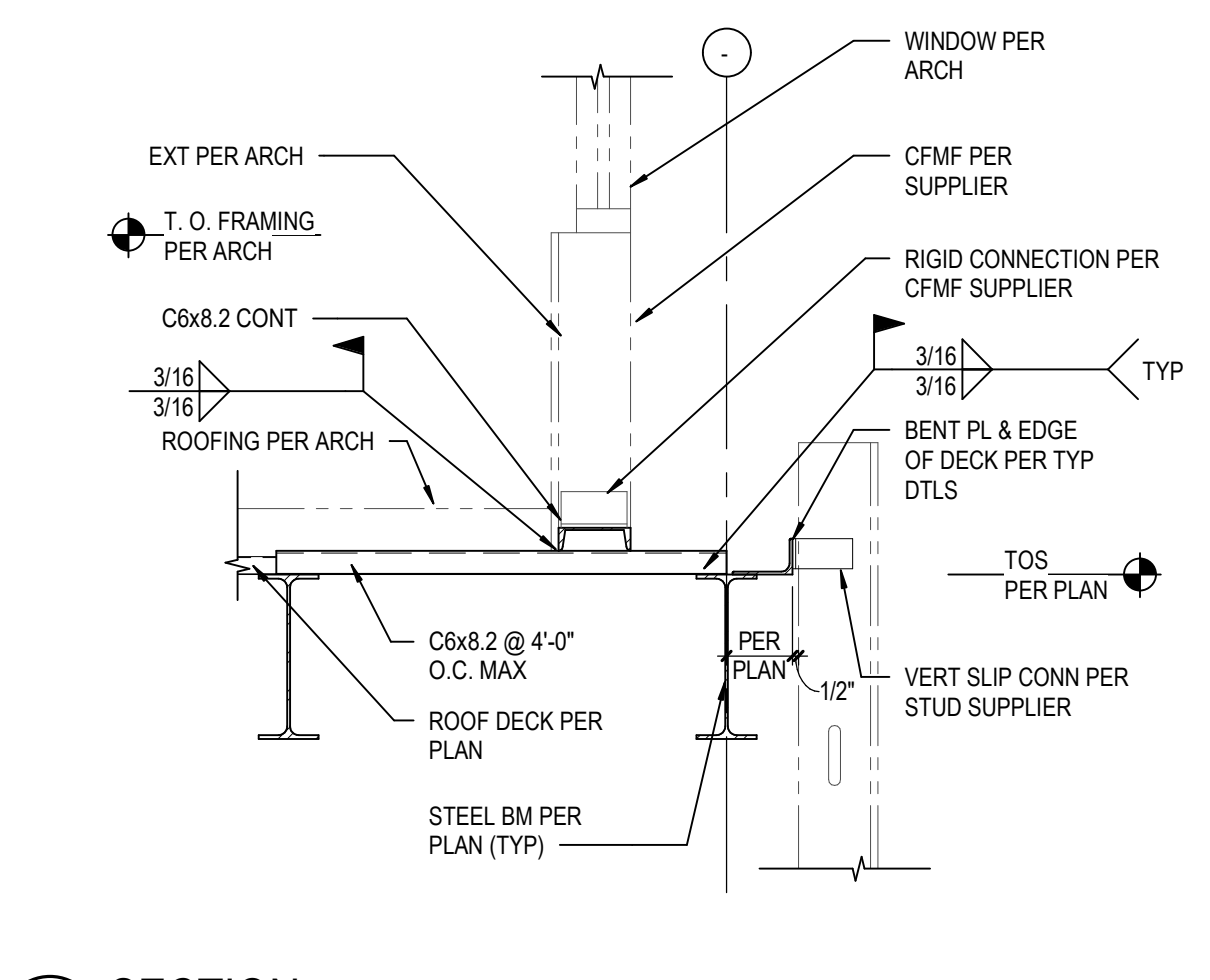
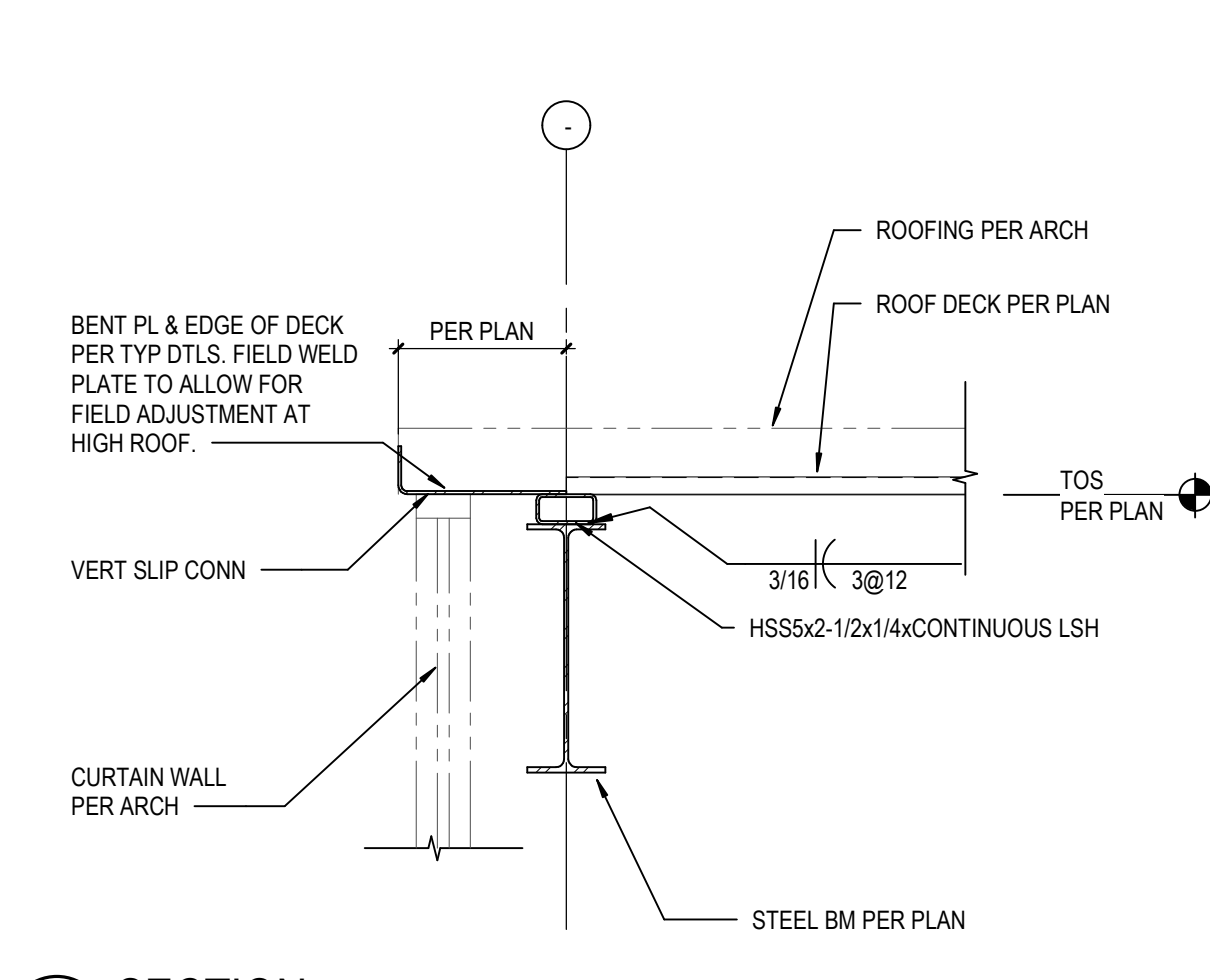
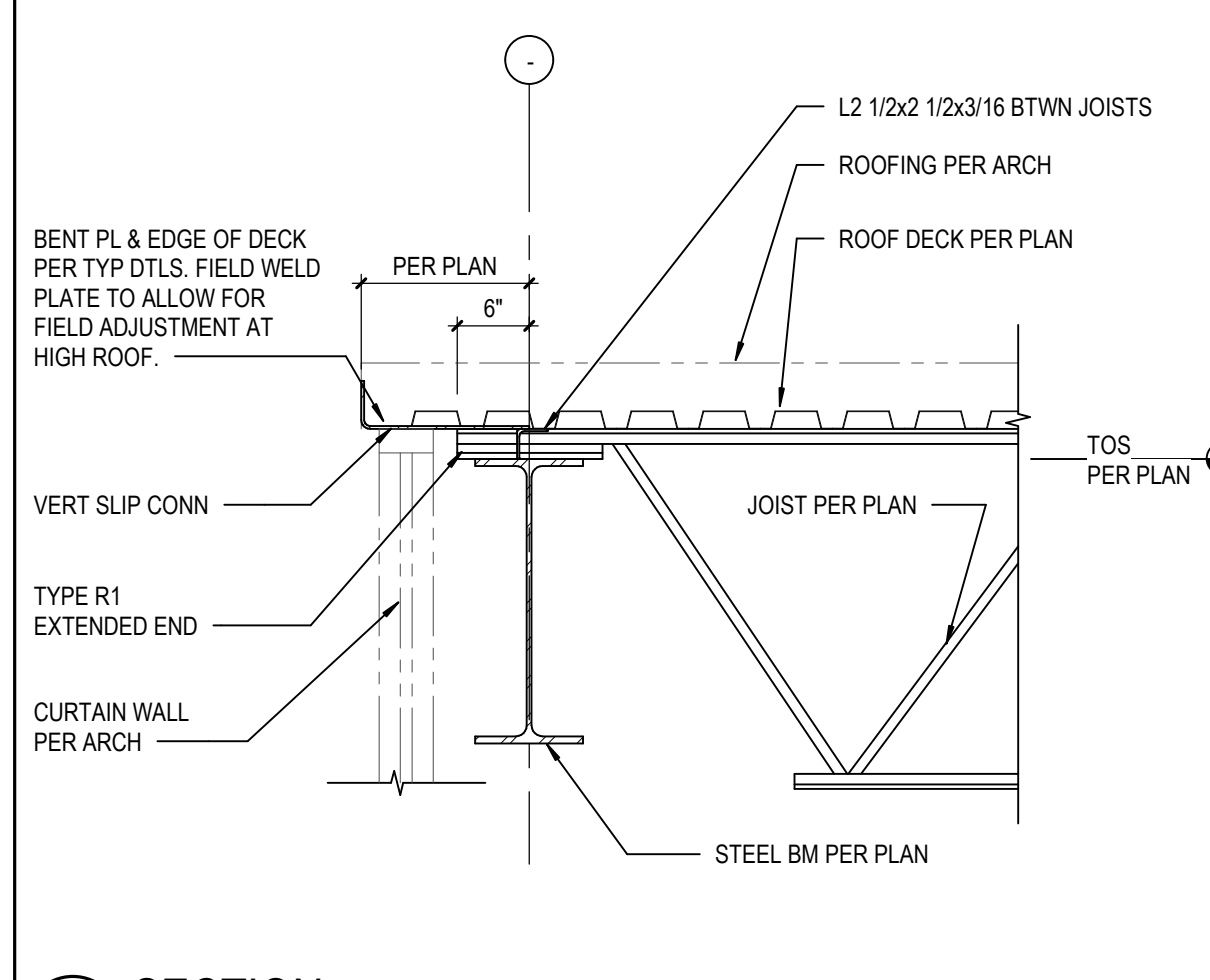
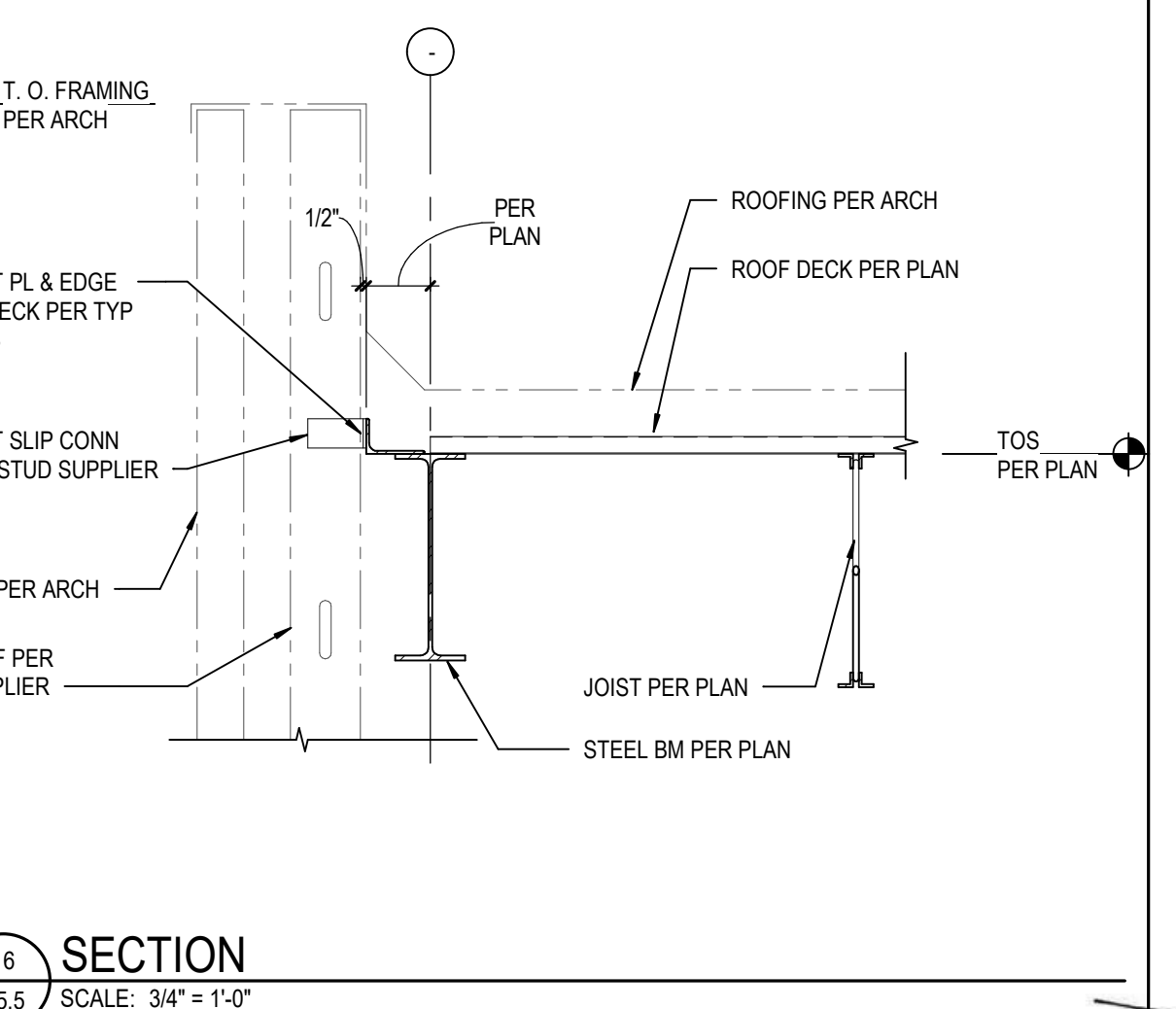
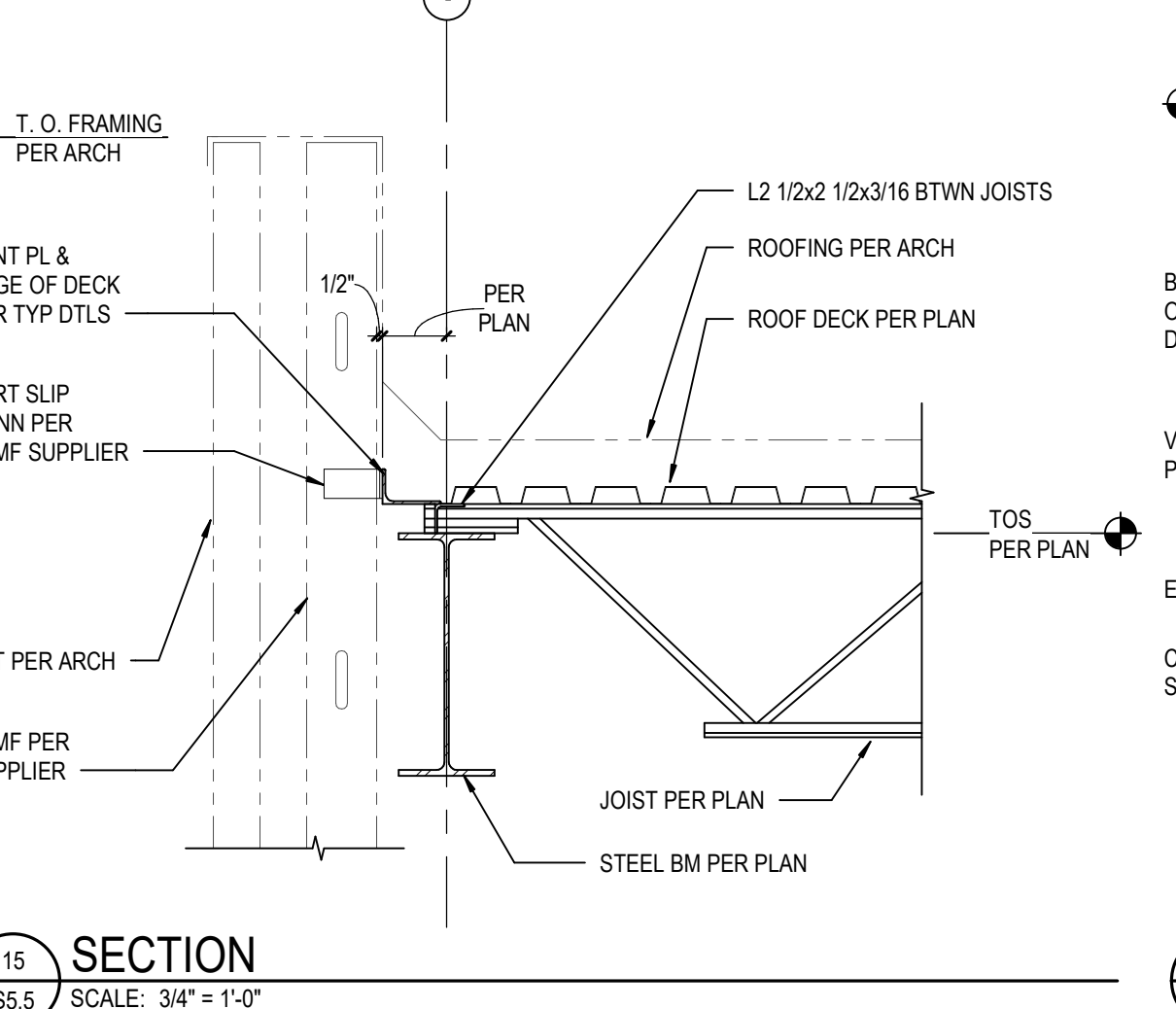
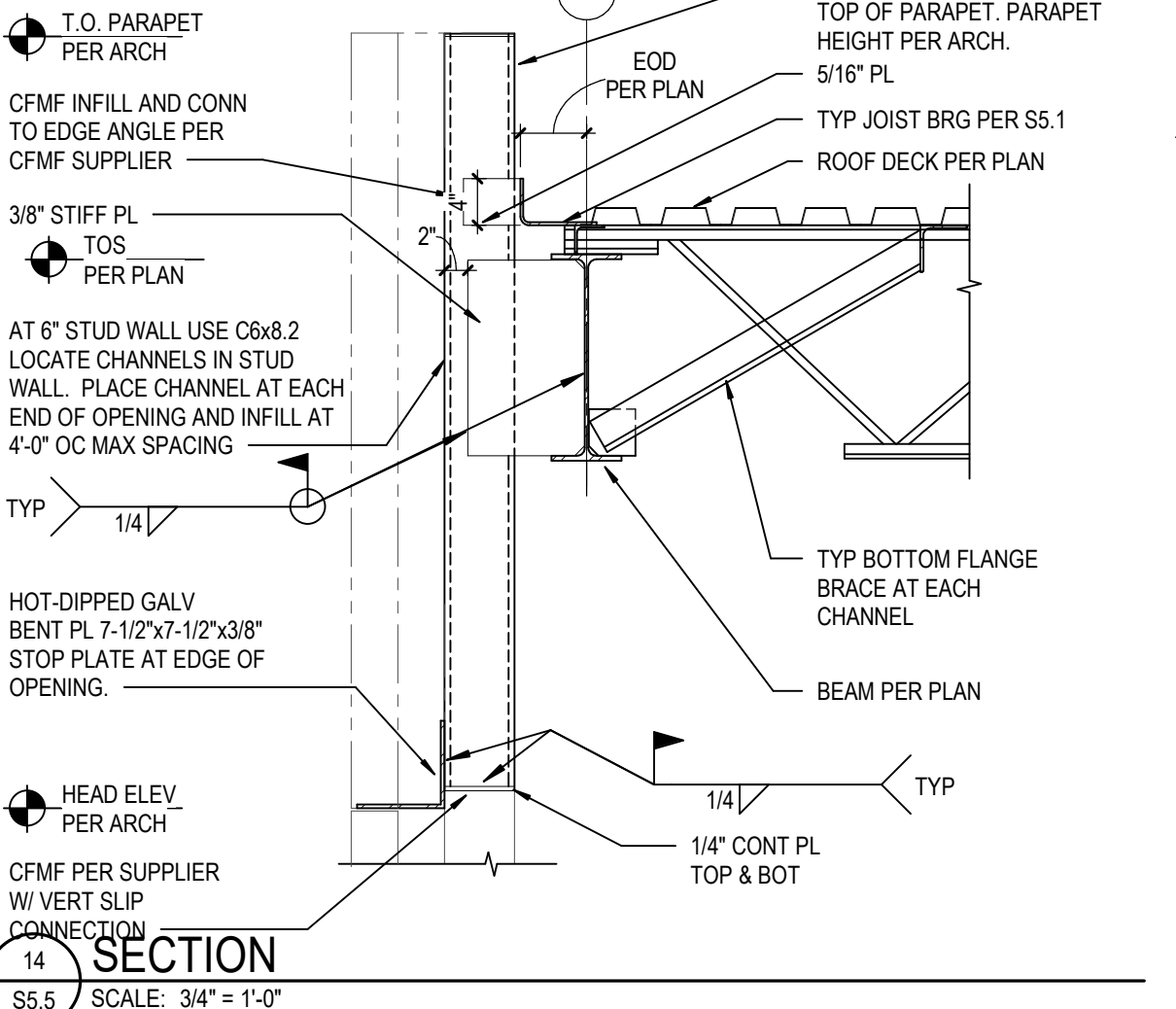
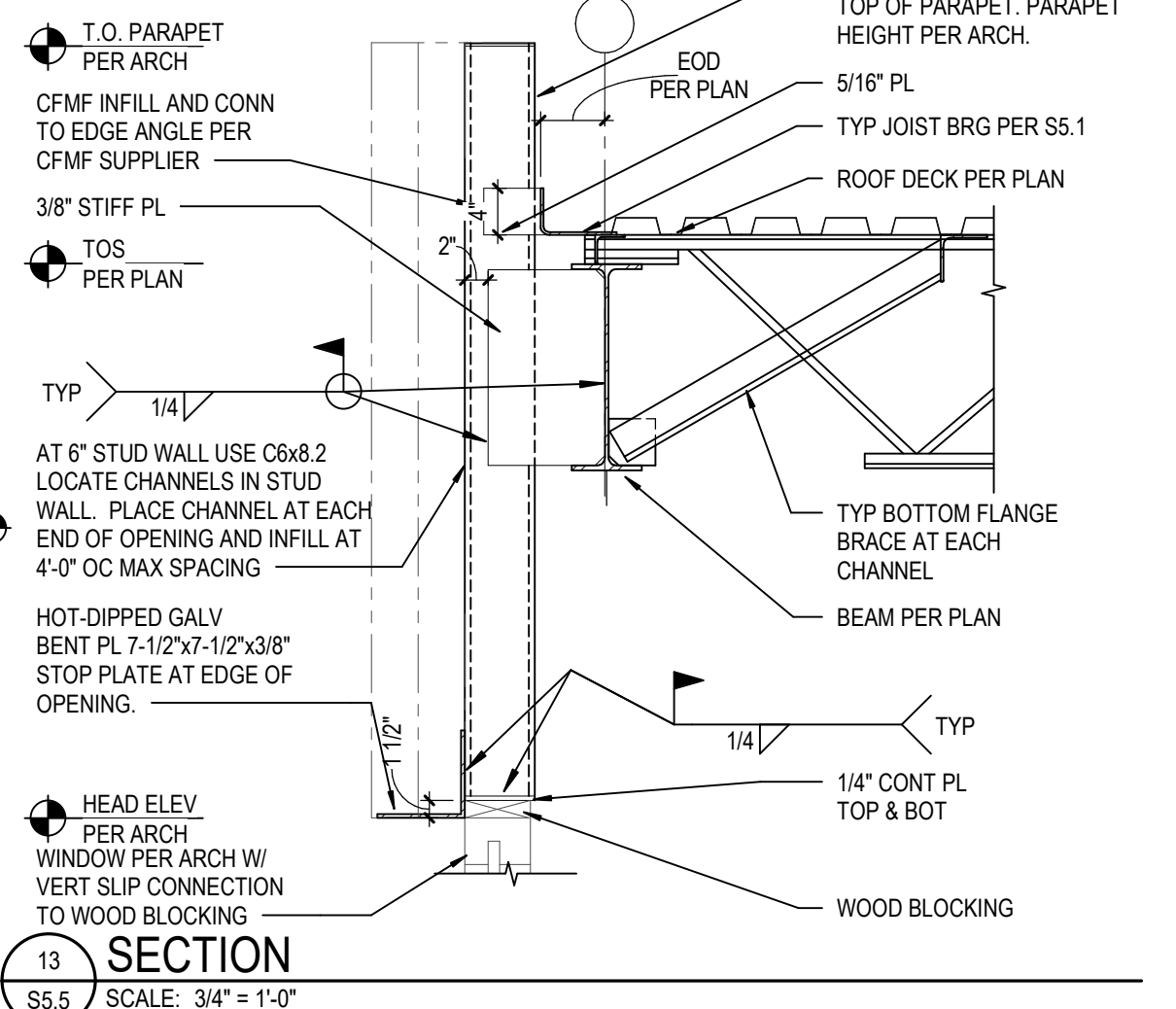
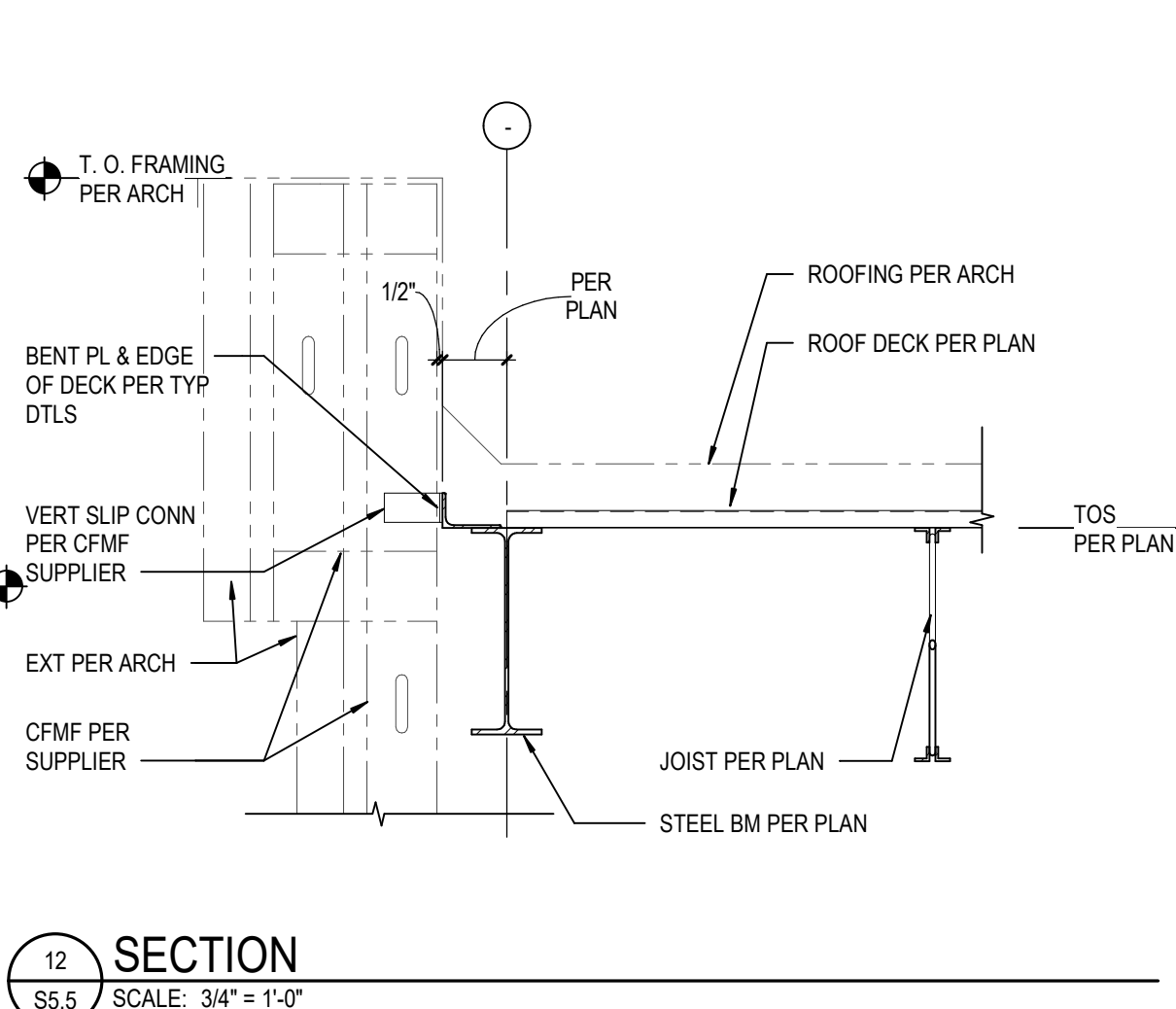
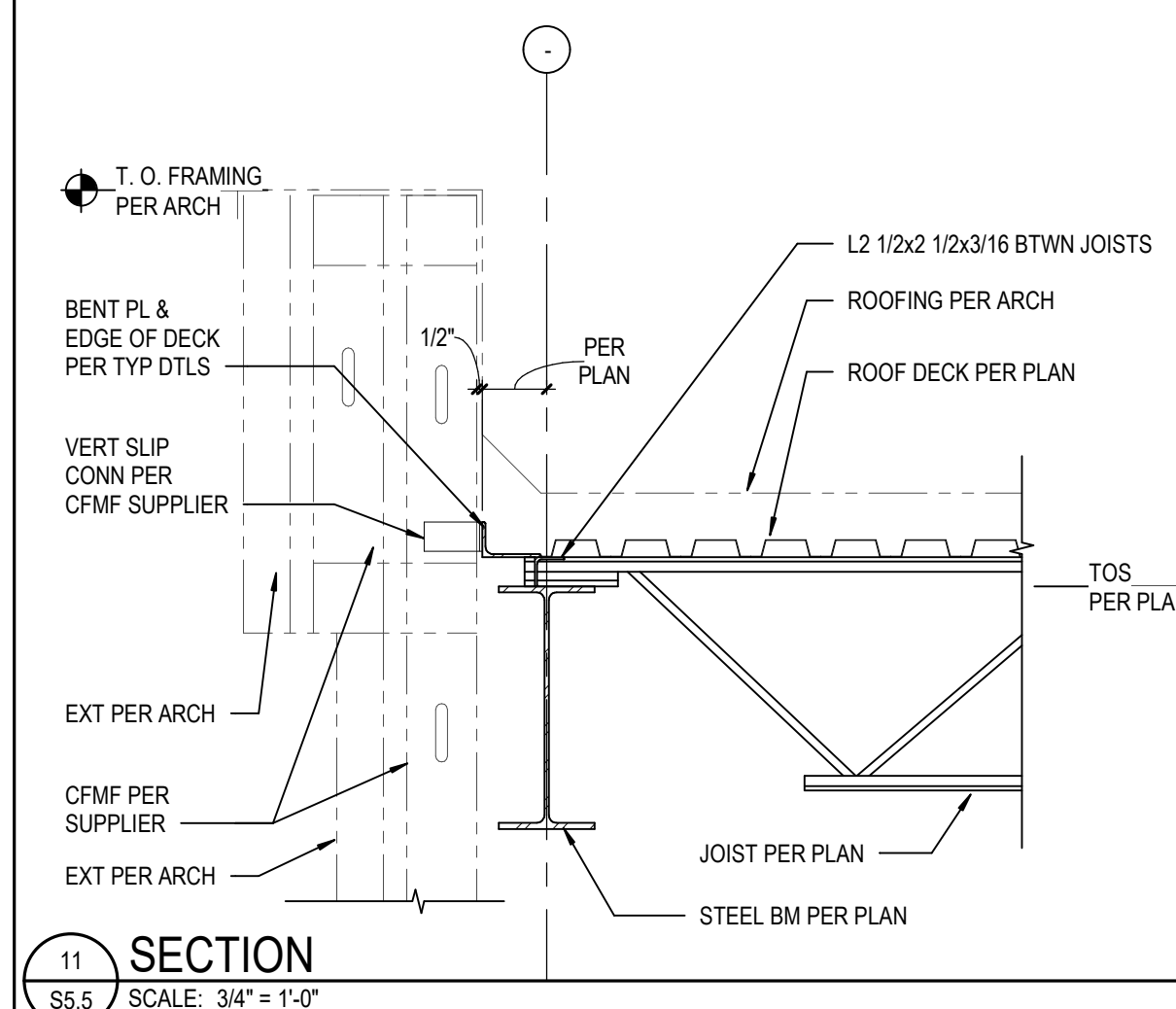
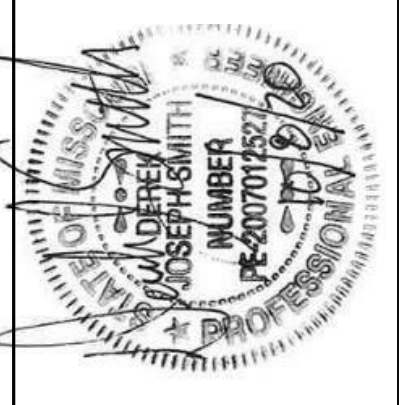
52 TYP ROOF TOP UNIT SUPPORT DETAIL AT 1-1/2" DEEP ROOF DECK
SCALE: 1/2" = 1'-0"

54 ROOF DECK SCHEDULE
SCALE: 3/4" = 1'-0"

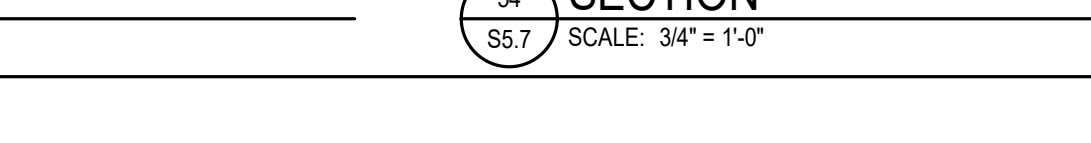
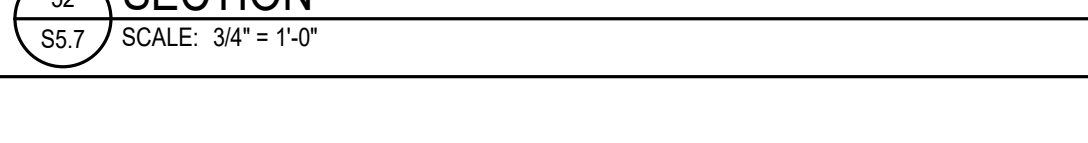
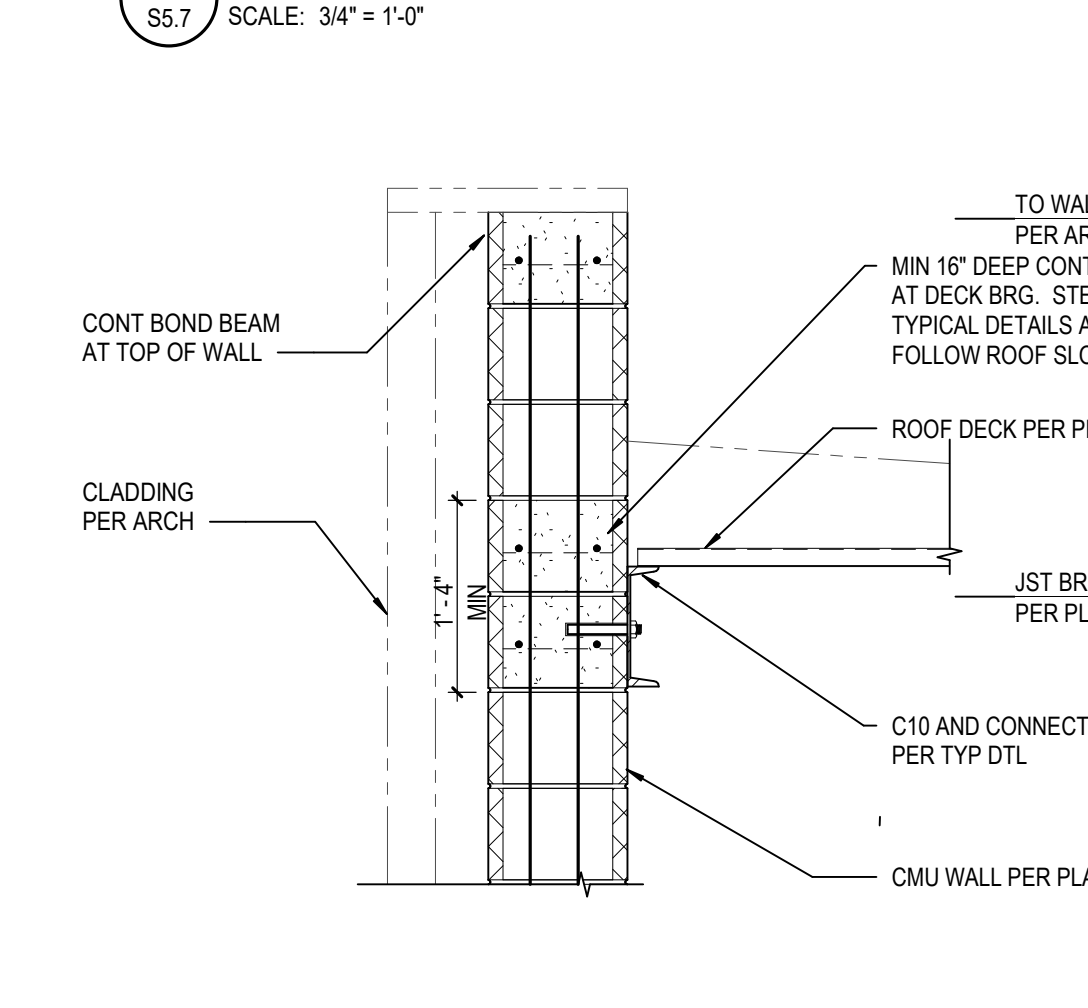
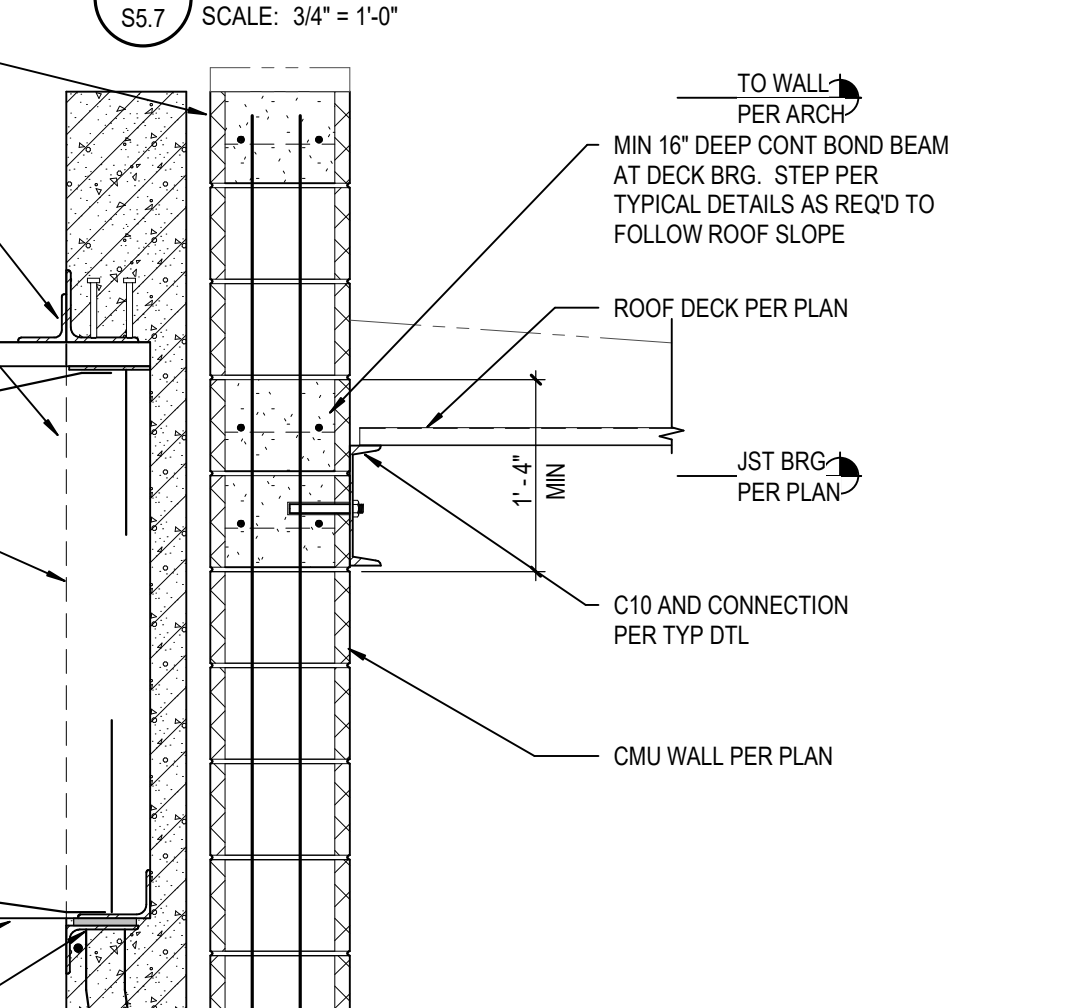
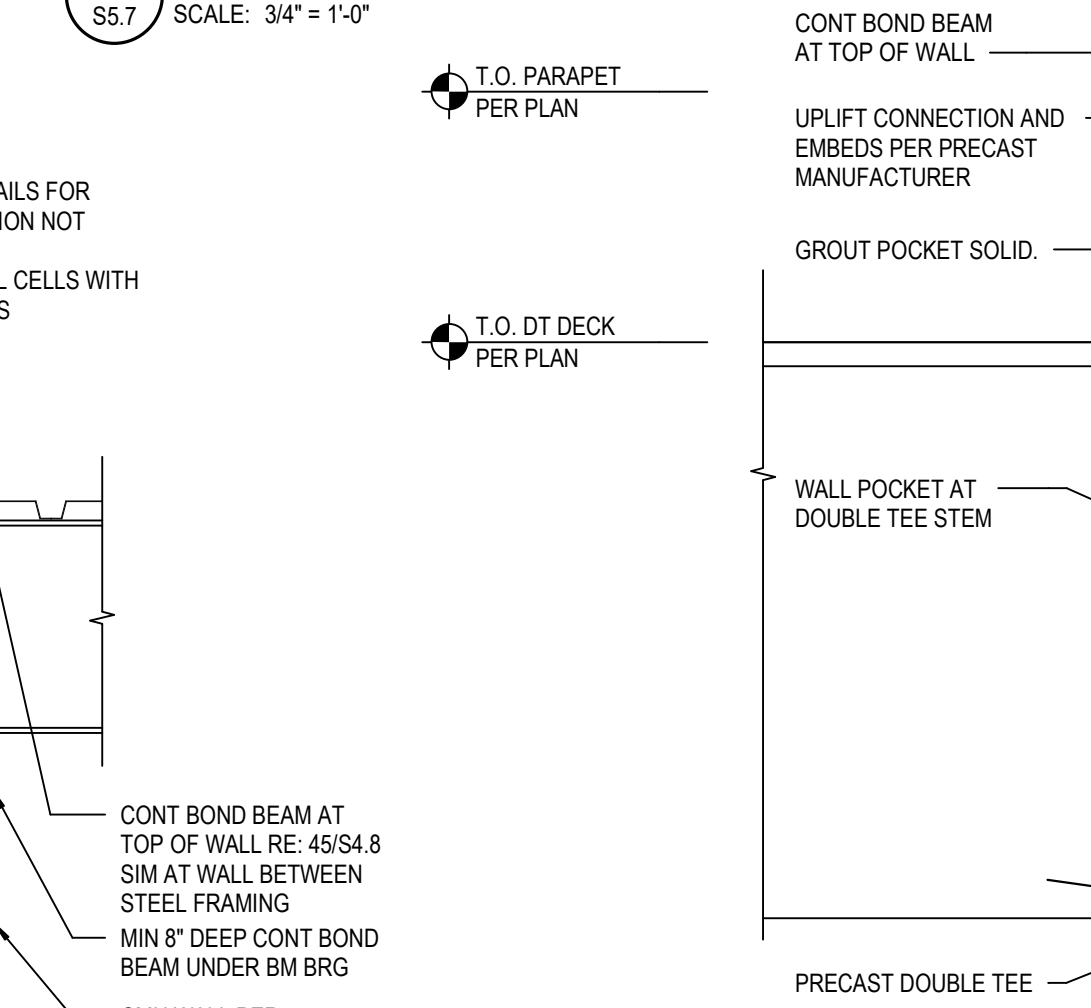
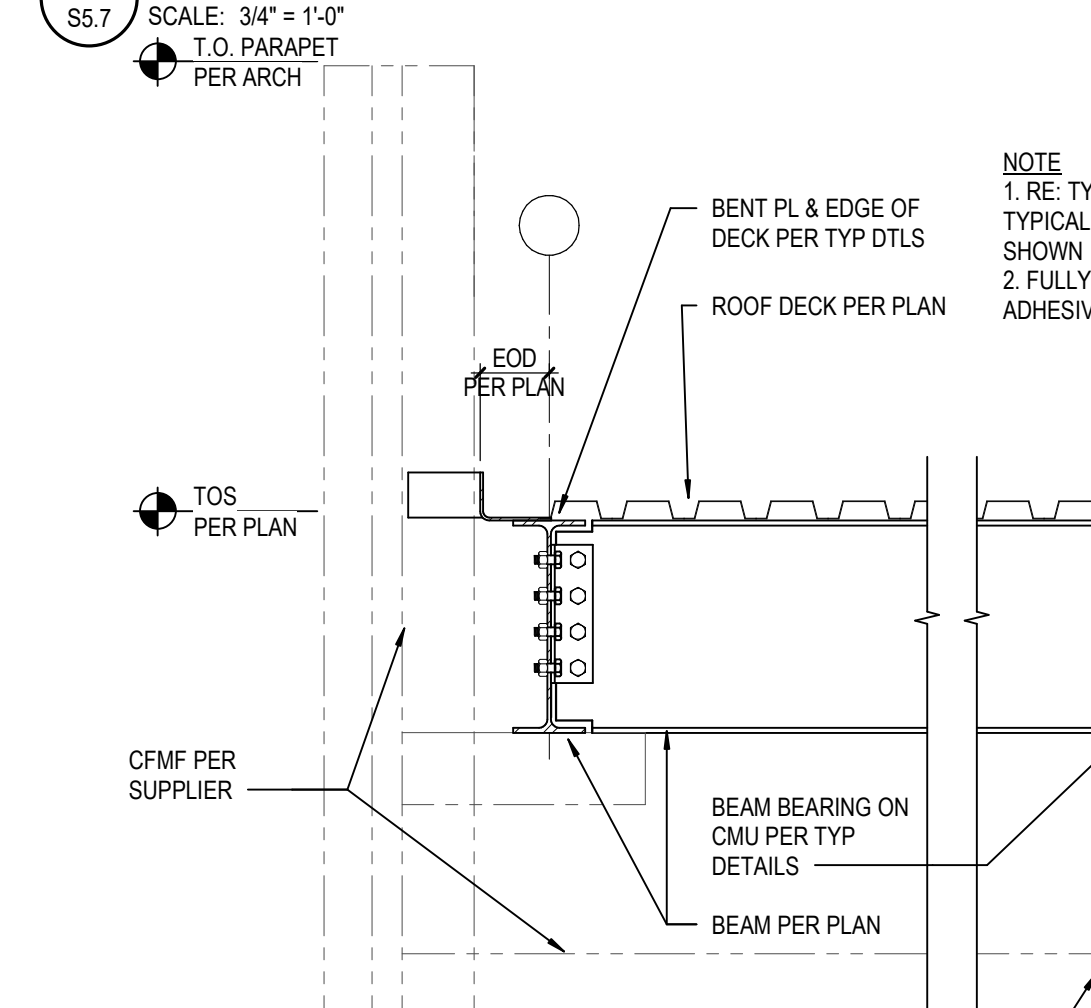
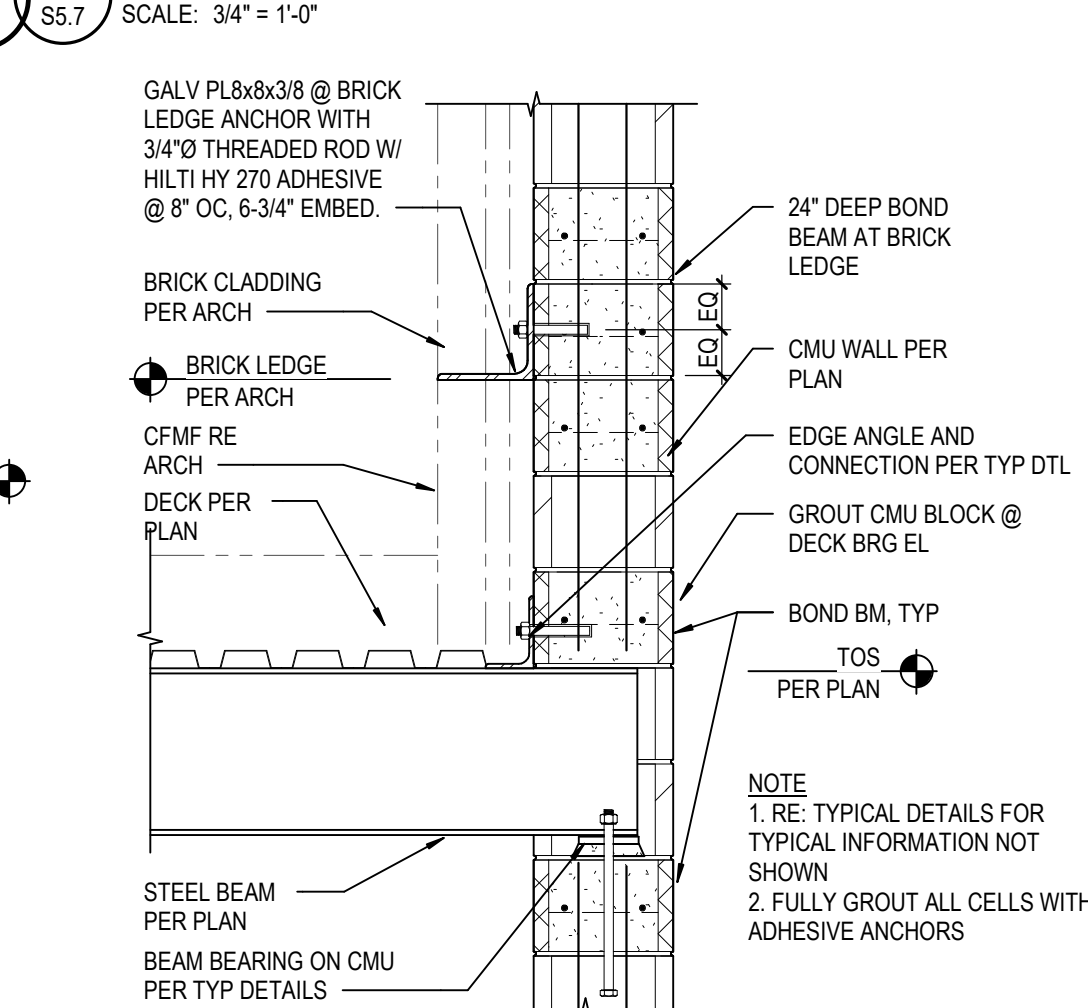
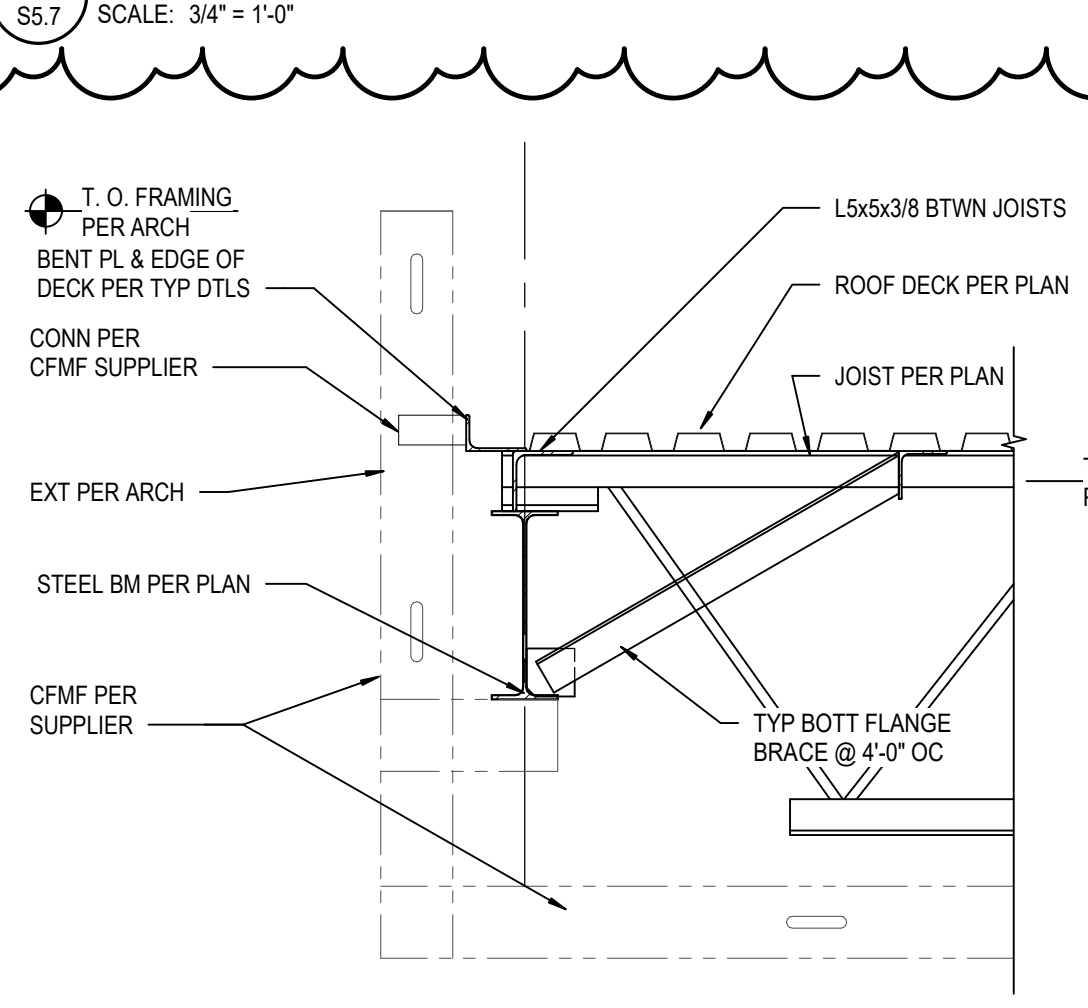
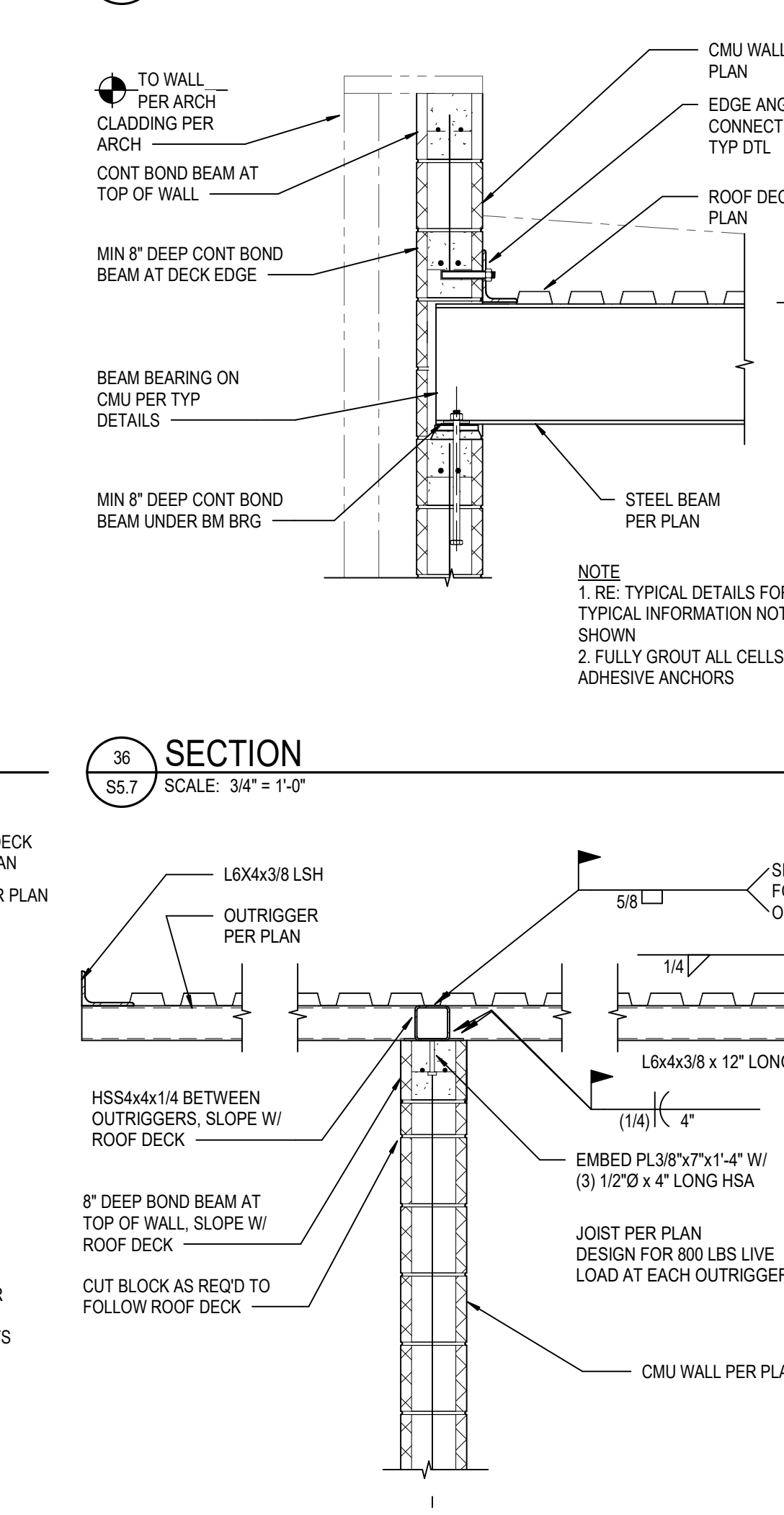
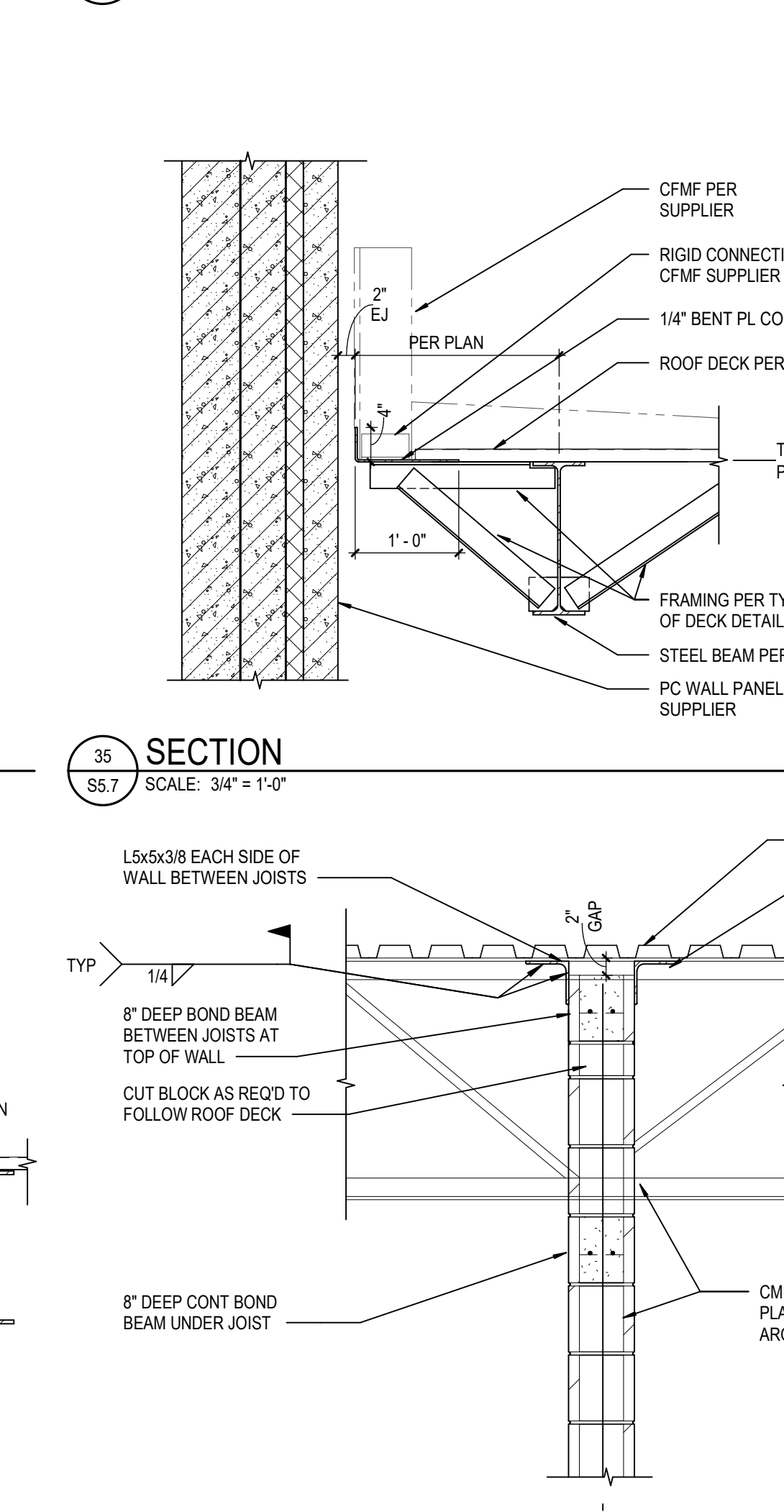
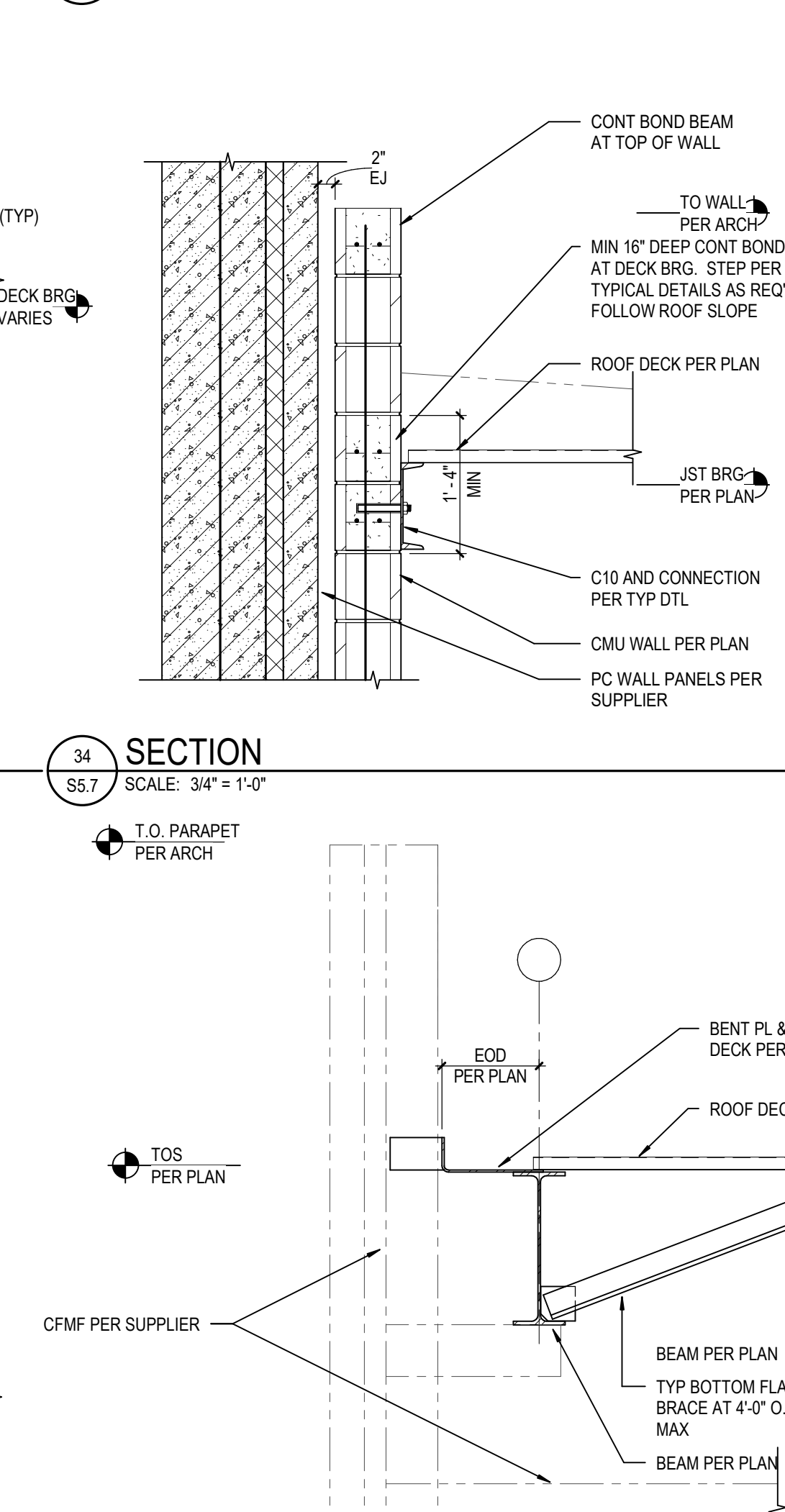
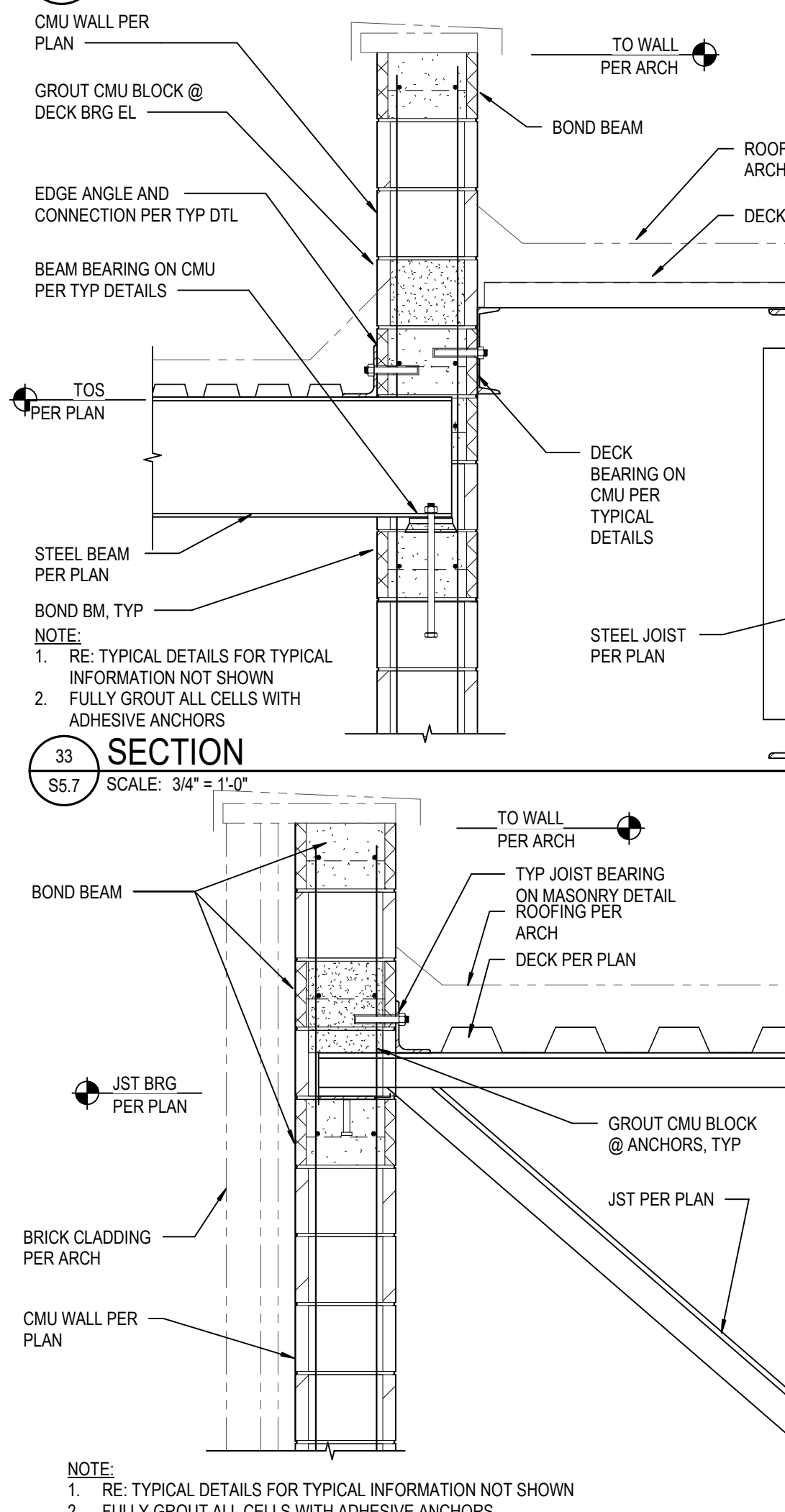
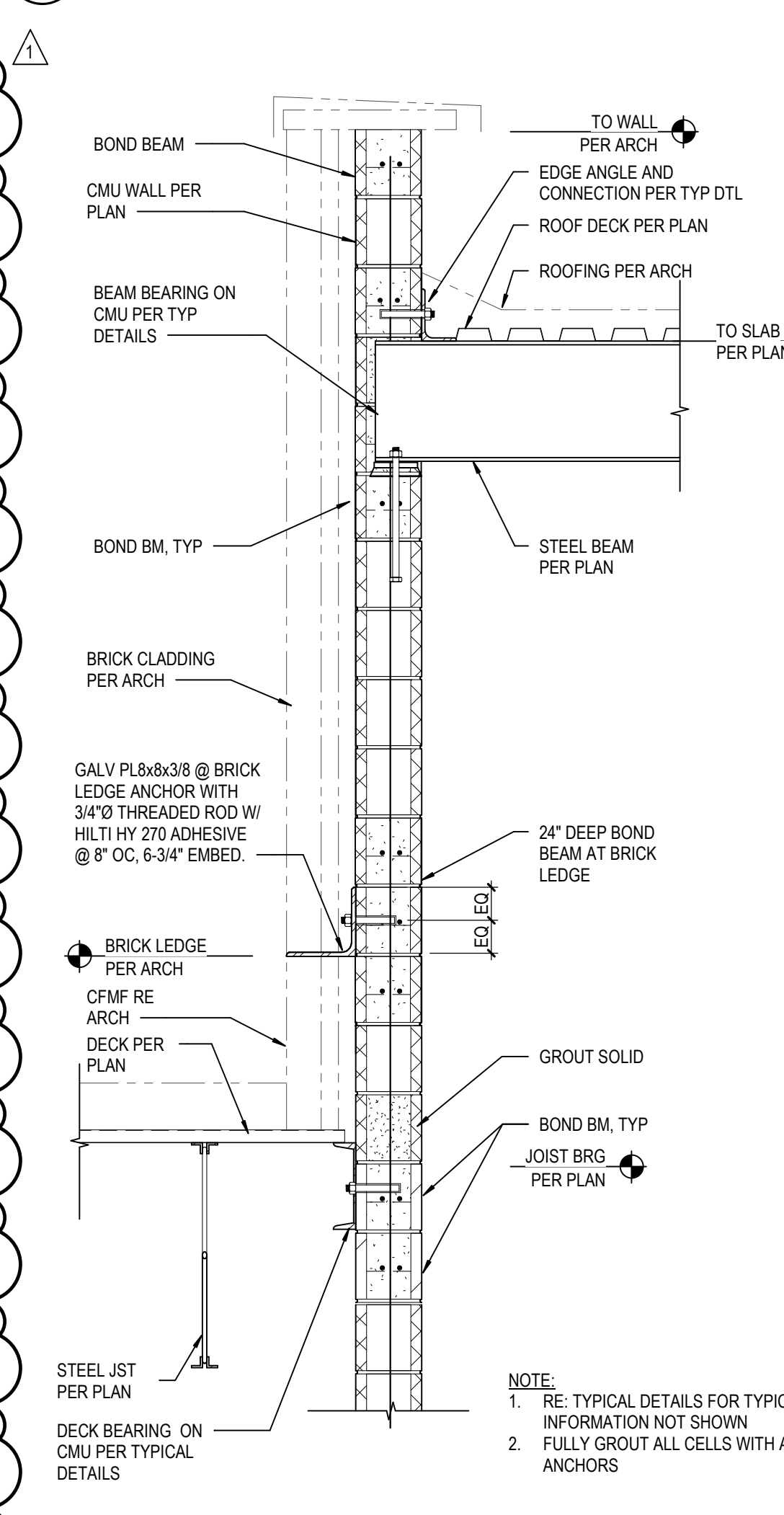
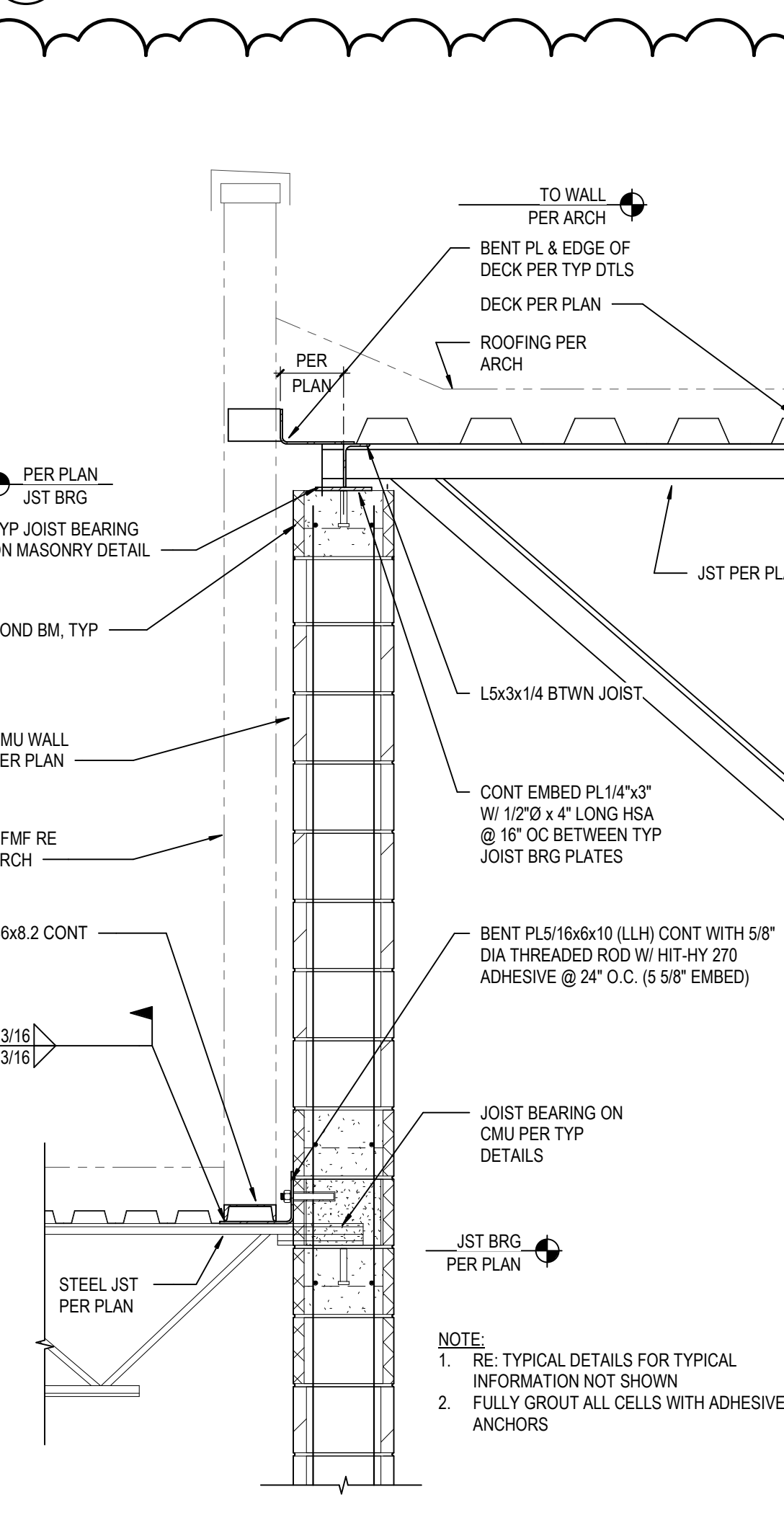
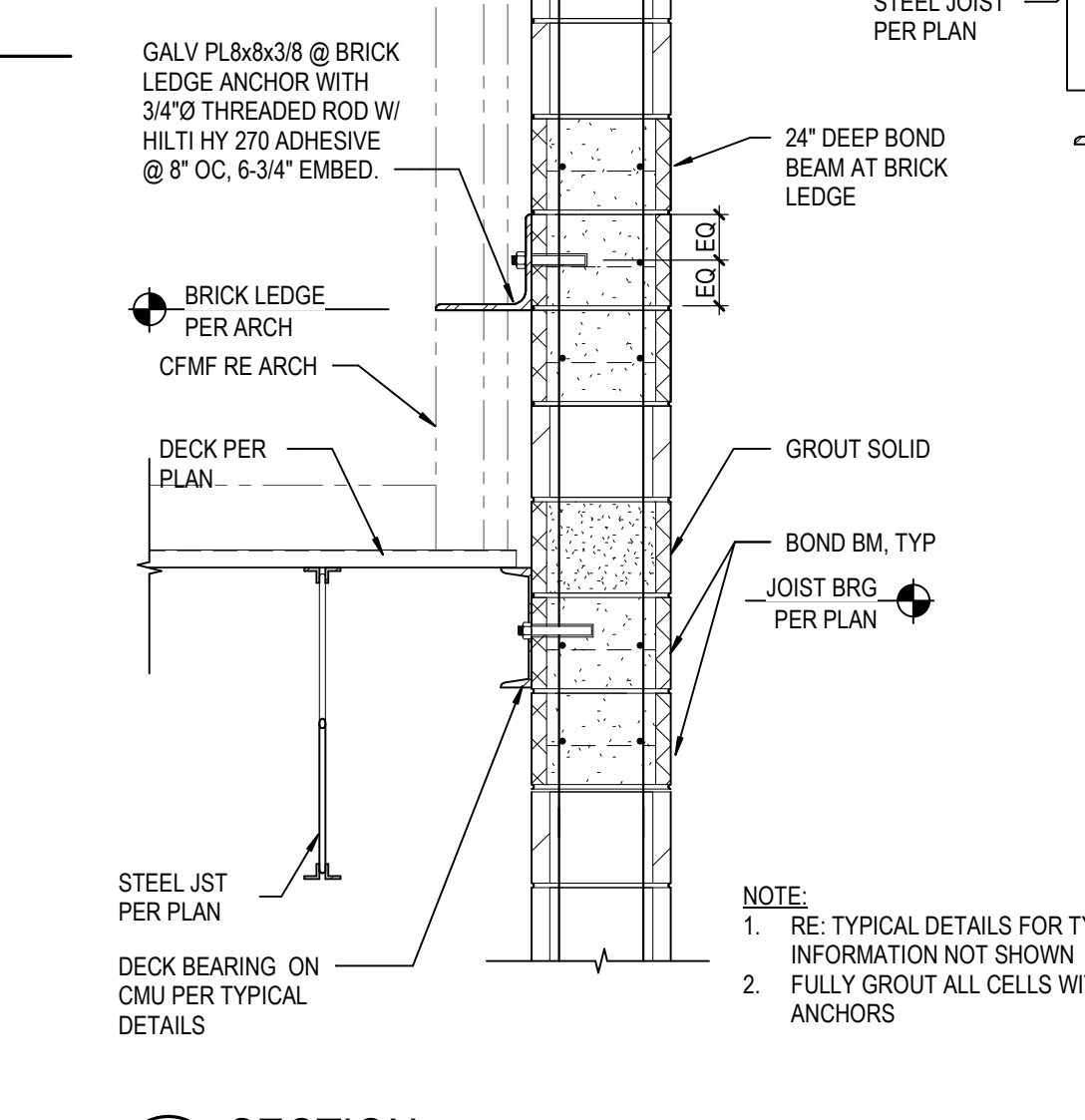
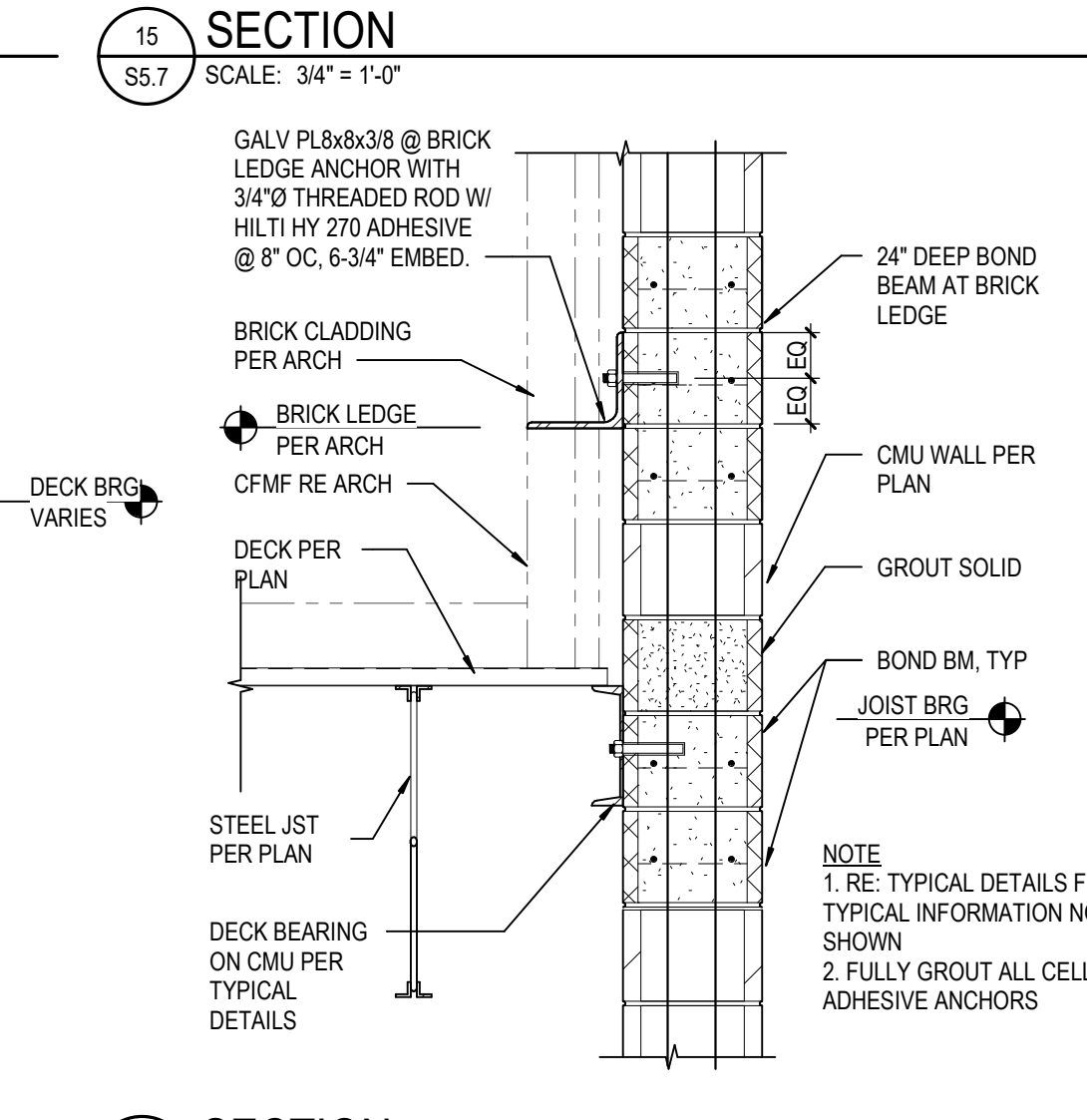
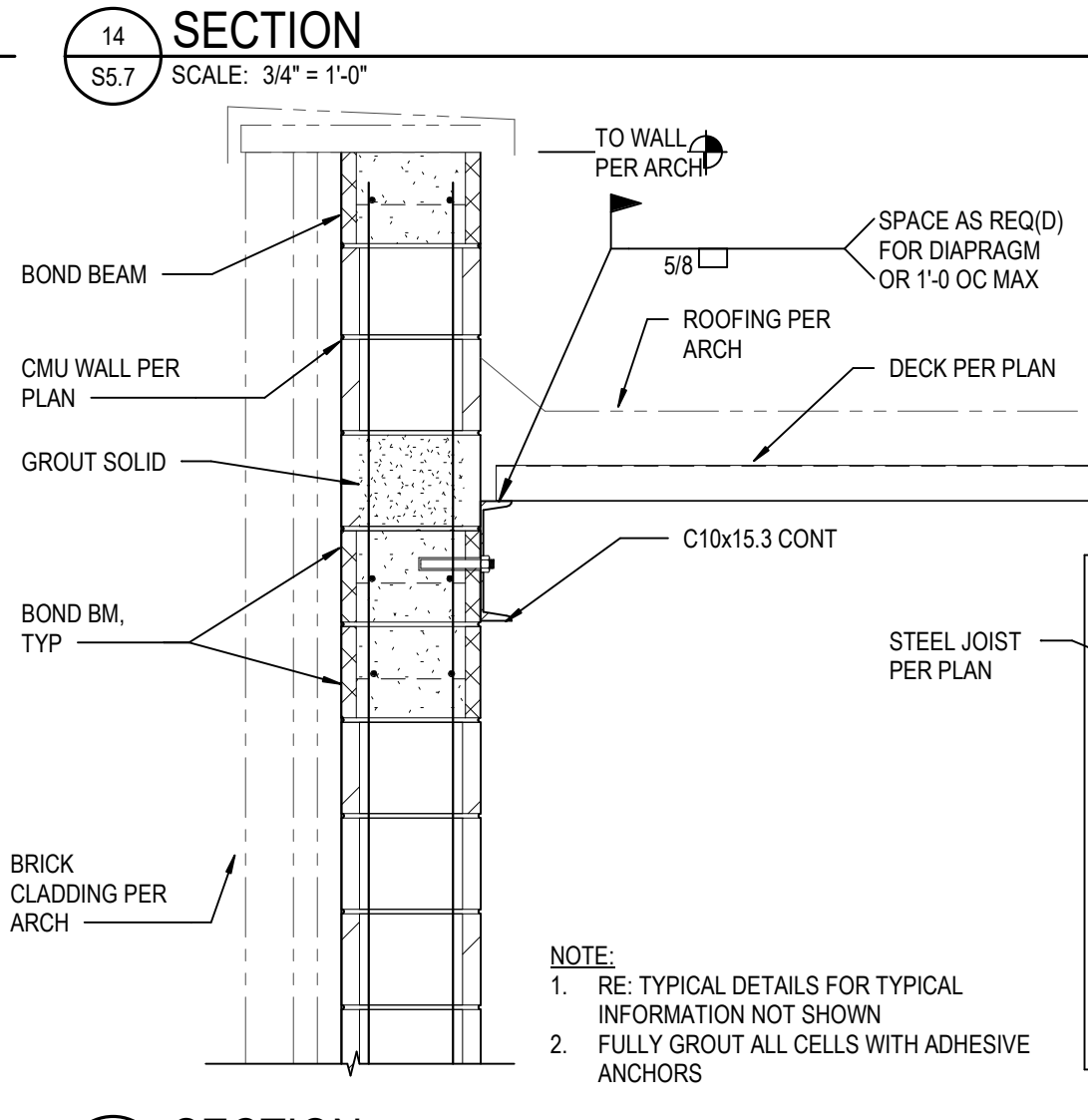
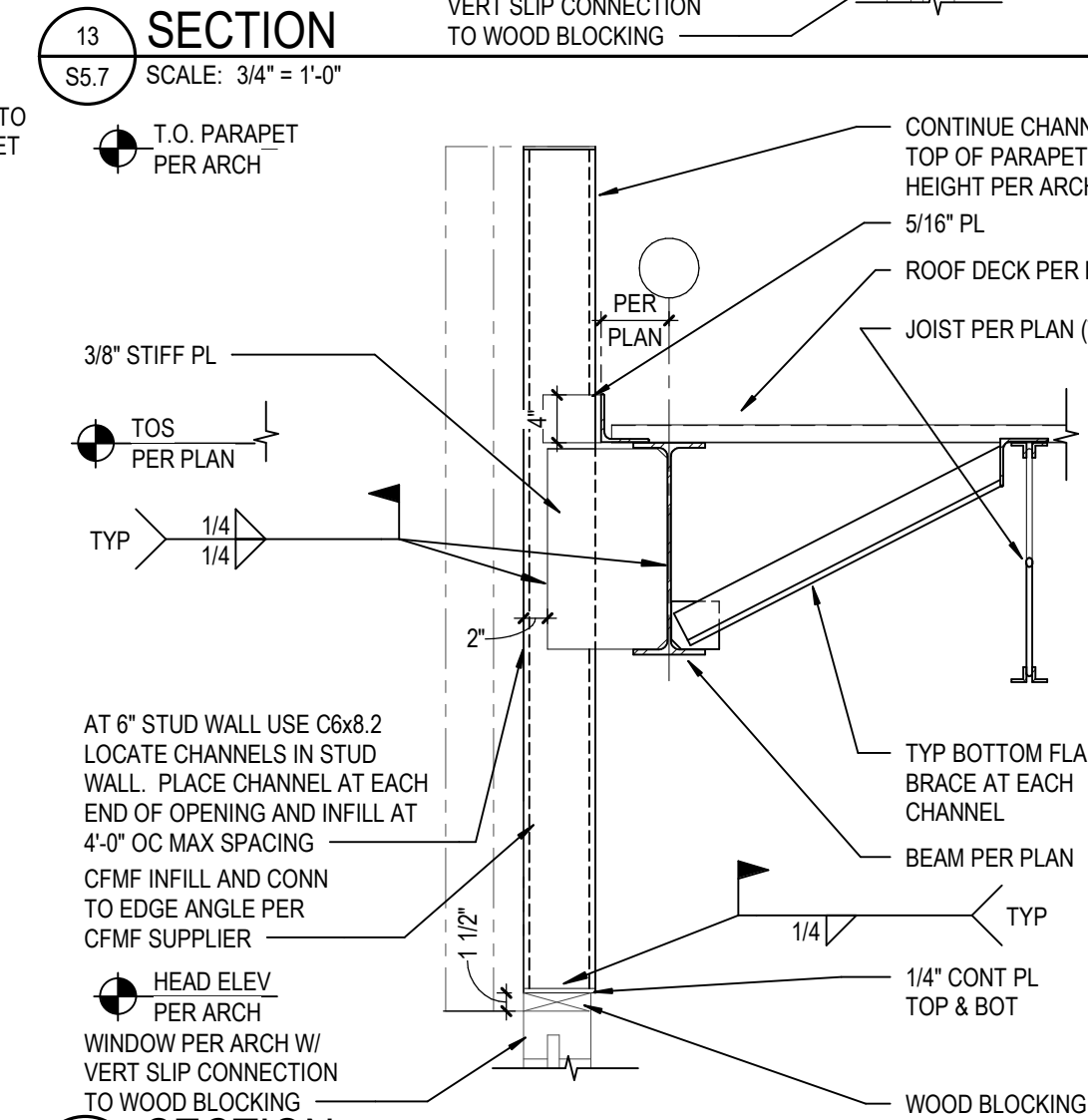
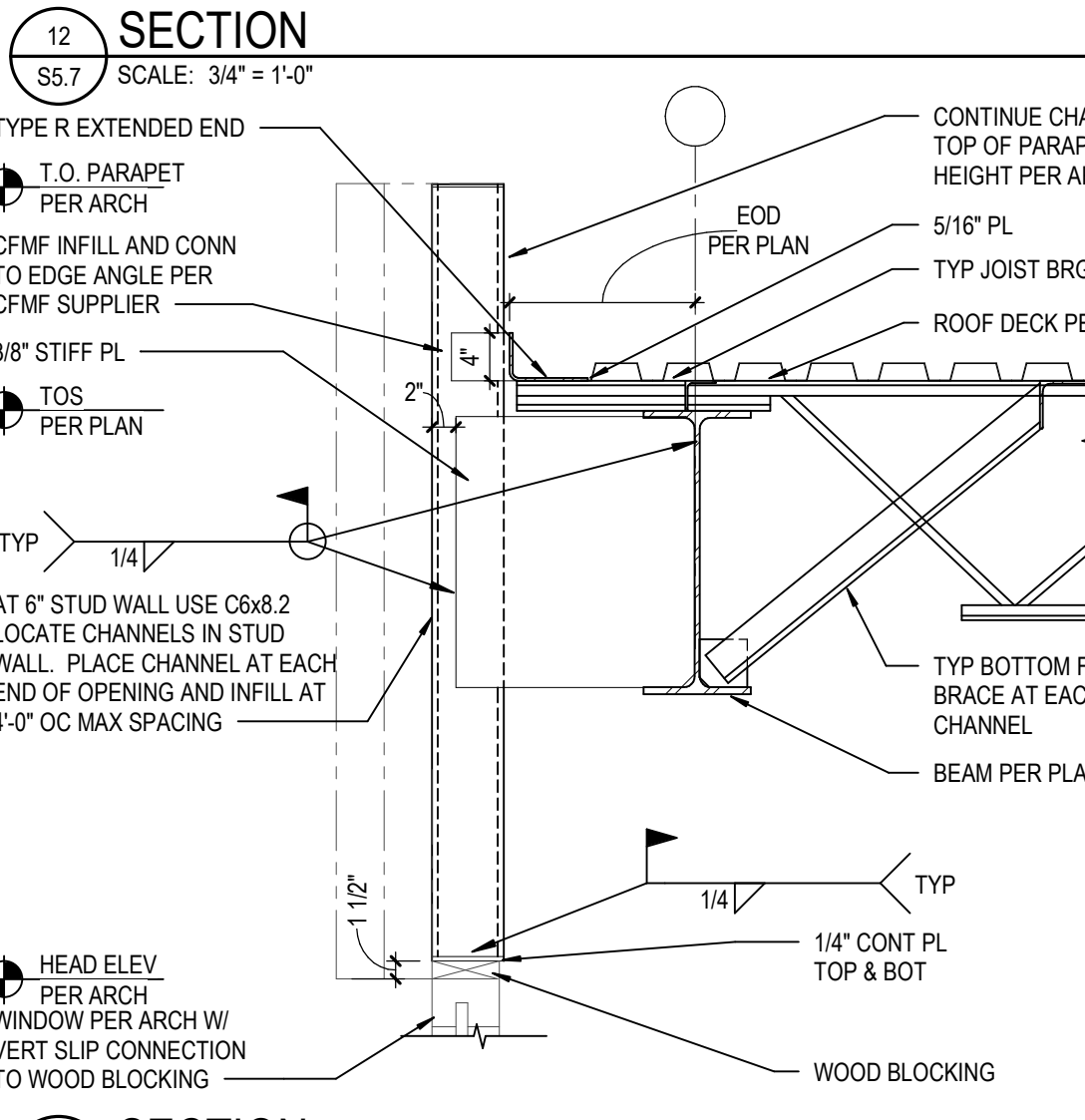
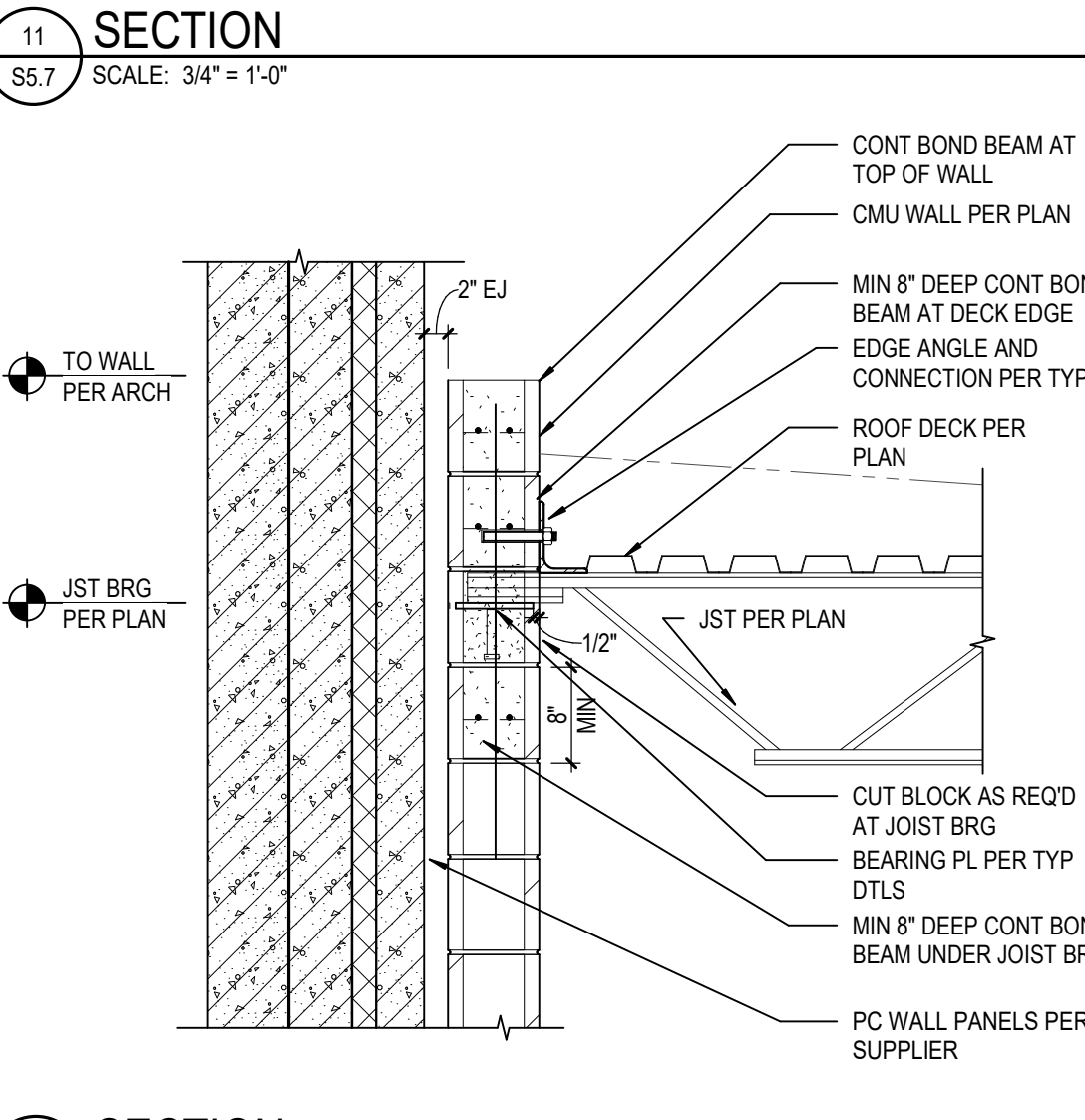
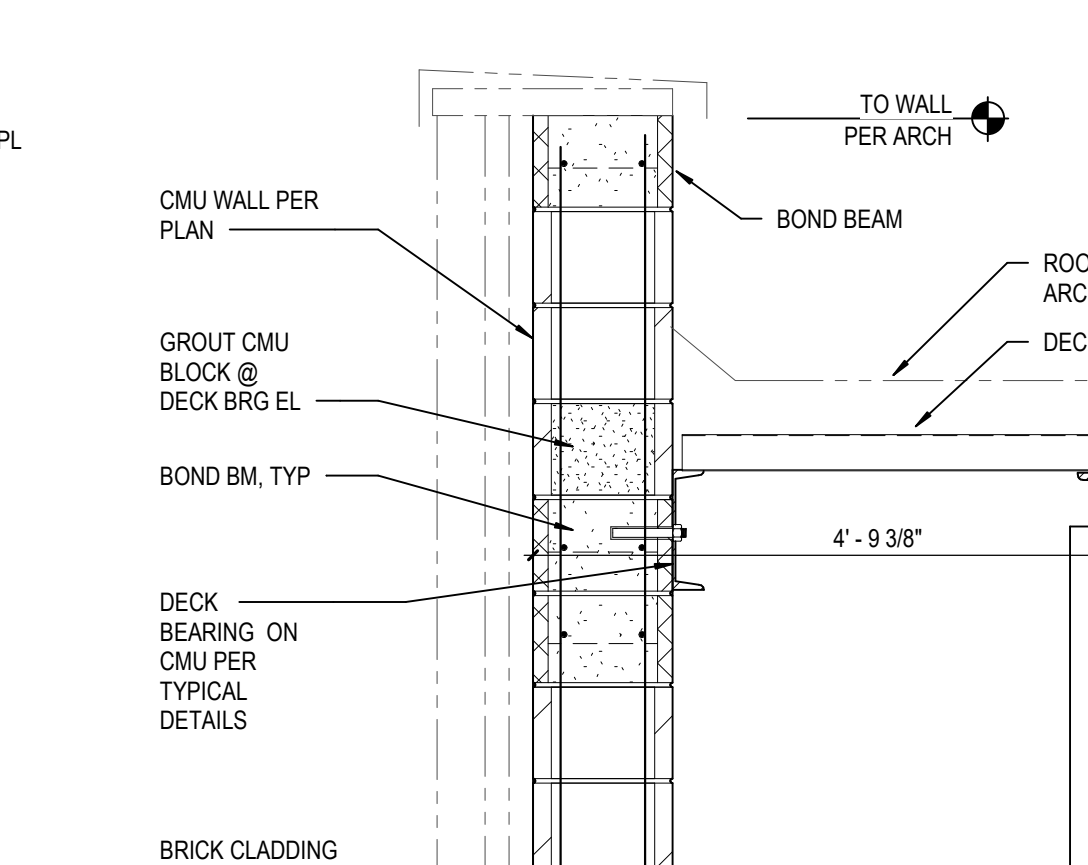
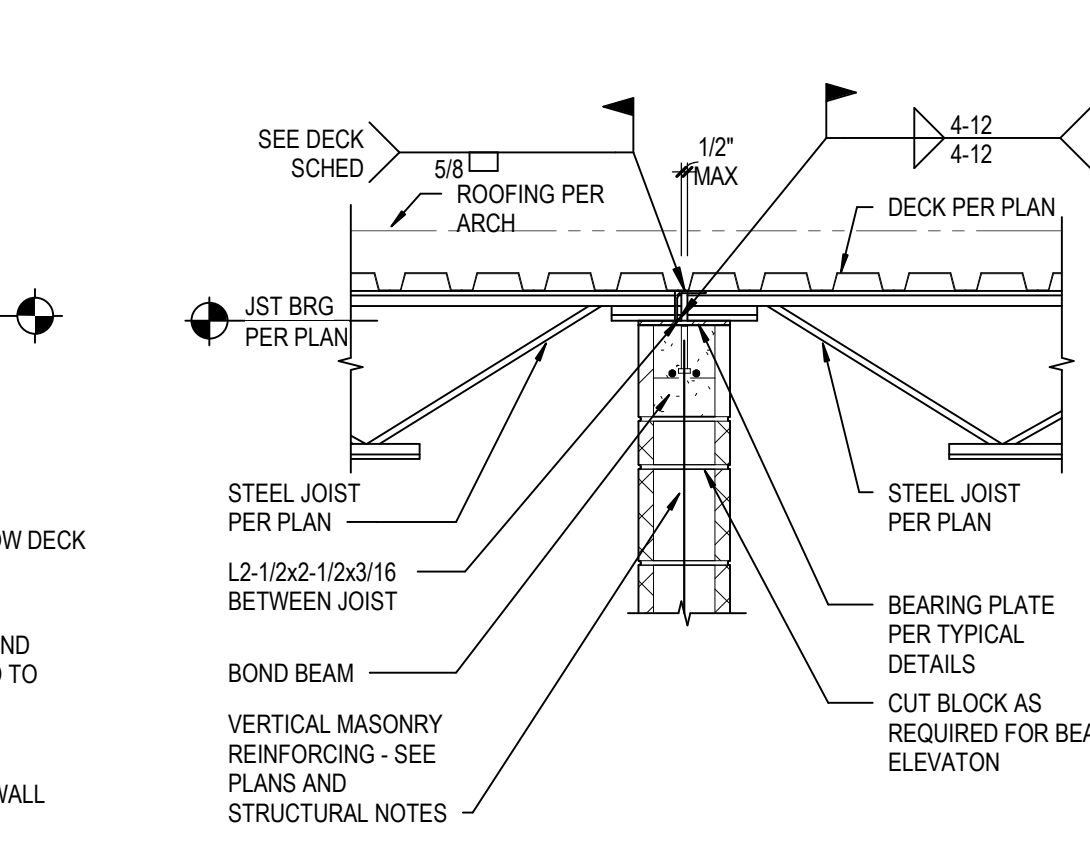
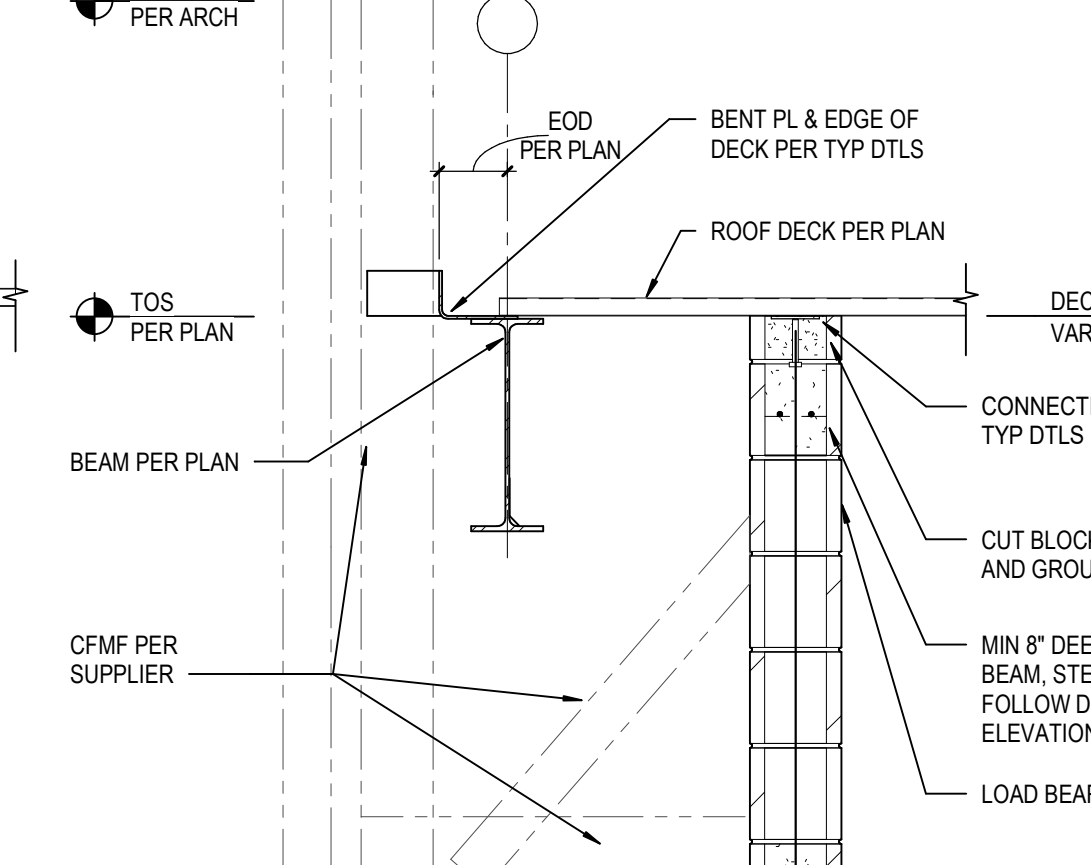
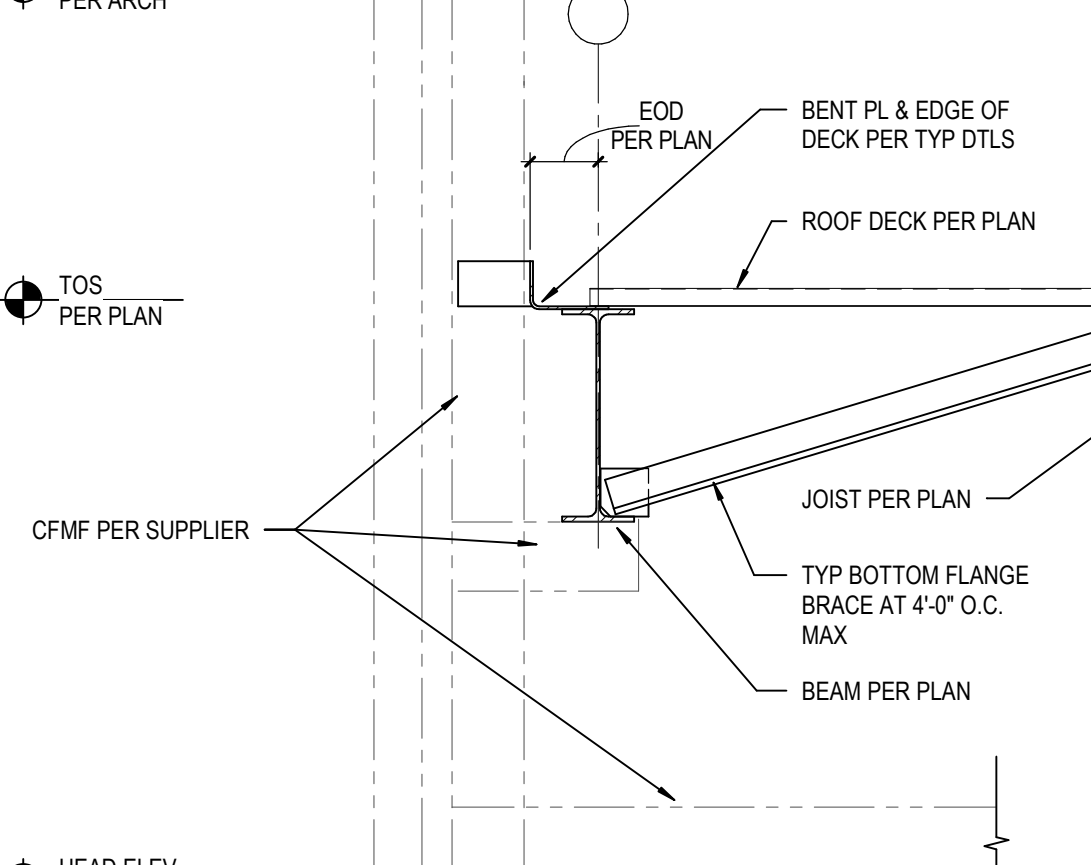
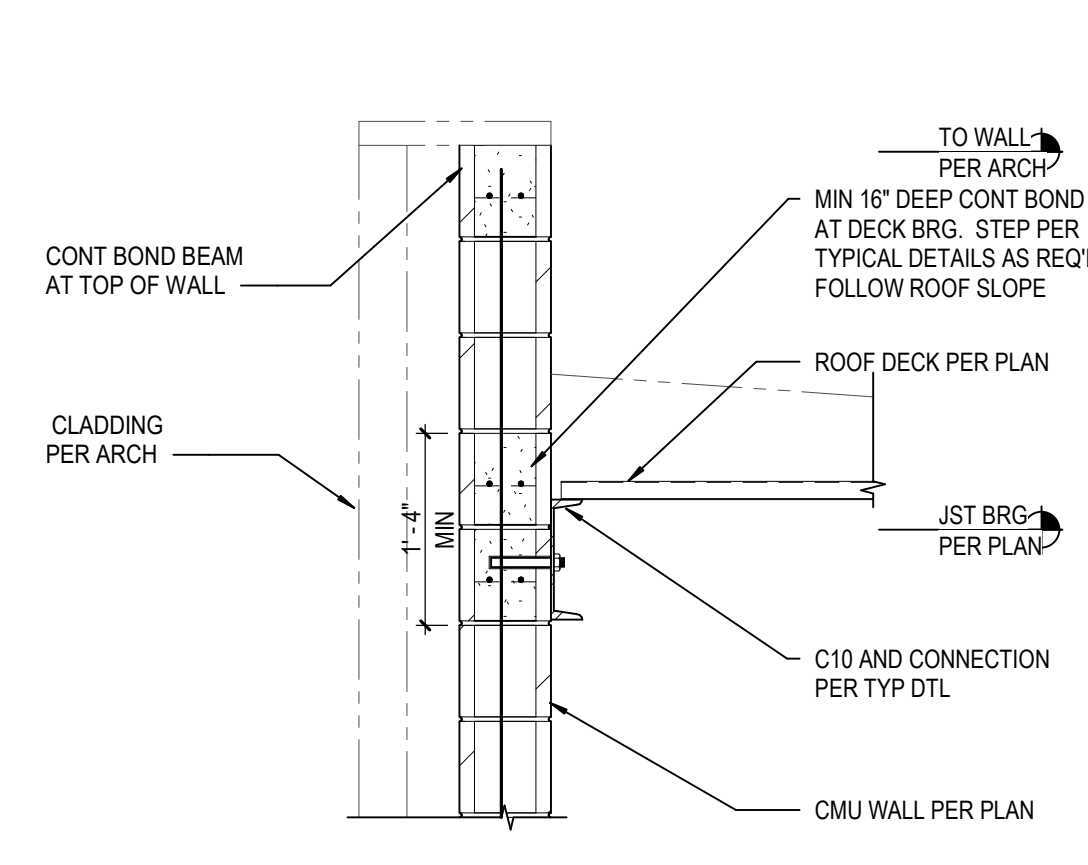
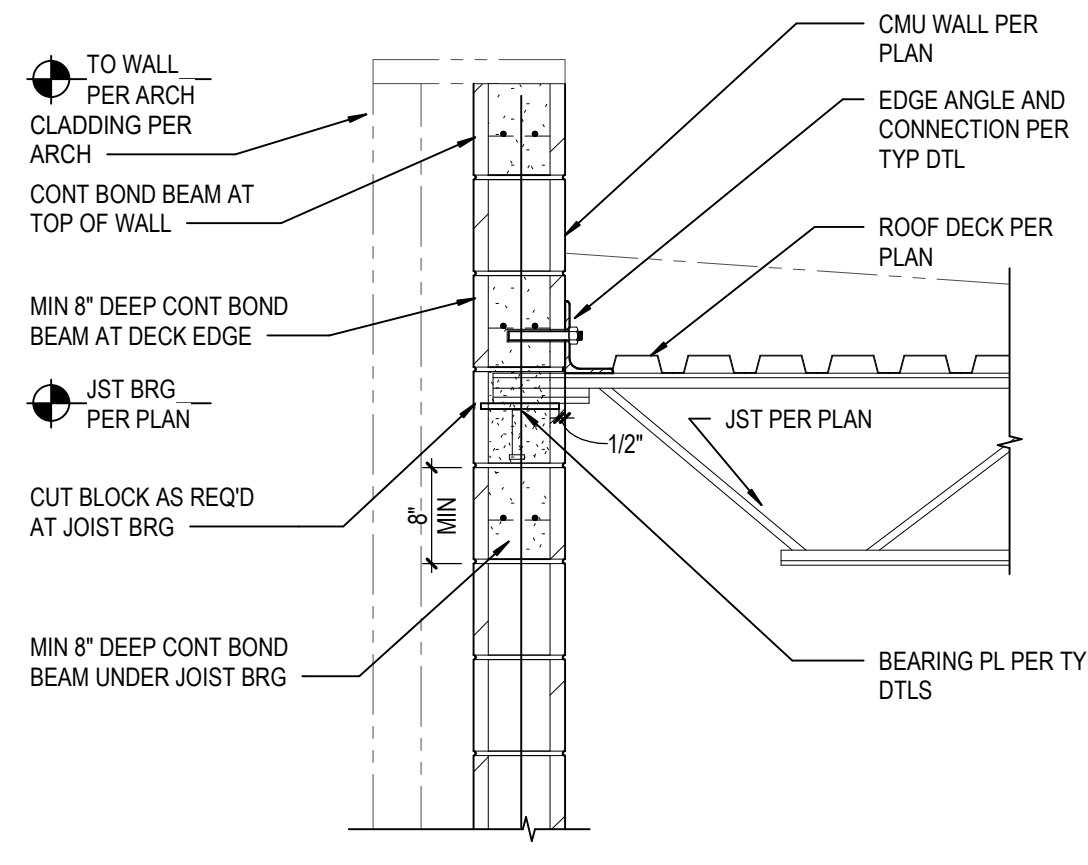
55 TYP CONT STOREFRONT SUPPORT DETAIL @ ROOF
SCALE: 3/4" = 1'-0"



B:\360\13-20102-00\Lee's Summit Middle School\413-20102-00_Lee's Summit Middle School - S5_2020.rvt
10/7/2020 4:38:07 PM

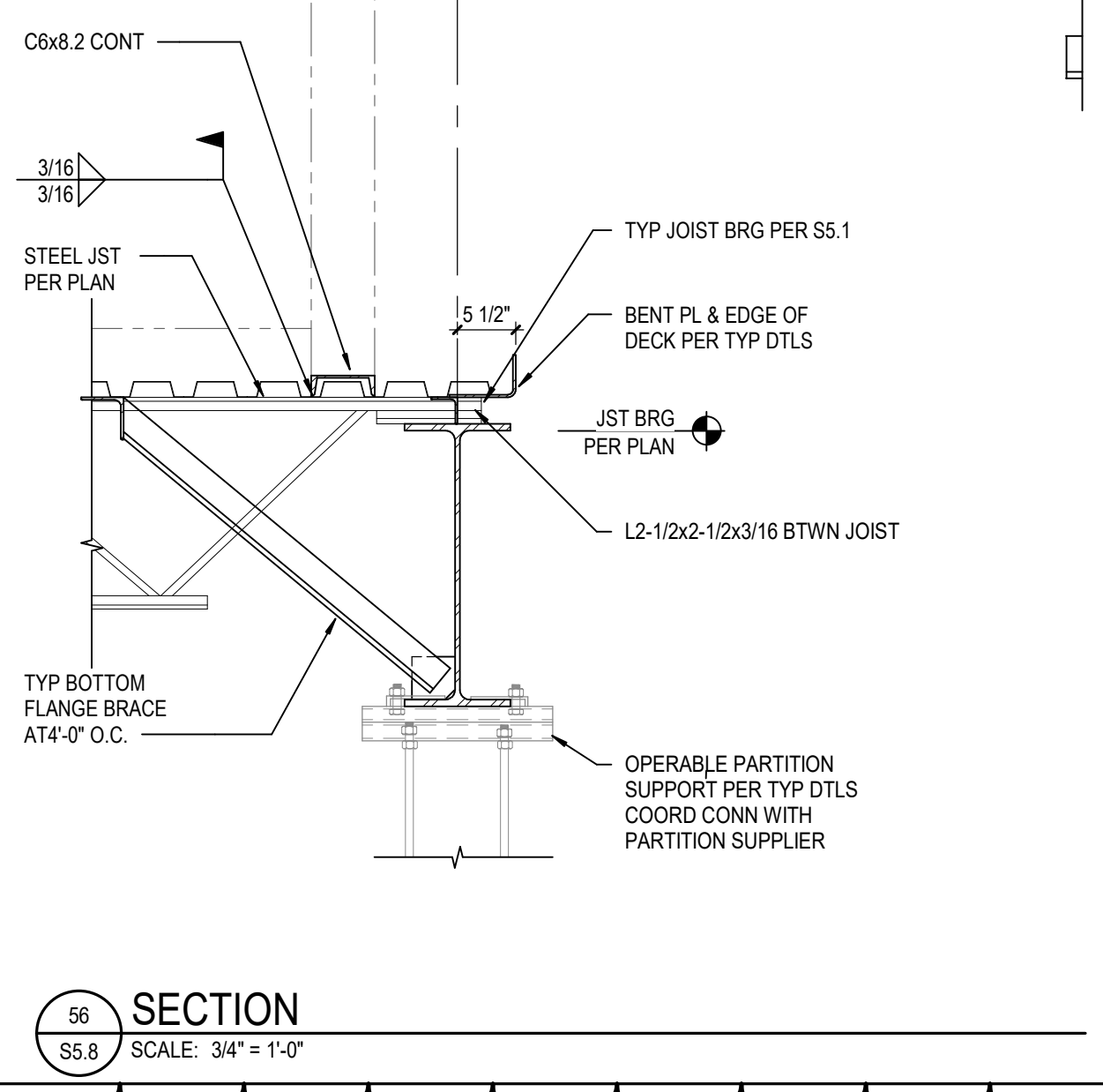
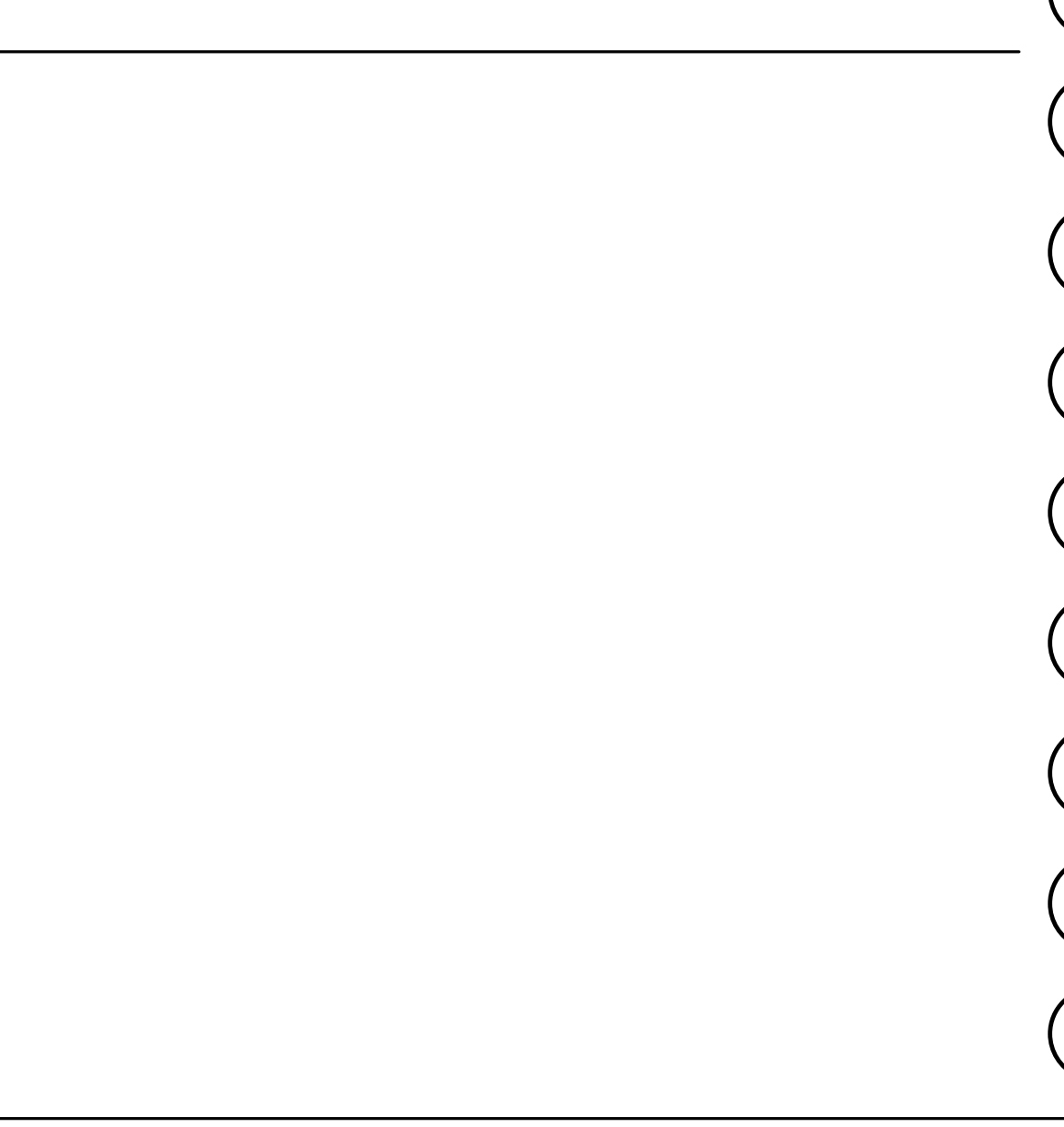
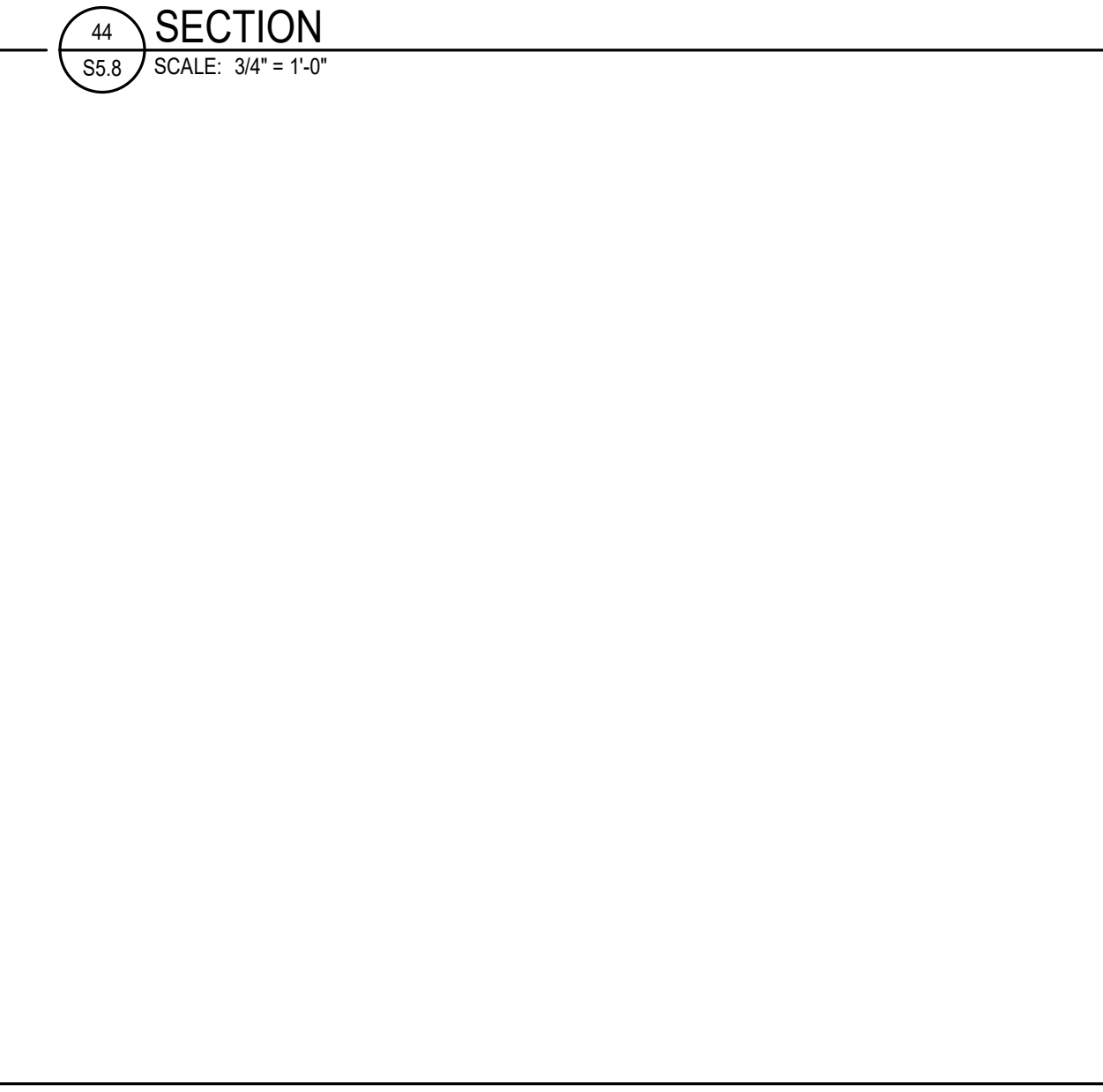
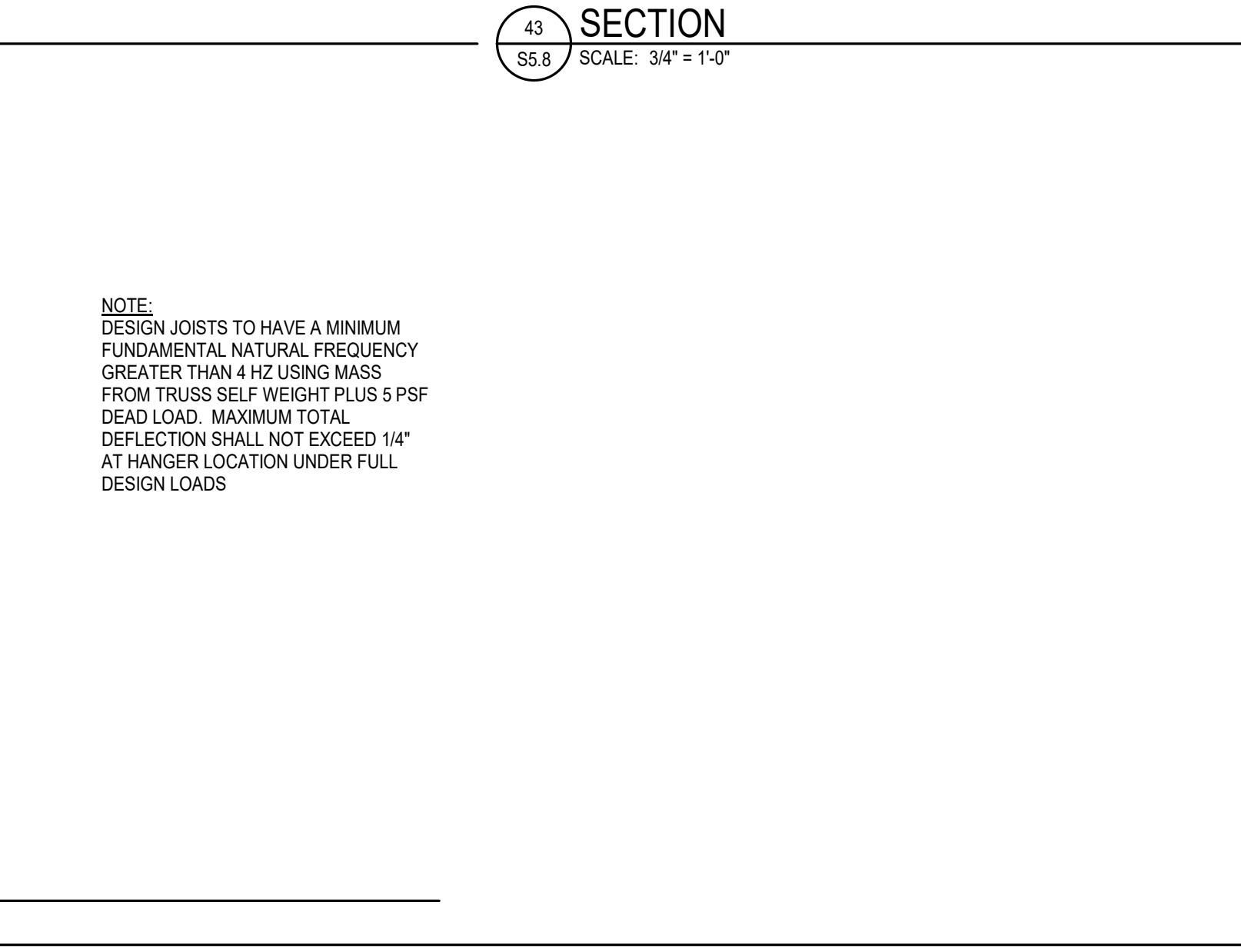
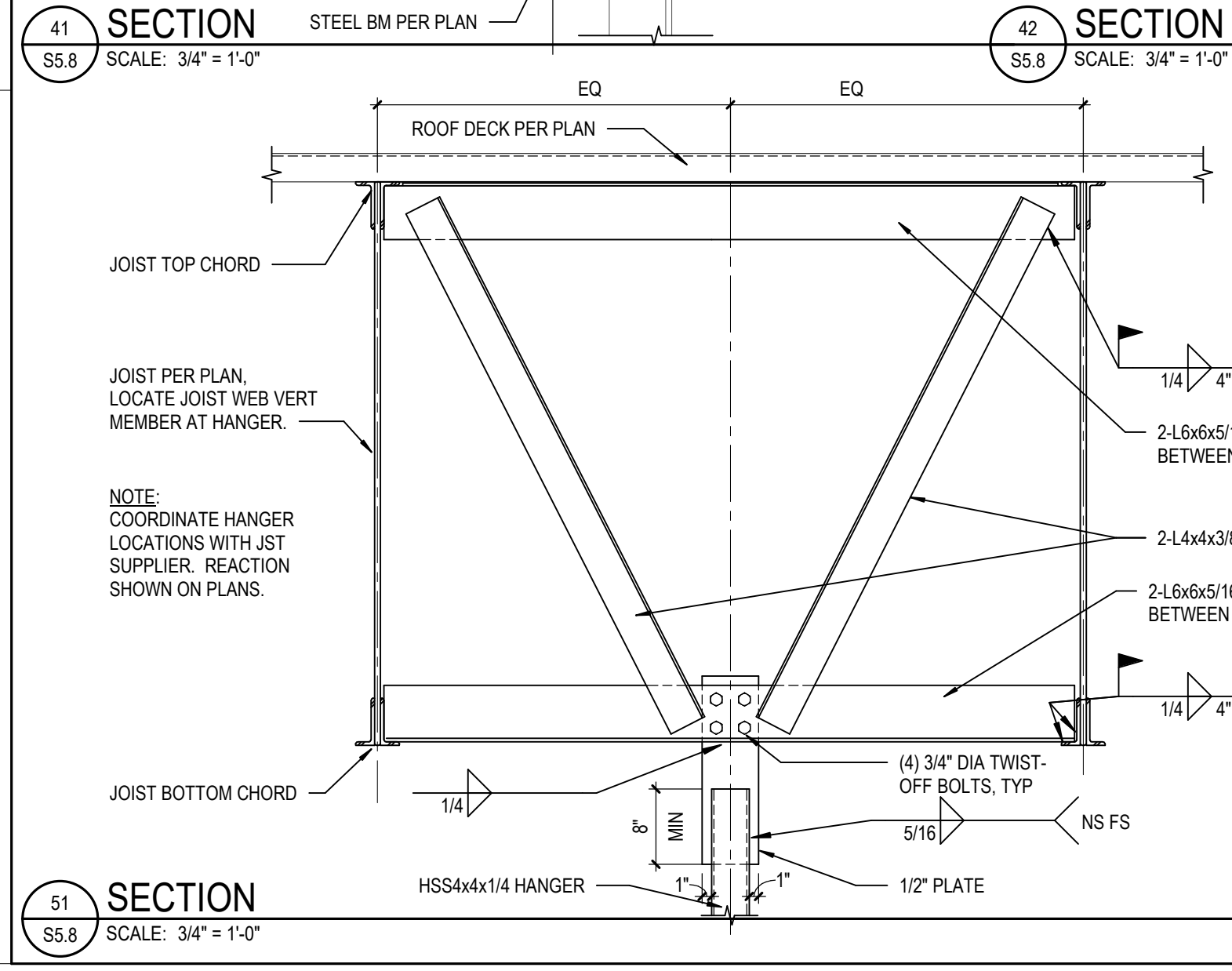
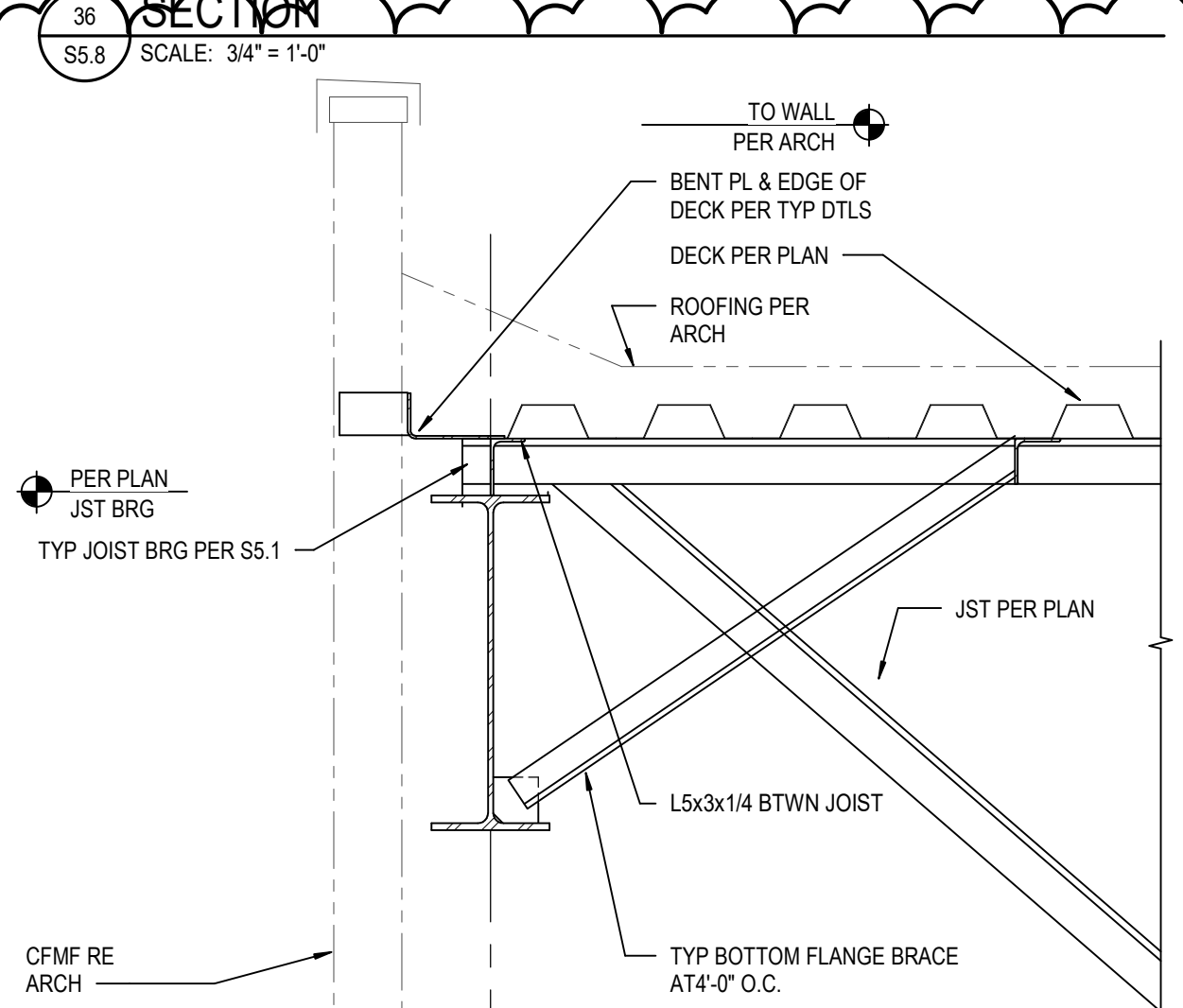
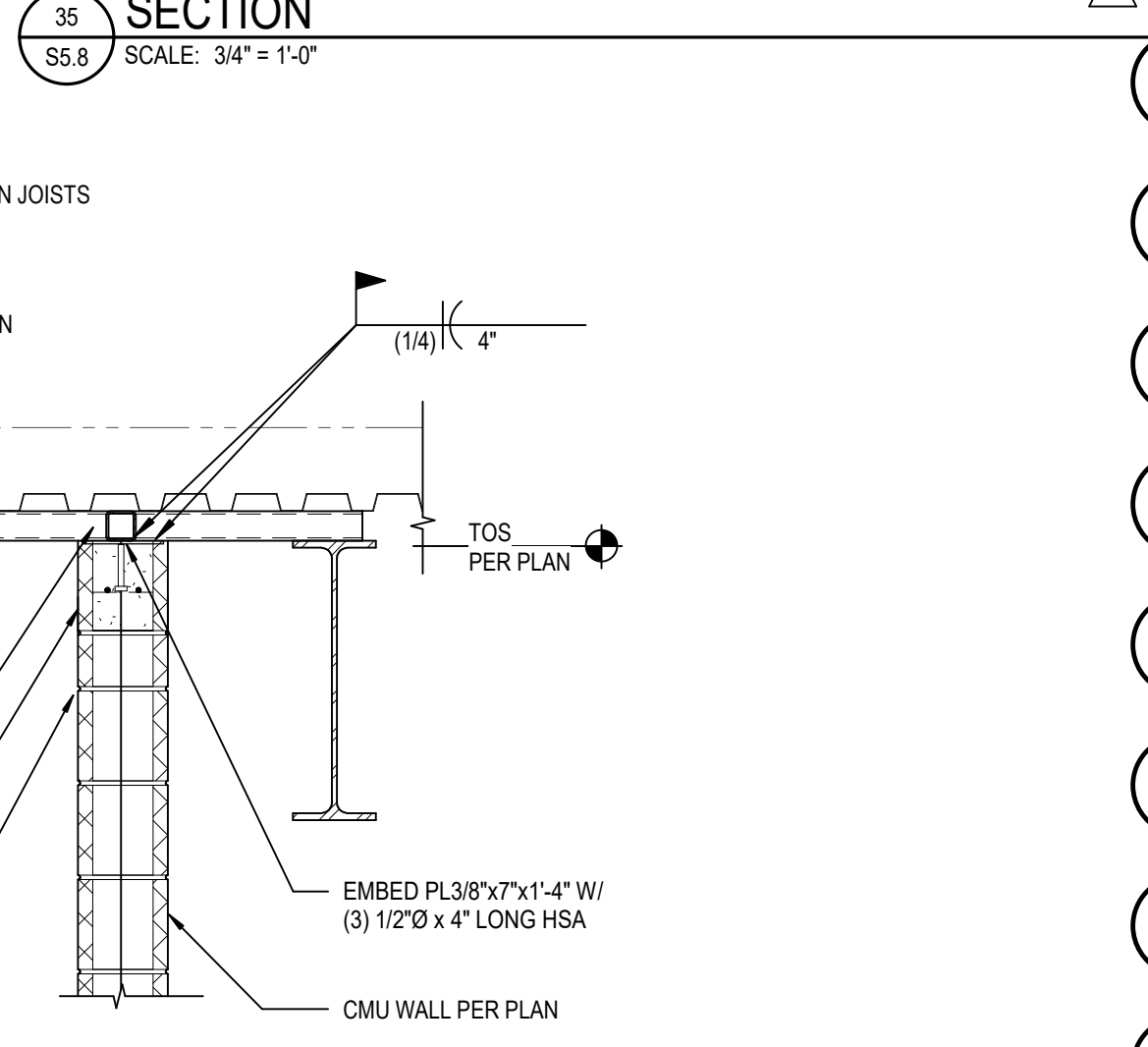
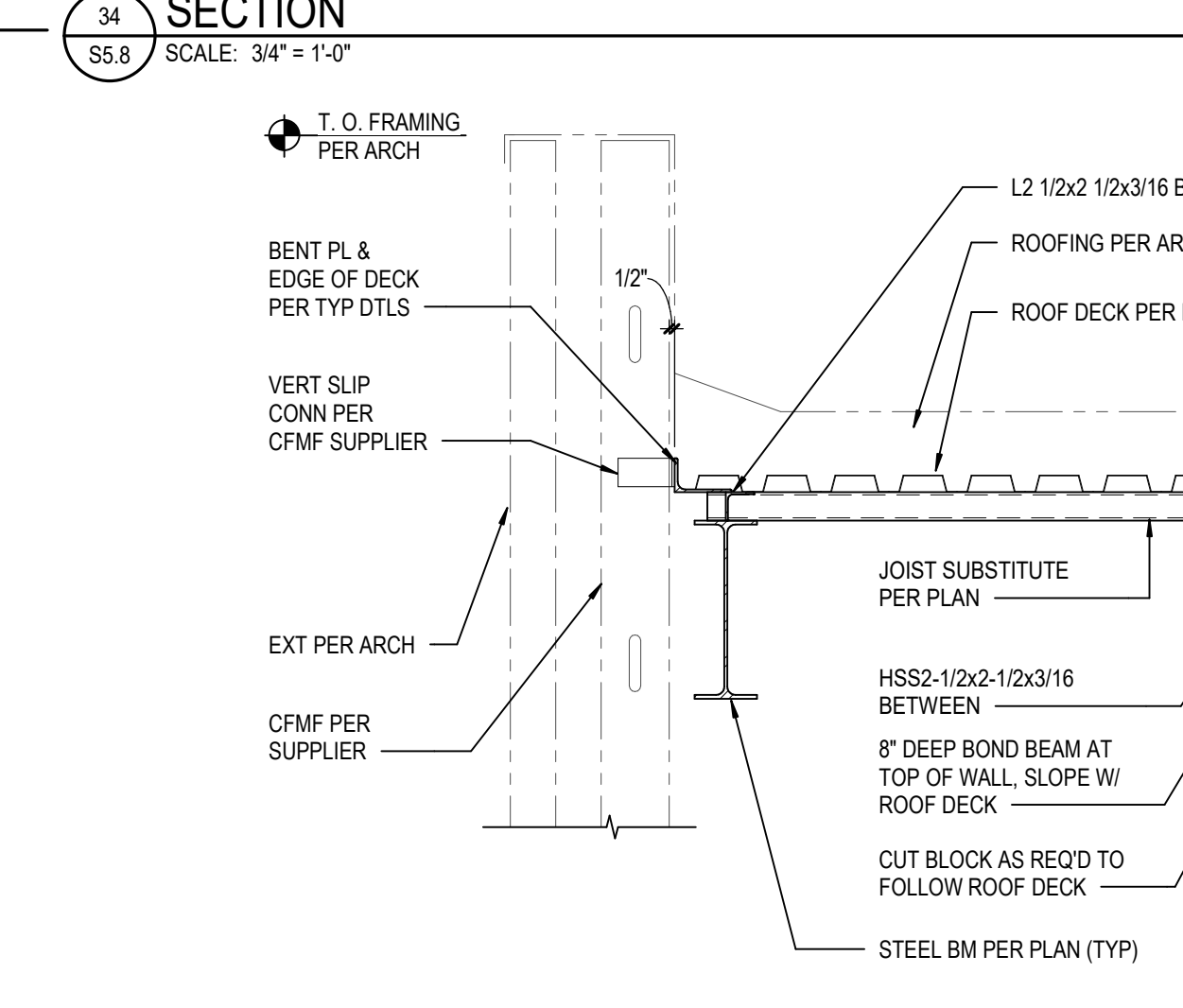
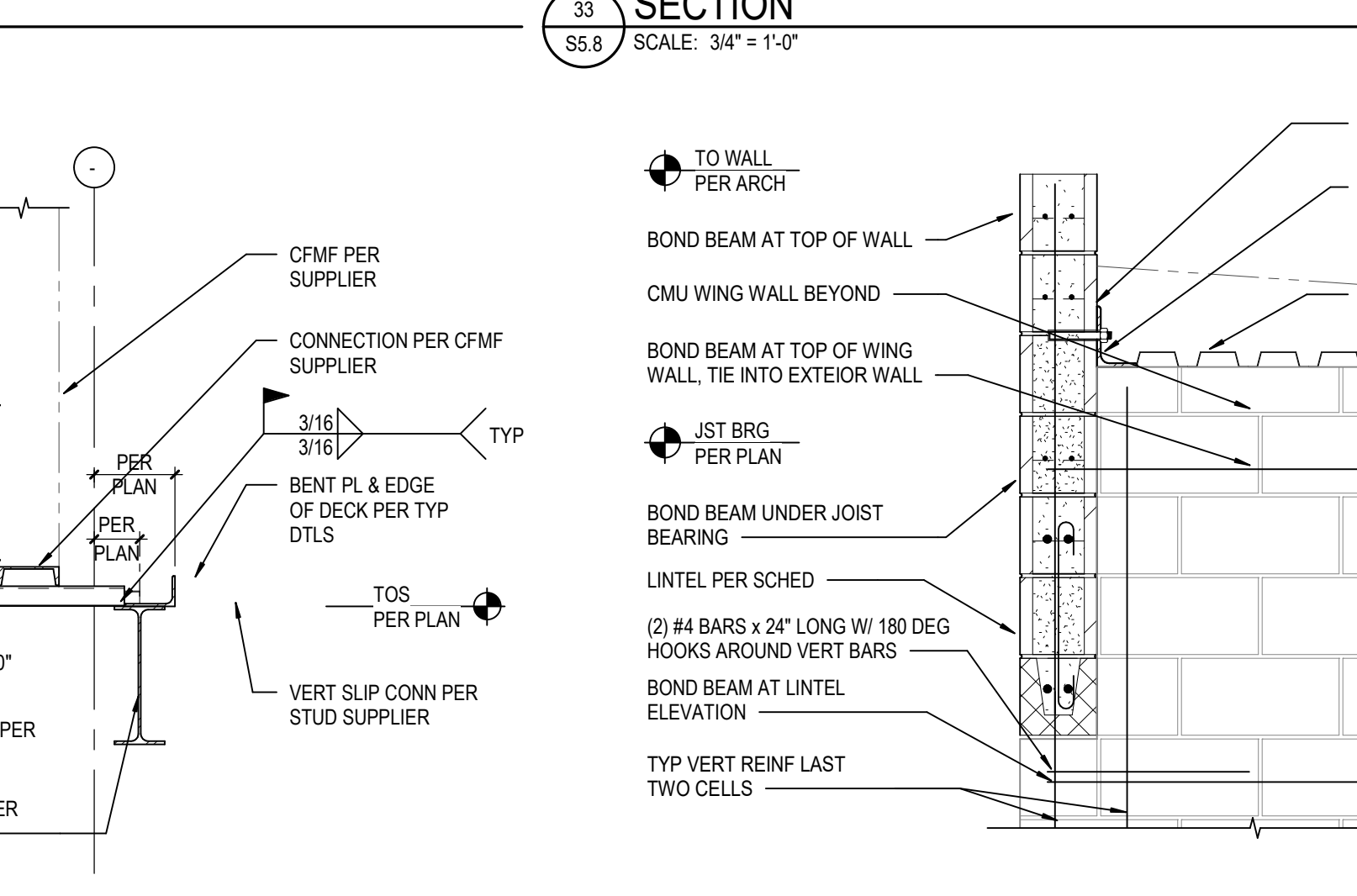
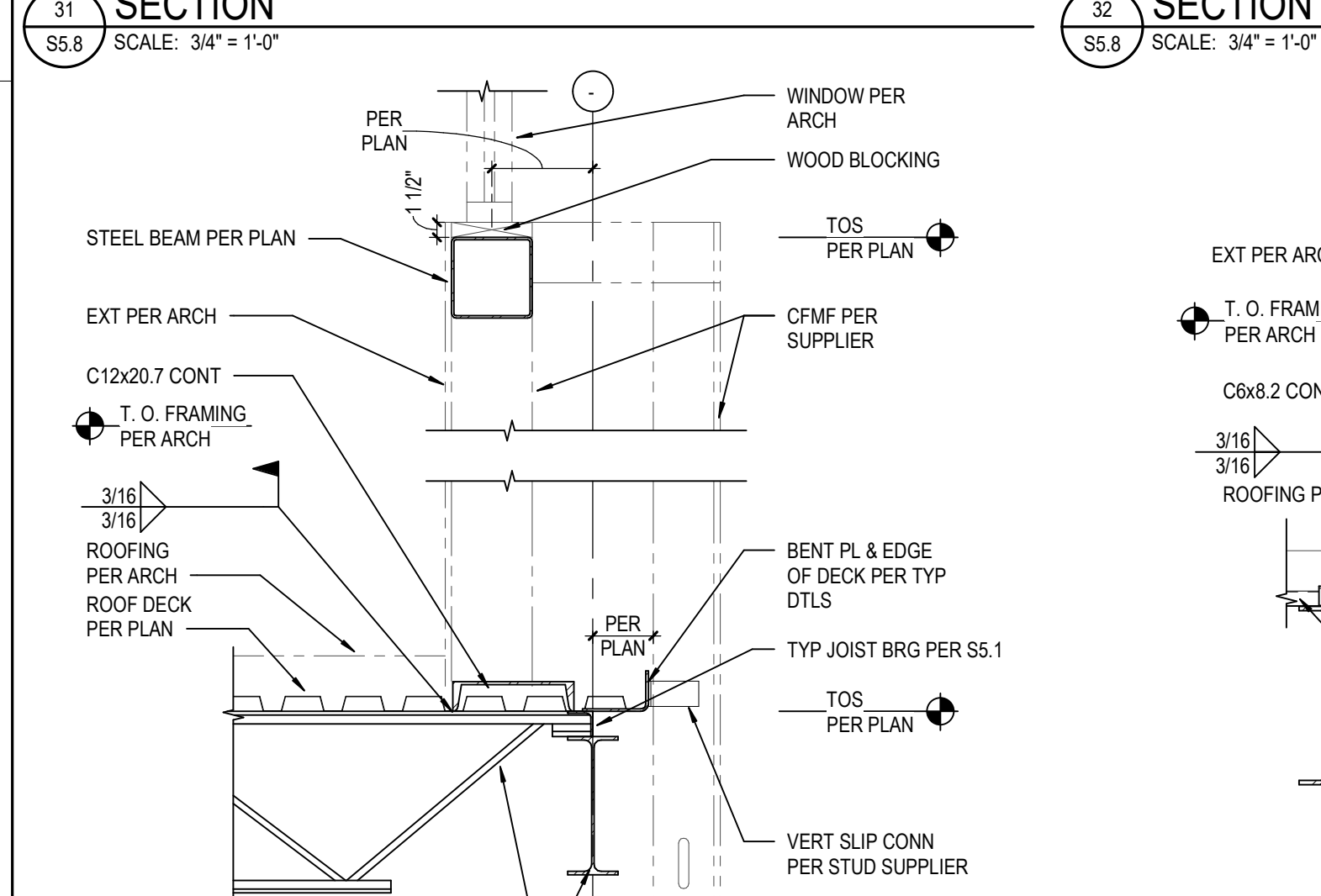
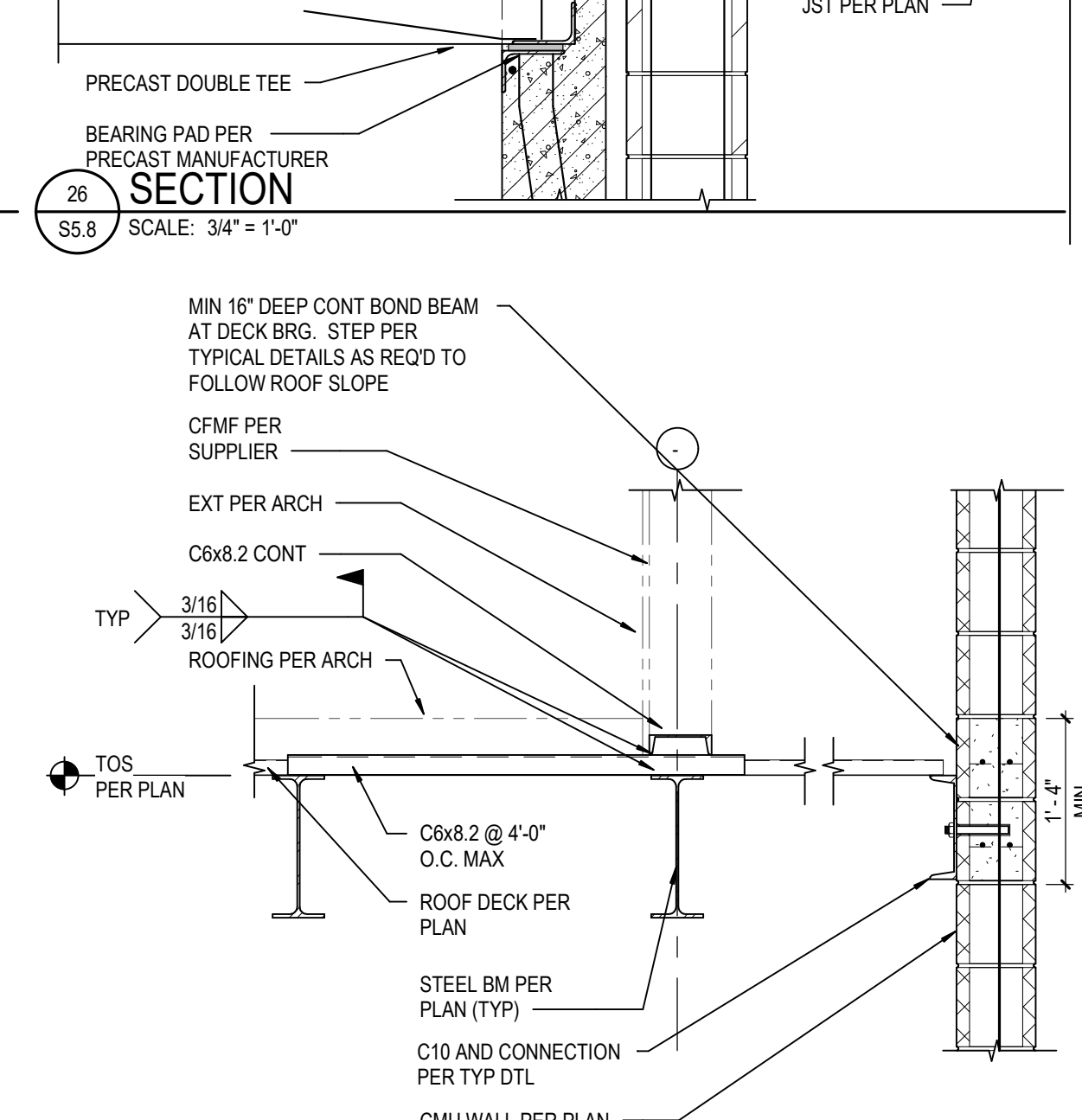
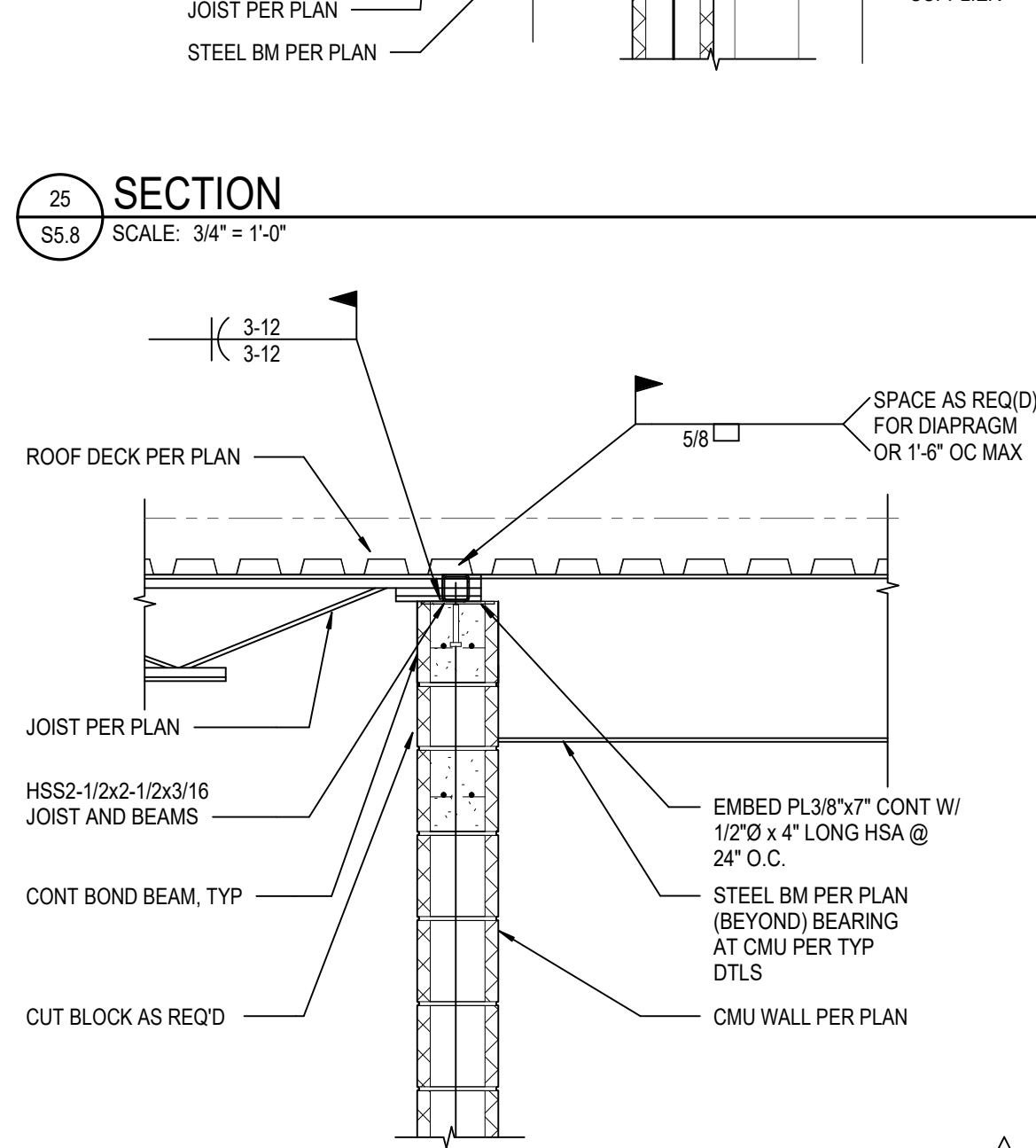
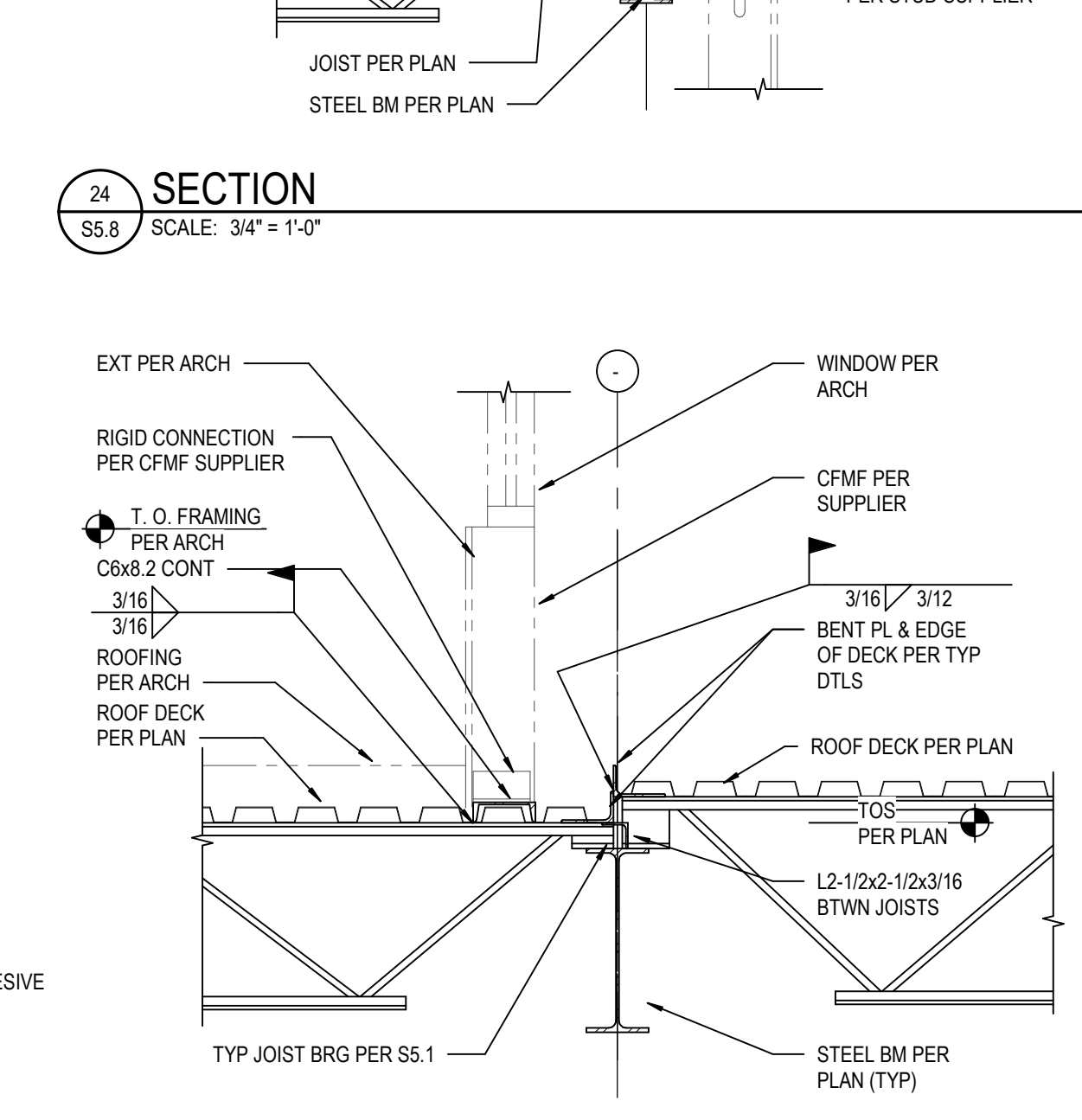
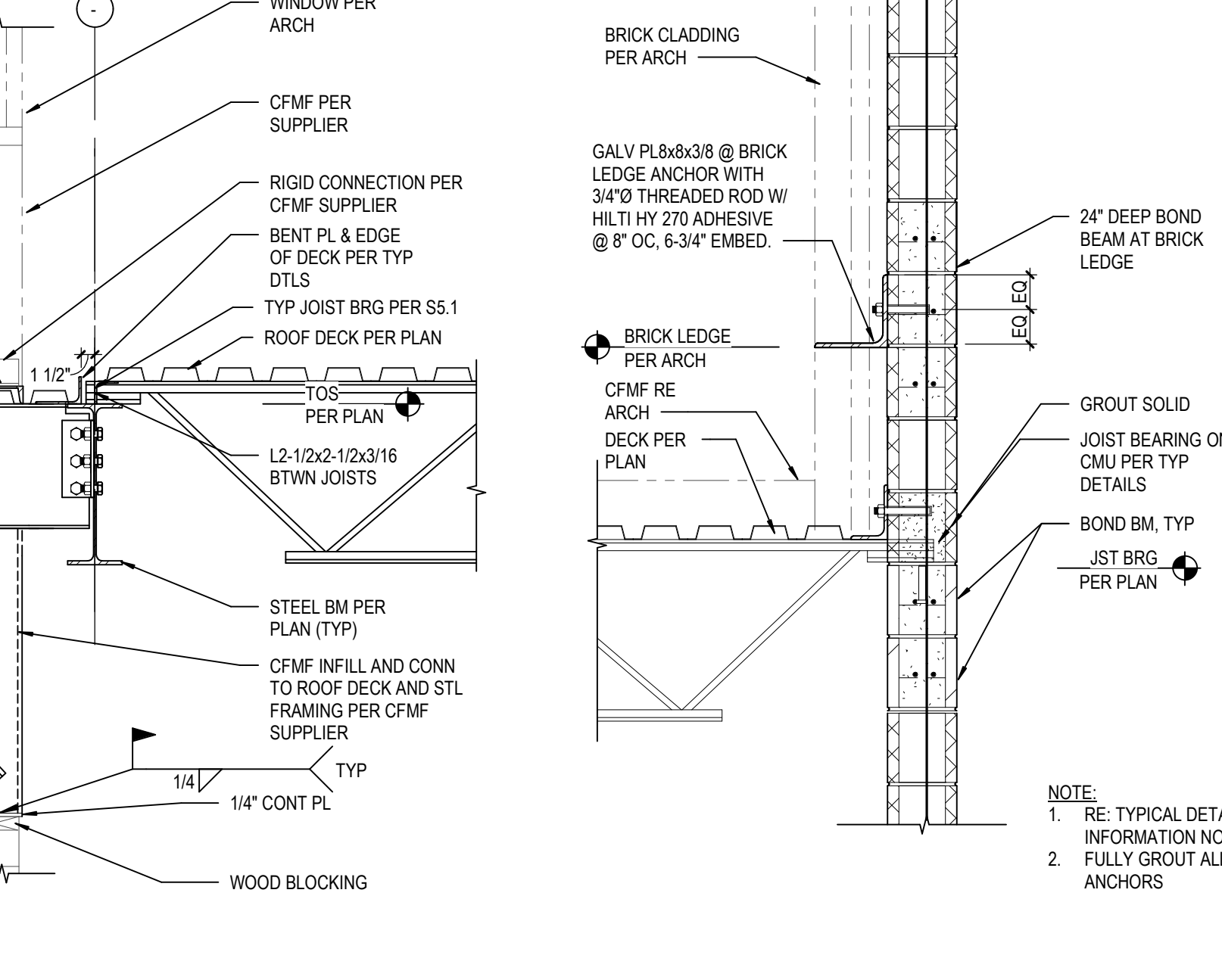
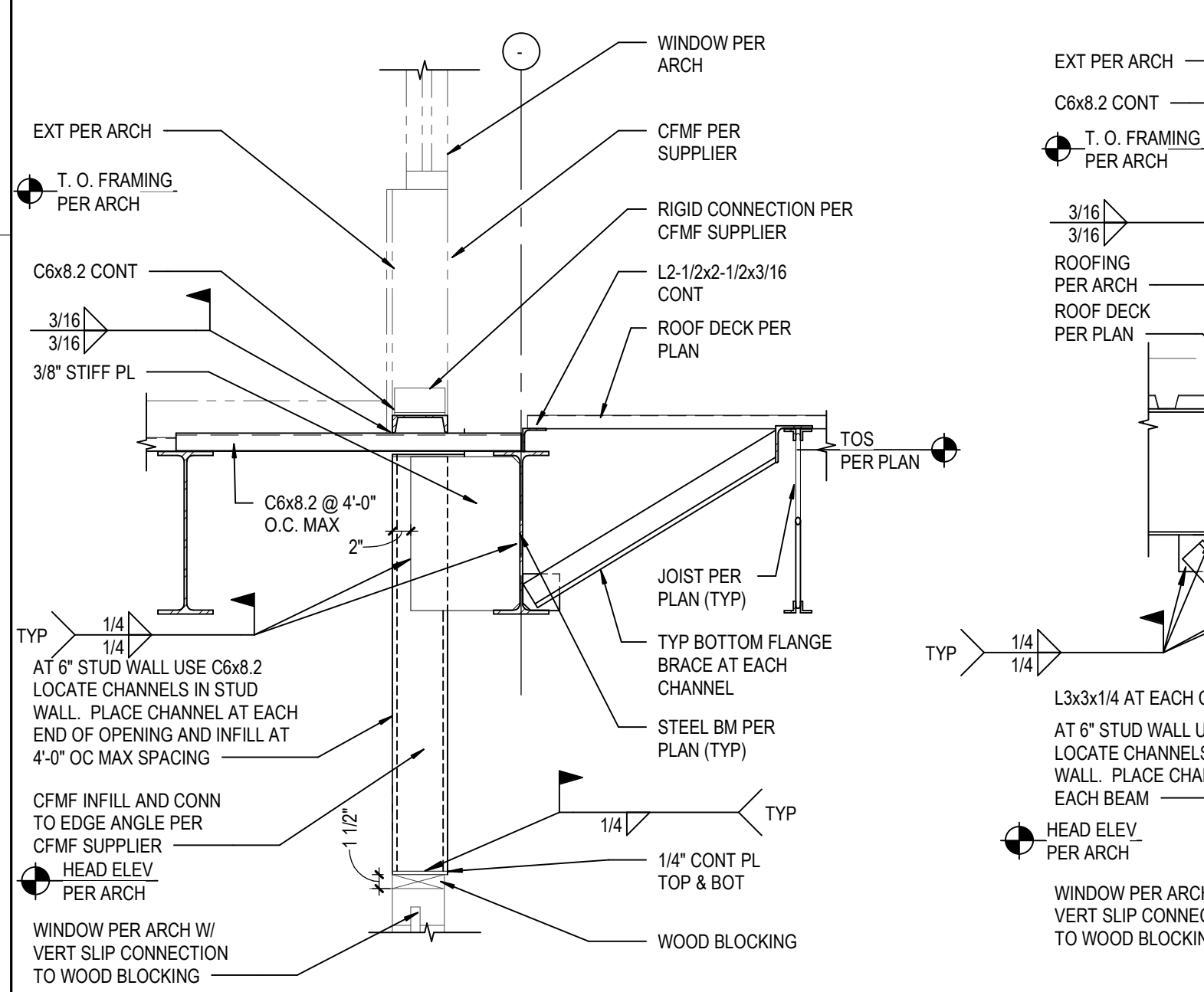
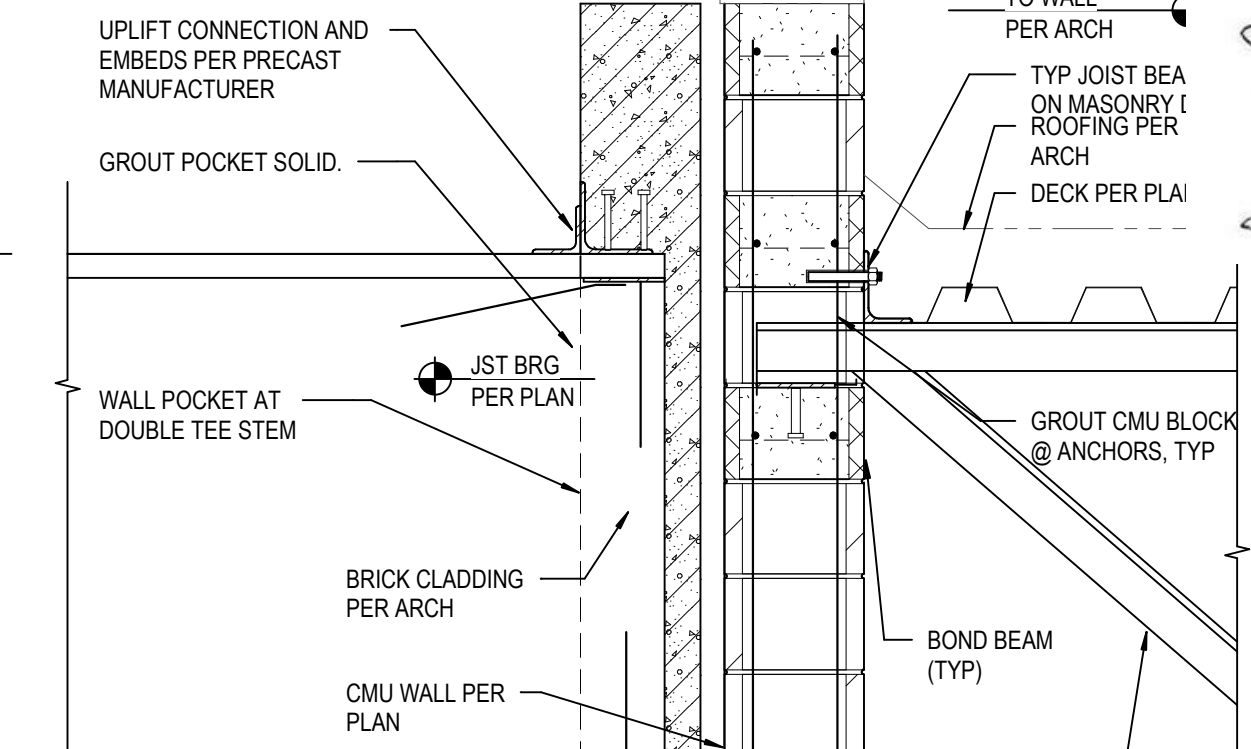
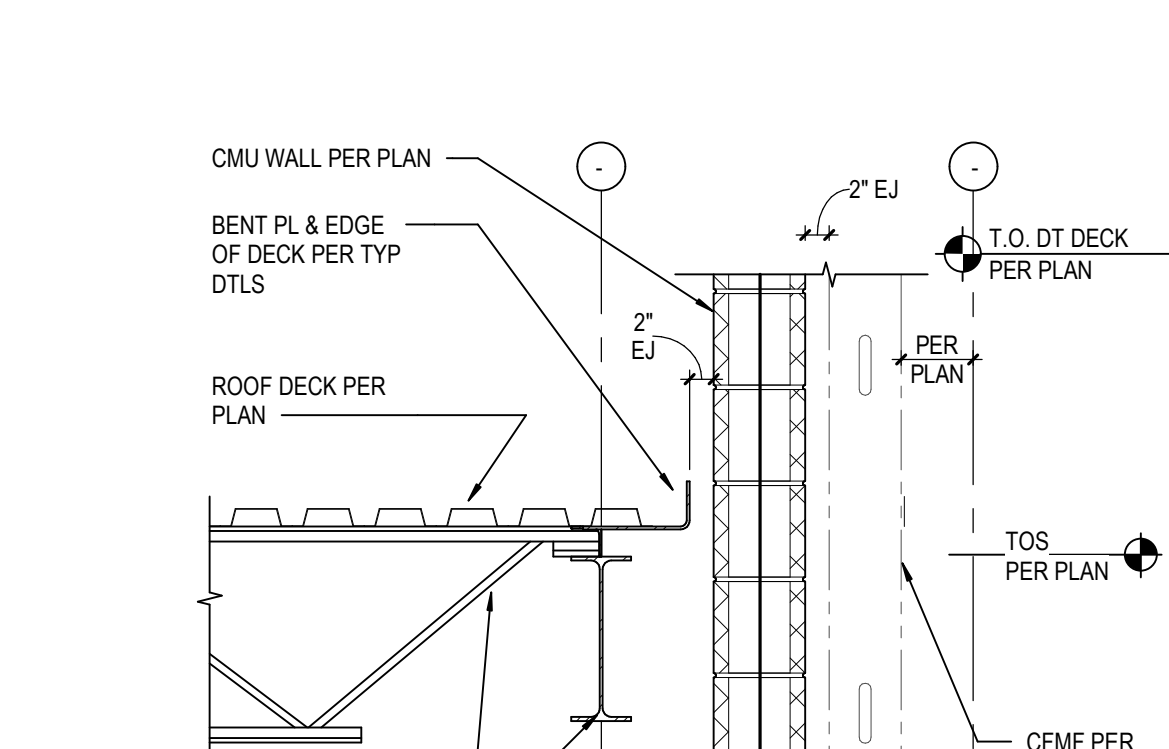
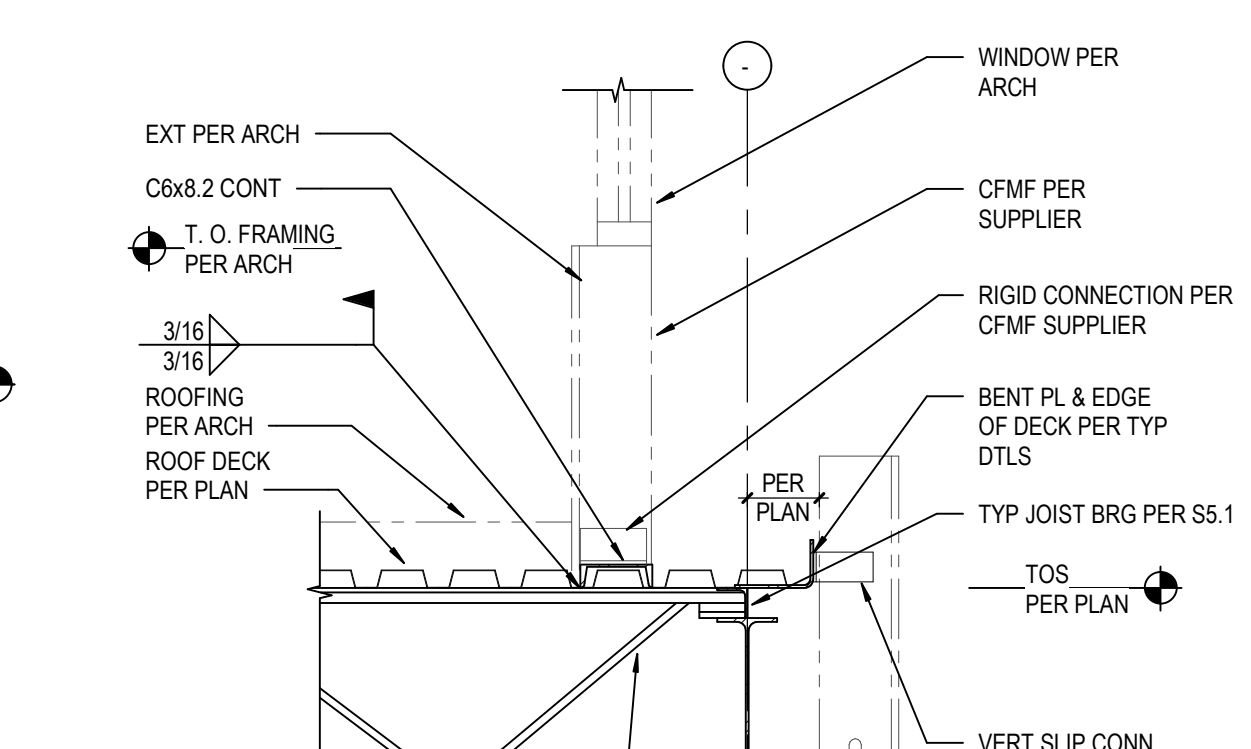
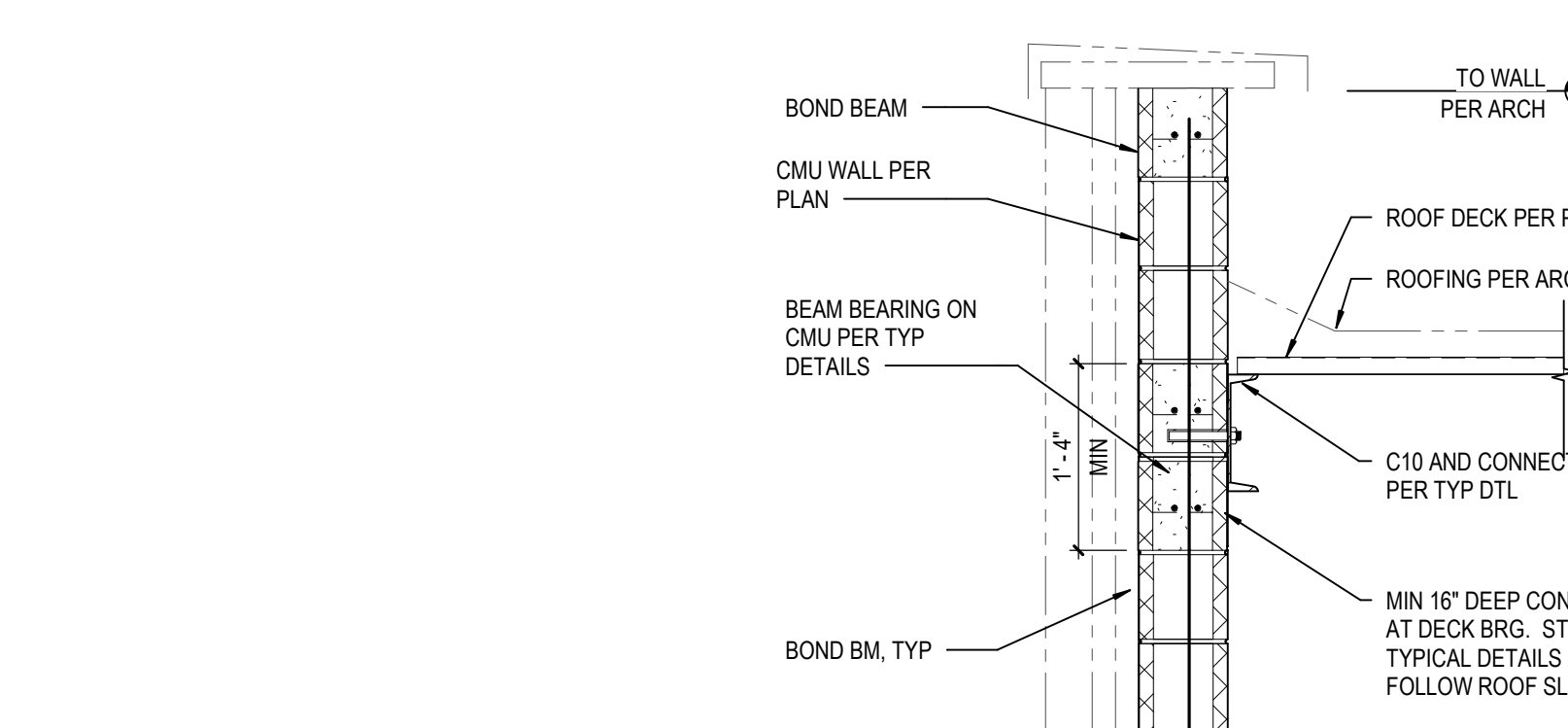
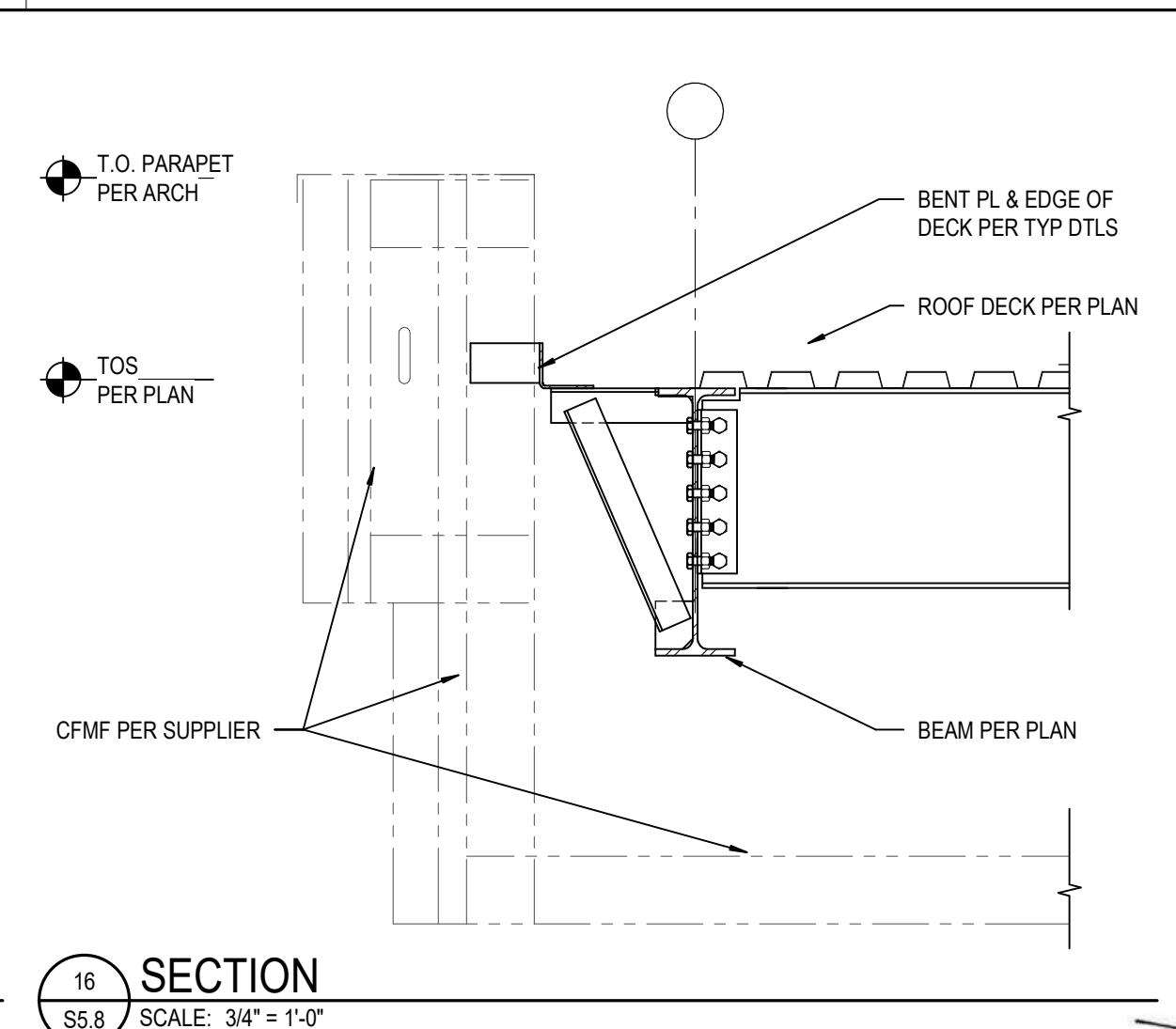
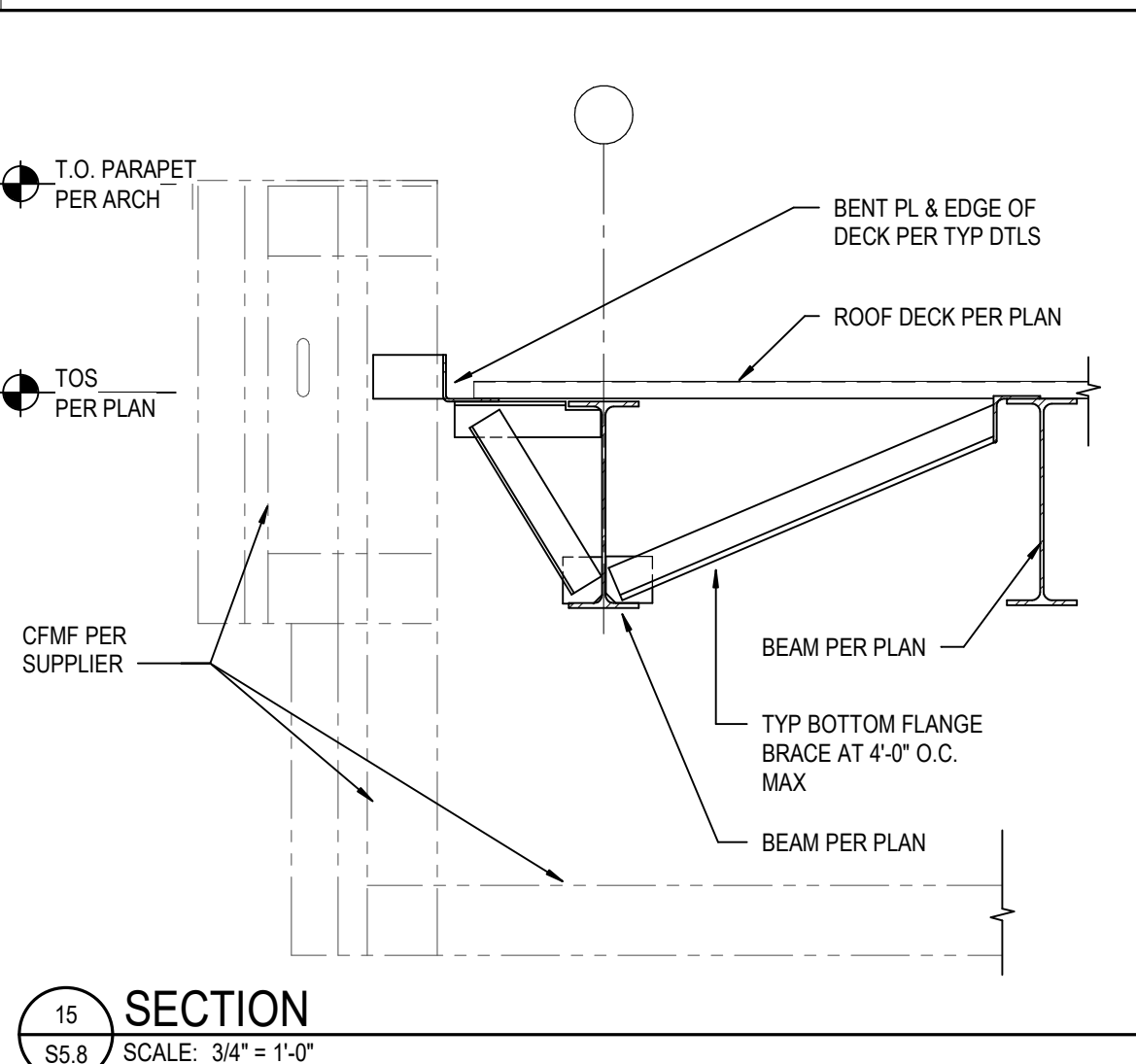
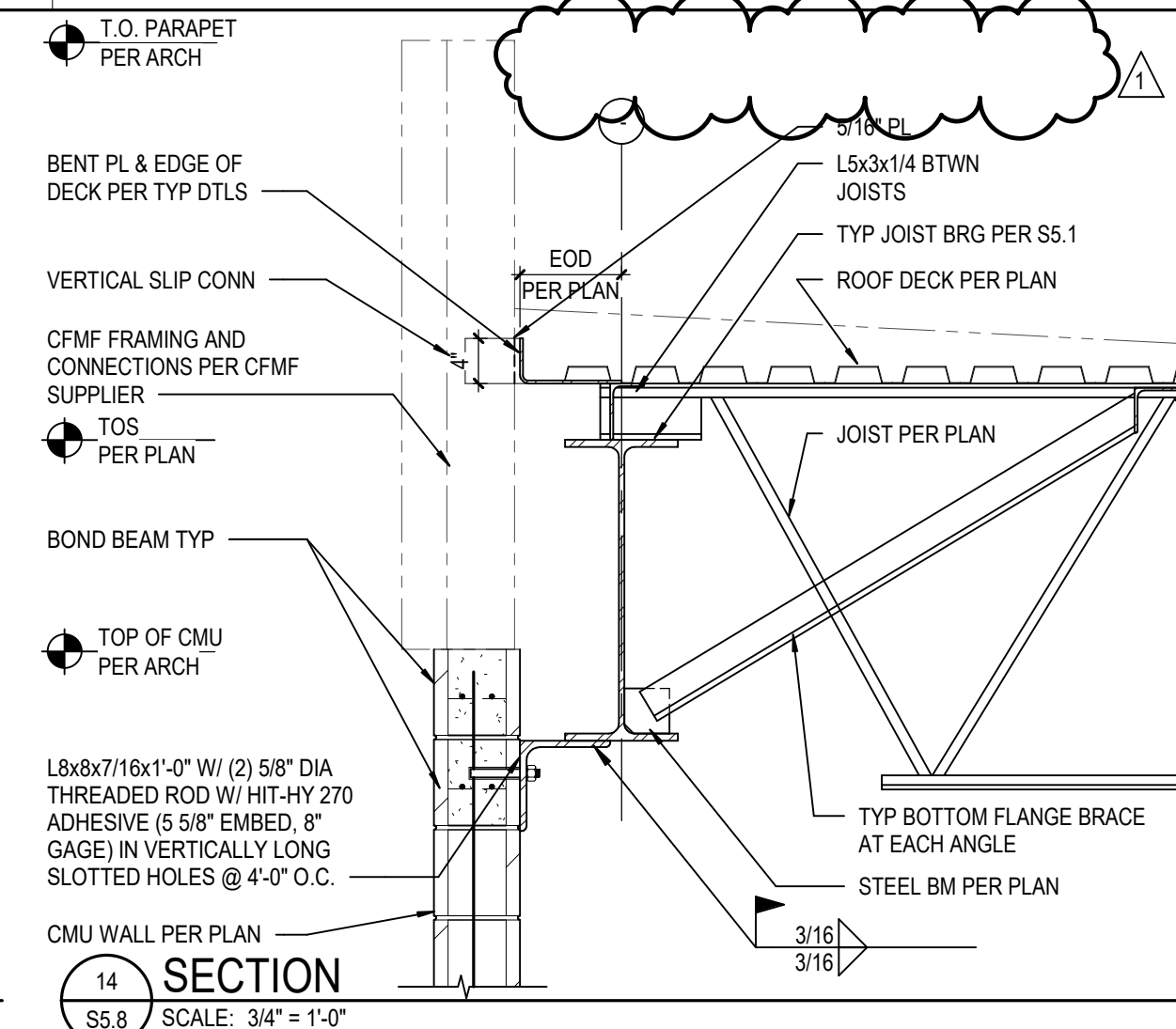
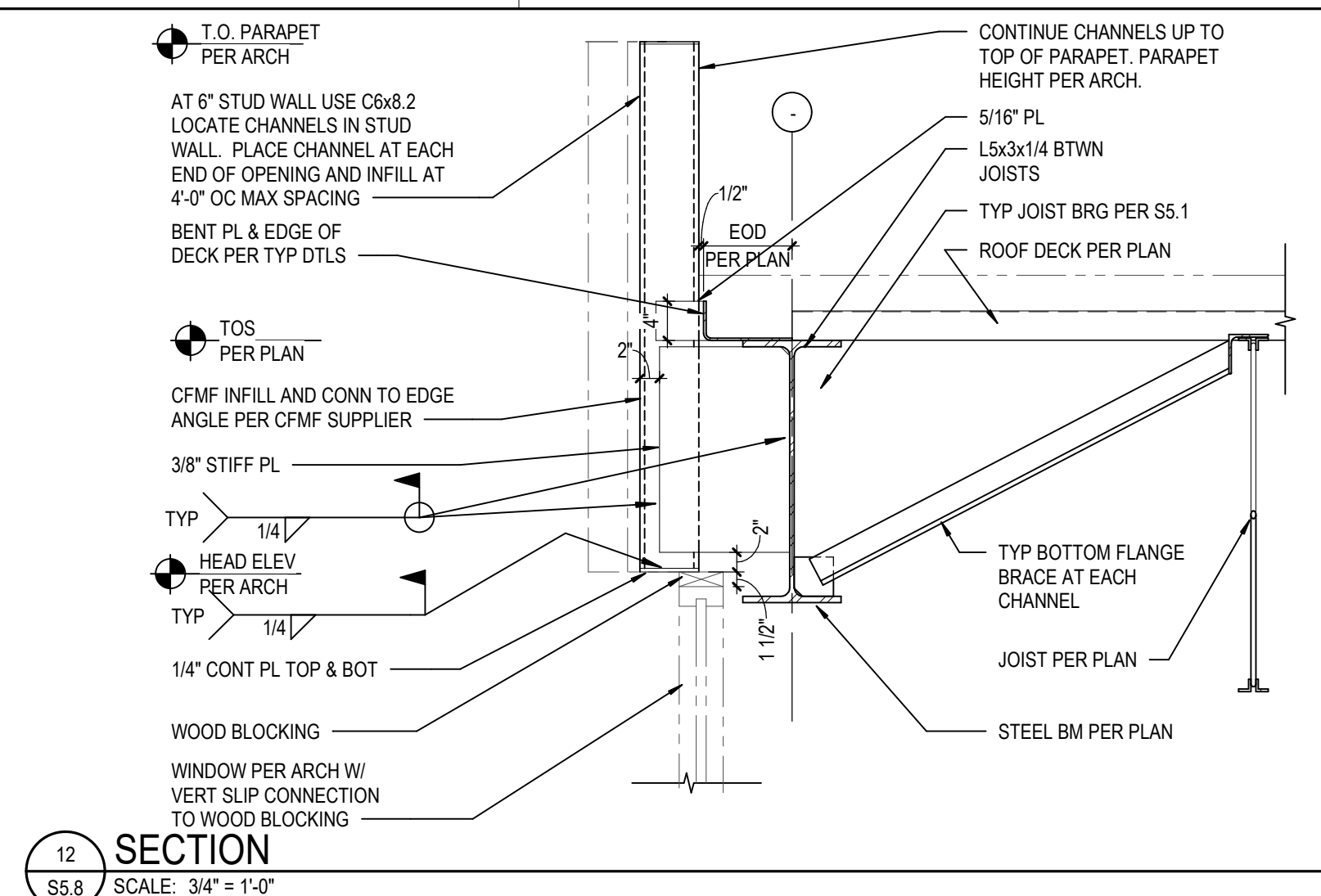
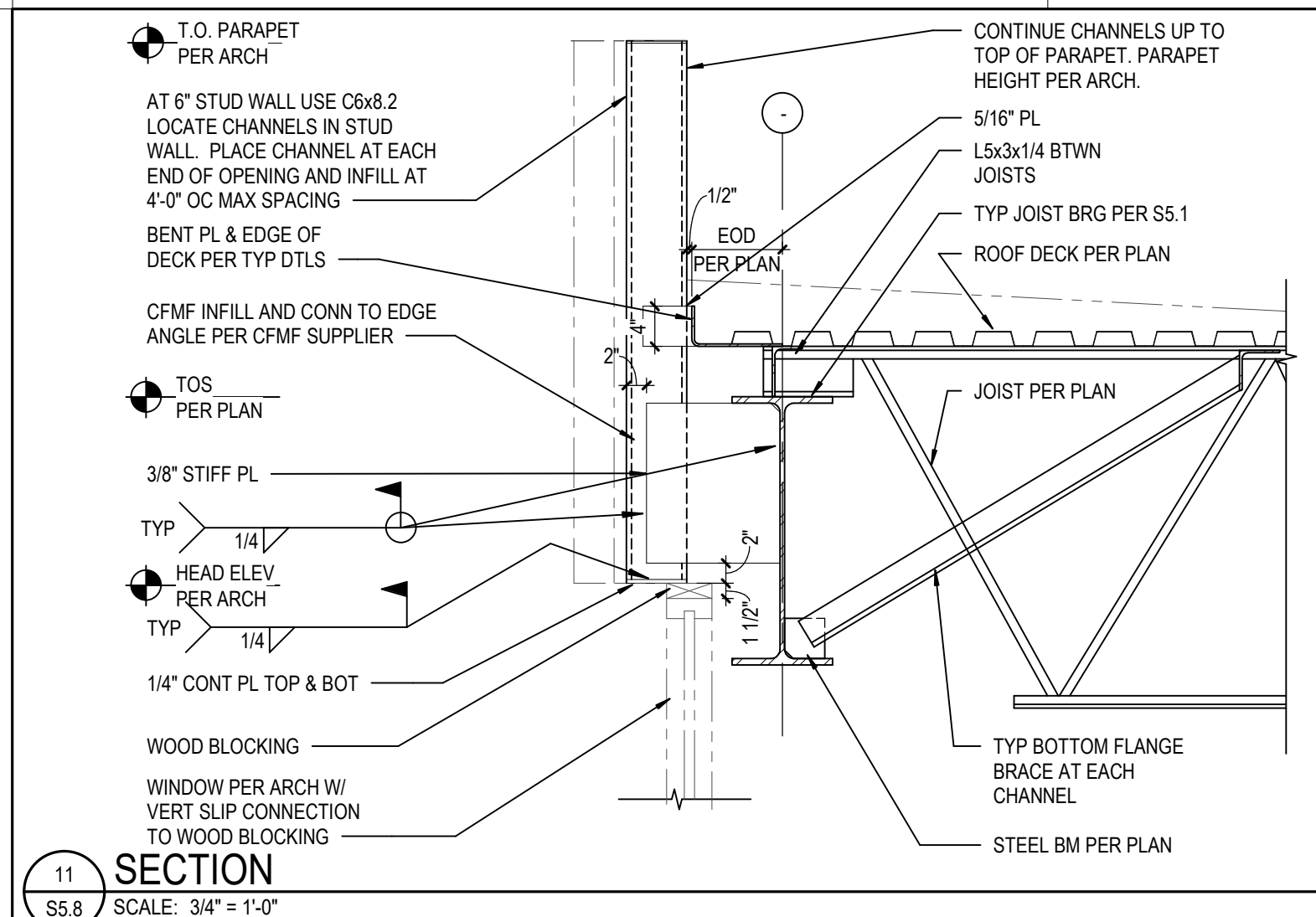


B:\300\13-20102-00\Lee's Summit Middle School 4\13-20102-00_Lee's Summit Middle School_4_S1_2020.rvt
 10/19/2020 11:15:03 AM



B16_020/13-20102-00 Lees Summit Middle School 4/13/2010 2:00 PM Lees Summit Middle School 1/25/2010 11:15:17 AM

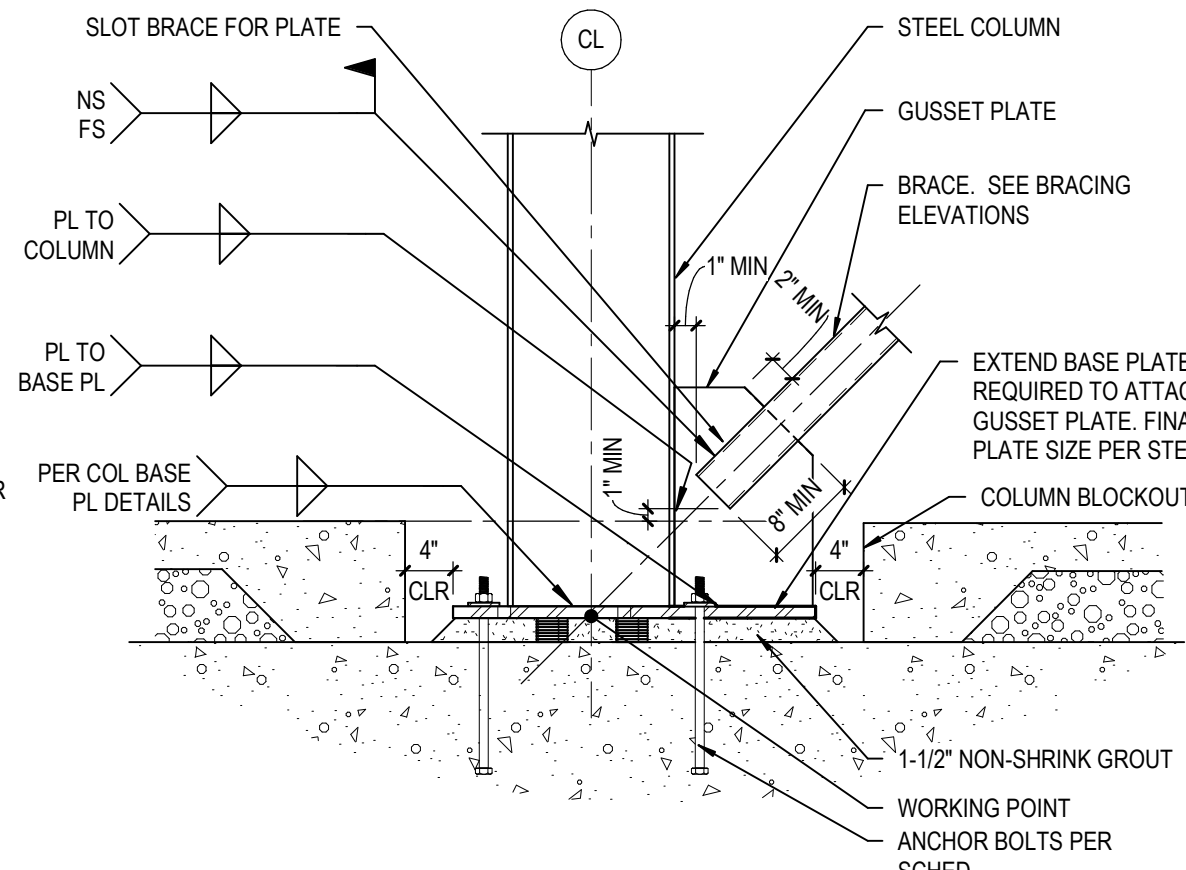




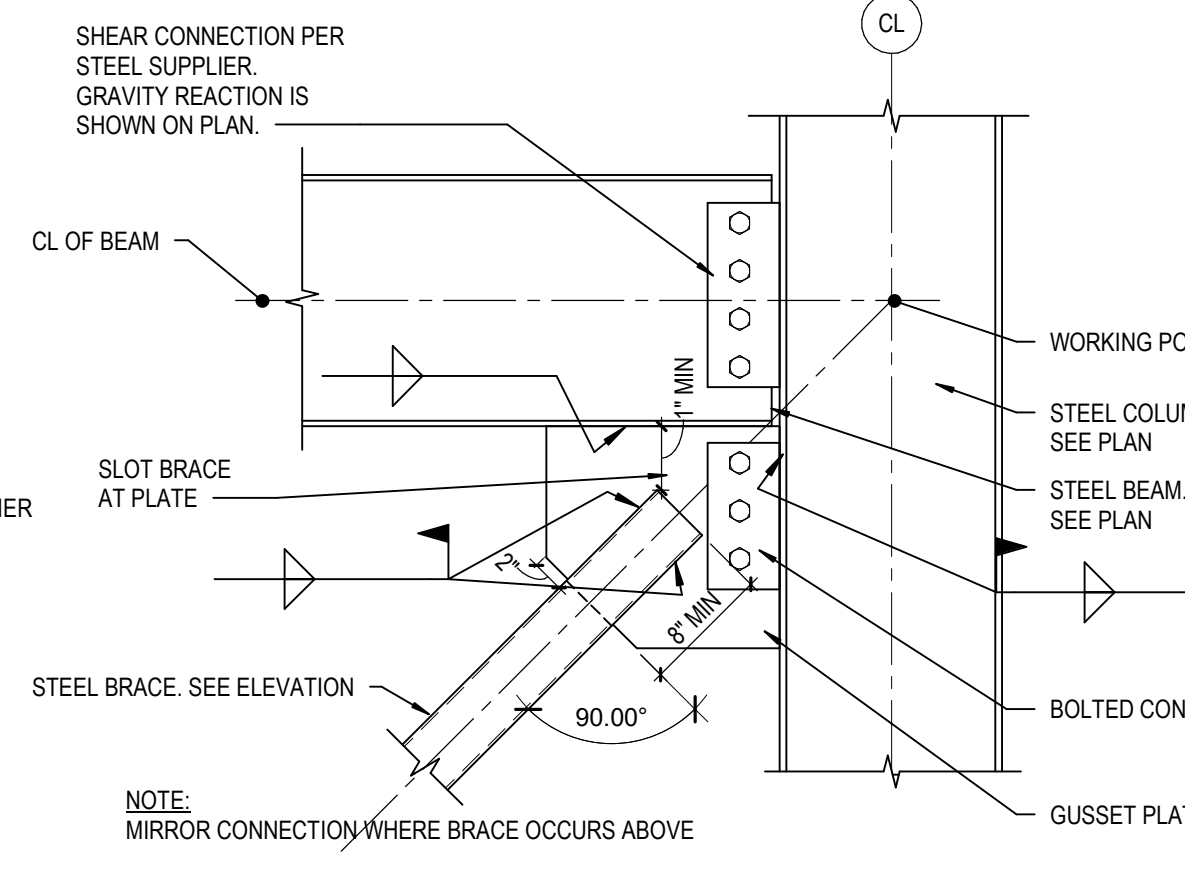
NOTE:
 DESIGN JOISTS TO HAVE A MINIMUM
 FUNDAMENTAL NATURAL FREQUENCY
 GREATER THAN 4 HZ USING MASS
 FROM TRUSS SELF WEIGHT PLUS 5 PSF
 DEAD LOAD. MAXIMUM TOTAL
 DEFLECTION SHALL NOT EXCEED 1/4"
 AT HANGER LOCATION UNDER FULL
 DESIGN LOADS

B:\320\13-20102-00\Lee's Summit Middle School\413-20102-00_Lee's Summit Middle School - S5.8.dwg
 10/19/2020 11:15:32 AM

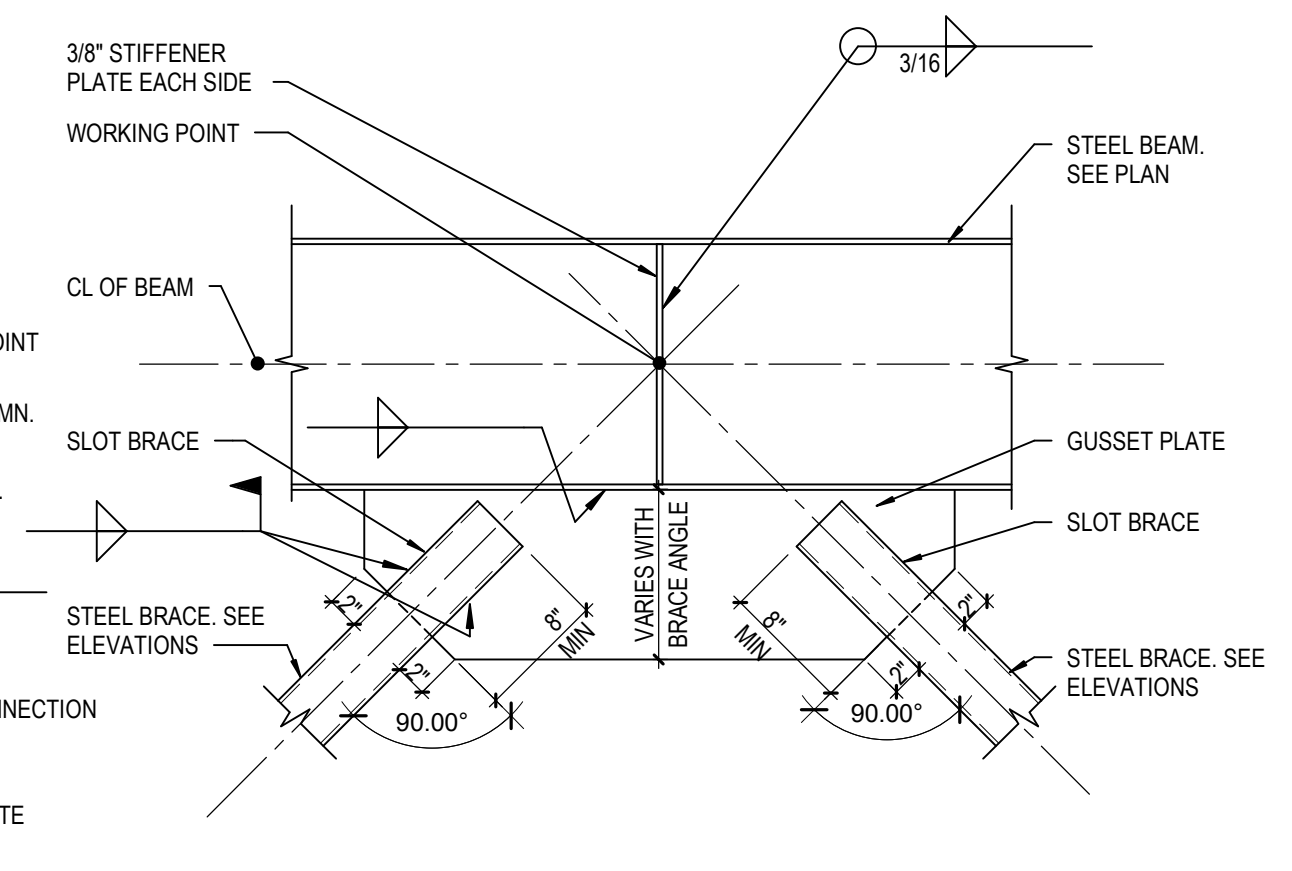
- BRACING CONNECTION NOTES**
1. ALL CONNECTIONS SHOWN ARE SCHEMATIC ONLY. FINAL CONNECTION DESIGN CALCULATIONS AND DETAILING SHALL BE PROVIDED BY THE STEEL FABRICATOR'S ENGINEER.
 2. REFER TO PLANS FOR ADDITIONAL SHEAR AND AXIAL REACTIONS NOT SHOWN.
 3. ALL CONNECTIONS SHALL BE DESIGNED IN ACCORDANCE WITH AISC LOAD AND RESISTANCE FACTOR DESIGN (LRFD) TO RESIST FACTORED REACTIONS PROVIDED FOR AN R = 3 SYSTEM.
 4. THE WORKPOINT SHALL BE DEFINED AS THE INTERSECTION OF ALL MEMBER CENTROIDS FRAMING INTO THE JOINT. STEEL SUPPLIER SHALL DESIGN THE CONNECTIONS TO TRANSFER ALL FORCES TO THE WORKPOINT.



12 TYP HSS BRACE CONNECTION DETAIL
SCALE: 3/4" = 1'-0"



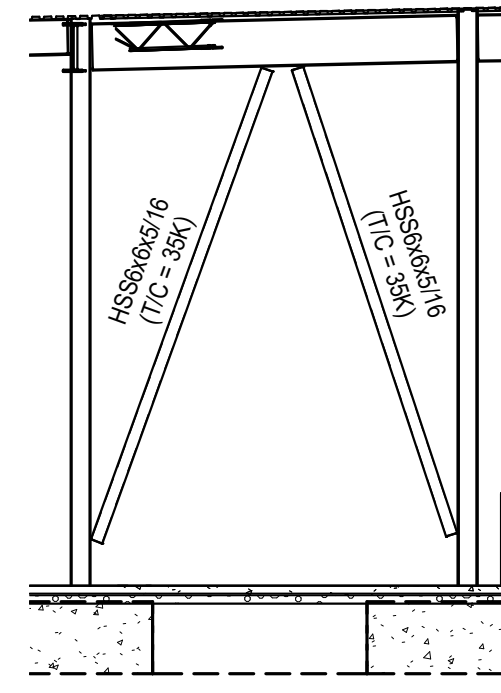
13 TYP HSS BRACE CONNECTION DETAIL
SCALE: 1" = 1'-0"



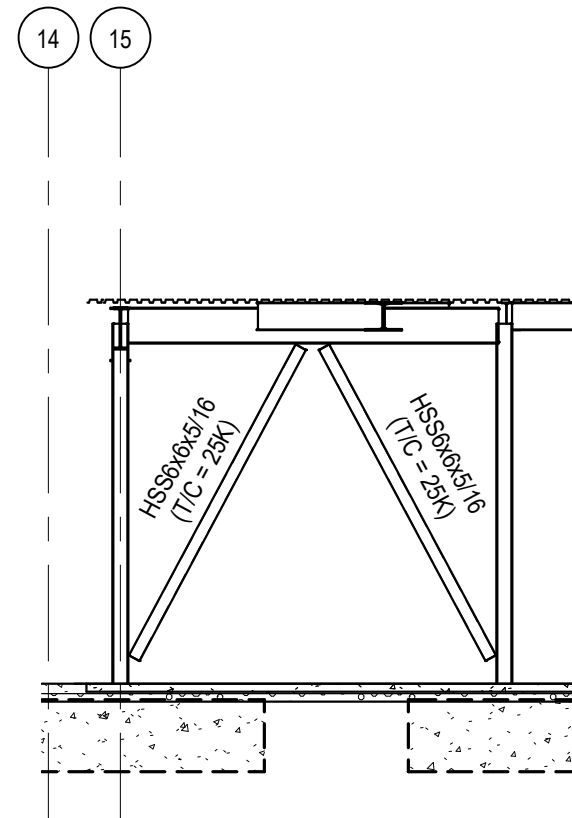
14 BRACE CONNECTION DETAIL
SCALE: 1" = 1'-0"

11 BRACE CONNECTION DETAIL NOTES
SCALE: 1" = 1'-0"

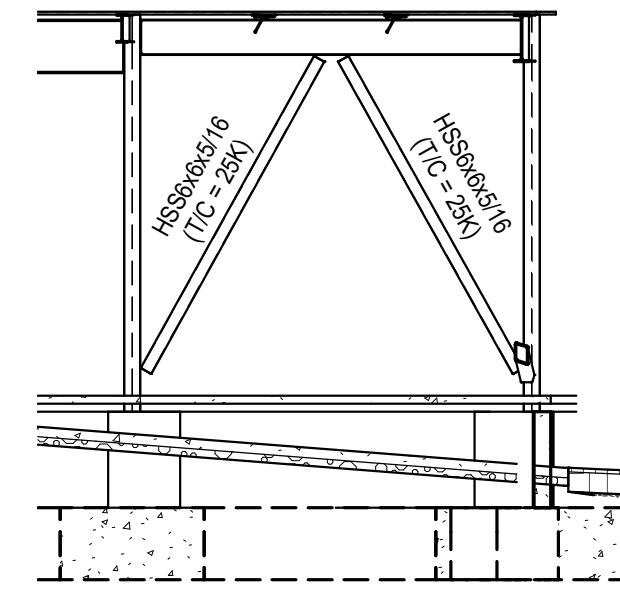




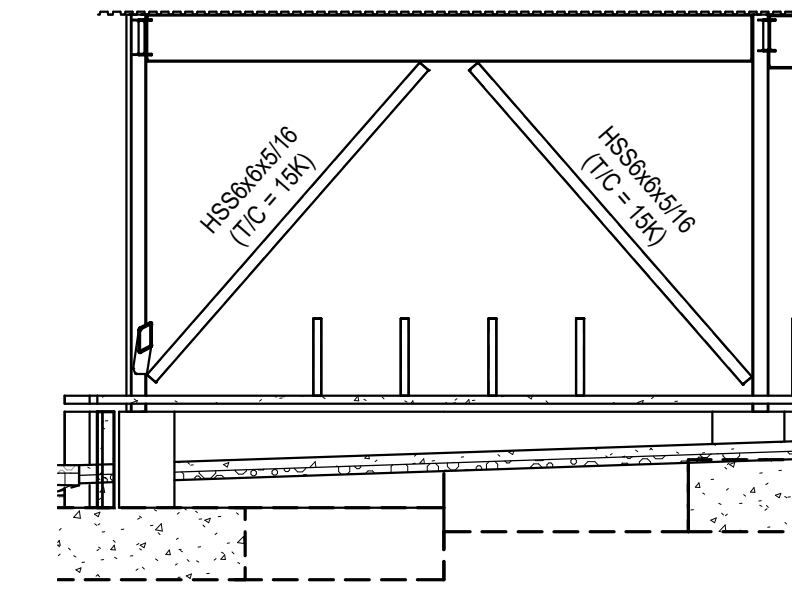
11 ELEVATION
S6.3 SCALE: 1/8" = 1'-0"



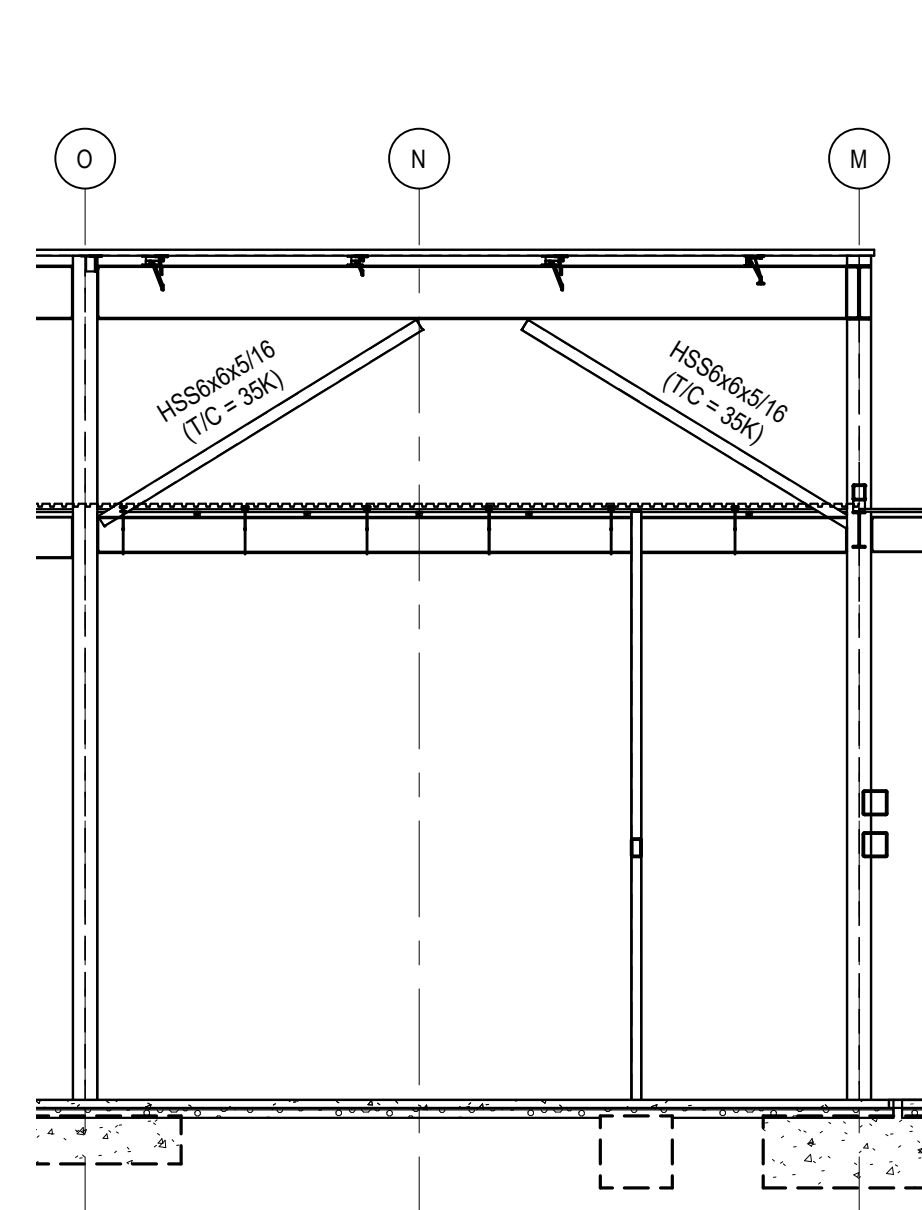
13 ELEVATION
S6.3 SCALE: 1/8" = 1'-0"



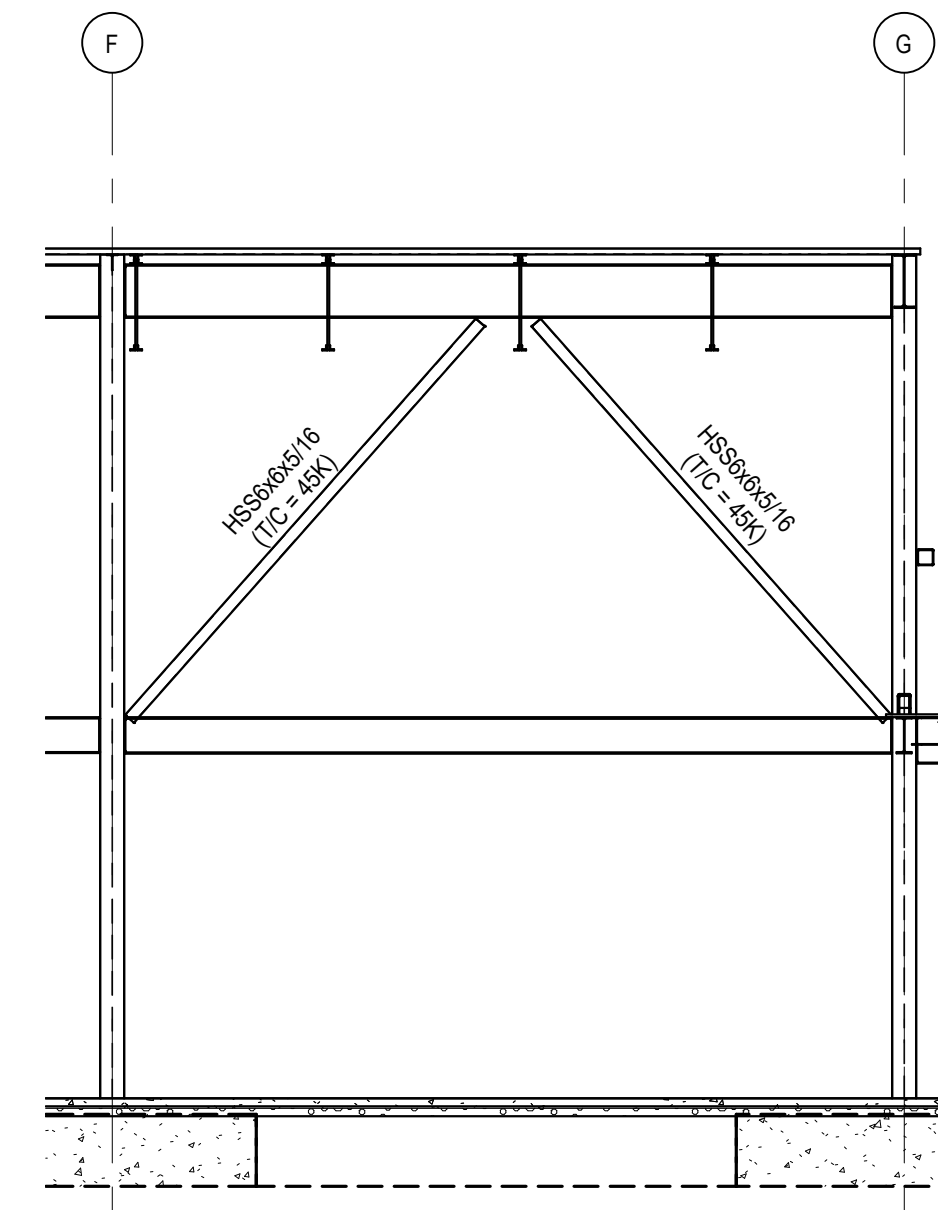
14 ELEVATION
S6.3 SCALE: 1/8" = 1'-0"



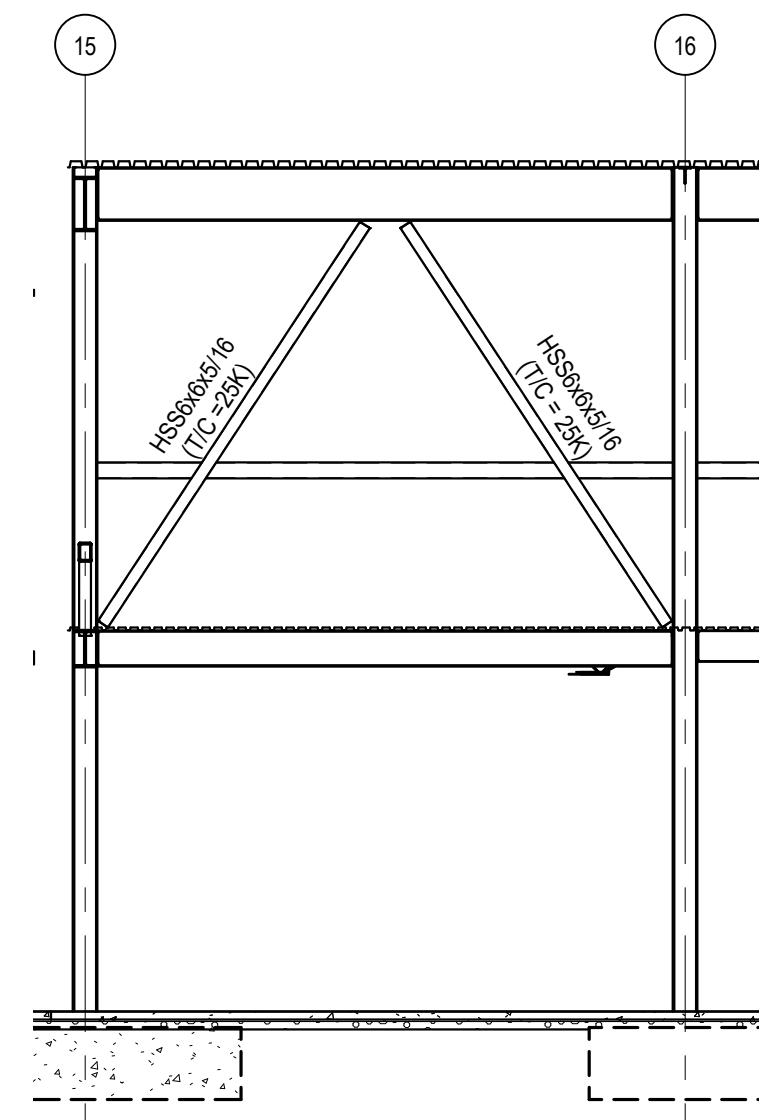
15 ELEVATION
S6.3 SCALE: 1/8" = 1'-0"



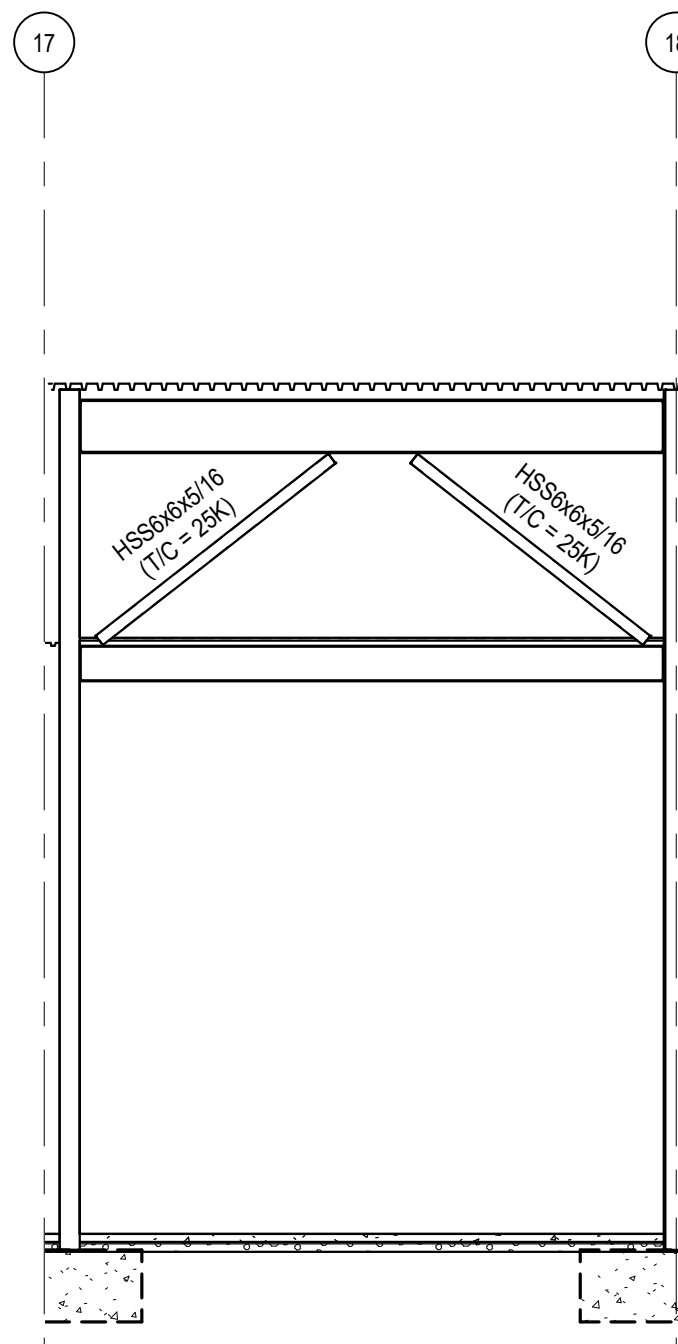
41 ELEVATION
S6.3 SCALE: 1/8" = 1'-0"



42 ELEVATION
S6.3 SCALE: 1/8" = 1'-0"



43 ELEVATION
S6.3 SCALE: 1/8" = 1'-0"



44 ELEVATION
S6.3 SCALE: 1/8" = 1'-0"

