

# City of Lee's Summit-Maintenance Facility Story Board

**ASSA ABLOY**

ASSA ABLOY Entrance Systems  
1900 Airport Road  
Monroe, NC 28110  
Phone: 1-866-237-2687  
specdesksna.entrance@assaabloy.com

ASSA ABLOY SW200i  
SURFACE APPLIED SINGLE  
SWING DOOR OPERATOR  
" PUSH APPLICATION "

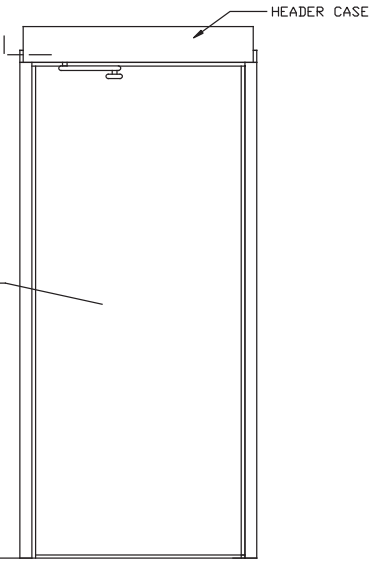
**NOTE:**

SW200i IS DESIGNED FOR HIGH PERFORMANCE, HEAVY USAGE PEDESTRIAN APPLICATIONS THAT COMPLY WITH ANSI A156.10. THE OPERATOR CAN ALSO BE ADJUSTED FOR LOWER MANUAL PUSH FORCES TO COMPLY WITH ANSI 156.19 AND FIRE DOOR REGULATIONS.

STANDARD FINISH:  
CLEAR - AA-C23-A31.

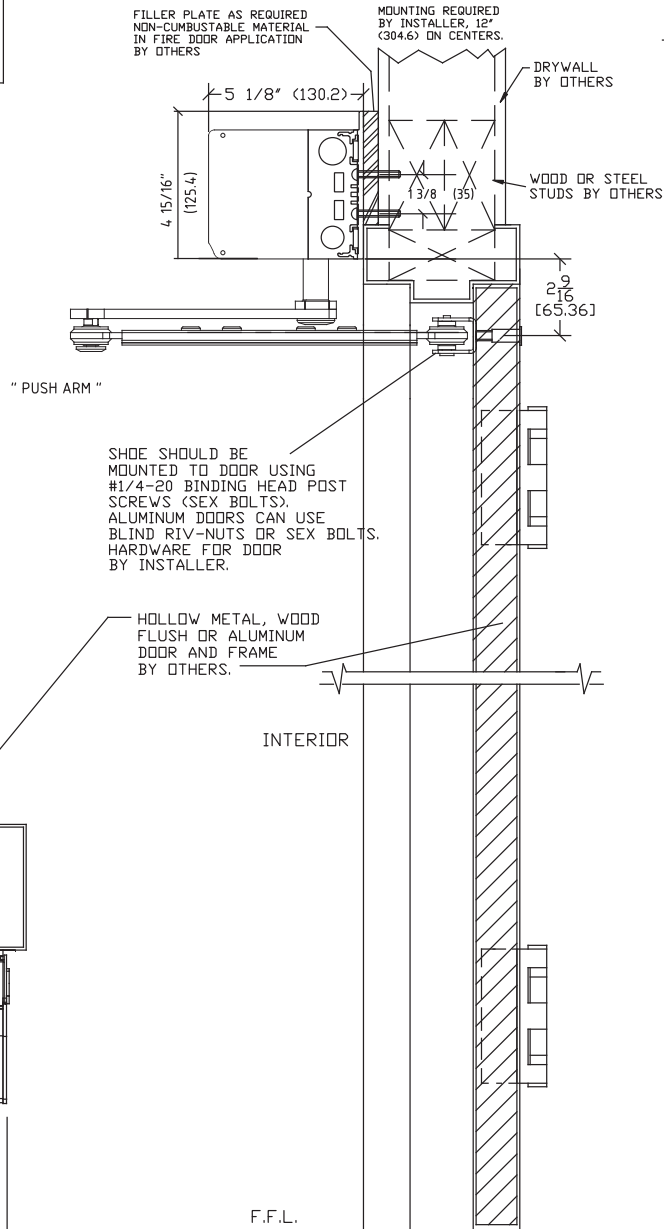
NOTE: DRAWING IS DIMENSIONED IN BOTH ENGLISH AND METRIC. REF. AS FOLLOWS: 1: (25.4). ALL METRIC SIZES ARE IN MILLIMETERS.

\* ELECTRICAL SERVICE  
120 VAC, 50/60 HZ.  
10A. BY ELEC. CONTR.



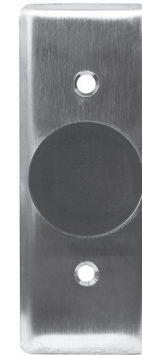
INTERIOR ELEVATION

HOLLOW METAL, WOOD  
FLUSH OR ALUMINUM  
DOOR AND FRAME  
BY OTHERS.



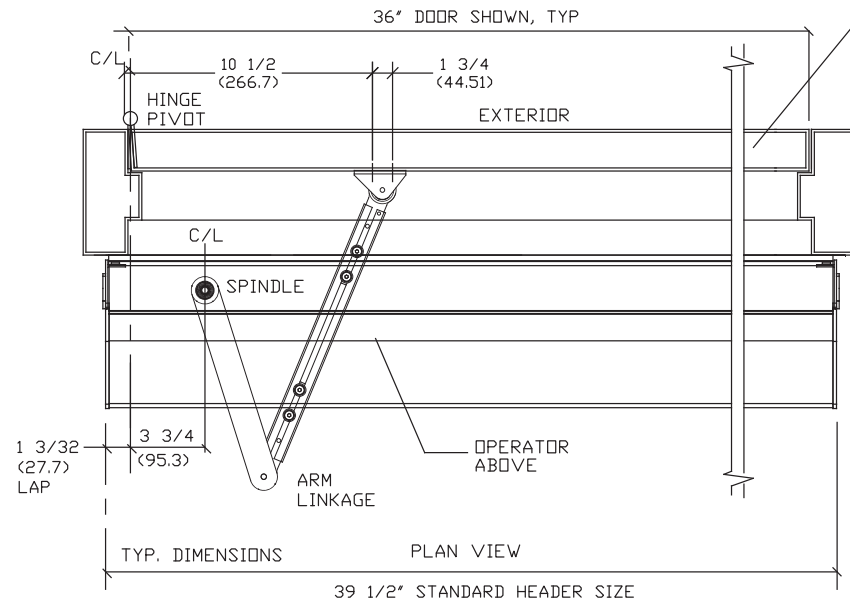
SHOE SHOULD BE MOUNTED TO DOOR USING #1/4-20 BINDING HEAD POST SCREWS (SEX BOLTS). ALUMINUM DOORS CAN USE BLIND RIV-NUTS OR SEX BOLTS. HARDWARE FOR DOOR BY INSTALLER.

HOLLOW METAL, WOOD  
FLUSH OR ALUMINUM  
DOOR AND FRAME  
BY OTHERS.



CM-330/N

wireless wave place  
activation at each  
opening (int and ext)



PLAN VIEW

39 1/2" STANDARD HEADER SIZE

Jimmy Jones, AAADM, Fire Check Certified  
Sales  
DH Pace Entry Door Systems Group

Office: (816) 221-0072  
Mobile: (816) 918-8499  
Email: [Jimmy.Jones@dhpac.com](mailto:Jimmy.Jones@dhpac.com)



DH Pace Company, Inc. - 1901 E. 119th Street - Olathe, KS 66061

Who is DH Pace Company?: [Click Here](#)



Exterior & Interior doors to work on.

Access control panel.

Exterior Set



Reader and ADA Button.

Active Leaf



Run cable out of sight along top of beam.

Interior Set



Keep intercom and reader as is. ADA Button here.

Active Leaf

# Mode of Operation

From the interior:

The ADA button will first unlock the leaf with the operator, then trigger the ADA operator to open.

From the exterior:

The ADA button will not function, unless the door is in an unlocked state or upon a valid card read.

Upon an unlocked state, valid card read, or intercom buzz-in, the ADA button should trigger the ADA operator.