

| SQUARE FOOTAGE TABLE      |      |
|---------------------------|------|
| FINISHED SQUARE FOOTAGE   |      |
| MAIN LEVEL                | 1526 |
| UPPER LEVEL               | 1773 |
| LOWER LEVEL               | 1223 |
| TOTAL                     | 4522 |
| UNFINISHED SQUARE FOOTAGE |      |
| GARAGE                    | 738  |
| LOWER LEVEL - UNFINISHED  | 197  |
| COVERED DECK              | 196  |
| UNCOVERED DECK            | 203  |

- SHEET INDEX**
- A1. FRONT AND REAR ELEVATION
  - A2. LEFT AND RIGHT ELEVATION
  - A3. FOUNDATION FLOOR PLAN
  - A4. MAIN LEVEL PLAN
  - A5. UPPER LEVEL PLAN
  - A6. ROOF PLAN

**ELEVATION NOTES**

1. MINIMUM ROOFING COMPOSITION- 30 YR. COMPOSITE SHINGLES ON 15# FELT ON 1/2" OSB SHEATHING OR AS REQUIRED BY CODE.
2. SIDES AND REAR TO BE LP SMART PANEL SIDING WITH 3/4x4 L.P. SMART TRIM AROUND DOORS, WINDOWS, AND CORNERS UNLESS NOTED OTHERWISE. BOTTOM OF SIDING SHALL BE A MINIMUM OF 6" ABOVE GRADE.
3. FRONT FACADE TO BE STUCCO, SHEATHED WITH 1/2" THICK OSB RATED 24/0 SHEATHING. EXTEND STUCCO TO BE WITHIN 8" OF FINISHED GRADE. 5/4X6 L.P. SMART TRIM AROUND WINDOWS AND DOORS UNLESS NOTED OTHERWISE.
4. NOT USED.
5. MANUFACTURED STONE VENEER.
6. NOT USED.
7. CEDAR BRACKETS, RE: 3/A1- INSTALL CEDAR BRACKETS PRIOR TO FASCIA BOARD INSTALLATION.
8. 5/4X8" L.P. SMART TRIM. 1 1/2" ARCH ON GARAGE DOOR TRIM UNLESS NOTED OTHERWISE ON ELEVATION
9. NOT USED.
10. NOT USED.
11. 2X4 STUD WALL WRAPPED IN STONE ON FRONT AND STUCCO ON SIDES ABOVE FINISHED PORCH. ALLOW MINIMUM 2" FOR STONE/STUCCO TO FIT WITHIN BOUNDARY OF STOOP CONCRETE. SEE PLAN FOR SIZE.
12. 6x6 CEDAR POST
13. BUILD CRICKET VALLEY AWAY FROM INTERSECTION FOR POSITIVE DRAINAGE. SEE FRAMING SPECIFICATIONS FOR DETAILS.

**GENERAL NOTES:**

DIMENSIONAL LUMBER IS LABELED PER INDUSTRY STANDARD TERMINOLOGY. ACTUAL LUMBER SIZING IS EXPECTED TO VARY PER VENDOR.

WINDOW SIZES ARE WRITTEN IN FEET AND INCHES PER INDUSTRY STANDARDS. EX: 3050 SH = 3'-0" X 5'-0" SINGLE HUNG, 3066 FIX = 3'-0" X 6'-6" FIXED.

**FRONT ELEVATION** ②  
SCALE: 1/4" = 1'-0"

**NOTE:**  
ALL CONSTRUCTION SHALL CONFORM TO 2018 INTERNATIONAL RESIDENTIAL CODE OR ATTACHED ENGINEER SPECIFICATIONS WHERE APPLICABLE.

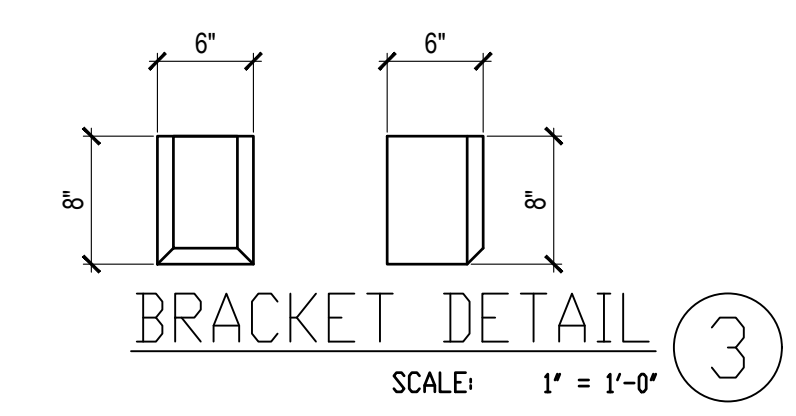
**ELEVATIONS:**  
GARAGE DOORS SHALL MEET DASHA FOR ULTIMATE DESIGN WIND SPEED OF 115 MPH REQUIREMENTS. WALL FRAMING SHALL BE DOUGLAS FIR LARCH #2 UNLESS OTHERWISE NOTED. IN BEARING WALLS, STUDS WHICH ARE NOT MORE THAN TEN FEET IN LENGTH SHALL BE SPACED NOT MORE THAN IS SPECIFIED BY IRC TABLE R602.3(5) FOR CORRESPONDING STUD SIZE. WATER-RESISTIVE EXTERIOR WALL BARRIER IN WALL SECTION SHALL COMPLY WITH IRC R703.2. WHEN APPLICABLE, CONTINUOUS STUDS BETWEEN FLOOR AND ROOF/CEILING DIAPHRAGM SHALL COMPLY WITH IRC R602.3.

ALL UNMARKED HEADERS SHALL BE A MINIMUM #2 DOUGLAS FIR LARCH (2) 2 X 10 ON LOAD BEARING WALLS.

SHIPLAP SIDING MUST BE FASTENED AT BOTH UNDERLAP AND OVERLAP.



**REAR ELEVATION** ①  
SCALE: 1/4" = 1'-0"



CPG DBA

**SUMMIT HOMES**  
120 SE 30TH ST.  
LEE'S SUMMIT, MO 64082  
816-246-6700

**COPYRIGHT 2017**  
THIS DRAWING HAS BEEN PREPARED BY SUMMIT HOMES, OR UNDER THEIR DIRECT SUPERVISION AS AN INSTRUMENT OF SERVICE AND IS INTENDED FOR USE ONLY ON THIS PROJECT. ALL DRAWINGS, SPECIFICATIONS, AND DESIGN, INCLUDING THE OVERALL LAYOUT, FORM, AND COMPOSITION OF SPACES ARE PROTECTED BY COPYRIGHT REGISTERED TO CPG, INC. ANY REPRODUCTION, USE, OR DISCLOSURE OF THE INFORMATION CONTAINED HEREIN WITHOUT THE WRITTEN CONSENT FROM CPG, INC. OR DBA SUMMIT HOMES, EXCEPT AS REQUIRED FOR BIDDING AND CONSTRUCTION OF THIS PROJECT IS STRICTLY PROHIBITED.

**PRESCOTT MASTER PLAN**  
CREEKSIDE AT RAINTREE #20  
4417 SW NAUTILUS PL  
LEE'S SUMMIT, MO

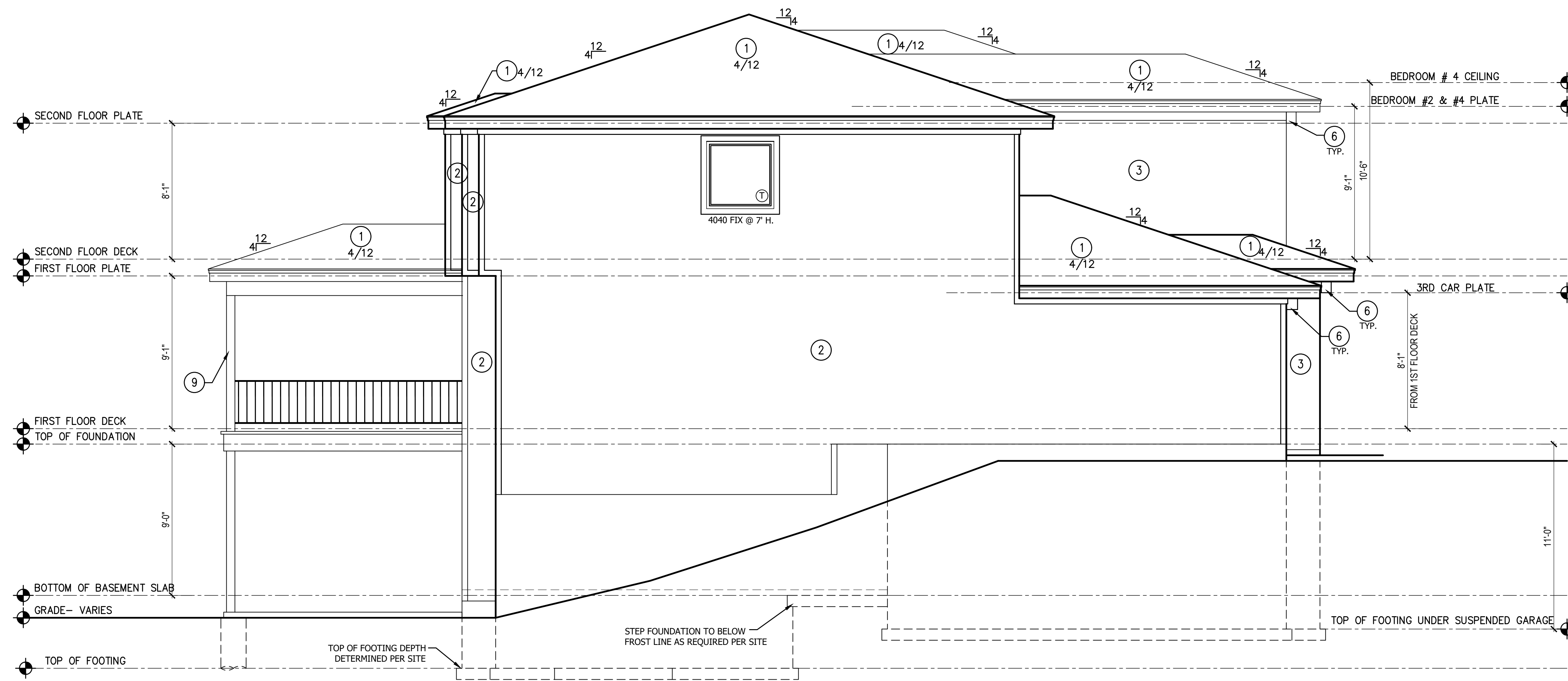
**PROFESSIONAL SEAL:**

RESIDENTIAL ENGINEERING SERVICES, LLC IS RESPONSIBLE FOR STRUCTURAL SPECIFICATIONS ONLY. ARCHITECTURAL PLANS WERE PRODUCED BY OTHERS.  
RESIDENTIAL ENGINEERING SERVICES, LLC  
600 SW JEFFERSON SUITE 300  
LEE'S SUMMIT, MO 64063  
816-399-4901

**ISSUE DATE:**  
09.03.20

**SHEET NUMBER:**  
**A1**





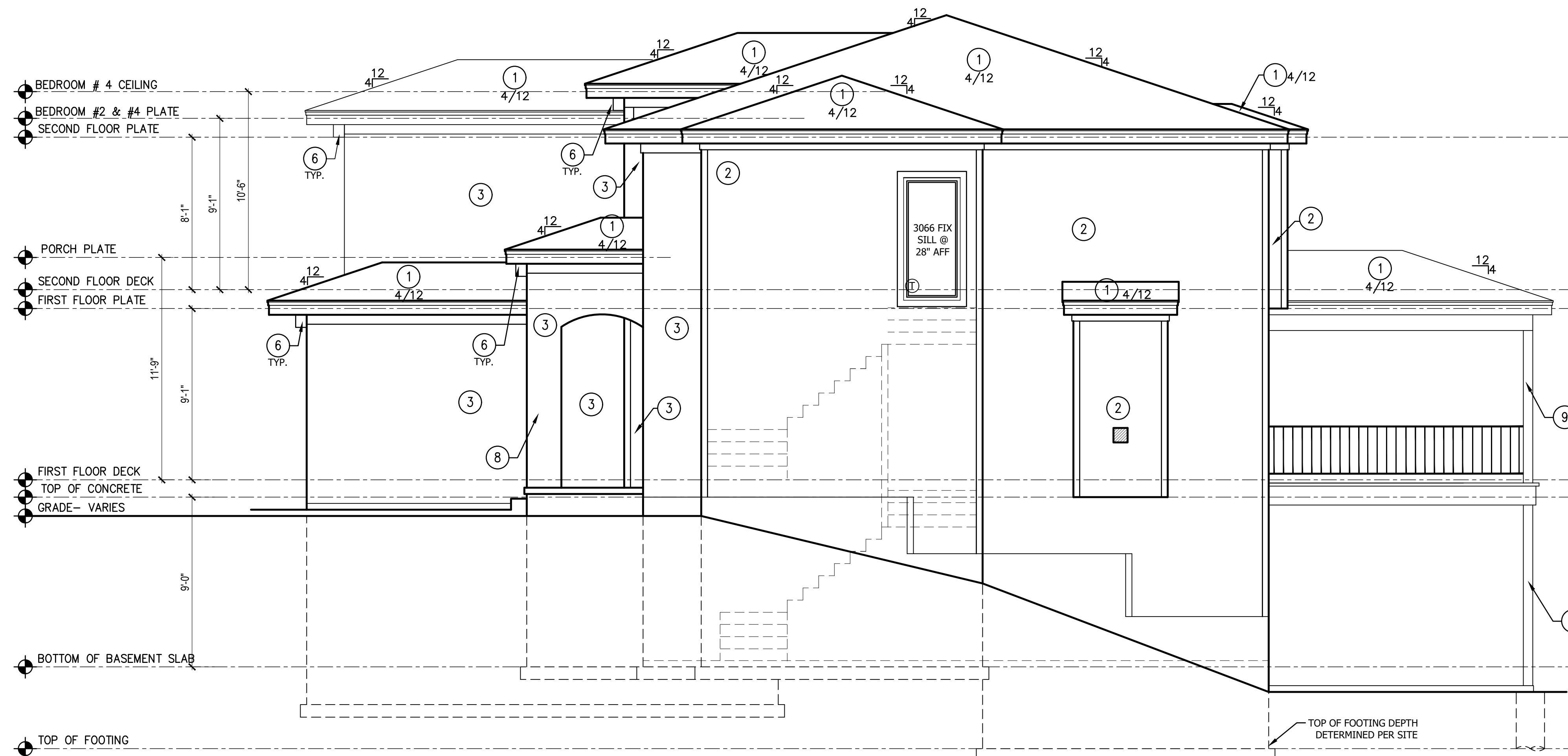
LEFT ELEVATION ②  
SCALE: 1/4" = 1'-0"

NOTE:  
ALL CONSTRUCTION SHALL CONFORM TO 2018 INTERNATIONAL RESIDENTIAL CODE OR ATTACHED ENGINEER SPECIFICATIONS WHERE APPLICABLE.

ELEVATIONS:  
GARAGE DOORS SHALL MEET DASMA FOR ULTIMATE DESIGN WIND SPEED OF 115 MPH REQUIREMENTS. WALL FRAMING SHALL BE DOUGLAS FIR LARCH #2 UNLESS OTHERWISE NOTED.  
IN BEARING WALLS, STUDS WHICH ARE NOT MORE THAN TEN FEET IN LENGTH SHALL BE SPACED NOT MORE THAN IS SPECIFIED BY IRC TABLE R602.3(5) FOR CORRESPONDING STUD SIZE.  
WATER-RESISTIVE EXTERIOR WALL BARRIER IN WALL SECTION SHALL COMPLY WITH IRC R703.2.  
WHEN APPLICABLE, CONTINUOUS STUDS BETWEEN FLOOR AND ROOF/CEILING DIAPHRAGM SHALL COMPLY WITH IRC R602.3.

ALL UNMARKED HEADERS SHALL BE A MINIMUM #2 DOUGLAS FIR LARCH (2) 2 X 10 ON LOAD BEARING WALLS.

SHIPLAP SIDING MUST BE FASTENED AT BOTH UNDERLAP AND OVERLAP.



RIGHT ELEVATION ①  
SCALE: 1/4" = 1'-0"

ELEVATION NOTES

- MINIMUM ROOFING COMPOSITION- 30 YR. COMPOSITE SHINGLES ON 15# FELT ON 1/2" OSB SHEATHING OR AS REQUIRED BY CODE.
- SIDES AND REAR TO BE LP SMART PANEL SIDING WITH 3/4x4 L.P. SMART TRIM AROUND DOORS, WINDOWS, AND CORNERS UNLESS NOTED OTHERWISE. BOTTOM OF SIDING SHALL BE A MINIMUM OF 6" ABOVE GRADE.
- FRONT FACADE TO BE STUCCO, SHEATHED WITH 1/2" THICK OSB RATED 24/0 SHEATHING. EXTEND STUCCO TO BE WITHIN 8" OF FINISHED GRADE. 3/4X6 L.P. SMART TRIM AROUND WINDOWS AND DOORS UNLESS NOTED OTHERWISE.
- NOT USED.
- NOT USED.
- CEDAR BRACKETS, RE: 3/A1- INSTALL CEDAR BRACKETS PRIOR TO FASCIA BOARD INSTALLATION.
- NOT USED.
- 2X4 STUD WALL WRAPPED IN STONE ON FRONT AND STUCCO ON SIDES ABOVE FINISHED PORCH. ALLOW MINIMUM 2" FOR STONE/STUCCO TO FIT WITHIN BOUNDARY OF POSITIVE CONCRETE. SEE PLAN FOR SIZE.
- 6X6 CEDAR POST
- BUILD CRICKET VALLEY AWAY FROM INTERSECTION FOR POSITIVE DRAINAGE. SEE FRAMING SPECIFICATIONS FOR DETAILS

GENERAL NOTES:

DIMENSIONAL LUMBER IS LABELED PER INDUSTRY STANDARD TERMINOLOGY. ACTUAL LUMBER SIZING IS EXPECTED TO VARY PER VENDOR.

WINDOW SIZES ARE WRITTEN IN FEET AND INCHES PER INDUSTRY STANDARDS. EX: 3050 SH = 3'-0" X 5'-0" SINGLE HUNG, 3066 FIX = 3'-0" X 6'-6" FIXED.

CPG DBA

**SUMMIT HOMES**  
120 SE 30TH ST.  
LEE'S SUMMIT, MO 64082  
816-246-6700

COPYRIGHT 2017  
THIS DRAWING HAS BEEN PREPARED BY SUMMIT HOMES, OR UNDER THEIR DIRECT SUPERVISION AS AN INSTRUMENT OF SERVICE AND IS INTENDED FOR USE ONLY ON THIS PROJECT. ALL DRAWINGS, SPECIFICATIONS, AND DETAILS, INCLUDING THE OVERALL LAYOUT, FORM, AND COMPOSITION OF SPACES ARE PROTECTED BY COPYRIGHT REGISTERED TO CPG, INC. ANY REPRODUCTION, USE, OR DISCLOSURE OF THE INFORMATION CONTAINED HEREIN WITHOUT THE WRITTEN CONSENT FROM CPG, INC. DBA SUMMIT HOMES EXCEPT AS REQUIRED FOR BIDDING AND CONSTRUCTION OF THIS PROJECT IS STRICTLY PROHIBITED.

**PRESCOTT**  
MASTER PLAN  
CREEKSIDE AT RAINTREE #20  
4417 SW NAUTILUS PL  
LEE'S SUMMIT, MO

PROFESSIONAL SEAL:

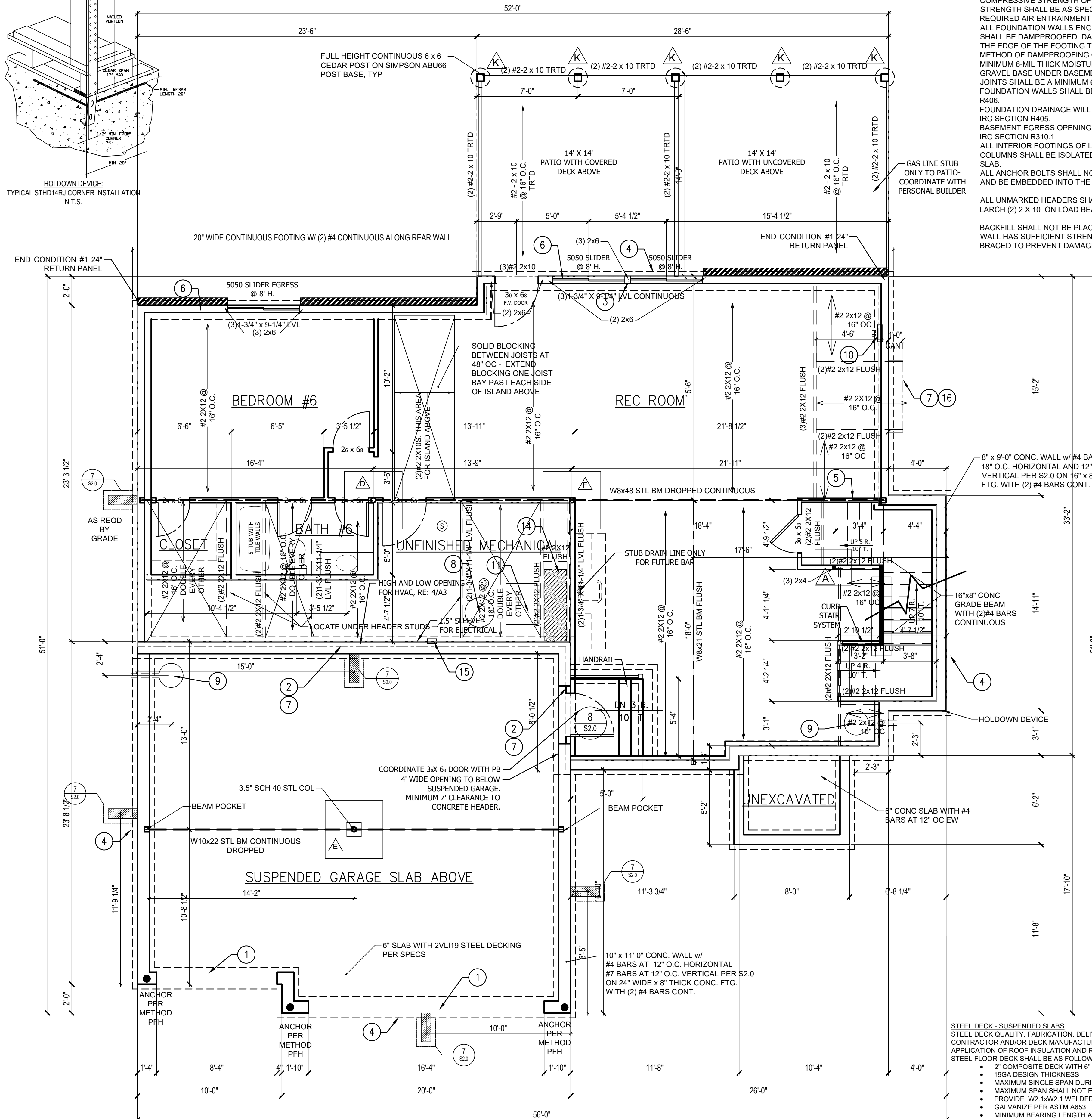
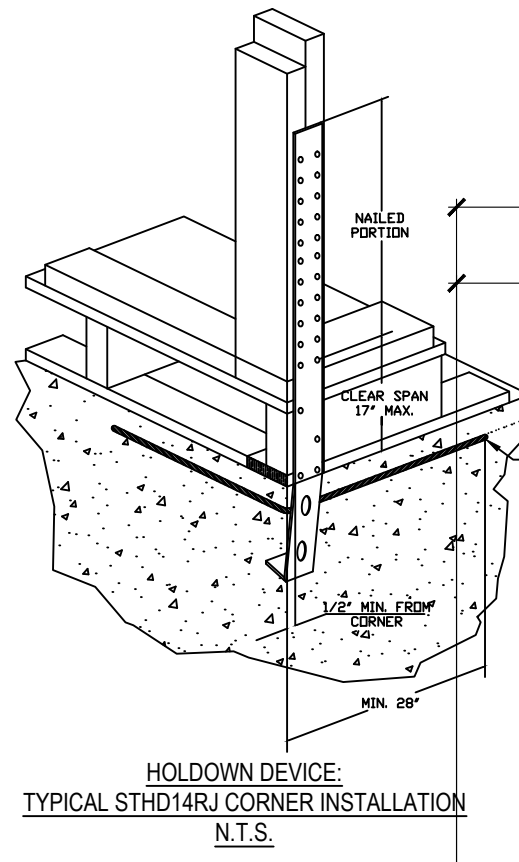
RESIDENTIAL ENGINEERING SERVICES, LLC IS RESPONSIBLE FOR STRUCTURAL SPECIFICATIONS ONLY. ARCHITECTURAL PLANS WERE PRODUCED BY OTHERS.  
RESIDENTIAL ENGINEERING SERVICES, LLC  
600 SW JEFFERSON SUITE 300  
LEE'S SUMMIT, MO 64063  
816-399-4901

ISSUE DATE:  
09.03.20

SHEET NUMBER:  
**A2**



**\*\*ALL INTERIOR NON-LOAD BEARING, NON-BRACED, NON-CABINET WALLS ARE ALLOWED AT 24" OC.**



**NOTE:**  
ALL CONSTRUCTION SHALL CONFORM TO 2018 INTERNATIONAL RESIDENTIAL CODE OR ATTACHED ENGINEER SPECIFICATIONS WHERE APPLICABLE.

**FOUNDATION NOTES:**  
ALL FOOTINGS MEET OR EXCEED MINIMUM FROST DEPTH OF 36". SOIL BEARING CAPACITY SHALL BE 2000 PSF. COMPRESSIVE STRENGTH OF CONCRETE F/C COMPRESSIVE STRENGTH SHALL BE AS SPECIFIED IN IRC TABLE R402.2. REQUIRED AIR ENTRAINMENT SHALL BE 5-7%. ALL FOUNDATION WALLS ENCLOSING BELOW GRADE SPACE SHALL BE DAMPPROOFED. DAMPPROOFING SHALL EXTEND FROM THE EDGE OF THE FOOTING TO THE FINISHED GRADE (R-406.1). METHOD OF DAMPPROOFING OR WATERPROOFING SHALL BE A MINIMUM 6-MIL THICK MOISTURE BARRIER OVER POROUS GRAVEL BASE UNDER BASEMENT FLOOR SLAB PER R405.2.2. LAP JOINTS SHALL BE A MINIMUM 6". FOUNDATION WALLS SHALL BE DAMPPROOFED PER IRC SECTION R406.  
FOUNDATION DRAINAGE WILL BE IN ACCORDANCE WITH WITH IRC SECTION R405.  
BASEMENT EGRESS OPENINGS SHALL BE IN ACCORDANCE WITH IRC SECTION R310.1  
ALL INTERIOR FOOTINGS OF LOAD BEARING WALLS AND COLUMNS SHALL BE ISOLATED FROM THE BASEMENT FLOOR SLAB.  
ALL ANCHOR BOLTS SHALL NOT BE SPACED MORE THAN 6" O.C. AND BE EMBEDDED INTO THE CONCRETE A MINIMUM OF 7".

ALL UNMARKED HEADERS SHALL BE A MINIMUM #2 DOUGLAS FIR LARCH (2) X 10 ON LOAD BEARING WALLS.

BACKFILL SHALL NOT BE PLACED AGAINST THE WALL UNTIL THE WALL HAS SUFFICIENT STRENGTH OR HAS BEEN SUFFICIENTLY BRACED TO PREVENT DAMAGE BY BACKFILL.

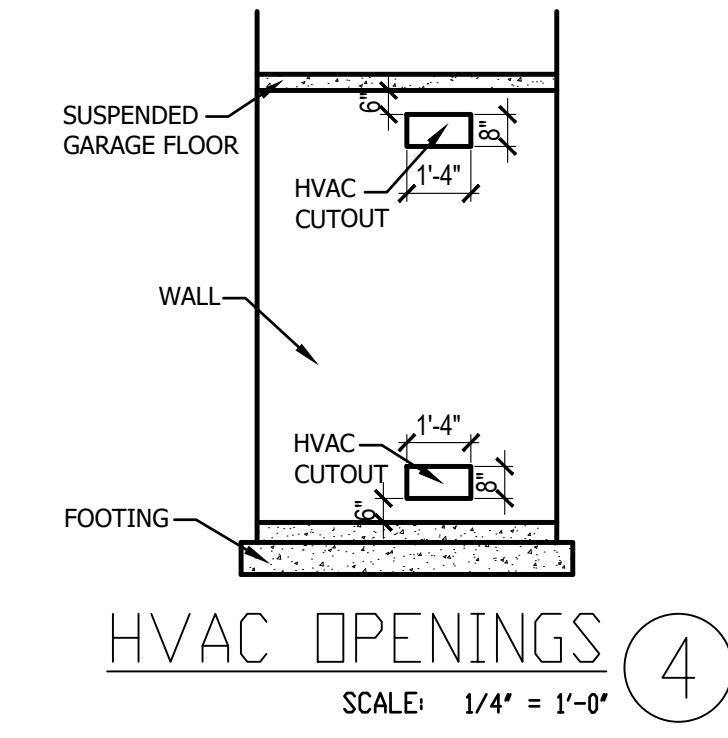
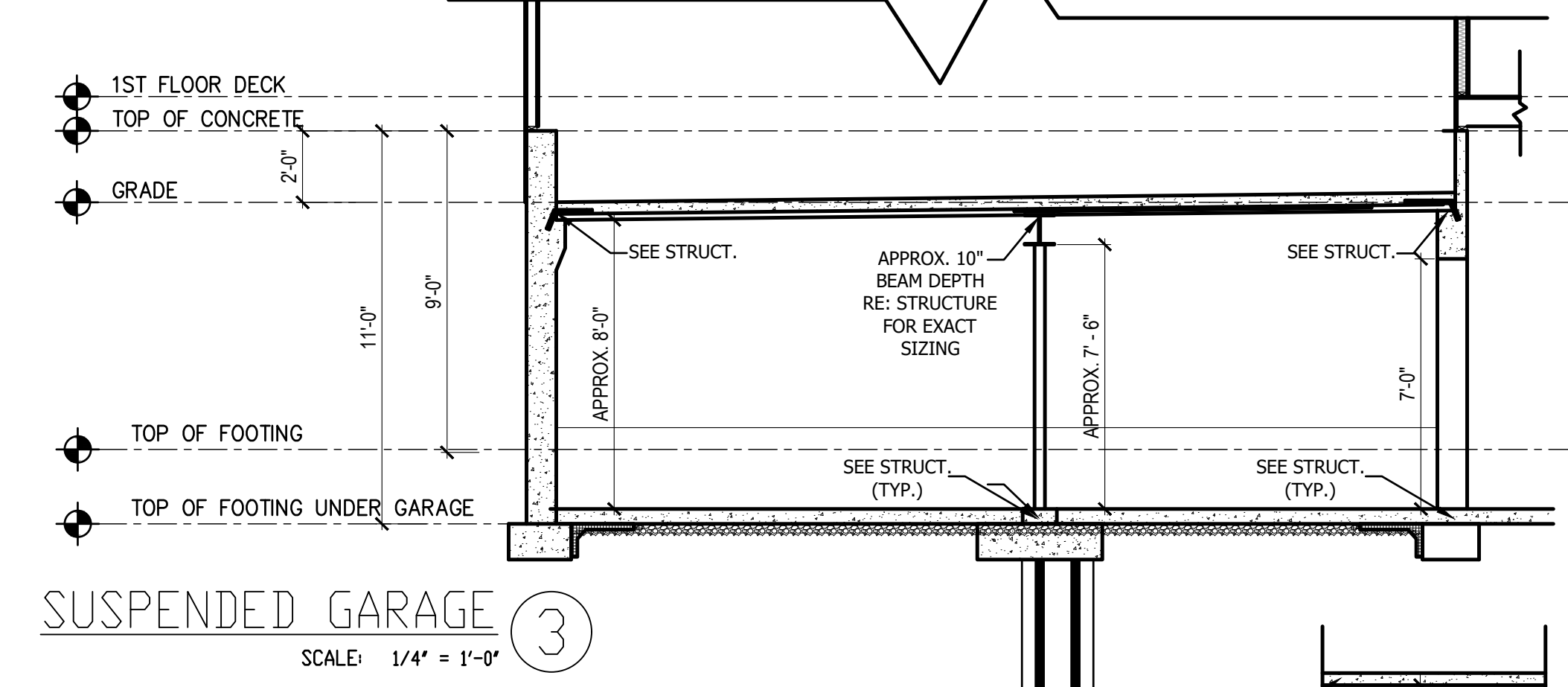
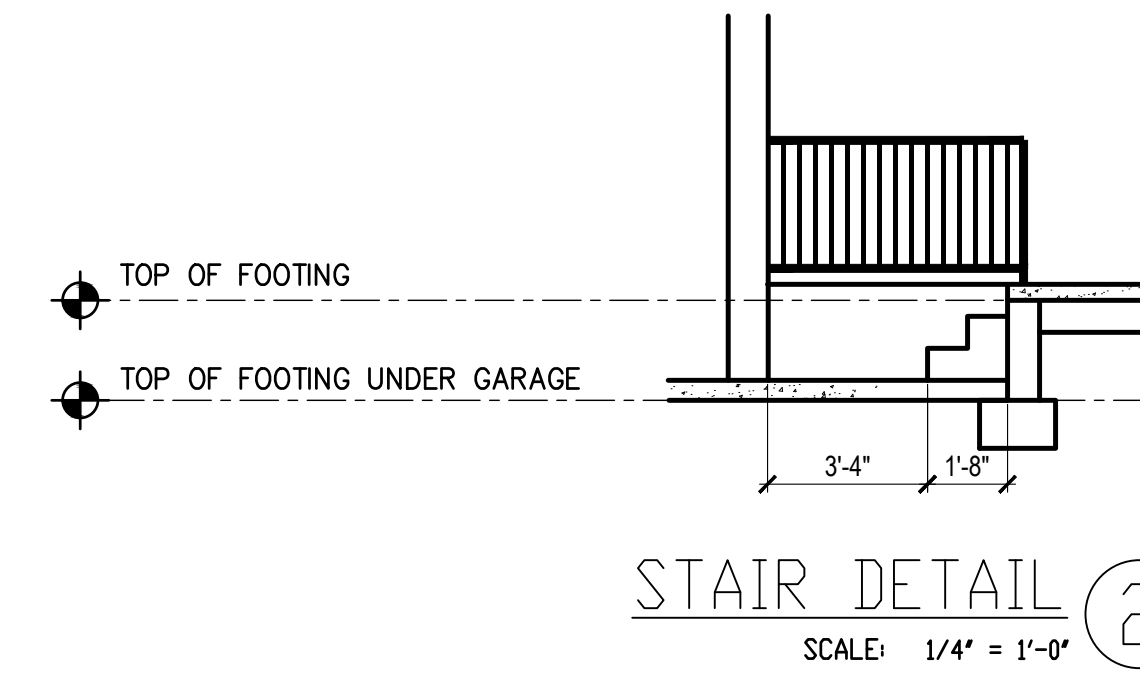
**ISOLATED FOOTINGS AND COLUMN PADS**

| SYM | PIER PAD SIZE | DEPTH | MINIMUM REINFORCEMENT GRADE 40 KSI STEEL | SCHEDULE 40 STEEL COLUMN, MIN F <sub>y</sub> = 36KSI |
|-----|---------------|-------|------------------------------------------|------------------------------------------------------|
| A   | 30"x30"       | 1'-0" | (5) #4 BAR E.W.                          | 3" DIAMETER                                          |
| B   | 36"x36"       | 1'-0" | (6) #4 BAR E.W.                          | 3" DIAMETER                                          |
| C   | 42"x42"       | 1'-2" | (7) #4 BAR E.W.                          | 3" DIAMETER                                          |
| D   | 48"x48"       | 1'-4" | (8) #4 BAR E.W.                          | 3" DIAMETER                                          |
| E   | 48"x48"       | 1'-4" | (8) #4 BAR E.W.                          | N/A                                                  |
| F   | 54"x54"       | 1'-4" | (9) #4 BAR E.W.                          | 3.5" DIAMETER                                        |
| G   | 60"x60"       | 1'-6" | (10) #4 BAR E.W.                         | 3.5" DIAMETER                                        |

**ISOLATED FOOTINGS AND COLUMN PADS**

| SYM | PIER DIAMETER | DEPTH | MINIMUM REINFORCEMENT GRADE 40 KSI STEEL |
|-----|---------------|-------|------------------------------------------|
| G   | 12"           | 3'-0" | (4) VERTICAL #4                          |
| H   | 16"           | 3'-0" | (4) VERTICAL #4                          |
| I   | 18"           | 3'-0" | (4) VERTICAL #4                          |
| K   | 24"           | 3'-0" | (4) VERTICAL #4                          |
| L   | 28"           | 3'-0" | (4) VERTICAL #4                          |

COLUMN AND PAD SIZES ARE FOR A MAXIMUM COLUMN HEIGHT OF 10'. COLUMNS GREATER THAN 10' REQUIRE A SEPARATE ENGINEERED DESIGN. FOOTINGS A-F SPACING OF 6" O.C. WITH 3" CLEAR COVER.



**FOUNDATION PLAN NOTES**

- RECESS TOP OF FOUNDATION WALL
- HOLD SILL PLATE BACK 4"
- 3 STUDS BETWEEN WINDOWS
- CONTINUOUS CONCRETE FOOTING
- 2X4 STUD WALL WITH TREATED SILL PLATE
- 2X6 STUD WALL WITH TREATED SILL PLATE
- LINE OF FLOOR ABOVE
- THERMAL EXPANSION CONTROL DEVICE FOR WATER HEATER
- SUMP PIT AND PUMP. PROVIDE ELECTRICAL GFCI PROTECTION. PROVIDE SLEEVE THROUGH FOOTING.
- 200 AMP ELECTRICAL PANEL. LOCATION TO BE DETERMINED ON SITE.
- DIRECT FURNACE. FUEL BURNING APPLIANCES SHALL BE DIRECT VENTED TO EXTERIOR FOR COMBUSTION AIR.
- NOT USED
- NOT USED
- HVAC CHASE ABOVE
- 'UFER' GROUND. VERIFY LOCATION WITH PROJECT MANAGER.
- INSULATE CANTILEVER AS REQUIRED PRIOR TO BLOCKING

**GENERAL NOTES:**

BACK WATER VALVES REQUIRED ON ALL BASMENT PLUMBING FIXTURES. PROVIDE MEANS OF CONTROLLING PRESSURE CAUSED BY THERMAL EXPANSION.

SUMP PIT SHALL BE EQUIPPED WITH A PUMP AND RECEPTACLE. IN UNFINISHED PORTIONS OF BASEMENT, RECEPTACLES SHALL HAVE GFI PROTECTION.

ALL SILLS & SLEEPERS SUPPORTED ON CONCRETE OR MASONRY SHALL BE DECAY-RESISTANT MATERIALS.

DIMENSIONAL LUMBER IS LABELED PER INDUSTRY STANDARD TERMINOLOGY. ACTUAL LUMBER SIZING IS EXPECTED TO VARY PER VENDOR.

NON-BEARING WALLS TO BE BUILT WITH 1" GAP BETWEEN TOP PLATE AND FLOOR JOISTS TO PREVENT HEAVING.

SMOKE AND CARBON MONOXIDE DETECTORS SHOWN ON PLANS ARE TO BE CONSIDERED RECOMMENDATIONS ONLY. FINAL PLACEMENT IS TO BE DETERMINED BY MUNICIPAL REQUIREMENTS.

WINDOW SIZES ARE WRITTEN IN FEET AND INCHES PER INDUSTRY STANDARDS. EX: 3050 SH = 3'-0" X 5'-0" SINGLE HUNG, 3066 FIX = 3'-0" X 6'-6" FIXED.

**STEEL DECK - SUSPENDED SLABS**  
STEEL DECK QUALITY, FABRICATION, DELIVERY, INSTALLATION AND ATTACHMENT SHALL COMPLY WITH THE PROVISIONS OF THE STEEL DECK INSTITUTE, SDI. CONTRACTOR AND/OR DECK MANUFACTURER SHALL FURNISH ALL NECESSARY DECK CLOSURE ACCESSORIES TO PROVIDE A FINISHED SURFACE FOR THE APPLICATION OF ROOF INSULATION AND ROOF COVERING.  
STEEL FLOOR DECK SHALL BE AS FOLLOWS UNLESS NOTED OTHERWISE ON CONSTRUCTION DRAWINGS:

- 2" COMPOSITE DECK WITH 6" TOTAL SLAB THICKNESS
- 18GA DESIGN THICKNESS
- MAXIMUM SINGLE SPAN DURING CONSTRUCTION OF 8', 2 SPAN OF 10'-1", OR 3 SPAN OF 10'-5'.
- MAXIMUM SPAN SHALL NOT EXCEED 12.5'.
- PROVIDE W2 1xW2.1 WELDED WIRE MESH OR #4 @ 12" O.C. EACH WAY. PROVIDE 2" REBAR COVER MEASURED FROM TOP OF THE SLAB
- GALVANIZE PER ASTM A653
- MINIMUM BEARING LENGTH AT EDGE SUPPORTS IS 2"
- MINIMUM BEARING LENGTH AT INTERIOR SUPPORTS IS 4"
- ATTACH STEEL COMPOSITE FLOOR DECK TO SUPPORTS WITH 5/8" ARC PUDDLE WELDS AT 12" O.C. MECHANICAL FASTENERS EITHER POWDER ACTUATED, PNEUMATICALLY DRIVEN, OR SCREWS MAY BE USED IN LIEU OF WELDING PROVIDED THEY ARE APPROVED.
- ATTACH STEEL ROOF DECK SIDELAPS WITH #10 TEK OR CRIMP/BUTTON PUNCH AT 36" O.C. OR MID-SPAN, WHICHEVER IS SMALLER.

CONTRACTOR AND/OR DECK MANUFACTURER SHALL FURNISH ALL NECESSARY POUR STOPS, COLUMN CLOSURES, END PLATES, AND COVER PLATES AS NEEDED.

**FOUNDATION PLAN** ①  
SCALE: 1/4" = 1'-0"

**HVAC OPENINGS** ④  
SCALE: 1/4" = 1'-0"



**COPYRIGHT 2017**  
THIS DRAWING HAS BEEN PREPARED BY SUMMIT HOMES, OR UNDER THEIR DIRECT SUPERVISION AS AN INSTRUMENT OF SERVICE AND IS INTENDED FOR USE ONLY ON THIS PROJECT. ALL DRAWINGS, SPECIFICATIONS, AND DESIGNS, INCLUDING THE OVERALL LAYOUT, FORM, AND COMPOSITION OF SPACES ARE PROTECTED BY COPYRIGHT. REGISTERED TO CPG, INC. ANY REPRODUCTION, USE, OR DISCLOSURE OF THE INFORMATION CONTAINED HEREIN WITHOUT THE WRITTEN CONSENT FROM CPG, INC. DBA SUMMIT HOMES EXCEPT AS REQUIRED FOR BIDDING AND CONSTRUCTION OF THIS PROJECT IS STRICTLY PROHIBITED.

**PRESCOTT MASTER PLAN**  
CREEKSIDE AT RAINTREE #20  
4417 SW NAUTILUS PL  
LEE'S SUMMIT, MO

**PROFESSIONAL SEAL:**  
BRADLEY A. HAYES  
REGISTERED PROFESSIONAL ENGINEER  
STATE OF MISSOURI  
LICENSE NO. 231000903

RESIDENTIAL ENGINEERING SERVICES, LLC IS RESPONSIBLE FOR STRUCTURAL SPECIFICATIONS ONLY. ARCHITECTURAL PLANS WERE PRODUCED BY OTHERS.  
RESIDENTIAL ENGINEERING SERVICES, LLC  
600 SW JEFFERSON SUITE 300  
LEE'S SUMMIT, MO 64063  
816-399-4901

ISSUE DATE:  
09.03.20

SHEET NUMBER:  
**A3**



**\*\*ALL INTERIOR NON-LOAD BEARING, NON-BRACED, NON-CABINET WALLS ARE ALLOWED AT 24" OC.**

NOTE:

ALL CONSTRUCTION SHALL CONFORM TO 2018 INTERNATIONAL RESIDENTIAL CODE OR ATTACHED ENGINEER SPECIFICATIONS WHERE APPLICABLE.

ALL UNMARKED HEADERS SHALL BE A MINIMUM #2 DOUGLAS FIR LARCH (2) 2 X 10 ON LOAD BEARING WALLS.

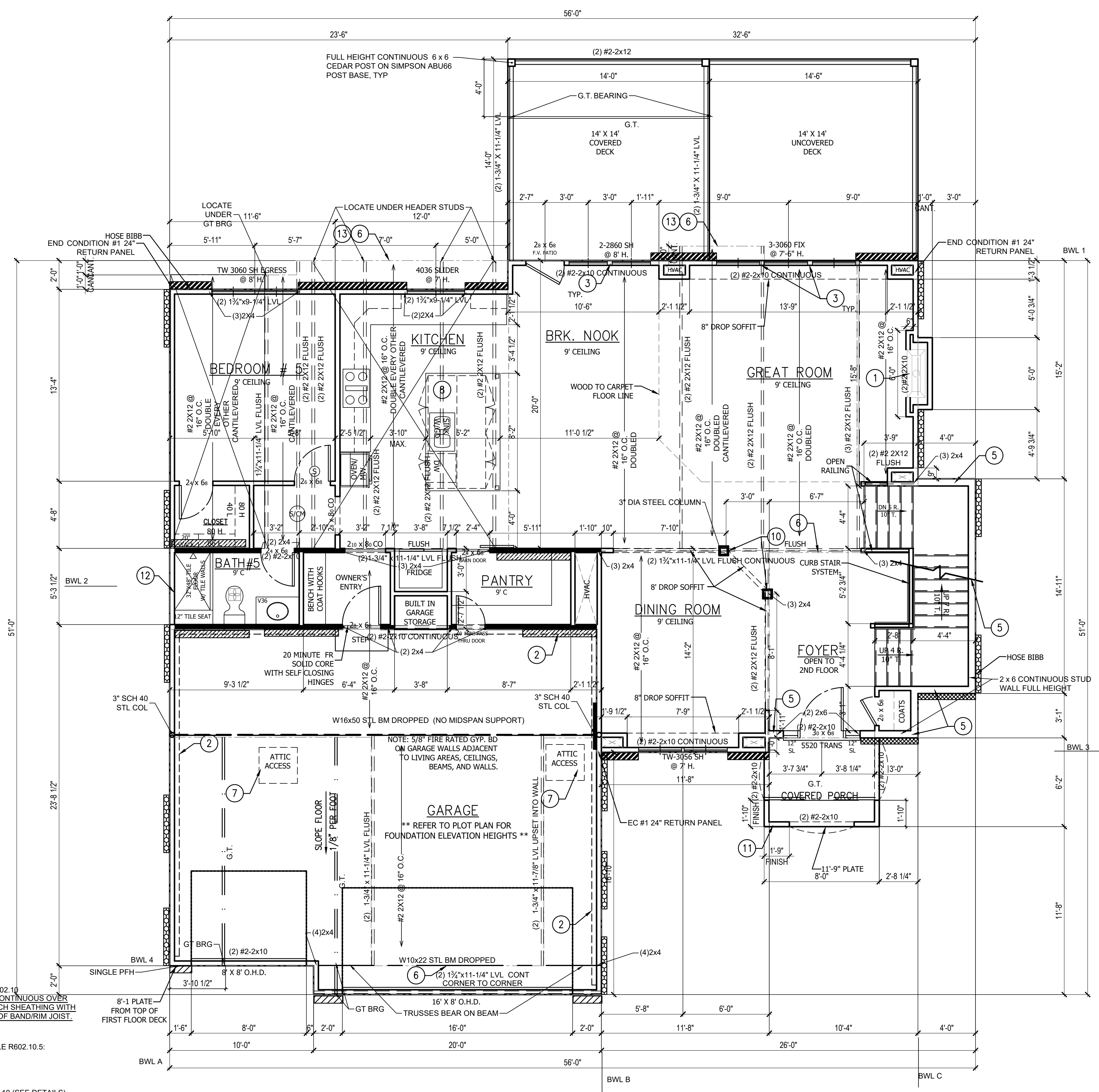
DETAILS AND NOTES:  
 BASEMENT EGRESS WINDOWS ARE TO COMPLY WITH IRC R310.2.  
 WINDOW FALL PROTECTION REQUIREMENTS TO COMPLY WITH SECTION R512.2.  
 STAIRS SHALL COMPLY WITH IRC R311.7. THE MAXIMUM RISER HEIGHT OF STAIRWAYS SHALL NOT EXCEED 7-3/4" AND THE TREADS SHALL PROVIDE A MINIMUM TREAD DEPTH OF 10" (IRC 2018 R311.7.5.1).  
 SELF CLOSING DEVICES ARE REQUIRED FOR GARAGE TO DWELLING SEPARATION DOORS.  
 STEEL COLUMNS WILL BE A MINIMUM OF SCHEDULE 40.

ENERGY REQUIREMENTS SHALL CONFORM TO THE IRC CHAPTER 11.  
 SECURITY SHALL CONFORM TO IRC R326/KCBRC.  
 AN ACCESSIBLE CONNECTION POINT WILL BE PROVIDED TO A 20 FOOT CONCRETE ENCASED ELECTRODE (FOOTING REBAR) FOR THE ELECTRICAL SERVICE GROUNDING ELECTRODE CONDUCTOR (UFER GROUND).  
 CARBON MONOXIDE DETECTORS WILL BE PROVIDED IN ACCORDANCE WITH IRC SECTION R315.  
 THE BUILDING THERMAL ENVELOPE IS REQUIRED TO BE SEALED (2018 IRC SECTION N102.4.1 AND TABLE N102.4.1.1).  
 DUCTS, AIR HANDLERS, FILTER BOXES AND BUILDING CAVITIES USED AS DUCTS SHALL BE SEALED (2018 IRC SECTION N103.2.2).

FLOOR PLANS:  
 LEDGERS (FLOOR AND CEILING) SHALL BE IN ACCORDANCE WITH IRC 507.  
 ALL CANTILEVERS SHALL HAVE AT LEAST A 3:1 BACK SPAN. A MINIMUM OF DOUBLE JOIST UNDER EACH BEARING WALL IS REQUIRED.

ALL WALLS UNDER 12' SHALL BE DOUGLAS FIR LARCH #2 2X4 STUDS AT 16" O.C. FULL HEIGHT CONTINUOUS (UNLESS OTHERWISE NOTED).

ALL WALLS 12' AND OVER SHALL BE DOUGLAS FIR #2 (M-12) LUMBER 2X6 STUDS AT 16" O.C. FULL HEIGHT CONTINUOUS (UNLESS OTHERWISE NOTED).



- BRACING METHODS**
- EXTERIOR BRACING CS-PF PER IRC R602.10
  - EXTERIOR BRACING WSP PER IRC R602.10 (SEE DETAILS)
  - CONTINUOUSLY SHEATHED EXTERIOR WALL BRACING 15/32" PANEL THICKNESS OSB WITH 24/0 STRUCTURAL PANEL SPAN RATING. 1-3/8" MIN PEN, 80 FASTENERS AT 2' FOR PANEL EDGES AND 12" IN FIELD. INSTALL BLOCKING AT BASE, MIDTHIGHT AND TOP OF WINDOW
  - EXTERIOR BRACING PFH PER IRC R602.10.5
  - INTERIOR LOAD BEARING WALL (EXTERIOR WALLS ARE ASSUMED LOAD BEARING)

IRC TABLE N102.1.2 (R402.1.2) INSULATION AND FENESTRATION REQUIREMENTS BY COMPONENT (PARTIAL)

| CLIMATE ZONE    | FENESTRATION U-FACTOR* | SKYLIGHT* U-FACTOR | GLAZED FENESTRATION SHGC** | CEILING R-VALUE | WOOD FRAME WALL R-VALUE | MASS WALL R-VALUE | FLOOR R-VALUE | BASEMENT WALL R-VALUE | SLAB R-VALUE & DEPTH | CRAWL SPACE WALL R-VALUE |
|-----------------|------------------------|--------------------|----------------------------|-----------------|-------------------------|-------------------|---------------|-----------------------|----------------------|--------------------------|
| 4 EXCEPT MARINE | .32                    | .55                | .40                        | 49              | 20 DR 13+5              | 8/13              | 19            | 10/13                 | 10, 2 FT             | 10/13                    |

MAIN FLOOR PLAN 1  
 SCALE: 1/4" = 1'-0"

**FLOOR PLAN NOTES**

1. DIRECT VENT FIREPLACE- INSTALL PER MANUFACTURERS RECOMMENDATIONS. FIREPLACE PLATFORM DIMENSIONS 7 3/4" TALL, 37" WIDE AND 16" DEEP. INSTALL INSULATION AND AIR BARRIER BEHIND PLATFORM.
2. EXPOSED TOP OF FOUNDATION WALL
3. 3 STUDS BETWEEN WINDOW UNITS
4. NOT USED
5. 2x6 STUDS AT 16" O.C.
6. LINE OF FLOOR ABOVE
7. 1'-10"x3' MINIMUM ATTIC ACCESS WITH 3/4" BACKER BOARD AND 2 LATCHES
8. 24" CABINET + 24" CABINETS + 12" OVERHANG- FLAT ISLAND. VERIFY LOCATION WITH BUILDER. DISTANCE BETWEEN STOVE/CABINETS AND ISLAND- 3'-10" MAX.
9. NOT USED
10. 8" SQUARE COLUMN
11. 2X4 STUD WALL WITH STONE ON FRONT AND STUCCO ON THE SIDES ABOVE FINISHED PORCH. ALLOW MINIMUM 2" ON ALL SIDES FOR STONE AND STUCCO TO FIT WITHIN BOUNDARY OF STOOP CONCRETE. SEE PLAN FOR SIZE.
12. SIX SIDED ASSEMBLY INCLUDING THERMOPLY ON EXTERIOR WALL TO 2" ABOVE TOP OF SHOWER PAN. SEE FRAMING SPECIFICATIONS FOR DETAILS.
13. INSULATE CANTILEVER AS REQUIRED PRIOR TO BLOCKING.

**GENERAL NOTES:**

- A. WINDOWS TO COMPLY WITH IRC R312.2 FOR FALL PROTECTION
- B. ALL EXTERIOR WALLS, INTERIOR BEARING WALLS, AND INTERIOR BRACED WALLS ARE AT 16" O.C. UNLESS NOTED OTHERWISE.
- C. ROOF AND CEILING FRAMING ARE PRE-ENGINEERED WOOD TRUSSES UNLESS NOTED OTHERWISE.
- D. LOCATE CARBON MONOXIDE DETECTORS ALONG SIDE SMOKE DETECTORS OR PROVIDE A COMBINATION UNIT.
- E. DIMENSIONAL LUMBER IS LABELED PER INDUSTRY STANDARD TERMINOLOGY. ACTUAL LUMBER SIZING IS EXPECTED TO VARY PER VENDOR.
- F. HVAC DUCTWORK RUNNING THROUGH ATTIC SPACE TO BE HUNG FROM ABOVE TO ALLOW COMPLETE INSULATION SURROUND.
- G. PROVIDE BLOCKING AT ALL CEILING JUMPS FOR INSULATION.
- H. 2X6 EXTERIOR WALL OVER 12' SHALL BE DOUGLAS FIR #2.
- I. SMOKE AND CARBON MONOXIDE DETECTORS SHOWN ON PLANS ARE TO BE CONSIDERED RECOMMENDATIONS ONLY. FINAL PLACEMENT IS TO BE DETERMINED BY MUNICIPAL REQUIREMENTS.
- J. WINDOW SIZES ARE WRITTEN IN FEET AND INCHES PER INDUSTRY STANDARDS. EX: 3050 SH= 3'-0" X 5'-0" SINGLE HUNG, 3066 FIX= 3'-0" X 6'-6" FIXED.

CPG DBA  
  
**SUMMIT HOMES**  
 120 SE 30TH ST.  
 LEE'S SUMMIT, MO 64082  
 816-246-6700

COPYRIGHT 2017  
 THIS DRAWING HAS BEEN PREPARED BY SUMMIT HOMES, OR UNDER THEIR DIRECT SUPERVISION AS AN INSTRUMENT OF SERVICE AND IS INTENDED FOR USE ONLY ON THIS PROJECT. ALL DRAWINGS, SPECIFICATIONS, AND DESIGNS INCLUDING THE OVERALL LAYOUT, FORM, AND COMPOSITION OF SPACES ARE PROTECTED BY COPYRIGHT REGISTERED TO CPG, INC. ANY REPRODUCTION, USE, OR DISCLOSURE OF THE INFORMATION CONTAINED HEREIN WITHOUT THE WRITTEN CONSENT FROM CPG, INC. DBA SUMMIT HOMES EXCEPT AS REQUIRED FOR BIDDING AND CONSTRUCTION OF THIS PROJECT IS STRICTLY PROHIBITED.

**PRESCOTT**  
 MASTER PLAN  
 CREEKSIDE AT RAINTREE #20  
 4417 SW NAUTILUS PL  
 LEE'S SUMMIT, MO

PROFESSIONAL SEAL:  
  
 RESIDENTIAL ENGINEERING SERVICES, LLC IS RESPONSIBLE FOR STRUCTURAL SPECIFICATIONS ONLY. ARCHITECTURAL PLANS WERE PRODUCED BY OTHERS.  
 RESIDENTIAL ENGINEERING SERVICES, LLC  
 600 SW JEFFERSON SUITE 300  
 LEE'S SUMMIT, MO 64063  
 816-399-4901

ISSUE DATE:  
 09.03.20

SHEET NUMBER:  
**A4**



**\*\*ALL INTERIOR NON-LOAD BEARING, NON-BRACED, NON-CABINET WALLS ARE ALLOWED AT 24" O.C.**

**NOTE:**

ALL CONSTRUCTION SHALL CONFORM TO 2018 INTERNATIONAL RESIDENTIAL CODE OR ATTACHED ENGINEER SPECIFICATIONS WHERE APPLICABLE.

ALL UNMARKED HEADERS SHALL BE A MINIMUM #2 DOUGLAS FIR LARCH (2) 2 X 10 ON LOAD BEARING WALLS.

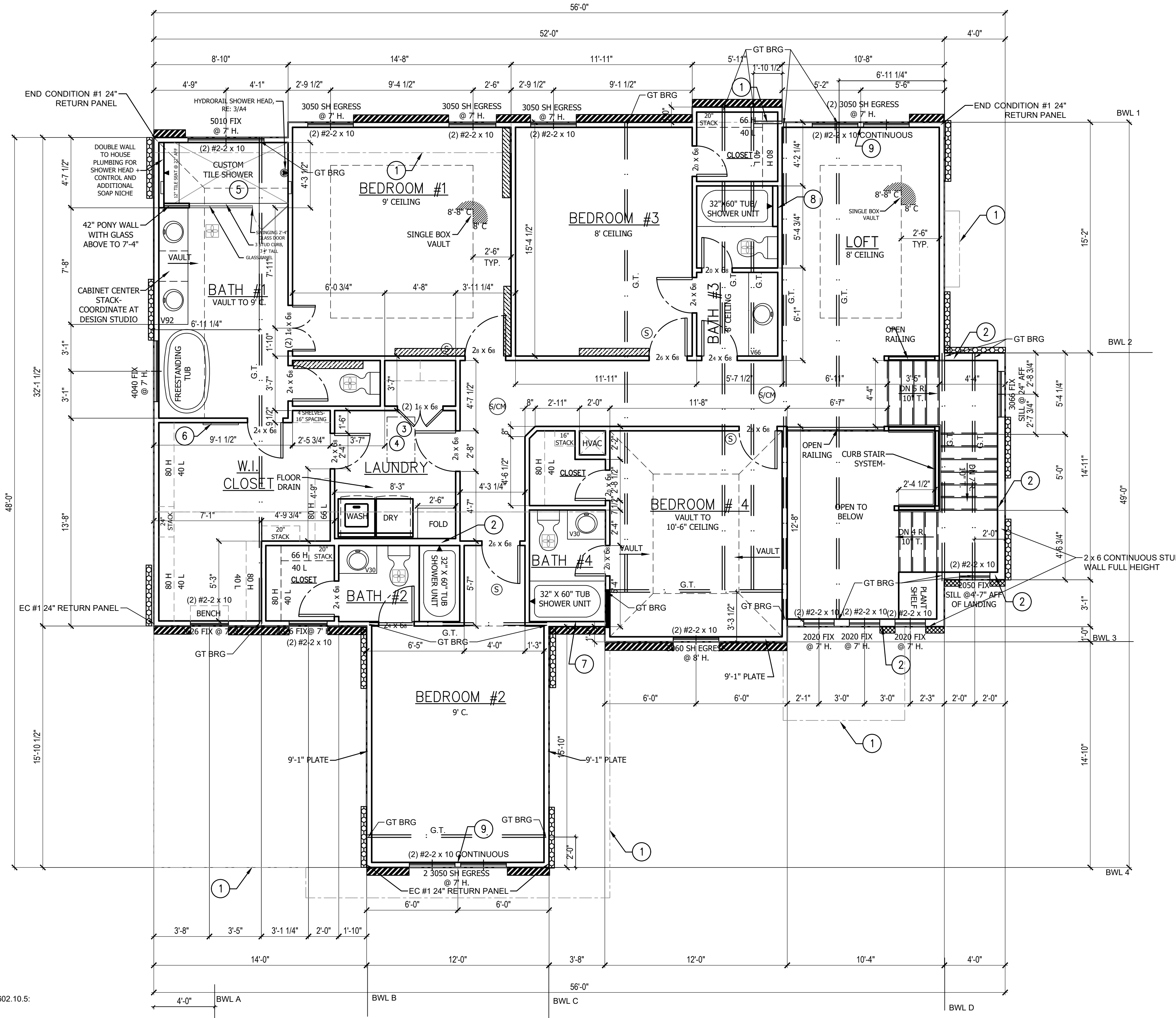
**DETAILS AND NOTES:**  
 BASEMENT EGRESS WINDOWS ARE TO COMPLY WITH IRC R310.2.  
 WINDOW FALL PROTECTION REQUIREMENTS TO COMPLY WITH SECTION R612.2.  
 STAIRS SHALL COMPLY WITH IRC R311.7. THE MAXIMUM RISER HEIGHT OF STAIRWAYS SHALL NOT EXCEED 7-3/4" AND THE TREADS SHALL PROVIDE A MINIMUM TREAD DEPTH OF 10" (IRC 2018 R311.7.5.1).  
 SELF-CLOSING DEVICES ARE REQUIRED FOR GARAGE TO DWELLING SEPARATION DOORS.  
 STEEL COLUMNS WILL BE A MINIMUM OF SCHEDULE 40.

ENERGY REQUIREMENTS SHALL CONFORM TO THE IRC CHAPTER 11.  
 SECURITY SHALL CONFORM TO IRC R326/KCBCRC. AN ACCESSIBLE CONNECTION POINT WILL BE PROVIDED TO A 20 FOOT CONCRETE ENCASED ELECTRODE (FOOTING REBAR) FOR THE ELECTRICAL SERVICE GROUNDING ELECTRODE CONDUCTOR (UFER GROUND).  
 CARBON MONOXIDE DETECTORS WILL BE PROVIDED IN ACCORDANCE WITH IRC SECTION R315.  
 THE BUILDING THERMAL ENVELOPE IS REQUIRED TO BE SEALED (2018 IRC SECTION N1102.4.1 AND TABLE N1102.4.1.1). DUCTS, AIR HANDLERS, FILTER BOXES AND BUILDING CAVITIES USED AS DUCTS SHALL BE SEALED (2018 IRC SECTION N1103.2.2).

**FLOOR PLANS:**  
 LEDGERS (FLOOR AND CEILING) SHALL BE IN ACCORDANCE WITH IRC 507.  
 ALL CANTILEVERS SHALL HAVE AT LEAST A 3:1 BACK SPAN. A MINIMUM OF DOUBLE JOIST UNDER EACH BEARING WALL IS REQUIRED.

ALL WALLS UNDER 12' SHALL BE DOUGLAS FIR LARCH #2 2X4 STUDS AT 16" O.C. FULL HEIGHT CONTINUOUS (UNLESS OTHERWISE NOTED).

ALL WALLS 12' AND OVER SHALL BE DOUGLAS FIR #2 (M-12) LUMBER 2x6 STUDS AT 16" O.C. FULL HEIGHT CONTINUOUS (UNLESS OTHERWISE NOTED).



**BRACING METHODS**

INTERIOR BRACING LIB PER IRC R602.10  
 MINIMUM LIB LENGTH PER 2018 IRC TABLE R602.10.5:  
 55" - 8' TALL WALL HEIGHT  
 62" - 9' TALL WALL HEIGHT  
 69" - 10' TALL WALL HEIGHT

EXTERIOR BRACING CS-WSP PER IRC R602.10 (SEE DETAILS)  
 EXTERIOR BRACING WSP PER IRC R602.10 (SEE DETAILS)

CONTINUOUSLY SHEATHED EXTERIOR WALL BRACING 15/32" PANEL THICKNESS OSB WITH 24/0 STRUCTURAL PANEL SPAN RATING. 1-3/8" MIN PEN, 8d FASTENERS AT 2" FOR PANEL EDGES AND 12" IN FIELD. INSTALL BLOCKING AT BASE, MIDHEIGHT AND TOP OF WINDOW

| IRC TABLE N1102.1.2 (R402.1.2) INSULATION AND FENESTRATION REQUIREMENTS BY COMPONENT (PARTIAL) |                        |                    |                            |                 |                         |                   |               |                        |                       |                          |
|------------------------------------------------------------------------------------------------|------------------------|--------------------|----------------------------|-----------------|-------------------------|-------------------|---------------|------------------------|-----------------------|--------------------------|
| CLIMATE ZONE                                                                                   | FENESTRATION U-FACTOR* | SKYLIGHT U-FACTOR* | GLAZED FENESTRATION SHGG** | CEILING R-VALUE | WOOD FRAME WALL R-VALUE | MASS WALL R-VALUE | FLOOR R-VALUE | BASEMENT* WALL R-VALUE | SLAB* R-VALUE & DEPTH | CRAWL SPACE WALL R-VALUE |
| 4 EXCEPT MARINE                                                                                | .32                    | .55                | .40                        | 49              | 20 DR 13+5              | 8/13              | 19            | 10/13                  | 10.2 FT               | 10/13                    |

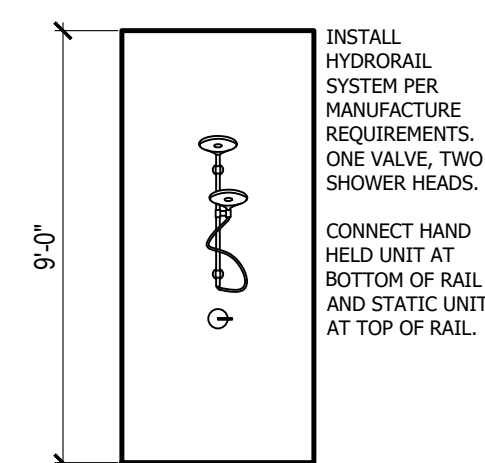
UPPER LEVEL PLAN ①  
 SCALE: 1/4" = 1'-0"

**FLOOR PLAN NOTES**

- LINE OF FLOOR BELOW
- 2x6 STUD WALL
- 1'-10"x3' MINIMUM ATTIC ACCESS WITH 3/4" BACKER BOARD AND 2 LATCHES
- BUMP TRUSSES FOR ATTIC AND HVAC ACCESS
- CUSTOM SHOWER WITH TILE WALLS AND TILE BASE.
- FRAMED MIRROR
- SIX SIDED ASSEMBLY INCLUDING THERMOPLY ON EXTERIOR WALL TO 2" ABOVE TOP OF SHOWER/TUB DECK. SEE FRAMING SPECIFICATIONS FOR DETAILS.
- DOUBLE 2x4 STUD WALL
- 3 STUDS BETWEEN WINDOW UNITS

**GENERAL NOTES:**

- WINDOWS TO COMPLY WITH IRC R312.2 FOR FALL PROTECTION
- ALL EXTERIOR WALLS, INTERIOR BEARING WALLS, AND INTERIOR BRACED WALLS ARE AT 16" O.C. UNLESS NOTED OTHERWISE.
- ROOF AND CEILING FRAMING ARE PRE-ENGINEERED WOOD TRUSSES UNLESS NOTED OTHERWISE.
- LOCATE CARBON MONOXIDE DETECTORS ALONG SIDE SMOKE DETECTORS OR PROVIDE A COMBINATION UNIT.
- DIMENSIONAL LUMBER IS LABELED PER INDUSTRY STANDARD TERMINOLOGY. ACTUAL LUMBER SIZING IS EXPECTED TO VARY PER VENDOR.
- HVAC DUCTWORK RUNNING THROUGH ATTIC SPACE TO BE HUNG FROM ABOVE TO ALLOW COMPLETE INSULATION SURROUND.
- PROVIDE BLOCKING AT ALL CEILING JUMPS FOR INSULATION.
- 2X6 EXTERIOR WALL OVER 12' SHALL BE DOUGLAS FIR #2.
- SMOKE AND CARBON MONOXIDE DETECTORS SHOWN ON PLANS ARE TO BE CONSIDERED RECOMMENDATIONS ONLY. FINAL PLACEMENT IS TO BE DETERMINED BY MUNICIPAL REQUIREMENTS.
- WINDOW SIZES ARE WRITTEN IN FEET AND INCHES PER INDUSTRY STANDARDS. EX: 3050 SH= 3'-0" X 5'-0" SINGLE HUNG, 3066 FIX= 3'-0" X 6'-6" FIXED.



HYDRORAIL SHOWER SYSTEM ③  
 SCALE: NTS

CPG DBA  
  
**SUMMIT HOMES**  
 120 SE 30TH ST.  
 LEE'S SUMMIT, MO 64082  
 816-246-6700

**COPYRIGHT 2017**  
 THIS DRAWING HAS BEEN PREPARED BY SUMMIT HOMES, OR UNDER THEIR DIRECT SUPERVISION AS AN INSTRUMENT OF SERVICE AND IS INTENDED FOR USE ONLY ON THIS PROJECT. ALL DRAWINGS, SPECIFICATIONS, AND DESIGNS, INCLUDING THE OVERALL LAYOUT, FORM, AND COMPOSITION OF SPACES ARE PROTECTED BY COPYRIGHT REGISTERED TO CPG, INC. ANY REPRODUCTION, USE, OR DISCLOSURE OF THE INFORMATION CONTAINED HEREIN WITHOUT THE WRITTEN CONSENT FROM CPG, INC. OR DBA SUMMIT HOMES EXCEPT AS REQUIRED FOR BIDDING AND CONSTRUCTION OF THIS PROJECT IS STRICTLY PROHIBITED.

**PRESCOTT MASTER PLAN**  
 CREEKSIDE AT RAINTREE #20  
 4417 SW NAUTILUS PL  
 LEE'S SUMMIT, MO

**PROFESSIONAL SEAL:**  
  
 RESIDENTIAL ENGINEERING SERVICES, LLC IS RESPONSIBLE FOR STRUCTURAL SPECIFICATIONS ONLY. ARCHITECTURAL PLANS WERE PRODUCED BY OTHERS.  
 RESIDENTIAL ENGINEERING SERVICES, LLC  
 600 SW JEFFERSON SUITE 300  
 LEE'S SUMMIT, MO 64063  
 816-399-4901

**ISSUE DATE:**  
 09.03.20

**SHEET NUMBER:**

**A5**



**TRUSS ROOF NOTES: (BY OTHERS)**

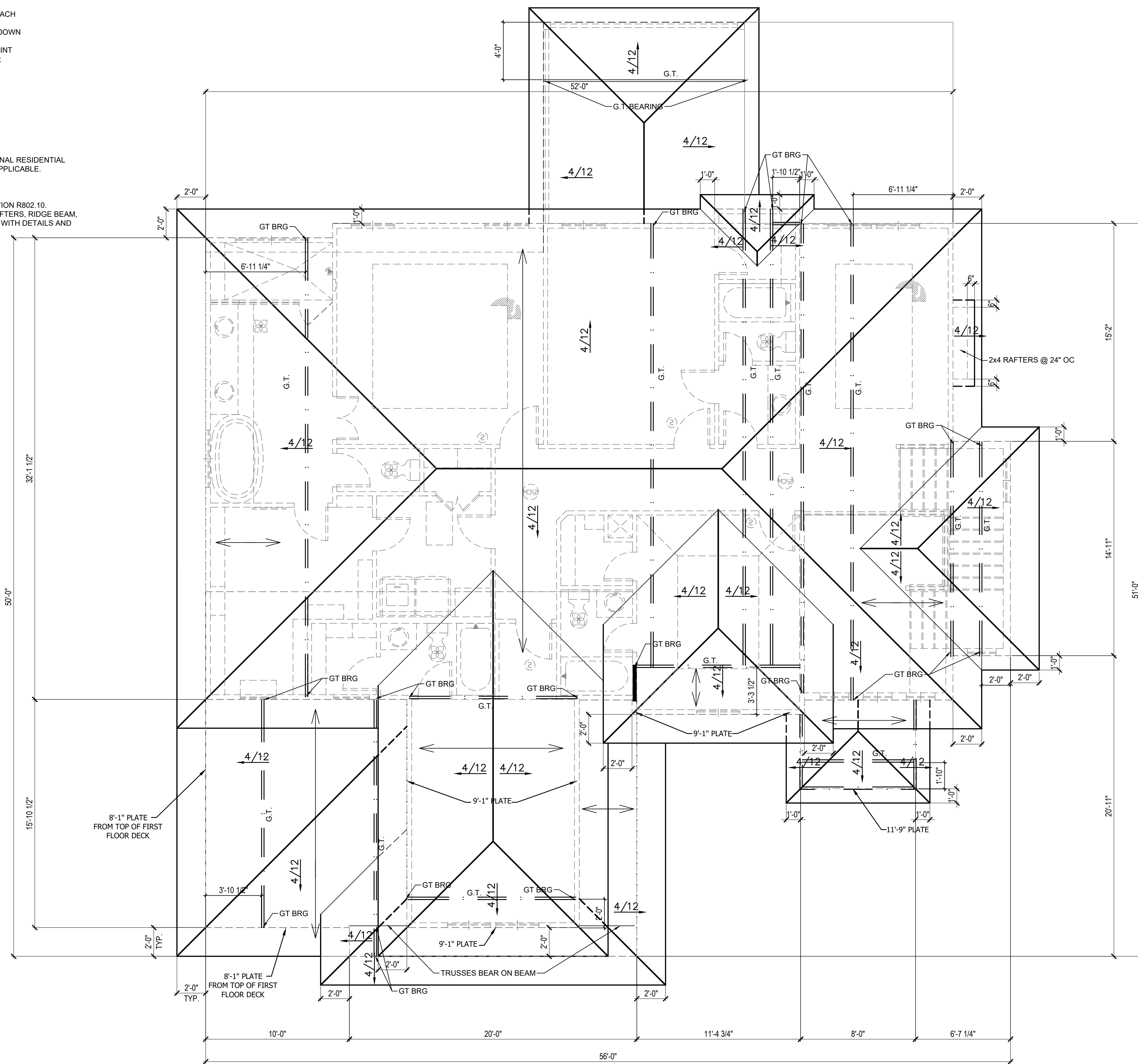
- DESIGNED FOR LIGHT ROOF COVERING  
TOP CHORD:  
LIVE LOAD/SNOW LOAD (PSF): 25  
DEAD LOAD (PSF): 10  
BOTTOM CHORD:  
DEAD LOAD (PSF): 10
- ALL EXTERIOR AND/OR LOAD BEARING WALL HEADERS SHALL BE MIN. (2) #2 x 10 UNLESS OTHERWISE NOTED.
- CONSULT ENGINEER IF TRUSSES BEAR ON INTERIOR WALLS SHOWN AS NON-LOAD BEARING ON APPROVED PRINTS.
- MIN. STUD PACK OF (4) 2 x 4 OR (4) 2 x 6 DOUGLAS FIR LARCH #2 (DEPENDING ON WALL THICKNESS) BELOW EACH BEARING POINT OF EACH GIRDER TRUSS, UNLESS OTHERWISE NOTED. STUD PACKS SHALL BE CARRIED DOWN TO FOUNDATION OR LOAD SUPPORTING MEMBER.
- PROVIDE 2x SOLID BLOCKING SUPPORT BELOW ALL POINT LOADS CONTINUOUS TO BEARING STRUCTURE AND/OR FOUNDATION BELOW.
- ROOF IS ENGINEERED TO COMPLY WITH IRC 802

- ← = ROOF TRUSS FRAMING DIRECTION
- "G.T." = GIRDER TRUSS LOCATION
- = INTERIOR LOAD BEARING WALL

**NOTE:**

ALL CONSTRUCTION SHALL CONFORM TO 2018 INTERNATIONAL RESIDENTIAL CODE OR ATTACHED ENGINEER SPECIFICATIONS WHERE APPLICABLE.

**ROOF:**  
ROOF IS DESIGNED FOR 20 PSF SNOW LOAD.  
WOOD TRUSSES SHALL BE IN ACCORDANCE WITH IRC SECTION R802.10.  
CEILING JOIST OR RAFTER TIE CONNECTIONS BETWEEN RAFTERS, RIDGE BEAM, REQUIRED COLLAR TIES OR RIDGE STRAPS SHALL COMPLY WITH DETAILS AND IRC SECTION R802, R802.3, R802.3.1, R802.11.



ROOF PLAN ①  
SCALE: 1/4" = 1'-0"

**GENERAL NOTES:**

- ROOF AND CEILING FRAMING ARE PRE-ENGINEERED ROOF TRUSSES
- ASPHALT SHINGLES MIN 2/12. FLASH ALL PENETRATIONS AND INTERSECTIONS
- VENT EACH ENCLOSED ATTIC SPACE. NET AREA OPENING = 1/50TH OF VENTED AREA OR 1/300TH IF 580% OF VENTING NEAR TOP
- BUILD CRICKET VALLEY AWAY FROM INTERSECTION FOR POSITIVE DRAINAGE.
- DIMENSIONAL LUMBER IS LABELED PER INDUSTRY STANDARD TERMINOLOGY. ACTUAL LUMBER SIZING IS EXPECTED TO VARY PER VENDOR.
- HVAC DUCTWORK RUNNING THROUGH ATTIC SPACE TO BE HUNG FROM ABOVE TO ALLOW COMPLETE INSULATION SURROUND.
- PROVIDE BLOCKING AT ALL CEILING JUMPS FOR INSULATION.
- PROVIDE FOAM INSULATION AT EXTERIOR WHERE MAIN LEVEL ROOFLINE MEETS UPPER LEVEL WALLS.

CPG DBA



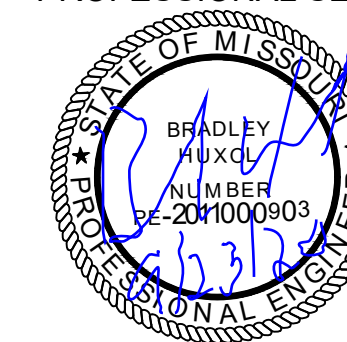
120 SE 30TH ST.  
LEE'S SUMMIT, MO 64082  
816-246-6700

**COPYRIGHT 2017**

THIS DRAWING HAS BEEN PREPARED BY SUMMIT HOMES, OR UNDER THEIR DIRECT SUPERVISION AS AN INSTRUMENT OF SERVICE AND IS INTENDED FOR USE ONLY ON THIS PROJECT. ALL DRAWINGS, SPECIFICATIONS, AND DESIGN INCLUDING THE OVERALL LAYOUT, FORM, AND COMPOSITION OF SPACES ARE PROTECTED BY COPYRIGHT REGISTERED TO CPG, INC. ANY REPRODUCTION, USE, OR DISCLOSURE OF THE INFORMATION CONTAINED HEREIN WITHOUT THE WRITTEN CONSENT FROM CPG, INC. OR DBA SUMMIT HOMES EXCEPT AS REQUIRED FOR BIDDING AND CONSTRUCTION OF THIS PROJECT IS STRICTLY PROHIBITED.

**PRESCOTT**  
MASTER PLAN  
CREEKSIDE AT RAINTREE #20  
4417 SW NAUTILUS PL  
LEE'S SUMMIT, MO

**PROFESSIONAL SEAL:**



RESIDENTIAL ENGINEERING SERVICES, LLC IS RESPONSIBLE FOR STRUCTURAL SPECIFICATIONS ONLY. ARCHITECTURAL PLANS WERE PRODUCED BY OTHERS.  
RESIDENTIAL ENGINEERING SERVICES, LLC  
600 SW JEFFERSON SUITE 300  
LEE'S SUMMIT, MO 64063  
816-399-4901

ISSUE DATE:  
09.03.20

SHEET NUMBER:

**A6**



**GENERAL NOTES:**

PLANS SHALL COMPLY WITH THE 2018 INTERNATIONAL RESIDENTIAL CODE (IRC) WITH AMENDMENTS AS ADOPTED BY THE APPROPRIATE GOVERNING JURISDICTION. THE CONTRACTOR SHALL NOTIFY THE ENGINEER OF RECORD IF ANY CHANGES OR DEVIATIONS FROM THE PLAN ARE MADE DURING CONSTRUCTION. THE ENGINEER OF RECORD MAY REQUIRE REVISED DRAWING OR CALCULATIONS AT ITS DISCRETION.

IF DISCREPANCIES ARE IDENTIFIED THE MOST CONSERVATIVE SPECIFICATION SHALL APPLY.

**LOADING**

**DEAD**

Table with 2 columns: Description (e.g., LIGHT ROOF, HEAVY ROOF, ROOF + CEILING) and Load Value (e.g., 10 PSF, +10 PSF, 15 PSF).

**LIVE**

Table with 2 columns: Description (e.g., ROOF LIVE LOAD, FLOOR LIVE LOAD, GARAGE STORAGE) and Load Value (e.g., 15 PSF, 40 PSF, 50 PSF).

**SNOW**

Table with 2 columns: Description (e.g., GROUND SNOW LOAD) and Load Value (e.g., 20 PSF).

**WIND**

Table with 2 columns: Description (e.g., ULTIMATE DESIGN WIND SPEED VELOCITY) and Value (e.g., 115 MPH).

**SOIL AND SITE ASSUMPTIONS:**

- 1. FOUNDATION DESIGN ASSUME A MINIMUM SOIL BEARING PRESSURE FOR THE SITE OF 2,000 PSF. CONTRACTOR TO VISUALLY INSPECT SITE OR PROVIDE GEOTECHNICAL INVESTIGATION TO VERIFY MINIMUM ACCEPTABLE SOIL CONDITIONS SW, SP, SM, SC, GM, AND GX AS DEFINED PER IRC TABLE R301.5. THE CONTRACTOR IS RESPONSIBLE FOR ANY SOIL CONDITION THAT DOES NOT MEET THE MINIMUM REQUIREMENTS AND CONTACTING THE ENGINEER OF RECORD.
- 2. PROVIDE A MINIMUM SOIL COVER OF 36 INCHES MEASURED FROM THE BOTTOM OF CONCRETE ON ALL FOUNDATIONS.
- 3. ACCESSORY STRUCTURES WITH AN EAVE HEIGHT LESS THAN 10'-0" AND AN AREA LESS THAN 600 FT^2 MAT PROVIDE A MINIMUM SOIL COVER OF 12 INCHES MEASURED FROM THE BOTTOM OF CONCRETE.
- 4. SITE GRADING SHALL PROVIDE POSITIVE DRAINAGE AWAY FROM THE STRUCTURE AT A MINIMUM OF 0.5%.
- 5. LATERAL SOIL PRESSURES: ACTIVE 30 PSF, AT-REST 60 PSF, PASSIVE 150 PSF

**FOUNDATION NOTES:**

**FOUNDATION ANCHORAGE (IRC 403.1.6)**

SILL PLATES SHALL BE BOLTED TO THE FOUNDATION WALL WITH A MINIMUM 1/2" DIAMETER ANCHOR BOLTS EMBEDDED AT LEAST 7" INTO THE CONCRETE. BOLTS SHALL BE SPACED NO GREATER THAN 6' O.C. THERE SHALL BE A MINIMUM OF TWO BOLTS PER PLATE SECTION, WITH A BOLT PLACED WITHIN 12" AND NOT CLOSER THAN 7 BOLT DIAMETERS, OF THE END OF EACH PLATE SECTION. A PROPERLY SIZED NUT AND WASHER SHALL BE TIGHTENED ON EACH BOLT TO THE PLATE. (NOTE: 7" EMBEDMENT + 1-1/2" SILL PLATE + 3/4" FOR NUT AND WASHER EXCEEDS A 9" LONG BOLT.)

**WALL BRACING METHODS PER IRC R602 MAY REQUIRE ADDITIONAL ANCHORAGE.**

CONCRETE SLABS PLACED ON FILL MATERIAL WHICH EXCEEDS 24" OF COMPACTED GRANULATED MATERIAL (SAND OR GRAVEL) OR 8" OF EARTH: THIS MAY OCCUR AT GARAGE FLOOR FILLS, OR OVER EXCAVATED AREAS UNDER FLOOR SLABS. THE DESIGN AND INSTALLATION DETAILS IN THIS DOCUMENT (WHERE APPLICABLE BASED ON SIZE AND SPACING LIMITATIONS) MAY BE USED IN LIEU OF PROVIDING A SEPARATE DESIGN. STRUCTURAL SLABS EXCEEDING THE SPANS AND CONDITIONS OF THE APPROVED DETAILS SHALL BE DESIGNED BY A PROFESSIONAL ENGINEER.

SLABS AT MAX 4' OVER-DIG ADJACENT TO FOUNDATION WALL: WHERE SOIL IS EXCAVATED FOR A MAXIMUM DIMENSION OF 4' HORIZONTALLY ADJACENT TO A FOUNDATION WALL, THE STANDARD OVER-DIG DETAIL MAY BE USED IN LIEU OF A COMPLETE STRUCTURAL SLAB. SEE 'TYPICAL FOOTING/FOUNDATION WALL/STANDARD SLAB AT MAX 4' OVER-DIG DIAGRAM FOR DETAILS.

**VAPOR RETARDER / BARRIER (IRC R506.2.3)**

A 6 MIL POLYETHYLENE OR APPROVED VAPOR RETARDER WITH JOINTS LAPPED A MINIMUM OF 6" IS REQUIRED BETWEEN THE CONCRETE FLOOR SLAB AND THE BASE COURSE OR PREPARED SUBGRADE. (NOT REQUIRED FOR GARAGE SLABS OR DETACHED ACCESSORY BUILDINGS)

**FOUNDATION AND LOT GRADING (IRC R401.3)**

GRADES SHALL BE SLOPED AWAY FROM THE FOUNDATION A MINIMUM OF 6" IN THE FIRST 10'. ALTERNATE APPROACHES MAY BE APPROVED IF THE ALTERNATE DESIGN IS EQUIVALENT IN EFFECTIVENESS AND PERFORMANCE, AND PROVIDES FOR POSITIVE SITE DRAINAGE.

**IRC R403.1.4**

- THE BOTTOM OF ALL FOOTINGS SHALL EXTEND NOT LESS THAN 36" BELOW GRADE FOR FROST PROTECTION.
- FOOTINGS FOR FREESTANDING ACCESSORY STRUCTURES WITH AN AREA OF 600 SF OR LESS AND AN EAVE HEIGHT OF 10' OR LESS SHALL EXTEND BELOW GRADE A MINIMUM OF 12".

**FOOTINGS:**

EXTERIOR WALLS, BEARING WALLS, COLUMN AND PIERS SHALL BE SUPPORTED ON CONTINUOUS SOLID MASONRY OR CONCRETE FOOTINGS. OR APPROVED STRUCTURAL SYSTEM TO SAFELY SUPPORT THE IMPOSED LOADS AND SHALL BE SIZED AND REINFORCED IN ACCORDANCE WITH THIS STANDARD OR SHALL BE ENGINEERED DESIGN. FOOTINGS UNDER FOUNDATION WALLS SHALL BE CONTINUOUS AROUND THE STRUCTURE AND FROM ONE LEVEL TO THE NEXT. THE CONTINUOUS TRANSITIONS BETWEEN FOOTINGS AT DIFFERENT LEVELS ENCLOSING USABLE SPACE SHALL BE MADE BY APPROVED SOLID JUMPS OR SUPPORT SYSTEMS TO PROVIDE SAFE SUPPORT OF THE STRUCTURE. SEE 'TYPICAL FOOTING/FOUNDATION WALL/STANDARD SLAB AT MAXIMUM 4' OVER-DIG AND 'FOOTING JUMP' DIAGRAMS FOR MORE DETAIL (PER KC, MO STANDARDS)

**CONCRETE**

- 1. ALL CONCRETE CONSTRUCTION SHOULD CONFORM TO ACI 318-11 AND THE 2018 INTERNATIONAL RESIDENTIAL CODE.
- 2. THE MINIMUM CONCRETE 28 DAY COMPRESSIVE STRENGTH SHALL BE AS SPECIFIED IN IRC TABLE R402.2.
- 3. CONCRETE MIX TO UTILIZE A MAXIMUM WATER-CEMENT MATERIALS RATIO OF 0.45 FOR ALL APPLICATIONS. ALL CONCRETE TO HAVE MAXIMUM 0.10 PERCENT WATER SOLUBLE CHLORIDE CONTENT BY WEIGHT OF CEMENT. ADMIXTURES SHALL NOT CONTAIN ANY CHLORIDES.
- 4. CONCRETE POURED AGAINST AN EXISTING SURFACE SHOULD BE ROUGHENED TO A MINIMUM 1/4 INCH AMPLITUDE.
- 5. REBAR CLEAR DISTANCE SHALL BE AS FOLLOWS: -CAST AGAINST AND PERMANENT CONTACT WITH GROUND 3 IN, -EXPOSED TO WEATHER OR IN CONTACT WITH GROUND 2 IN, -NOT EXPOSED TO WEATHER OR GROUND 1.5 IN
- 6. CONCRETE MIX DESIGN SHALL BE 6% (+/-1%) AIR-ENTRAINED FOR GARAGE SLABS, FOOTINGS, WALLS, OR FLATWORK EXPOSED TO WEATHER.
- 7. SHORING AND RESHORING: -SHORING AND SUPPORTING FORMWORK SHALL NOT BE REMOVED FROM HORIZONTAL MEMBERS BEFORE CONCRETE STRENGTH REACHES 70% OF STRENGTH DETERMINED BY COLUMNS OR 28 DAYS. -SHORING MAY NOT BE REMOVED SOONER THAN RECOMMENDED BY ASTM 374-04 SECTION 3.7.2.3.

**MINIMUM STANDARDS:**

CONCRETE SHALL BE 6% (+/- 1%) AIR-ENTRAINED FOR GARAGE SLABS AND FOR ALL LOCATION'S FOOTINGS, WALLS OR FLATWORK WHERE EXPOSED TO WEATHER. REBAR SHALL BE MINIMUM 60 KSI UNLESS NOTED OTHERWISE. REINFORCING BAR SHALL BE GRADE 60 MINIMUM.

**CONCRETE REINFORCEMENT STEEL**

- 1. REINFORCING STEEL SHALL CONFORM TO ASTM A615, GRADE 60.
- 2. SMOOTH BARS OR WELDED WIRE FABRIC SHALL CONFORM TO ASTM 185.
- 3. ALL REBAR LAP SPLICES SHALL BE CLASS B LAP SPLICES AS SHOWN ON THE LAP SPLICE SCHEDULE.
- 4. DEVELOPMENT LENGTH NOTED IS EQUAL TO 80% OF THE LENGTH NOTED IN THE LAP SPLICE SCHEDULE.
- 5. 90% HOOK SHOWN IN DRAWINGS SHALL BE STANDARD PER ACI 318-14 -STRAIGHT EXTENSION LENGTH = 12Xdbar, -BEND DIAMETER = 12Xdbar
- 6. LAP SPLICE SCHEDULE (SEE TABLE 1.1)
- 7. HOOKED DOWELS: 7.1. HOOKED DOWELS FROM FOUNDATIONS TO WALL SHALL BE PROVIDED TO MATCH VERTICAL WALL REINFORCING AND EXTENDED TO 3" CLEAR FROM BOTTOM OF FOUNDATION 7.2. HOOKED DOWELS MATCH SLAB REINFORCING FROM SLAB TO WALLS OR SLAB TO FOUNDATION
- 8. PROVIDE 2 - #5 BARS AROUND PERIMETER OF ALL SUSPENDED SLABS
- 9. HORIZONTAL WALL REINFORCING SHALL TERMINATE AT THE END OF THE WALL WITH A STANDARD HOOK
- 10. TOP AND BOTTOM HORIZONTAL REINFORCING SHALL BE PLACED 1-1/2" TO 2" FROM THE TOP AND BOTTOM OF THE WALL

**FOOTNOTES:**

- 1. WALL HEIGHT IS MEASURED FROM THE TOP OF THE WALL TO THE TOP OF THE FLOOR SLAB.
- 2. VERTICAL REINFORCEMENT FOR CONCRETE WALLS THAT ARE NOT FULL HEIGHT AND FOR REINFORCEMENT SPACED 24" O.C. MAY BE PLACED IN THE MIDDLE OF THE WALL. OTHER WALLS SHALL HAVE VERTICAL REINFORCEMENT PLACED AS FOLLOWS: A. 8" WALL - MINIMUM 5" FROM THE OUTSIDE FACE. B. 10" WALL - MINIMUM 6-3/4" FROM THE OUTSIDE FACE. C. EXTEND BARS TO WITHIN 8" OF THE TOP OF THE WALL.
- 3. HORIZONTAL REINFORCEMENT: A. ONE BAR SHALL BE PLACED WITHIN 12" OF THE TOP OF THE WALL. B. OTHER BARS SHALL BE EQUALLY SPACED WITH SPACING NOT TO EXCEED 24" O.C. C. HORIZONTAL BARS SHOULD BE AS CLOSE TO THE TENSION FACE AS POSSIBLE (INTERIOR); AND BEHIND THE VERTICAL REINFORCEMENT (I.E. 2" TOWARD THE INSIDE). D. SUPPLEMENTAL REINFORCEMENT AT CORNERS - PLACE 1 #4 REBAR 48" LONG AT 45 DEGREE ANGLE AT CORNERS OF OPENINGS. PLACE REINFORCEMENT WITHIN 6" OF THE EDGE OF INSIDE CORNERS.
- 4. REINFORCEMENT SHALL BE LAPPED A MINIMUM 24" AT ENDS, SPLICES, AND AROUND CORNERS.
- 5. AT MASONRY LEDGES THE MINIMUM WALL THICKNESS SHALL BE 3-1/2". LEDGES SHALL NOT EXCEED A DEPTH OF MORE THAN 24" BELOW THE TOP OF THE WALL FOR WALL THICKNESS LESS THAN 4" PROVIDE #4 BARS AT MAXIMUM 24" O.C. TO WITHIN 8" OF THE TOP OF THE WALL.
- 6. STRAIGHT WALLS MORE THAN 9' TALL AND MORE THAN 16' LONG SHALL BE PROVIDED WITH EXTERIOR BRACED RETURN WALLS. WALL LENGTH SHALL BE MEASURED USING INSIDE THE SHORTEST DIMENSION BETWEEN INTERSECTING WALLS (SEE TYPICAL DEAD MAN SECTION).

TABLE 1.1

Table with 5 columns: BAR SIZE, TOP BARS CASE 1, TOP BARS CASE 2, OTHER BARS CASE 1, OTHER BARS CASE 2. Rows for #3, #4, #5, #6.

**STEEL DECK - SUSPENDED SLABS**

- 1. STEEL DECK QUALITY, FABRICATION, DELIVERY, INSTALLATION AND ATTACHMENT SHALL COMPLY WITH THE PROVISIONS OF THE STEEL DECK INSTITUTE, SDI.
- 2. STEEL ROOF DECK SHALL BE AS FOLLOWS UNLESS NOTED OTHERWISE ON CONSTRUCTION DRAWINGS: • WIDE RIB CONFIGURATION • 1.5" DEPTH • 24GA DESIGN THICKNESS • MAXIMUM SINGLE SPAN OF 4'-8" OR CONTINUOUS SPAN OF 5'-10" • GALVANIZE PER ASTM A653 OR SHOP PRIME PER ASTM A1008 • ATTACH STEEL ROOF DECK TO SUPPORTS WITH #12 TEK AT 18" O.C. • ATTACH STEEL ROOF DECK SIDELAPS WITH #10 TEK OR CRIMP/BUTTON PUNCH AT 36" O.C. OR MID-SPAN, WHICHEVER IS SMALLER
- 3. CONTRACTOR AND/OR DECK MANUFACTURER SHALL FURNISH ALL NECESSARY DECK CLOSURE ACCESSORIES TO PROVIDE A FINISHED SURFACE FOR THE APPLICATION OF ROOF INSULATION AND ROOF COVERING.
- 4. STEEL FLOOR DECK SHALL BE AS FOLLOWS UNLESS NOTED OTHERWISE ON CONSTRUCTION DRAWINGS:

STEEL DECK - SUSPENDED SLABS STEEL DECK QUALITY, FABRICATION, DELIVERY, INSTALLATION AND ATTACHMENT SHALL COMPLY WITH THE PROVISIONS OF THE STEEL DECK INSTITUTE, SDI. CONTRACTOR AND/OR DECK MANUFACTURER SHALL FURNISH ALL NECESSARY DECK CLOSURE ACCESSORIES TO PROVIDE A FINISHED SURFACE FOR THE APPLICATION OF ROOF INSULATION AND ROOF COVERING.

STEEL FLOOR DECK SHALL BE AS FOLLOWS UNLESS NOTED OTHERWISE ON CONSTRUCTION DRAWINGS: • 2" COMPOSITE DECK WITH 6" TOTAL SLAB THICKNESS • 19GA DESIGN THICKNESS • MAXIMUM SINGLE SPAN DURING CONSTRUCTION OF 8', 2 SPAN OF 10'-1", OR 3 SPAN OF 10'-5". • MAXIMUM SPAN SHALL NOT EXCEED 12.5'. • PROVIDE W2.1xW2.1 WELDED WIRE MESH OR #4 @ 12" O.C. EACH WAY. PROVIDE 2" REBAR COVER MEASURED FROM TOP OF THE SLAB • GALVANIZE PER ASTM A653 • MINIMUM BEARING LENGTH AT EDGE SUPPORTS IS 2" • MINIMUM BEARING LENGTH AT INTERIOR SUPPORTS IS 4" • ATTACH STEEL COMPOSITE FLOOR DECK TO SUPPORTS WITH 5/8" ARC PUDDLE WELDS AT 12" O.C. MECHANICAL FASTENERS EITHER POWDER ACTUATED, PNEUMATICALLY DRIVEN, OR SCREWS MAY BE USED IN LIEU OF WELDING PROVIDED THEY ARE APPROVED. • ATTACH STEEL ROOF DECK SIDELAPS WITH #10 TEK OR CRIMP/BUTTON PUNCH AT 36" O.C. OR MID-SPAN, WHICHEVER IS SMALLER.

CONTRACTOR AND/OR DECK MANUFACTURER SHALL FURNISH ALL NECESSARY POUR STOPS, COLUMN CLOSURES, END PLATES, AND COVER PLATES AS NEEDED.

**STRUCTURAL STEEL**

- 1. STEEL DESIGN, FABRICATION, AND ERECTION SHALL CONFORM WITH AMERICAN INSTITUTE OF STEEL CONSTRUCTION.
- 2. STEEL GRADE AND SPECIFICATION SHALL BE AS FOLLOWS: HOLLOW STRUCTURAL SECTIONS: ASTM A500 (Fy = 46 KSI) CHANNELS, PLATES AND ANGLES: ASTM A36 (Fy = 36 KSI) WIDE FLANGES: ASTM A992 (Fy = 50 KSI) COLUMNS: ASTM A53 GR. B (Fy= 35 KSI) ANCHOR RODS: ASTM F1554 (Fy = 36 KSI)
- 3. BOLTS SHALL CONFORM TO ASTM A307
- 4. WELDING SHALL CONFORM TO THE AWS CODES FOR BUILDING CONSTRUCTION. WELDING SHALL BE PERFORMED IN ACCORDANCE TO WELDING PROCEDURE SPECIFICATION (WPS) AS REQUIRED IN AWS D1.1 THE WPS VARIABLES SHALL BE WITHIN THE PARAMETERS ESTABLISHED BY THE FILLER-METAL MANUFACTURER.
- 5. WELDS SHALL USE E70XX ELECTRODES AND A MINIMUM OR 3/16" SIZE UNLESS NOTED OTHERWISE.
- 6. ALL WELDS SPECIFIED AS FIELD WELDS MAY BE SHOP WELDED AT THE CONTRACTOR'S OPTION IF ERECTION CAN STILL BE EXECUTED.

**ENERGY REQUIREMENTS:**

- 1. LIGHTING FIXTURES PENETRATING THE THERMAL ENVELOPE SHALL BE IC-RATED, LEAKAGE RATED, AND SEALED TO THE GYPSUM WALLBOARD AS REQUIRED PER IRC N1102.4.4.
- 2. PROGRAMMABLE THERMOSTATS SHALL BE INSTALLED AS REQUIRED PER N1103.1.1.
- 3. AIR HANDLERS SHALL BE RATED FOR MAXIMUM 2% AIR LEAKAGE RATE PER N1103.3.2.1.
- 4. BUILDING FRAMING CAVITIES SHALL NOT BE USED AS DUCTS OR PLENUMS.
- 5. HOT WATER PIPES SHALL BE INSULATED AS REQUIRED PER N1103.4.
- 6. ALL EXHAUST FANS SHALL TERMINATE TO THE BUILDING EXTERIOR AS REQUIRED PER IRC M1504.3.
- 7. MAKEUP AIR SYSTEMS SHALL BE INSTALLED FOR KITCHEN EXHAUST HOODS THAT EXCEED 400 CFM AS REQUIRED PER M1503.6.
- 8. AN AIR HANDLING SYSTEM SHALL NOT SERVE BOTH THE LIVING SPACE AND THE GARAGE PER M1601.6 ENERGY CONSERVATION.

**GARAGES:**

- 1. THE GARAGE FLOOR SHALL SLOPE TOWARDS THE GARAGE DOORWAYS.
- 2. DOORS BETWEEN THE GARAGE AND THE DWELLING - MINIMUM 1-3/8" SOLID CORE OR HONEY COMBED STEEL DOOR OR 20 MINUTE FIRE RATED.
- 3. THE GARAGE SHALL BE SEPARATED FROM THE DWELLING AND ITS ATTIC AREAS BY A MINIMUM 5/8" GYPSUM BOARD APPLIED TO THE GARAGE SIDE WHERE A FLOOR/CEILING SPACE IS PROVIDED ABOVE.
- 4. THE GARAGE COLUMNS AND BEAMS SUPPORTING THE SEPARATION SHALL ALSO BE PROTECTED WITH 5/8" GYPSUM BOARD OR EQUIVALENT. WHERE HABITABLE SPACE OCCURS ABOVE THE GARAGE THE FLOOR CEILING ASSEMBLY SHALL BE PROTECTED WITH A MINIMUM PS TYPE "X" GYPSUM BOARD ON THE GARAGE CEILING.
- 5. GARAGE DOOR AND FRAME - THE "H" FRAME FOR THE ATTACHMENT OF THE TRACK AND COUNTER BALANCE SHALL CONSIST OF THE FOLLOWING 2x6 VERTICAL JAMBS RUNNING FROM THE FLOOR TO CEILING, ATTACHED WITH 1-3/4"x0.120" NAILS AT 7" O.C. STAGGERED WITH (7) 3-1/4"x0.120" NAILS THROUGH THE JAMB INTO THE HEADER. A MINIMUM OF 2x8 HEADER FOR ATTACHMENT OF COUNTER BALANCE SYSTEM.
- 6. SELF CLOSING DEVICES SHALL BE INSTALLED FOR GARAGE AND/OR DWELLING SEPARATION DOORS PER R302.5.1.
- 7. GARAGE VEHICLE DOORS AND FRAMES SHALL BE DESIGNED AND INSTALLED TO MEET THE 90 MPH WIND LOAD REQUIREMENTS OF DASMA 108 AND ASTM E330-96 (IRC 301.2.1).

**STAIRWAYS:**

- 1. STAIRWAYS SHALL PROVIDE A MAXIMUM 7-3/4" RISE AND A MINIMUM 10" RUN.
- 2. PROVIDE GUARD RAILS BETWEEN 36" GUARD RAILS ON THE OPEN SIDES OF RAISED FLOORS, PORCHES AND BALCONIES. MINIMUM 34" GUARD RAILS ON THE OPEN SIDES OF STAIRWAYS LOCATED MORE THAN 30" ABOVE THE FLOOR OR GRADE BELOW.
- 3. GUARD RAIL ENCLOSURES SHALL HAVE INTERMEDIATE RAILS OF ORNAMENTAL PATTERNS THAT DO NOT ALLOW PASSAGE OF A SPHERE 4" IN DIAMETER.
- 4. EACH STAIRWAY OF THREE OR MORE RISERS SHALL PROVIDE A CONTINUOUS HANDRAIL ON AT LEAST ONE SIDE BETWEEN 34" AND 38" ABOVE THE NOSING OF THE TREADS.
- 5. HANDRAILS SHALL HAVE A CIRCULAR CROSS SECTION OF 1-1/4" TO 2-5/8" OR OTHER APPROVED GRASPABLE SHAPE PER IRC R311.5.6.
- 6. MINIMUM 6'-8" OF HEADROOM CLEARANCE IS REQUIRED IN STAIRWAYS.
- 7. ENCLOSED ACCESSIBLE SPACE UNDER STAIRWAYS SHALL HAVE WALLS AND THE UNDERSIDE OF THE STAIR AND LANDING PROTECTED WITH 1/2" GYPSUM BOARD ON ENCLOSURE SIDE PER IRC R311.2.2.

**GLAZING**

- 1. GLAZING IN HAZARDOUS LOCATIONS AS IDENTIFIED IN IRC R308.4 SHALL BE OF APPROVED SAFETY GLAZING MATERIALS; GLASS IN STORM DOORS; INDIVIDUAL FIXED OR OPENABLE PANELS ADJACENT TO A DOOR WHERE THE NEAREST VERTICAL EDGE IS WITHIN A 24" ARCH OF THE DOOR IN A CLOSED POSITION AND WHOSE BOTTOM EDGE IS WITHIN 60" OF THE FLOOR; WALLS ENCLOSING STAIRWAYS AND LANDINGS WHERE THE GLAZING IS WITHIN 60" OF THE TOP OR BOTTOM OF THE STAIR; ENCLOSURES FOR SPAS, TUBS, SHOWERS, AND WHIRLPOOLS; GLAZING IN FIXED OR OPENABLE PANELS EXCEEDING 8 SF AND WHOSE BOTTOM EDGE IS LESS THAN 18" ABOVE THE FLOOR OR WALKING SURFACE WITHIN 36".
- 2. WINDOW FALL PROTECTION SHALL BE PROVIDED IN ACCORDANCE WITH R312.2.

**EMERGENCY EGRESS AND RESCUE**

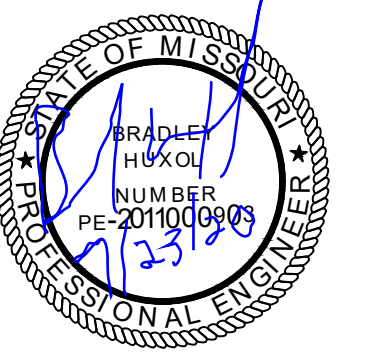
- 1. PROVIDE ONE WINDOW FROM EACH BEDROOM THAT HAS A MINIMUM OPENABLE AREA OF 5.7 SF WITH A MINIMUM OPENABLE HEIGHT OF 24" AND WIDTH OF 21"
- 2. BASEMENT EGRESS TO MEET THE REQUIREMENTS OF IRC R310.
- 3. PROVIDE SMOKE ALARMS IN EACH SLEEPING ROOM, OUTSIDE OF EACH SLEEPING AREA AND ON EACH FLOOR INCLUDING BASEMENTS. ALARMS SHALL BE INTERCONNECTED IN SUCH A MANNER THAT THE ACTUATION OF ONE ALARM WILL ACTIVATE ALL OF THE ALARMS IN THE DWELLING.
- 4. CARBON MONOXIDE DETECTORS SHALL BE INSTALLED AS REQUIRED PER R315.

**FRAMING NOTES:**

- 1. ALL LUMBER SIZES ARE DOUGLAS FIR-LARCH #2 UNLESS OTHERWISE NOTED.
- 2. ALL UNMARKED HEADERS SHALL BE A MINIMUM #2 DOUGLAS FIR LARCH (2) 2x10 ON LOAD BEARING WALLS.
- 3. ALL HEADER/BEAMS TO BEAR ON A MINIMUM OF (2) 2x4 POSTS UNLESS NOTED OTHERWISE.
- 4. DOUBLE JOIST UNDER INTERIOR NON-LOAD BEARING WALLS.
- 5. CANTILEVERS, OVER BEAMS, AND DOOR JAMBS SHALL BE BLOCKED
- 6. ANY WOOD MEMBERS IN CONTACT WITH CONCRETE OR MASONRY (OR THE FURRING THEY ARE ATTACHED TO) SHALL BE OF DECAY RESISTANT MATERIAL.
- 7. INTERIOR NON LOAD BEARING WALLS SHALL BE ISOLATED FROM THE FLOOR FRAMING ABOVE UNLESS THE INTERIOR NON LOAD BEARING WALL RESTS DIRECTLY ON A FOOTING.
- 8. LVL STRENGTH SHALL BE VERSA-LAM 3100 Fb UNLESS NOTED OTHERWISE.



RESIDENTIAL ENGINEERING SERVICES, LLC WWW.RES-KC.COM 600 SW JEFFERSON ST SUITE 300 LEES SUMMIT, MO 64063 (816) 399-4901



GENERAL NOTES



| 2018 IRC TABLE R602.3(1) (SEE IRC FOR FOOTNOTES) |                                                                                      |                                                                                                                                                             |                                                                                            |
|--------------------------------------------------|--------------------------------------------------------------------------------------|-------------------------------------------------------------------------------------------------------------------------------------------------------------|--------------------------------------------------------------------------------------------|
| ITEM                                             | DESCRIPTION OF BUILDING ELEMENTS                                                     | NUMBER AND TYPE OF FASTENER                                                                                                                                 | SPACING AND LOCATION                                                                       |
| ROOF                                             |                                                                                      |                                                                                                                                                             |                                                                                            |
| 1                                                | BLOCKING BETWEEN CEILING JOISTS OR RAFTERS TO TOP PLATE                              | 4-8D BOX (2-1/2"x0.113") OR 3-8D COMMON (2-1/2" x 0.131"); OR 3-10D BOX (3" x 0.128"); OR 3-3" x 0.131" NAILS                                               | TOE NAIL                                                                                   |
| 2                                                | CEILING JOISTS TO TOP PLATE                                                          | 4-8D BOX (2-1/2"x0.113") OR 3-8D COMMON (2-1/2" x 0.131"); OR 3-10D BOX (3" x 0.128"); OR 3-3" x 0.131" NAILS                                               | PER JOIST, TOE NAIL                                                                        |
| 3                                                | CEILING JOISTS NOT ATTACHED TO PARALLEL RAFTER LAPS OVER PARTITIONS                  | 4-10D BOX (3" x 0.128"); OR 3-16D COMMON (3-1/2" x 0.162"); OR 4-3" x 0.131" NAILS                                                                          | FACE NAIL                                                                                  |
| 4                                                | CEILING JOIST ATTACHED TO PARALLEL RAFTER (HEEL JOINT)                               | TABLE R802.5.2                                                                                                                                              | FACE NAIL                                                                                  |
| 5                                                | COLLAR TIE TO RAFTER, FACE NAIL OR 1-1/4"x20 GAGE RIDGE STRAP TO RAFTER              | 4-10D BOX (3" x 0.128"); OR 3-10D COMMON (3" x 0.148"); OR 4-3" x 0.131" NAILS                                                                              | FACE NAIL EACH RAFTER                                                                      |
| 6                                                | RAFTER OR ROOF TRUSS TO PLATE                                                        | 3-16d BOX NAILS (3-1/2"x0.135"); OR 3-10d COMMON NAILS (3"x0.148"); OR 4-10D BOX (3" x .128"); OR 4-3" x 0.131" NAILS                                       | 2 TOE NAILS ON ONE SIDE AND 1 TOE NAIL ON OPPOSITE SIDE OF EACH RAFTER OR TRUSS            |
| 7                                                | ROOF RAFTERS TO RIDGE, VALLEY OR HIP RAFTERS OR ROOF RAFTER TO MINIMUM 2" RIDGE BEAM | 4-16d (3-1/2"x0.135"); OR 3-10D COMMON (3" x 0.148"); OR 4-10D BOX (3" x 0.128"); OR 4-3" x 0.131" NAILS                                                    | TOE NAIL                                                                                   |
|                                                  |                                                                                      | 3-16d BOX NAILS (3-1/2"x0.135") OR 2-16D COMMON NAILS (3-1/2"x0.162"); OR 3-10D BOX (3" x 0.128"); OR 3-3" x 0.131" NAILS                                   | END NAIL                                                                                   |
| WALL                                             |                                                                                      |                                                                                                                                                             |                                                                                            |
| 8                                                | STUD TO STUD (NOT AT BRACED WALL PANELS)                                             | 16D COMMON (3-1/2" x 0.162")<br>10d BOX (3"x0.128"); OR 3" x 0.131" NAILS                                                                                   | 24" O.C. FACE NAIL<br>16" O.C. FACE NAIL                                                   |
| 9                                                | STUD TO STUD AND ABUTTING STUDS AT INTERSECTING WALL CORNERS (AT BRACED WALL PANELS) | 16D BOX (3-1/2"x0.135"); OR 3" x 0.131" NAILS<br>16D COMMON (3-1/2" x 0.162")                                                                               | 12" O.C. FACE NAIL<br>16" O.C. FACE NAIL                                                   |
| 10                                               | BUILT-UP HEADER (2" TO 2" HEADER WITH 1/2" SPACER)                                   | 16D COMMON (3-1/2"x0.162")<br>16D BOX (3-1/2" x 0.135)                                                                                                      | 16" O.C. ALONG EACH EDGE FACE NAIL<br>12" ALONG EACH EDGE FACE NAIL                        |
| 11                                               | CONTINUOUS HEADER TO STUD                                                            | 5-8D BOX (2-1/2" x 0.113"); OR 4-8D COMMON (2-1/2" x 0.131"); OR 4-10D BOX (3" x 0.128")                                                                    | TOENAIL                                                                                    |
| 12                                               | TOP PLATE TO TOP PLATE                                                               | 16D COMMON (3-1/2" x 0.162")<br>10d BOX (3"x0.128"); OR 3" x 0.131" NAILS                                                                                   | 16" O.C. FACE NAIL<br>12" O.C. FACE NAIL                                                   |
| 13                                               | DOUBLE TOP PLATE SPLICE                                                              | 8-16D COMMON (3-1/2" x 0.162"); OR 12-16D BOX (3-1/2" x 0.135"); OR 12-10D BOX (3" x 0.128"); OR 12-3" x 0.131" NAILS                                       | FACE NAIL ON EACH SIDE OF END JOINT (MINIMUM 24" LAP SPLICE LENGTH EACH SIDE OF END JOINT) |
| 14                                               | BOTTOM PLATE TO JOIST, RIM JOIST, BAND JOIST OR BLOCKING (NOT AT BRACED WALL PANELS) | 16D COMMON (3-1/2" x 0.162")<br>16D BOX (3-1/2"x0.135"); OR 3" x 0.131" NAILS                                                                               | 16" O.C. FACE NAIL<br>12" O.C. FACE NAIL                                                   |
| 15                                               | BOTTOM PLATE TO JOIST, RIM JOIST, BAND JOIST BLOCKING (AT BRACED WALL PANELS)        | 3-16d BOX NAILS (3-1/2"x0.135") OR 2-16D COMMON (3-1/2"x0.162"); OR 4-3" x 0.131" NAILS                                                                     | 3 EACH 16" O.C. FACE NAIL<br>2 EACH 16" O.C. FACE NAIL<br>4 EACH 16" O.C. FACE NAIL        |
| 16                                               | TOP OR BOTTOM PLATE TO STUD                                                          | 4-8D BOX (2-1/2"x0.113") OR 3-16D BOX (3-1/2" x 0.135"); OR 4-8D COMMON (2-1/2" x 0.131"); OR 4-10D BOX (3" x 0.128"); OR 4-3" x 0.131" NAILS               | TOE NAIL                                                                                   |
|                                                  |                                                                                      | 3-16d BOX (3-1/2" x 0.135"); OR 2-16D COMMON (3-1/2" x 0.162"); OR 3-10D BOX (3" x 0.128"); OR 3-3" x 0.131" NAILS                                          | END NAIL                                                                                   |
| 17                                               | TOP PLATES, LAPS AT CORNERS AND INTERSECTIONS                                        | 3-10D BOX (3" x 0.128"); OR 2-16D COMMON (3-1/2" x 0.162"); OR 3-3" x 0.131" NAILS                                                                          | FACE NAIL                                                                                  |
| 18                                               | 1" BRACE TO EACH STUD AND PLATE                                                      | 3-8D BOX (2-1/2" x 0.113"); OR 2-8D COMMON (2-1/2" x 0.131"); OR 2-10D BOX (3" x 0.128"); OR 2 STAPLES, 1" CROWN, 16 GA., 1-3/4" LONG                       | FACE NAIL                                                                                  |
| 19                                               | 1"x6" SHEATHING TO EACH BEARING                                                      | 3-8D BOX (2-1/2" x 0.113"); OR 2-8D COMMON (2-1/2" x 0.131"); OR 2-10D BOX (3" x 0.128"); OR 2 STAPLES, 1" CROWN, 16 GA., 1-3/4" LONG                       | FACE NAIL                                                                                  |
| 20                                               | 1"x8" AND WIDER SHEATHING TO EACH BEARING                                            | 3-8D BOX (2-1/2" x 0.113"); OR 3-8D COMMON (2-1/2" x 0.131"); OR 3-10D BOX (3" x 0.128"); OR 3 STAPLES, 1" CROWN, 16 GA., 1-3/4" LONG                       | FACE NAIL                                                                                  |
|                                                  |                                                                                      | WIDER THAN 1" x 8"<br>4-8D BOX (2-1/2" x 0.113"); OR 3-8D COMMON (2-1/2" x 0.131"); OR 3-10D BOX (3" x 0.128"); OR 4 STAPLES, 1" CROWN, 16 GA., 1-3/4" LONG |                                                                                            |

| TABLE R507/2 FASTENER SPACING FOR A SOUTHERN PINE OR HEM-FIR DECK LEDGER 2" NOMINAL SOLID SAWN SPRUCE-PINE-FIR BAND JOIST (DECK LIVE LOAD = 40PSF, DECK DEAD LOAD = 10 PSF) |                                |           |            |             |             |             |             |
|-----------------------------------------------------------------------------------------------------------------------------------------------------------------------------|--------------------------------|-----------|------------|-------------|-------------|-------------|-------------|
| JOIST SPAN                                                                                                                                                                  | 6' AND LESS                    | 6'1 TO 8' | 8'1 TO 10' | 10'1 TO 12' | 12'1 TO 14' | 14'1 TO 16' | 16'1 TO 18' |
| CONNECTION DETAILS                                                                                                                                                          | ON CENTER SPACING OF FASTENERS |           |            |             |             |             |             |
| 1/2" DIAMETER LAG SCREW WITH 15/32" MAX SHEATHING                                                                                                                           | 30                             | 23        | 18         | 15          | 13          | 11          | 10          |
| 1/2" DIAMETER BOLT WITH 15/32" MAX SHEATHING                                                                                                                                | 36                             | 36        | 34         | 29          | 24          | 21          | 19          |
| 1/2" DIAMETER BOLT WITH 15/32" MAX SHEATHING AND 1/2" STACKED WASHERS                                                                                                       | 36                             | 36        | 29         | 24          | 21          | 18          | 16          |

| 2018 IRC TABLE R602.3(1) (SEE IRC FOR FOOTNOTES)                     |                                                                                 |                                                                                                                                             |                                                                           |                            |
|----------------------------------------------------------------------|---------------------------------------------------------------------------------|---------------------------------------------------------------------------------------------------------------------------------------------|---------------------------------------------------------------------------|----------------------------|
| FLOOR                                                                |                                                                                 |                                                                                                                                             |                                                                           |                            |
| 21                                                                   | JOIST TO SILL, TOP PLATE OR GIRDER                                              | 4-8D BOX (2-1/2" x 0.113"); OR 3-8D COMMON (2-1/2" x 0.131"); OR 3-10D BOX (3" x 0.128"); OR 3-3" x 0.131" NAILS                            | TOE NAIL                                                                  |                            |
| 22                                                                   | RIM JOIST, BAND JOIST OR BLOCKING TO SILL OR TOP PLATE (ROOF APPLICATIONS ALSO) | 8d BOX (2-1/2"x0.113")<br>8D COMMON (2-1/2" x 0.131"); OR 10D BOX (3" x 0.128"); OR 3" x 0.131" NAILS                                       | 4" O.C. TOE NAIL<br>6" O.C. TOE NAIL                                      |                            |
| 23                                                                   | 1"x6" SUBFLOOR OR LESS TO EACH JOIST                                            | 3-8D BOX (2-1/2" x 0.113"); OR 2-8D COMMON (2-1/2" x 0.131"); OR 3-10D BOX (3" x 0.128"); OR 2 STAPLES, 1" CROWN, 16 GA., 1-3/4" LONG       | FACE NAIL                                                                 |                            |
| FLOOR                                                                |                                                                                 |                                                                                                                                             |                                                                           |                            |
| 24                                                                   | 2" SUBFLOOR TO JOIST OR GIRDER                                                  | 3-16D BOX (3-1/2" x 0.135"); OR 2-16D COMMON (3-1/2"x0.162")                                                                                | BLIND AND FACE NAIL                                                       |                            |
| 25                                                                   | 2" PLANKS (PLANK & BEAM - FLOOR & ROOF)                                         | 3-16D BOX (3-1/2" x 0.135"); OR 2-16D COMMON (3-1/2"x0.162")                                                                                | AT EACH BEARING, FACE NAIL                                                |                            |
| 26                                                                   | BAND OR RIM JOIST TO JOIST                                                      | 3-16D COMMON (3-1/2" x 0.162"); OR 4-10 BOX (3" x 0.128"); OR 4-3" x 0.131" NAILS; OR 4-3" x 14 GA. STAPLES, 1 1/2" CROWN                   | END NAIL                                                                  |                            |
| 27                                                                   | BUILT-UP GIRDERS AND BEAMS, 2" LUMBER LAYERS                                    | 20D COMMON (4" x 0.192"); OR 10D BOX (3" x 0.128"); OR 3-10D COMMON NAILS (3" x 0.148"); OR 3-10D BOX (3" x 0.128"); OR 3-3" x 0.131" NAILS | NAIL EACH LAYER AS FOLLOWS: 32" O.C. AT TOP END AND BOTTOM AND STAGGERED. |                            |
|                                                                      |                                                                                 | AND: 2-20D COMMON (4" x 0.192"); OR 3-10D BOX (3" x 0.128"); OR 3-3" x 0.131" NAILS                                                         | FACE NAIL AT ENDS AND AT EACH SPLICE                                      |                            |
| 28                                                                   | LEDGER STRIP SUPPORTING JOISTS OR RAFTERS                                       | 4-16D BOX (3-1/2" x 0.135"); OR 3-16D COMMON (3-1/2" x 0.162"); OR 4-10D BOX (3" x 0.128"); OR 4-3" x 0.131" NAILS                          | AT EACH JOIST OR RAFTER, FACE NAIL                                        |                            |
| 29                                                                   | BRIDGING OR BLOCKING TO JOIST                                                   | 2-10D BOX (3" x 0.128"); OR COMMON (2-1/2" x 0.131"); OR 2-3" x 0.131" NAILS                                                                | EACH END, TOE NAIL                                                        |                            |
| SPACING OF FASTENERS                                                 |                                                                                 |                                                                                                                                             |                                                                           |                            |
| ITEM                                                                 | DESCRIPTION OF BUILDING ELEMENTS                                                | NUMBER AND TYPE OF FASTENER                                                                                                                 | EDGES (IN)                                                                | INTERMEDIATE SUPPORTS (IN) |
|                                                                      |                                                                                 |                                                                                                                                             |                                                                           |                            |
| 30                                                                   | 3/8" - 1/2"                                                                     | 6d COMMON (2"x0.113") NAILS (SUBFLOOR, WALL)<br>8d COMMON (2-1/2"x0.131") NAIL (ROOF); OR RSR-01 (2-3/8" x 0.113") NAIL (ROOF)              | 6                                                                         | 12                         |
| 31                                                                   | 19/32"-1"                                                                       | 8d COMMON NAIL (2-1/2"x0.131"); OR RSR-01 (2-3/8" x 0.113") NAIL (ROOF)                                                                     | 6                                                                         | 12                         |
| 32                                                                   | 1-1/8" - 1-1/4"                                                                 | 10d COMMON (3"x0.148") NAIL OR 8D (2-1/2"x0.131") DEFORMED NAIL                                                                             | 6                                                                         | 12                         |
| OTHER WALL SHEATHING                                                 |                                                                                 |                                                                                                                                             |                                                                           |                            |
| 33                                                                   | 1/2" STRUCTURAL CELLULOSIC FIBERBOARD SHEATHING                                 | 1-1/2" GALVANIZED ROOFING NAIL, 7/16" HEAD DIAMETER, OR 1-1/4" LONG 16 GA. STAPLE WITH 1/8" OR 1" CROWN                                     | 3                                                                         | 6                          |
| 34                                                                   | 25/32" STRUCTURAL CELLULOSIC FIBERBOARD SHEATHING                               | 1-3/4" GALVANIZED ROOFING NAIL, 7/16" HEAD DIAMETER, OR 1-1/2" LONG 16 GA. STAPLE WITH 1/8" OR 1" CROWN                                     | 3                                                                         | 6                          |
| 35                                                                   | 1/2" GYPSUM SHEATHING                                                           | 1-1/2" GALVANIZED ROOFING NAIL; STAPLE GALVANIZED, 1-1/2" LONG; 1-1/4" SCREWS, TYPE "W" OR "S"                                              | 7                                                                         | 7                          |
| 36                                                                   | 5/8" GYPSUM SHEATHING                                                           | 1-3/4" GALVANIZED ROOFING NAIL; STAPLE GALVANIZED, 1-5/8" LONG; 1-5/8" SCREWS, TYPE "W" OR "S"                                              | 7                                                                         | 7                          |
| WOOD STRUCTURAL PANELS, COMBINATION SUBFLOOR UNDERLAYMENT TO FRAMING |                                                                                 |                                                                                                                                             |                                                                           |                            |
| 37                                                                   | 3/4" AND LESS                                                                   | 6D DEFORMED (2"x0.120") NAIL OR 8D COMMON (2-1/2"x0.131") NAIL                                                                              | 6                                                                         | 12                         |
| 38                                                                   | 7/8" - 1"                                                                       | 8D COMMON (2-1/2"x0.131") NAIL OR 8D DEFORMED (2-1/2"x0.120") NAIL                                                                          | 6                                                                         | 12                         |
| 39                                                                   | 1-1/8" - 1-1/4"                                                                 | 10D COMMON (3"x0.148") NAIL OR 8D DEFORMED (2-1/2"x0.120") NAIL                                                                             | 6                                                                         | 12                         |

| TABLE R507.2.1 PLACEMENT OF LAG SCREWS AND BOLTS IN DECK LEDGERS AND BAND JOISTS |          |             |      |             |
|----------------------------------------------------------------------------------|----------|-------------|------|-------------|
| MINIMUM END AND EDGE DISTANCES AND SPACING BETWEEN ROWS (INCHES)                 |          |             |      |             |
|                                                                                  | TOP EDGE | BOTTOM EDGE | ENDS | ROW SPACING |
| LEDGER                                                                           | 2        | 1/4         | 2    | 1-5/8       |
| BAND JOIST                                                                       | 3/4      | 2           | 2    | 1-5/8       |

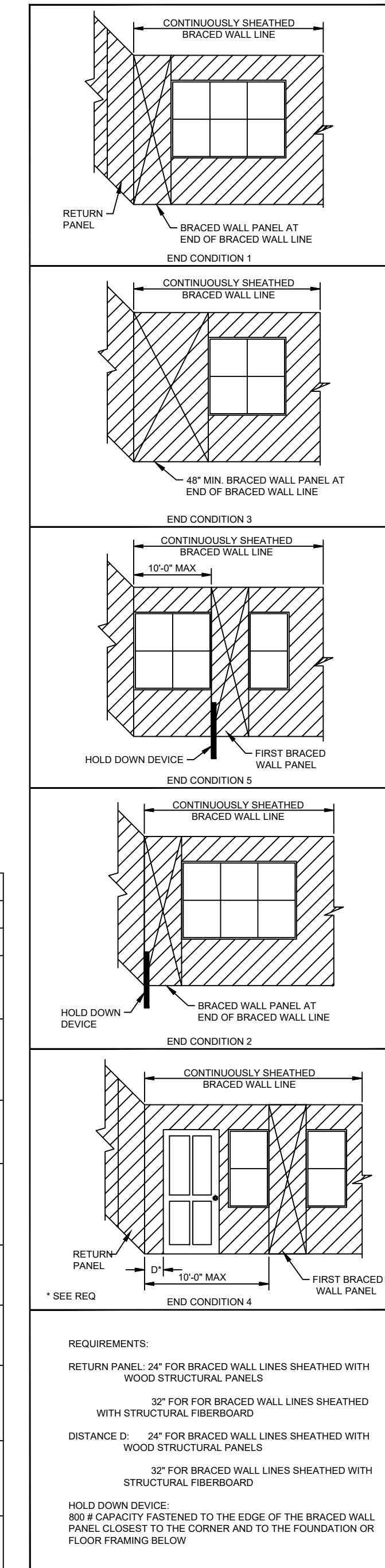
| REQUIREMENTS FOR WOOD STRUCTURAL PANEL WALL SHEATHING USED TO RESIST WIND PRESSURES IRC TABLE 602.3(3) (PARTIAL) |                               |                                      |                                      |                       |                    |                 |                                         |
|------------------------------------------------------------------------------------------------------------------|-------------------------------|--------------------------------------|--------------------------------------|-----------------------|--------------------|-----------------|-----------------------------------------|
| SIZE                                                                                                             | MINIMUM NAIL PENETRATION (IN) | MINIMUM WOOD STRUCTURAL PANEL RATING | MINIMUM NOMINAL PANEL THICKNESS (IN) | MAX WALL STUD SPACING | PANEL NAIL SPACING |                 | ULTIMATE DESIGN WIND SPEED, V ULT (MPH) |
|                                                                                                                  |                               |                                      |                                      |                       | EDGES (IN O.C.)    | FIELD (IN O.C.) |                                         |
| 6d COMMON                                                                                                        | 1.5                           | 24/0                                 | 3/8                                  | 16                    | 6                  | 12              | 140                                     |
| 8d COMMON                                                                                                        | 1.75                          | 24/16                                | 7/16                                 | 16                    | 6                  | 12              | 170                                     |
|                                                                                                                  |                               |                                      |                                      | 24                    | 6                  | 12              | 140                                     |

| MINIMUM WALL STUD FRAMING NOMINAL SIZE AND GRADE | MAXIMUM PONY WALL HEIGHT (FEET) | MAXIMUM TOTAL WALL HEIGHT (FEET) | MAXIMUM OPENING WIDTH (FEET) | TENSION STRAP CAPACITY REQUIRED (POUNDS) FOR 90 MPH EXPOSURE B |
|--------------------------------------------------|---------------------------------|----------------------------------|------------------------------|----------------------------------------------------------------|
| 2x4 NO 2 GRADE                                   | 0                               | 10                               | 18                           | 1,000                                                          |
|                                                  | 1                               | 10                               | 9                            | 1,000                                                          |
|                                                  |                                 |                                  | 16                           | 1,000                                                          |
|                                                  |                                 |                                  | 18                           | 1,000                                                          |
|                                                  | 2                               | 10                               | 9                            | 1,200                                                          |
|                                                  |                                 |                                  | 16                           | 1,000                                                          |
|                                                  |                                 |                                  | 18                           | 2,025                                                          |
|                                                  | 2                               | 12                               | 9                            | 2,400                                                          |
|                                                  |                                 |                                  | 16                           | 1,200                                                          |
|                                                  |                                 |                                  | 18                           | 3,200                                                          |
|                                                  | 4                               | 12                               | 9                            | 3,200                                                          |
|                                                  |                                 |                                  | 16                           | 2,350                                                          |
| 18                                               |                                 |                                  | DR                           |                                                                |
| 2x6 STUD GRADE                                   | 2                               | 12                               | 9                            | 1,000                                                          |
|                                                  |                                 |                                  | 16                           | 2,050                                                          |
|                                                  | 4                               | 12                               | 9                            | 1,500                                                          |
|                                                  |                                 |                                  | 16                           | 3,150                                                          |
|                                                  | 4                               | 12                               | 18                           | 2,450                                                          |
|                                                  |                                 |                                  | 18                           | 3,675                                                          |

| MINIMUM LENGTH OF BRACED WALL PANELS TABLE R602.10.5 (PARTIAL) |                                        |                          |        |        |
|----------------------------------------------------------------|----------------------------------------|--------------------------|--------|--------|
| METHOD                                                         | SUPPORTING ROOF ONLY                   | MINIMUM LENGTH (INCHES)  |        |        |
|                                                                |                                        | WALL HEIGHT              | 8 FEET | 9 FEET |
| PFH                                                            | SUPPORTING ONE STORY AND ROOF          | 16                       | 16     | 16     |
|                                                                | PFG                                    | 24                       | 27     | 30     |
| CS-PF                                                          | ADJACENT CLEAR OPENING HEIGHT (INCHES) | 16                       | 18     | 20     |
|                                                                |                                        | LESS THAN OR EQUAL TO 64 | 24     | 27     |

| BRACING METHODS TABLE R602.10.4 (PARTIAL)          |                                                                                      |                                                            |                                                                                          |  |
|----------------------------------------------------|--------------------------------------------------------------------------------------|------------------------------------------------------------|------------------------------------------------------------------------------------------|--|
| METHODS, MATERIAL                                  | MINIMUM THICKNESS                                                                    | CONNECTION CRITERIA                                        |                                                                                          |  |
|                                                    |                                                                                      | FASTENERS                                                  | SPACING                                                                                  |  |
| WSP - WOOD STRUCTURAL PANEL                        | 3/8                                                                                  | EXTERIOR SHEATHING PER TABLE R602.3(3)                     | 6" EDGES, 12" FIELD                                                                      |  |
|                                                    |                                                                                      | INTERIOR SHEATHING PER TABLE R602.3(1) OR R602.3(2)        | VARIES BY FASTENER                                                                       |  |
| CS-WSP CONTINUOUSLY SHEATHED WOOD STRUCTURAL PANEL | 3/8                                                                                  | EXTERIOR SHEATHING PER TABLE R602.3(3)                     | 6" EDGES, 12" FIELD                                                                      |  |
|                                                    |                                                                                      | INTERIOR SHEATHING PER TABLE R602.3(1) OR R602.3(2)        | VARIES BY FASTENER                                                                       |  |
| PFH - PORTAL FRAME WITH HOLD DOWNS                 | 3/8                                                                                  | SEE IRC SECTION R602.10.6.2                                | SEE IRC SECTION R602.10.6.2                                                              |  |
| PGF - PORTAL FRAME AT GARAGE                       | 3/8                                                                                  | SEE IRC SECTION R602.10.6.3                                | SEE IRC SECTION R602.10.6.3                                                              |  |
| LIB LET-IN BRACING                                 | 1x4 WOOD OR APPROVED METAL STRAPS AT 45 TO 60 DEGREE ANGLES FOR MAX 16" STUD SPACING | WOOD: 2-8d COMMON NAILS OR 3-8d NAILS                      | WOOD: PER STUD AND TOP AND BOTTOM PLATES                                                 |  |
|                                                    |                                                                                      | METAL STRAP: PER MANUFACTURER                              | METAL: PER MANUFACTURER                                                                  |  |
| GB-GYPSUM BOARD                                    | 1/2                                                                                  | NAILS OR SCREWS PER TABLE R602.3(1) FOR EXTERIOR LOCATIONS | FOR ALL BRACED WALL PANEL LOCATIONS: 7" EDGES (INCLUDING TOP AND BOTTOM PLATES) 7" FIELD |  |
|                                                    |                                                                                      | NAILS OR SCREWS PER TABLE R702.3.5 FOR INTERIOR LOCATIONS  |                                                                                          |  |

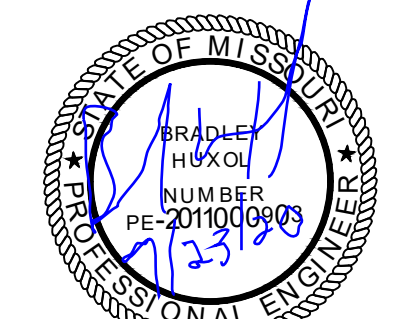
| ENGINEERED LUMBER MINIMUM DESIGN REQUIREMENTS |          |         |          |
|-----------------------------------------------|----------|---------|----------|
|                                               | fb (PSI) | E (PSI) | Fv (PSI) |
| VERSA-LAM LVL                                 | 3100     | 2.0x106 | 285      |
| DOUGLAS FIR-LARCH #2                          | 900      | 1.6x106 | 180      |



1 S1.0  
END CONDITIONS FOR BRACED WALL LINES WITH CONTINUOUS SHEATHING (IRC FIGURE R602.10.7) N.T.S.



RESIDENTIAL ENGINEERING SERVICES, LLC  
WWW.RES-KC.COM  
600 SW JEFFERSON ST SUITE 300  
LEES SUMMIT, MO 64063  
(816) 399-4901



FRAMING DETAILS

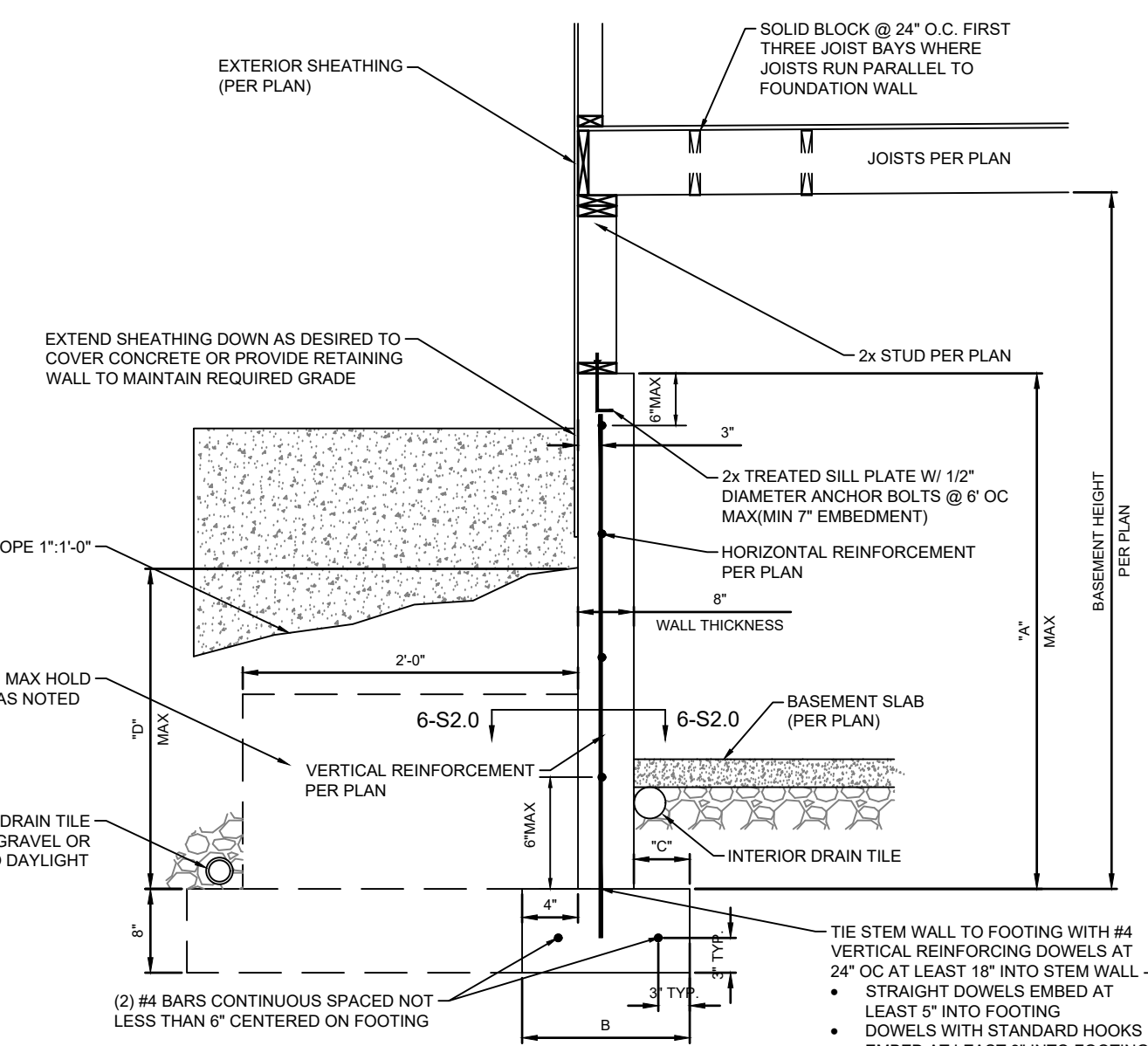
SHEET #

S1.0





STRUCTURAL DETAILS



**CONCRETE DIMENSIONS**

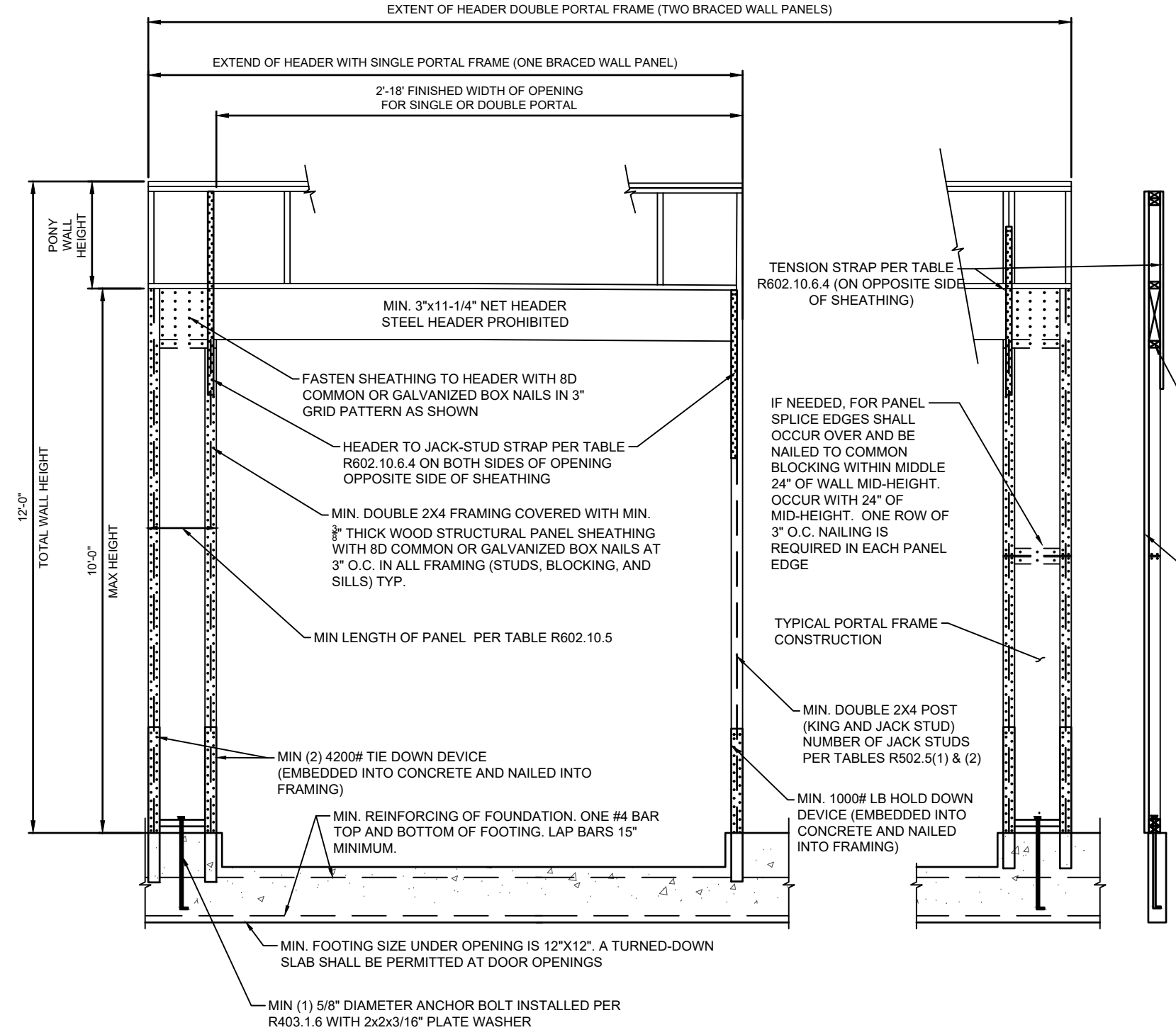
| "A"   | "B"   | "C" | "D"   |
|-------|-------|-----|-------|
| 4'-0" | 1'-4" | 4"  | 3'-4" |
| 6'-0" | 1'-4" | 4"  | 4'-4" |
| 9'-0" | 1'-8" | 5"  | 4'-4" |

DIMENSIONS SHOWN ARE FOR THE MAXIMUM UNINTERRUPTED WALL PANEL LENGTH BEFORE DEAD-MAN INSTALLATION. A MINIMUM 2' RETURN OR OFFSET IN THE FOUNDATION WALL SHALL SUBSTITUTE AS DEAD-MAN AND/OR BREAK IN THE WALL PANEL LENGTH.

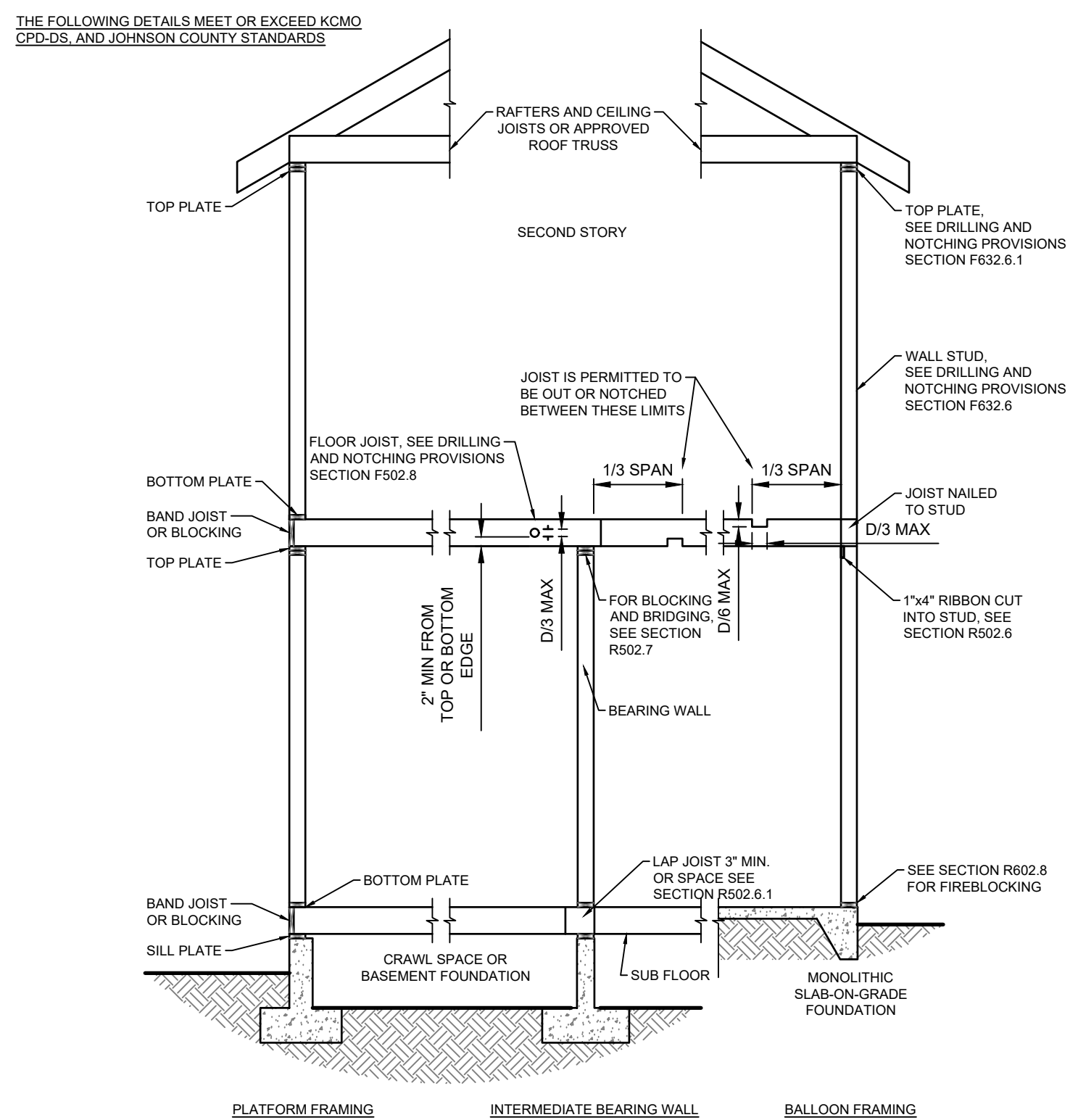
VERTICAL REINFORCING STEEL TO EXTEND TO WITHIN 6" OF TOP WALL. MINIMUM (1) #4 HORIZONTAL BAR WITHIN 12" OF TOP AND BOTTOM OF WALL.

THE BASEMENT SLAB IS AN INTEGRAL PART OF THE "UNRESTRAINED" FOUNDATION WALL DESIGN. THEREFORE IF THE WALL IS BACKFILLED PRIOR TO PLACEMENT OF THE BASEMENT SLAB, THE CONTRACTOR SHALL BE RESPONSIBLE FOR PROPERLY BRACING THE WALL UNTIL THE BASEMENT SLAB HAS BEEN PLACED.

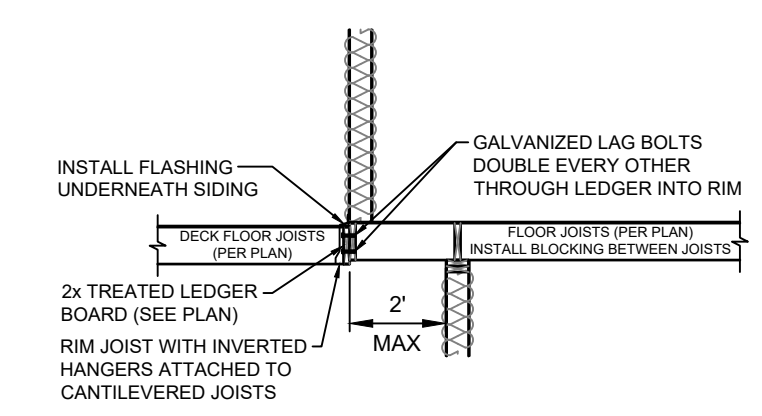
**13** TYPICAL "UNRESTRAINED" FOUNDATION WALL DETAIL  
 S2.0 N.T.S.



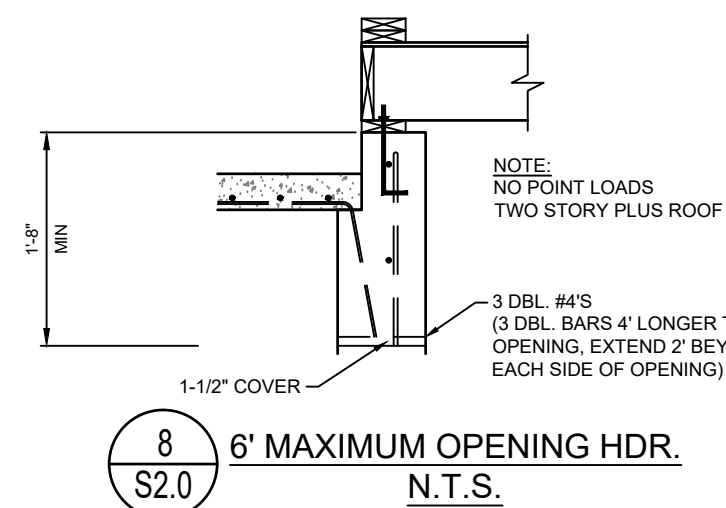
**12** PORTALS WITH HOLD DOWNS  
 S2.0 (METHOD PFH) IRC FIGURE R602.10.6.2  
 N.T.S.



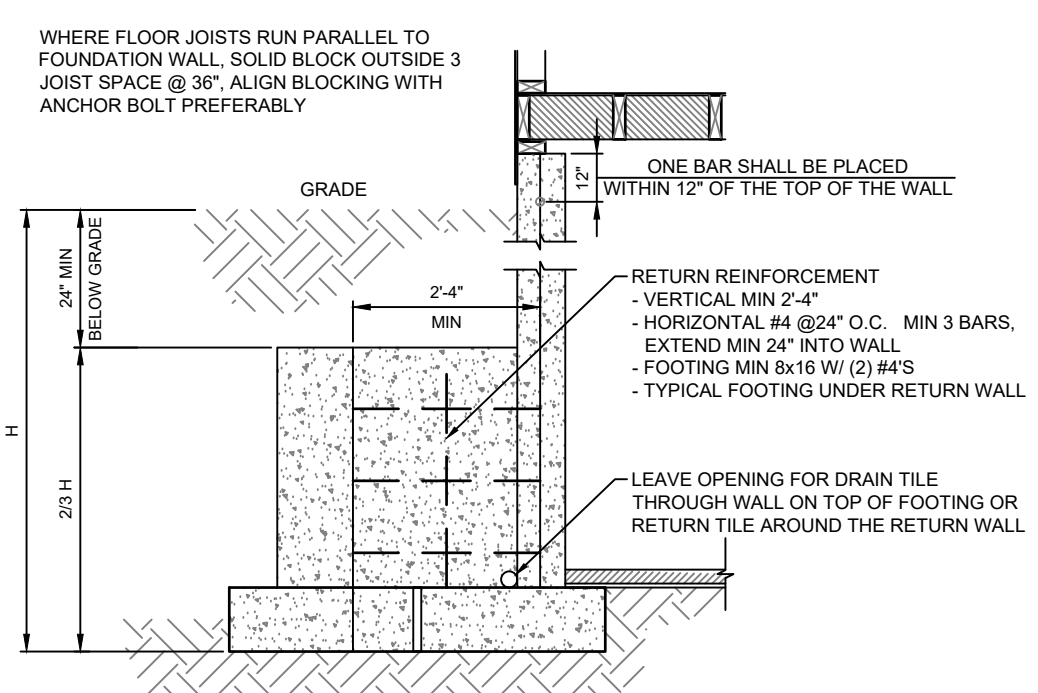
**11** TYPICAL WALL, FLOOR AND ROOF  
 S2.0 FRAMING (IRC FIGURE R602.3(1))  
 N.T.S.



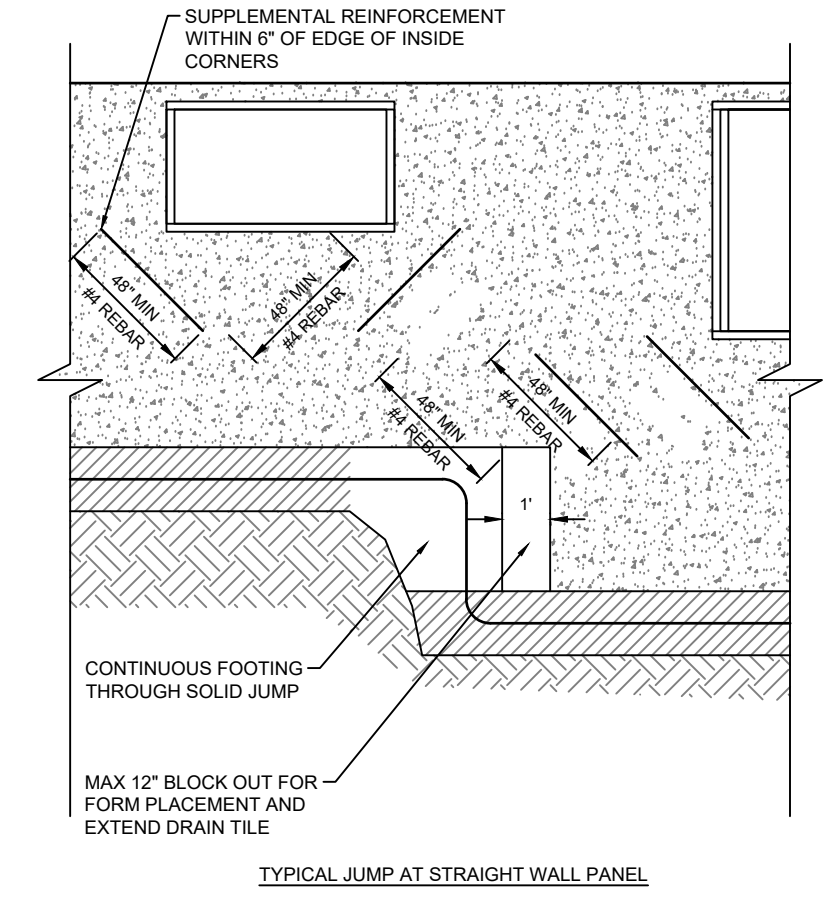
**10** TYPICAL CANTILEVER FRAMING WITH  
 S2.0 DECK ATTACHMENT  
 N.T.S.



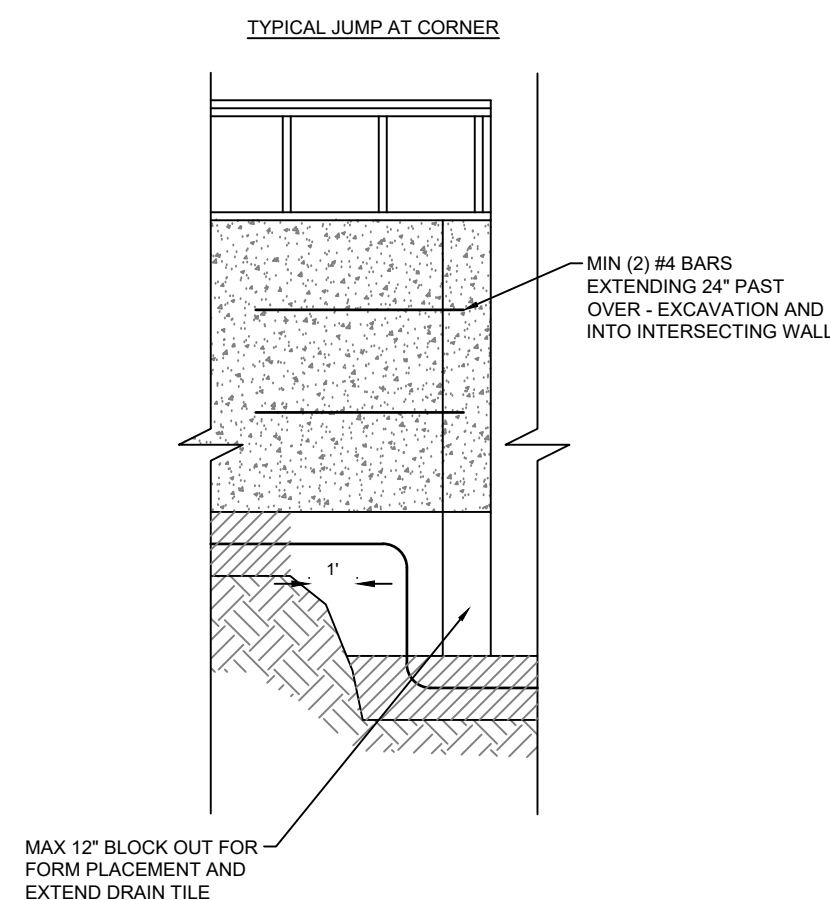
**8** 6' MAXIMUM OPENING HDR.  
 S2.0 N.T.S.



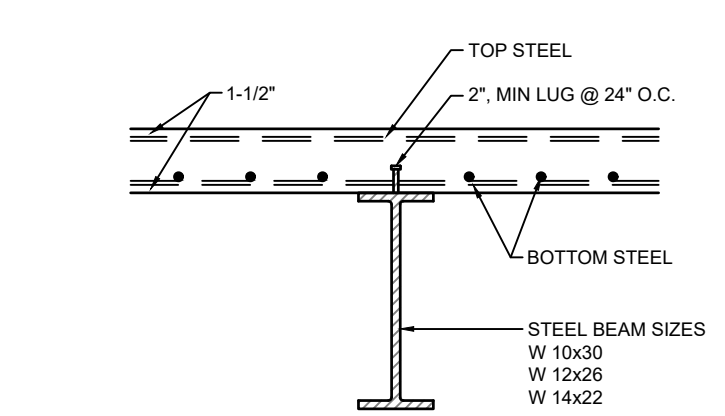
**7** TYPICAL DEAD MAN SECTION  
 S2.0 N.T.S.



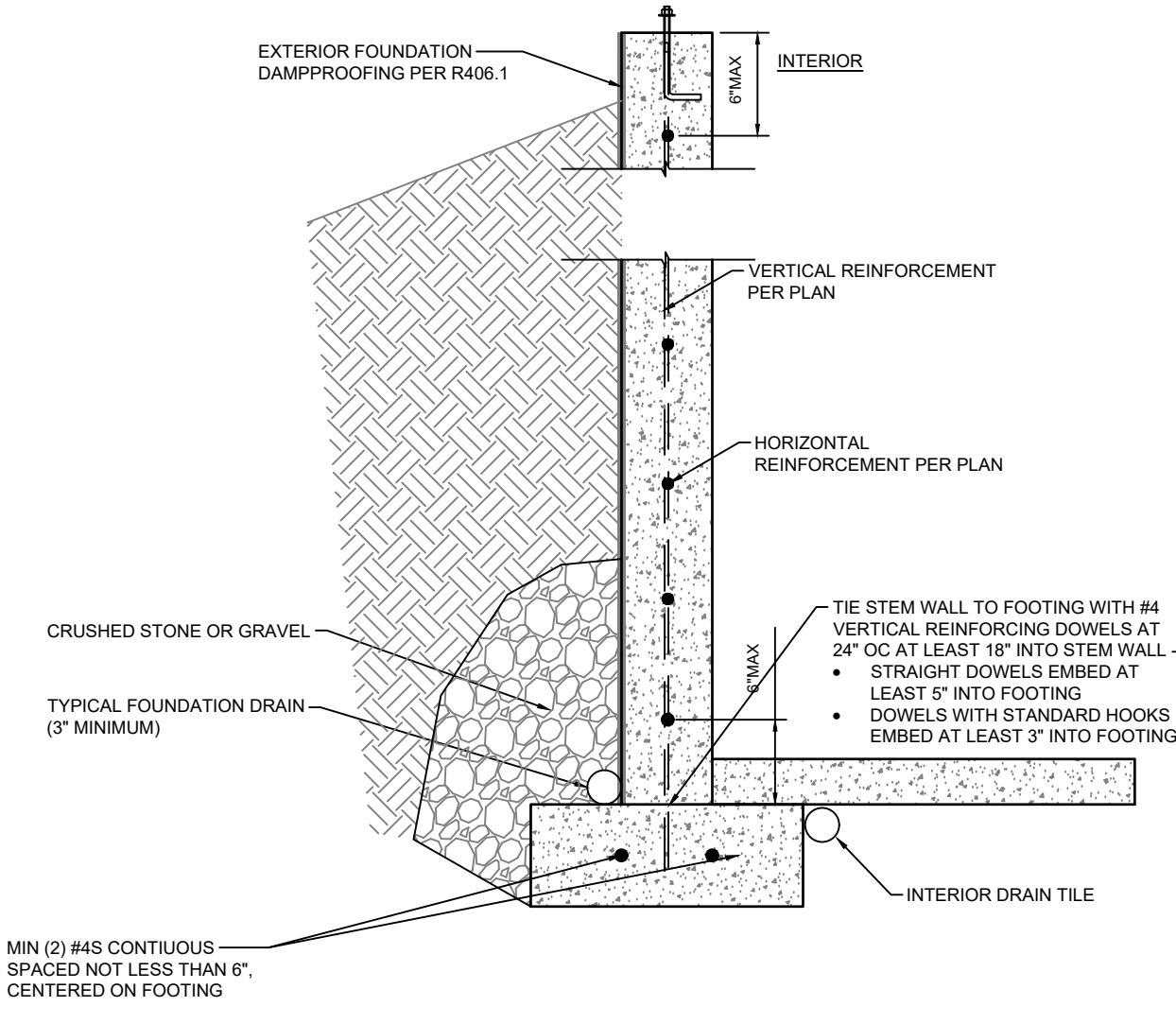
**6** FOUNDATION WALL JUMP DETAIL  
 S2.0 N.T.S.



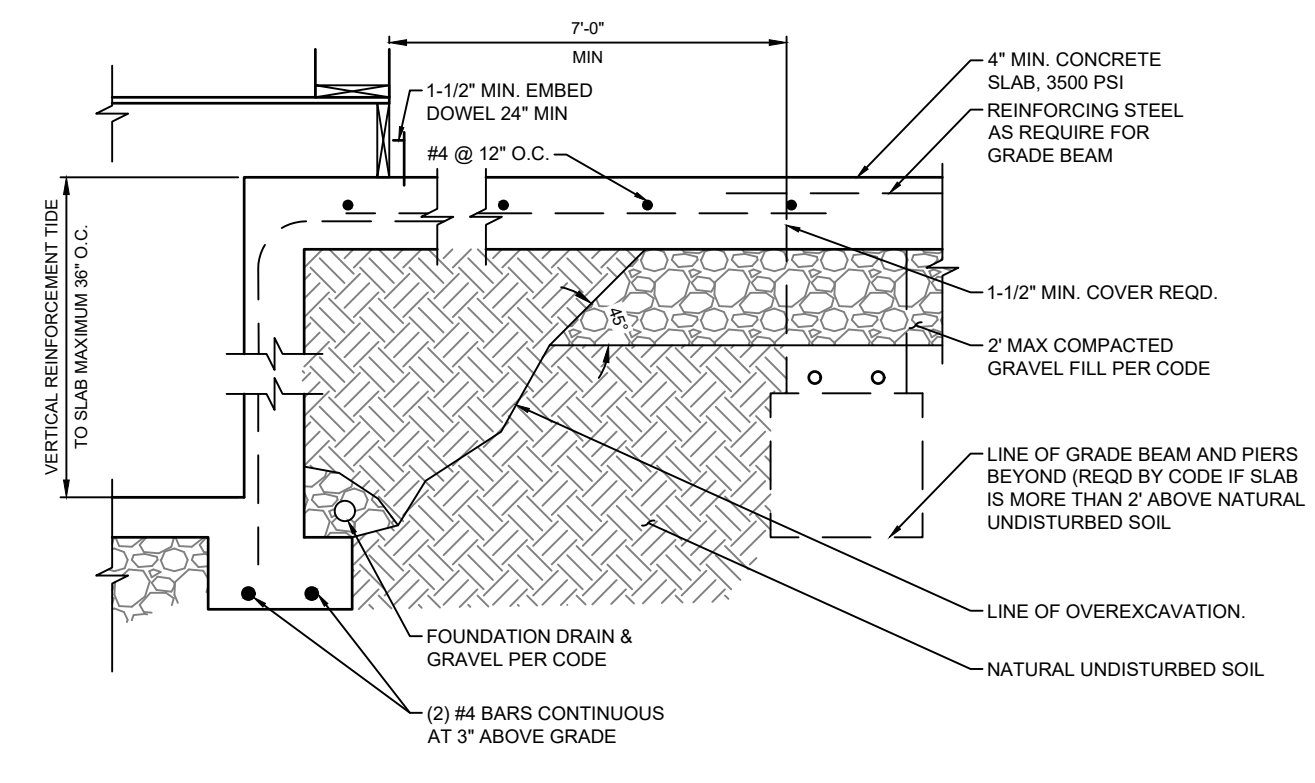
**5** FOUNDATION WALL JUMP DETAIL  
 S2.0 N.T.S.



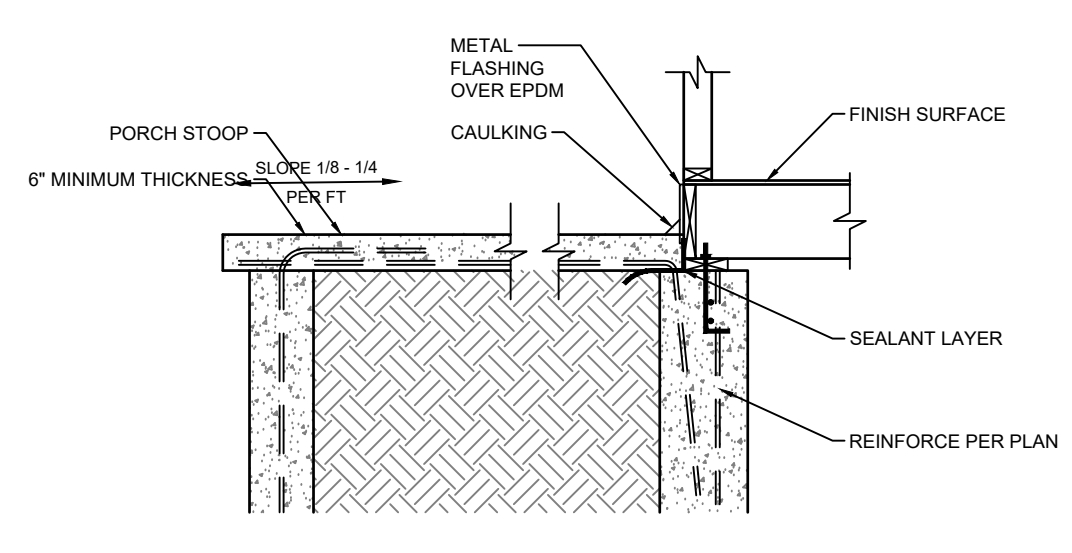
**9** SLAB OVER BEAM  
 S2.0 N.T.S.



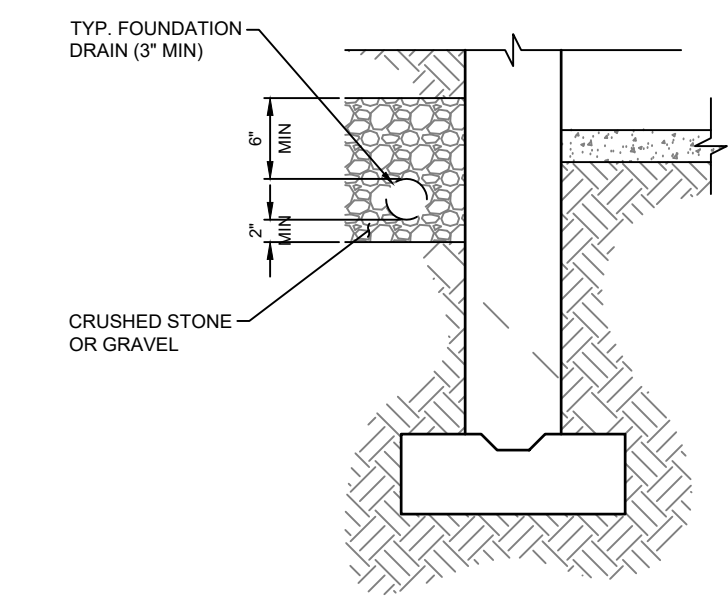
**4** TYPICAL WALL SECTION DETAIL  
 S2.0 N.T.S.



**3** TYPICAL FOOTING/FOUNDATION WALL/STANDARD  
 S2.0 SLAB AT MAX 4' OVERDIG  
 N.T.S.



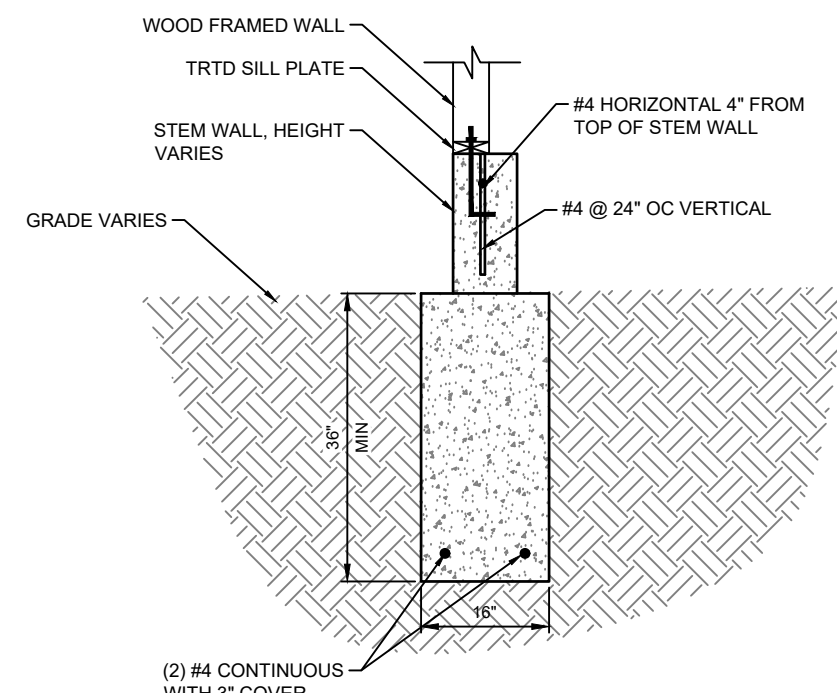
**2** STANDARD PORCH SLAB  
 S2.0 N.T.S.



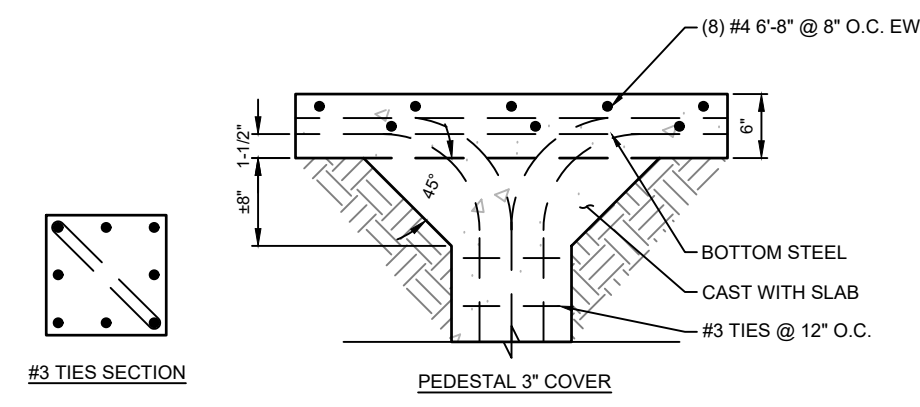
**1** FOUNDATION DRAIN DETAIL & RAISED SLAB  
 S2.0 N.T.S.



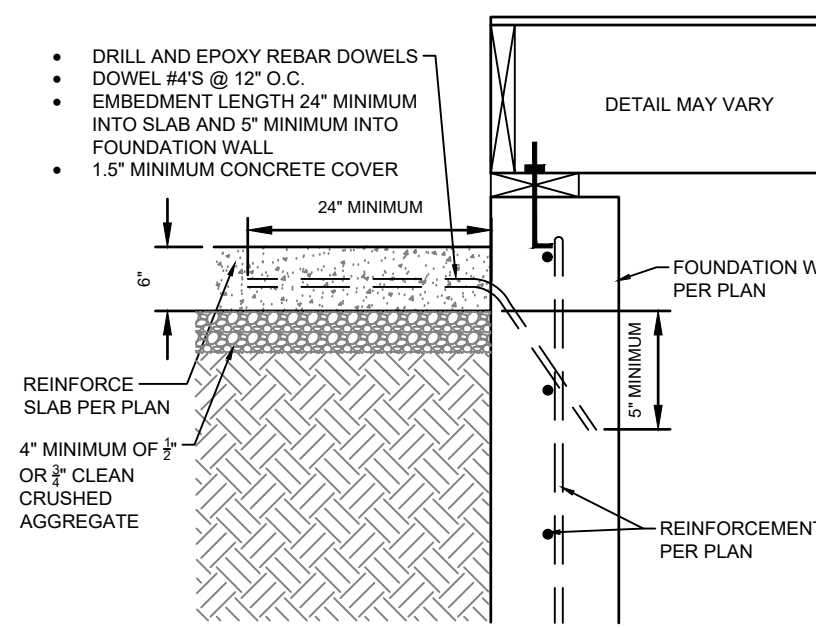
THE FOLLOWING DETAILS MEET OR EXCEED KCMO  
CPD-DS, AND JOHNSON COUNTY STANDARDS



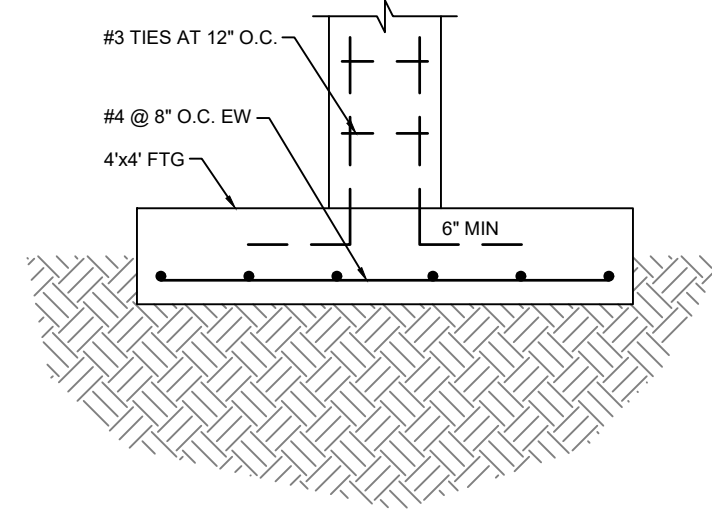
10 S3.0 TRENCH FOOTING WITH STEM WALL  
N.T.S.



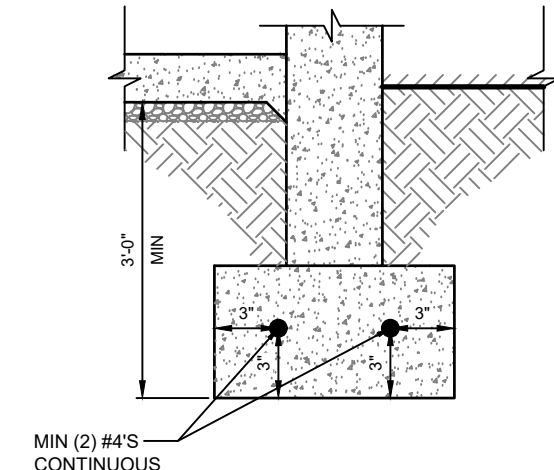
9 S3.0 SLAB AT PEDESTAL  
N.T.S.



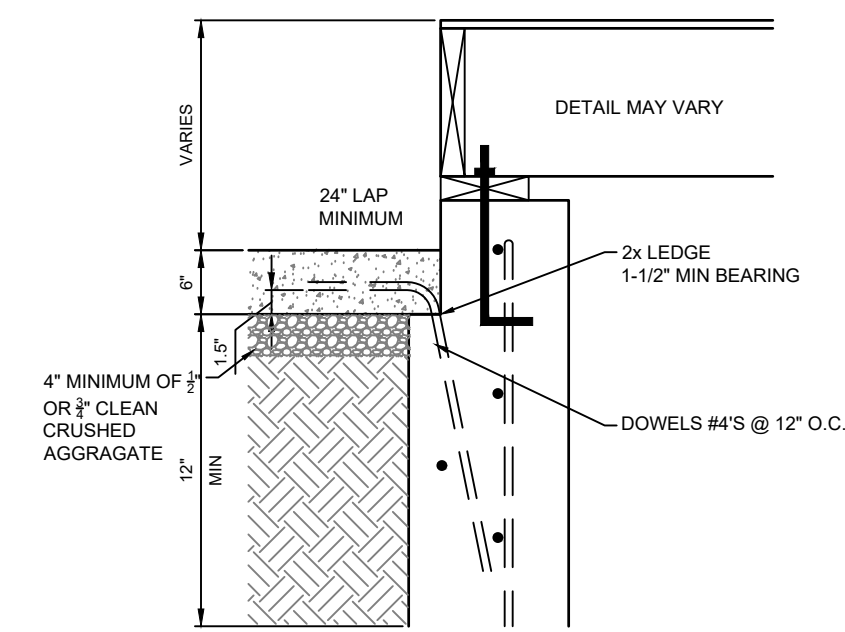
8 S3.0 ALTERNATE SLAB AT WALL  
N.T.S.



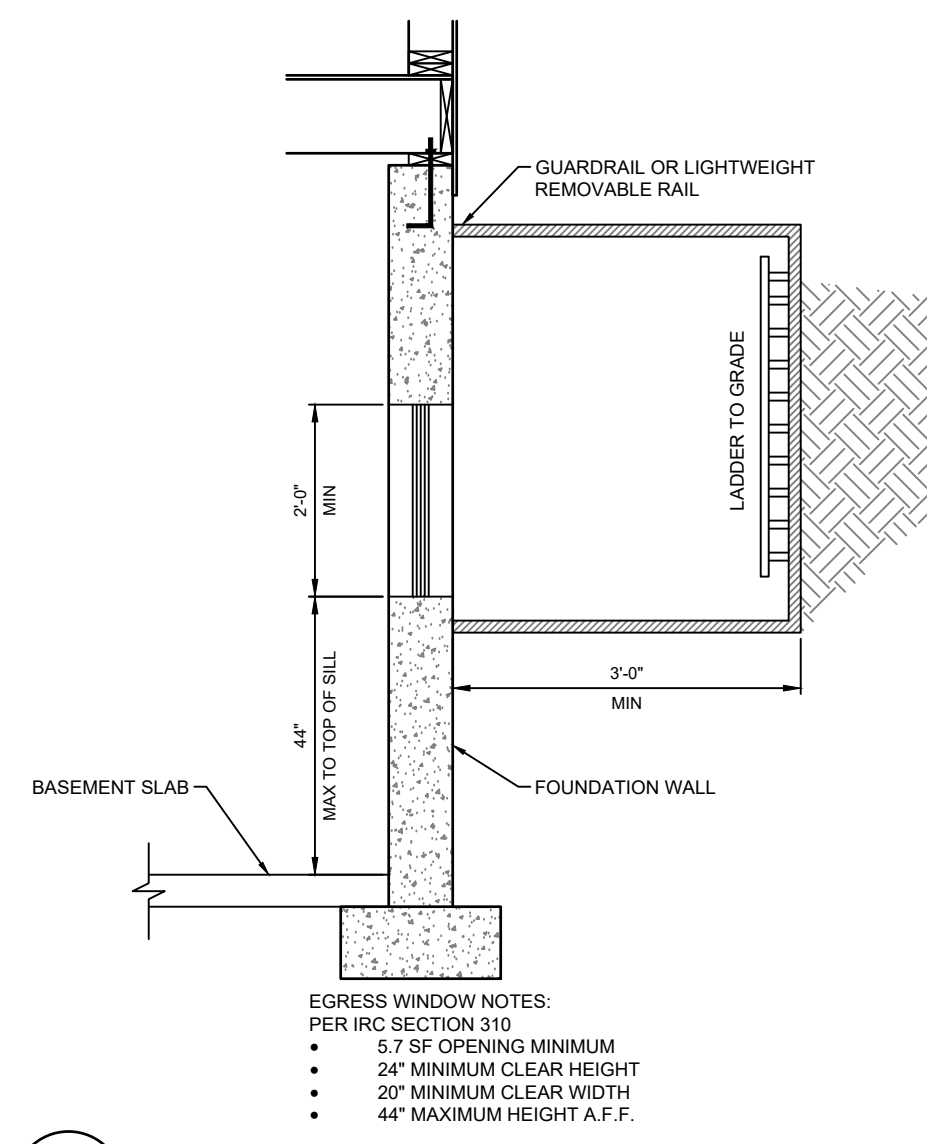
7 S3.0 PEDESTAL AT FOOTING  
N.T.S.



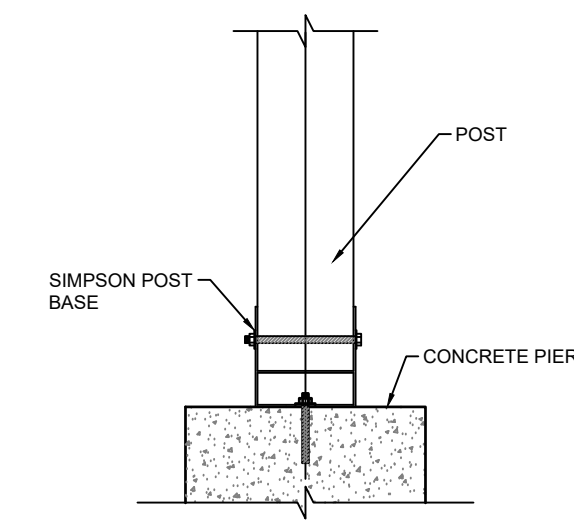
6 S3.0 FOOTING DETAIL  
N.T.S.



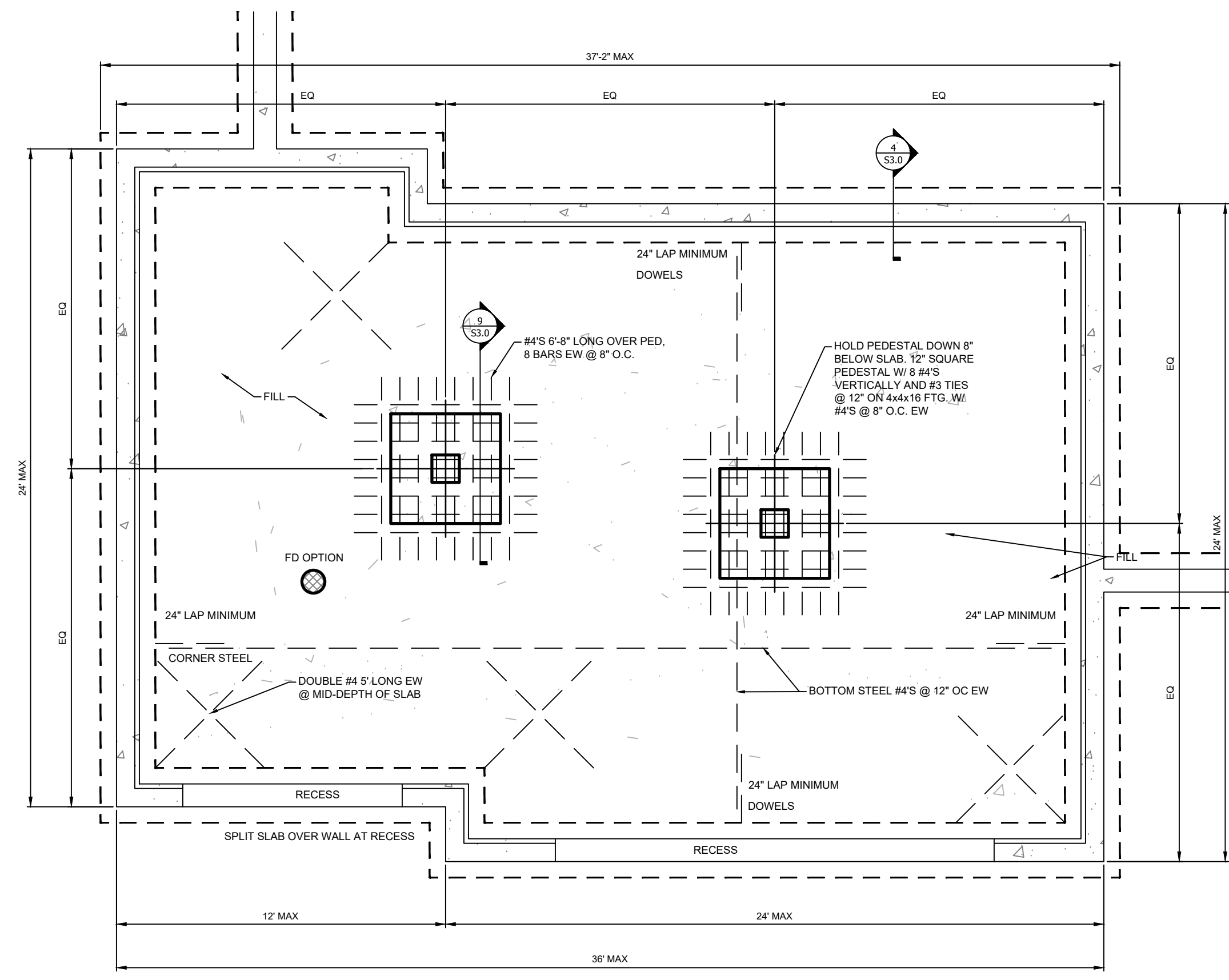
4 S3.0 SLAB AT WALL  
N.T.S.



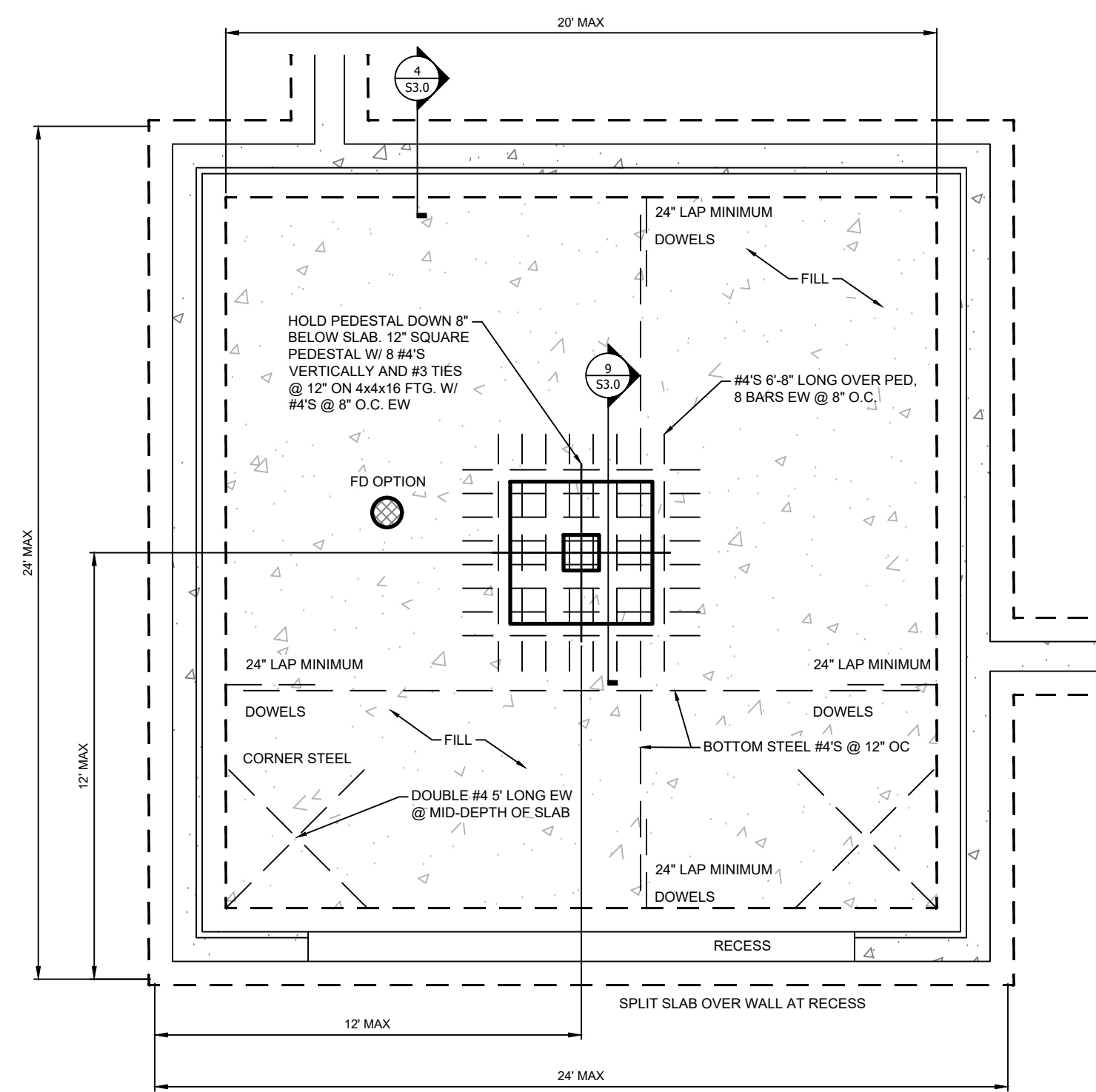
3 S3.0 TYPICAL EGRESS WINDOW SECTION DETAIL  
N.T.S.



2 S3.0 POST BASE DETAIL  
N.T.S.



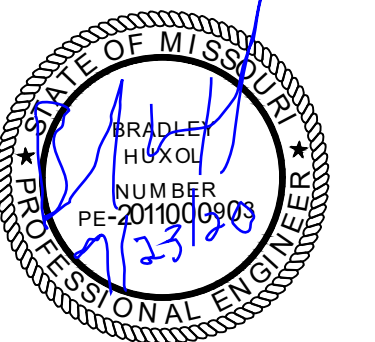
5 S3.0 GARAGE SLAB ON FILL  
N.T.S.



1 S3.0 GARAGE SLAB ON FILL  
N.T.S.



RESIDENTIAL ENGINEERING SERVICES, LLC  
WWW.RES-KC.COM  
600 SW JEFFERSON ST SUITE 300  
LEES SUMMIT, MO 64063  
(816) 399-4901



FOUNDATION DETAILS

SHEET #

S3.0