

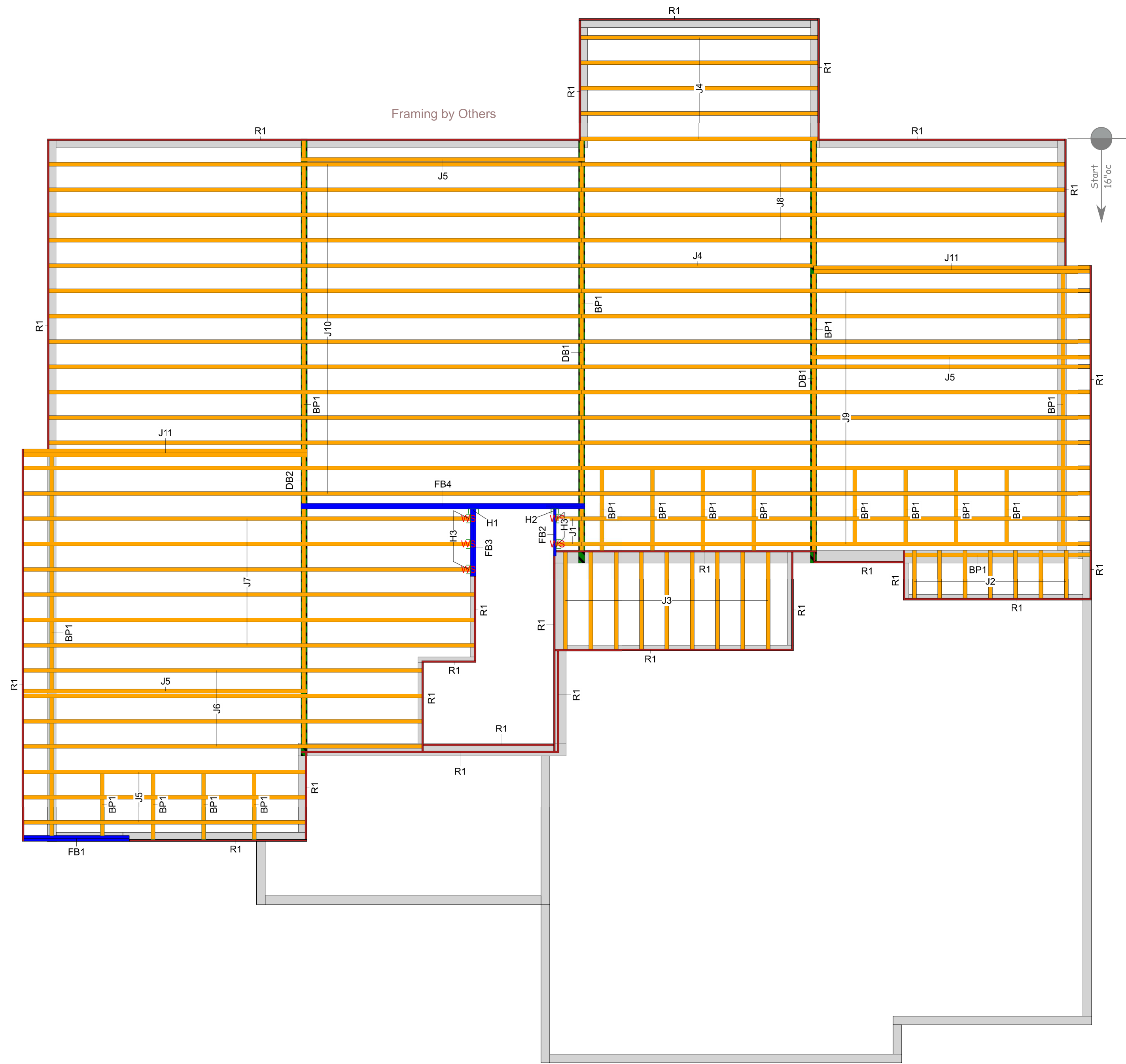
Ground Floor

Legend	
WS	Web Stiffener
W	Wall
onCENTER Rim Board SE 1.125 X 9.5	
BLI 40 9.5	
onCENTER 2.0E LVL 1.75 X 9.5	
4 X 4 (Dropped)	

- GENERAL NOTES:**
- 1.) See Attached Installation Guide
  - 2.) Care should be taken when setting I-joists to avoid plumbing drops and mechanical chases. (DO NOT CUT OR DRILL THROUGH I-JOISTS FLANGES)
  - 3.) All walls, headers and beams are to be adequately designed and supplied by others to support all loads applied to them
  - 4.) (Dealer) recommends gluing and nailing floor sheathing to I-joists
  - 5.) I-joist spacing is not to exceed spacing shown on placement plan.
  - 6.) All headers are assumed dropped below I-joist framing unless noted otherwise.
  - 7.) Solid blocking down to foundation is to be provided by others at all headers, beams and girder bearing points.
  - 8.) Provisions must be made by others to avoid excessive moisture content in lumber. Engineered wood products shall not be placed in any environment that will cause the moisture content of the wood to exceed 19%.
  - 9.) Construction loads such as stacking of drywall, plywood, shingles, masonry materials, mechanical equipment, etc. in any one concentrated area on I-joists is strictly prohibited. I-joists are not designed for these types of conditions.

- Additional Notes**
1. THIS PLACEMENT PLAN IS TO BE REVIEWED AND APPROVED BY THE ARCHITECT/ENGINEER OF RECORD PRIOR TO INSTALLATION OF EWP PRODUCTS
  2. BLUELINX CANT BE LIABLE FOR CHANGES MADE TO THIS PLAN WITHOUT WRITTEN APPROVAL

Layout Scale 1/4" = 1'



Ground Floor I Joist							
Label	Description	Width	Depth	Qty	Plies	Pcs	Length
J10	BLI 40	2.5	9.5			14	30-0-0
J9	BLI 40	2.5	9.5			11	28-0-0
J8	BLI 40	2.5	9.5			4	26-0-0
J7	BLI 40	2.5	9.5			6	24-0-0
J6	BLI 40	2.5	9.5			4	22-0-0
J5	BLI 40	2.5	9.5			6	16-0-0
J11	BLI 40	2.5	9.5	2	2	4	16-0-0
J4	BLI 40	2.5	9.5			6	14-0-0
J3	BLI 40	2.5	9.5			9	6-0-0
J2	BLI 40	2.5	9.5			7	4-0-0
J1	BLI 40	2.5	9.5			2	2-0-0

Blocking							
Label	Description	Width	Depth	Qty	Plies	Pcs	Length
BP1	BLI 40	2.5	9.5	LinFt		Varies	138-0-0

LVL/LSL							
Label	Description	Width	Depth	Qty	Plies	Pcs	Length
FB4	onCENTER 2.0E LVL	1.75	9.5	1	2	2	16-0-0
FB1	onCENTER 2.0E LVL	1.75	9.5	1	2	2	6-0-0
FB3	onCENTER 2.0E LVL	1.75	9.5	1	2	2	4-0-0
FB2	onCENTER 2.0E LVL	1.75	9.5			1	4-0-0

Rim Board							
Label	Description	Width	Depth	Qty	Plies	Pcs	Length
R1	onCENTER Rim Board SE 1.125 X 9.5	1.125	9.5			20	12-0-0

Hanger							
Label	Pcs	Description	Skew	Slope			
H1	1	HHUS410					
H2	1	HU9 (Max)					
H3	5	IUS2.56/9.5 (Max)					

Beam By Others							
Label	Description	Width	Depth	Qty	Plies	Pcs	Length
DB2	[Beam per Blueprint]	4	4			1	34-0-0
DB1	[Beam per Blueprint]	4	4			2	24-0-0

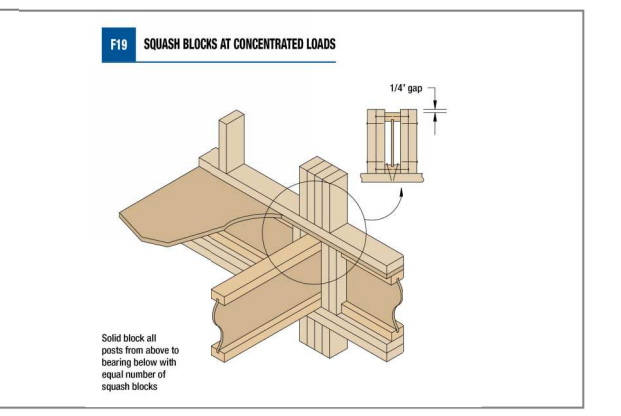
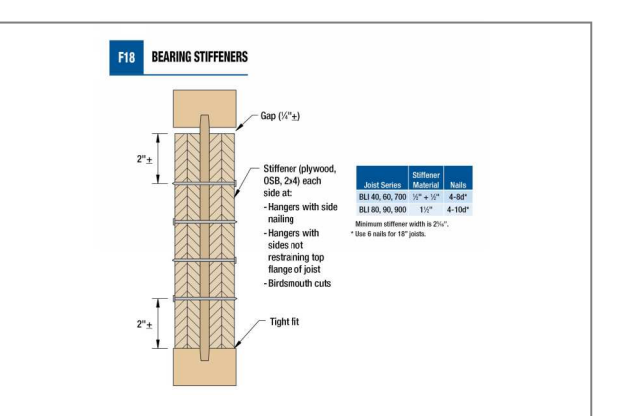
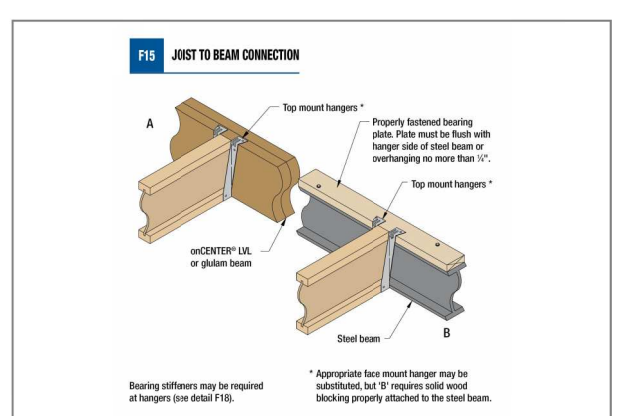
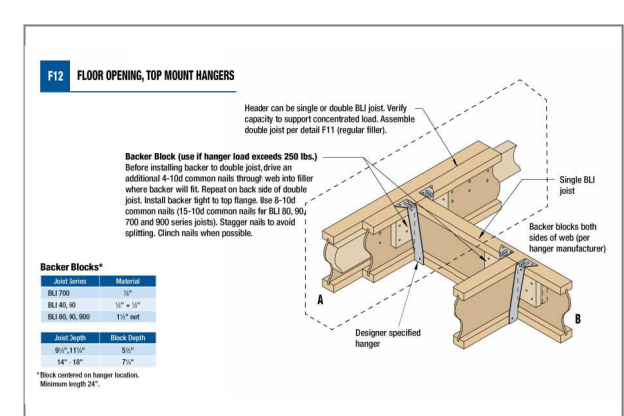
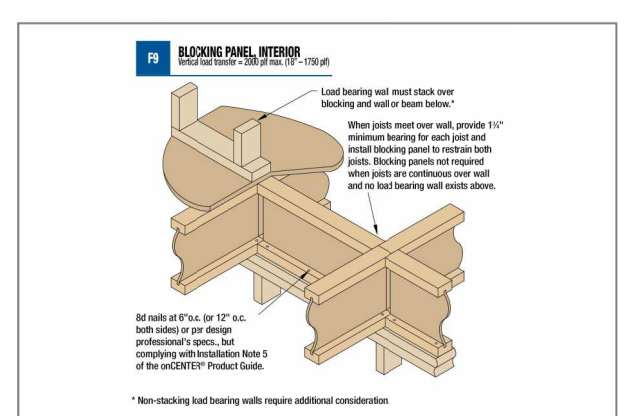
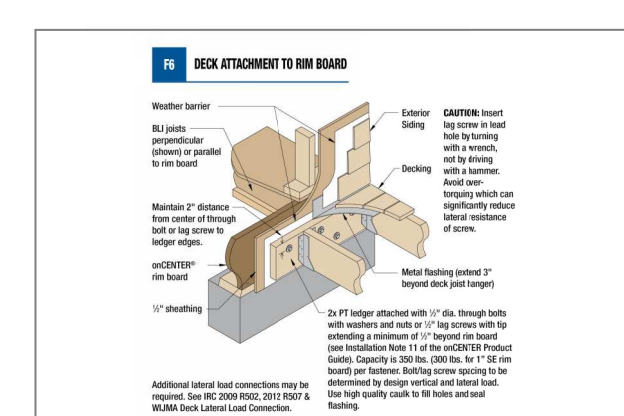
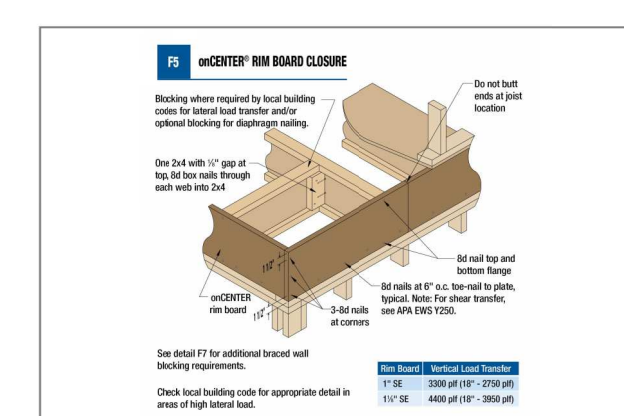
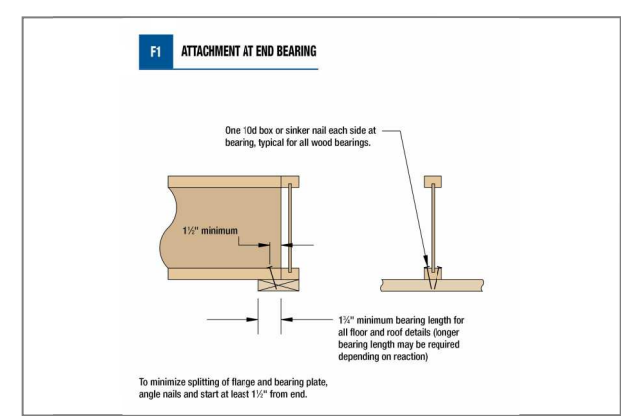
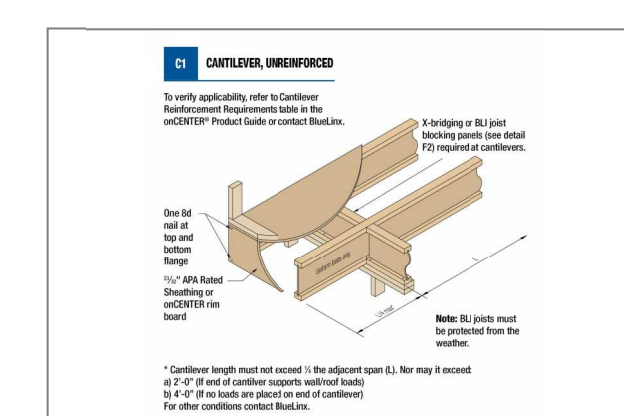
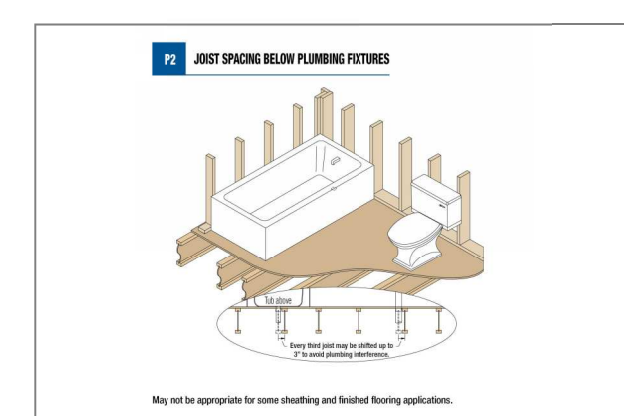
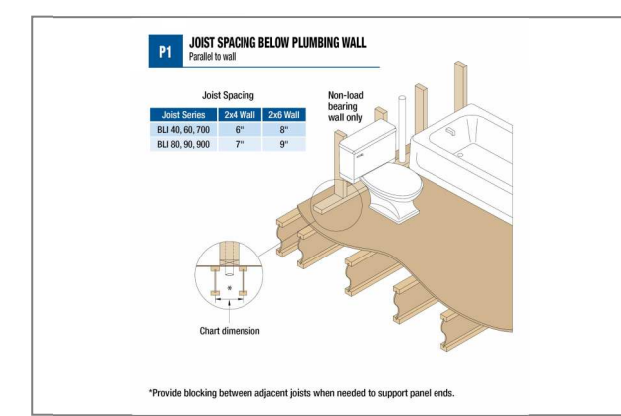
Van Deurzen and Associates, P.A.  
11011 King Street, Suite 130  
Overland Park, KS 66210  
(913) 451-6305 FAX: (913) 451-1021

This shop drawing has been reviewed for conformance with the design concept and information given in the Contract Documents.

Reviewed with no exceptions noted.  
 Reviewed as noted.  
 Returned for correction.  
 Not Reviewed.

By: CMS Date: 08/18/2020

**RELEASE FOR CONSTRUCTION**  
AS NOTED ON PLANS REVIEW DEVELOPMENT SERVICES  
LEE'S SUMMIT, MISSOURI  
08/19/2020



**BlueLinX Corporation**  
1727 Warren St.  
North Kansas City, MO. 64116  
Phone: (816) 842-3367  
VISIT US ON THE WEB AT: <https://blueinxco.com>

**Builder**  
84 LUMBER  
**Layout Name**  
20-07383R1 Gunnison Modern  
**Project** **Shipping**  
20-07383 2357 SW River Trail Rd LSMO / Lot 716 Eagle Creek  
**Created** **Revised**  
July 29, 2020 July 31, 2020  
**Designer**  
Scott Van Cleave

**Ground Floor**

Design Method	ASD (USA)
Building Code	IBC/IRC 2015
<b>Loads</b>	
Live	40
Dead	10
<b>Deflection Joist</b>	
LL Span L/	480
TL Span L/	240
LL Cant 2L/	360
TL Cant 2L/	360
<b>Deflection Girder</b>	
LL Span L/	360
TL Span L/	240
LL Cant 2L/	360
TL Cant 2L/	360
<b>Decking</b>	
OSB	0.58
23/32 APA Rated Surock-Floor	
<b>Fastener</b>	Nailed & Glued

**SHEET**  
1 OF 1