

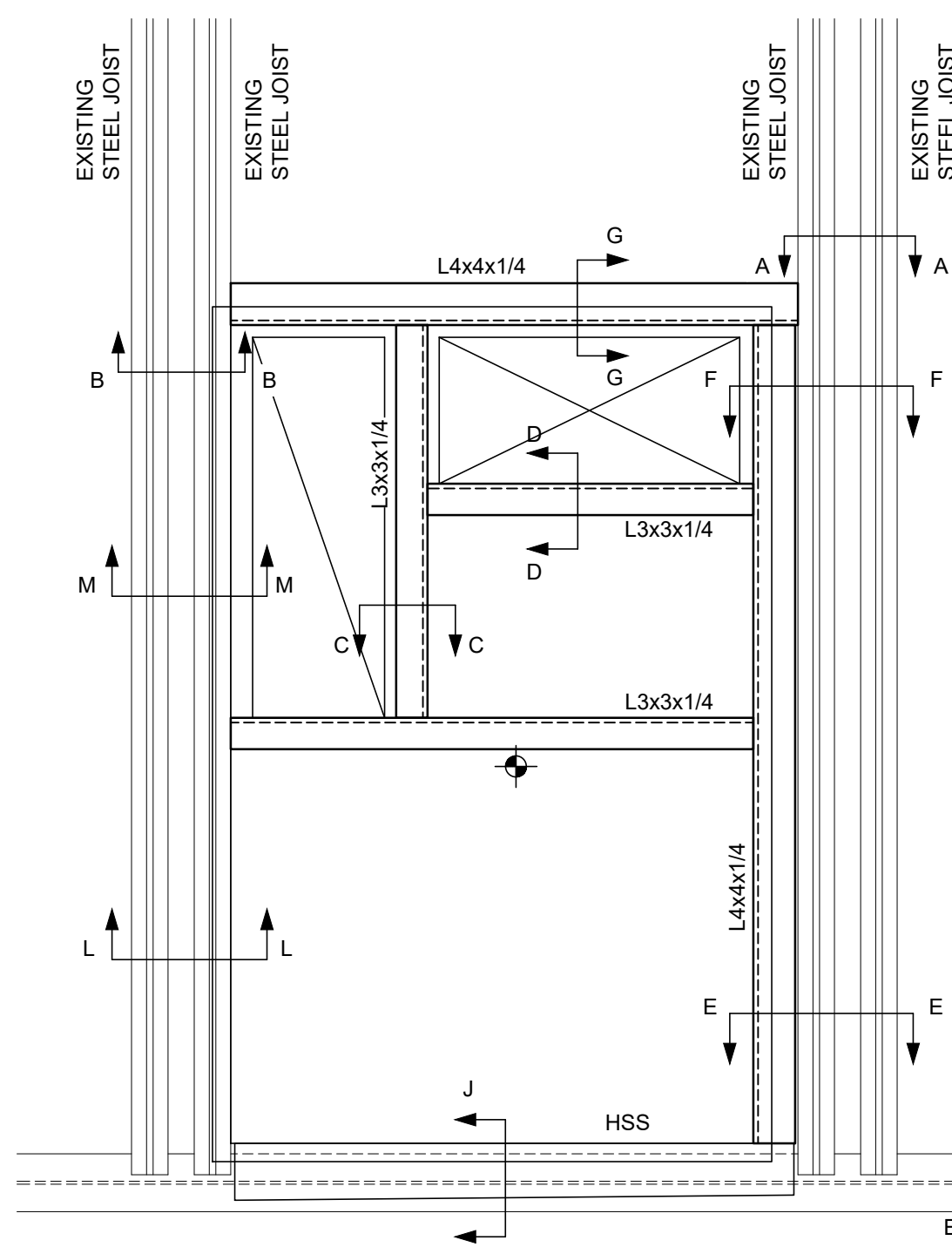
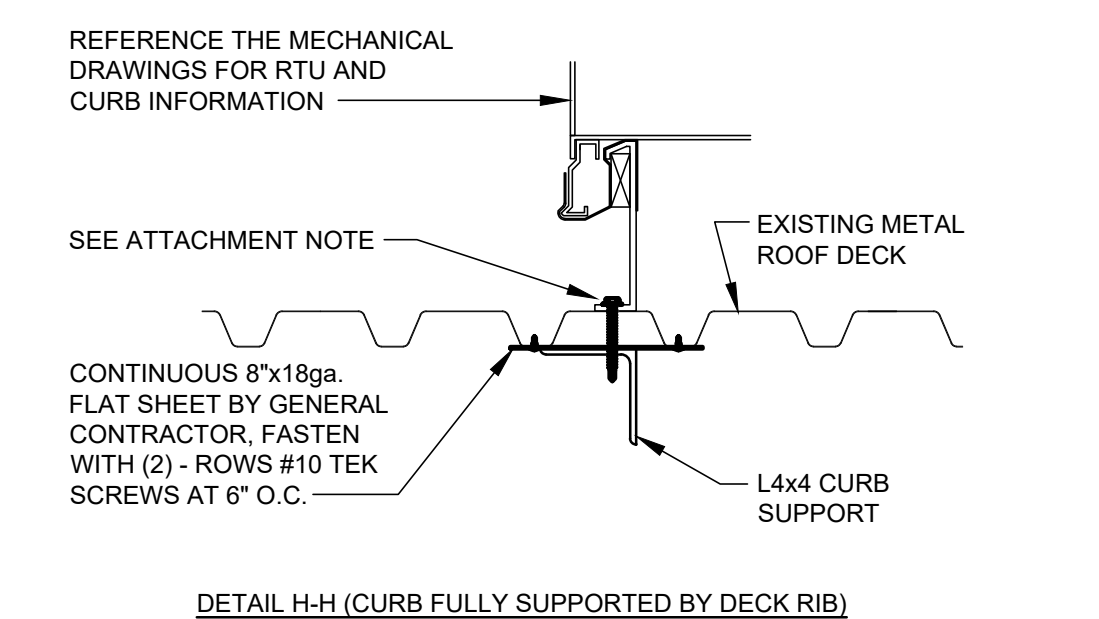
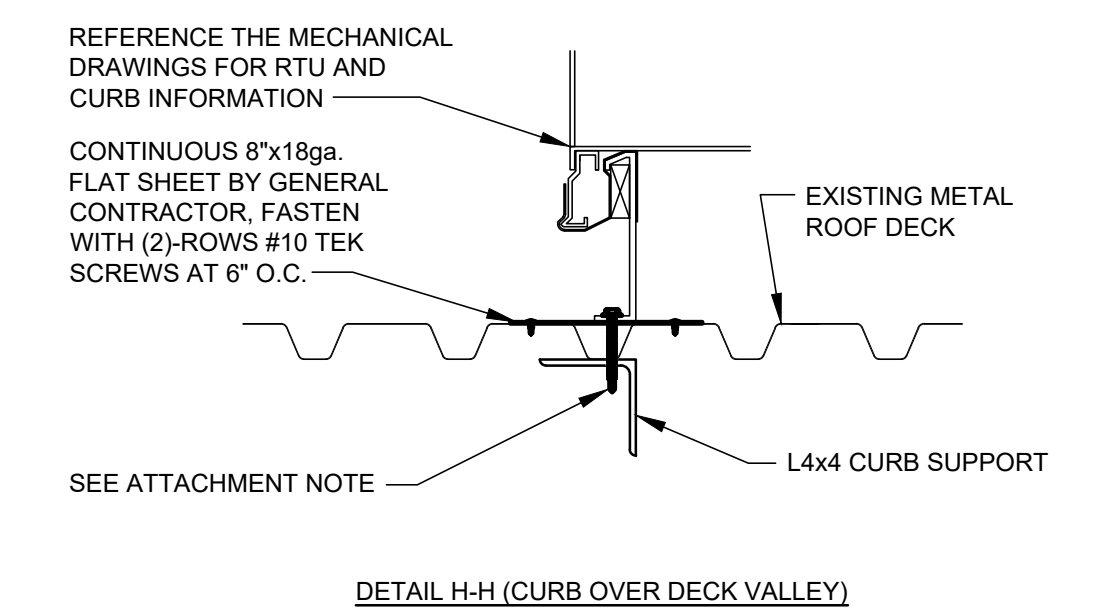
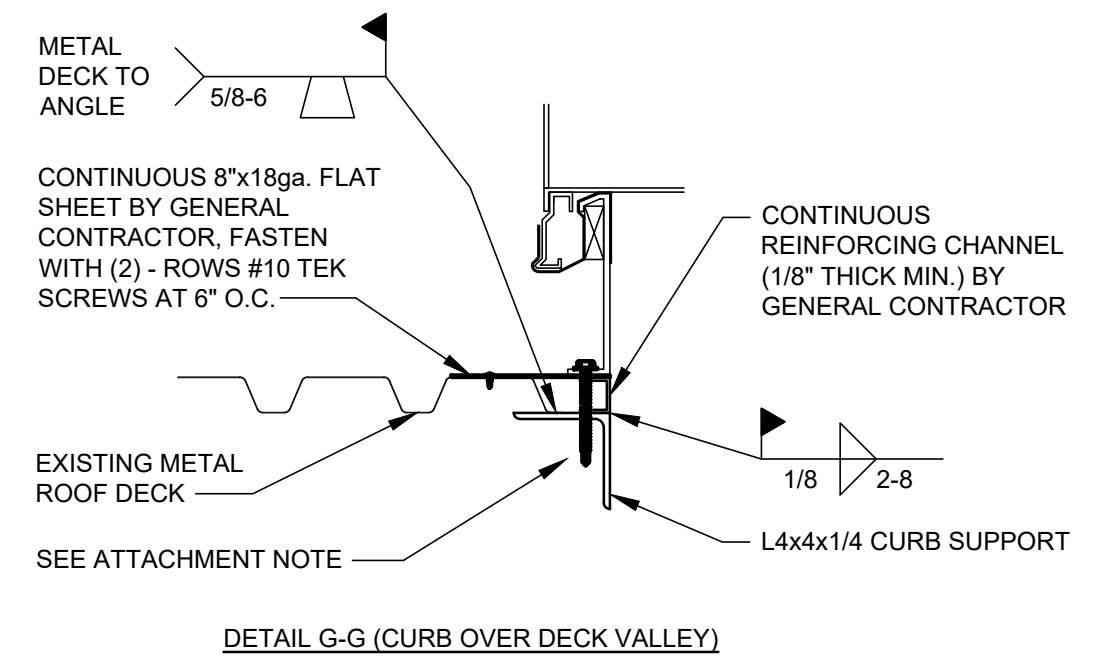
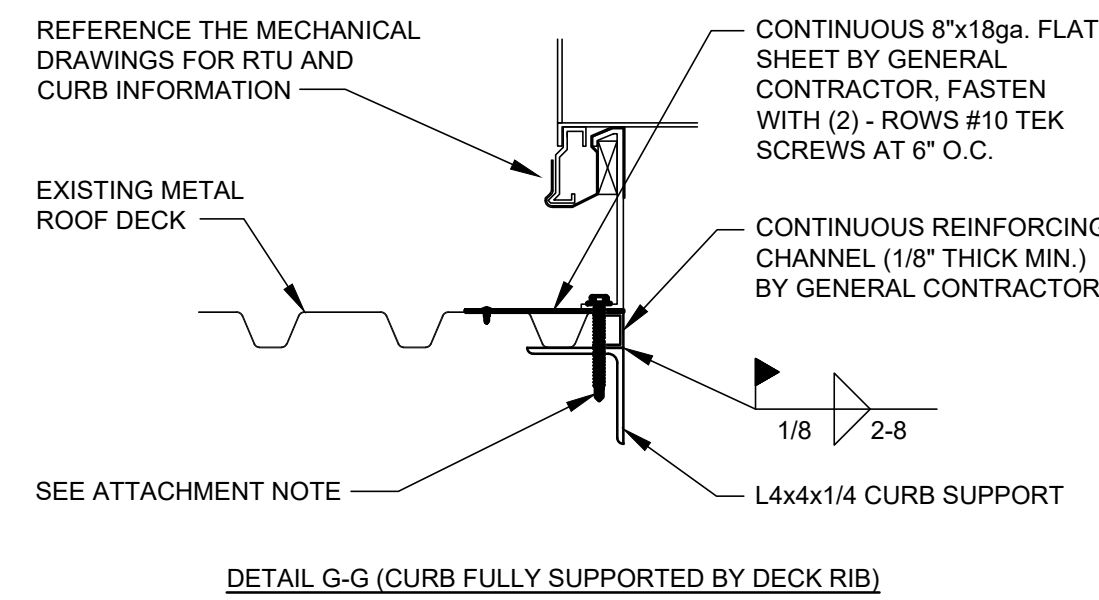
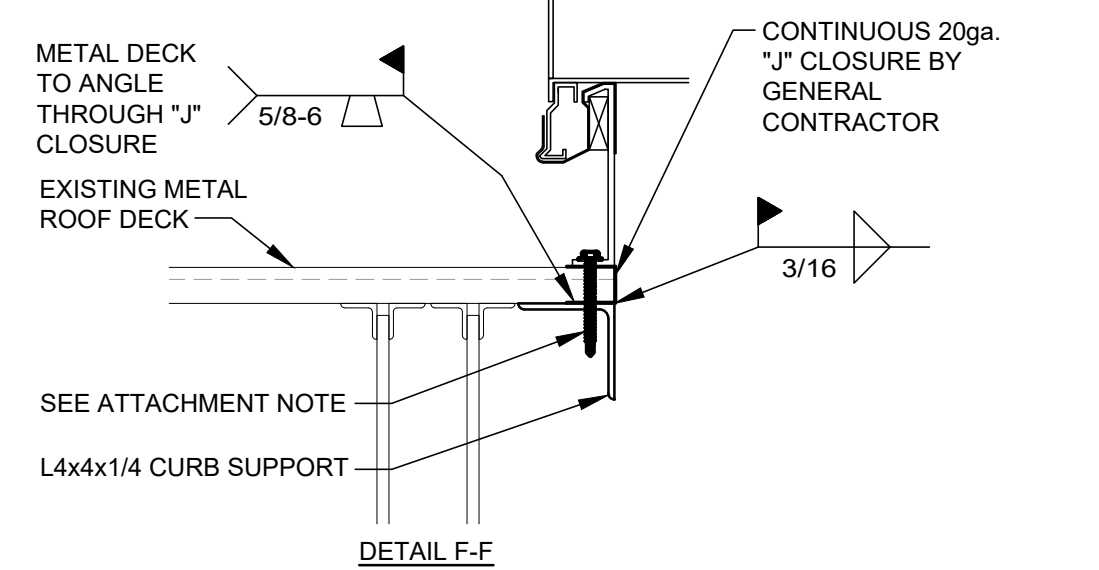
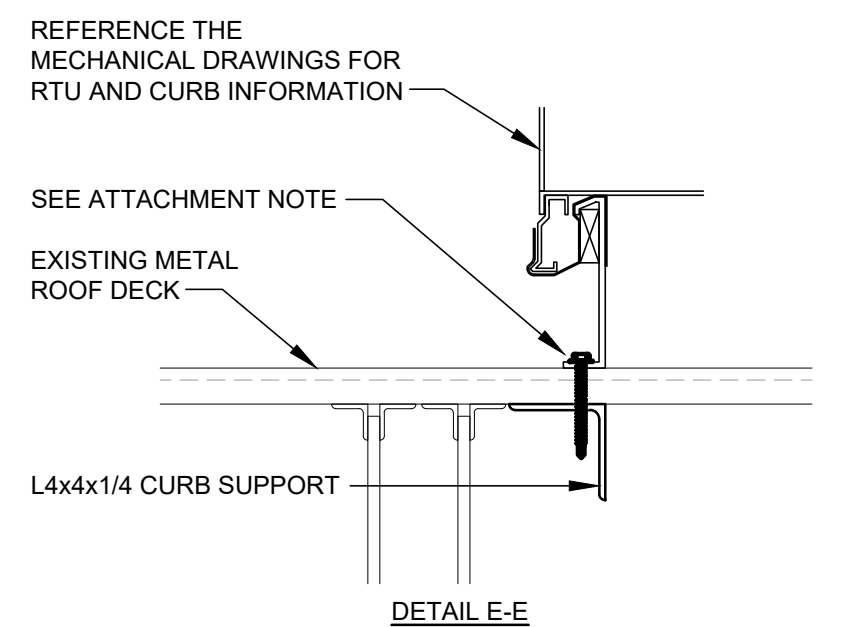
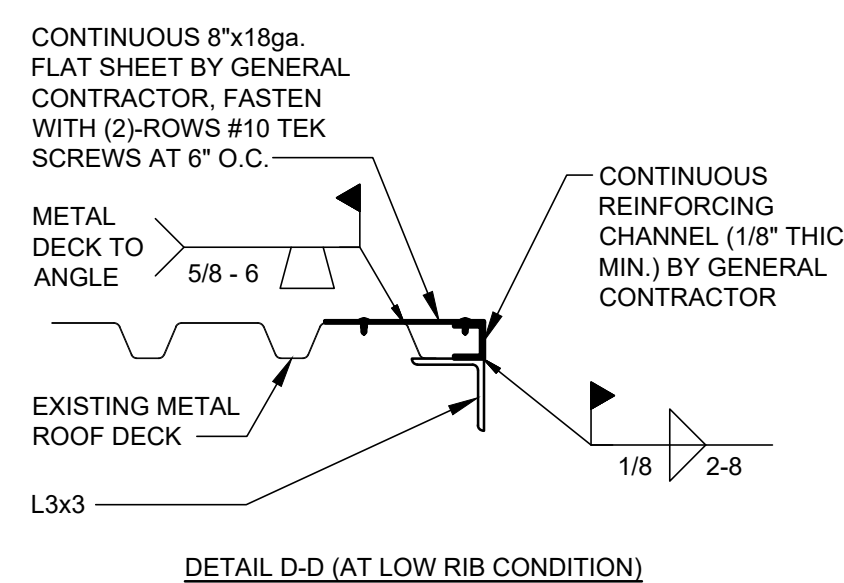
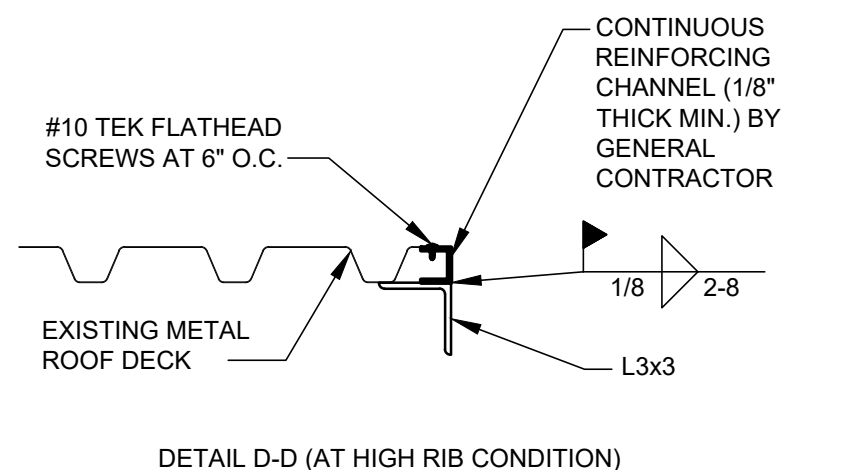
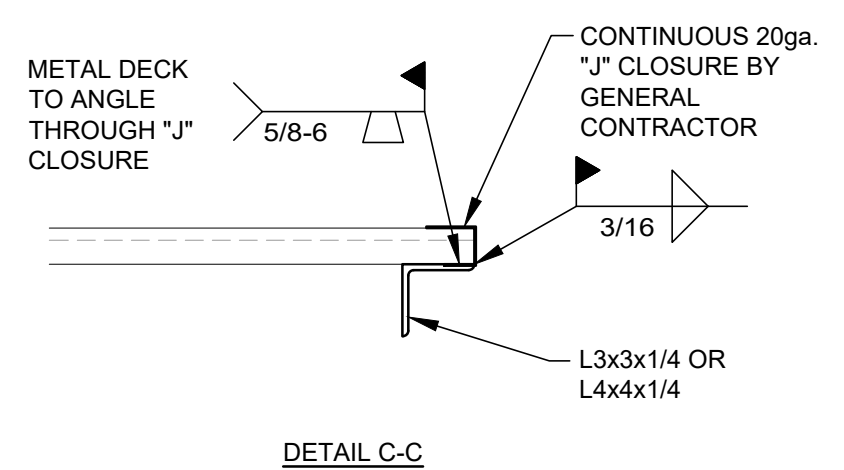
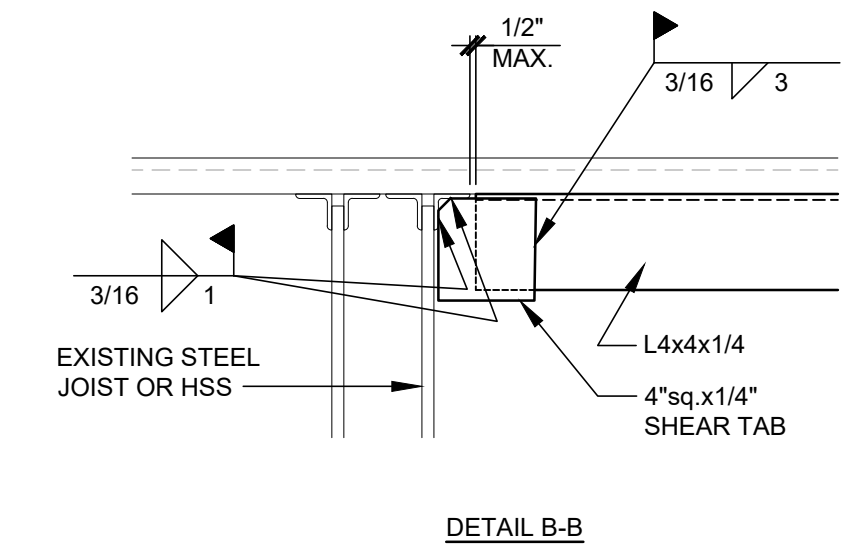
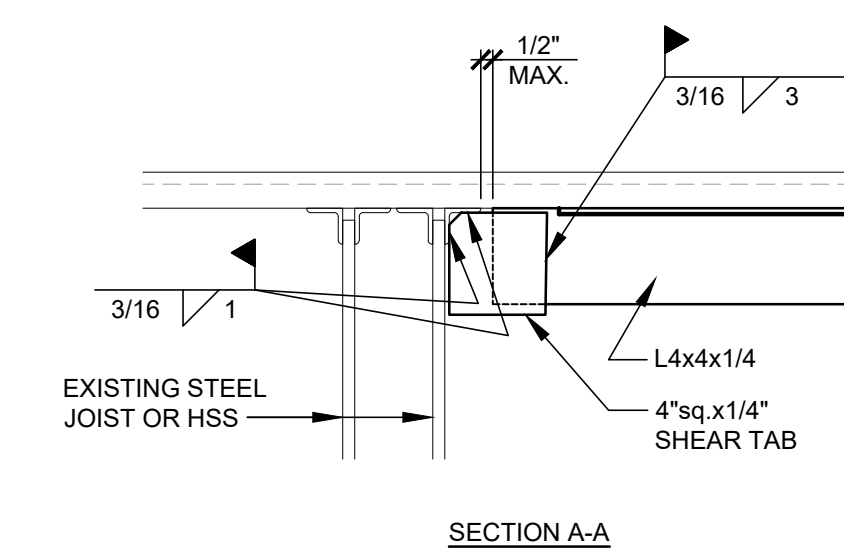
CONSTR. DOC. & REVISIONS	
No.	Description
Owner Review	Owner Review
Date	05/17/20



6/17/20

Drawn By/Checked By: BWT/NDM  
Project Number: 320488  
Permit Date: 06-17-20

**ROOF TOP UNIT  
SUPPORT PLANS  
& DETAILS  
S402**



**ATTACHMENT NOTE:**  
ANCHOR CURB WITH (3) 1/4"Ø SELF DRILLING SCREWS ALONG SHORT DIM. OF UNIT & (5) 1/4"Ø SELF DRILLING SCREWS ALONG LONG DIM. OF UNIT - LOCATE 6" FROM EACH END OF CURB AND AT EQUALLY SPACED INTERVALS IN BETWEEN - TYPICAL EACH SIDE OF CURB

**NOTES:**  
1. CUT AND REMOVE EXISTING ROOF DECK AFTER FRAME IS INSTALLED, IMMEDIATELY PRIOR TO INSTALLING EQUIPMENT. CUT OPENINGS FOR DUCT PENETRATIONS ONLY.  
2. COORDINATE WITH THE MECHANICAL DRAWINGS AND MECHANICAL CONTRACTOR FOR ALL CURB AND DUCT OPENING DIMENSIONS FOR ROOF TOP EQUIPMENT.

