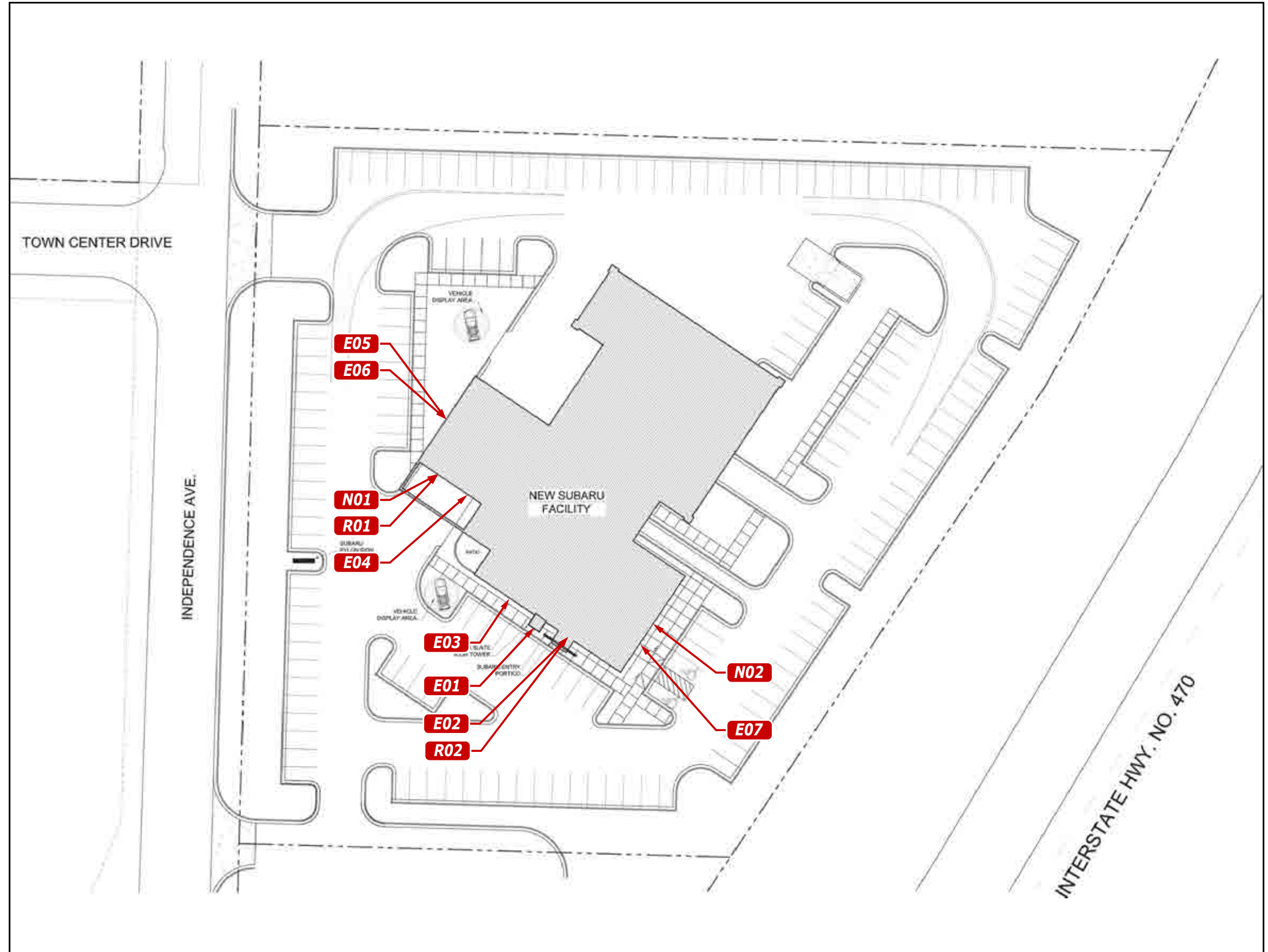


# SIGN INVENTORY

SITE: SUB07086 Lee's Summit Subaru		
SIGN	PAGE	PROPOSED SIGN
E01	2	Existing 53"h 2005 Chrome Logo
E02	2	Existing 36"h 2005 "SUBARU" Chnl Ltrs
E03	2	Existing 24"h "LEE'S SUMMIT" Chnl Ltrs
E04	2	Existing 18"h "SERVICE" Channel Ltrs
N01	2	12"h "EXPRESS" Channel Letters
E05	3	Existing 53"h 2005 Chrome Logo
E06	3	Existing 36"h 2005 "SUBARU" Chnl Ltrs
E07	4	Existing 36"h 2005 Chrome Logo
N02	4	24"h 2005 "SUBARU" Chnl Ltrs
R01	9	Remove and Scrap
R02	9	Remove and Scrap

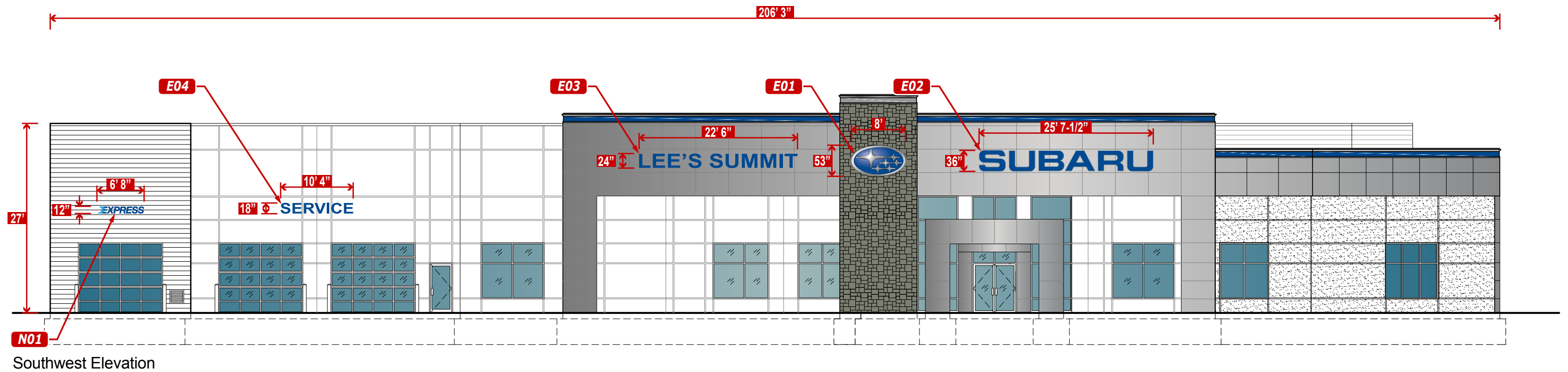


TITLE	Subaru	DWG BY	ZAS	DATE	08.30.19
ADDRESS	SUB07086 Lee's Summit Subaru 2101 NE Independence Avenue Lee's Summit, MO 64086	DWG NUM	B84800	SHEET	1



DATE	---	REVISION	---	BY	---
<b>SUBARU</b> Retailer Executive Manager Signature: _____ Date: _____					

THIS IS AN ORIGINAL UNPUBLISHED DRAWING CREATED BY P.S.C.O. IT IS SUBMITTED FOR YOUR PERSONAL USE IN CONJUNCTION WITH A PROJECT BEING PLANNED FOR YOU BY P.S.C.O. IT IS NOT TO BE SHOWN TO ANYONE OUTSIDE YOUR ORGANIZATION NOR IS IT TO BE USED, COPIED, REPRODUCED, OR EXHIBITED IN ANY FASHION.

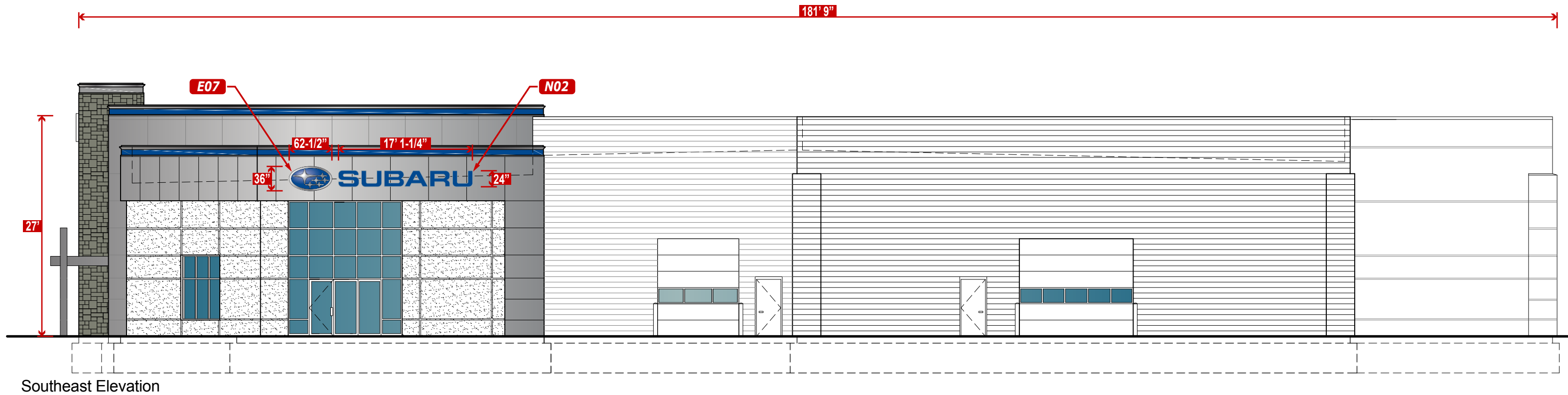
- E01 Existing 53" 2005 Illum Logo - 53"h x 8' 0"w (35.3 Sq Ft)
  - E02 Existing 36" 2005 Illum Blue Channel Letters "SUBARU" - 25' 7-1/2" OAL (76.9 Sq Ft)
  - E03 Existing 24" Illum Blue Channel Letters "LEE'S SUMMIT" - 22' 6" OAL (45 Sq Ft)
  - E04 Existing 18" Illum Blue Channel Letters "SERVICE" - 10' 4" OAL (15.5 Sq Ft)
  - N01 12" Illum Blue Channel Letters "EXPRESS" - 6' 8" OAL (6.7 Sq Ft)
- NOTE:** Dealer letters & Service letters to be removed from raceway and reinstalled as individual letters if possible.





**ALL SIGNS RENDERED PROPORTIONALLY TO THE ELEVATIONS**

 <b>PHILADELPHIASIGN</b> <small>BRINGING THE WORLD'S BRANDS TO LIFE</small>	TITLE	Subaru	DWG BY	ZAS	DATE	08.30.19	DATE	REVISION	---	BY	THIS IS AN ORIGINAL UNPUBLISHED DRAWING CREATED BY P.S.C.O. IT IS SUBMITTED FOR YOUR PERSONAL USE IN CONJUNCTION WITH A PROJECT BEING PLANNED FOR YOU BY P.S.C.O. IT IS NOT TO BE SHOWN TO ANYONE OUTSIDE YOUR ORGANIZATION NOR IS IT TO BE USED, COPIED, REPRODUCED, OR EXHIBITED IN ANY FASHION.
	ADDRESS	SUB07086 Lee's Summit Subaru 2101 NE Independence Avenue Lee's Summit, MO 64086			DWG NUM	B84800	 <b>SUBARU</b> Retailer Executive Manager Signature: _____ Date: _____				
	SHEET	2									

- E07 Existing 36" 2005 Illum Logo - 36"h x 62-1/2"w (15.6 Sq Ft)
- N02 24" 2005 Illum Blue Channel Letters "SUBARU" - 17' 1-1/4" OAL (34.2 Sq Ft)
- NOTE: To be removed from raceway and reinstalled as individual letters if possible.



ALL SIGNS RENDERED PROPORTIONALLY TO THE ELEVATIONS

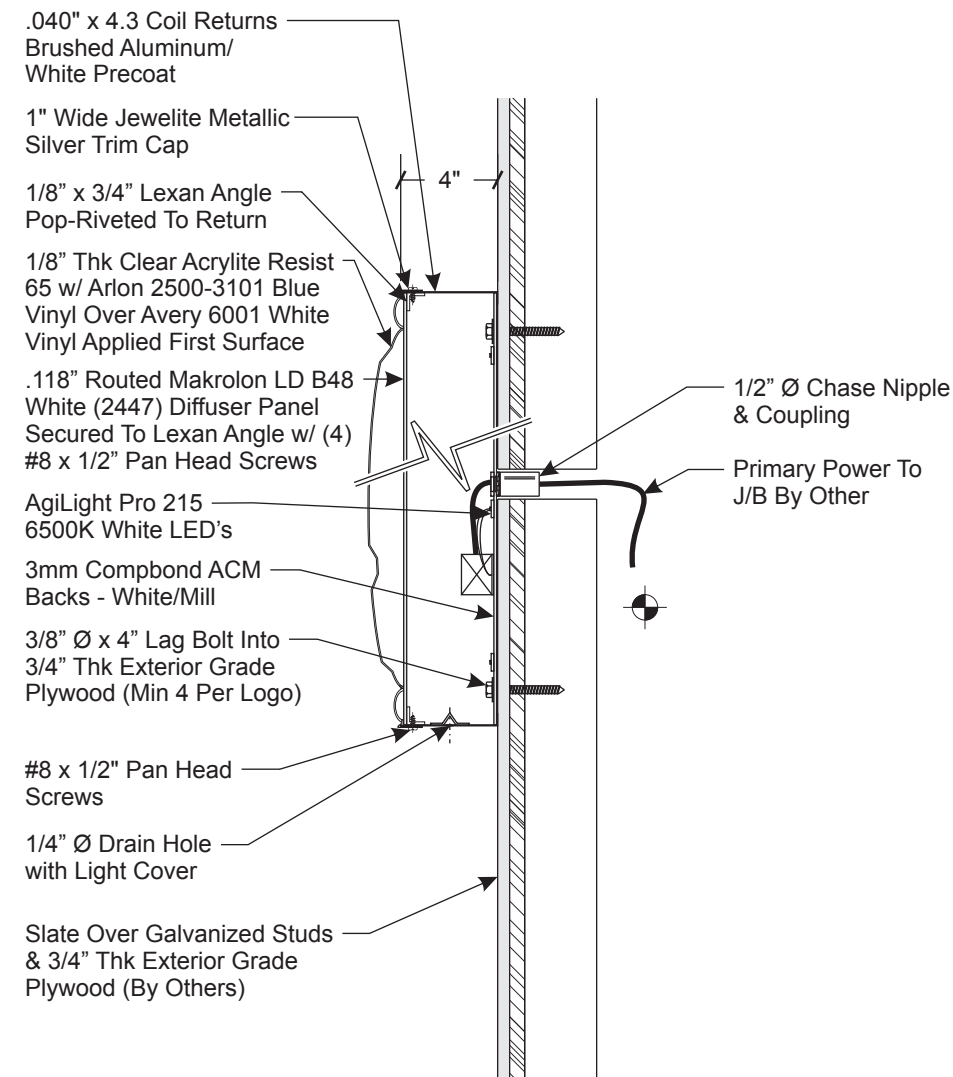
 <b>PHILADELPHIASIGN</b> BRINGING THE WORLD'S BRANDS TO LIFE	TITLE	Subaru	DWG BY	ZAS	DATE	08.30.19	DATE	REVISION	---	BY	
	ADDRESS	SUB07086 Lee's Summit Subaru 2101 NE Independence Avenue Lee's Summit, MO 64086			DWG NUM	B84800	 <b>SUBARU</b> Retailer Executive Manager Signature: _____ Date: _____				
	SHEET	4									

THIS IS AN ORIGINAL UNPUBLISHED DRAWING CREATED BY P.S.C.O. IT IS SUBMITTED FOR YOUR PERSONAL USE IN CONJUNCTION WITH A PROJECT BEING PLANNED FOR YOU BY P.S.C.O. IT IS NOT TO BE SHOWN TO ANYONE OUTSIDE YOUR ORGANIZATION NOR IS IT TO BE USED, COPIED, REPRODUCED, OR EXHIBITED IN ANY FASHION.

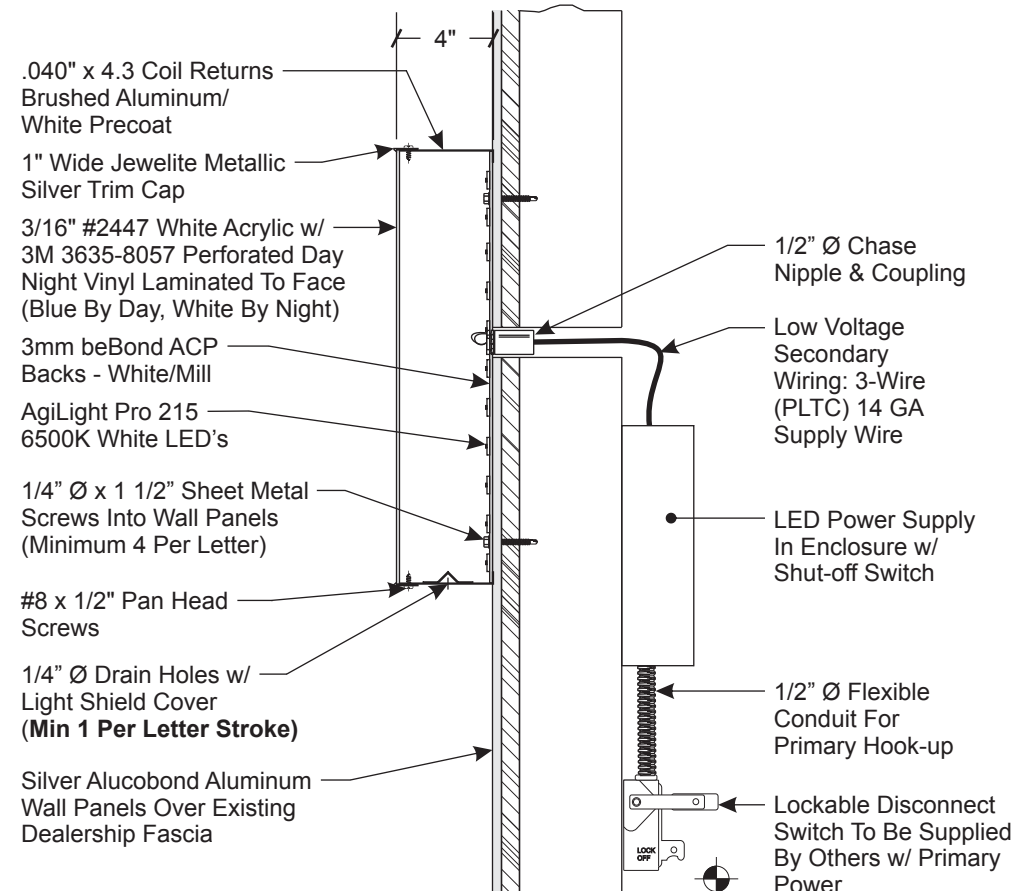


**E07 - 36" 2005 ILLUM LOGO**  
Scale: 1/2" = 1'-0"

**N02 - 24" 2005 ILLUM CHANNEL LETTERS**  
Scale: 1/2" = 1'-0"



**LOGO CROSS SECTION**  
SCALE: 1 1/2" = 1'-0"



**LETTER CROSS SECTION**  
SCALE: 1 1/2" = 1'-0"

**ELECTRICAL LOAD**  
2.0 Amps @ 120 Volts  
**ELECTRICAL REQ'MTS**  
(1) 20 Amp/120 Volt Circuit

**STANDARD WALL SIGN NOTES:**

1. Sufficient Primary Circuit In Vicinity Of Sign By Others.
2. Final Primary Hook-up By Sign Installer, Where Allowed By Local Codes.
3. Sign Shall Be U.L. Listed.
4. Mounting Hardware By Sign Installer.

**ELECTRICAL LOAD**  
3.0 Amps @ 120 Volts  
**ELECTRICAL REQ'MTS**  
(1) 20 Amp/120 Volt Circuit

**STANDARD LETTER NOTES:**

1. Sufficient Primary Circuit In Vicinity Of Sign By Others.
2. Letter To Letter Wiring & Final Primary Hook-up By Sign Installer, Where Allowed By Local Codes.
3. Sign Shall Be U.L. Listed.
4. Mounting Hardware By Sign Installer.
5. Full Size Drilling Template Furnished With Sign.
6. This Sign has been Designed with the Criteria as set forth in the IBC 2003 & IBC 2006. The Design Meets or Exceeds those Requirements for the Geographical Location in Which it is to be Erected.

<p><b>PHILADELPHIASIGN</b> BRINGING THE WORLD'S BRANDS TO LIFE</p>	TITLE	Subaru	DWG BY	ZAS	DATE	08.30.19	DATE	REVISION	---	BY	
	ADDRESS	SUB07086 Lee's Summit Subaru 2101 NE Independence Avenue Lee's Summit, MO 64086			DWG NUM	B84800					
					SHEET	6	<b>SUBARU</b> Retailer Executive Manager Signature: _____ Date: _____				

THIS IS AN ORIGINAL UNPUBLISHED DRAWING CREATED BY P.S.C.O. IT IS SUBMITTED FOR YOUR PERSONAL USE IN CONJUNCTION WITH A PROJECT BEING PLANNED FOR YOU BY P.S.C.O. IT IS NOT TO BE SHOWN TO ANYONE OUTSIDE YOUR ORGANIZATION NOR IS IT TO BE USED, COPIED, REPRODUCED, OR EXHIBITED IN ANY FASHION.



22' 6"

LEE'S SUMMIT

**E03 - 24" ILLUM CHANNEL LETTER**  
Scale: 3/8" = 1' 0"

10' 4"

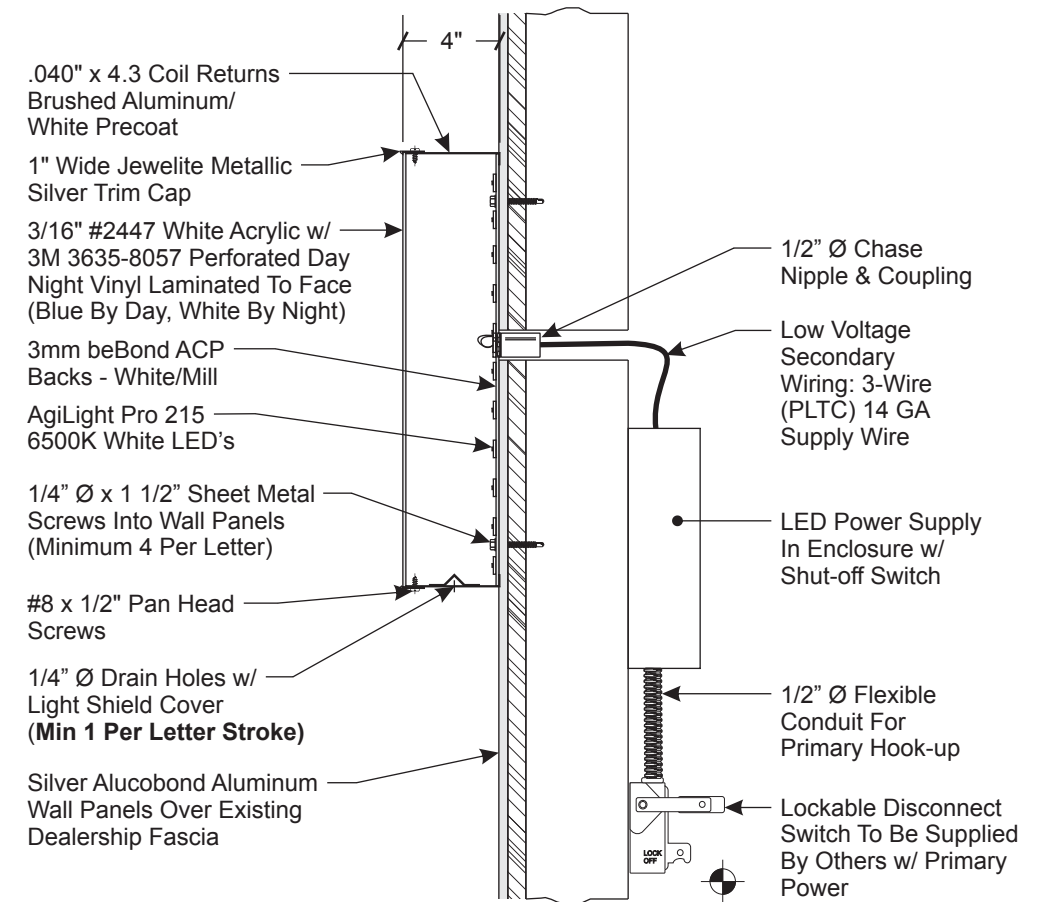
SERVICE

**E04 - 18" ILLUM CHANNEL LETTER**  
Scale: 1/2" = 1' 0"

6' 8"

EXPRESS

**N01 - 12" ILLUM CHANNEL LETTER**  
Scale: 3/4" = 1' 0"



**LETTER CROSS SECTION**  
SCALE: 1 1/2" = 1'-0"

**STANDARD LETTER NOTES:**

1. Sufficient Primary Circuit In Vicinity Of Sign By Others.
2. Letter To Letter Wiring And Final Primary Hook-up By Sign Installer, Where Allowed By Local Codes.
3. Sign Shall Be U.L. Listed.
4. Mounting Hardware By Sign Installer.
5. Full Size Drilling Template Furnished With Sign.

**ELECTRICAL LOAD**  
2.0 Amps @ 120 Volts

**ELECTRICAL REQ'MTS**  
(1) 20 Amp/120 Volt Circuit

<p><b>PHILADELPHIASIGN</b> BRINGING THE WORLD'S BRANDS TO LIFE</p>	TITLE Subaru	DWG BY ZAS	DATE 08.30.19	DATE ---	REVISION	BY
	ADDRESS SUB07086 Lee's Summit Subaru 2101 NE Independence Avenue Lee's Summit, MO 64086	DWG NUM B84800	<b>SUBARU</b> Retailer Executive Manager Signature: _____ Date: _____			
	SHEET 7					

THIS IS AN ORIGINAL UNPUBLISHED DRAWING CREATED BY P.S.C.O. IT IS SUBMITTED FOR YOUR PERSONAL USE IN CONJUNCTION WITH A PROJECT BEING PLANNED FOR YOU BY P.S.C.O. IT IS NOT TO BE SHOWN TO ANYONE OUTSIDE YOUR ORGANIZATION NOR IS IT TO BE USED, COPIED, REPRODUCED, OR EXHIBITED IN ANY FASHION.