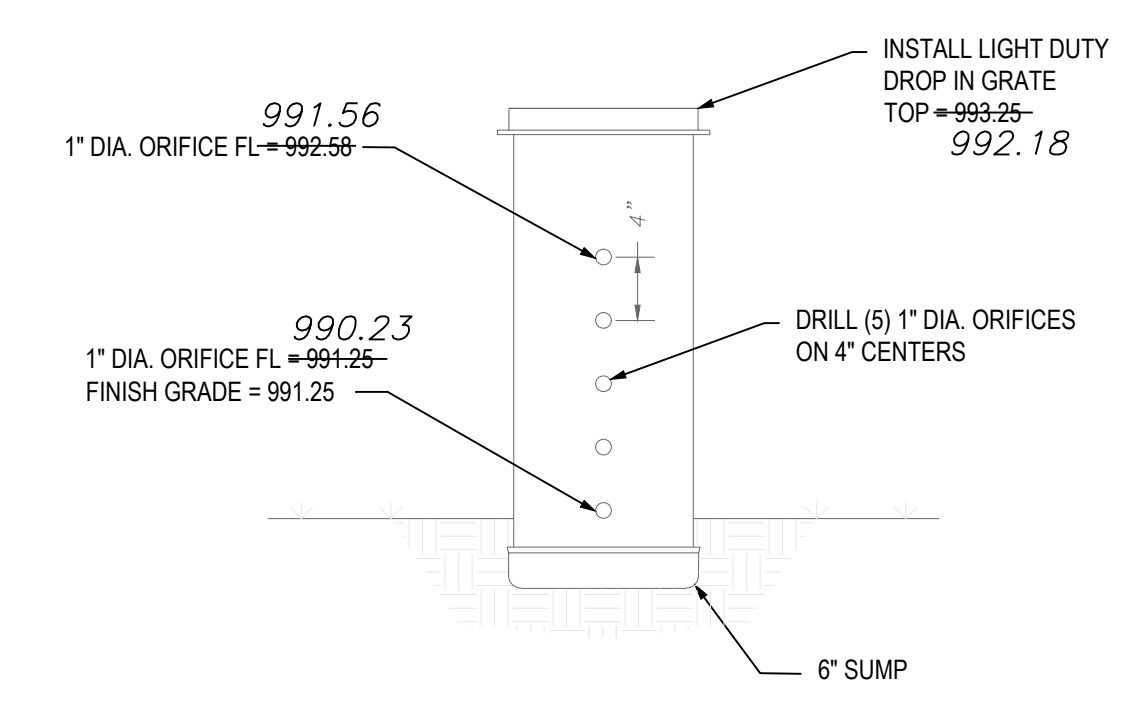
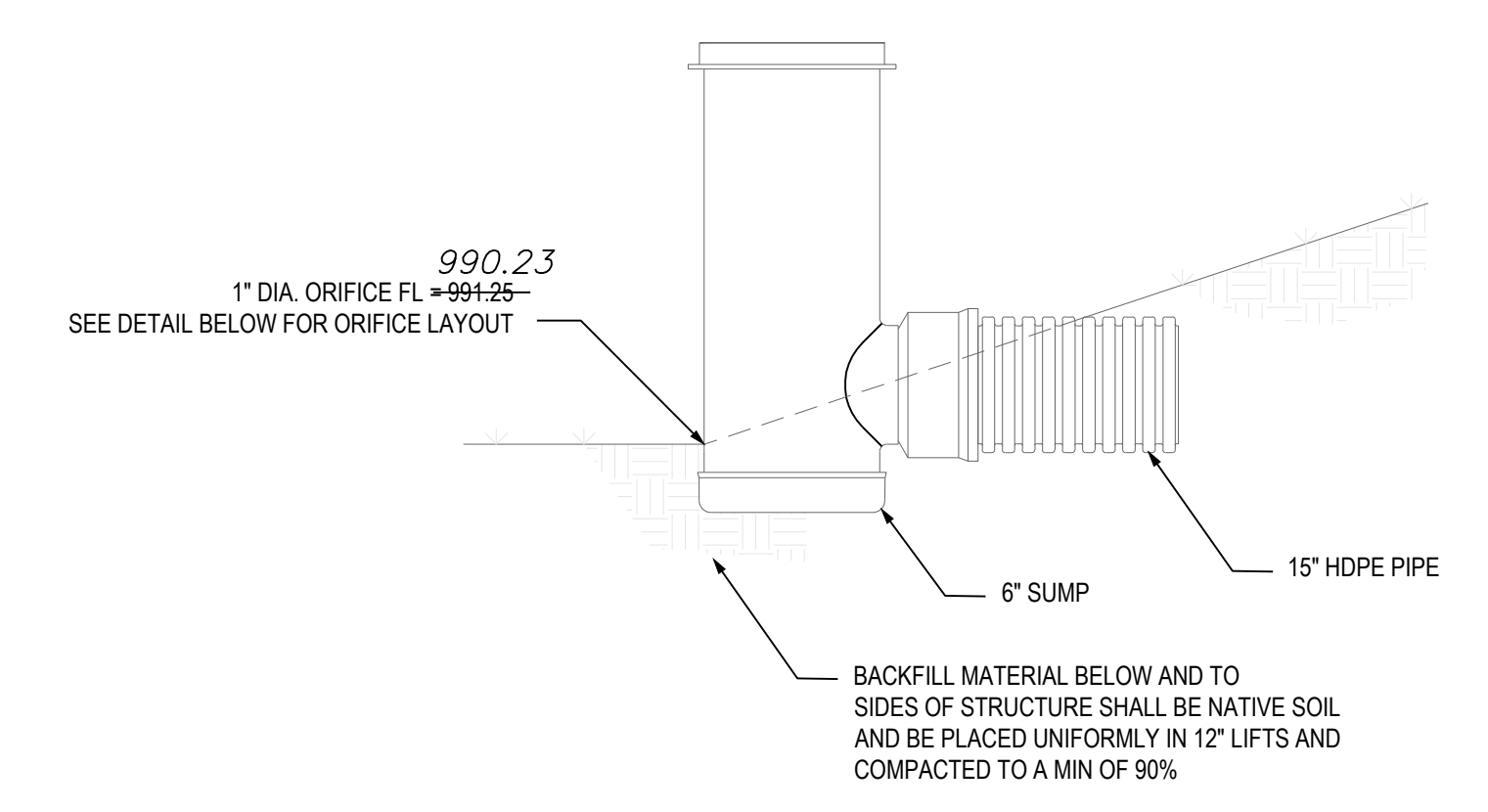
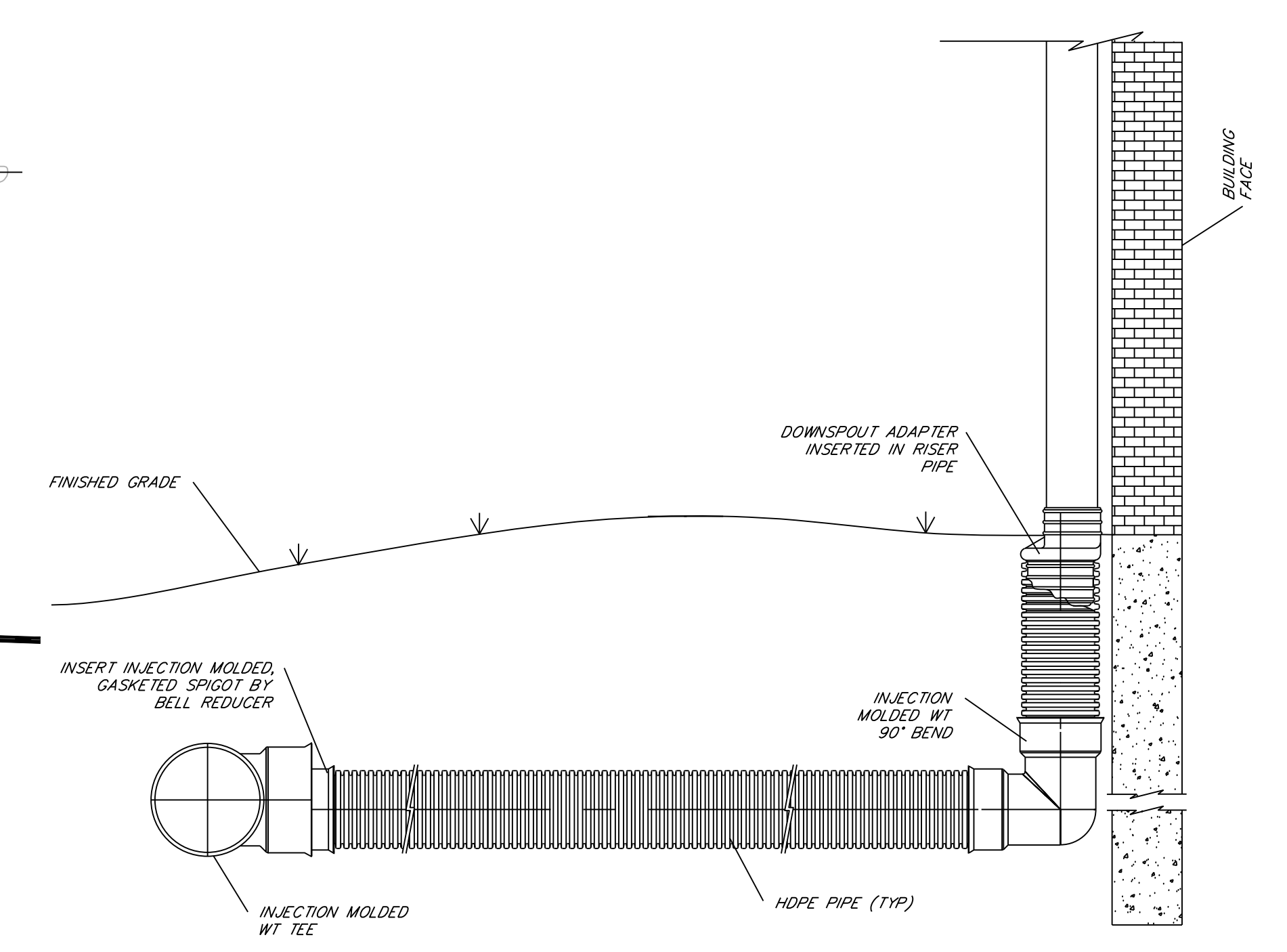


**15" NYLOPAST DRAIN BASIN DETAIL**  
N.T.S



**DRAIN BASIN TRANSVERSE SECTION**  
N.T.S

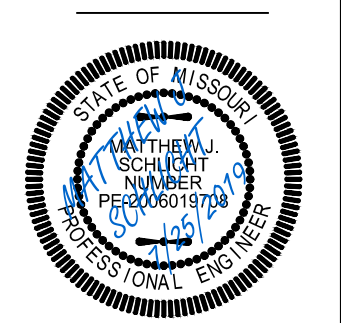


**"AS-BUILT"**  
900.10  
900.00 Indicates data replaced with "As-Built" information. All other data is as designed and has not been field verified.

Professional Registration  
Missouri  
Engineering 2005002188-D  
Surveying 200500019-D  
Kansas  
Engineering E-1695  
Surveying LS-218  
Oklahoma  
Engineering 62-54  
Nebraska  
Engineering CA2821

Project: Newberry Landings, LSMO  
Issue Date: July 19, 2018  
Newberry Landings First Plat  
Lee's Summit, Jackson County, Missouri

ROOF DRAIN PLAN  
Construction Plans for:  
Lot 295, Newberry Landings First Plat  
Lee's Summit, Jackson County, Missouri



Matthew J. Schlicht  
MO PE 2006019708  
KS PE 19071  
OK PE 23226

REVISIONS  
7/25/19 As-Built