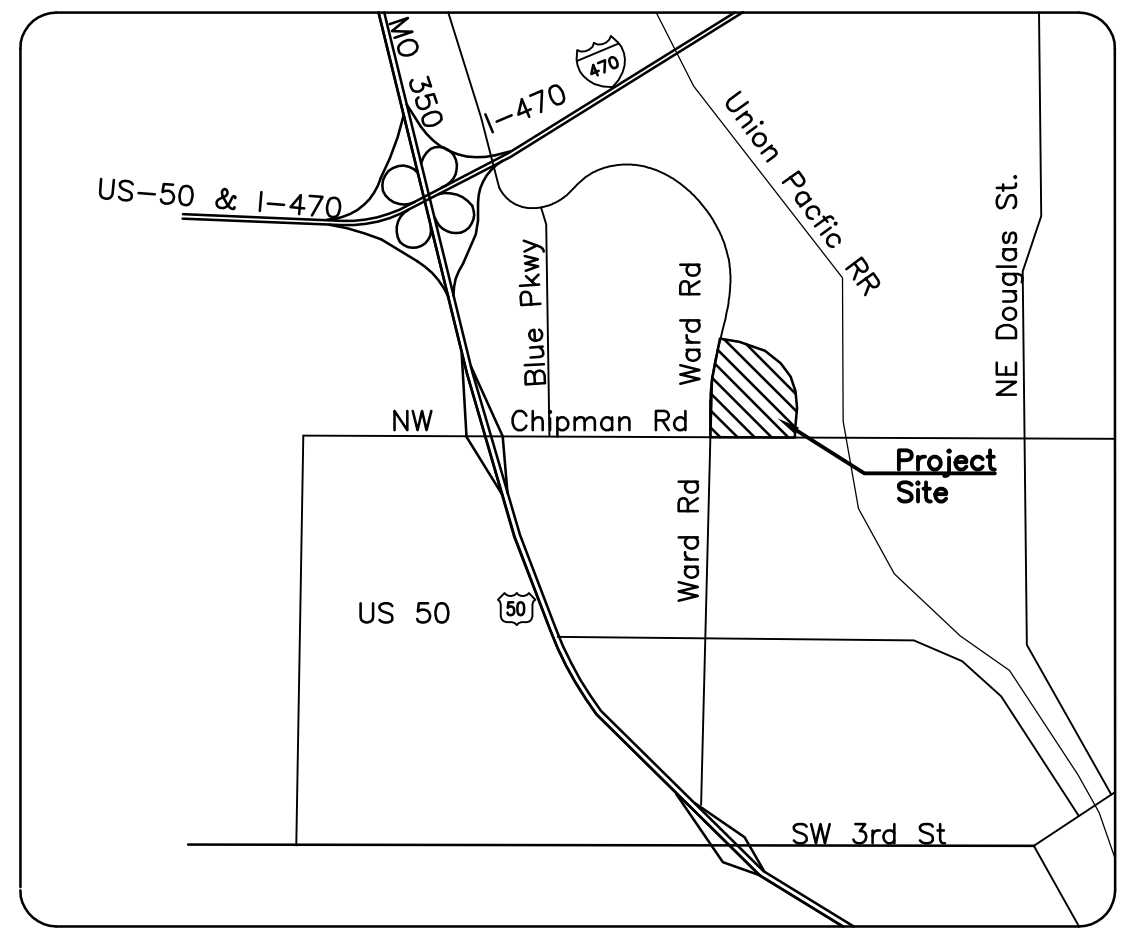
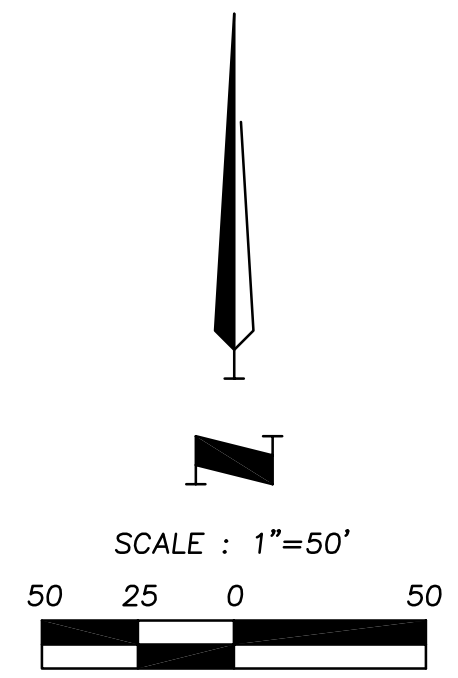
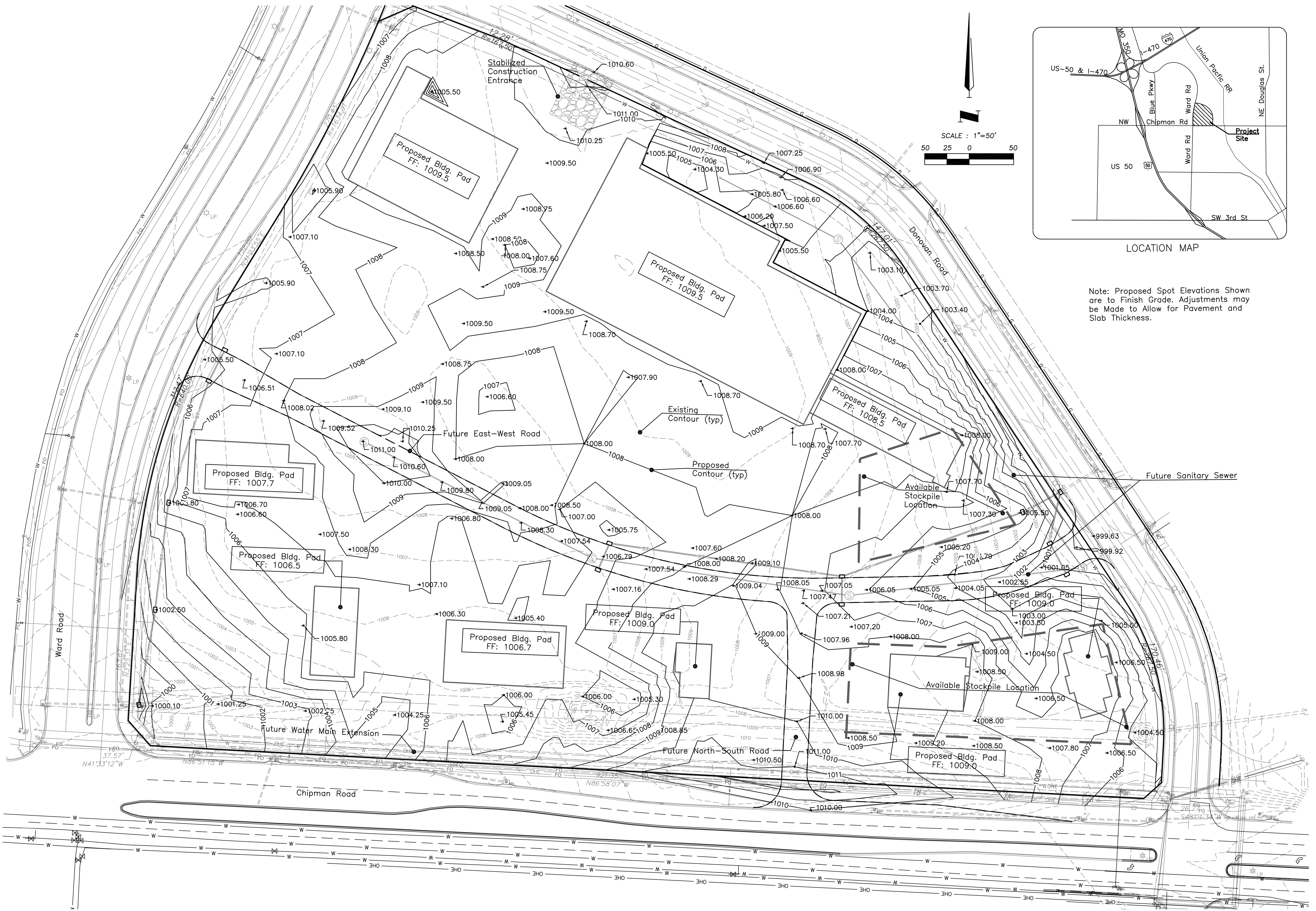


Mar 28, 2019 - 10:02am Plotted By: CO Eng2 G:\ME-COL\1-Projects\180010001 - Townsend Lot 4 CID Infrastructure\DWG\Summit Orchards Designing Layout: Mass Grading



LOCATION MAP

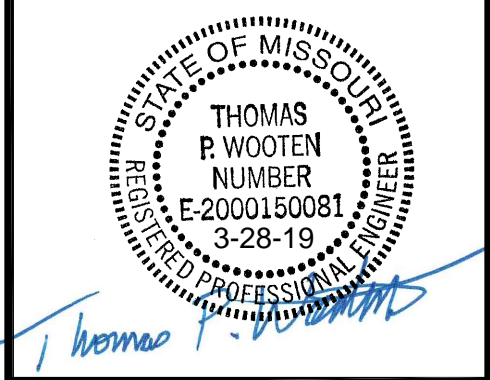
Note: Proposed Spot Elevations Shown are to Finish Grade. Adjustments may be Made to Allow for Pavement and Slab Thickness.

DRAWING INFO.	
DRAWN BY:	JEN
CHECK BY:	TPW
LICENSE NO.:	E-2000150081
DATE:	3/20/19
FIELD BOOK:	19CO10004
JOB NUMBER:	19CO10004

REVISIONS	
NO.	DESCRIPTION

SUMMIT ORCHARD LOT 4  
 INFRASTRUCTURE IMPROVEMENTS  
 MASS GRADING PLANS  
**GRADING PLAN**  
 LEE'S SUMMIT, MISSOURI



SHEET NUMBER  
**C051**  
 1 OF 3