

IMPORTANT NOTE:
 GRID AT EXTERIOR WALL IS INTERIOR
 FACE OF STEM WALL - SEE 2A/01

PROJECT DATA

WAREHOUSE	158,261 SF
ENVELOPE - EXTERIOR WALL	1,636 SF
ENCLOSED CANOPY	3,560 SF
FIRE DEPT ROOM	464 SF
MECHANICAL ROOM	1,191 SF
MSS	590 SF
HALLWAY	92 SF
TOTAL BUILDING - GROSS	165,797 SF

RACK COUNT -

TYPE	PALLET TOTAL	RACK TOTAL
GROCCERY PALLET	88	0
GROCCERY RACKS (15 FT)	160	160
GROCCERY RACKS (9 FT)	5	5
HARDLINE PALLET	36	0
HARDLINE RACKS (15 FT)	140	140
CENTER SECTION	19,847 SF	

10 SE OLDHAM PKWY
 LEE'S SUMMIT, MO
**COSTCO
 WHOLESALE
 CORPORATION**
 730 LAKE DRIVE
 ISSAQUAH, WA 98027
 T: 425.313.8100
 www.costco.com

MG2 Corporation, P.C.
 Missouri Certificate of Authority No. 2000170632

**PERMIT
 REBUBMISSION
 01
 MARCH 2026**

Gary K. Munkelt & Associates, LLC
 Structural Consulting Engineers
 GKM Job No. 2603106
 Received Electronically: 03/19/2026
 Reviewed and Approved: 03/23/2026

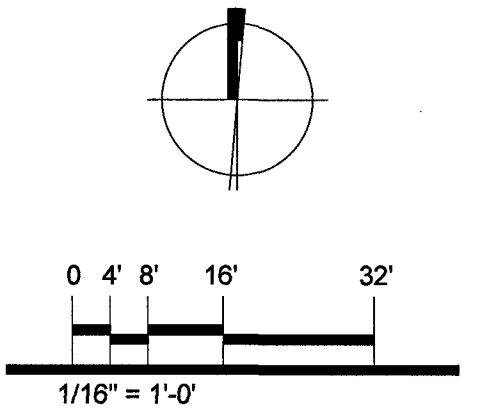
Scale may be altered: Use dimensions

Reference Detail Drawings by
 Gary K. Munkelt & Associates, LLC
 Structural Consulting Engineers
 CW-10T, RU-9 for additional storage
 rack information (Rack dimensions are
 nominal - CW-10T Govers)

**Gary K. Munkelt &
 Associates, LLC**
 Structural Consulting Engineers
 121 E. Chestnut Street, Suite 101
 Souderton, PA 18984
 Missouri: GKM #011202948
 Phone 215-655-9719

KEY PLAN

STRUCTURAL DESIGN ENGINEER



MO No. AR2021040571
 BRIAN J. BONAR, ARCHITECT

DATE	DESCRIPTION
12/22/25	PERMIT SET
1/21/26	BID APPENDUM 1
2/17/26	BID APPENDUM 2

PM: WILLIE MAK
 DRAWN BY: AK / VA

25-5563-01
 12/22/25

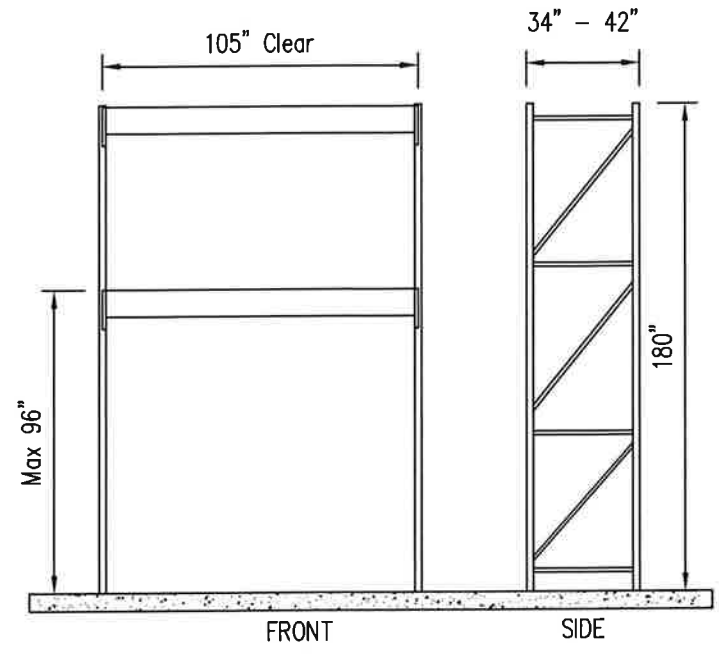
**FLOOR PLAN
 A101**

3/18/2026 12:11:53 PM Autodesk Docs://Lee's Summit-MO-Warehouse-213-25556301/A_25556301_Lee's Summit_MO_Costco_V2_R26_Mirror.rvt

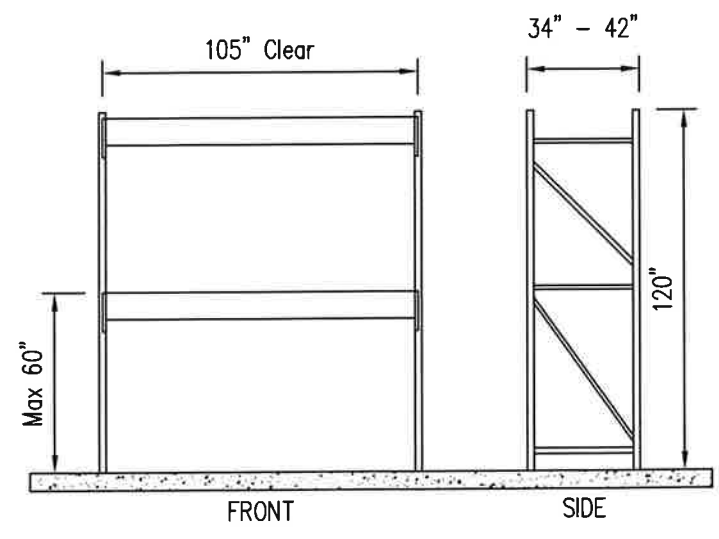
NOTE: SEE G203 FOR SIGNAGE LOCATIONS
 NOTE: TO DETERMINE DOOR OPENING SIZE - SEE DOOR SCHEDULE ON A822 AND DETAILS ON A822.2 AND 822.3
 NOTE: LOCATE KNOX BOXES AS DIRECTED BY FIRE DEPT MAKE PROVISIONS TO TIE INTO SECURITY SYSTEM
 NOTE: ADD ADDITIONAL INSULATION AT PLUMBING (SEE 2A/01 - ST EXTERIOR WALL)

GENERAL NOTES:

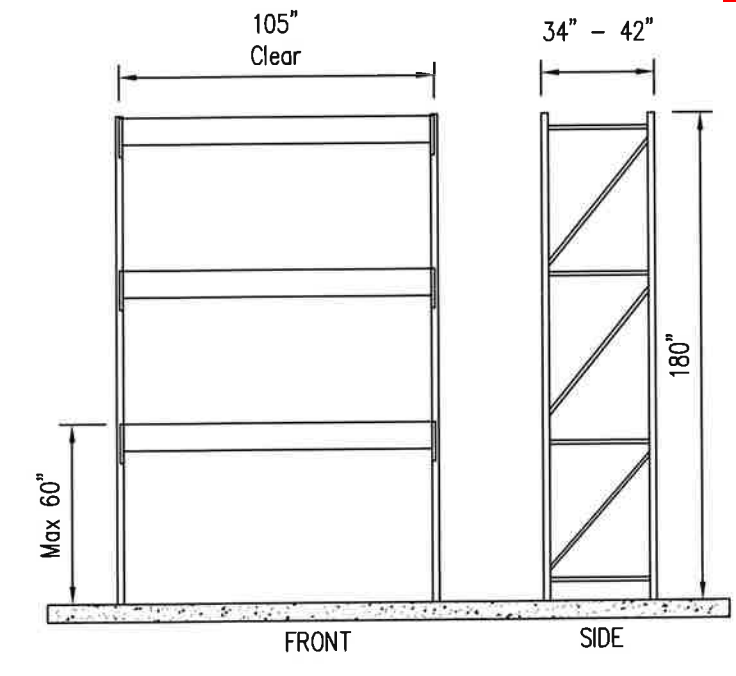
1. This drawing shows typical unit material and geometry. See Price/Costco fixture plan(A-101) for location within store. See Gary K. Munkelt & Associates, LLC Drawings RU-9 for details of the rack components.
2. **ARRANGEMENT**
 Not all configurations may be installed.
 A unit may have any number of beam levels if the loads per bay and the maximum spacings shown are not exceeded
3. **MATERIAL**
 Components shown are minimum sizes.
 Larger/heavier components may be substituted.
4. **ANCHORAGE**
 Use ICC approved anchors per RU-9 UNO
 Use minimum embedment of 4.5" for Wedge Type anchors for 2 & 3 Level Racks. For Screw Type anchors use a minimum embedment of 5" (Minimum embedment = Top of Concrete Slab to Bottom Tip of Anchor)
5. **PERIODIC SPECIAL INSPECTIONS** - are not required for post-installed anchors unless the Building Authority demands an inspections. Contractor to verify all inspection requirement before anchor installation.



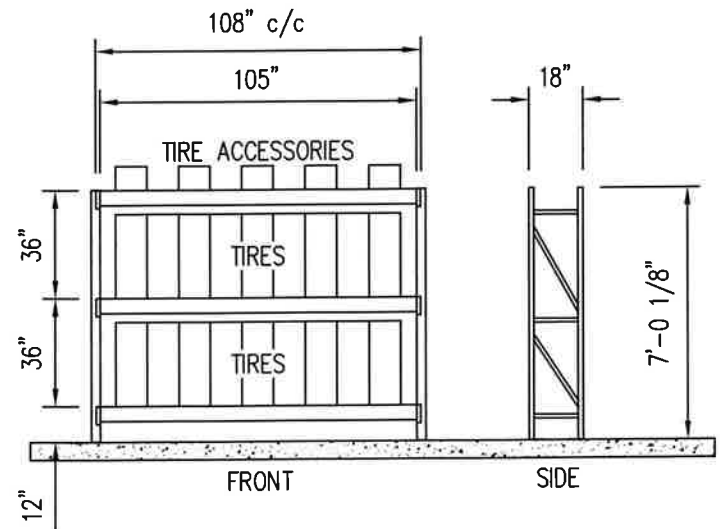
MERCHANDISE DISPLAY RACK
 Upright: Min. UF-H-331
 Seismic Footplate (7.5" x 5" x 3/8")
 Beams:
 RB-S-500
 Maximum loads:
 5,000 lbs per level
 10,000 lbs per bay



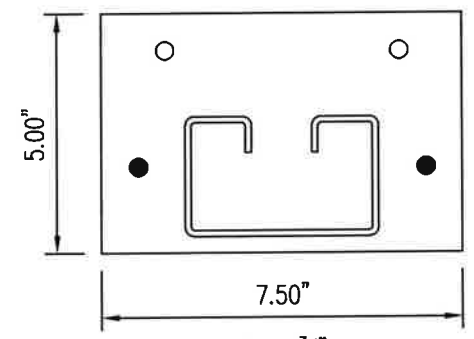
2 LEVEL RACKS
 Upright: Min. UF-H-331
 Seismic Footplate (7.5" x 5" x 3/8")
 Beams:
 RB-S-500
 Maximum loads:
 5,000 lbs per level
 10,000 lbs per bay



3 LEVEL RACKS
 Upright: Min. UF-H-331
 Seismic Footplate (7.5" x 5" x 3/8")
 Beams:
 RB-S-500
 Maximum loads:
 5,000 lbs per level
 15,000 lbs per bay



TIRE CENTER RACK
 Upright: UF-S-31 Post
 Standard Bracing
 Beams: 105" x 5" High
 Maximum loads:
 1,200 lbs per Bay (Includes Base Beam)
 Standard Base Plate



Anchor Locations
 ● Preferred
 ○ Alternate
 Alternate holes shall only be used when anchor cannot be set in preferred hole, There shall be at least one anchor on the left and right side of the post as viewed from the front.

ANCHORAGE
 t = 3/8"
 SUPERCEDES RU-9 FOR 180" RACKS

SEALING BLOCK

STRUCTURAL DESIGN ONLY

Gary K. Munkelt & Associates, LLC
 Structural Consulting Engineers
 121 East Chestnut Street, Suite 101
 Souderton, PA 18964
 Missouri COA #2017023848
 Phone 215-855-8713

DATE	03/23/2026
DRAWN	CMS
CHECKED	BJM
APPROVED	

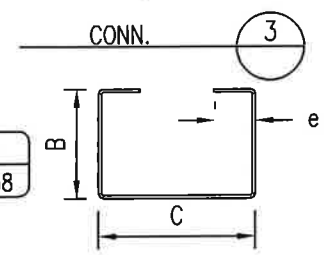
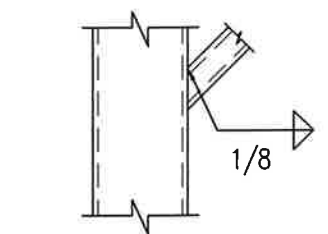
COSTCO #1838 - LEE'S SUMMIT
 10 SOUTHEAST OLDHAM PARKWAY
 LEE'S SUMMIT, MO 64081
 STORAGE RACKS
 TYPICAL CONFIGURATIONS

GKM JOB #
 2603106
 DRAWING #
 CW-10T

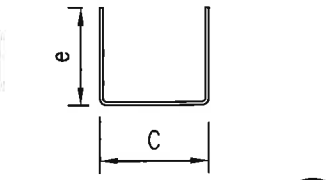
Type	A	B	d	t	Sx	Ix
RB-L-300*	3.00	2.50	1.63	0.066	0.49	0.80
RB-S-300*	3.00	2.50	1.63	0.075	0.55	0.90
RB-L-350	3.50	2.50	1.63	0.066	0.72	1.29
RB-S-350	3.50	2.50	1.63	0.075	0.82	1.45
RB-R-350	3.50	2.50	1.63	0.085	0.93	1.64
RB-L-355*	3.55	2.50	1.63	0.066	0.63	1.20
RB-S-355*	3.55	2.50	1.63	0.075	0.72	1.36
RB-L-400	4.00	2.50	1.63	0.066	0.88	1.78
RB-S-400	4.00	2.50	1.63	0.075	1.00	2.01
RB-R-400	4.00	2.50	1.63	0.085	1.13	2.27
RB-L-410*	4.10	2.50	1.63	0.066	0.79	1.72
RB-S-410*	4.10	2.50	1.63	0.075	0.90	1.95
RB-L-450	4.50	2.50	1.63	0.066	1.06	2.39
RB-S-450	4.50	2.50	1.63	0.075	1.19	2.70
RB-R-450	4.50	2.50	1.63	0.085	1.35	3.05
RB-L-465*	4.65	2.50	1.63	0.066	0.97	2.36
RB-S-465*	4.65	2.50	1.63	0.075	1.10	2.68
RB-L-500	5.00	2.50	1.63	0.066	1.24	3.10
RB-S-500	5.00	2.50	1.63	0.075	1.40	3.51
RB-R-500	5.00	2.50	1.63	0.085	1.58	3.97
RB-L-550	5.50	2.50	1.63	0.066	1.43	3.94
RB-S-550	5.50	2.50	1.63	0.075	1.62	4.46
RB-R-550	5.50	2.50	1.63	0.085	1.82	5.05
RB-L-600*	6.00	2.50	1.63	0.066	1.47	4.54
RB-S-600*	6.00	2.50	1.63	0.075	1.66	5.15
RB-R-600*	6.00	2.50	1.63	0.085	1.84	5.71
RB-L-650*	6.50	2.50	1.63	0.066	1.67	5.59
RB-S-650*	6.50	2.50	1.63	0.075	1.88	6.29
RB-R-650*	6.50	2.50	1.63	0.085	2.15	7.19

Type	C	B	e
	1.75	1.25	0.38

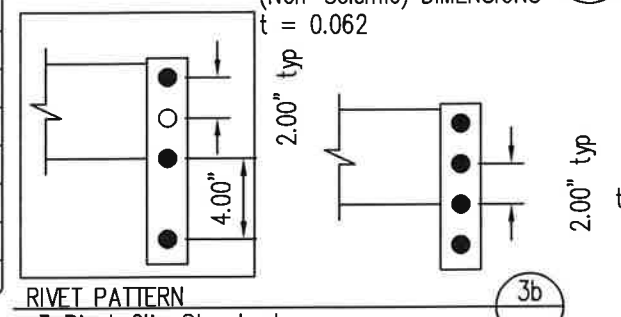
Type	C	e
std.	1.75	1.25



BRACE
 (Seismic) DIMENSIONS
 t = 14 ga



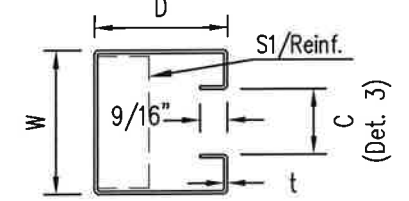
BRACE
 (Non-Seismic) DIMENSIONS
 t = 0.062



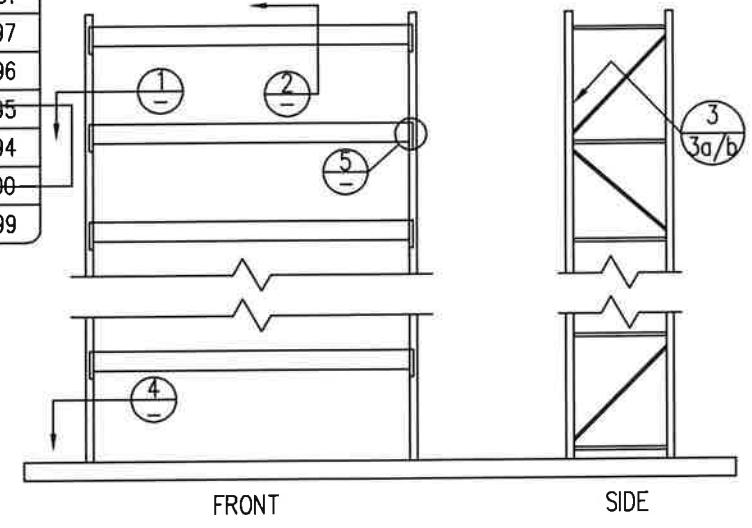
RIVET PATTERN
 3 Rivet Clip Standard
 Bolted 4 Rivet Clip Optional

Type	W	D	t	As	Sx	rx	ry
UF-S-32I	3.00	2.75	0.075	0.56	0.55	1.21	0.84
UF-S-33I	3.00	2.75	0.075	0.64	0.65	1.21	0.98
*UF-S-33I	3.00	2.75	0.075	1.10	1.01	1.14	0.81
UF-R-33I	3.00	2.75	0.087	0.73	0.73	1.20	0.97
UF-M-33I	3.00	2.75	0.100	0.82	0.82	1.20	0.96
UF-Y-33I	3.00	2.75	0.110	0.91	0.89	1.19	0.95
UF-H-33I	3.00	2.75	0.125	1.03	1.00	1.18	0.94
UF-M-43I	4.00	2.75	0.100	0.92	1.21	1.59	1.00
UF-H-43I	4.00	2.75	0.125	1.12	1.45	1.58	0.99

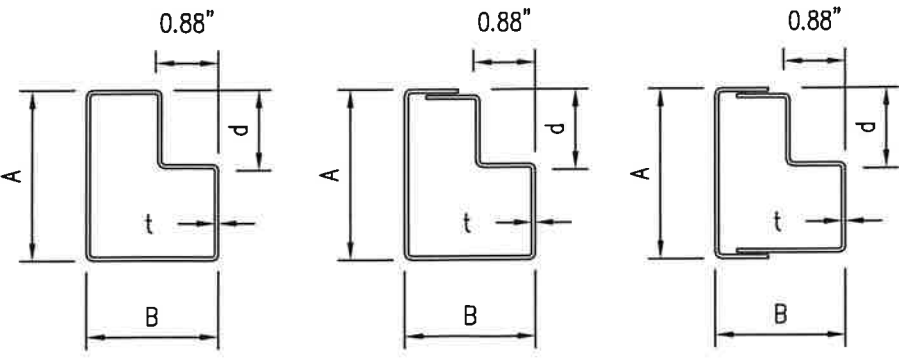
*w/S1 Reinforcement



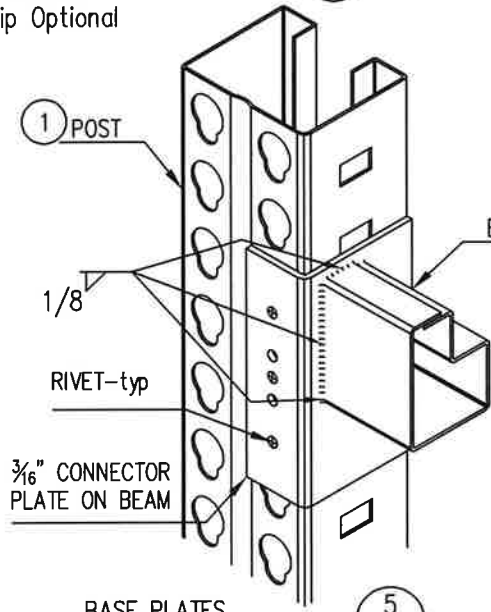
COLUMNS
 DIMENSIONS AND PROPERTIES
 NET SECTION-UNITS: INCHES UNO



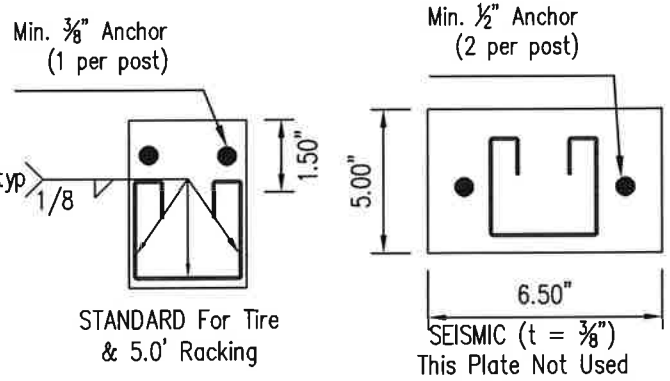
TYPICAL ELEVATION
 SEE INSTALLATION DRAWING CW-10T
 FOR ADDITIONAL INFORMATION



*Induction Welded Rolled Beams
 Overlapped Rolled Beams
 **Two Piece Rolled Beams
 BEAMS
 DIMENSIONS AND PROPERTIES
 UNITS: INCHES UNO



BASE PLATES
 7/16" (Nom.) ASTM A502-3 Rivets



BASE PLATES
 COMMON SIZE ONLY
 SEE INSTALLATION DRAWINGS
 FOR CUSTOM SIZES AND
 ANCHORAGE

GENERAL NOTES:

- This drawing shows standard details of the rack product line only. See engineer approved installation drawings (A101 & CW-10T) for components used, special details, arrangement, dimensions.
- The installation drawings govern over this drawing.
- MATERIAL
 Steel - ASTM A1008 Grade 55 UNO
 Welding electrodes - AWS E70-XX (all welds single pass fillet welds designed at 50% stress levels)
- Concrete Anchors shall be ICC approved types for installation into cracked concrete. e.g.:
 Simpson Strong Tie Strong bolt (#3037), Titen (#2713)
 DeWalt / Powers/Rawl Power Stud+SD2 (#2502), Atomic (#3067), DeWalt Screw-Bolt+ Screw Anchor (#3889)
 Hilti Kwik Bolt HSL 3 (#1545), Kwik Bolt TZ (#1917), Kwik Bolt TZ2 (#4266), HUS-EZ (#3027)

Minimum Embedment shown on Drawing CW-10T.
 Special inspection are not required unless demanded by the building authority. Contractor shall determine any inspection requirements prior to anchor installation.



STRUCTURAL DESIGN ONLY

Gary K. Munkelt & Associates, LLC
 Structural Consulting Engineers
 121 East Chestnut Street, Suite 101
 Souderton, PA 18964
 Missouri COA #2017023848
 Phone 215-855-8713

DATE 03/23/2026	COSTCO #1838 - LEE'S SUMMIT	GKM JOB # 2603106
DRAWN CMS	10 SOUTHEAST OLDHAM PARKWAY	DRAWING # RU-9
CHECKED BJM	LEE'S SUMMIT, MO 64081	
APPROVED	RIDG-U-RAK	
	STORAGE RACKS	

3/24/20