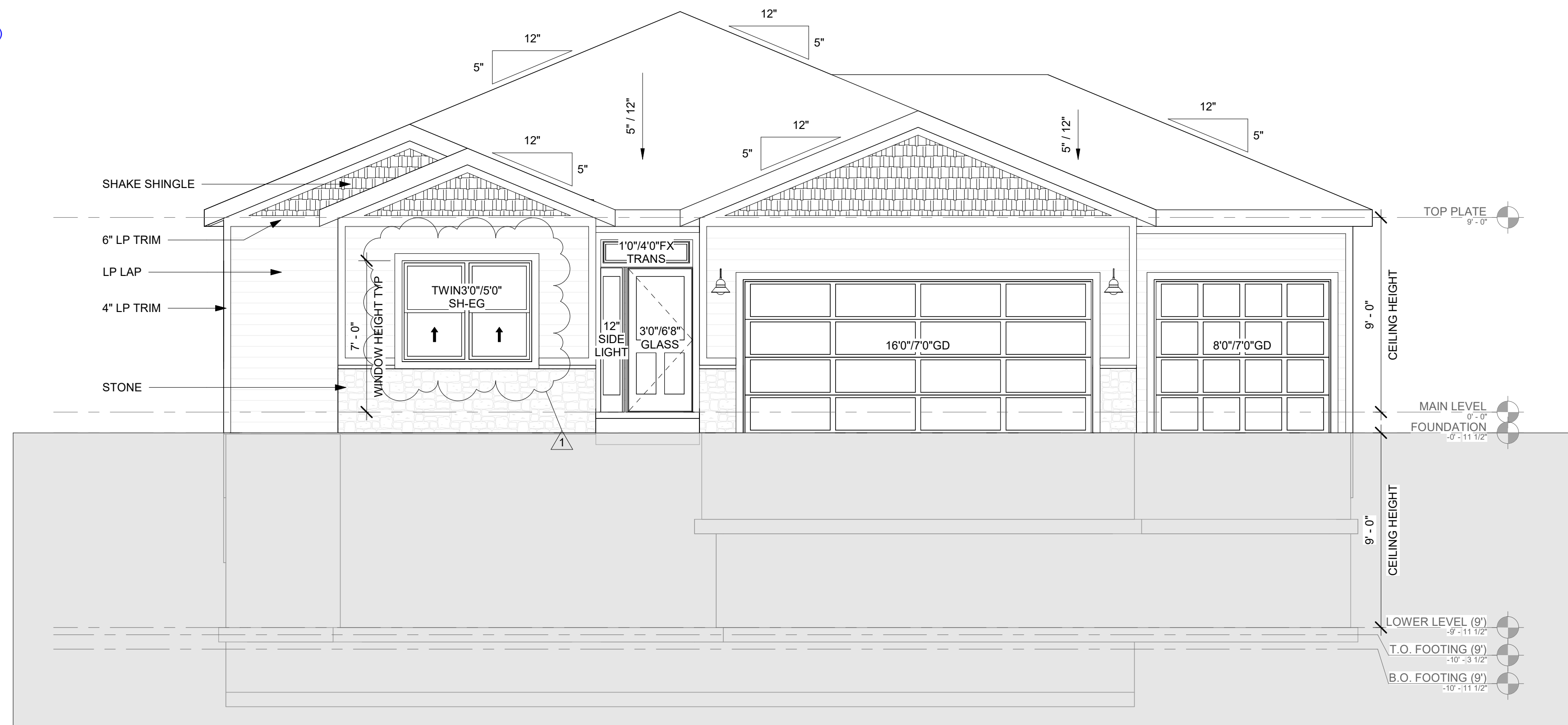


9'-0" FOUNDATION WALL EXCEPT AT STEP DOWNS  
TO BE LOCATED IN THE FIELD

UNBALANCED FILL  
NOT TO EXCEED 4'-0" AT UNRESTRAINED WALLS

ALL FOOTING TO BE  
BELOW FROST LINE (3'-0")  
AS REQUIRED PER SITE



1 5 - FRONT ELEVATION (9')  
1/4" = 1'-0"



2 7 - REAR ELEVATION (9')  
1/4" = 1'-0"

TABLE OF CONTENTS	
SHEET NUMBER	SHEET NAME
0-CV	COVER
G101	LOWER LEVEL / FOUNDATION PLAN
G102	MAIN LEVEL PLAN
G104	ROOF PLAN
G105	LIGHTING PLAN
G200	DESIGN ELEVATIONS
S000	STRUCTURAL GENERAL NOTES
S501	FOUNDATION DETAILS
S503	GARAGE/SLAB DETAILS
S510	FRAMING STANDARDS
S520	DECK DETAILS
S530	BRACING DETAILS
S550	FASTENING SCHEDULE
S560	EGRESS WINDOWS



AVITAL HOMES (816)914-7128

THIS DESIGN AND DETAILS DISCLOSED ARE THE EXCLUSIVE PROPERTY OF AVITAL HOMES AND SHALL NOT BE COPIED OR REPRODUCED IN WHOLE OR IN PART WITHOUT ITS PRIOR WRITTEN CONSENT.



EVERSTEAD  
3741 NE TROON DRIVE, SUITE 200  
LEE'S SUMMIT, MO 64064  
EVERSTEAD.COM (816)399-4901

RELEASE FOR CONSTRUCTION  
AS NOTED ON PLANS REVIEW  
DEVELOPMENT SERVICES  
LEE'S SUMMIT, MISSOURI  
01/27/2026 3:48:55

WALL LEGEND	
[Dashed line]	DEMO WALL
[Stippled pattern]	FOUNDATION WALL - EXISTING
[Horizontal lines]	FOUNDATION WALL - NEW
[Vertical lines]	EXISTING WALL TYPE
[Diagonal lines /]	EXISTING LOAD BEARING WALL
[Diagonal lines \]	NEW 4" WALL TYPE
[Horizontal lines]	NEW 6" WALL TYPE
[Diagonal lines /]	NEW 4" LOAD BEARING WALL
[Diagonal lines \]	NEW 6" LOAD BEARING WALL
[Cross-hatch pattern]	NEW WALL INFILL OF EX. OPENING

BUILDING SQUARE FOOTAGE (SQFT)	
MAIN LEVEL CONDITIONED SPACE TOTAL	1781
<b>CONDITIONED SPACE TOTAL (SQ FT)</b>	<b>1781</b>
OPT LOWER LEVEL CONDITIONED SPACE	803
LOWER LEVEL UNCONDITIONED SPACE TOTAL	811
GARAGE TOTAL	640
PORCHES AND PATIO TOTAL	188
<b>UNCONDITIONED SPACE TOTAL (SQ FT)</b>	<b>1639</b>

**AVITAL HOMES**  
AVALON CRAFTSMAN  
RESERVE AT STONEY CREEK #123  
1921 SW HIGHTOWN DR  
LEE'S SUMMIT, MO 64082

REVISIONS	
1 - 01/26/26	

COVER

0-CV

DATE 1/26/2026 3:08:58 PM  
SCALE As indicated

EVERSTEAD HAS PRODUCED THIS PLAN SET FOR THE CLIENT LISTED IN ACCORDANCE WITH THE 2018 INTERNATIONAL RESIDENTIAL CODE FOR THE PROJECT AT THE ADDRESS LISTED ON THE PLANS. USE OF ANY PART OF THIS PLAN SET TO DEMOLISH, CONSTRUCT OR BUILD IN ANY MANNER ON PROPERTY OTHER THAN THE LISTED ADDRESS IS PROHIBITED WITHOUT WRITTEN CONSENT FROM EVERSTEAD.

ALL THIRD PARTY INSPECTIONS MUST BE PERFORMED BY THE ENGINEER OF RECORD (EOR). THIRD PARTY INSPECTIONS INCLUDE BUT ARE NOT LIMITED TO INSPECTIONS OF THE BEARING SOIL, FOOTINGS, PIERS, FOUNDATIONS, STRUCTURAL / SUSPENDED SLABS, RETAINING WALLS BACKFILL AND REINFORCEMENT), LUMBER FRAMED CONSTRUCTIBILITY ISSUES, AND STRUCTURAL ITEMS IDENTIFIED BY THE LOCAL CODE INSPECTOR.

EVERSTEAD MUST BE NOTIFIED OF ANY AND ALL POTENTIAL DISPUTES, CLAIMS, ARBITRATION AND/OR LITIGATION THAT THE OWNER MAY PURSUE AGAINST THE CONTRACTOR AND/OR BUILDER. FAILURE TO NOTIFY EVERSTEAD AND ALLOW THE EOR TO PROVIDE THEIR OPINION ON ANY DISPUTE, CLAIM, ARBITRATION AND/OR LITIGATION PERTAINING TO ANY STRUCTURAL ASPECT OF THE PROJECT SHALL ABSOLVE EVERSTEAD OF ALL RESPONSIBILITY.

9'-0" FOUNDATION WALL EXCEPT AT STEP DOWNS TO BE LOCATED IN THE FIELD

UNBALANCED FILL NOT TO EXCEED 4'-0" AT UNRESTRAINED WALLS

ALL FOOTING TO BE BELOW FROST LINE (3'-0") AS REQUIRED PER SITE

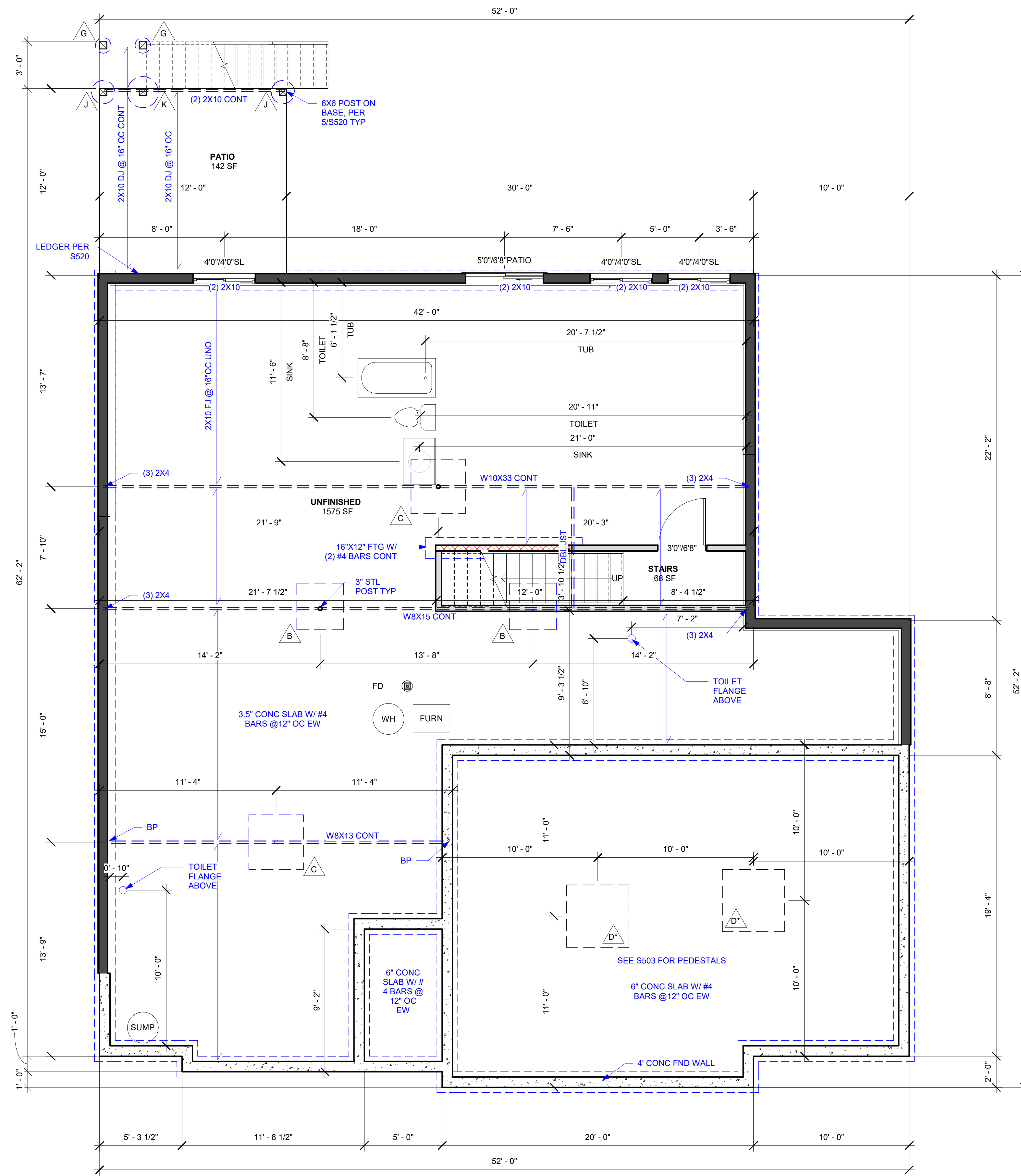
ALL LOWER LEVEL FRAMED EXTERIOR WALLS TO BE BRACED USING CS-WSP FOR THEIR ENTIRE LENGTH.

LOWER LEVEL WINDOW SCHEDULE

Count	Type	Head Height
3	4'0"/4'0"SL	7' - 0"

LOWER LEVEL DOOR SCHEDULE

Count	Type	Locations
1	3'0"/6'8"	
1	5'0"/6'8" PATIO	



FOUNDATION NOTES:

- ALL CONSTRUCTION SHALL CONFORM TO 2018 INTERNATIONAL RESIDENTIAL CODE (IRC).
- FOOTING ELEVATION TO BE DETERMINED BASED ON FINAL GRADE. ALL FOOTINGS MEET OR EXCEED MINIMUM FROST DEPTH OF 36" UNLESS OTHERWISE PROTECTED FROM FROST PER IRC 403.1.4.
- SOIL BEARING CAPACITY SHALL BE MINIMUM 1500 PSF.
- REFER TO SHEET S000 FOR MINIMUM SPECIFIED COMPRESSIVE STRENGTH OF CONCRETE.
- REQUIRED AIR ENTRAINMENT SHALL BE 5-7% AS SPECIFIED IN IRC TABLE R402.2.
- FOUNDATION WALLS THAT RETAIN EARTH AND ENCLOSE INTERIOR SPACES AND FLOORS BELOW GRADE SHALL BE DAMPPROOFED PER IRC R406.
- FOUNDATION DRAINAGE WILL BE IN ACCORDANCE WITH IRC R405.
- ALL INTERIOR FOOTINGS OF LOAD BEARING WALLS AND COLUMNS SHALL BE ISOLATED FROM THE BASEMENT FLOOR SLAB.
- STEEL COLUMNS SHALL BE A MINIMUM OF SCHEDULE 40.
- ALL ANCHOR BOLTS SHALL NOT BE SPACED MORE THAN 3' O.C. AND BE EMBEDDED INTO THE CONCRETE A MINIMUM OF 7".
- BASEMENT EGRESS SHALL COMPLY WITH IRC R310.
- FOR NEW CONSTRUCTION, AN ACCESSIBLE CONNECTION POINT TO BE PROVIDED TO A 20 FOOT CONCRETE ENCASED ELECTRODE (FOOTING REBAR) FOR THE ELECTRICAL SERVICE GROUNDING ELECTRODE CONDUCTOR (UFER GROUND).
- INTERIOR FOOTINGS OF LOAD BEARING WALLS AND COLUMNS SHALL BE ISOLATED FROM THE BASEMENT FLOOR SLAB.
- SLAB ON GROUND SHALL BE CONTINUOUSLY SUPPORTED ON UNDISTURBED SOIL OR WITH FILL AND BASE AS DESCRIBED:
  - FILL - THE FILL SHALL BE COMPACTED TO PROVIDE UNIFORM SUPPORT OF THE SLAB AND SHALL NOT CONTAIN DELETERIOUS QUANTITIES OF ORGANIC OR FOREIGN MATERIAL. FILL DEPTHS SHALL NOT EXCEED 24" FOR CLEAN SAND OR GRAVEL AND 8" FOR SUITABLE SOILS, UNLESS APPROVED BY THE BUILDING OFFICIAL.
  - BASE - A 4" THICK BASE COURSE CONSISTING OF CLEAN GRADED SAND, GRAVEL, CRUSHED STONE, CRUSHED SLAG, OR RECYCLED CONCRETE PASSING A 2" SIEVE SHALL BE PLACED ON THE PREPARED SUBGRADE WHEN THE SLAB IS BELOW GRADE.

CRAWL SPACE NOTES:

- UNDER-FLOOR SPACE SHALL CONFORM TO 2018 IRC SECTION R408.
- PER 2018 IRC R408.3 UNDER-FLOOR VENTILATION IS NOT REQUIRED WHERE:
  - EXPOSED EARTH IS COVERED W/ CONTINUOUS CLASS 1 VAPOR RETARDER.
  - JOINTS SHALL OVERLAP 6" AND SHALL BE SEALED OR TAPED.
  - EDGES OF VAPOR RETARDER SHALL EXTEND 6" UP STEM WALL AND PERIMETER WALL INSULATED IN ACCORDANCE WITH SECT N1103.3.1
  - CONTINUOUSLY OPERATED MECHANICAL EXHAUST VENTILATION AT A RATE EQUAL TO 1 CUBIC FOOT PER MINUTE (0.47 L/s) FOR EACH 50 SQUARE FEET OF CRAWL SPACE FLOOR AREA.
- UNDER-FLOOR ACCESS SHALL BE PROVIDED AND SHALL BE A MINIMUM OF 18"x24" OPENING.
- ALL WALLS OVER 10' SHALL BE DOUGLAS FIR-LARCH #2 (M-12) LUMBER 2x6 STUDS FULL HEIGHT CONTINUOUS UNO.
- ALL WALLS OVER 12' SHALL BE DOUGLAS FIR-LARCH #2 (M-12) LUMBER 2x6 STUDS FULL HEIGHT CONTINUOUS.

WALL TYPE	NOMINAL WALL THICKNESS	VERTICAL SPACING AND SIZE	HORIZONTAL SPACING AND SIZE	FOOTING SPECIFICATION U.N.O. ON PLANS
3'-6" TRENCH FOOTING	16"	#4 BARS @ 18" O.C.	(2) #4 BARS TOP & BOT. CONT.	16" x 8" CONC. FTG. W/ (2) #4 BARS CONT.
< 6'-0" WALL	8"	#4 BARS @ 36" O.C.		
8'-0" WALL		#4 BARS @ 16" O.C.		
9'-0" WALL		#4 BARS @ 12" O.C.	#4 BARS @ 24" O.C.	
10'-0" WALL		#4 BARS @ 8" O.C.		

GENERAL PLAN NOTES:

- ALL CONSTRUCTION SHALL CONFORM TO 2018 INTERNATIONAL RESIDENTIAL CODE OR ATTACHED ENGINEER SPECIFICATIONS WHERE APPLICABLE.
- ALL DIMENSIONS ARE FROM FACE OF STUD U.N.O.
- MINIMUM DOUBLE JOIST UNDER INTERIOR NON-LOAD BEARING WALLS.
- CANTILEVERS, OVER BEAMS, AND DOOR JAMBS SHALL BE BLOCKED.
- CEILING JOISTS SHALL BE 2x6 @ 16" O.C. U.N.O.
- WALL CONSTRUCTION SHALL BE CAPABLE OF ACCOMMODATING ALL LOADS IMPOSED ACCORDING TO IRC R301.
- EXTERIOR WALLS SHALL BE CONSTRUCTED IN ACCORDANCE WITH IRC 602 & FIGURES R602.3(1) AND R602.3(2).
- ANY WOOD MEMBERS IN CONTACT WITH CONCRETE OR MASONRY (OR THE FURRING THEY ARE ATTACHED TO) SHALL BE OF DECAY RESISTANT MATERIAL.
- INTERIOR NON-LOAD BEARING WALLS SHALL BE ISOLATED FROM THE FLOOR FRAMING ABOVE UNLESS THE INTERIOR NON-LOAD BEARING WALL RESTS DIRECTLY ON A FOOTING. SOLID BLOCKING BETWEEN JOISTS AT 48" O.C. AND EXTEND BLOCKING ONE JOIST BAY PAST EACH SIDE OF KITCHEN ISLAND.
- ALL JOIST HANGERS TO BE SIMPSON LUS HANGERS UNO.

INTERIOR LOAD BEARING WALL

WALL BRACING NOTES:

- WALL BRACING IS DESIGNED IN ACCORDANCE WITH IRC R602.10.
- BRACING METHODS SHALL BE PER PLAN AND SHALL BE CONSTRUCTED IN CONFORMANCE WITH 2018 IRC R602.10.4 AND R602.10.5.
- FOR METHOD CS-WSP STRUCTURAL PANEL SHEATHING SHALL BE INSTALLED ON ALL SHEATHABLE SURFACES ON ONE SIDE OF THE BRACED WALL LINE INCLUDING AREAS ABOVE AND BELOW OPENINGS AND GABLE END WALLS. END CONDITIONS SHALL MEET THE REQUIREMENTS OF R602.10.7 AND DETAIL 9-S400.
- ALL HORIZONTAL PANEL JOINTS SHALL OCCUR OVER AND BE NAILED TO COMMON FRAMING OR BLOCKING WITH AN APPROPRIATE PANEL EDGE-NAILING SCHEDULE IN ACCORDANCE WITH IRC R602.10.4.4.
- INTERIOR FINISH OF EXTERIOR WALLS SHALL BE MINIMUM 1/2" GYPSUM BOARD INSTALLED ON THE INTERIOR SIDE.

BRACING METHODS:

- BRACING CS-PF PER IRC R602.10.6.4
- BRACING CS-WSP PER IRC R602.10
- BRACING WSP PER IRC R602.10 (4' MIN PANEL LENGTH, UNO) (PARTIAL PANELS PER IRC R602.10.5.2, NOTED ON PLANS W/ LENGTH)
- BRACING LIB PER IRC R602.10 MINIMUM LIB LENGTH PER 2018 IRC TABLE R602.10.5:
  - 55' - 9" TALL WALL HEIGHT
  - 62' - 9" TALL WALL HEIGHT
  - 69' - 10" TALL WALL HEIGHT
- BRACING PFH PER IRC R602.10.6.2

SYM	PIER PAD SIZE	DEPTH	MINIMUM REINFORCEMENT GRADE 40 KSI STEEL	SCHEDULE 40 STEEL COLUMN, MIN FY = 35 KSI
A	30"x30"	1'-0"	(5) #4 BAR E.W.	3" DIAMETER
B	36"x36"	1'-0"	(6) #4 BAR E.W.	3" DIAMETER
C	42"x42"	1'-2"	(7) #4 BAR E.W.	3" DIAMETER
D	48"x48"	1'-4"	(8) #4 BAR E.W.	3" DIAMETER
E	54"x54"	1'-4"	(9) #4 BAR E.W.	3.5" DIAMETER
F	60"x60"	1'-6"	(10) #4 BAR E.W.	3.5" DIAMETER

SYM	PIER DIAMETER	DEPTH
G	12"	3'-0"
H	16"	3'-0"
J	18"	3'-0"
K	24"	3'-0"
L	28"	3'-0"

\*DENOTES STEEL COLUMN NOT REQUIRED COLUMN AND PAD SIZES ARE FOR A MAXIMUM COLUMN HEIGHT OF 10' COLUMNS GREATER THAN 10' REQUIRE A SEPARATE ENGINEERED DESIGN. FOOTINGS A-F SPACING OF 6" O.C. WITH 3" CLEAR COVER.

1 - LOWER LEVEL PLAN  
1/4" = 1'-0"



AVITAL HOMES (816)914-7128

THIS DESIGN AND DETAILS DISCLOSED ARE THE EXCLUSIVE PROPERTY OF AVITAL HOMES AND SHALL NOT BE COPIED OR REPRODUCED IN WHOLE OR IN PART WITHOUT ITS PRIOR WRITTEN CONSENT.



EVERSTEAD  
3741 NE TROON DRIVE, SUITE 200  
LEE'S SUMMIT, MO 64064  
EVERSTEAD.COM (816)399-4901

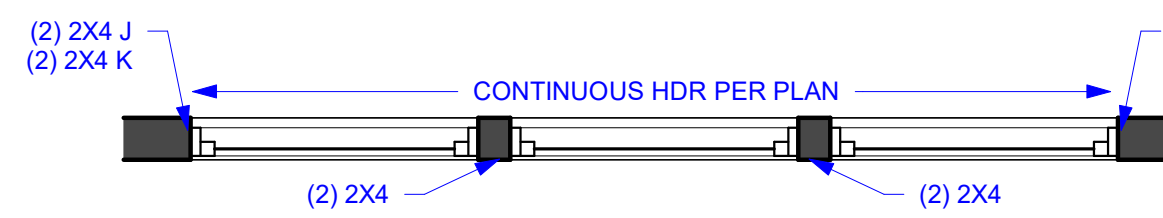
**AVITAL HOMES**  
AVALON CRAFTSMAN  
RESERVE AT STONEY CREEK #123  
1921 SW HIGHTOWN DR  
LEE'S SUMMIT, MO 64082

NO.	DESCRIPTION

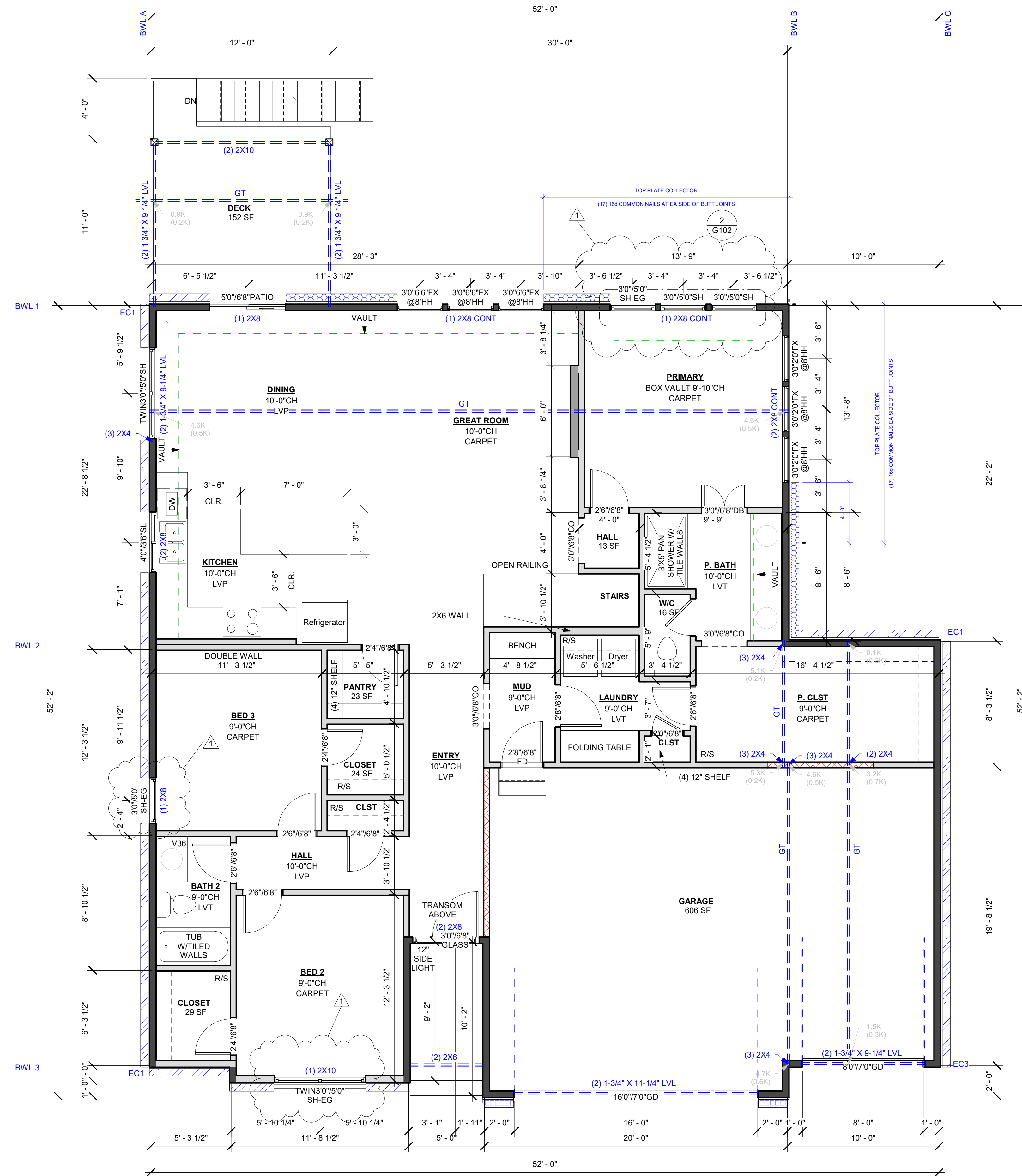
LOWER LEVEL / FOUNDATION PLAN

G101

DATE 1/26/2026 FOR CONSTRUCTION AS NOTED ON PLANS REVIEW DEVELOPER'S REVIEW  
01/27/2026 3:48:55



2 TYP 3-WINDOW FRAMING  
1/2" = 1'-0"



MAIN LEVEL DOOR SCHEDULE

Count	Type	Locations
1	2'0"/6'8"	
5	2'4"/6'8"	
5	2'6"/6'8"	
1	2'8"/6'8"	
1	2'8"/6'8" FD	Garage Entry
1	3'0"/6'8" GLASS	Front Entry
3	3'0"/6'8" CO	
1	3'0"/6'8" DB	
1	5'0"/6'8" PA TIO	Dining Door
1	8'0"/7'0" GD	
1	12" SIDE LIGHT	
1	16'0"/7'0" G D	

MAIN LEVEL WINDOW SCHEDULE

Count	Type	Head Height
1	1'0"/4'0" FX TRANS	7' - 10 11/16"
3	3'0"/2'0" FX @8"HH	8' - 0"
3	3'0"/6'6" FX @8"HH	8' - 0"
2	3'0"/5'0" SH-EG	7' - 0"
1	3'0"/5'0" SH	7' - 0"
1	TWIN3'0"/5'0" SH-EG	7' - 0"
1	TWIN3'0"/5'0" SH	7' - 0"

GENERAL PLAN NOTES

- ALL CONSTRUCTION SHALL CONFORM TO 2018 INTERNATIONAL RESIDENTIAL CODE OR ATTACHED ENGINEER SPECIFICATIONS WHERE APPLICABLE.
- ALL DIMENSIONS ARE FROM FACE OF STUD U.N.O.
- MINIMUM DOUBLE JOIST UNDER INTERIOR NON-LOAD BEARING WALLS.
- CANTILEVERS, OVER BEAMS, AND DOOR JAMBS SHALL BE BLOCKED.
- CEILING JOISTS SHALL BE 2x6 @ 16" O.C. U.N.O.
- WALL CONSTRUCTION SHALL BE CAPABLE OF ACCOMMODATING ALL LOADS IMPOSED ACCORDING TO IRC R301.
- EXTERIOR WALLS SHALL BE CONSTRUCTED IN ACCORDANCE WITH IRC 602 & FIGURES R602.3(1) AND R602.3(2).
- ANY WOOD MEMBERS IN CONTACT WITH CONCRETE OR MASONRY (OR THE FURRING THEY ARE ATTACHED TO) SHALL BE OF DECAY RESISTANT MATERIAL.
- INTERIOR NON-LOAD BEARING WALLS SHALL BE ISOLATED FROM THE FLOOR FRAMING ABOVE UNLESS THE INTERIOR NON-LOAD BEARING WALL RESTS DIRECTLY ON A FOOTING. SOLID BLOCKING BETWEEN JOISTS AT 48" O.C. AND EXTEND BLOCKING ONE JOIST BAY PAST EACH SIDE OF KITCHEN ISLAND.
- ALL JOIST HANGERS TO BE SIMPSON LUS HANGERS UNO

INTERIOR LOAD BEARING WALL

WALL BRACING NOTES:

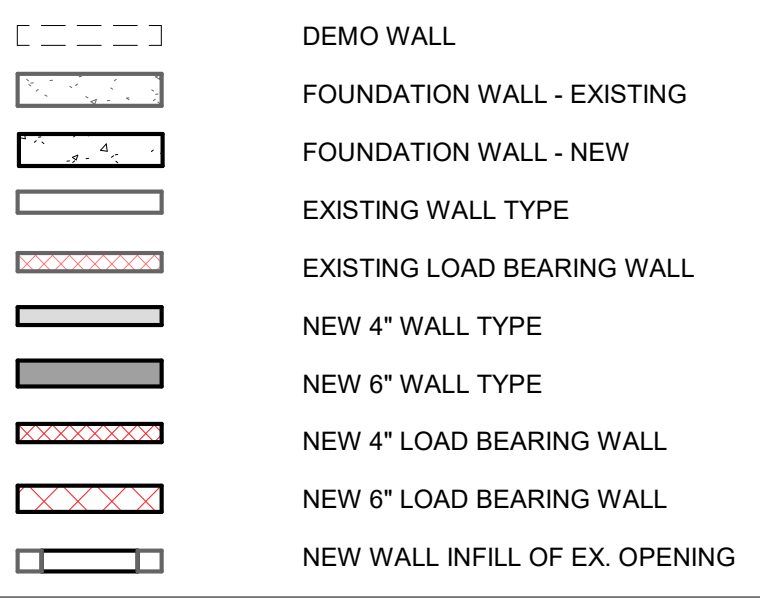
- WALL BRACING IS DESIGNED IN ACCORDANCE WITH IRC R602.10.
- BRACING METHODS SHALL BE PER PLAN AND SHALL BE CONSTRUCTED IN CONFORMANCE WITH 2018 IRC R602.10.4 AND R602.10.5.
- FOR METHOD CS-WSP STRUCTURAL PANEL SHEATHING SHALL BE INSTALLED ON ALL SHEATHABLE SURFACES ON ONE SIDE OF THE BRACED WALL LINE INCLUDING AREAS ABOVE AND BELOW OPENINGS AND GABLE END WALLS. END CONDITIONS SHALL MEET THE REQUIREMENTS OF R602.10.7 AND DETAIL 9-S400.
- ALL HORIZONTAL PANEL JOINTS SHALL OCCUR OVER AND BE NAILED TO COMMON FRAMING OR BLOCKING WITH AN APPROPRIATE PANEL EDGE-NAILING SCHEDULE IN ACCORDANCE WITH IRC R602.10.4.4.
- INTERIOR FINISH OF EXTERIOR WALLS SHALL BE MINIMUM 1/2" GYPSUM BOARD INSTALLED ON THE INTERIOR SIDE.

BRACING METHODS

- BRACING CS-PF PER IRC R602.10.6.4
- BRACING CS-WSP PER IRC R602.10
- BRACING WSP PER IRC R602.10 (4" MIN PANEL LENGTH, UNO) (PARTIAL PANELS PER IRC R602.10.5.2, NOTED ON PLANS W/ LENGTH)
- BRACING LIB PER IRC R602.10 MINIMUM LIB LENGTH PER 2018 IRC TABLE R602.10.5:
  - 55' - 8" TALL WALL HEIGHT
  - 62' - 9" TALL WALL HEIGHT
  - 69' - 10" TALL WALL HEIGHT
- BRACING PFH PER IRC R602.10.6.2

SEE G701 FOR FASTENING OF MANUFACTURED PRODUCTS USED FOR COMPLIANCE WITH IECC AND IRC BRACING

WALL LEGEND



IRC TABLE N1102.1.2 (R402.1.2) INSULATION AND FENESTRATION REQUIREMENTS BY COMPONENT (PARTIAL) AND ENERGY CONSERVATION CODE COMPLIANCE

CLIMATE ZONE	FENESTRATION U-FACTOR	SKYLIGHT U-FACTOR	GLAZED FENESTRATION SHGC	CEILING AND ATTICS R-VALUE	VAULTS R-VALUE	WOOD FRAME WALL R-VALUE	FLOOR R-VALUE	BASEMENT WALL R-VALUE	SLAB R-VALUE & DEPTH	CRAWL SPACE WALL R-VALUE	DUCTWORK R-VALUE
4 EXCEPT MARINE	.32	.55	.40	49	49	20 OR 13+5H	19	10/13	10, 2 FT	10/13	8

3 - MAIN LEVEL PLAN  
1/4" = 1'-0"



AVITAL HOMES (816)914-7128

THIS DESIGN AND DETAILS DISCLOSED ARE THE EXCLUSIVE PROPERTY OF AVITAL HOMES AND SHALL NOT BE COPIED OR REPRODUCED IN WHOLE OR IN PART WITHOUT ITS PRIOR WRITTEN CONSENT.



EVERSTEAD  
3741 NE TROON DRIVE, SUITE 200  
LEE'S SUMMIT, MO 64064  
EVERSTEAD.COM (816)399-4901

**AVITAL HOMES**  
AVALON CRAFTSMAN  
RESERVE AT STONEY CREEK #123  
1921 SW HIGHTOWN DR  
LEE'S SUMMIT, MO 64082

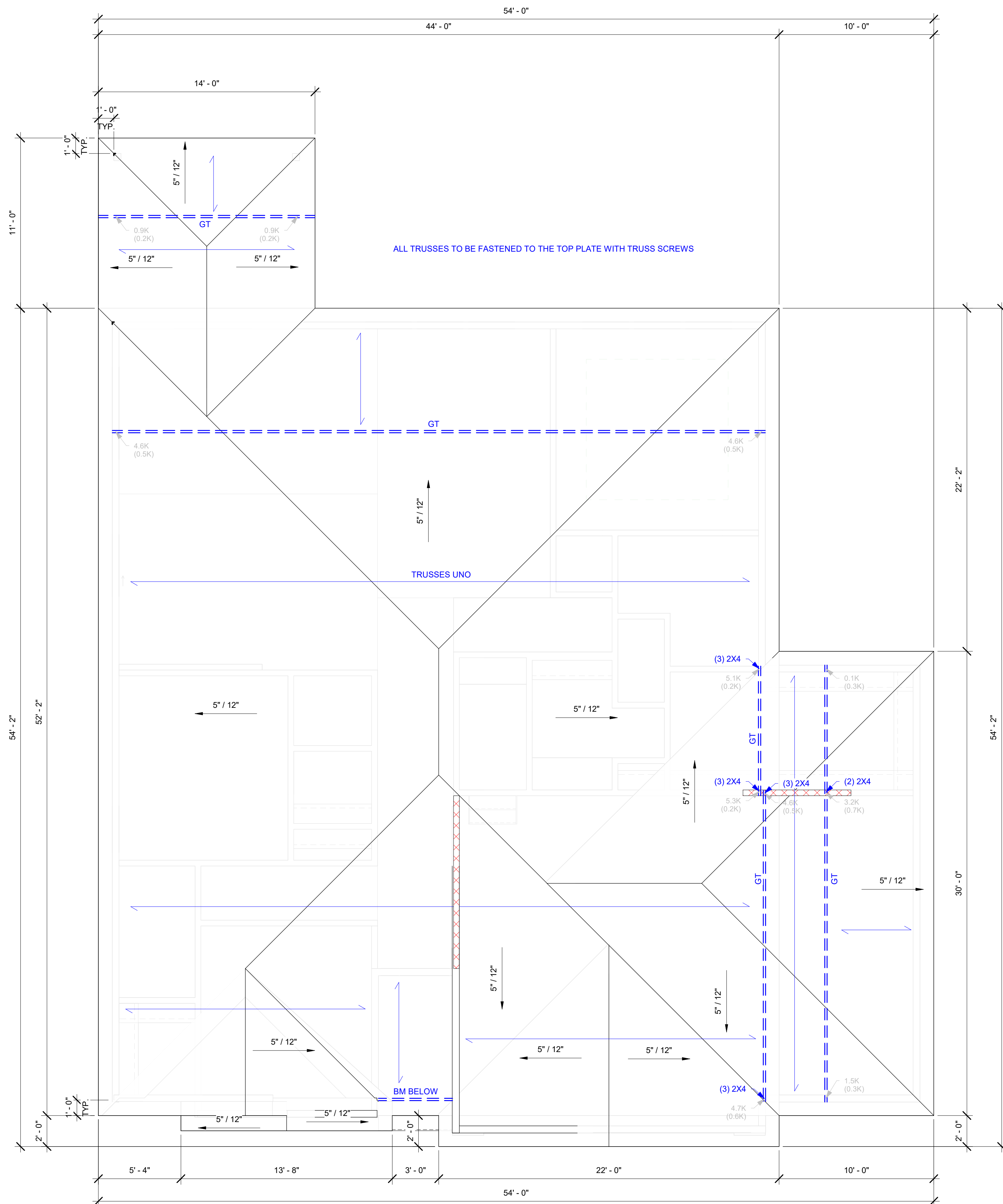
REVISIONS

1 - 01/26/26
--------------

MAIN LEVEL PLAN

G102

DATE 1/26/26 FOR CONSTRUCTION AS NOTED ON PLANS REVIEW DEVELOPER'S SIGNATURE  
SCALE



- TRUSS FRAMED ROOF NOTES**
1. ALL CONSTRUCTION SHALL CONFORM TO 2018 INTERNATIONAL RESIDENTIAL CODE OR ATTACHED ENGINEER SPECIFICATIONS WHERE APPLICABLE.
  2. DESIGNED FOR LIGHT ROOF COVERING, UNO. SEE G000 FOR MINIMUM LOADING.
  3. ALL EXTERIOR AND/OR LOAD BEARING WALL HEADERS SHALL BE MIN. (2) #2 2X10 UNO.
  4. CONSULT ENGINEER IF TRUSSES BEAR ON INTERIOR WALLS SHOWN AS NON-LOAD BEARING ON APPROVED PRINTS.
  5. PROVIDE 2X SOLID BLOCKING SUPPORT BELOW ALL POINT LOADS CONTINUOUS TO BEARING STRUCTURE AND/OR FOUNDATION BELOW.
  6. WOOD TRUSSES SHALL BE IN ACCORDANCE WITH IRC 802.10.
  7. CONSULT ENGINEER IF TRUSSES BEAR ON INTERIOR WALLS SHOWN AS NON-LOAD BEARING ON APPROVED PRINTS.
  8. GIRDER TRUSSES MUST HAVE LOAD CARRIED DOWN TO THE FOUNDATION OR LOAD SUPPORTING MEMBER. STUD PACK / COLUMN SHOWN ON PLANS.
  9. ROOF COVERING SHALL BE ASPHALT SHINGLES AND SHALL COMPLY WITH IRC 2018 SECT. R905.2
  10. MINIMUM ROOF SLOPE FOR ASPHALT SHINGLES SHALL BE 2:12.
  11. ROOF SLOPES IN BETWEEN 4:12 AND 2:12 SHALL REQUIRE DOUBLE UNDERLAYMENT IN ACCORDANCE WITH IRC 2018 TABLE R905.1.1(2).
  12. EVERSTEAD STRUCTURAL SCOPE ENDS AT TOP PLATE FOR ROOF TRUSSES.
- TRUSS SCREWS**
1. TRUSS SCREWS MAY BE USED INSTEAD OF THE FASTENING NOTED IN TABLE R602.3(1)
  2. TRUSS SCREWS MUST BE INSTALLED PER MANUFACTURER'S INSTRUCTIONS.
  3. BASIS OF DESIGN SHOWN ON PLANS:
    - A. SIMPSON STRONG DRIVE SDWC TRUSS SCREW
    - B. LENGTH: 6"
    - C. FASTENED THROUGH THE BOTTOM SIDE OF A #2 DOUGLAS FIR - LARCH DOUBLE TOP PLATE INTO THE BEARING END OF A TRUSS
      - a. (1) 6" SCREW - MIN 835 LBS UPLIFT WHEN INSTALLED IN THE CENTER OF THE TOP PLATE ON A MAX 20 DEG. ANGLE FROM VERTICAL (INSTALLATION TYPE 1)
      - b. (2) 6" SCREWS - MIN 1195 LBS UPLIFT WHEN BOTH SCREWS ARE INSTALLED VERTICALLY INTO TRUSS. (INSTALLATION CONF. B)
  4. TRUSS BEARING WITH UPLIFT THAT EXCEEDS THE TRUSS SCREW CAPACITY LISTED ABOVE MUST HAVE ADDITIONAL FASTENING, AS SHOWN ON PLAN.
- TRUSS DIRECTION  
 GIRDER TRUSS LOCATION  
 INTERIOR LOAD BEARING WALL

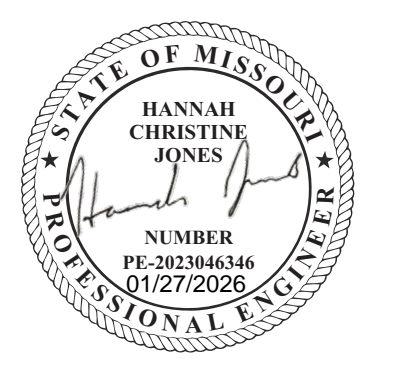


AVITAL HOMES (816)914-7128

THIS DESIGN AND DETAILS DISCLOSED ARE THE EXCLUSIVE PROPERTY OF AVITAL HOMES AND SHALL NOT BE COPIED OR REPRODUCED IN WHOLE OR IN PART WITHOUT ITS PRIOR WRITTEN CONSENT.



**EVERSTEAD**  
ENGINEERING & DESIGN



EVERSTEAD  
3741 NE TROON DRIVE, SUITE 200  
LEE'S SUMMIT, MO 64064  
EVERSTEAD.COM (816)399-4901

**AVITAL HOMES**  
AVALON CRAFTSMAN  
RESERVE AT STONEY CREEK #123  
1921 SW HIGHTOWN DR  
LEE'S SUMMIT, MO 64082

REVISIONS

**ROOF PLAN**

**G104**

DATE 1/26/2026 FOR CONSTRUCTION AS NOTED ON PLANS REVIEW DEVELOPER'S REVIEW  
SCALE

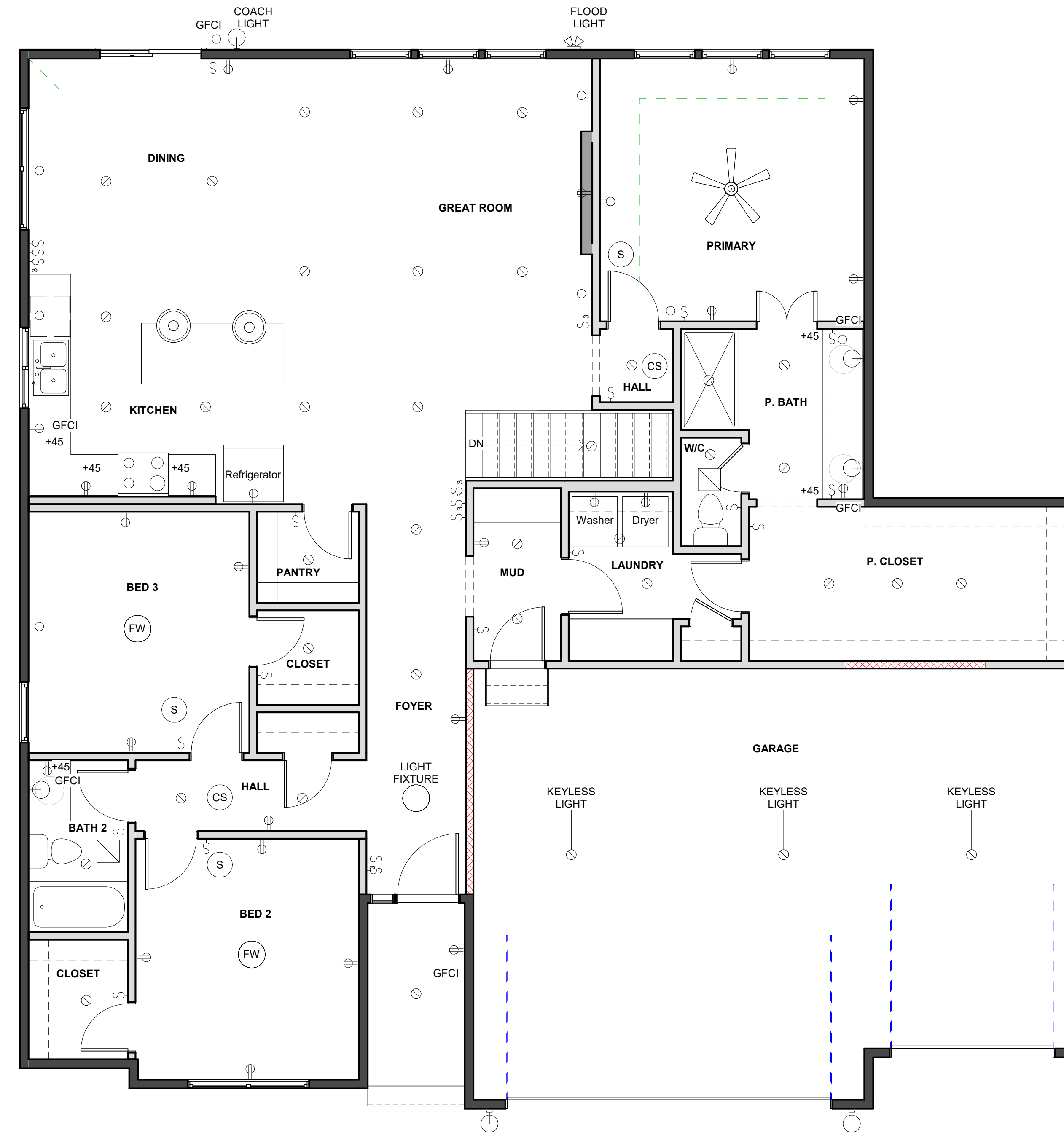
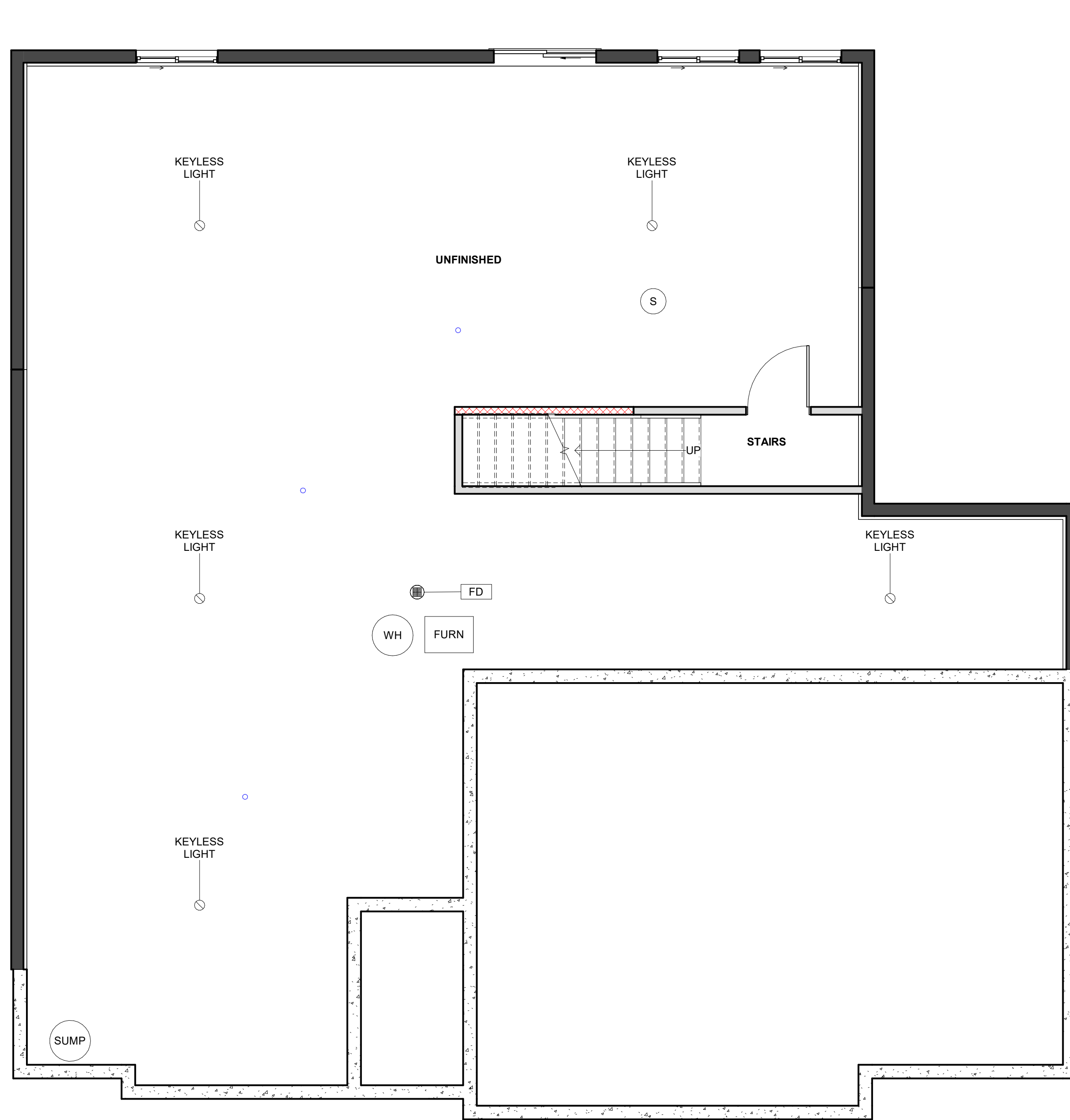
① 5 - ROOF PLAN  
1/4" = 1'-0"

REVISIONS

**LIGHTING PLAN**

**G105**

DATE 1/26/2026 FOR CONSTRUCTION  
SCALE AS NOTED OR PLANS REVIEW  
REVISIONS DEVELOPER'S REVIEW  
01/27/2026 3:48:55



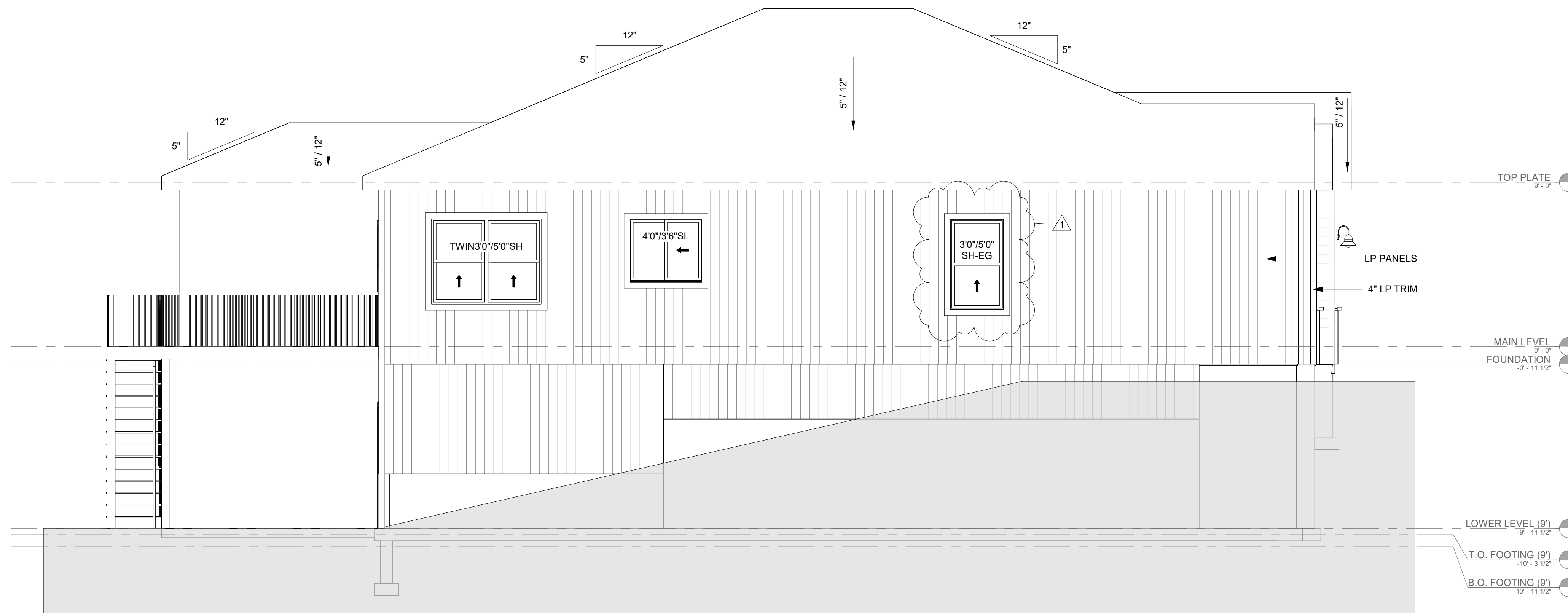
**LIGHTING/OUTLET LEGEND**

⊙ RECESSED LIGHT	⊙ SMOKE DETECTOR
⊙ FW SURFACE MOUNT LIGHT FIXTURE	⊙ CS CARBON/SMOKE DETECTOR
⊙ EXHAUST FAN	⊙ DUPLEX RECPICAL
⊙ PENDANT LIGHT	⊙ SINGLE WAY SWITCH
⊙ VANITY SCONCE	⊙ TWO WAY SWITCH
CEILING FAN	

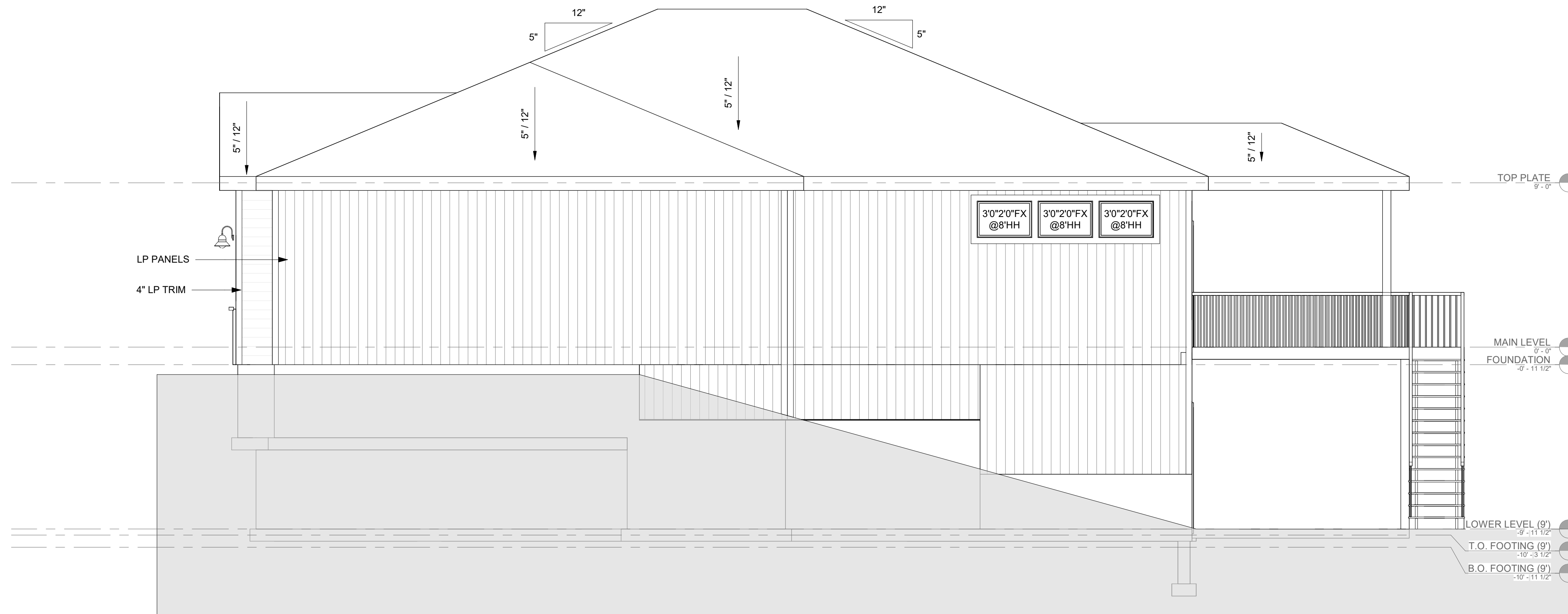
9'-0" FOUNDATION WALL EXCEPT AT STEP DOWNS  
TO BE LOCATED IN THE FIELD

UNBALANCED FILL  
NOT TO EXCEED 4'-0" AT UNRESTRAINED WALLS

ALL FOOTING TO BE  
BELOW FROST LINE (3'-0")  
AS REQUIRED PER SITE



① 6 - LEFT ELEVATION (9')  
1/4" = 1'-0"



② 8 - RIGHT ELEVATION (9')  
1/4" = 1'-0"



AVITAL HOMES (816)914-7128

THIS DESIGN AND DETAILS DISCLOSED ARE THE EXCLUSIVE PROPERTY OF AVITAL HOMES AND SHALL NOT BE COPIED OR REPRODUCED IN WHOLE OR IN PART WITHOUT ITS PRIOR WRITTEN CONSENT.



EVERSTEAD  
ENGINEERING & DESIGN



EVERSTEAD  
3741 NE TROON DRIVE, SUITE 200  
LEE'S SUMMIT, MO 64064  
EVERSTEAD.COM (816)399-4901

**AVITAL HOMES**  
AVALON CRAFTSMAN

RESERVE AT STONEY CREEK #123  
1921 SW HIGHTOWN DR  
LEE'S SUMMIT, MO 64082

REVISIONS
1 - 01/26/26

**DESIGN  
ELEVATIONS**

**G200**

DATE 1/26/26 FOR CONSTRUCTION  
SCALE AS NOTED OR PLANS REVIEW  
DEVELOPMENT REVIEWS

01/27/2026 3:48:55



EVERSTEAD
3741 NE TROON DRIVE, SUITE 200
LEE'S SUMMIT, MO 64064
EVERSTEAD.COM (816)399-4901

AVITAL HOMES
RESERVE AT STONEY CREEK #123 - AVALON CRAFTSMAN
1921 SW HIGHTOWN DR LEE'S SUMMIT, MO 64082

Table with 2 columns: REVISIONS, DATE. Includes a grid for tracking changes.

STRUCTURAL GENERAL NOTES

S000

DATE 12/27/2023
SCALE

- F. STAIRWAYS
STAIRWAYS SHALL PROVIDE A MAXIMUM 7-3/4" RISE AND A MINIMUM 10" RUN.
REQUIRED GUARD RAILS AT OPEN-SIDED WALKING SURFACES...
EXCEPTION (1): GUARD RAILS ON THE OPEN SIDES OF STAIRS SHALL HAVE A HEIGHT NOT LESS THAN 36" MEASURED VERTICALLY FROM A LINE CONNECTING THE LEADING EDGES OF THE TREADS.
EXCEPTION (2): WHERE THE TOP OF THE GUARD ALSO SERVES AS A HANDRAIL ON THE OPEN SIDES OF STAIRS...
GUARD RAIL ENCLOSURES SHALL HAVE INTERMEDIATE RAILS OF ORNAMENTAL PATTERNS THAT DO NOT ALLOW PASSAGE OF A SPHERE 4" IN DIAMETER.
EACH STAIRWAY OF FOUR OR MORE RISERS SHALL PROVIDE A CONTINUOUS HANDRAIL ON AT LEAST ONE SIDE BETWEEN 34" AND 38" ABOVE THE NOSING OF THE TREADS.
HANDRAILS SHALL HAVE A CIRCULAR CROSS SECTION OF 1-1/4" TO 2" OR OTHER APPROVED GRASPABLE SHAPE PER IRC R311.7.8.5.
MINIMUM 6'-8" OF HEADROOM CLEARANCE IS REQUIRED IN STAIRWAYS.
ENCLOSED ACCESSIBLE SPACE UNDER STAIRWAYS SHALL HAVE WALLS AND THE UNDERSIDE OF THE STAIR AND LANDING PROTECTED WITH 1/2" GYPSUM BOARD ON ENCLOSURE PER IRC R302.7.
G. GARAGES
THE GARAGE FLOOR SHALL SLOPE 1/8" PER 12" TO DRAIN OR VEHICLE ENTRY DOORWAYS.
DOORS BETWEEN THE GARAGE AND THE DWELLING TO BE: SELF CLOSING, MINIMUM 1-3/8" SOLID CORE OR HONEYCOMBED STEEL DOOR, AND AT LEAST 20 MINUTE FIRE RATED.
THE GARAGE SHALL BE SEPARATED FROM THE DWELLING AND ITS ATTIC AREAS BY A MINIMUM 1/2" GYPSUM BOARD APPLIED TO THE GARAGE SIDE WHERE A FLOOR/CEILING SPACE IS PROVIDED ABOVE.
THE GARAGE COLUMNS AND BEAMS SUPPORTING THE SEPARATION SHALL ALSO BE PROTECTED WITH 1/2" GYPSUM BOARD OR EQUIVALENT.
WHERE HABITABLE SPACE OCCURS ABOVE THE GARAGE FLOOR/CEILING ASSEMBLY SHALL BE PROTECTED WITH A MINIMUM 5/8" TYPE 'X' GYPSUM BOARD ON THE GARAGE CEILING.
GARAGE DOOR AND FRAME - THE 'H' FRAME FOR THE ATTACHMENT OF THE TRACK AND COUNTER BALANCE SHALL CONSIST OF THE FOLLOWING: 2X6 VERTICAL JAMBS RUNNING FROM THE FLOOR TO CEILINGS, ATTACHED WITH 1-3/4" X 0.120" NAILS AT 7" O.C. STAGGERED WITH (7) 3-1/4" X 0.120" NAILS THROUGH THE JAMB INTO THE HEADER, 2X8 HEADER (MINIMUM) FOR ATTACHMENT OF COUNTER BALANCE SYSTEM.
GARAGE VEHICLE DOORS AND FRAMES SHALL BE DESIGNED AND INSTALLED TO MEET THE 115 MPH WIND LOAD REQUIREMENT OF DASMA 108 AND ASTM E330-96 (IRC R301.2.1).
H. ROOF
THE ROOF IS DESIGNED FOR 20 PSF GROUND SNOW LOAD (MINIMUM).
PROVIDE 2X SOLID BLOCKING SUPPORT BELOW ALL POINT LOADS CONTINUOUS TO BEARING STRUCTURE AND/OR FOUNDATION BELOW.
ROOF IS ENGINEERED TO COMPLY WITH IRC R802.
ROOF TO BE ASPHALT SHINGLES UNO AND SHALL COMPLY WITH IRC 2018 SECT. R905.2
MINIMUM ROOF SLOPE FOR ASPHALT SHINGLES SHALL BE 2:12.
ROOF SLOPES IN BETWEEN 2:12 AND 4:12 SHALL REQUIRE DOUBLE UNDERLAYMENT IN ACCORDANCE WITH IRC 2018 SECTION R905.2.2.
\*APPLY A 19-INCH (483MM) STRIP OF UNDERLAYMENT FELT PARALLEL TO AND STARTING AT THE EAVES, FASTENED SUFFICIENTLY TO HOLD IN PLACE. STARTING AT THE EAVE, APPLY 36-INCH-WIDE (914 MM) SHEETS OF UNDERLAYMENT, OVERLAPPING SUCCESSIVE SHEETS 19 INCHES (483MM), AND FASTENED SUFFICIENTLY TO HOLD IN PLACE. END LAPS SHALL BE 4-INCH (102MM) AND SHALL BE OFFSET BY 6 FEET (1829 MM). DISTORTIONS IN THE UNDERLAYMENT SHALL NOT INTERFERE WITH THE ABILITY OF THE SHINGLES TO SEAL.\*
I. SAFETY REQUIREMENTS
1.1 EMERGENCY EGRESS AND RESCUE
PROVIDE ONE WINDOW FROM EACH BEDROOM THAT HAS A MINIMUM OPENABLE AREA OF 5.7 SQ. FT. WITH A MINIMUM OPENABLE HEIGHT OF 24" AND WIDTH OF 20".
BASEMENT EGRESS TO MEET THE REQUIREMENTS OF IRC R310.
1.2 SMOKE AND CARBON MONOXIDE SAFETY (PER IRC R314)
PROVIDE SMOKE ALARMS IN EACH SLEEPING ROOM, OUTSIDE OF EACH SLEEPING AREA AND ON EACH FLOOR INCLUDING BASEMENTS.
SMOKE ALARMS SHALL BE INTERCONNECTED IN SUCH A MANNER THAT THE ACTUATION OF ONE ALARM WILL ACTIVATE ALL OF THE ALARMS IN THE DWELLING.
CARBON MONOXIDE DETECTORS SHALL BE INSTALLED AS REQUIRED PER IRC R315.
J. ENERGY REQUIREMENTS
(THE FOLLOWING SHALL APPLY UNLESS "ECA" SHEETS HAVE BEEN INCLUDED IN THE PLAN SET)
LIGHTING FIXTURES PENETRATING THE THERMAL ENVELOPE SHALL BE IC-RATED, LEAKAGE RATED AND SEALED TO THE GYPSUM WALLBOARD AS REQUIRED PER IRC N1102.4.5.
PROGRAMMABLE THERMOSTATS SHALL BE INSTALLED AS REQUIRED PER IRC N1103.1.1.
AIR HANDLERS SHALL BE RATED FOR MAXIMUM 2% AIR LEAKAGE RATE PER IRC N1103.3.2.1.
BUILDING FRAMING CAVITIES SHALL NOT BE USED AS DUCTS OR PLENUMS.
HOT WATER PIPES SHALL BE INSULATED AS REQUIRED PER IRC N1103.4.
ALL EXHAUST FANS SHALL TERMINATE TO THE BUILDING EXTERIOR AS REQUIRED PER IRC M1504.3.
MAKEUP AIR SYSTEMS SHALL BE INSTALLED FOR KITCHEN EXHAUST HOODS THAT EXCEED 400 CFM AS REQUIRED PER IRC M1503.6.
AN AIR HANDLING SYSTEM SHALL NOT SERVE BOTH THE LIVING SPACE AND THE GARAGE PER IRC M1601.6 ENERGY CONSERVATION.
K. ABBREVIATIONS
AFF ABOVE FINISHED FLOOR
AB ANCHOR BOLT
BM BEAM
BRG BEARING
BFF BELOW FINISHED FLOOR
BOT BOTTOM
BWL BRACED WALL LINE
CJ CEILING JOIST
CLR CLEAR
COL COLUMN
MIN MINIMUM
CONC CONCRETE
NTS NOT TO SCALE
CMU CONCRETE MASONRY UNIT
OC ON CENTER
CNX CONNECTION
PCF POUNDS PER CUBIC FOOT
CONT CONTINUOUS
PCF POUNDS PER CUBIC FOOT
DBL DOUBLE
PLF POUNDS PER LINEAR FOOT
DIA DIAMETER
PSF POUNDS PER SQUARE FOOT
EW EACH WAY
PT PSI
EFF EFFECTIVE
PT PRESSURE TREATED
EL ELEVATION
RAFTER RAFTER
EC END CONDITION
SIP STRUCTURAL INSULATED PANEL
EOR ENGINEER OF RECORD
STL STEEL
EQ EQUAL
TYP TYPICAL
EQUIV EQUIVALENT
UNO UNLESS NOTED OTHERWISE
EFP EQUIVALENT FLUID PRESSURE
VERT VERTICAL
EX EXISTING
FV FIELD VERIFY
FF FINISHED FLOOR
FJ FLOOR JOIST
FTG FOOTING
FND FOUNDATION
HDR HEADER
HORZ HORIZONTAL
MAX MAXIMUM
MIN MINIMUM
NTS NOT TO SCALE
OC ON CENTER
PED PEDESTAL
PCF POUNDS PER CUBIC FOOT
PLF POUNDS PER LINEAR FOOT
PSF POUNDS PER SQUARE FOOT
PT PRESSURE TREATED
RAFTER RAFTER
SIP STRUCTURAL INSULATED PANEL
STL STEEL
TYP TYPICAL
UNO UNLESS NOTED OTHERWISE
VERT VERTICAL

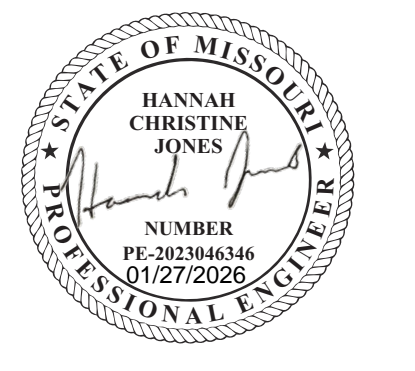
- D. FRAMING/STRUCTURE
D.1 FRAMING NOTES
ALL NON TREATED LUMBER SIZES ARE DOUGLAS FIR-LARCH #2 OR SOUTHERN YELLOW PINE #1 UNLESS OTHERWISE NOTED.
ALL TREATED/ROT RESISTANT LUMBER SIZES ARE #2 TREATED SOUTHERN YELLOW PINE, UNLESS OTHERWISE NOTED.
ALL UNMARKED HEADERS SHALL BE A MINIMUM #2 DOUGLAS FIR-LARCH OR SOUTHERN YELLOW PINE #1 (2) 2X10 ON LOAD BEARING WALLS.
ALL HEADERS/BEAMS TO BEAR ON A MINIMUM OF (2) 2X4 JACK STUDS UNO. KING STUDS SHALL BE PROVIDED AT ALL HEADERS IN ACCORDANCE WITH IRC TABLE R602.7.5.
DOUBLE JOIST UNDER PARALLEL INTERIOR NON-LOAD BEARING WALLS.
CANTILEVERS, OVER BEAMS AND DOOR JAMBS SHALL BE BLOCKED.
ANY WOOD MEMBER IN CONTACT WITH CONCRETE OR MASONRY (OR THE FURRING THEY ARE ATTACHED TO) SHALL BE OF DECAY RESISTANT MATERIAL.
IN BEARING WALLS, STUDS WHICH ARE NOT MORE THAN 10'-0" FEET IN LENGTH SHALL BE SPACED NOT MORE THAN IS SPECIFIED IN IRC TABLE R602.3(5) FOR THE CORRESPONDING STUD SIZE. THOSE STUDS GREATER THAN 10'-0" FEET IN LENGTH SHALL BE DESIGNED BY A PROFESSIONAL ENGINEER OR REGISTERED ARCHITECT.
ALL WOOD STRUCTURAL PANELS SHALL CONFORM TO THE MOST CURRENT APPLICABLE SPECIFICATION AND SUPPLEMENTS OF THE APA OR EQUIVALENT. ALL PANEL END JOINTS SHALL OCCUR OVER SUPPORTS AND SHALL BE STAGGERED ONE HALF PANEL LENGTH FROM ADJACENT PANELS. PROVIDE 1/8" INCH SPACE AT PANEL ENDS. WOOD STRUCTURAL PANEL MOISTURE CONTENT SHALL BE LESS THEN OR EQUAL TO 16%.
ALL STRUCTURAL FRAMING MEMBERS SHALL BE AS FOLLOWS UNO:
2X4 OR 2X6 EXTERIOR WALLS AS PERMITTED BY CODE; DOUGLAS FIR-LARCH #2 (DF-L #2), SOUTHERN YELLOW PINE #1 OR BETTER.
EXTERIOR WALLS TO BE CONTINUOUSLY SHEATHED WITH MIN. 7/16" OSB., UNLESS BRACING IS SHOWN ON PLANS
EXTERIOR OSB SHEATHING TO BE FASTENED WITH 8D COMMON NAILS; 6" O. C. AT PANEL EDGES; 12" O. C. IN THE FIELD.
2X4 OR 2X6 INTERIOR LOAD BEARING WALLS DF-L #2 OR BETTER.
LOAD BEARING, BRACED, AND SHEAR WALLS, REQUIRE A DOUBLE TOP PLATE. THE TOP PLY BEING FIELD APPLIED WITH A MIN. 24" LAP SPLICE
FIELD APPLIED LAP SPLICED TOP PLATE; DF-L #2 OR BETTER
LOAD BEARING HEADERS PER HEADER SCHEDULE OR AS SHOWN ON FRAMING PLANS.
LOAD BEARING HEADERS TO BE FABRICATED WITH THE HEADER AT THE UNDER SIDE OF THE TOP PLATE WITH CRIPPLE FRAMING BELOW AS NEEDED UNO.
INTERIOR NON LOAD BEARING WALLS: DF-L #2 STUD GRADE OR BETTER
DOUBLE TOP PLATE IS NOT REQUIRED FOR INTERIOR NON LOAD BEARING WALLS
HEADER CRIPPLE SPACING CAN BE 24" O. C. REGARDLESS OF WALL STUD SPACING FOR NON LOAD BEARING WALLS
CRIPPLE FRAMING NOT REQUIRED ABOVE OR BELOW OPENINGS WHERE THE VERTICAL CLEAR HEIGHT IS 22" OR LESS FOR NON-LOAD BEARING WALLS.
ALL LUMBER IN CONTACT WITH MASONRY OR OTHERWISE EXPOSED TO WEATHERING TO BE PRESSURE TREATED (PT).
FIELD APPLIED SILL PLATE: TREATED LUMBER
BOTTOM (SOLE) PLATE IN CONTACT WITH MASONRY: TREATED LUMBER
ALL PRESSURE TREATED WOOD SHALL BE PRESSURE TREATED WITH WATER-BORNE PRESERVATIVES. PRESSURE TREATMENT SHALL COMPLY WITH THE REQUIREMENTS OF AWPB, C2, LP-22, AND IRC SECTION R317. ALL LUMBER < 6" ABOVE THE FINISHED GRADE SHALL BE PRESSURE TREATED.
FASTENERS, INCLUDING NUTS AND WASHERS, FOR PRESSURE TREATED WOOD SHALL BE HOT-DIPPED, ZINC-COATED GALVANIZED STEEL, STAINLESS STEEL, SILICON BRONZE OR COPPER. COATING TYPES AND WEIGHTS FOR CONNECTORS IN CONTACT WITH PRESSURE TREATED WOOD SHALL BE IN ACCORDANCE WITH THE CONNECTOR MANUFACTURER'S RECOMMENDATIONS. IN THE ABSENCE OF MANUFACTURER'S RECOMMENDATIONS, A MIN. OF ASTM A653 TYPE G185 ZINC-COATED GALVANIZED STEEL, OR EQUIVALENT, SHALL BE USED. FOR EXCEPTIONS, REFER TO R317.3.1.
ENGINEERED LUMBER MINIMUM DESIGN REQUIREMENTS
Table with 4 columns: Fc (PSI), E (PSI), Fv (PSI)
LVL: Fc 3100, E 1.9X10^6, Fv 285
GLU-LAM: Fc 2400, E 1.8X10^6, Fv 230
D.2 STRUCTURAL STEEL
STEEL DESIGN, FABRICATION, AND ERECTION SHALL CONFORM WITH AMERICAN INSTITUTE OF STEEL CONSTRUCTION.
STEEL PIPE COLUMNS SHALL BE A MINIMUM OF SCHEDULE 40.
STEEL GRADE AND SPECIFICATION SHALL BE AS FOLLOWS:
HOLLOW STRUCTURAL SECTIONS: ASTM A500 (Fy = 46 KSI)
CHANNELS, PLATES, ANGLES, AND COLUMNS: ASTM A36 (Fy = 36 KSI)
WIDE FLANGES: ASTM A992 (Fy = 50 KSI)
STEEL PIPE COLUMN: ASTM A53 GR.B (Fy = 35 KSI)
ANCHOR RODS: ASTM F1554 (Fy = 36 KSI)
BOLTS SHALL CONFORM TO ASTM A307
WELDING SHALL CONFORM TO THE AWS CODES FOR BUILDING CONSTRUCTION, WELDING SHALL BE PERFORMED IN ACCORDANCE TO WELDING PROCEDURE SPECIFICATIONS (WPS) AS REQUIRED IN AWS D1.1. THE WPS VARIABLES SHALL BE WITHIN THE PARAMETERS ESTABLISHED BY THE FILLER-METAL MANUFACTURER.
WELDS SHALL USE E70XX ELECTRODES AND A MINIMUM OF 3/16" SIZE UNLESS NOTED OTHERWISE.
ALL WELDS SPECIFIED AS FIELD WELDS MAY BE SHOP WELDED AT THE CONTRACTOR'S OPTION IF ERECTION CAN STILL BE EXECUTED.
E. GLAZING
GLAZING IN HAZARDOUS LOCATIONS AS IDENTIFIED IN IRC R308.4 SHALL BE OF APPROVED SAFETY GLAZING MATERIALS.
GLASS IN STORM DOORS: INDIVIDUAL FIXED OR OPERABLE PANELS ADJACENT TO A DOOR WHERE THE NEAREST VERTICAL EDGE OF THE GLAZING IS WITHIN A 24" ARC OF EITHER VERTICAL EDGE OF THE DOOR IN A CLOSED POSITION AND WHERE THE BOTTOM EDGE OF THE GLAZING IS LESS THAN 60" ABOVE THE FLOOR.
GLAZING ADJACENT TO THE LANDING AT THE BOTTOM OF THE STAIRWAY WHERE THE GLAZING IS LESS THAN 36 INCHES ABOVE THE LANDING AND WITHIN A 60 IN HORIZONTAL ARC LESS THAN 180 DEGREES FROM THE BOTTOM TREAD NOSING SHALL BE CONSIDERED A HAZARDOUS LOCATION.
GLAZING IN WALLS, ENCLOSURES OR FENCES CONTAINING OR FACING HOT TUBS, SPAS, WHIRLPOOLS, SAUNAS, STEAM ROOMS, BATHTUBS, SHOWERS, AND INDOOR OR OUTDOOR SWIMMING POOLS WHERE THE BOTTOM EXPOSED EDGE OF THE GLAZING IS LESS THAN 60" MEASURED VERTICALLY ABOVE ANY STANDING OR WALKING SURFACE.
WINDOW FALL PROTECTION SHALL BE PROVIDED IN ACCORDANCE WITH IRC R312.2.

- C.5 CONCRETE (CONT.)
CONCRETE MIX TO UTILIZE A MAXIMUM WATER-CEMENT MATERIALS RATIO OF 0.45 FOR ALL APPLICATIONS. ADMIXTURES SHALL NOT CONTAIN ANY CHLORIDES.
CONCRETE POURED AGAINST AN EXISTING SURFACE SHOULD BE ROUGHENED TO A MINIMUM OF 1/4 INCH AMPLITUDE.
REBAR PLACEMENT SHALL BE AS FOLLOWS:
CONCRETE CAST AGAINST AND PERMANENTLY EXPOSED TO EARTH 3.0 IN CLR
CONCRETE EXPOSED TO EARTH OR WEATHER 1.5 IN CLR
NOT EXPOSED TO WEATHER OR GROUND
1) SLABS, WALLS, JOISTS 3/4 IN CLR
2) BEAMS, COLUMNS 1.5 IN CLR
CONCRETE MIX DESIGN SHALL BE 6% (+1%) AIR-ENTRAINED FOR GARAGE SLABS, FOOTINGS, WALLS, OR FLATWORK EXPOSED TO WEATHER
SHORING AND SUPPORTING FORMWORK SHALL NOT BE REMOVED FROM HORIZONTAL MEMBERS BEFORE CONCRETE STRENGTH REACHES 70% OF STRENGTH DETERMINED BY CYLINDERS OR 28 DAYS.
ALL FOUNDATION WALLS ENCLOSING BELOW GRADE SPACE SHALL BE DAMPROOFED. THE DAMPROOFING SHALL EXTEND FROM THE EDGE OF THE FOOTING TO THE FINISHED GRADE. (IRC R406.1)
C.6 CONCRETE WALLS WITH REINFORCEMENT STEEL
REINFORCING STEEL SHALL CONFORM TO ASTM A615, GRADE 40.
SMOOTH BARS OR WELDED WIRE FABRIC SHALL CONFORM TO ASTM 185.
90 DEG. HOOK SHOWN IN DRAWINGS SHALL BE STANDARD PER ACI 318-14.
STRAIGHT EXTENSION LENGTH = 12X BAR DIA.
BEND DIAMETER = 12X BAR DIA.
HOOKED DOWELS:
HOOKED DOWELS FROM FOUNDATIONS TO WALL SHALL BE PROVIDED TO MATCH VERTICAL WALL REINFORCING AND EXTENDED TO 3" CLEAR FROM BOTTOM OF FOUNDATION.
HOOKED DOWELS MATCH SLAB REINFORCING FROM SLAB TO WALLS OR SLAB TO FOUNDATION.
PROVIDE (2) - #5 BARS AROUND PERIMETER OF ALL SUSPENDED SLABS.
WHERE SPLICES ARE NECESSARY IN REINFORCEMENT, THE LENGTH OF LAP SPLICE SHALL BE IN ACCORDANCE WITH TABLE R608.5.4(1) AND FIGURE R608.5.4(1). THE MAXIMUM GAP BETWEEN ADJACENT PARALLEL BARS AT A LAP SPLICE SHALL NOT EXCEED THE SMALLER OF ONE-FIFTH THE REQUIRED LAP LENGTH AND 6 INCHES (152MM) [SEE FIGURE R608.5.4.(1)].
TOP HORIZONTAL REINFORCEMENT SHALL BE PLACED WITHIN 12" FROM THE TOP OF THE WALL.
HORIZONTAL WALL REINFORCEMENT SHALL TERMINATE AT THE END OF THE WALL WITH A STANDARD HOOK
C.7 COLD WEATHER CONCRETE
COLD WEATHER IS DEFINED AS THREE CONSECUTIVE DAYS WHERE THE AVERAGE DAILY TEMPERATURE DROPS BELOW 40 DEGREES FAHRENHEIT AND NOT ABOVE 50 DEGREES FAHRENHEIT FOR MORE THAN HALF OF ANY ONE OF THOSE THREE DAYS.
COLD WEATHER CONCRETE WORK SHALL CONFORM TO ACI 306.
ALL MATERIALS AND EQUIPMENT REQUIRED FOR PROTECTION SHALL BE AVAILABLE AT THE PROJECT SITE BEFORE COLD WEATHER CONCRETING BEGINS.
THE CONCRETE MIX DESIGN PROVIDED BY THE SUPPLIER SHALL AT A MINIMUM REACH THE AVERAGE 28 DAY MIX DESIGN COMPRESSIVE STRENGTH IN MINIMUM 72 HOURS OR 2000 PSI - WHICHEVER IS GREATER.
THE TEMPERATURE OF CONCRETE AT PLACEMENT SHALL BE A MINIMUM OF 55 DEGREES FAHRENHEIT.
THE MINIMUM CONCRETE TEMPERATURE AT THE TIME OF MIXING SHALL NOT BE BELOW 65 DEGREES FAHRENHEIT.
ALL SNOW, ICE AND FROST MUST BE REMOVED PRIOR TO PLACING CONCRETE.
THE CONTRACTOR SHALL PROVIDE ADEQUATE PROTECTION FOR CONCRETE AGAINST FREEZING AND MAINTAIN A CONCRETE TEMPERATURE OF 55 DEGREES FAHRENHEIT FOR A 72 HOUR PERIOD AFTER CONCRETE PLACEMENT. THIS MAY BE ACHIEVED WITH THE USE OF INSULATING BLANKETS AND/OR THE USE OF TEMPORARY HEATERS.
GROUND TEMPERATURE AT THE TIME OF PLACEMENT OF SLAB OR FOOTINGS SHALL NOT BE LESS THAN 35 DEGREES FAHRENHEIT.
INSULATION, FORMS AND HEATERS MAY BE REMOVED AFTER 72 HOURS.
MAINTAIN ADEQUATE PROTECTION OF SUB GRADE AND ADEQUATE DRAINAGE AWAY FROM EXPOSED CONCRETE ELEMENT TO PREVENT FREEZING.
C.8 FOOTNOTES
VERTICAL REINFORCEMENT FOR CONCRETE WALLS THAT ARE NOT FULL HEIGHT AND FOR REINFORCEMENT SPACED 24" O.C. MAY BE PLACED IN THE MIDDLE OF THE WALL. OTHER WALLS SHALL HAVE VERTICAL REINFORCEMENT PLACED AS FOLLOWS:
8" WALL - MINIMUM 2" FROM TENSION FACE
10" WALL - MINIMUM 6-3/4" FROM THE OUTSIDE FACE
EXTEND BARS TO WITHIN 8" OF THE TOP OF THE WALL
HORIZONTAL REINFORCEMENT:
ONE BAR SHALL BE PLACED WITHIN 12" OF THE TOP OF THE WALL
OTHER BARS SHALL BE EQUALLY SPACED WITH SPACING NOT TO EXCEED 24" O.C.
HORIZONTAL BARS SHOULD BE AS CLOSE TO THE TENSION FACE AS POSSIBLE (INTERIOR); AND BEHIND THE VERTICAL REINFORCEMENT (I.E. 2" FROM INSIDE FACE)
SUPPLEMENTAL REINFORCEMENT AT CORNERS - PLACE 1 #4 REBAR 48" LONG AT 45 DEGREE ANGLE AT CORNERS OF OPENINGS. PLACE REINFORCEMENT WITHIN 6" OF THE EDGE OF INSIDE CORNERS.
AT MASONRY LEDGES THE MINIMUM WALL THICKNESS SHALL BE 3-1/2". LEDGES SHALL NOT EXCEED A DEPTH OF MORE THAN 24" BELOW THE TOP OF THE WALL FOR WALL THICKNESS LESS THAN 4". PROVIDE #4 BARS AT MAXIMUM 24" O.C. TO WITHIN 8" OF THE TOP OF THE WALL.
STRAIGHT WALLS MORE THAN 5'-0" TALL AND MORE THAN 16'-0" LONG SHALL BE PROVIDED WITH EXTERIOR BRACED RETURN WALLS. WALL LENGTH SHALL BE MEASURED USING INSIDE THE SHORTEST DIMENSION BETWEEN INTERSECTING WALLS (SEE TYPICAL DEAD MAN SECTION).

Table: MINIMUM SPECIFIED COMPRESSIVE STRENGTH OF CONCRETE PER TABLE R402.2. Columns: TYPE OR LOCATION OF CONCRETE CONSTRUCTION, MINIMUM SPECIFIED COMPRESSIVE STRENGTH (F'c) FOR SEVER WEATHERING POTENTIAL. Rows include Basement Walls, Slabs, Footings, etc.

- A. GENERAL NOTES IRC 2018
A.1 PLANS SHALL COMPLY WITH 2018 INTERNATIONAL RESIDENTIAL CODE (IRC) WITH AMENDMENTS AS ADOPTED BY THE APPROPRIATE GOVERNING JURISDICTION. THE CONTRACTOR SHALL NOTIFY THE EVERSTEAD IF ANY CHANGES OR DEVIATIONS FROM THE PLAN ARE MADE DURING CONSTRUCTION. EVERSTEAD MAY REQUIRE REVISED DRAWING OR CALCULATIONS AT ITS DISCRETION. IF DISCREPANCIES ARE IDENTIFIED THE MOST CONSERVATIVE SPECIFICATION SHALL APPLY.
A.2 LOADING ASSUMPTIONS
DEAD
ROOF: 10 PSF UNO
ROOF + CEILING (NO STORAGE): 15 PSF
ROOF + CEILING (STORAGE): 20 PSF
CEILING JOISTS (STORAGE): 10 PSF
EXTERIOR BALCONY / DECK: 10 PSF
INTERIOR FLOOR (MAIN FLOOR): 15 PSF
INTERIOR FLOOR (UPPER FLOORS): 10 PSF
8" THICK MASONRY WALL: 96 PSF
6" THICK MASONRY WALL: 72 PSF
EXTERIOR LIGHT FRAMED WOOD WALLS: 15 PSF
INTERIOR LIGHT FRAMED WOOD WALLS: 10 PSF
INTERIOR WALLS INCLUDED IN 15 PSF DEAD LOAD)
LIVE
ROOF LIVE LOAD: 20 PSF
FLOOR LIVE LOAD: 40 PSF (HABITABLE)
GARAGE: 50 PSF WITH 2000 LB POINT LOAD
STORAGE: 20 PSF (UNINHABITABLE)
GUARDRAIL: 80 PSF
CONTINUOUS LINEAR: 50 PLF
MAXIMUM POINT: 200 LBS
SNOW
GROUND SNOW LOAD: 20 PSF
WIND
VELOCITY: 115 MPH
EXPOSURE CATEGORY: B
B. SOIL AND SITE ASSUMPTIONS
B.1 FOUNDATION DESIGN ASSUMES MINIMUM SOIL BEARING FOR THE SITE OF 1,500 PSF (2,000 PSF FOR KANSAS CITY, MO) UNLESS OTHERWISE NOTED. CONTRACTOR TO VISUALLY INSPECT THE SITE OR PROVIDE GEOTECHNICAL INVESTIGATION TO VERIFY MINIMUM ACCEPTABLE SOIL CONDITIONS FOR CL (SILTY CLAY) AS DEFINED BY 2018 IRC. THE CONTRACTOR IS RESPONSIBLE FOR ANY SOIL CONDITION THAT DOES NOT MEET THE MINIMUM REQUIREMENTS AND FOR CONTACTING EVERSTEAD.
B.2 ACCESSORY STRUCTURES WITH AN EAVE HEIGHT LESS THAN 10'-0" AND AN AREA LESS THAN 600 FT MAT PROVIDE A MINIMUM SOIL COVER OF 12 INCHES MEASURED FROM THE BOTTOM OF CONCRETE.
B.3 LATERAL SOIL PRESSURES UNLESS OTHERWISE NOTED
ACTIVE: 80 PSF
AT REST: 100 PSF
B.4 SITE GRADING SHALL PROVIDE POSITIVE DRAINAGE AWAY FROM THE STRUCTURE AT A MINIMUM OF 0.5% (6" IN THE FIRST 10'-0"). ALTERNATE APPROACHES MAY BE APPROVED IF THE ALTERNATE DESIGN IS EQUIVALENT IN EFFECTIVENESS AND PERFORMANCE. AND PROVIDES FOR POSITIVE SITE DRAINAGE.
C. FOUNDATION NOTES
C.1 FOUNDATION ANCHORAGE (IRC R403.1.6)
SILL PLATES SHALL BE BOLTED TO THE FOUNDATION WALL WITH A MINIMUM 1/2" DIAMETER ANCHOR BOLTS EMBEDDED AT LEAST 7" INTO THE CONCRETE.
BOLTS SHALL BE SPACED NO GREATER THAN 6'-0" O.C.
THERE SHALL BE A MINIMUM OF TWO BOLTS PER PLATE SECTION, WITH A BOLT PLACED WITHIN 12" AND NOT CLOSER THAN 7 BOLT DIAMETERS OF THE END OF EACH PLATE SECTION.
A PROPERLY SIZED NUT AND WASHER SHALL BE TIGHTENED ON EACH BOLT TO THE PLATE. (NOTE: 7" EMBEDMENT + 1-1/2" SILL PLATE + 3/4" FOR NUT AND WASHER EQUALS A 9-1/4" LONG BOLT).
WALL BRACING METHODS (IRC R602) MAY REQUIRE ADDITIONAL ANCHORAGE.
C.2 CONCRETE SLABS
CONCRETE SLABS PLACED ON FILL MATERIAL WHICH SHALL BE COMPARED TO ENSURE UNIFORM SUPPORT OF THE SLAB AND SHALL NOT EXCEED 24" OF COMPACTED GRANULATED MATERIAL (SAND OR GRAVEL) OR 8" OF EARTH:
THIS MAY OCCUR AT GARAGE FLOOR FILLS, OR OVER EXCAVATED AREAS UNDER FLOOR SLABS.
THE DESIGN AND INSTALLATION DETAILS IN THIS DOCUMENT (WHERE APPLICABLE BASED ON SIZE AND SPACING LIMITATIONS) MAY BE USED IN LIEU OF PROVIDING A SEPARATE DESIGN.
STRUCTURAL SLABS EXCEEDING THE SPANS AND CONDITIONS OF THE APPROVED DETAILS SHALL BE DESIGNED BY A PROFESSIONAL ENGINEER.
SLABS AT MAX 4'-0" OVER-DIG ADJACENT TO FOUNDATION WALL:
WHERE SOIL IS EXCAVATED FOR A MAXIMUM DIMENSION OF 4'-0" HORIZONTALLY ADJACENT TO A FOUNDATION WALL, THE STANDARD OVER-DIG DETAIL MAY BE USED IN LIEU OF A COMPLETE STRUCTURAL SLAB.
SEE "TYPICAL FOOTING/FOUNDATION WALL/STANDARD SLAB AT MAX 4'-0" OVER-DIG" DETAIL.
C.3 VAPOR RETARDER / BARRIER (IRC R506.2.3)
A 6 MILLIMETER POLYETHYLENE OR APPROVED VAPOR RETARDER WITH JOINTS LAPPED A MINIMUM OF 6" IS REQUIRED BETWEEN THE CONCRETE FLOOR SLAB AND THE BASE COURSE OR PREPARED SUBGRADE. (NOT REQUIRED FOR GARAGE SLABS OR DETACHED UNHEATED ACCESSORY BUILDINGS).
C.4 FOOTINGS
THE BOTTOM OF ALL FOOTINGS SHALL EXTEND NOT LESS THAN 36" BELOW GRADE FOR FROST PROTECTION (IRC R403.1.4).
FOOTINGS FOR FREESTANDING ACCESSORY STRUCTURES WITH AN AREA OF 600 SQ. FT. OR LESS AND AN EAVE HEIGHT OF 10'-0" OR LESS SHALL EXTEND BELOW GRADE A MINIMUM OF 12".
EXTERIOR WALLS, BEARING WALLS, COLUMNS AND PIERS SHALL BE SUPPORTED ON CONTINUOUS SOLID MASONRY OR CONCRETE FOOTINGS, OR APPROVED STRUCTURAL SYSTEM TO SAFELY SUPPORT THE IMPOSED LOADS AND SHALL BE SIZED AND REINFORCED IN ACCORDANCE WITH THIS STANDARD OR SHALL BE ENGINEERED DESIGN.
FOOTINGS UNDER FOUNDATION WALLS SHALL BE CONTINUOUS AROUND THE STRUCTURE AND FROM ONE LEVEL TO THE NEXT.
THE CONTINUOUS TRANSITIONS BETWEEN FOOTINGS AT DIFFERENT LEVELS ENCLOSING USABLE SPACE SHALL BE MADE BY APPROVED SOLID JUMPS OR SUPPORT SYSTEMS TO PROVIDE SAFE SUPPORT OF THE STRUCTURE.
SEE "TYPICAL FOOTING/FOUNDATION WALLS/STANDARD SLAB AT MAXIMUM 4' OVER-DIG" AND "FOOTING JUMP" DETAILS.
C.5 CONCRETE
ALL CONCRETE CONSTRUCTION SHOULD CONFORM TO ACI 318-14 (OR ACI 332) OR 2018 IRC.
THE MINIMUM CONCRETE 28 DAY COMPRESSIVE STRENGTH SHALL BE AS SPECIFIED IN IRC TABLE R402.2.

DATE 12/27/2023
SCALE
AS NOTED ON PLANS REVIEW
DEVELOPER'S REVIEW
01/27/2026 3:48:55



EVERSTEAD  
3741 NE TROON DRIVE, SUITE 200  
LEE'S SUMMIT, MO 64064  
EVERSTEAD.COM (816)399-4901

**AVITAL HOMES**

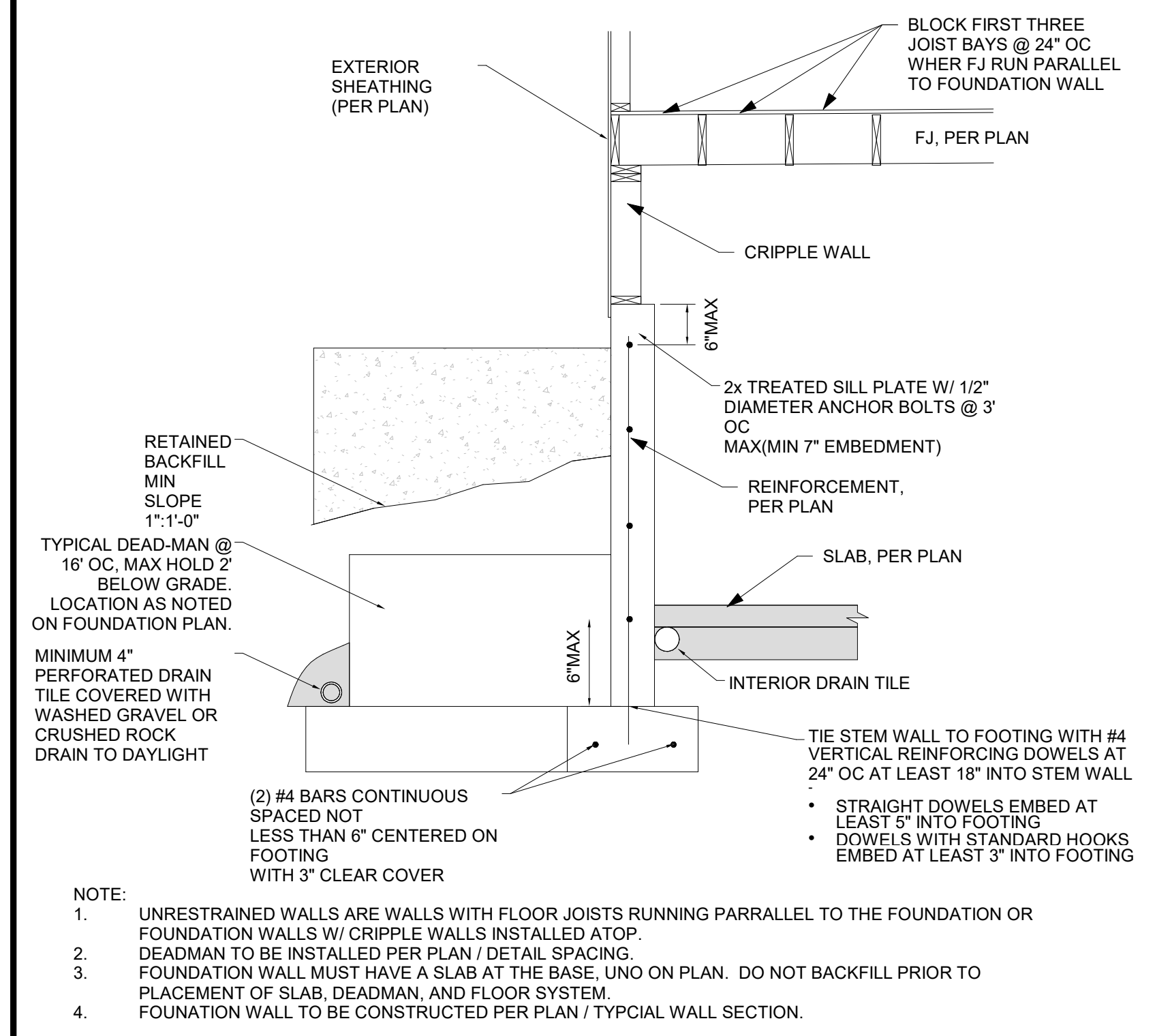
RESERVE AT STONEY CREEK #123 - AVALON CRAFTSMAN  
1921 SW HIGHTOWN DR LEE'S SUMMIT, MO 64082

NO.	REVISIONS

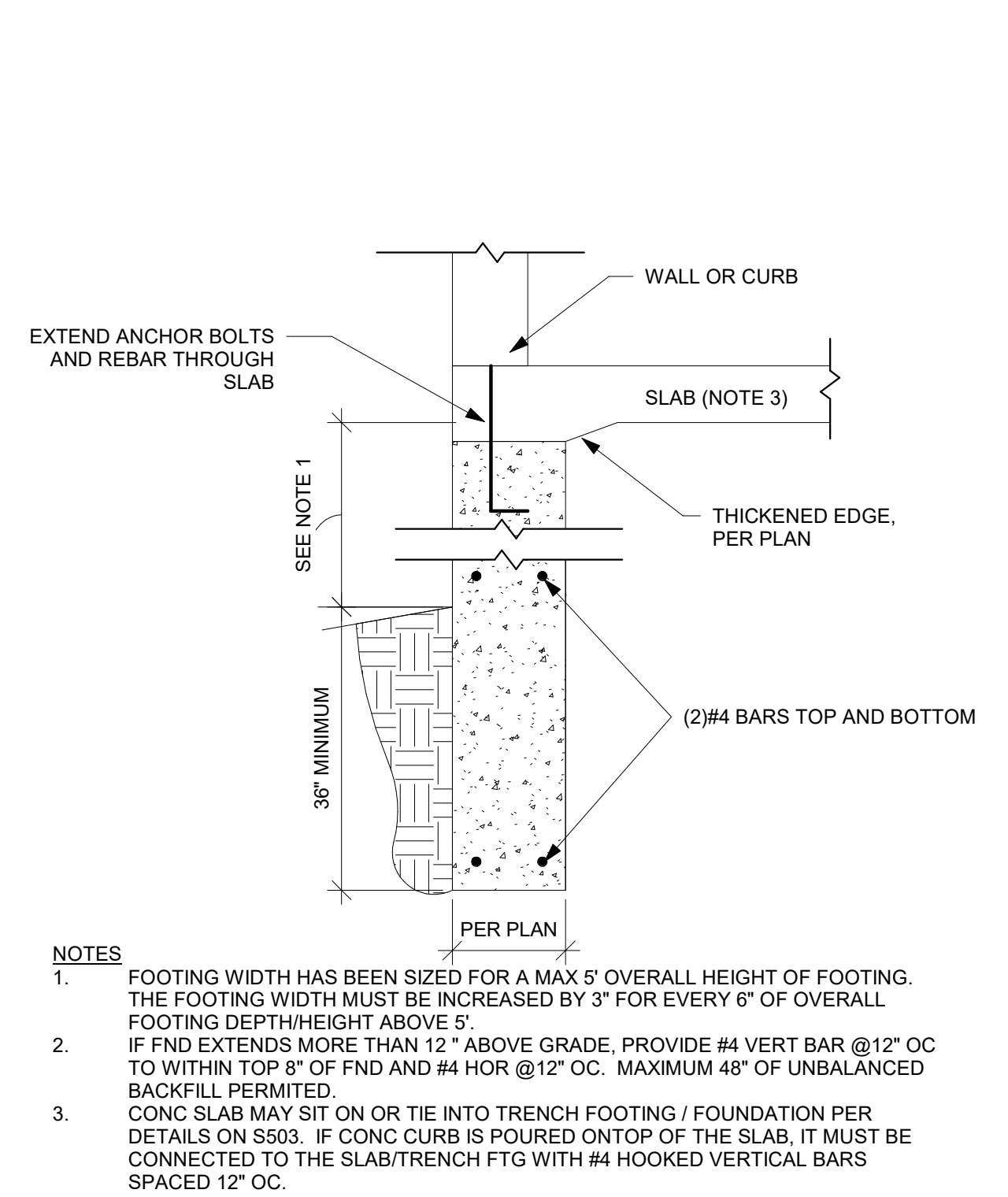
**FOUNDATION DETAILS**

**S501**

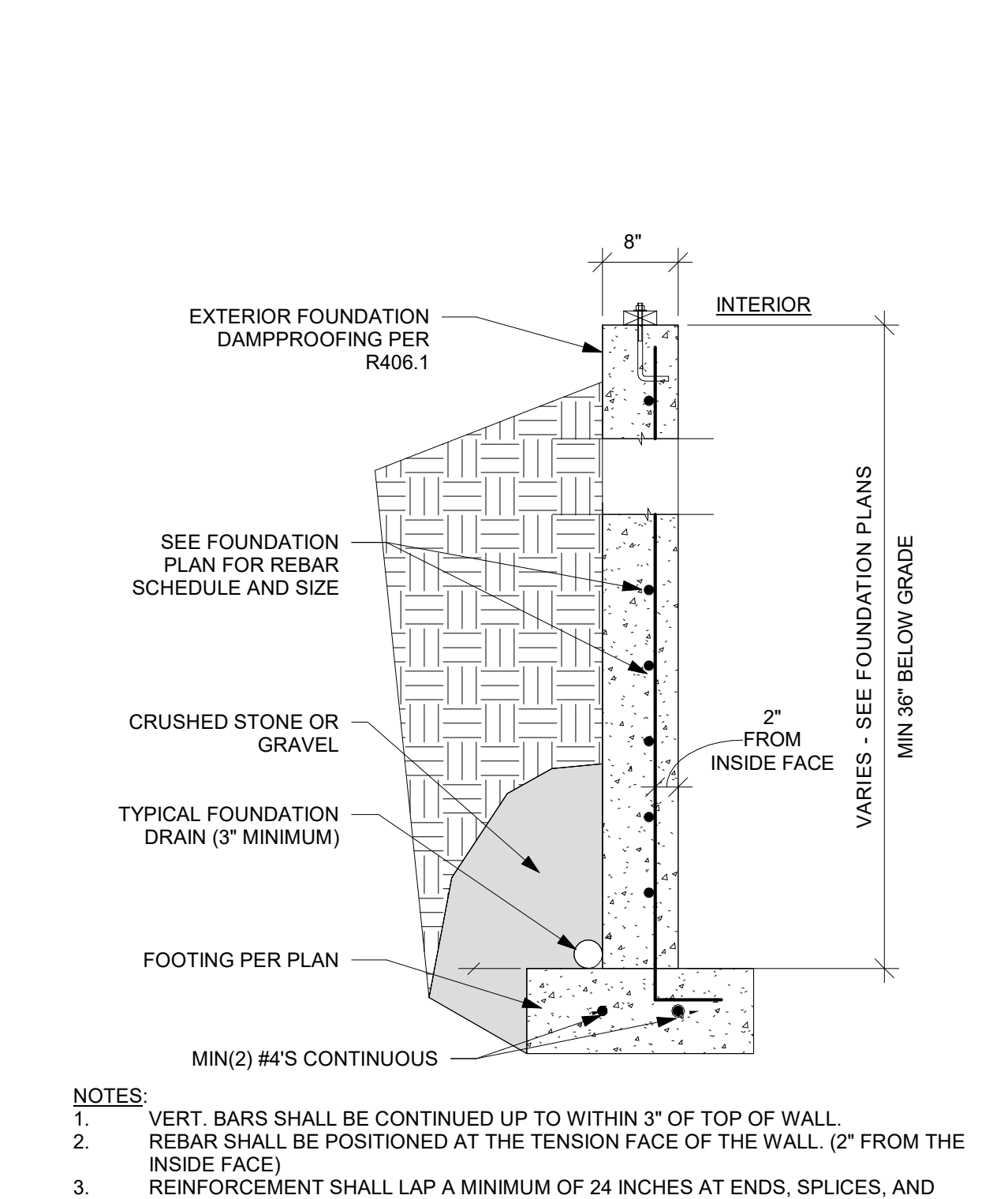
DATE 12/22/2023  
SCALE



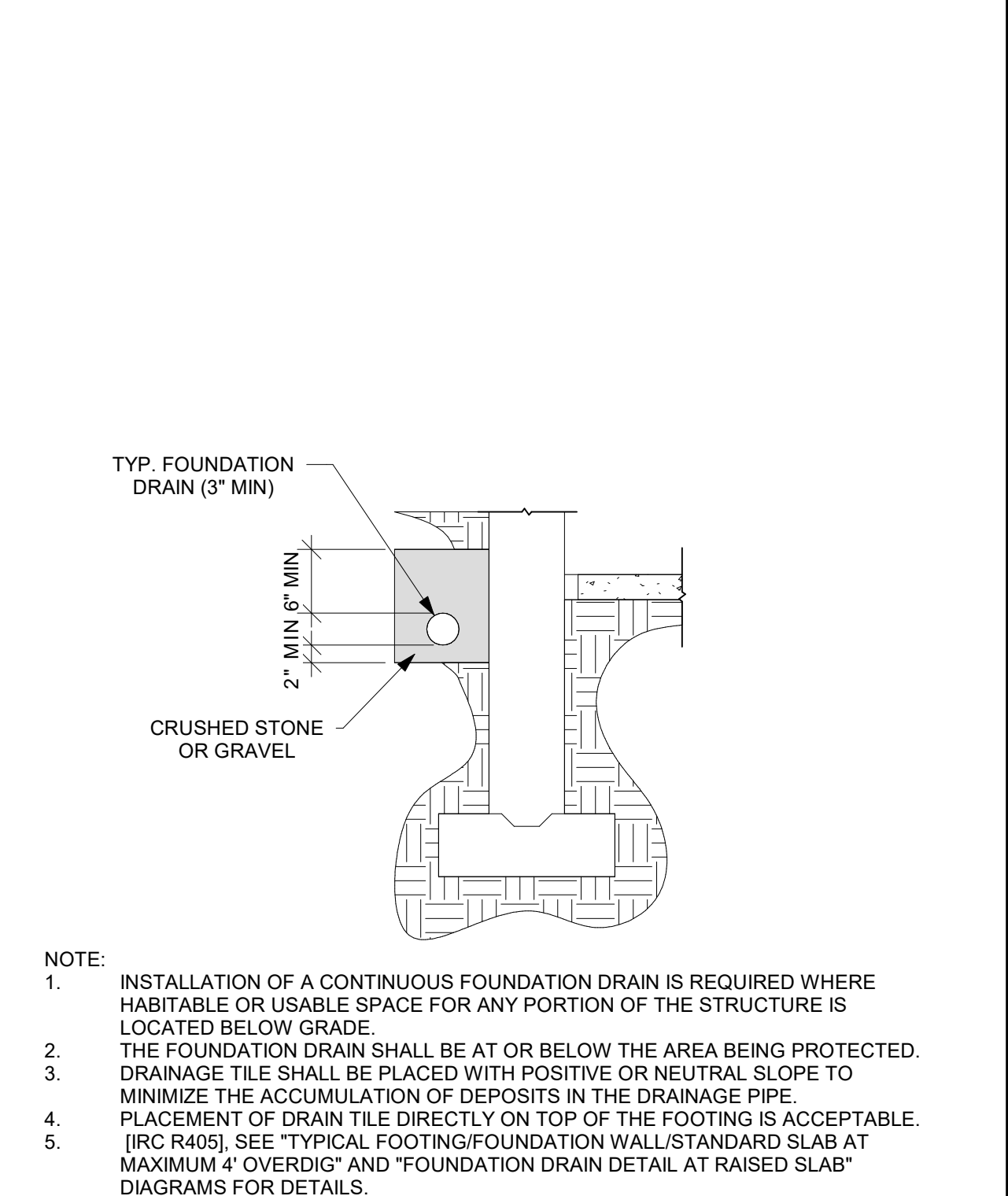
**1 TYPICAL "UNRESTRAINED" FOUNDATION WALL DETAIL NTS**



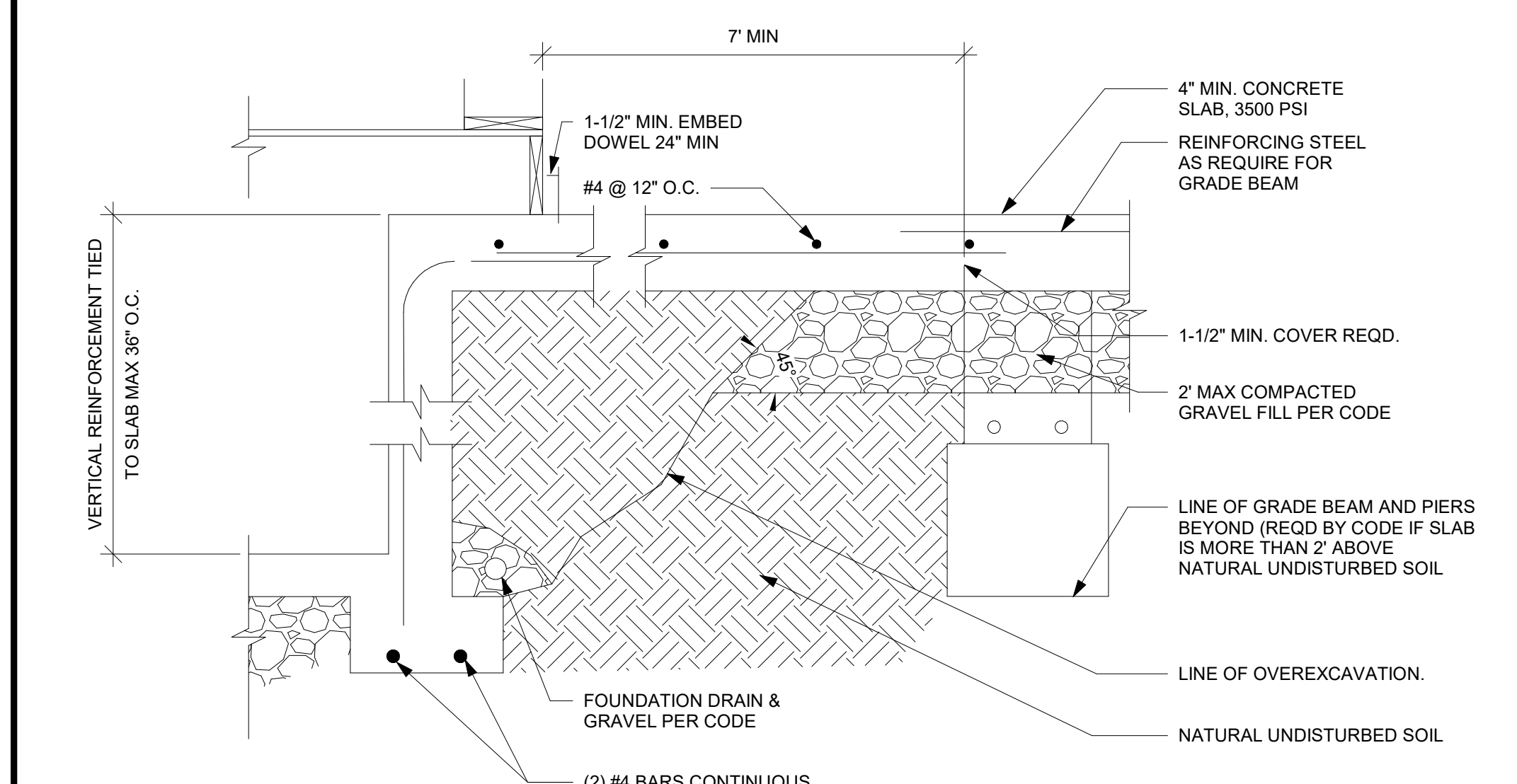
**2 TRENCH FOOTING WITH SLAB DETAIL NTS**



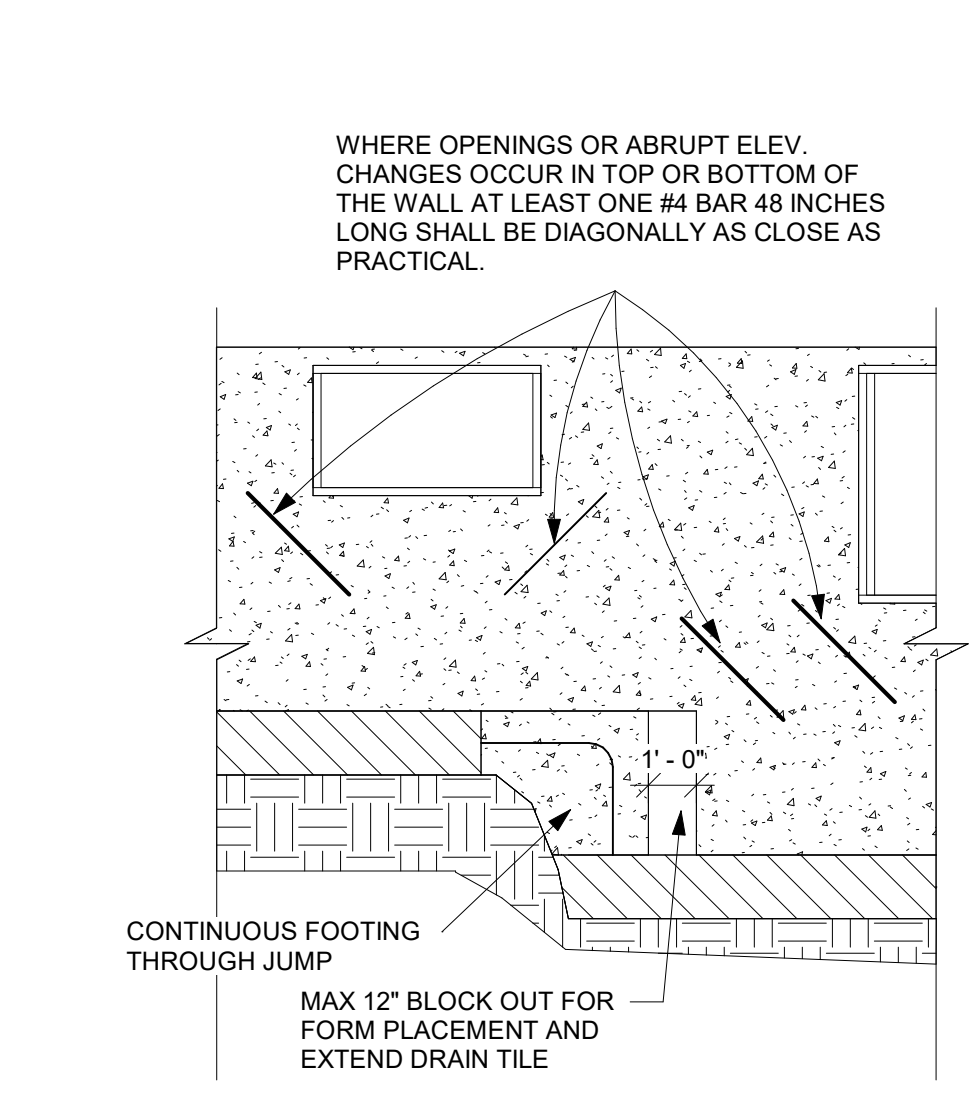
**3 TYPICAL WALL SECTION DETAIL NTS**



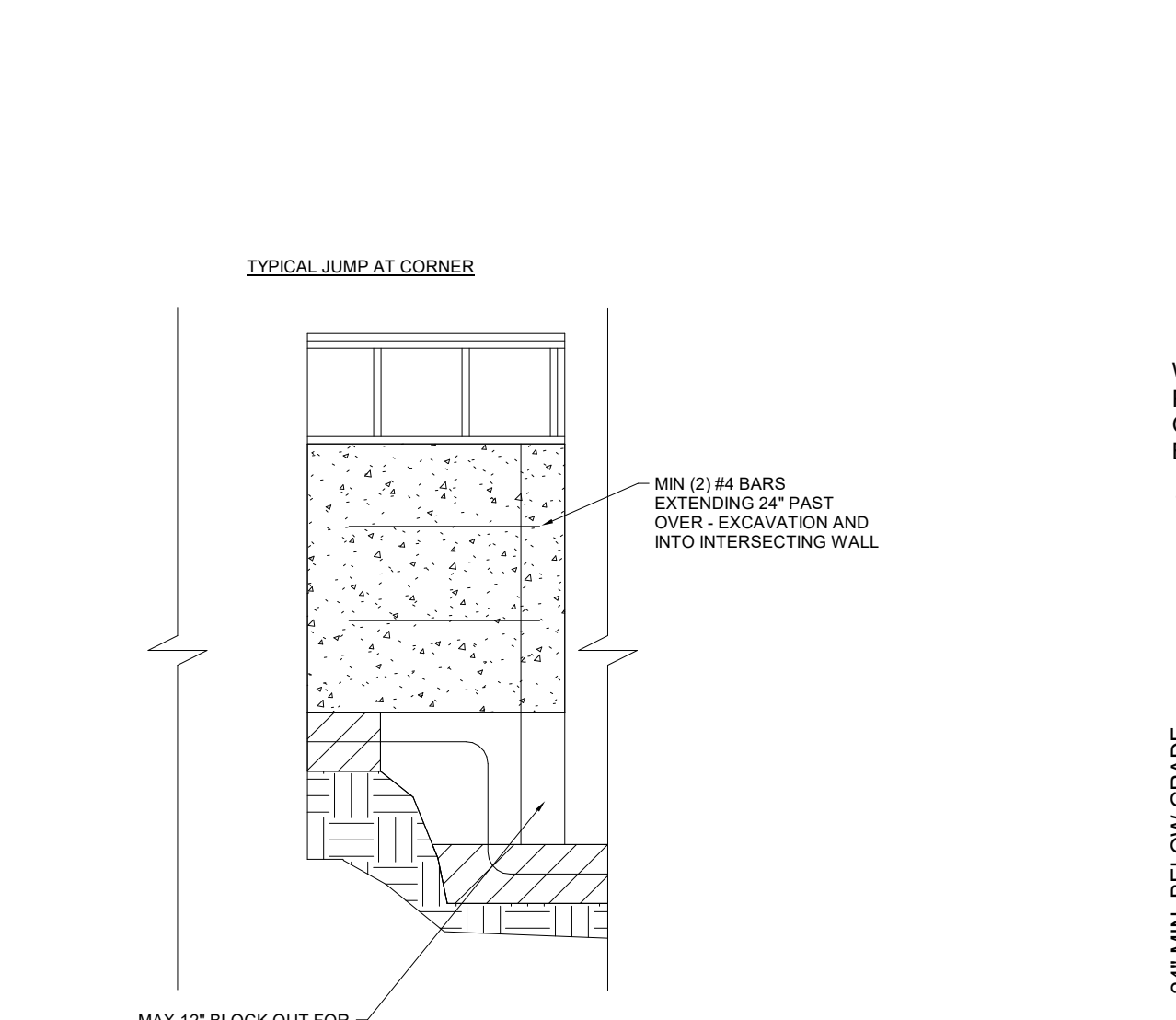
**4 FOUNDATION DRAIN AND RAISED SLAB DETAIL NTS**



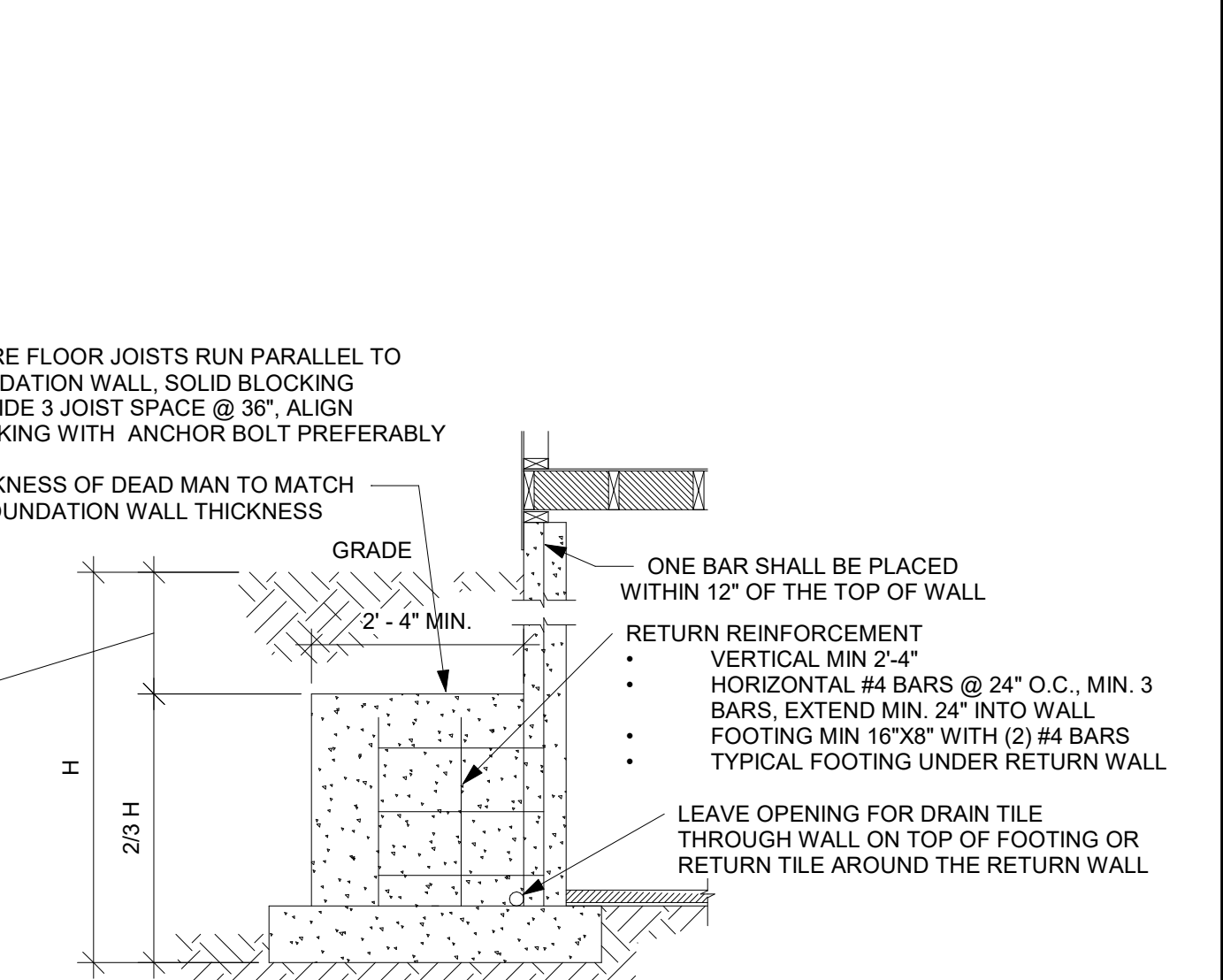
**5 TYPICAL FOOTING/FOUNDATION WALL/STANDARD SLAB AT MAX 4' OVERDIG NTS**



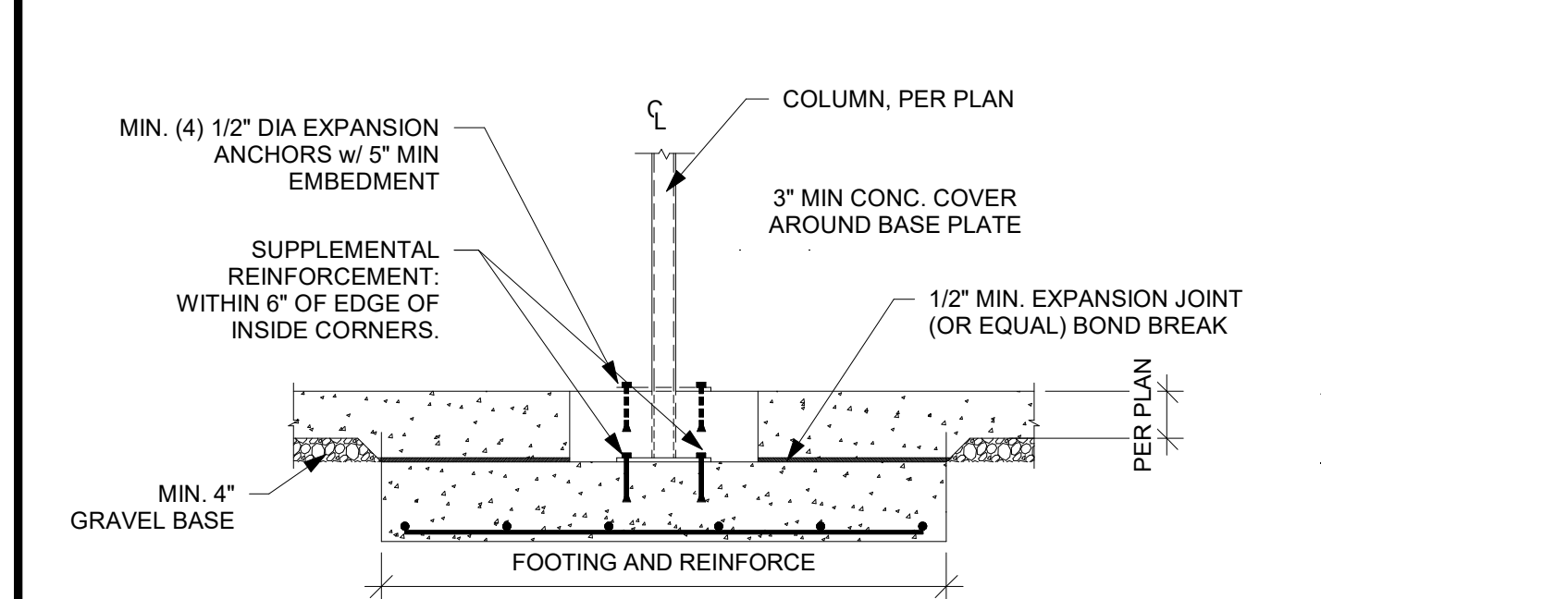
**6 FOUNDATION WALL JUMP DETAIL NTS**



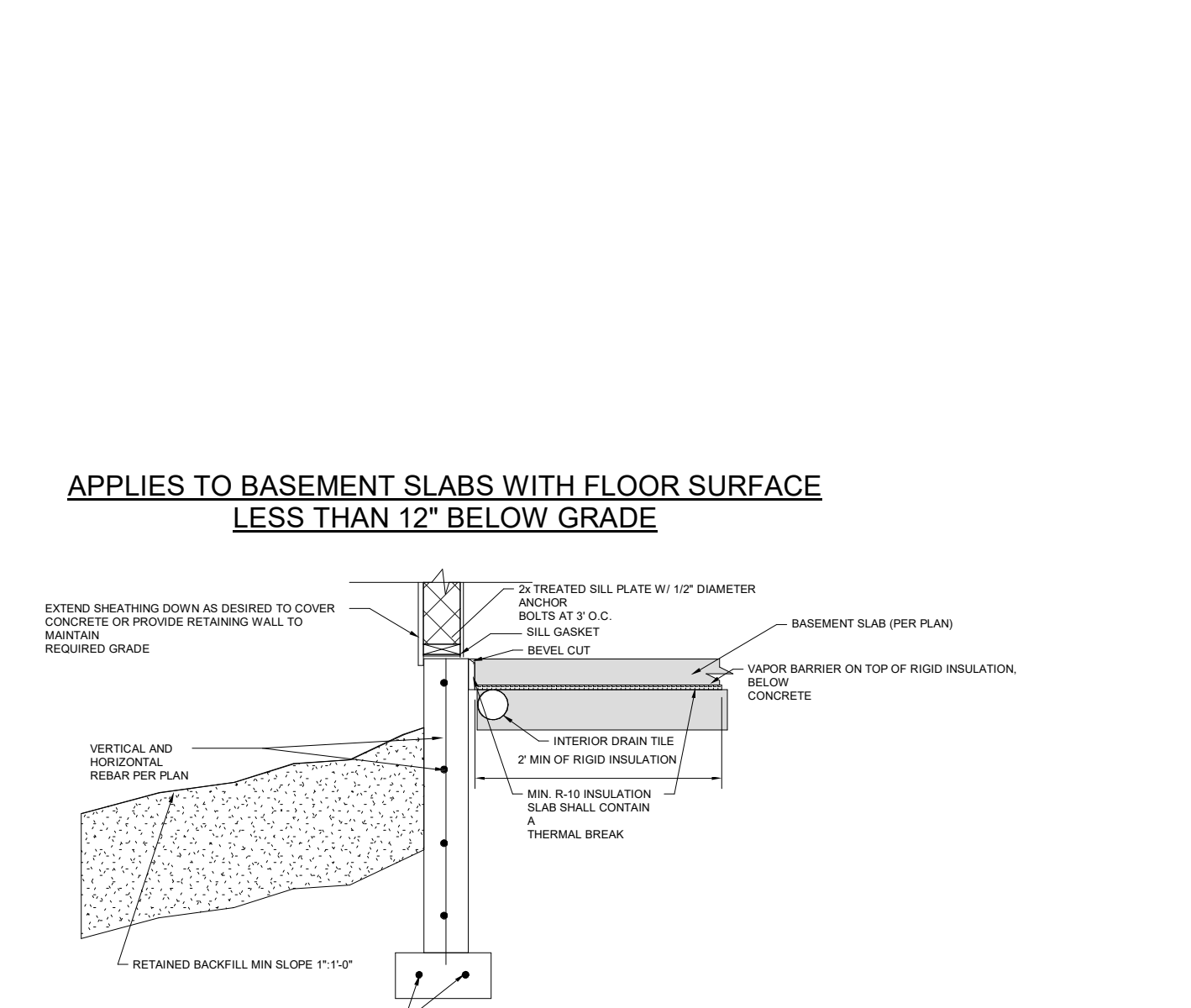
**7 FOUNDATION WALL JUMP DETAIL 2 NTS**



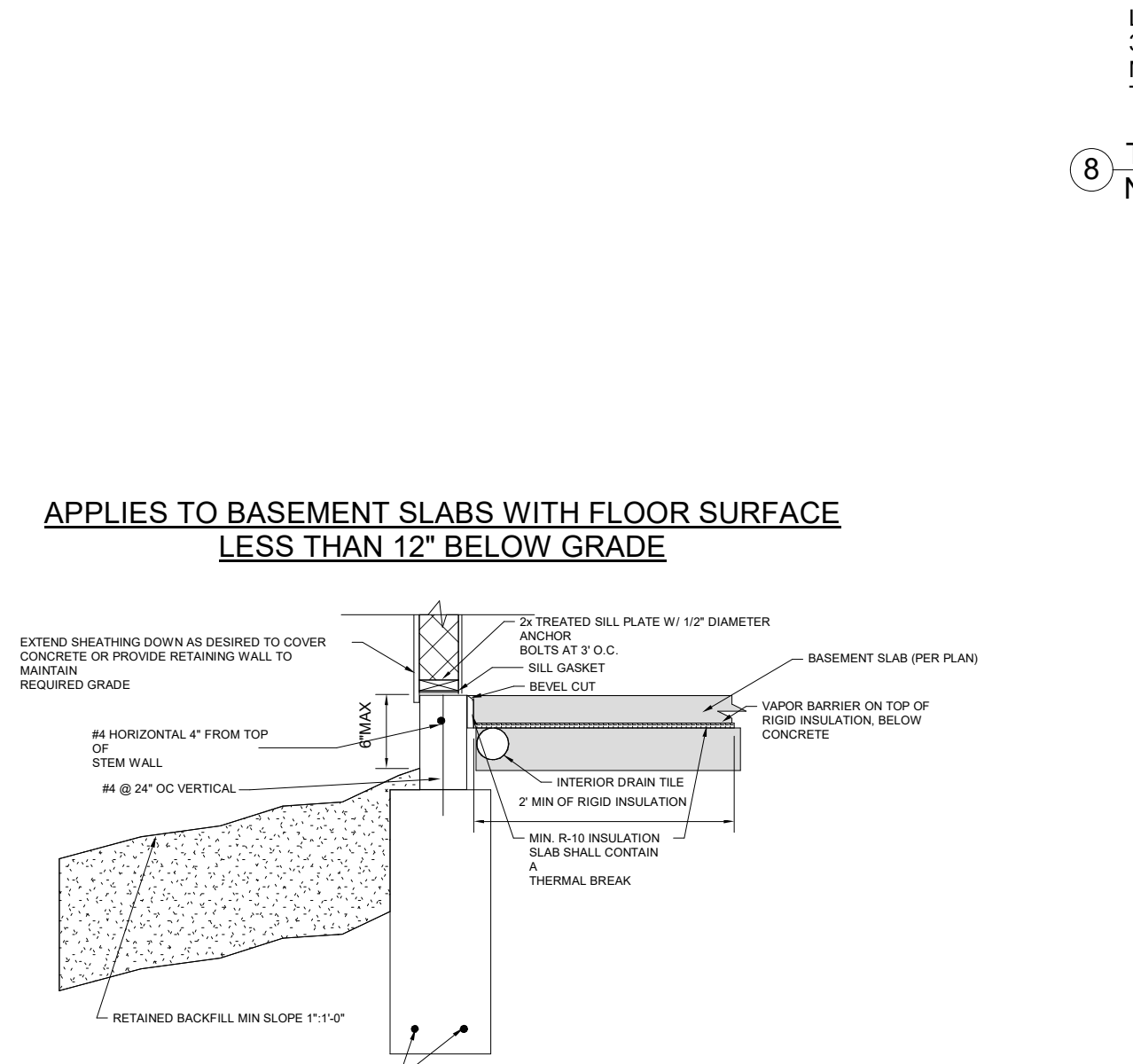
**8 TYPICAL DEAD MAN DETAIL NTS**



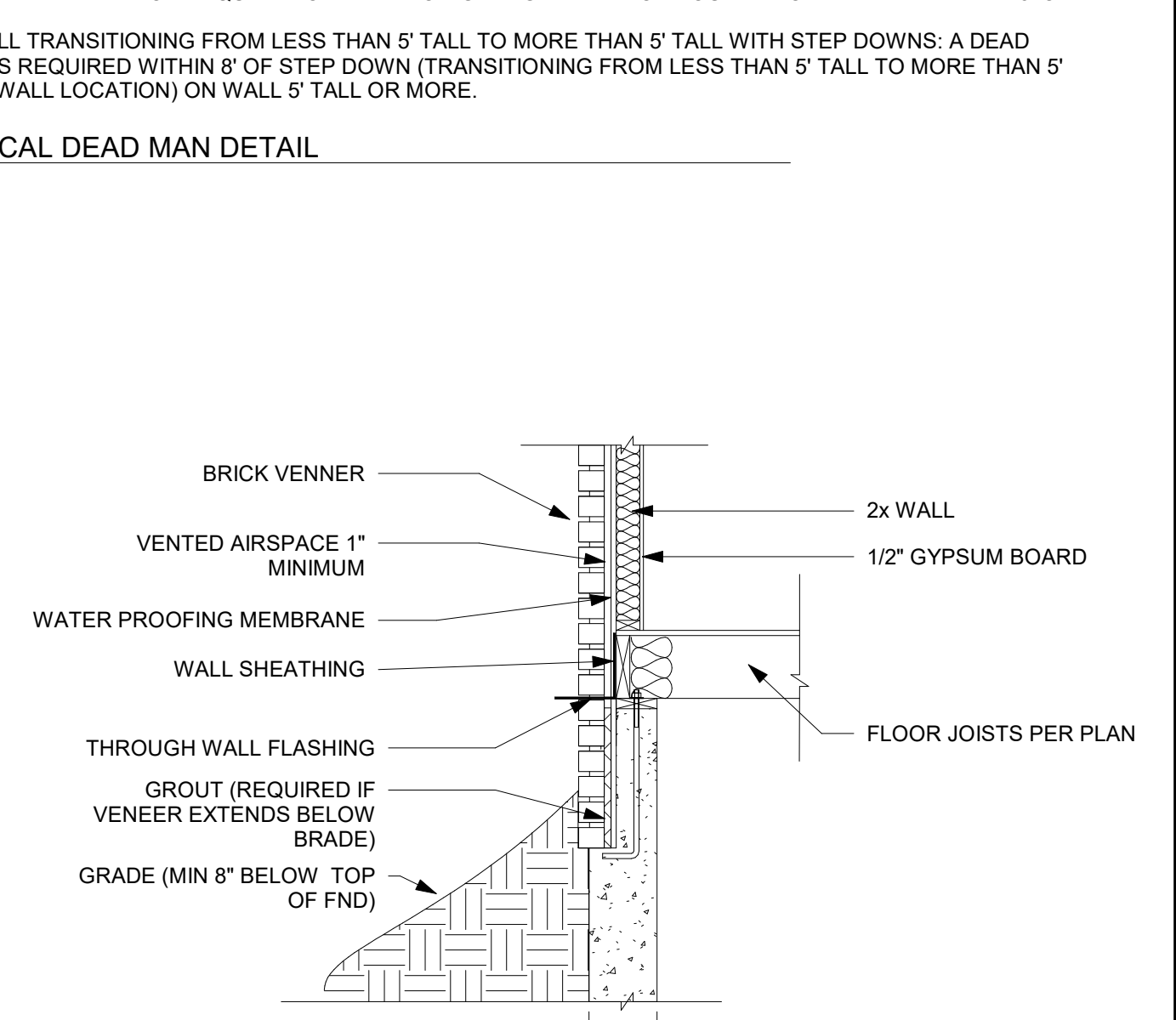
**9 TYPICAL ISOLATED COLUMN PAD DETAIL NTS**



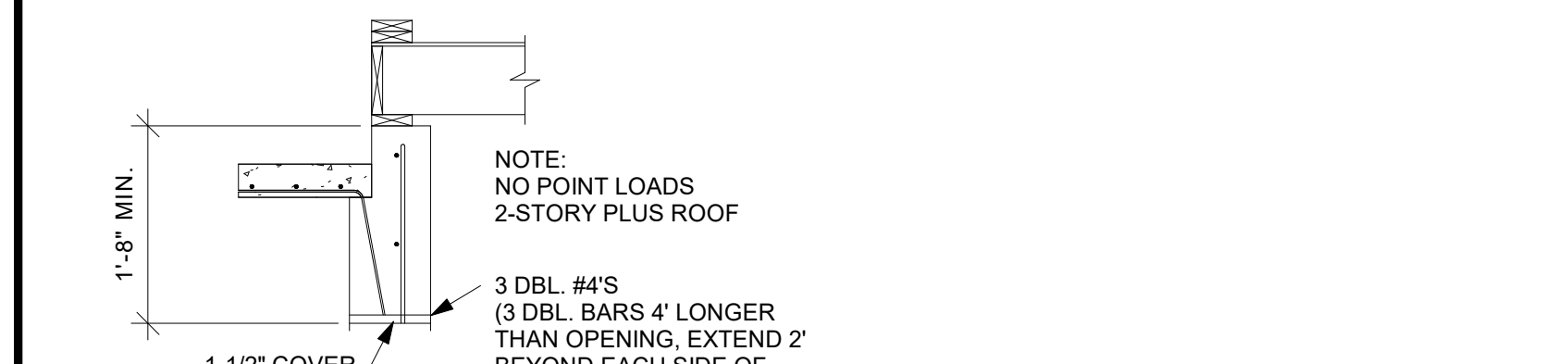
**11 SLAB INSULATION DETAIL FOR STEM WALL AND FOOTING NTS**



**12 SLAB INSULATION DETAIL FOR TRENCH FOOTING WITH STEM WALL NTS**



**13 BRICK VENEER DETAIL NTS**



**10 6\"/>**

AVITAL HOMES

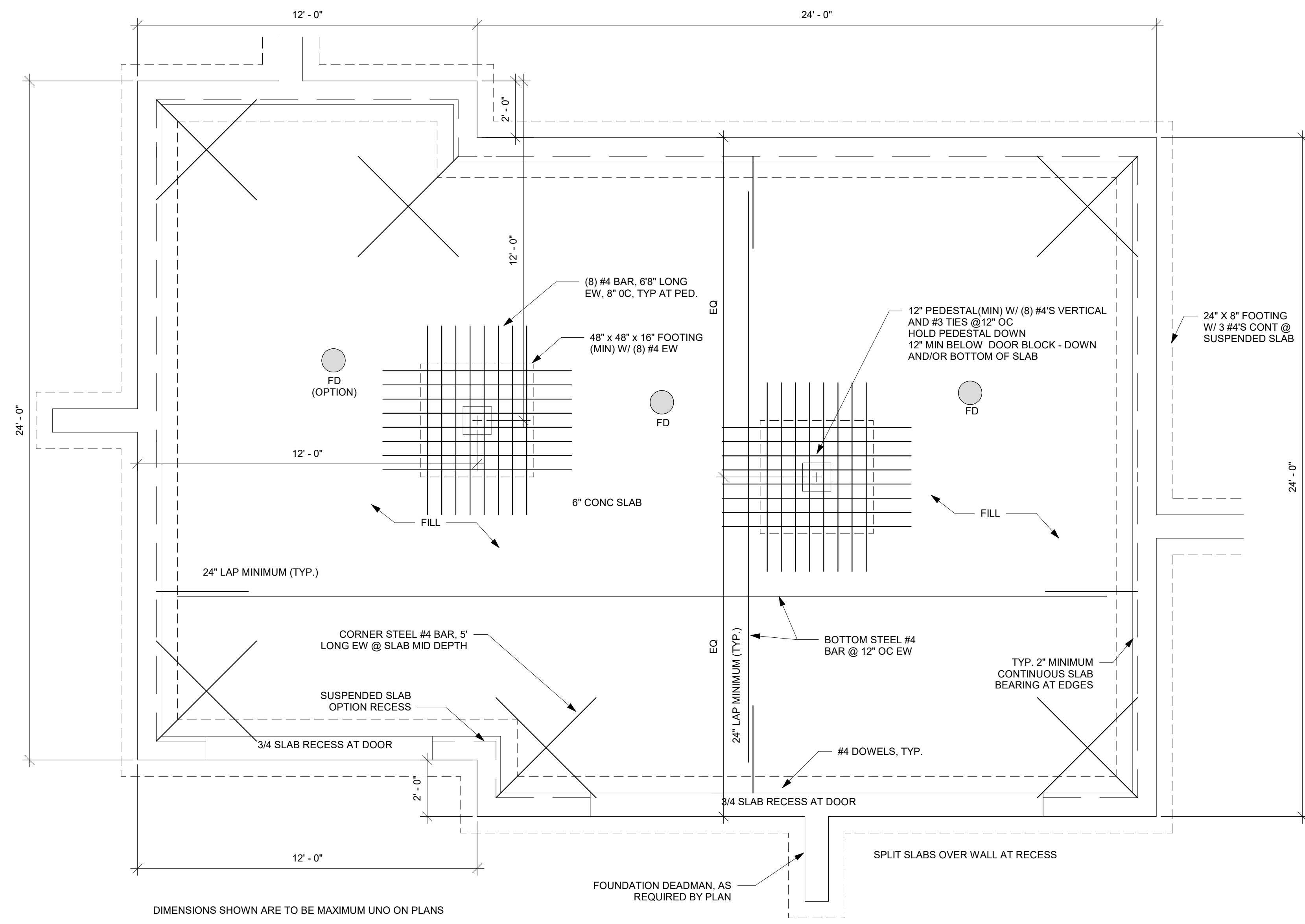
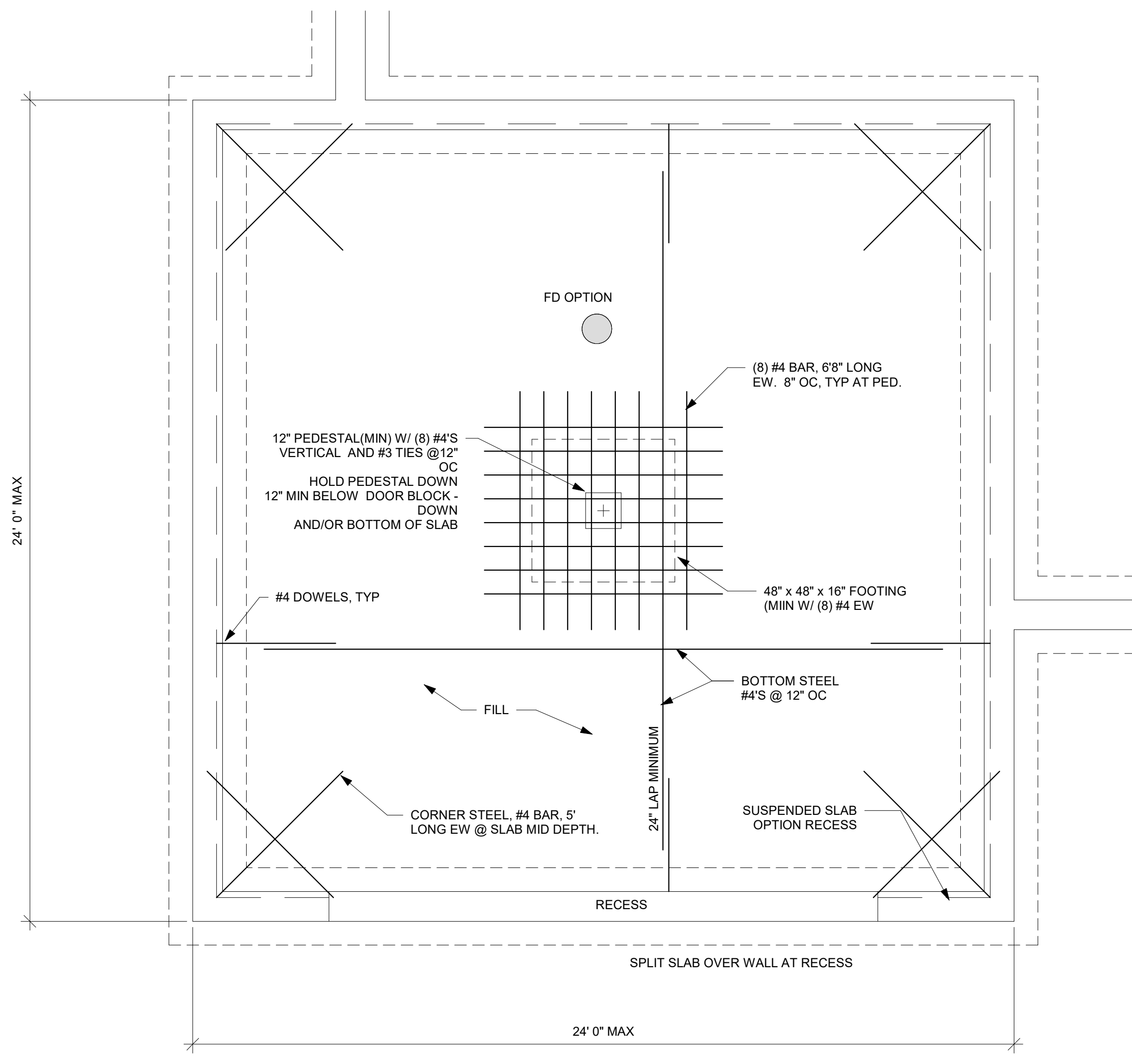
RESERVE AT STONEY CREEK #123 - AVALON CRAFTSMAN  
1921 SW HIGHTOWN DR LEE'S SUMMIT, MO 64082

NO.	REVISIONS

GARAGE/SLAB DETAILS

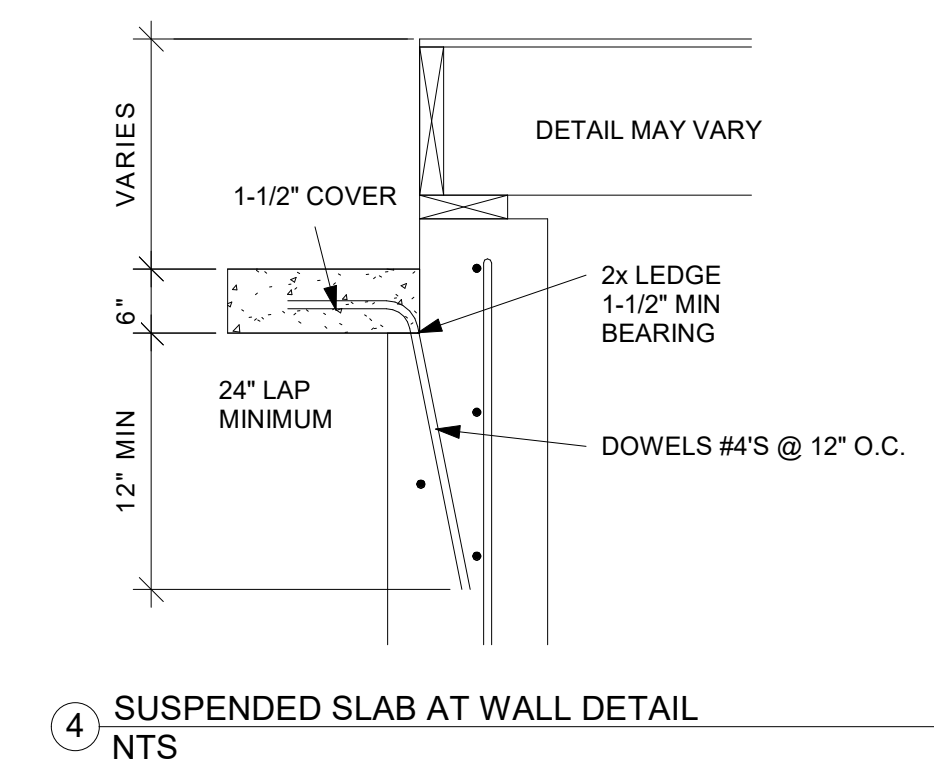
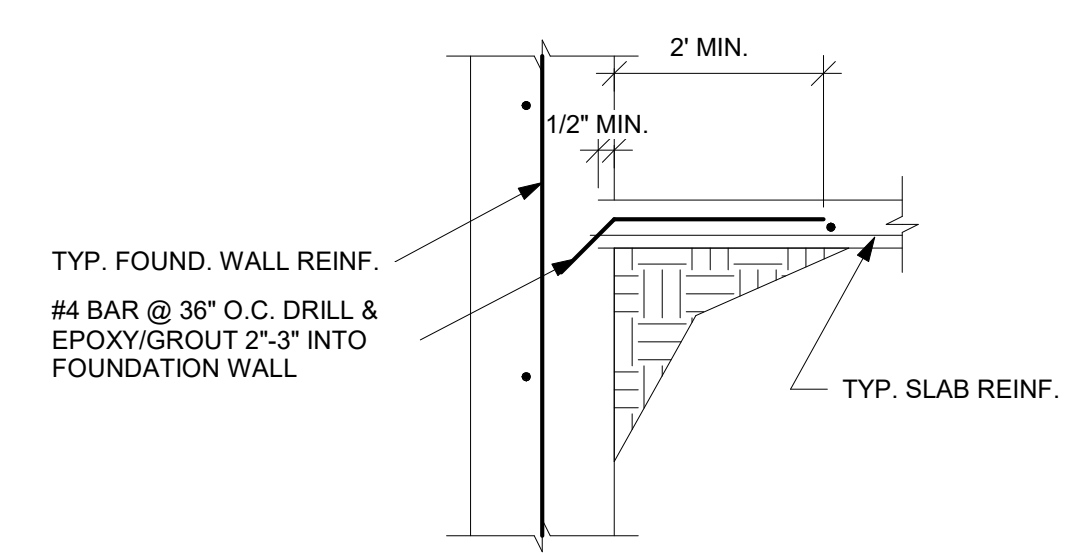
S503

DATE 12/22/2023  
SCALE



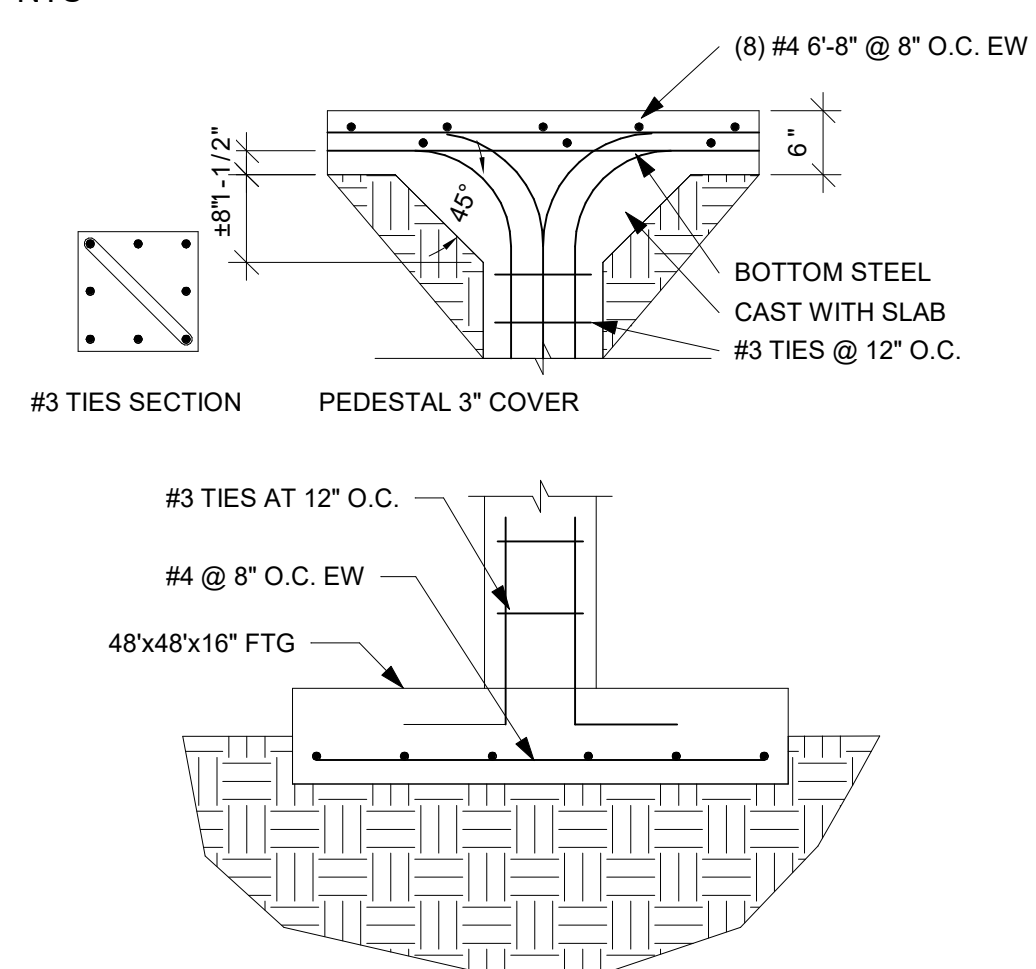
1 2 CAR GARAGE SLAB ON FILL DETAIL  
NTS

2 3 CAR GARAGE SLAB ON FILL DETAIL 2  
NTS

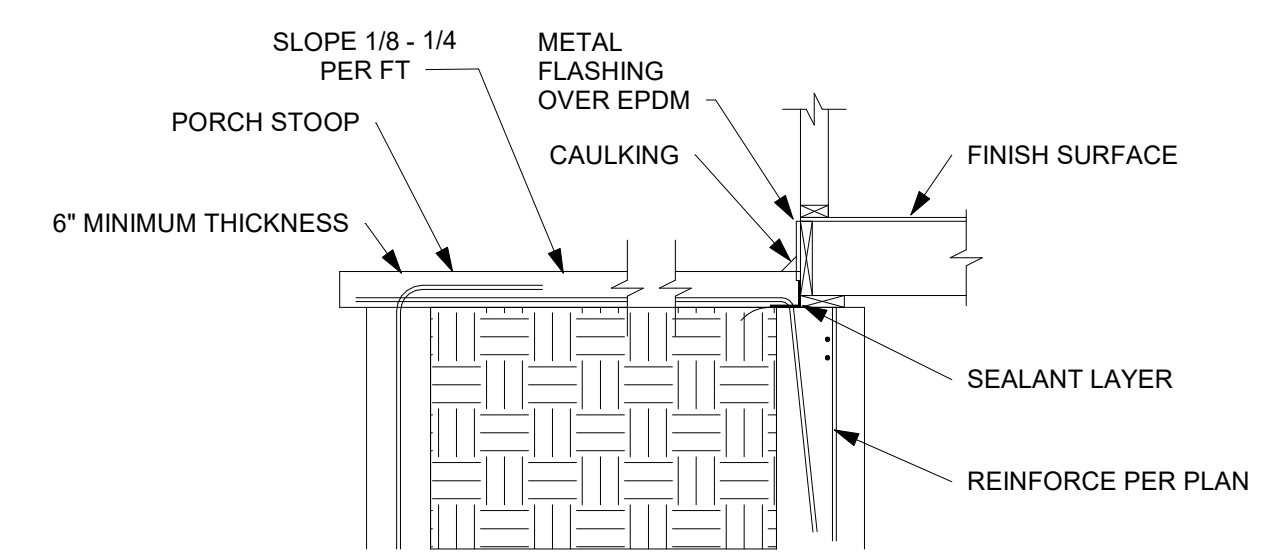


3 SLAB CONNECTION DETAIL  
NTS

4 SUSPENDED SLAB AT WALL DETAIL  
NTS



5 PEDESTAL AT SLAB AND FOOTING  
DETAIL  
NTS



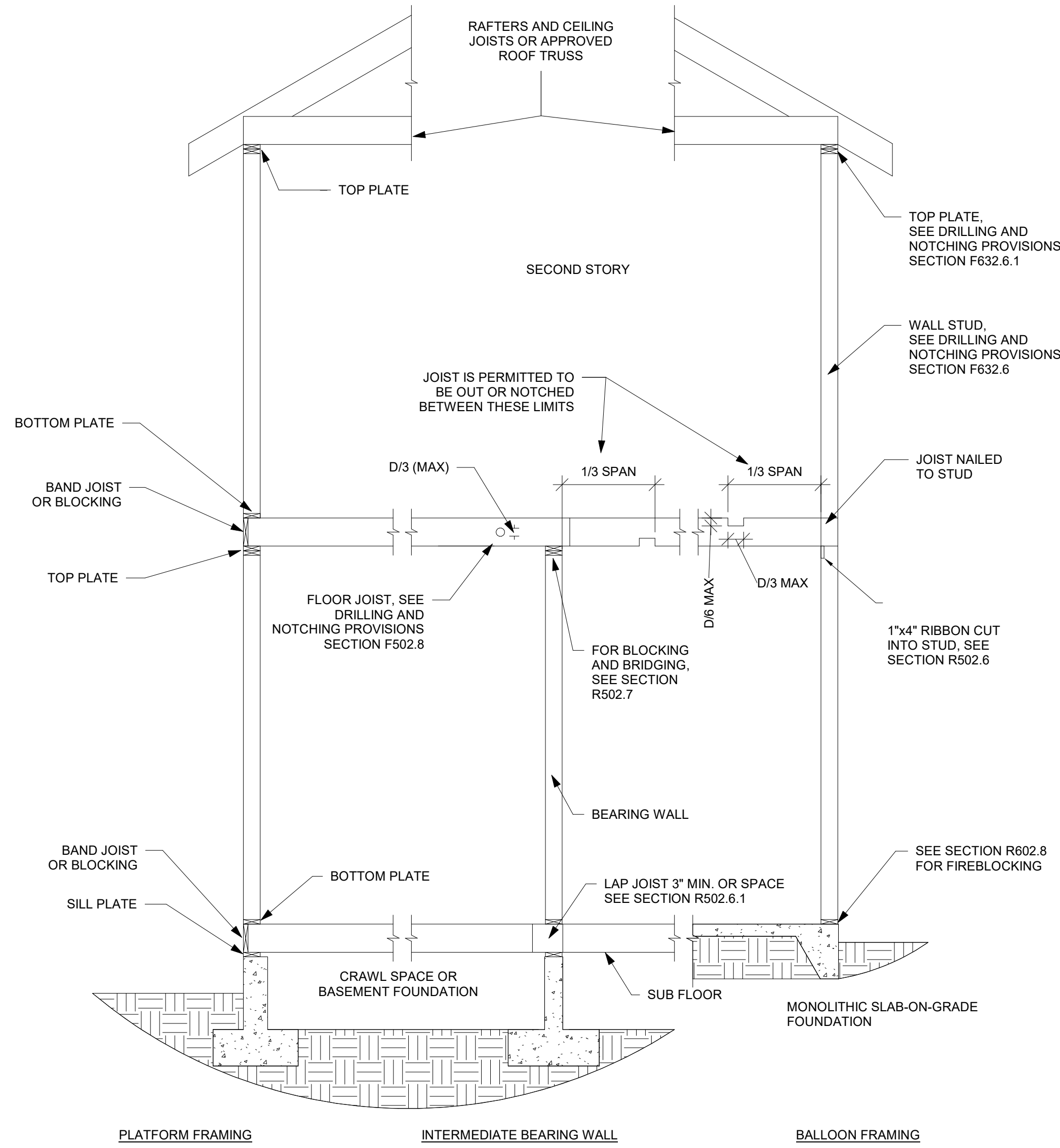
ELEVATED PORCH SLABS SPANNING 6' OR LESS IN ANY ONE DIRECTION CAN BE CONSTRUCTED AS FOLLOWS:

- MAX SPAN OF 6'
- MINIMUM THICKNESS OF 6"
- #4 BARS AT 12" O.C. EACH WAY
- MINIMUM 1-1/2" OF CONTINUOUS BEARING AT THE EDGES FO THE SLAB.

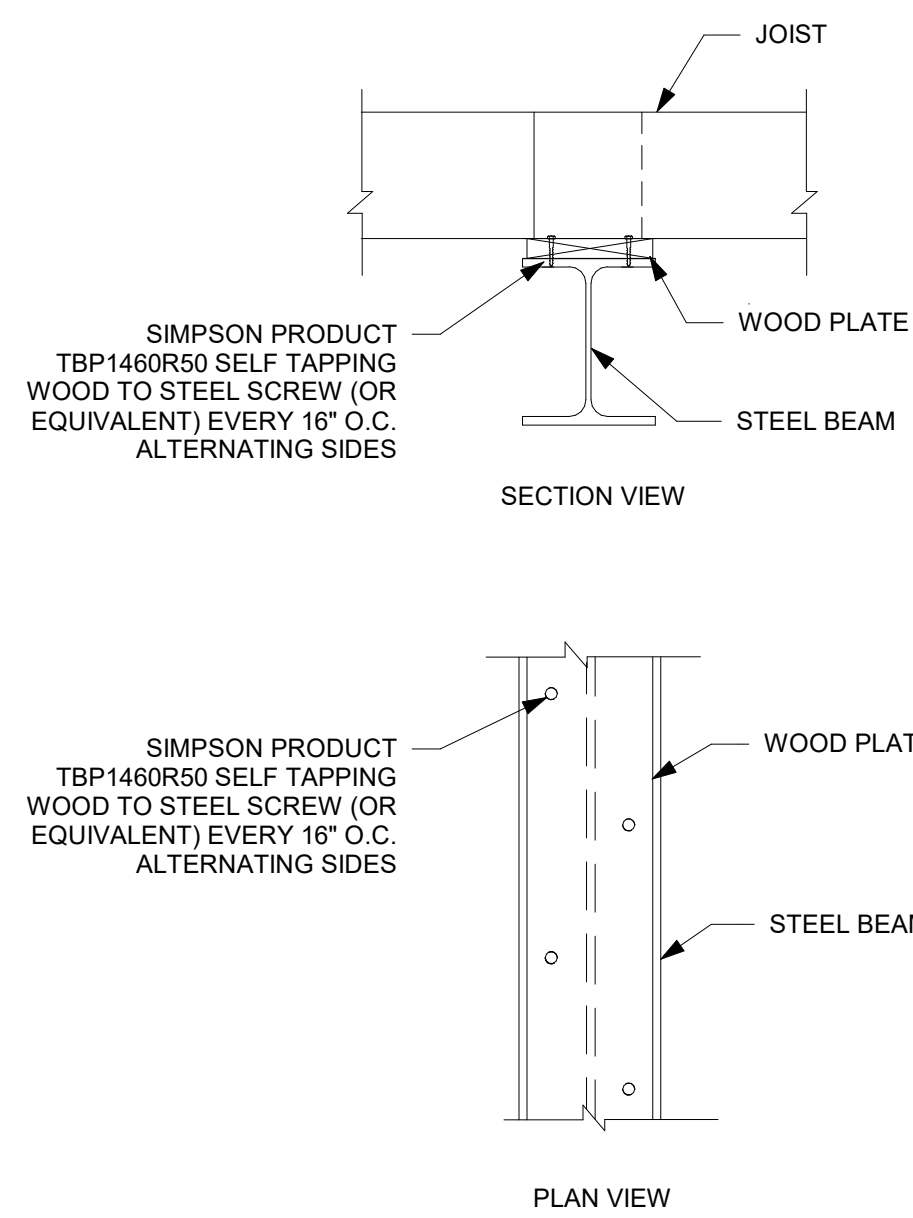
ELEVATED PORCH SLAB SPANNING GREATER THAN 6' SHALL BE TREATED AS AN ELEVATED GARAGE SLAB.

6 STANDARD PORCH SLAB DETAIL  
NTS

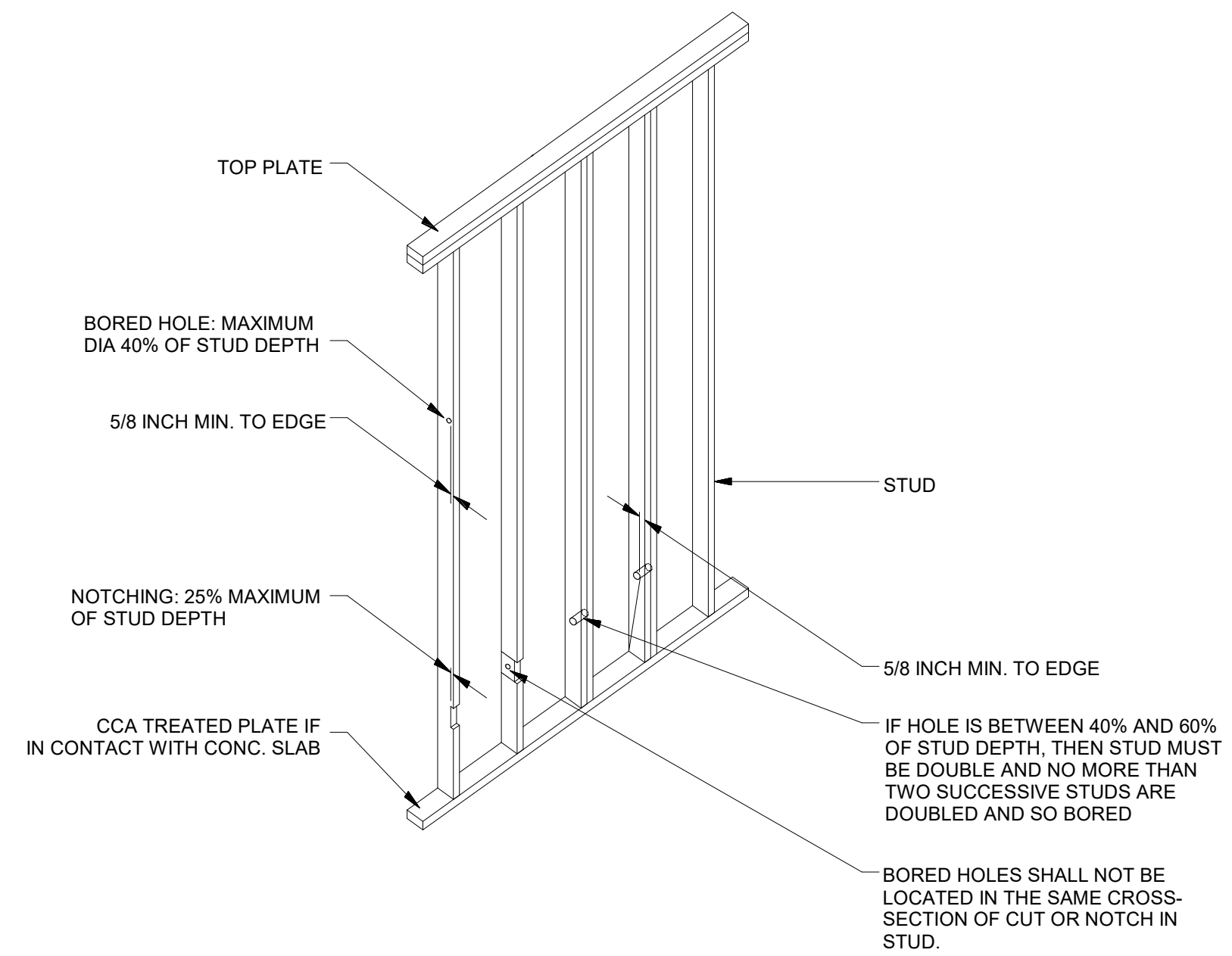
THE FOLLOWING DETAILS MEET OR EXCEED KCMO CPD-DS AND JOHNSON COUNTY STANDARDS



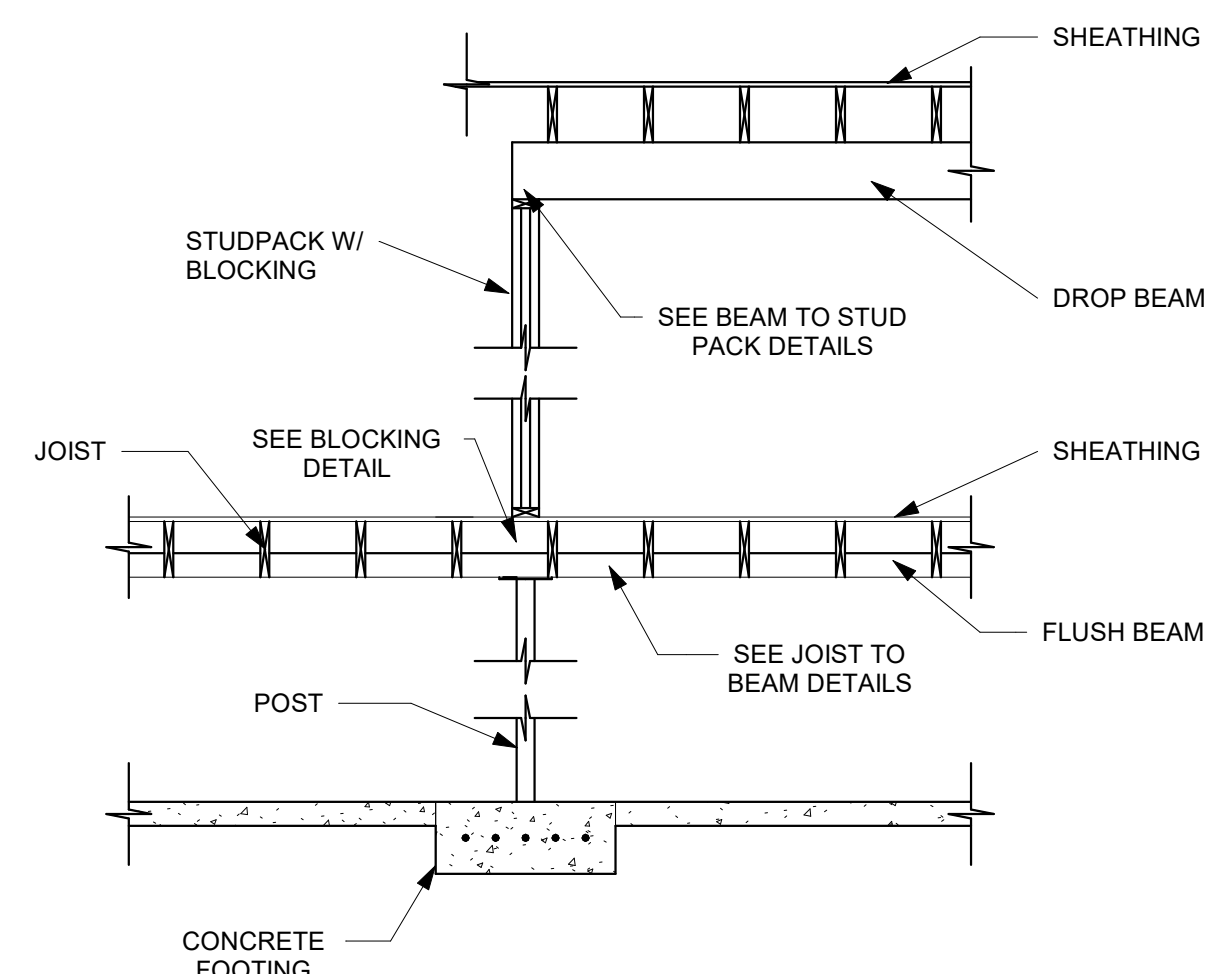
1 TYPICAL WALL, FLOOR, AND ROOF FRAMING DETAIL NTS



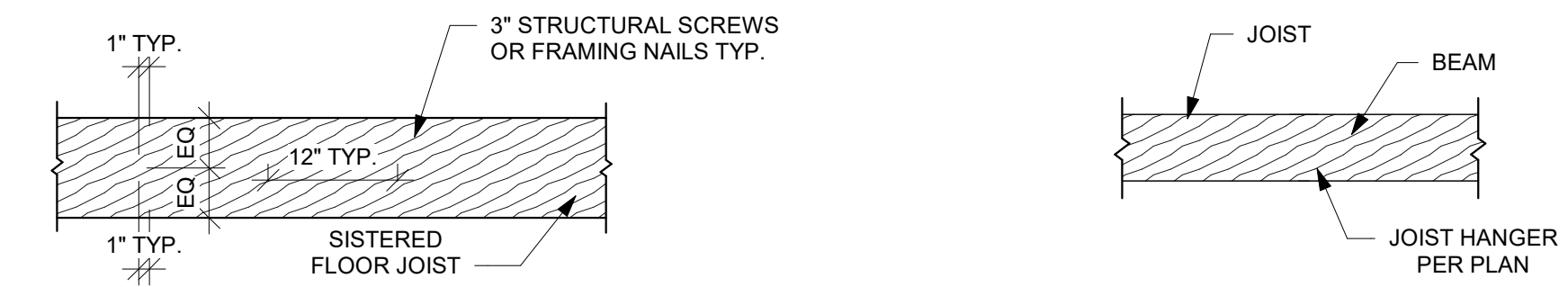
2 WOOD PLATE TO STEEL BEAM CONNECTION DETAIL NTS



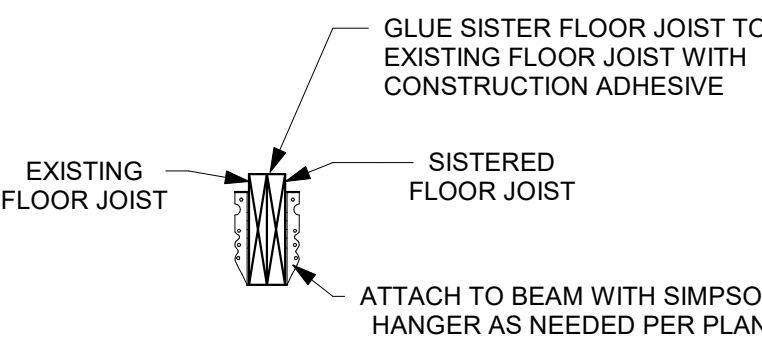
3 TYPICAL WALL NOTCHING DETAIL NTS



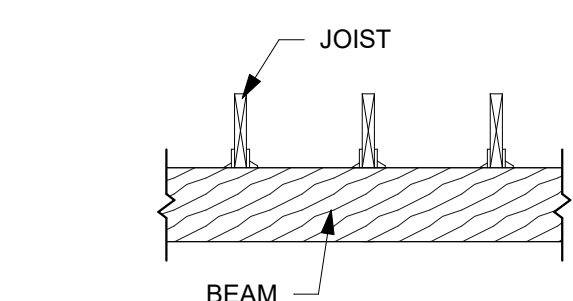
4 POST TO BEAM DETAIL NTS



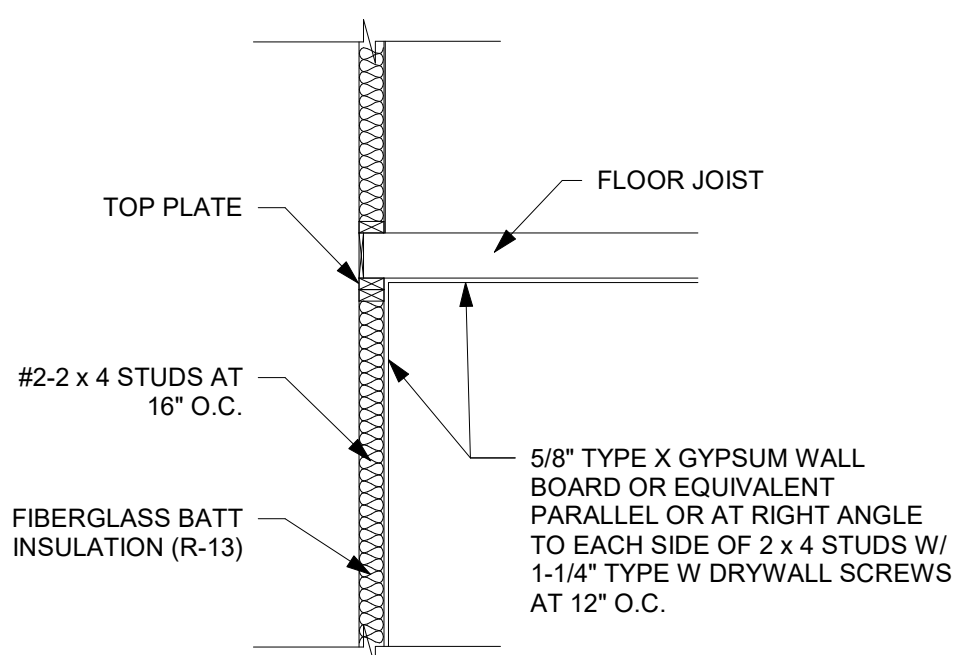
6 UPSET BEAM DETAIL NTS



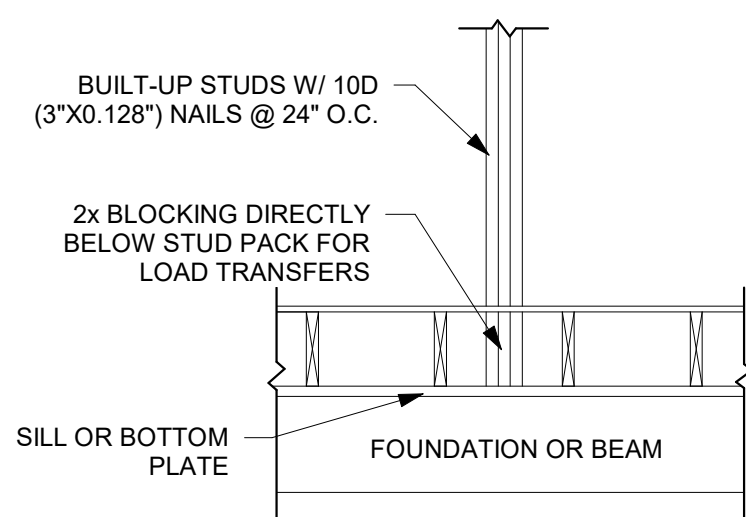
5 SISTERED FLOOR JOISTS DETAIL NTS



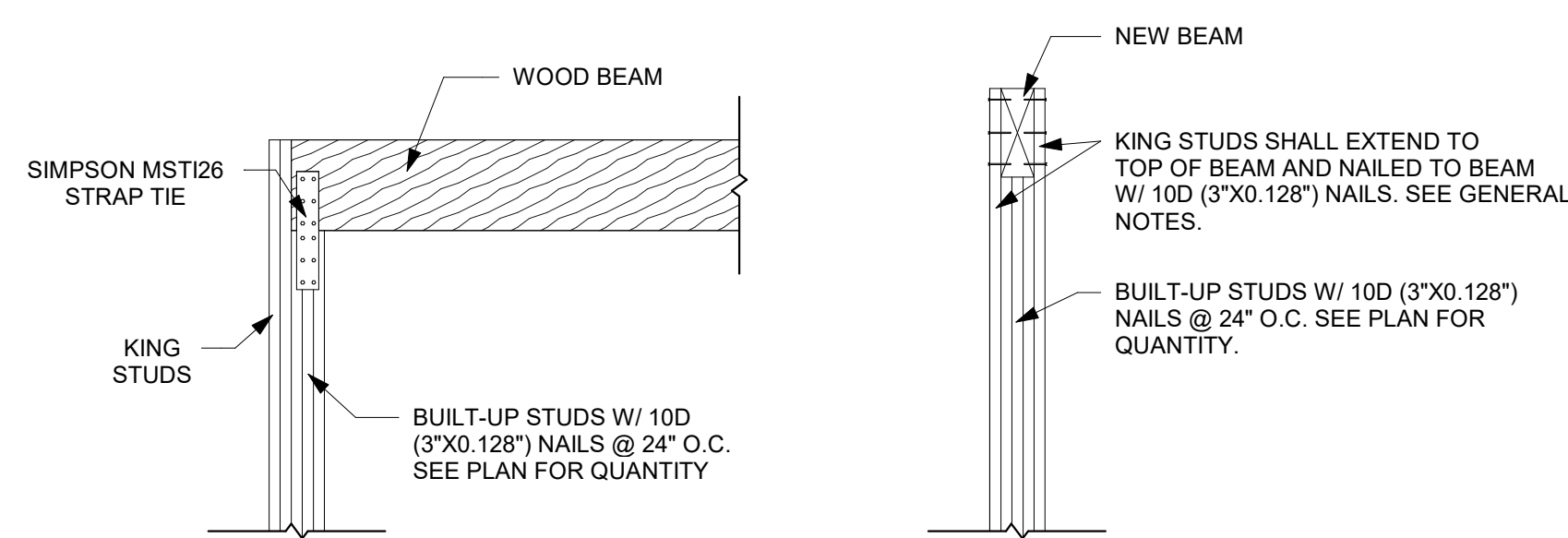
7 DROPPED BEAM DETAIL NTS



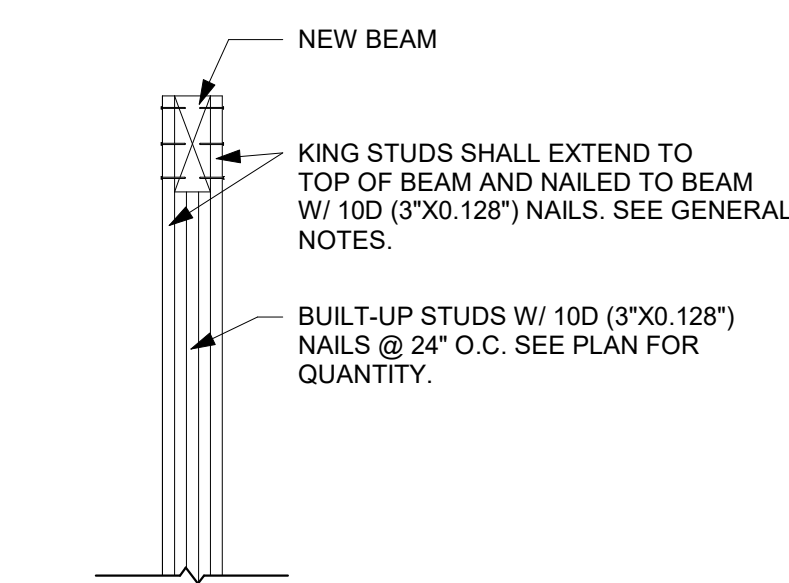
8 GARAGE FIRE SEPERATION DETAIL NTS



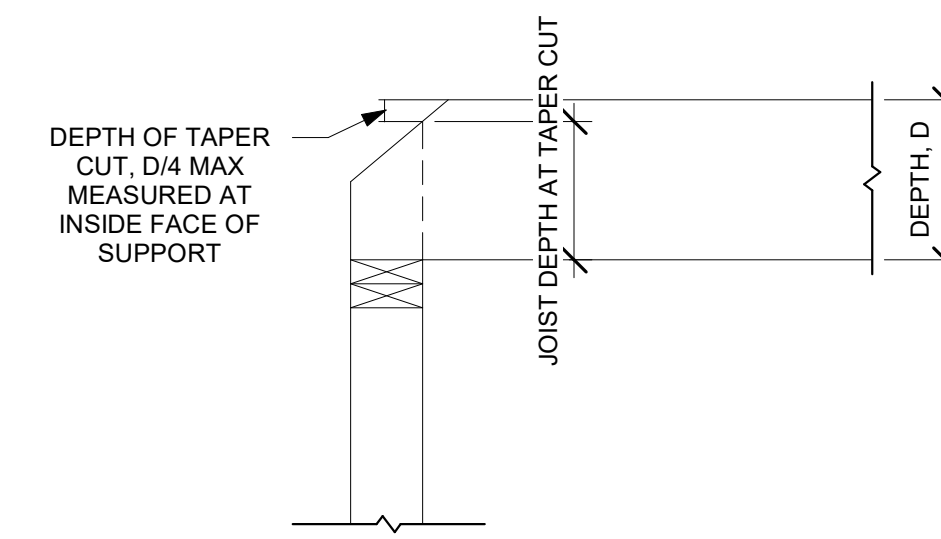
9 BLOCKING DETAIL NTS



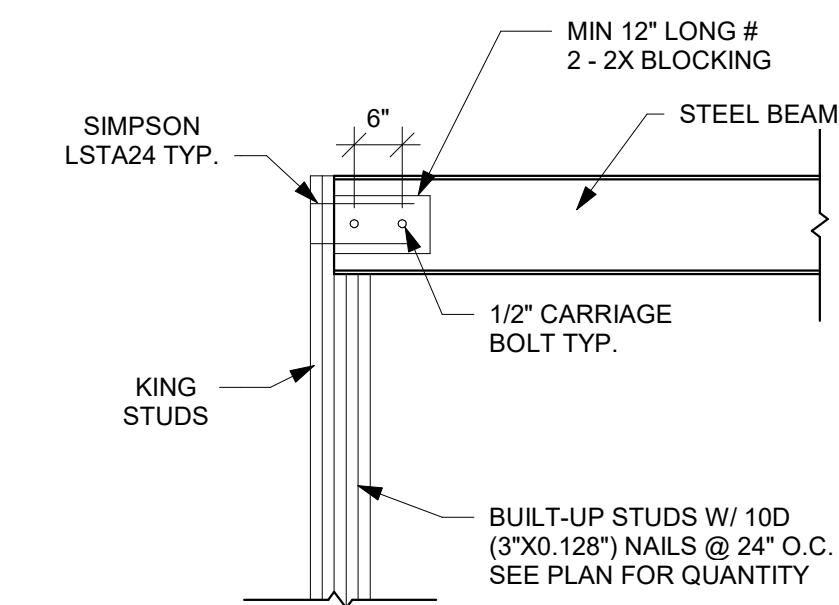
10 BEAM TO STUD PACK PARALLEL TO WALL DETAIL NTS



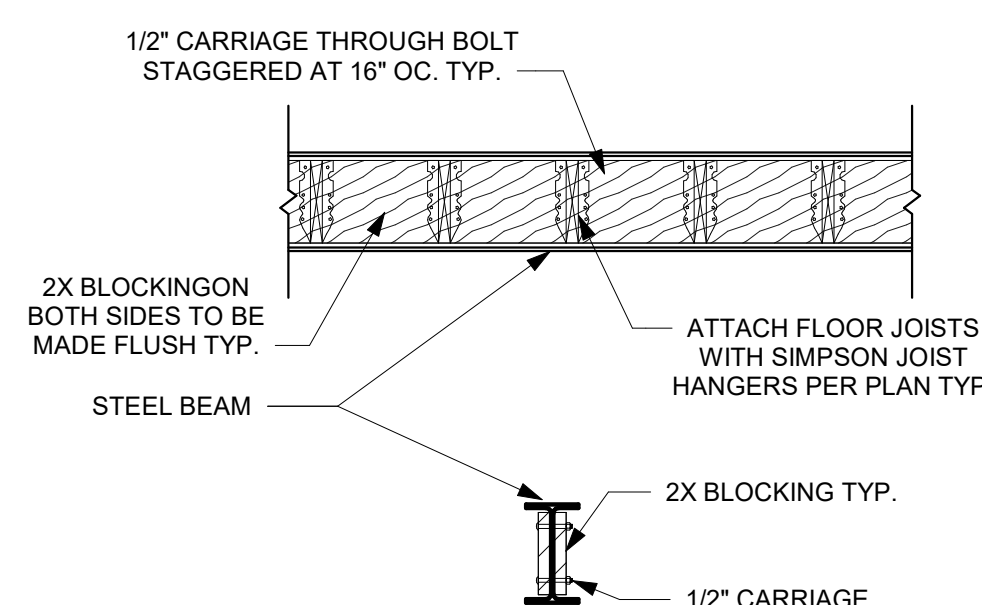
11 BEAM TO STUD PACK PERPENDICULAR TO WALL DETAIL NTS



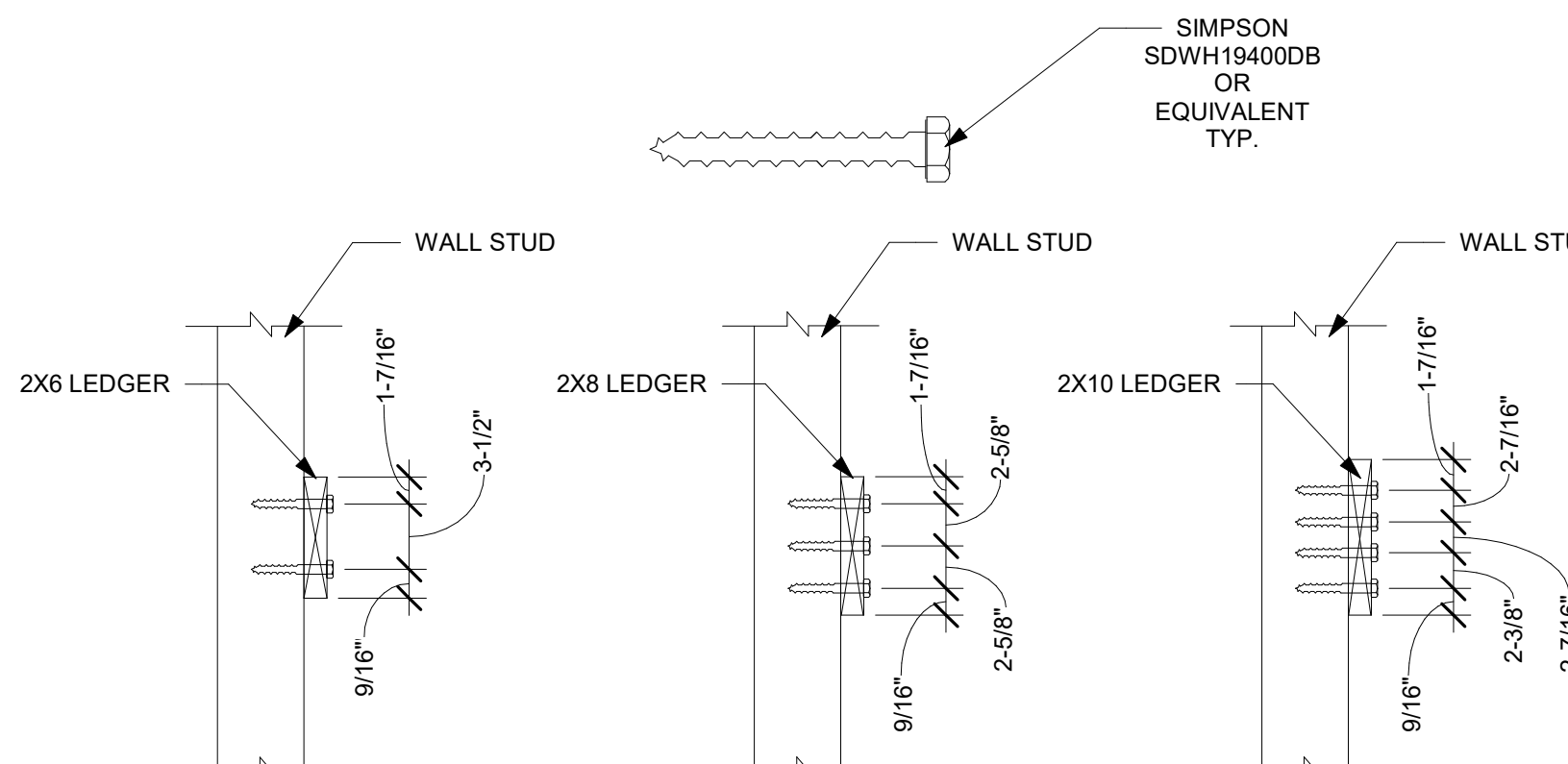
16 CEILING JOIST TAPER CUT NTS



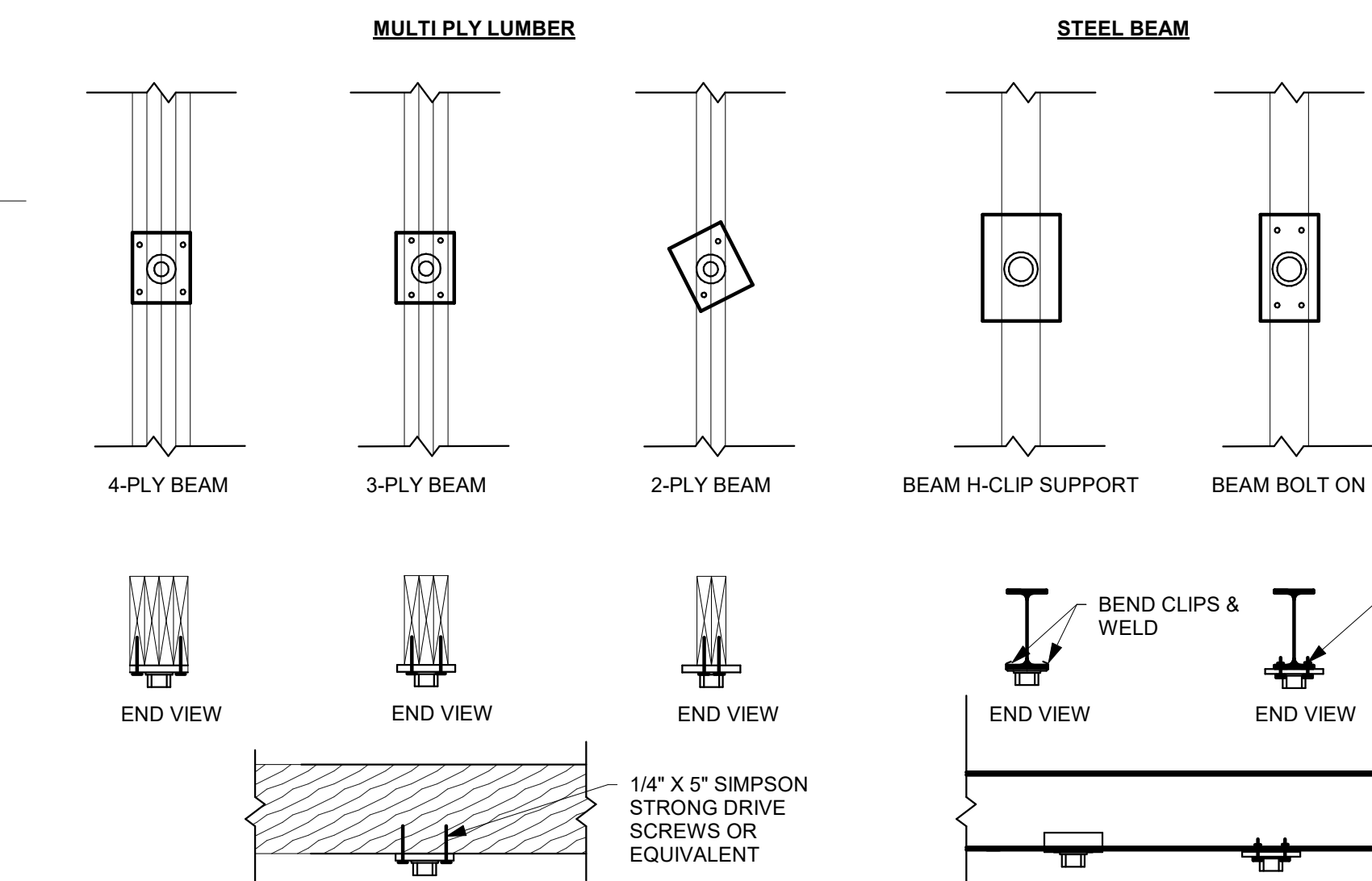
12 STEEL BEAM TO STUD PACK DETAIL NTS



13 FLOOR JOIST TO STEEL BEAM DETAIL NTS



14 WALL LEDGER DETAIL NTS

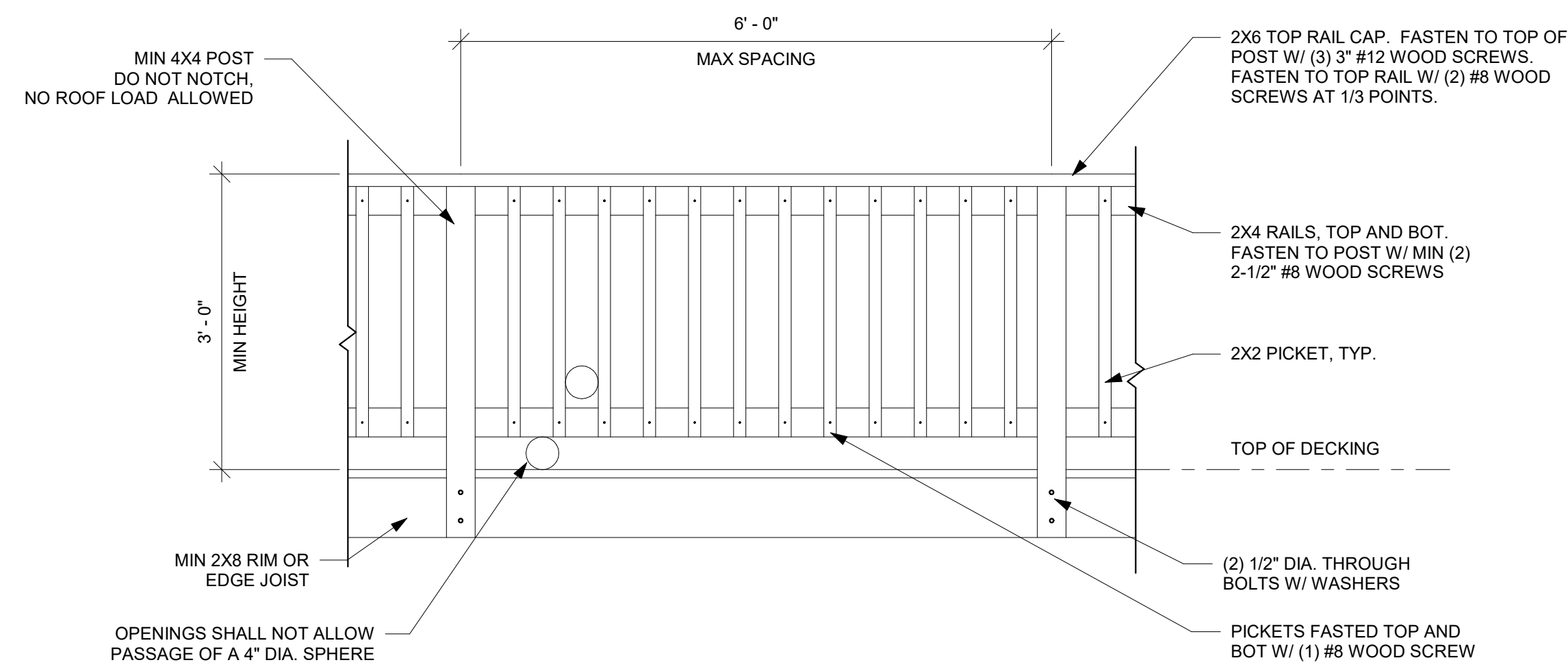


15 POST/BEAM CONNECTION DETAIL NTS

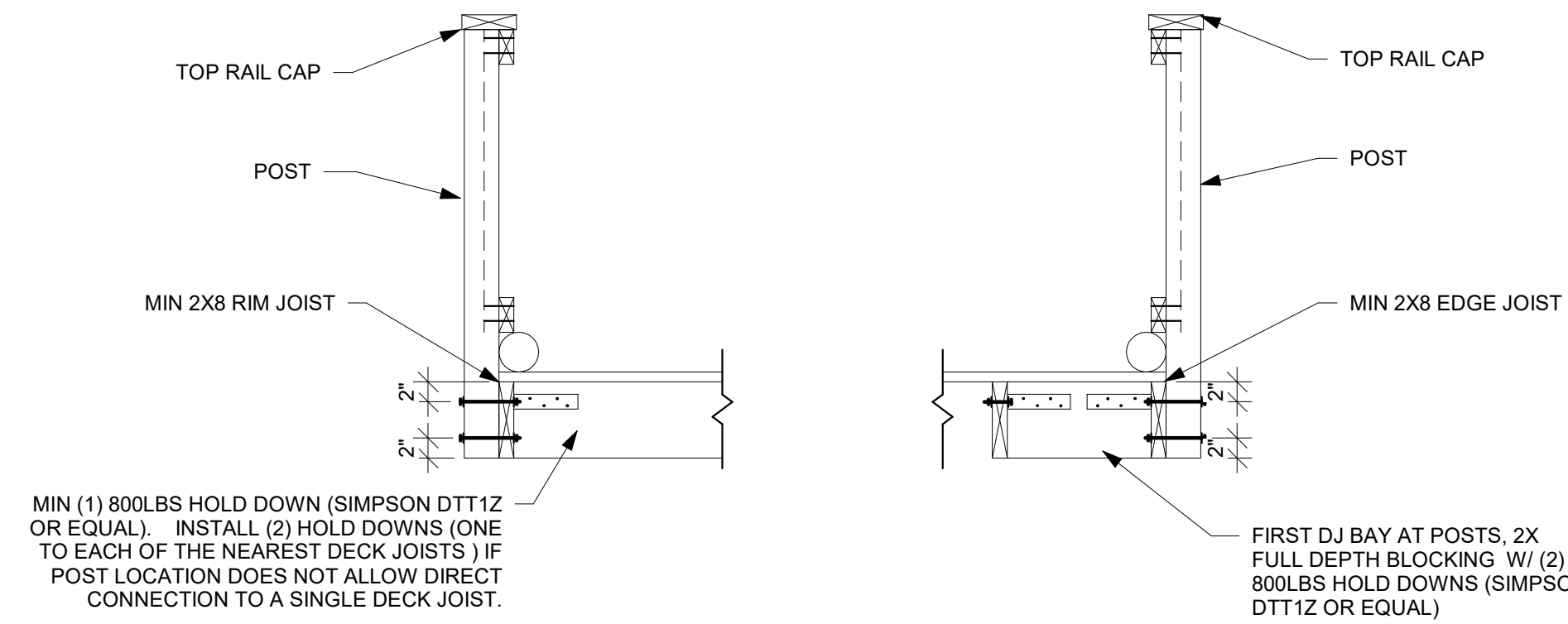
REVISIONS

**FRAMING STANDARDS**

**S510**



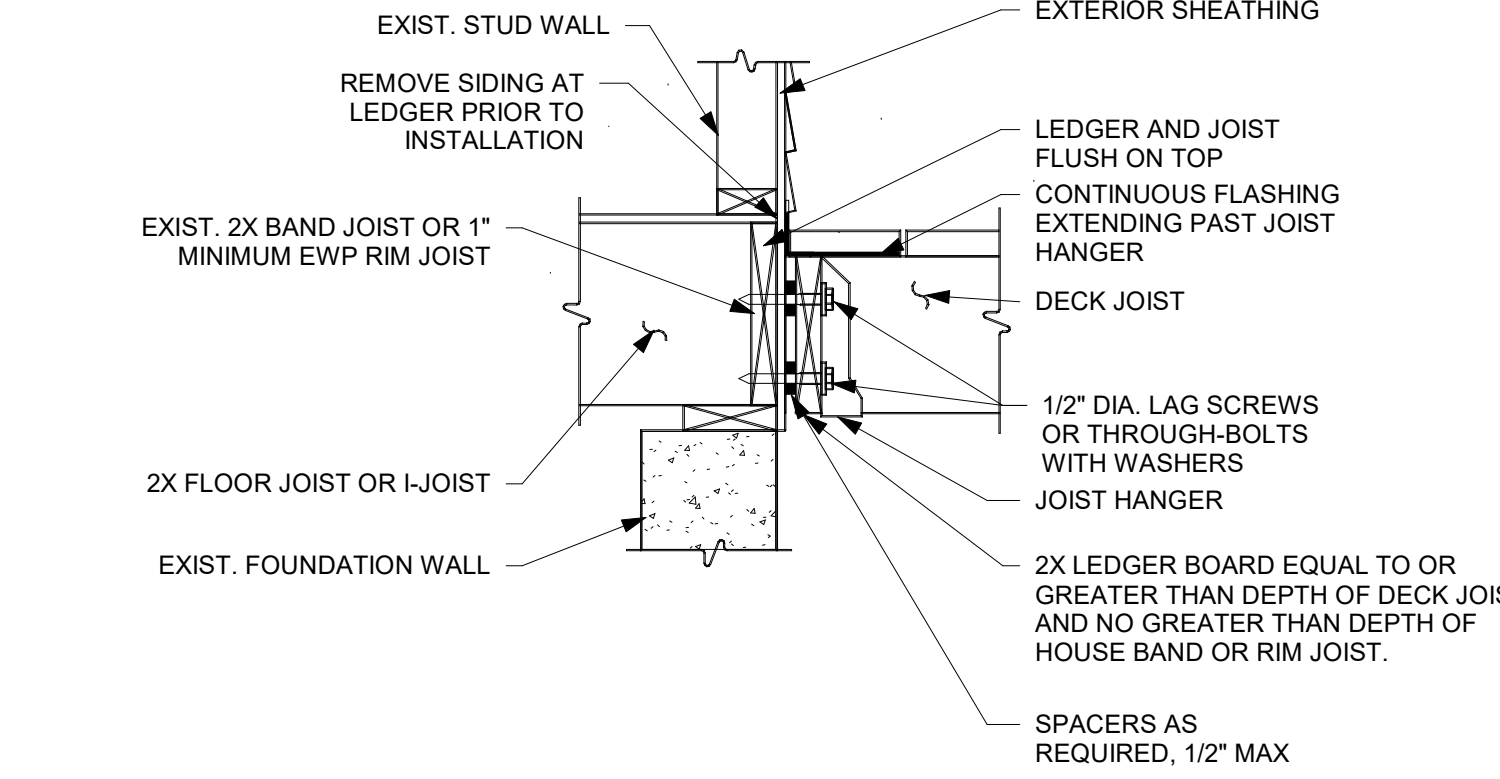
DECK RAILING DETAIL DRAWN TO MEET THE INTENT OF R312 OF THE 2018 IRC AND A CONCENTRATED LOAD OF 200 LBS PER 1607.8.1 OF THE 2018 IBC.



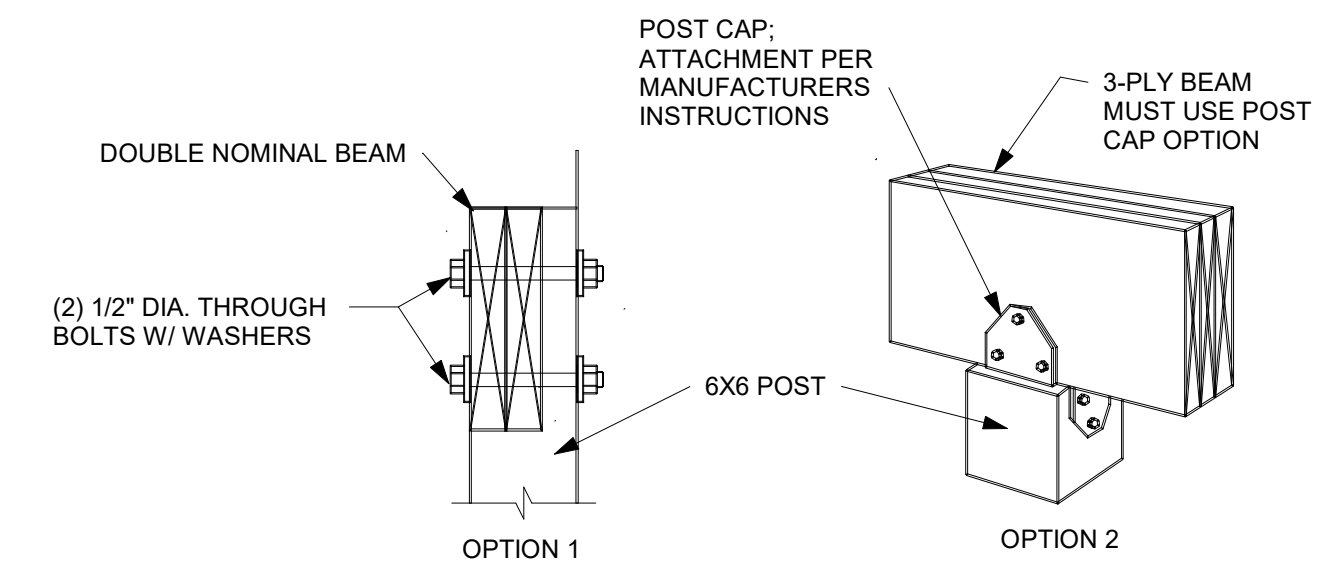
RAILING ATTACHED TO RIM JOIST

RAILING ATTACHED TO EDGE JOIST

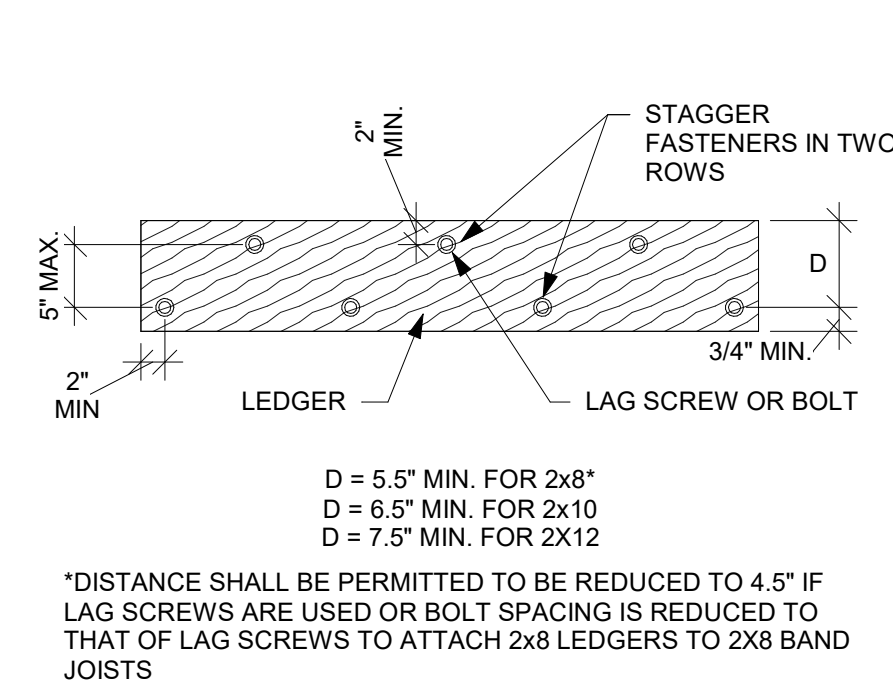
1 DECK RAILING NTS



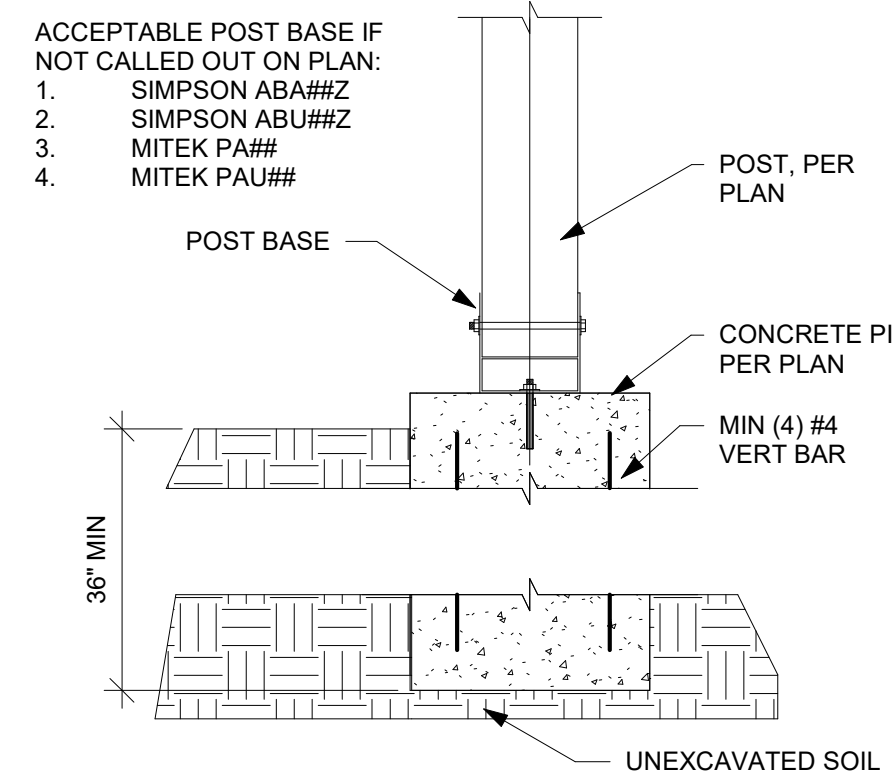
2 LEDGER BOARD TO BAND BOARD DETAIL NTS



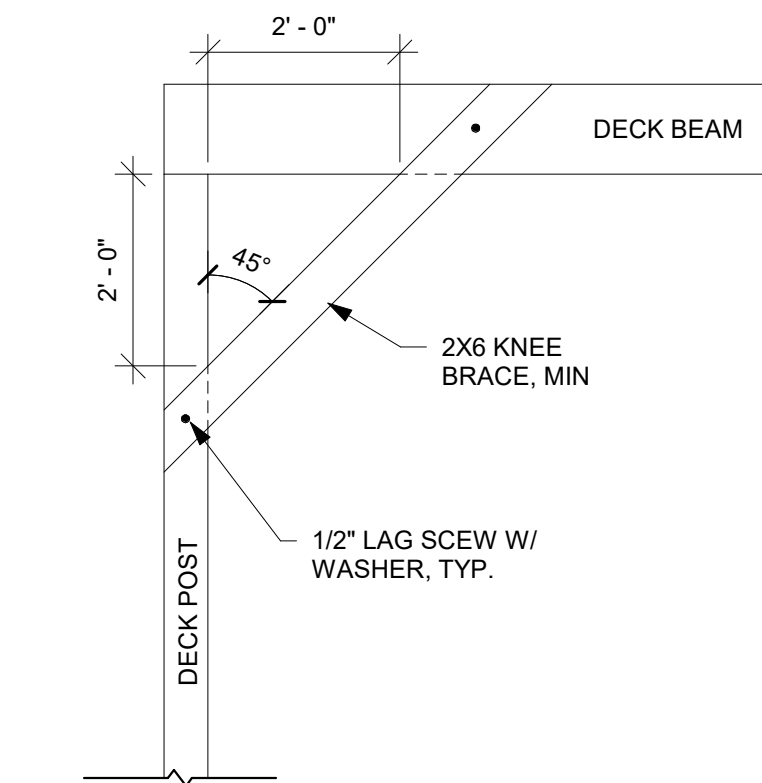
3 TYPICAL POST TO BEAM ATTACHMENT DETAIL NTS



4 DECK LEDGER DIMENSION DETAIL NTS



5 POST BASE DETAIL NTS



6 KNEE BRACING DETAIL NTS

TABLE R507.9.1.3(1) DECK LEDGER CONNECTION TO BAND JOIST (DECK LIVE LOAD = 40 PSF, DECK DEAD LOAD = 10 PSF, SNOW LOAD ≤ 40 PSF)							
CONNECTION DETAILS	JOIST SPAN						
	6' AND LESS	6'1" TO 8'	8'1" TO 10'	10'1" TO 12'	12'1" TO 14'	14'1" TO 16'	16'1" TO 18'
ON-CENTER SPACING OF FASTENERS (INCHES)							
1/2" DIAMETER LAG SCREW WITH 1/2" MAXIMUM SHEATHING	30	23	18	15	13	11	10
1/2" DIAMETER BOLT WITH 1/2" MAXIMUM SHEATHING	36	36	34	29	24	21	19
1/2" DIAMETER BOLT WITH 1" MAXIMUM SHEATHING	36	36	29	24	21	18	16

7 DECK LEDGER CONNECTION TO BAND JOIST (R507.9.1.3(1)) NTS



EVERSTEAD  
3741 NE TROON DRIVE, SUITE 200  
LEE'S SUMMIT, MO 64064  
EVERSTEAD.COM (816)399-4901

AVITAL HOMES

RESERVE AT STONEY CREEK #123 - AVALON CRAFTSMAN  
1921 SW HIGHTOWN DR LEE'S SUMMIT, MO 64082

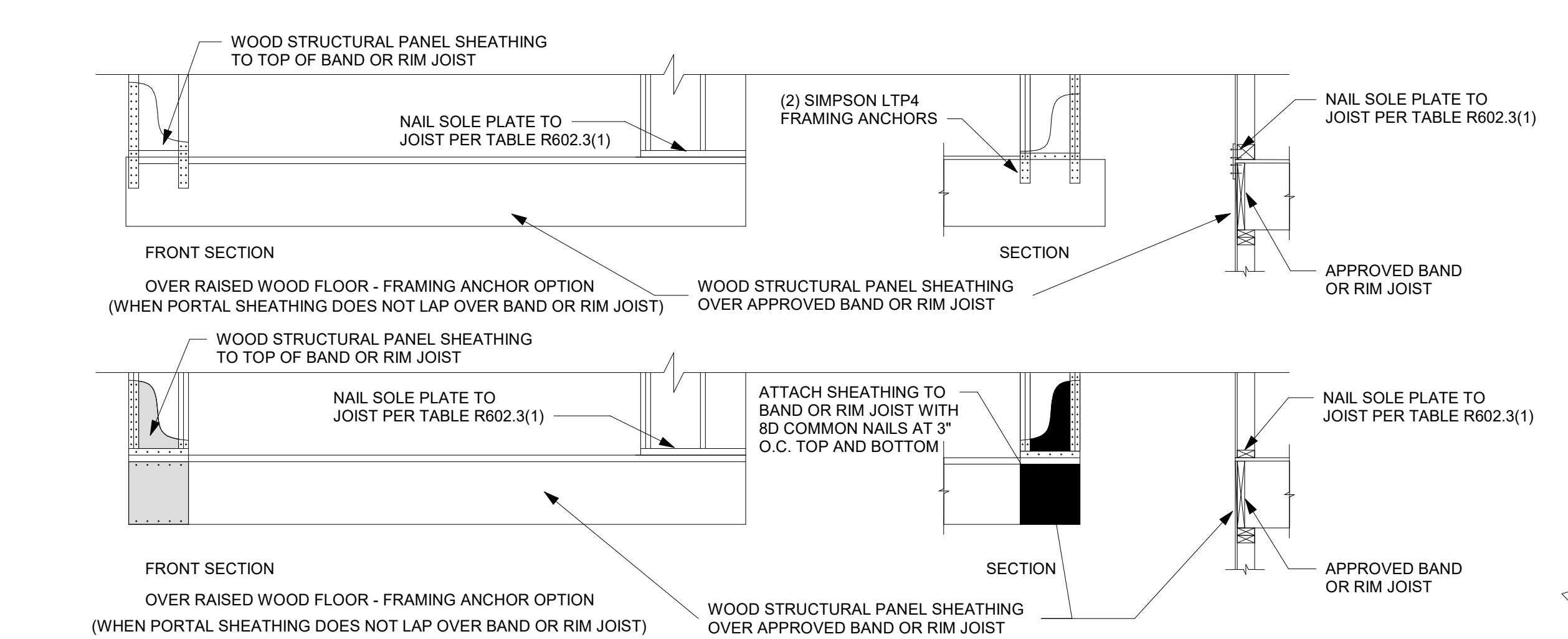
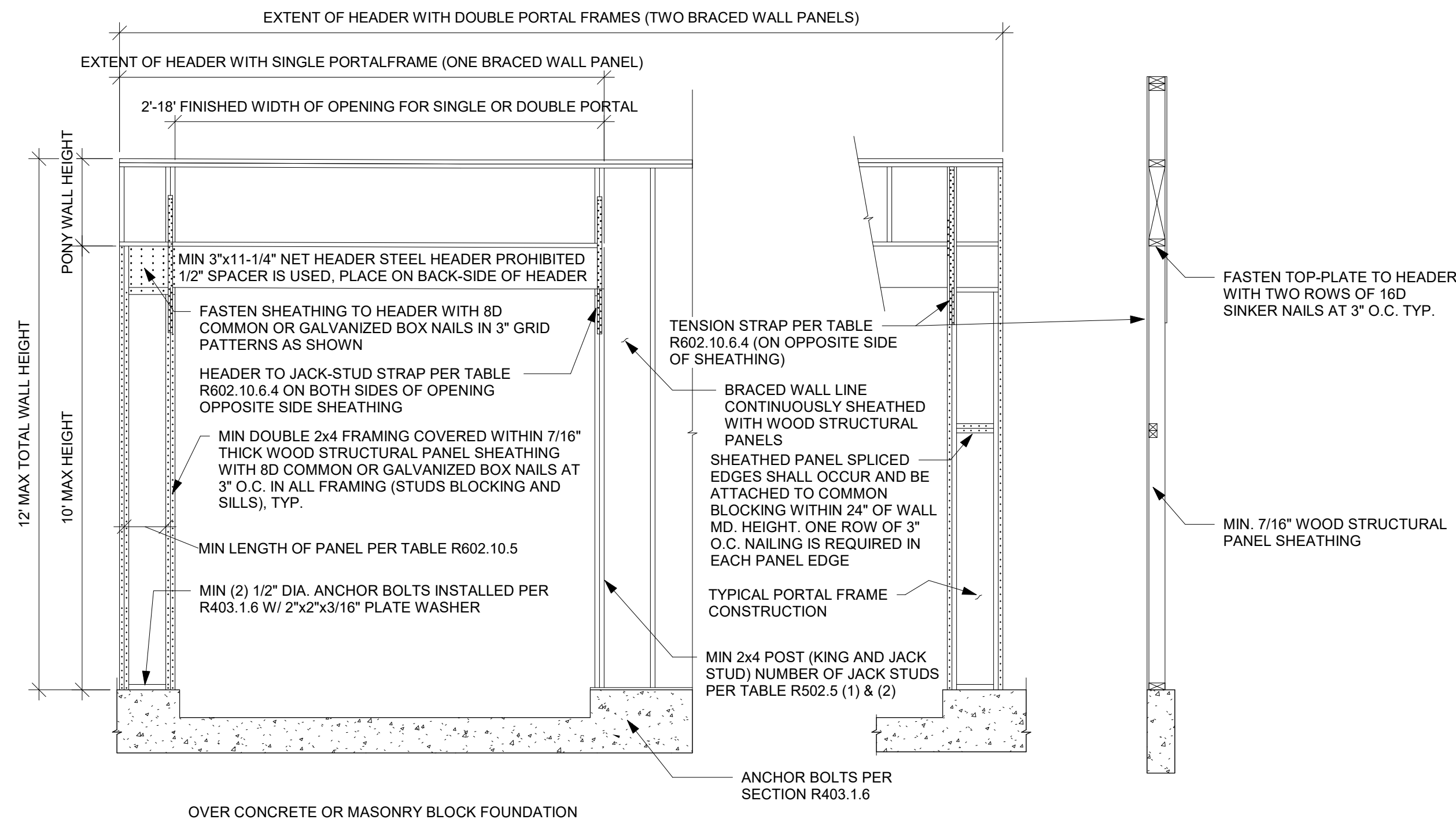
REVISIONS

DECK DETAILS

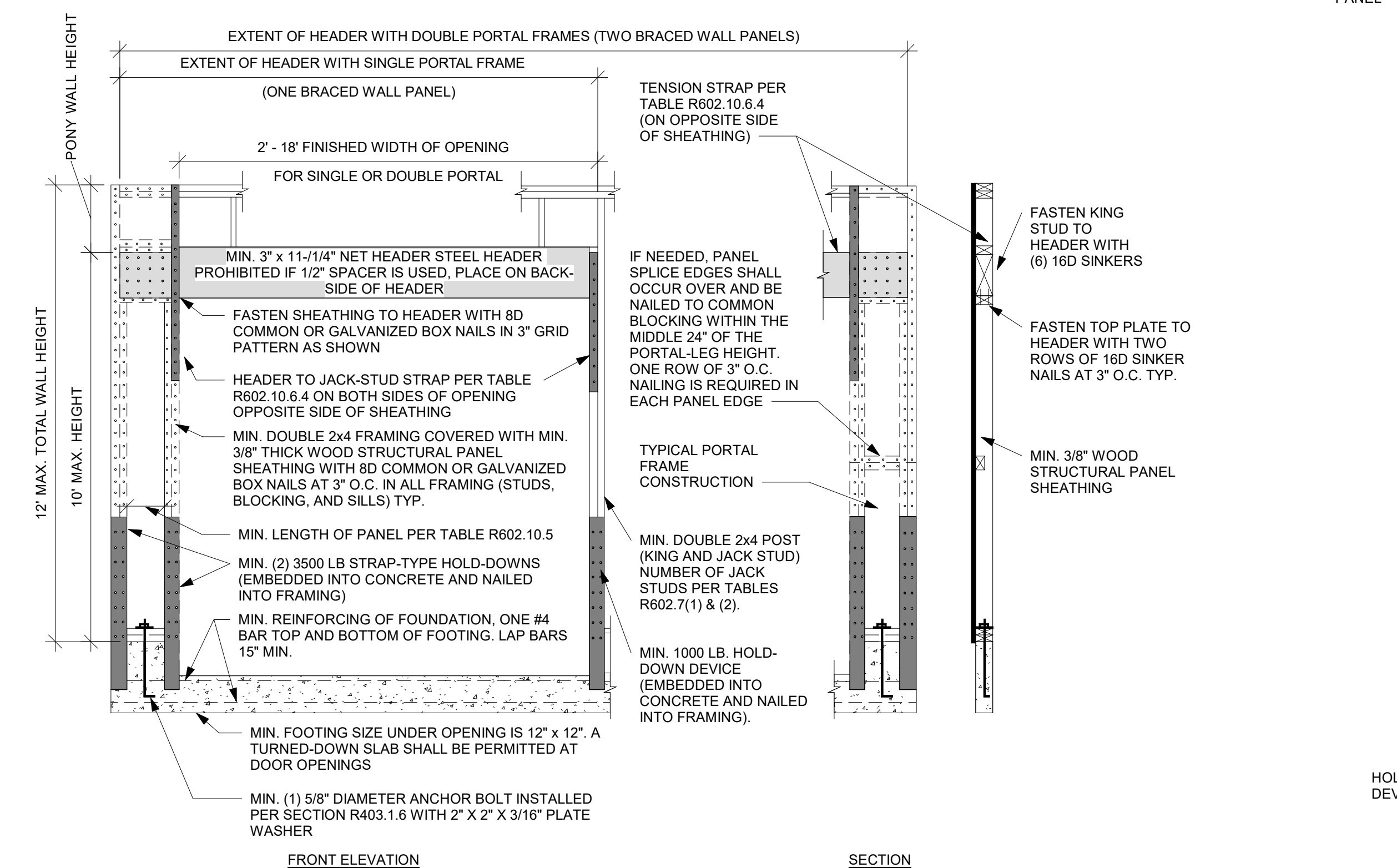
S520

DATE 12/22/2023  
SCALE

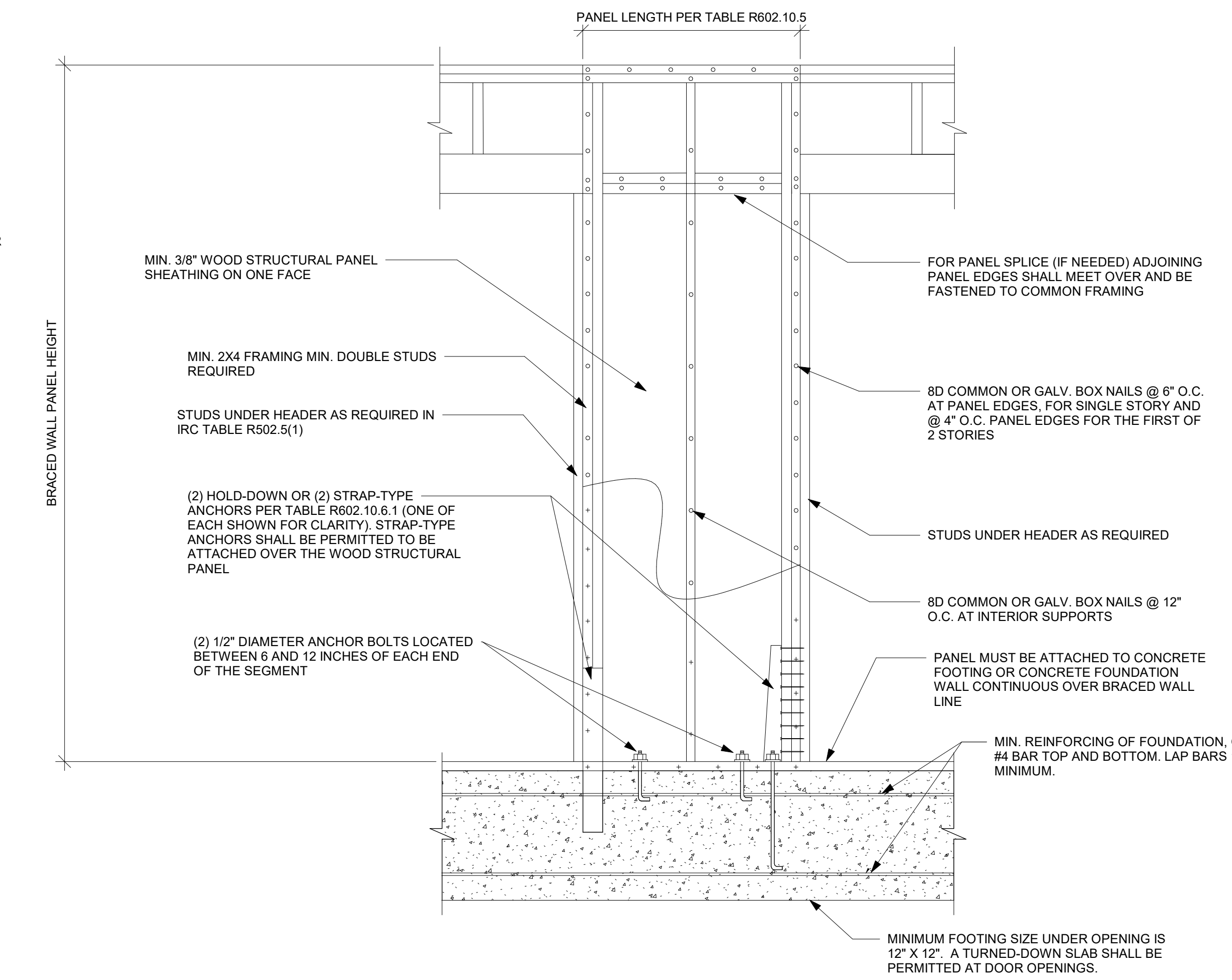
2023.11.19 FOR CONSTRUCTION AS NOTED ON PLANS REVIEW DEVELOPER'S REVIEW AS INDICATED  
LEE'S SUMMIT, MISSOURI  
01/27/2026 3:48:56



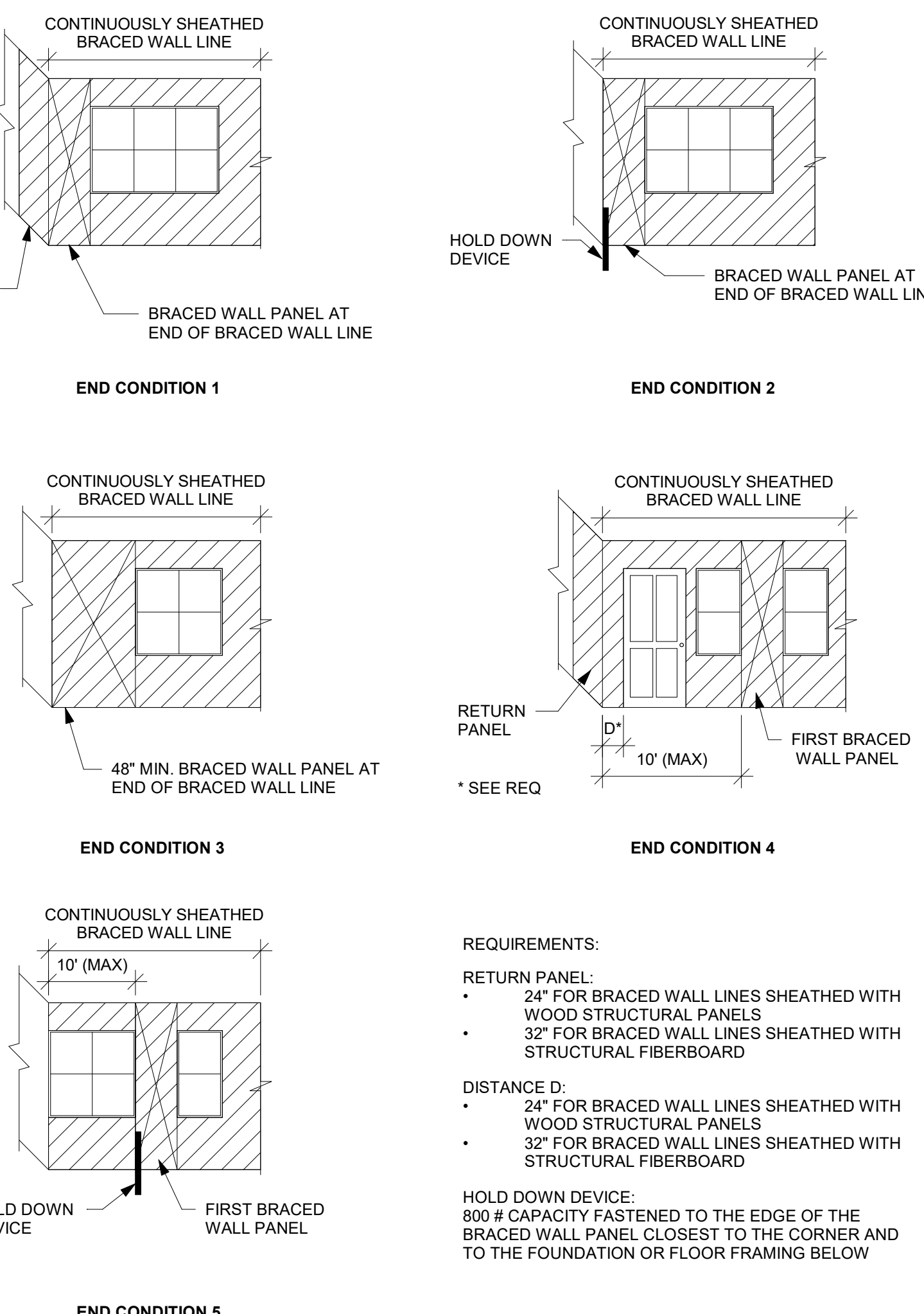
BRACING METHOD CS-PF - CONTINUOUSLY SHEATHED PORTAL FRAME PANEL DETAIL NTS



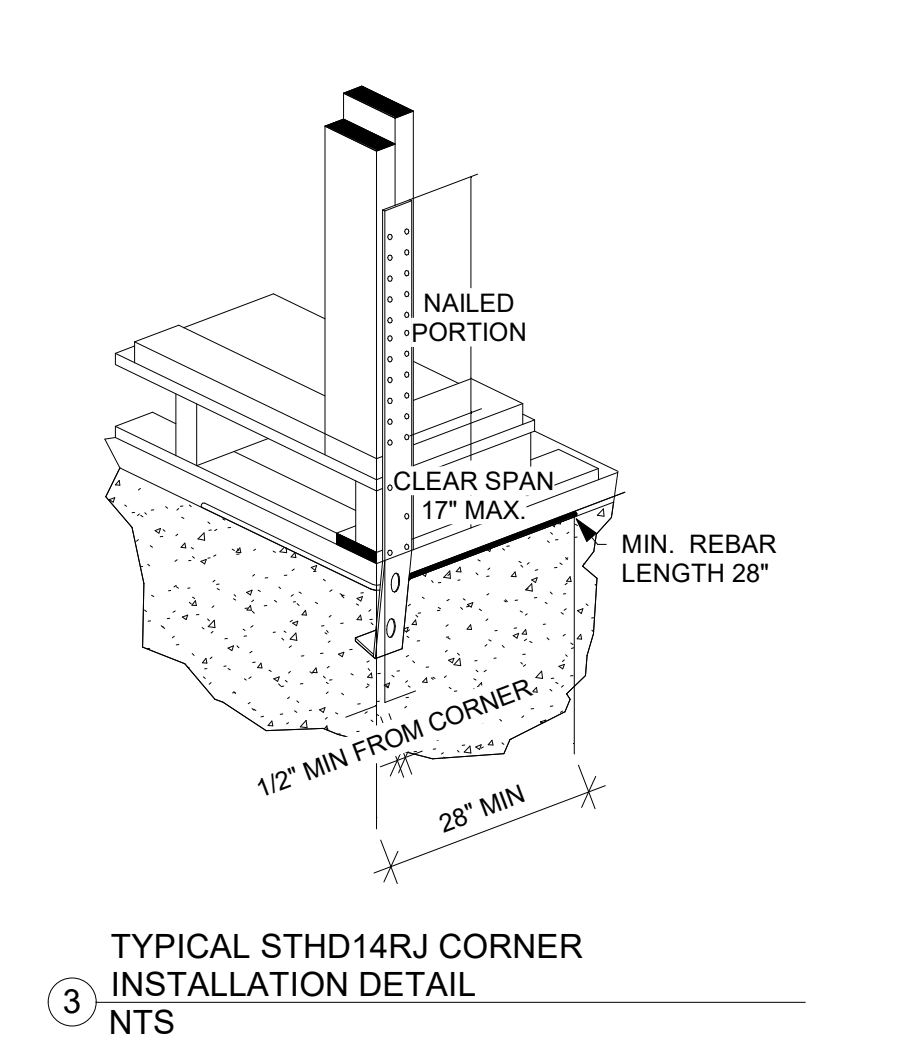
BRACING METHOD PFH - PORTAL FRAME WITH HOLD DOWNS DETAIL NTS



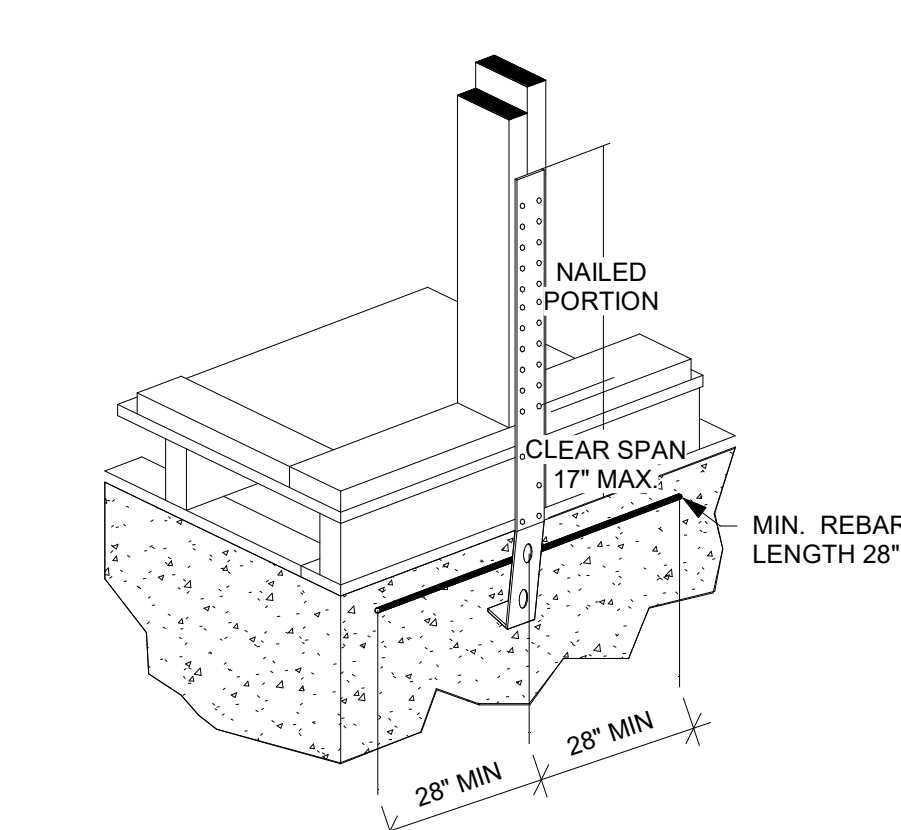
BRACING METHOD ABW - ALTERNATE BRACED WALL PANEL DETAIL NTS



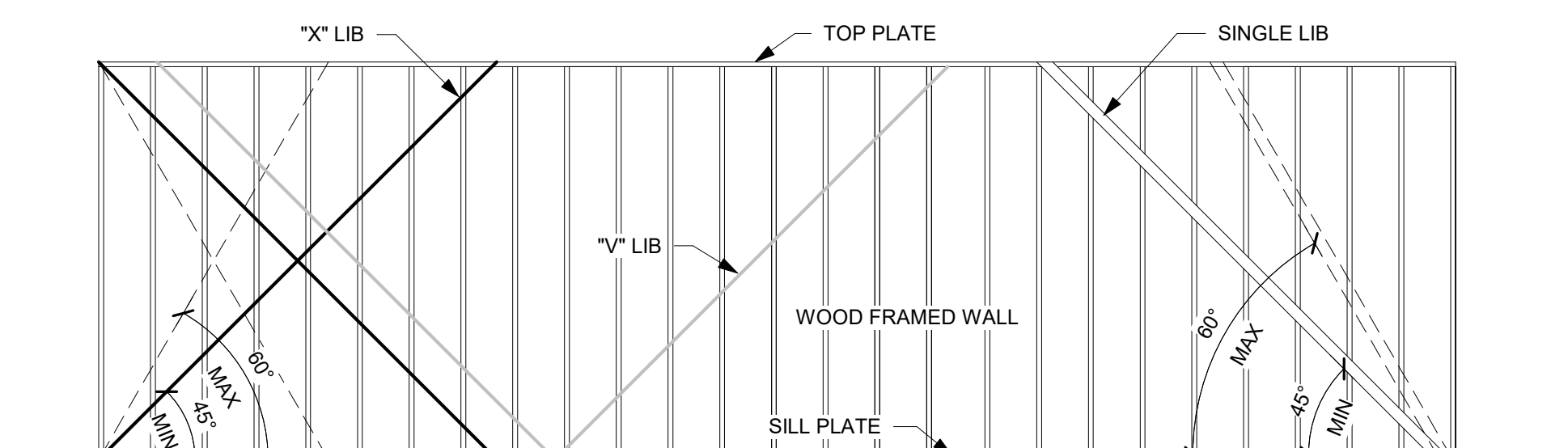
CONTINUOUSLY SHEATHED END CONDITIONS NTS



TYPICAL STHD14RJ CORNER INSTALLATION DETAIL NTS



TYPICAL STHD14RJ MID-WALL INSTALLATION DETAIL NTS



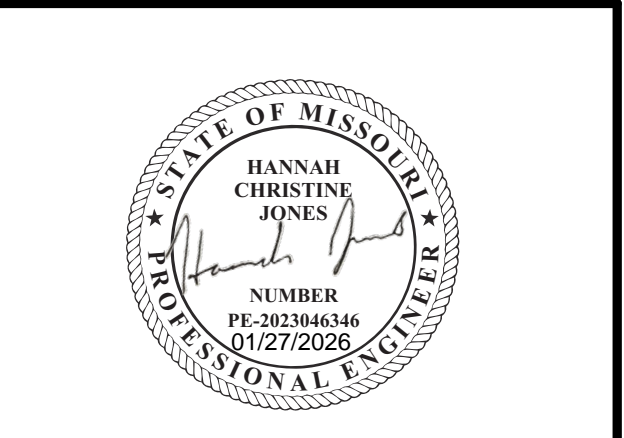
- \*X" AND "V" LIB  
1. LISTED METAL STRAP IS ACCEPTABLE FOR BOTH THE "X" AND "V" INSTALLATION METHOD ONLY.  
A. SIMPSON WB AND WBC  
B. 16GAUGE X 1-1/4" STRAP  
2. MIN LENGTHS  
A. "X" - LENGTH SHOWN ON PLANS  
B. "V" - DOUBLE LENGTH SHOWN ON PLANS  
3. MIN AND MAX ANGLE SHOWN FOR "X" LIB SHALL APPLY TO "V" LIB.
- SINGLE LIB:  
1. 1X4 LUMBER  
2. SIMPSON TWB (MIN 2X4 STUD)  
3. SIMPSON RCWB  
A. EXTERIOR / LOAD BEARING (MIN 2X6 STUD)  
B. INTERIOR / NON LOAD (MIN 2X4 STUD)

LET IN BRACING (LIB) DETAIL NTS

REQUIREMENTS FOR WOOD STRUCTURAL PANEL WALL SHEATHING USED TO RESIST WIND PRESSURES IRC TABLE 602.3(3) (PARTIAL)

MINIMUM NAIL SIZE	MINIMUM WOOD STRUCTURAL PANEL SPAN RATING	MINIMUM NOMINAL PANEL THICKNESS (IN)	MAX WALL STUD SPACING	PANEL NAIL SPACING		ULTIMATE DESIGN WIND SPEED, V <sub>ULT</sub> (MPH)
				EDGES (IN O.C.)	FIELD (IN O.C.)	
6d COMMON	24/0	3/8	16	6	12	140
				6	12	170
8d COMMON	24/16	7/16	24	6	12	140

REQUIREMENTS FOR WOOD STRUCTURAL PANEL WALL SHEATHING USED TO RESIST WIND PRESSURES IRC TABLE 602.3(3) (PARTIAL)



EVERSTEAD  
3741 NE TROON DRIVE, SUITE 200  
LEE'S SUMMIT, MO 64064  
EVERSTEAD.COM (816)399-4901

AVITAL HOMES  
RESERVE AT STONEY CREEK #123 - AVALON CRAFTSMAN  
1921 SW HIGHTOWN DR LEE'S SUMMIT, MO 64082

REVISIONS

NO.	DATE	DESCRIPTION

**BRACING DETAILS**

**S530**

DATE 12/22/2025  
SCALE

2025 12 22 3 48:56  
AS NOTED ON PLANS REVIEW  
DEVELOPER'S SIGNATURE  
LEE'S SUMMIT, MISSOURI  
01/27/2026 3:48:56

BRACING METHODS TABLE R602.10.4 (PARTIAL)			
METHODS, MATERIAL	MINIMUM THICKNESS	CONNECTION CRITERIA	
		FASTENERS	SPACING
WSP - WOOD STRUCTURAL PANEL AND CS-WSP CONTINUOUSLY SHEATHED WOOD STRUCTURAL PANEL	3/8" PANEL W/ MINIMUM 24/0 STRUCTURAL PANEL SPAN RATING	6d COMMON NAILS (2.0" x .113") W/ MINIMUM 1.5" PENETRATION	6" EDGES, 12" FIELD
	7/16" PANEL W/ MINIMUM 24/16 STRUCTURAL PANEL SPAN RATING	8d COMMON NAILS (2.5" x .131") W/ MINIMUM 1.75" PENETRATION	6" EDGES, 12" FIELD
PFH - PORTAL FRAME WITH HOLD-DOWNS	3/8"	SEE DETAIL ON THIS PAGE	SEE DETAIL ON THIS PAGE
PFG - PORTAL FRAME AT GARAGE	3/8"	SEE IRC SECTION R602.10.6.3	SEE IRC SECTION R602.10.6.3
LIB LET-IN-BRACING	1x4 WOOD OR APPROVED METAL STRAPS AT 45 TO 60 DEGREE ANGLES FOR MAX 16" STUD SPACING	WOOD: 2-8d COMMON NAILS OR 3-8d (2-1/2" LONG x .113" DIA.) NAILS	WOOD: PER STUD AND TOP AND BOTTOM PLATES
		SIMPSON WB/WBC INSTALLED IN "X" PAIRS OR IN OPPOSING "V" FASHION AND FASTENED W/ (2) 16d COMMON NAILS FOR PLATE AND (1) 8d COMMON NAIL FOR STUDS	METAL: PER STUD AND TOP AND BOTTOM PLATES
GB-GYPSUM BOARD	1/2"	1/2" INTERIOR SHEATHING W/ STUDS AT 16" O.C.: 13 GAGE, 1-3/8" LONG, 19/64" HEAD, .098" DIA., 1-1/4" LONG, ANNULAR-RINGED; 5d COOLER NAIL, .098" DIA., 1-5/8" LONG, 15/64" HEAD; OR GYPSUM BOARD NAIL, .098" DIA., 1-5/8" LONG, 9/32" HEAD PER TABLE R702.3.5 (SEE TABLE FOR OTHER PANEL THICKNESS OPTIONS)	FOR ALL BRACED WALL PANEL LOCATIONS: 7" EDGES (INCLUDING TOP AND BOTTOM PLATES) 7" FIELD
		EXTERIOR 1/2" SHEATHING: 1-1/2" GALVANIZED ROOFING NAIL; STAPLE GALVANIZED, 1-1/2" LONG; 1-1/4" SCREWS, TYPE W OR S PER TABLE R602.3(1)	
		EXTERIOR 5/8" SHEATHING: 1-3/4" GALVANIZED ROOFING NAIL; STAPLE GALVANIZED, 1-5/8" LONG; 1-5/8" SCREWS, TYPE W OR S PER TABLE R602.3(1)	

DESCRIPTION OF BUILDING MATERIALS	NUMBER AND TYPE OF FASTENER	SPACING AND LOCATION OF FASTENERS
<b>ROOF</b>		
BLOCKING BETWEEN JOISTS OR RAFTERS TO TOP PLATE	4-8d BOX (2-1/2"x0.113") OR 3-8d COMMON (2-1/2"x0.131") OR 3-10d BOX (3"x0.128") OR 3-3"x0.131" NAILS	TOE NAIL
CEILING JOISTS TO PLATE	4-8d BOX (2-1/2"x0.131") OR 3-8d COMMON (2-1/2"x0.131") OR 3-10 BOX (3"x0.128") OR 3-3"x0.131" NAILS	TOE NAIL
CEILING JOISTS NOT ATTACHED TO PARALLEL RAFTER LAPS OVER PARTITIONS	4-10d BOX (3"x0.128") OR 3-16d COMMON (3-1/2"x0.162") OR 4-3"x0.131" NAILS	FACE NAIL
COLLAR TIE TO RAFTER, FACE NAIL OR 1-1/4"x20 GAGE RIDGE STRAP	4-10d BOX (3"x0.128") OR 3-10d COMMON (3"x0.148") OR 4-3"x0.131" NAILS	FACE NAIL EACH RAFTER
RAFTER OR ROOF TRUSS TO TOP PLATE, TOE NAIL	4-16d BOX (3-1/2"x0.135") OR 3-10d COMMON (3"x0.148") OR 4-10d BOX (3"x0.128") OR 4-3"x0.131" NAILS	2 TOE NAILS ON ONE SIDE AND 1 TOE NAIL ON OPPOSITE SIDE OF EACH RAFTER OR TRUSS
ROOF RAFTERS TO RIDGE, VALLEY OR HIP RAFTERS	4-16d BOX (3-1/2"x0.135") OR 3-10d COMMON (3"x0.148") OR 4-10d BOX (3"x0.128") OR 4-3"x0.131" NAILS	TOE NAIL
	3-16d BOX (3-1/2"x0.135") OR 2-16d COMMON (3-1/2"x0.162") OR 3-10d BOX (3"x0.128") OR 3-3"x0.131" NAILS	END NAIL
<b>WALL</b>		
STUD TO STUD (NOT AT BRACED WALL PANELS)	16d COMMON (3-1/2"x0.162")	24" O.C. FACE NAIL
	10d BOX (3"x0.128") OR 3"x0.131" NAIL	16" O.C. FACE NAIL
STUD TO STUD AND ABUTTING STUDS AT INTERSECTION WALL CORNERS (AT BRACED WALL PANELS)	16d BOX (3-1/2"x0.135") OR 3"x0.131" NAIL	12" O.C. FACE NAIL
	16d COMMON (3-1/2"x0.162")	16" O.C. FACE NAIL
BUILT-UP HEADER, TWO PIECES WITH 1/2" SPACER	16d COMMON (3-1/2"x0.162")	16" O.C. EACH EDGE FACE NAIL
	16d BOX (3-1/2"x0.135")	12" O.C. EACH EDGE FACE NAIL
CONTINUOUS HEADER TO STUD	5-8d BOX (2-1/2"x0.113") OR 4-8d COMMON (2-1/2"x0.131") OR 4-10d BOX (3"x0.128")	TOE NAIL
TOP PLATE TO TOP PLATE	16d COMMON (3-1/2"x0.162")	16" O.C. FACE NAIL
	10d BOX (3"x0.128") OR 3"x0.131" NAIL	12" O.C. FACE NAIL
DOUBLE TOP PLATE SPLICE	8-16d COMMON (3-1/2"x0.162") OR 12-16d BOX (3-1/2"x0.135") OR 12-10d BOX (3"x0.128") OR 12-3"x0.131" NAILS	FACE NAIL ON EACH SIDE OF END JOINT (MINIMUM 24" LAP SPLICE LENGTH EACH SIDE OF END JOINT)
BOTTOM PLATE TO JOIST, RIM JOIST, BAND JOIST, OR BLOCKING (NOT BRACED WALL PANELS)	16d COMMON (3-1/2"x0.162")	16" O.C. FACE NAIL
	-16d BOX (3-1/2"x0.135") OR 3"x0.131" NAIL	12" O.C. FACE NAIL
BOTTOM PLATE TO JOIST, RIM JOIST, BAND JOIST, OR BLOCKING (AT BRACED WALL PANELS)	3-16d BOX (3-1/2"x0.135") OR 2-16d COMMON (3-1/2"x0.162") OR 4-3"x0.131" NAILS	3 EACH 16" O.C. FACE NAIL 2 EACH 16" O.C. FACE NAIL 4 EACH 16" O.C. FACE NAIL
	4-8d BOX (2-1/2"x0.113") OR 3-16d BOX (3-1/2"x0.135") OR 4-8d COMMON (2-1/2"x0.131") OR 4-10d BOX (3"x0.128") OR 4-3"x0.131" NAILS	TOE NAIL
TOP OR BOTTOM PLATE TO STUD	3-16d BOX (3-1/2"x0.135") OR 2-16d COMMON (3-1/2"x0.162") OR 3-10d BOX (3"x0.128") OR 3-3"x0.131" NAILS	END NAIL
	3-10d BOX (3"x0.128") OR 2-16d COMMON (3-1/2"x0.162") OR 3-3"x0.131" NAILS	FACE NAIL
TOP PLATES, LAPS AT CORNERS AND INTERSECTIONS	3-8d BOX (2-1/2"x0.113") OR 2-8d COMMON (2-1/2"x0.131") OR 2-10d BOX (3"x0.128") OR 2 STAPLES, 1" CROWN, 16 GA., 1-3/4" LONG	FACE NAIL
1" BRACE TO EACH STUD AND PLATE	3-8d BOX (2-1/2"x0.113") OR 2-8d COMMON (2-1/2"x0.131") OR 2-10d BOX (3"x0.128") OR 2 STAPLES, 1" CROWN, 16 GA., 1-3/4" LONG	FACE NAIL
1"x6" SHEATHING TO EACH BEARING	3-8d BOX (2-1/2"x0.113") OR 2-8d COMMON (2-1/2"x0.131") OR 2-10d BOX (3"x0.128") OR 2 STAPLES, 1" CROWN, 16 GA., 1-3/4" LONG	FACE NAIL
1"x8" AND WIDER SHEATHING TO EACH BEARING	3-8d BOX (2-1/2"x0.113") OR 3-8d COMMON (2-1/2"x0.131") OR 3-10d BOX (3"x0.128") OR 3 STAPLES, 1" CROWN, 16 GA., 1-3/4" LONG	FACE NAIL
	WIDER THAN 1"x8": 4-8d BOX (2-1/2"x0.113") OR 3-8d COMMON (2-1/2"x0.131") OR 3-10d BOX (3"x0.128") OR 4 STAPLES, 1" CROWN, 16 GA., 1-3/4" LONG	

DESCRIPTION OF BUILDING MATERIALS	NUMBER AND TYPE OF FASTENER	SPACING AND LOCATION OF FASTENERS	
<b>FLOOR</b>			
JOIST TO SILL, TOP PLATE, OR GIRDER	4-8d BOX (2-1/2"x0.113") OR 3-8d COMMON (2-1/2"x0.131") OR 3-10d BOX (3"x0.128") OR 3-3"x0.131" NAILS	TOE NAIL	
	8d BOX (2-1/2"x0.113")	4" O.C. TOE NAIL	
RIM JOIST, BAND JOIST OR BLOCKING TO SILL OR TOP PLATE (ROOF APPLICATIONS ALSO)	8d COMMON (2-1/2"x0.131") OR 3-10d BOX (3"x0.128") OR 3"x0.131" NAIL	6" O.C. TOE NAIL	
1"x6" SUBFLOOR OR LESS TO EACH JOIST	3-8d BOX (2-1/2"x0.113") OR 2-8d COMMON (2-1/2"x0.131") OR 3-10d BOX (3"x0.128") OR 2 STAPLES, 1" CROWN, 16 GA., 1-3/4" LONG	FACE NAIL	
2" SUBFLOOR TO JOIST OR GIRDER	3-16d BOX (3-1/2"x0.135") OR 2-16d COMMON (3-1/2"x0.162")	BLIND AND FACE NAIL	
2" PLANKS (PLANK & BEAM-FLOOR & ROOF)	3-16d BOX (3-1/2"x0.135") OR 2-16d COMMON (3-1/2"x0.162")	AT EACH BEARING FACE NAIL	
BAND OR RIM JOIST TO JOIST	3-16d COMMON (3-1/2"x0.162") OR 4-10d BOX (3"x0.128") OR 4-3"x0.131" NAILS OR 4 3"x14 GA. STAPLES, 7/16" CROWN	END NAIL	
	20d COMMON (3"x0.128")	NAIL EACH LAYER AS FOLLOWS: 32" O.C. AT TOP END AND BOTTOM AND STAGGERED.	
BUILT-UP GIRDERS AND BEAMS, 2" LUMBER LAYERS	10d BOX (3"x0.128") OR 3"x0.131" NAIL	24" O.C. FACE NAIL AT TOP AND BOTTOM STAGGERED ON OPPOSITE SIDES	
	AND: 2-20d COMMON (4"x0.192") OR 3-10d BOX (3"x0.128") OR 3-3"x0.131" NAILS	FACE NAIL AT ENDS AND AT EACH SPLICE	
LEDGER STRIP SUPPORTING JOISTS OR RAFTERS	4-16d BOX (3-1/2"x0.135") OR 3-16d COMMON (3-1/2"x0.162") OR 4-10d BOX (3"x0.128") OR 4-3"x0.131" NAILS	AT EACH JOIST OR RAFTER, FACE NAIL	
BRIDGING OR BLOCKING TO JOIST	2-10d BOX (3"x0.128") OR 2-8d COMMON (2-1/2"x0.131") OR 2-3"x0.131" NAILS	EACH END, TOE NAIL	
DESCRIPTION OF BUILDING MATERIALS	NUMBER AND TYPE OF FASTENER	EDGES (IN)	INTERMEDIATE SUPPORTS (IN)
WOOD STRUCTURAL PANELS, SUBFLOOR, ROOF AND INTERIOR WALL SHEATHING TO FRAMING AND PARTICLEBOARD WALL SHEATHING TO FRAMING [SEE TABLE R602.3(3) FOR WOOD STRUCTURAL PANEL EXTERIOR WALL SHEATHING TO WALL FRAMING]			
3/8" - 1/2"	6d COMMON (2"x0.113") NAIL (SUBFLOOR, WALL) OR 8d COMMON (2-1/2"x0.131") NAILS (ROOF) OR RRSR-01 (2-3/8"x0.113") NAIL (ROOF)	6	12
19/32" - 1"	8d COMMON NAIL (2-1/2"x0.131") OR RRSR-01 (2-3/8"x0.113") NAIL (ROOF)	6	12
1-1/8" - 1-1/4"	10d COMMON (3"x0.148") NAIL OR 8d (2-1/2"x0.131") DEFORMED NAIL	6	12
<b>OTHER WALL SHEATHING</b>			
1/2" STRUCTURAL CELLULOSIC FIBERBOARD SHEATHING	1-1/2" GALVANIZED ROOFING NAIL, 7/16" HEAD DIAMETER OR 1-1/4" LONG 16 GA. STAPLE WITH 7/16" OR 1" CROWN	3	6
25/32" STRUCTURAL CELLULOSIC FIBERBOARD SHEATHING	1-3/4" GALVANIZED ROOFING NAIL, 7/16" HEAD DIAMETER OR 1-1/2" LONG 16 GA. STAPLE WITH 7/16" OR 1" CROWN	3	6
1/2" GYPSUM INTERIOR COVERING (R702.3.5)	1-1/2" GALVANIZED ROOFING NAIL; STAPLE GALVANIZED, 1-1/2" LONG; 1-1/4" SCREWS, TYPE "W" OR "S"	7	7
5/8" GYPSUM INTERIOR COVERING (R702.3.5)	1-3/4" GALVANIZED ROOFING NAIL; STAPLE GALVANIZED, 1-5/8" LONG; 1-5/8" SCREWS, TYPE "W" OR "S"	7	7
<b>WOOD STRUCTURAL PANELS, COMBINATION SUBFLOOR UNDERLAYMENT TO FRAMING</b>			
3/4" AND LESS	6d DEFORMED (2"x0.120") NAIL OR 8d COMMON (2-1/2"x0.131") NAIL	6	12
7/8" - 1"	8d COMMON (2-1/2"x0.131") NAIL OR 8d DEFORMED (2-1/2"x0.120") NAIL	6	12
1-1/8" - 1-1/4"	10d COMMON (3"x0.148") NAIL OR 8d DEFORMED (2-1/2"x0.120") NAIL	6	12



EVERSTEAD  
3741 NE TROON DRIVE, SUITE 200  
LEE'S SUMMIT, MO 64064  
EVERSTEAD.COM (816)399-4901

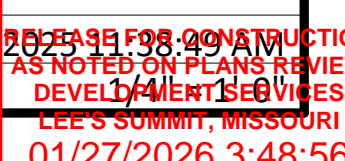
**AVITAL HOMES**  
 RESERVE AT STONEY CREEK #123 - AVALON CRAFTSMAN  
 1921 SW HIGHTOWN DR LEE'S SUMMIT, MO 64082

REVISIONS

**FASTENING SCHEDULE**

**S550**

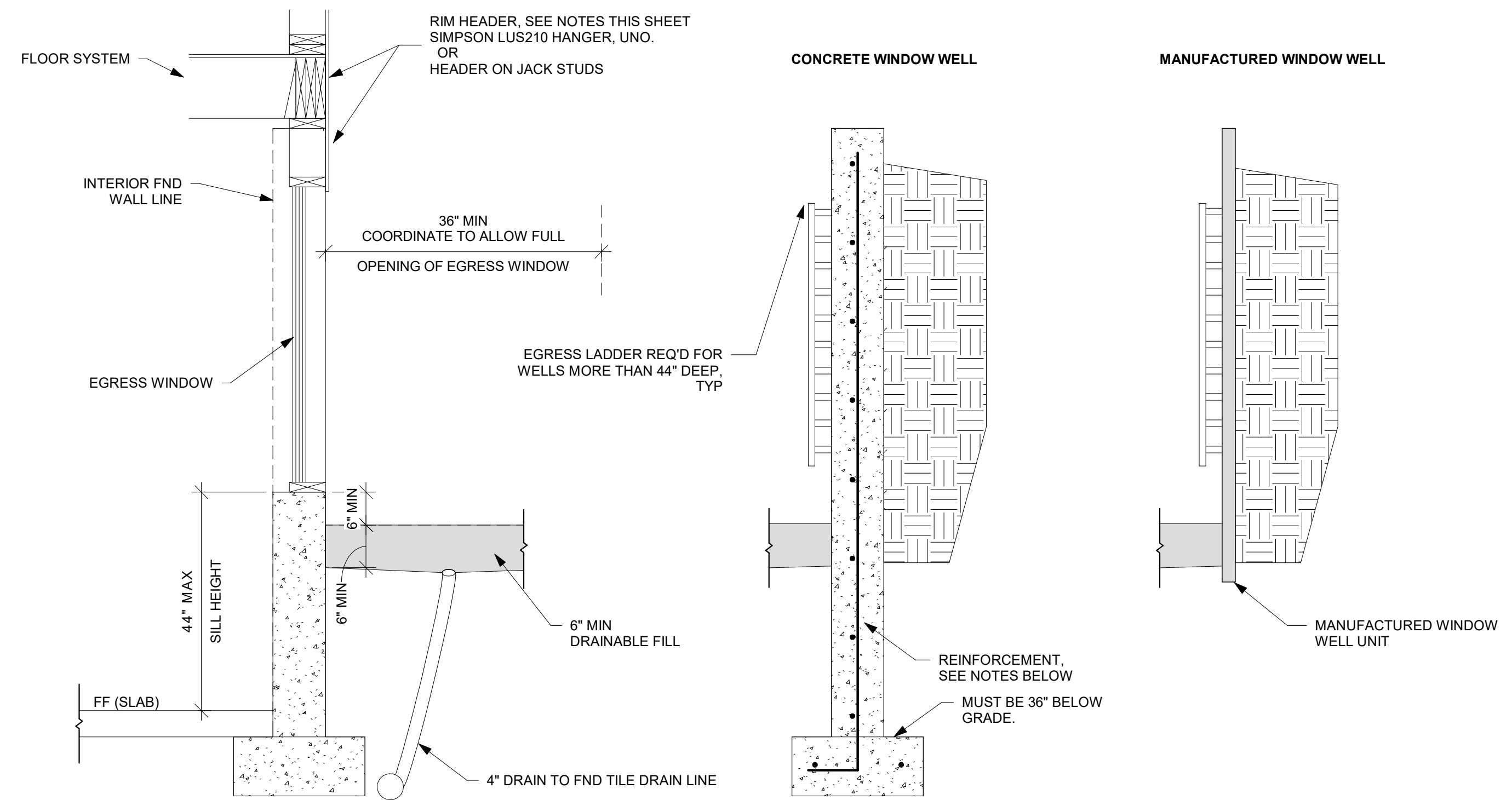
DATE 12/22/2025 FOR CONSTRUCTION AS NOTED ON PLANS REVIEW DEVELOPER'S REVIEWS  
SCALE



**GENERAL NOTES**

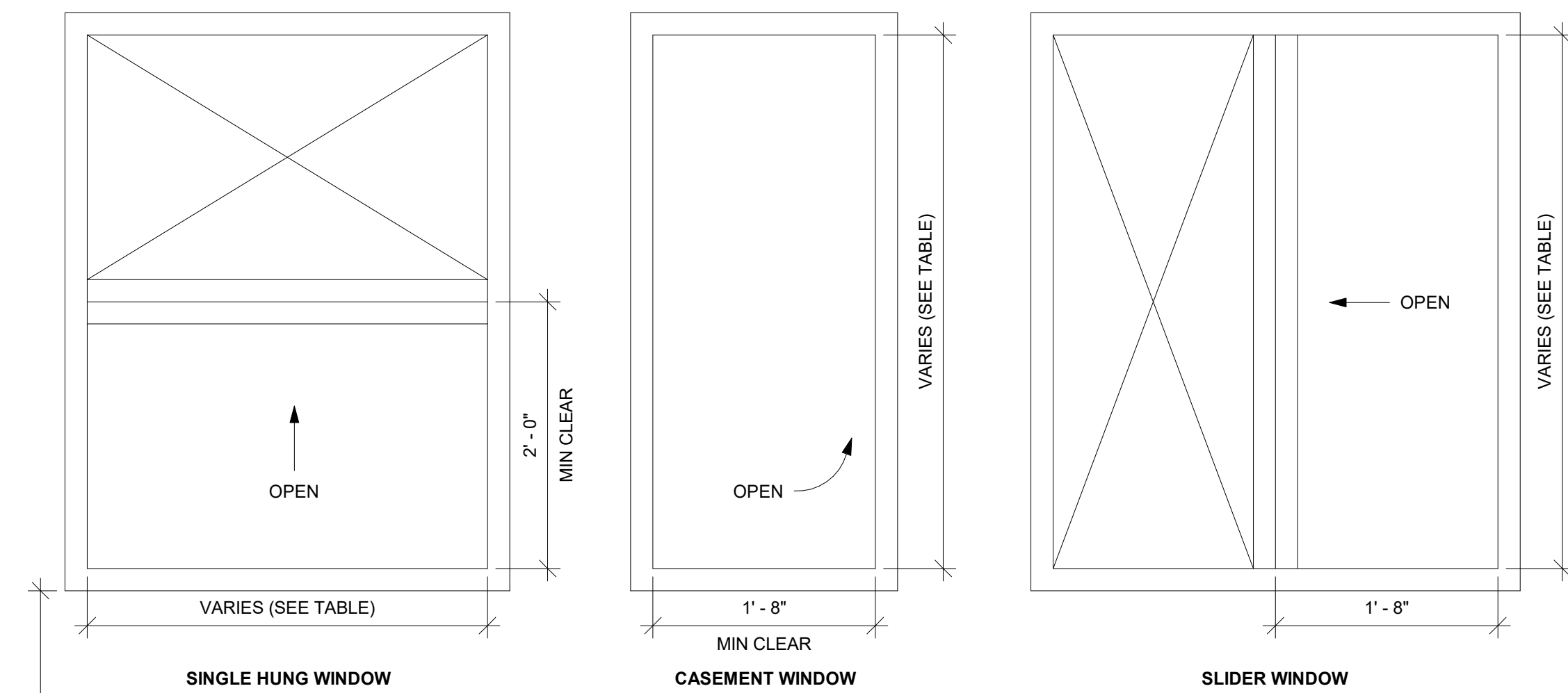
- ALL CONSTRUCTION SHALL CONFORM TO 2018 INTERNATIONAL RESIDENTIAL CODE OR ATTACHED ENGINEER SPECIFICATIONS WHERE APPLICABLE.
- THE INFORMATION PROVIDED ON THIS PLAN SHEET IS DESIGNED AND REVIEWED IN ACCORDANCE WITH THE IRC.
- CONCRETE WINDOW WELLS SHALL BE MINIMUM 3000 PSI COMPRESSIVE STRENGTH.
- ASSUMED SOIL MINIMUM BEARING CAPACITY 1500 PSF.
- CONTRACTOR IS RESPONSIBLE FOR VERIFICATION OF EXISTING CONDITIONS AND DIMENSIONS CRITICAL FOR CONSTRUCTION OF NEW WORK.
- MEANS AND METHODS OF CONSTRUCTION ARE OUT OF SCOPE OF THE DESIGN PROVIDED.
- TEMPORARY SUPPORTS SHALL BE INSTALLED BEFORE REMOVAL OF LOAD BEARING STRUCTURES.
- DIMENSIONAL LUMBER SHALL BE MINIMUM DOUGLAS FIR LARCH NO. 2 OR SOUTHERN YELLOW PINE #1.
- LVL BEAMS SHALL HAVE MINIMUM 2.0E AND 3100F<sub>v</sub>.
- STEEL POST COLUMNS SHALL BE MINIMUM SCHEDULE 40, F<sub>y</sub>=35KSI.
- MINIMUM HEADERS
  - ASSUMES LOADING FOR BUILDING WITH MAXIMUM WIDTH OF 36 FT (ROOF WITH 30PSF SNOW LOADS, CEILING, AND TWO FLOORS W/ CENTER BEARING) PER TABLE R602.7(1)

HEADER	MAX CLEAR SPAN	MIN JACK STUDS
(2) 2X10	4'-0"	2
(3) 2X10	5'-1"	2
(2) 2X12	4'-9"	3
(3) 2X12	5'-11"	2
(2) 1.75X9.25 LVL	7'-6"	3
(2) 1.75X11.25 LVL	9'-3"	3



- NOTES:**
- WINDOW WELL MUST MEET REQUIREMENT IN R310.2.6 OF THE IRC AND LOCALLY ADOPTED CODE.
  - CONCRETE WINDOW WELL
    - INSTALLED WITH NEW FOUNDATION
      - POUR WINDOW WELL MONOLITHICALLY WITH ADJACENT FND WALL.
      - REINFORCEMENT
        - MATCH ADJACENT WALL REINFORCEMENT, SEE PLANS
    - INSTALLED TO EXISTING FOUNDATION
      - REINFORCEMENT
        - #4 BAR @ 12" OC EW IN WALLS
        - DRILL AND EXPOY HOR BAR INTO EX FND, MIN 6" EMBEDMENT INTO EX FND WALL.
        - (2) #4 BAR CONT IN WALL FTG.
      - SEAL WHERE NEW CONCRETE IS POURED AGAINST EX FND WITH MASTIC STRIPS OR OTHER WATER STOP MATERIAL.
  - MANUFACTURED WINDOW WELL
    - INSTALL PER MANUFACTURER'S WRITTEN INSTRUCTIONS
    - COORDINATE DEPTH OF WELL WITH WINDOW AND MANUFACTURER REQUIREMENTS.

**SECTION**

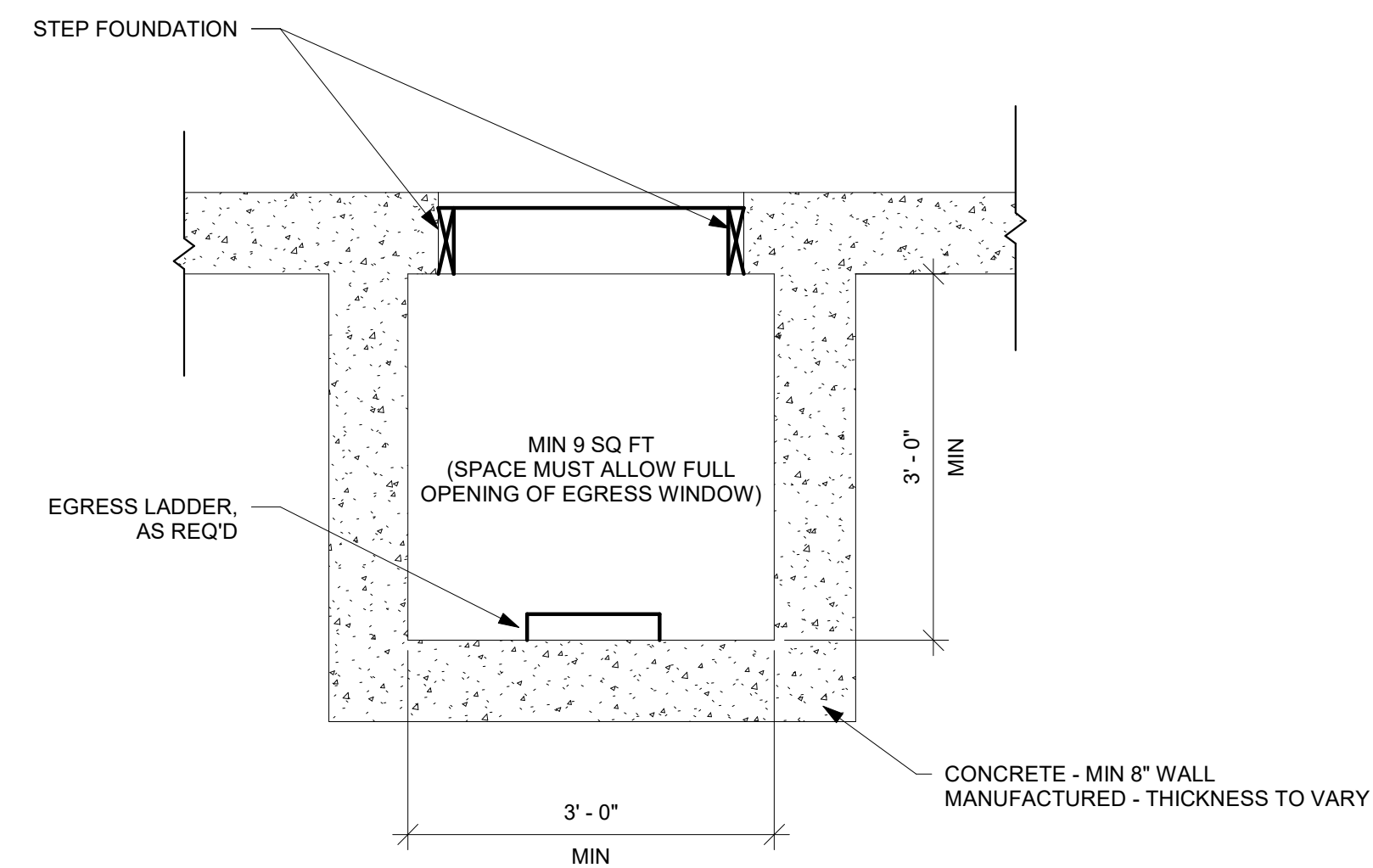


**NOTES**

- EGRESS WINDOWS MUST CONFORM TO R310 OF THE 2018 IRC
  - MIN CLEAR OPENING
    - ABOVE GRADE FLOOR NOT LESS THAN 5.7 SQ FT PER R310.2.1
    - AT OR BELOW GRADE NOT LESS THAN 5.0 SF FT PER 310.2.1
  - MIN NET CLEAR HEIGHT SHALL BE NOT LESS THAN 2 FT
  - MIN NET CLEAR WIDTH SHALL BE NOT LESS THAN 20 INCH
- MINIMUM WINDOW SIZES SHOWN BELOW ARE SPECIFIC TO THE MANUFACTURER AND VINYL WINDOW MODEL NUMBER LISTED. THE CONTRACTOR IS RESPONSIBLE FOR COORDINATION OF WINDOW SIZES WITH THE SELECTED MANUFACTURER, WINDOW FRAMING MATERIAL, AND STYLE.

MANUFACTURER	MODEL	SINGLE HUNG	CASEMENT	SLIDER
ANDERSON	200 SERIES	36X60	--	--
ANDERSON	400 SERIES	--	36X40	48X40
JELD-WEN	V-2500	36X60	--	48X48
JELD-WEN	V-4500	--	36X48	--
PELLA	250 SERIES	36X60	36X42	--
PELLA	150 SERIES	--	--	48X48

WINDOW EGRESS (NTS)



**PLAN**

WINDOW WELL FOR EGRESS (NTS)



EVERSTEAD  
3741 NE TROON DRIVE, SUITE 200  
LEE'S SUMMIT, MO 64064  
EVERSTEAD.COM (816)399-4901

**AVITAL HOMES**  
  
 RESERVE AT STONEY CREEK #123 - AVALON CRAFTSMAN  
 1921 SW HIGHTOWN DR LEE'S SUMMIT, MO 64082

**REVISIONS**

NO.	DATE	DESCRIPTION

**EGRESS WINDOWS**

**S560**

DATE 12/22/2023 FOR CONSTRUCTION AS NOTED ON PLANS REVIEW  
SCALE  
01/27/2026 3:48:56