

sabre

SO 569487

NOTICE

ALL PARTS ARE TO BE INVENTORIED AND ANY SHORTAGES REPORTED
WITHIN 48 HOURS OF DELIVERY TO THE CONTRACTING ERECTOR.
SHORTAGES REPORTED AFTER THIS TIME PERIOD
WILL BE CHARGED TO THE CONTRACTOR.
CALL 712-258-6690 TO REACH THE SABRE CONTRACTS DEPARTMENT.



AVISO

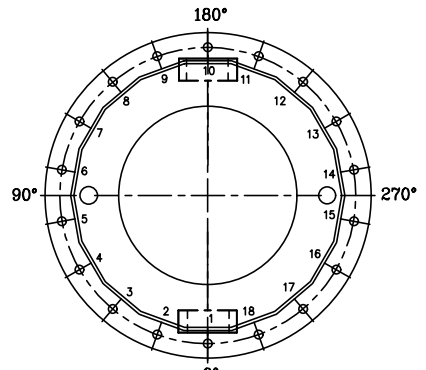
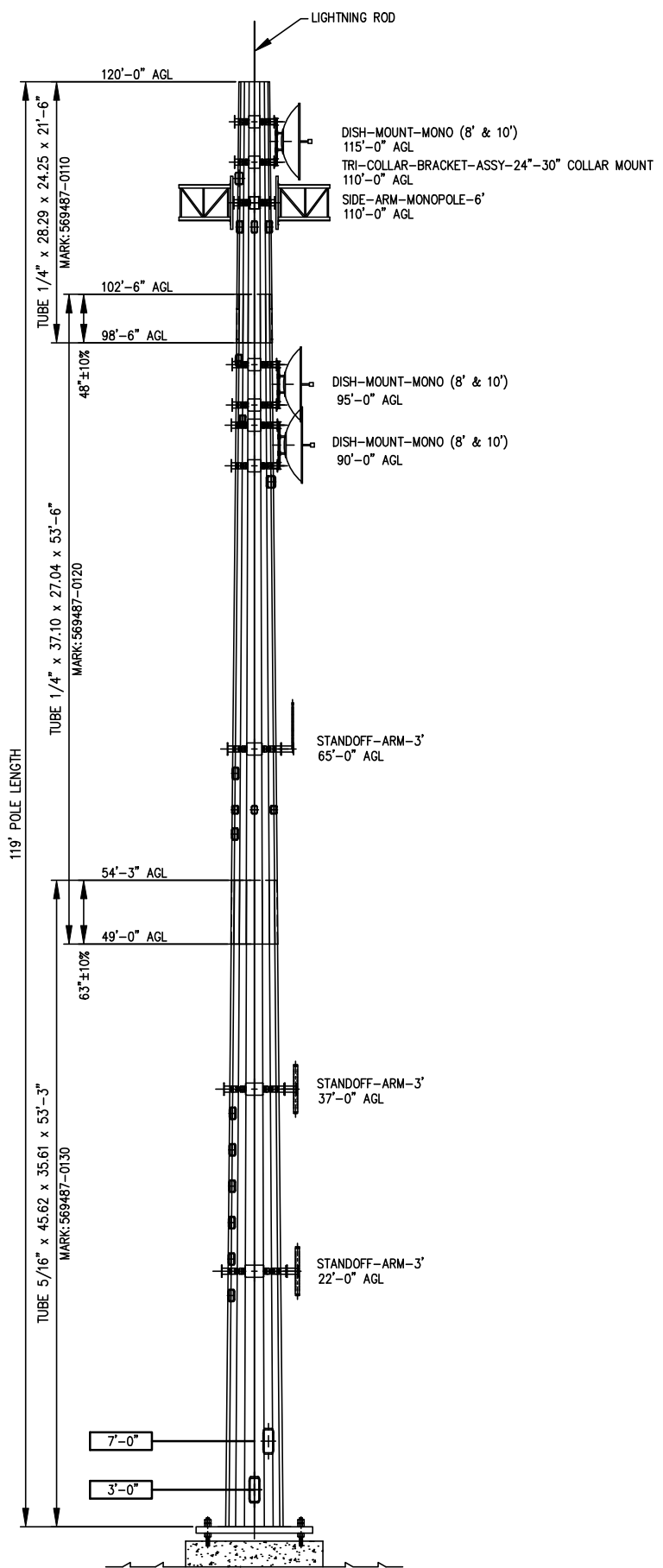
TODAS LAS PARTES SERAN INVENTARIADAS Y LOS FALTANTES REPORTADOS POR EL CONTRATISTA
DENTRO DE LAS 48 HORAS A PARTIR DE LA ENTREGA.
LOS FALTANTES REPORTADOS DESPUES DE 48 HORAS SERAN CARGADOS AL CONTRATISTA.
PARA ACLARACIONES LLAME A:
SABRE-DEPARTAMENTO DE CONTRATACIONES
(001) 712 258-6690

NOTICE: ALL PARTS ARE TO BE INVENTORIED AND ANY SHORTAGES REPORTED WITHIN 48 HOURS OF DELIVERY. SHORTAGES REPORTED AFTER THIS TIME PERIOD WILL BE CHARGED TO THE CONTRACTOR.

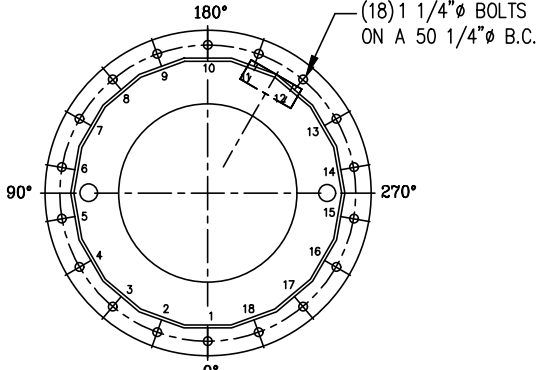
CALL 800/369-6690 ASK FOR THE CONTRACTS DEPARTMENT

DRAWING LIST

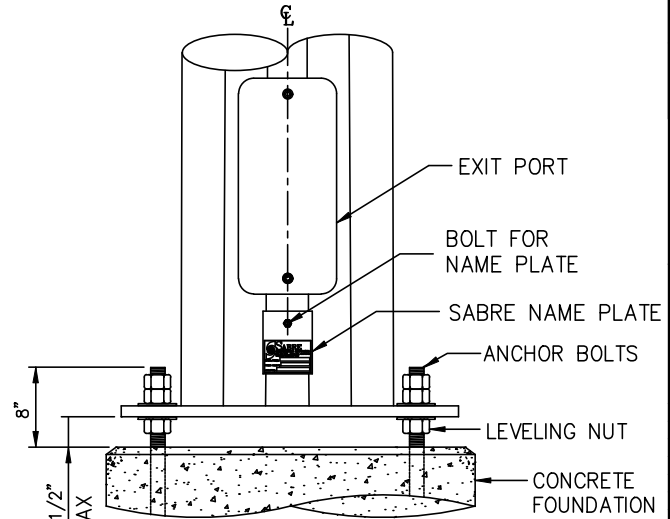
MONOPOLE ERECTION	569487-MM
MONOPOLE FOUNDATION(S)	569487-F1
MONOPOLE FABRICATION	569487-01
MOUNTS: TRI-COLLAR	C10112377 C10112378
PIPE MOUNT (8' -10' DISHES)	C10117008
6' SIDEARM	C10119106C C10151106 C10179001
3' STANDOFF ARM	C10114003
LIGHT-SIDELIGHT MOUNT	C30002002
SAFETY CLIMB EXTENSION KIT	C30012089
SAFETY CLIMB EXTENSION KIT	C30012088
LIGHTNING ROD CCS 5/8" X 4'	9025689
BILL OF MATERIALS	BOM-1



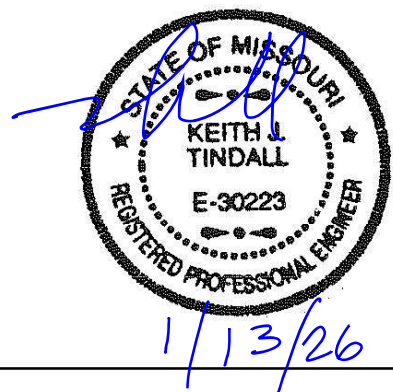
ACCESS PORT @ 3'-0"
ORIENT POLE IN THE FIELD TO SUIT



ACCESS PORT @ 7'-0"
ORIENT POLE IN THE FIELD TO SUIT



BASE INSTALLATION



WIND INDUCED VIBRATIONS, SUCH AS VORTEX SHEDDING AND HARMONIC OSCILLATION/RESONANCE, OF STRUCTURES OF ALL TYPES DUE TO UNPREDICTABLE INTERACTION WITH WIND AND SURROUNDING STRUCTURES, EXPOSURE AND TERRAIN RARELY OCCUR. THE OWNER'S MAINTENANCE PROGRAM SHOULD INCLUDE OBSERVATIONS FOR VIBRATION AND ANY RESULTING LOOSENING OF CONNECTING HARDWARE OR DAMAGE TO THE STRUCTURE.

ANCHOR ROD INSTALLATION DETAIL

ALL ANCHOR ROD NUTS (TOP & LEVELING NUTS) SHALL BE TIGHTENED TO A SNUG TIGHT CONDITION. TOP NUTS SHALL BE ROTATED, WITH THE LEVELING NUT SECURED AN ADDITIONAL 1/3 TURN FOR ANCHOR RODS 1.5 INCHES OR LESS IN DIAMETER & AN ADDITIONAL 1/6 TURN FOR ANCHOR ROD DIAMETERS GREATER THAN 1.5 INCHES.

BOLT INSTALLATION DETAILS

1. INSTALLATION OF BOLTS: BOLTS FOR TOWERS AND ANTENNAS SHALL BE INSTALLED WITH THE NUTS FACING TO THE OUTSIDE AND/OR TO THE TOP OF THE TOWER, UNLESS PROHIBITED BY LACK OF CLEARANCE.
2. TIGHTENING OF BOLTS: ALL HIGH STRENGTH BOLTS SHALL BE TIGHTENED TO A SNUG-TIGHT CONDITION, AS DEFINED BY AISC.
3. NUT LOCKING DEVICE: ALL NUTS SHALL BE EQUIPPED WITH SOME TYPE OF NUT LOCKING DEVICE. SEE THE INDIVIDUAL DRAWINGS FOR THE TYPE OF NUT LOCKING DEVICE TO BE USED FOR EACH INDIVIDUAL APPLICATION.

UNLESS OTHERWISE SPECIFIED ALL DIMENSIONS INCLUDE FINISHES AND ARE IN INCHES
TOLERANCES: FRACTIONS ± 1/16"
ANGLES ± 1/2 DEG.
DECIMALS ± .010"

MATERIAL:
TOLERANCES DO NOT APPLY TO RAW MATERIAL



CONFIDENTIAL
This document and the information contained herein is the confidential trade secret property of Sabre Industries, Inc. ("Sabre") and must not be reproduced, copied or used, in whole or in part, for any purpose without the prior written consent of Sabre.
© 2025 Sabre Industries, Inc. All rights reserved.

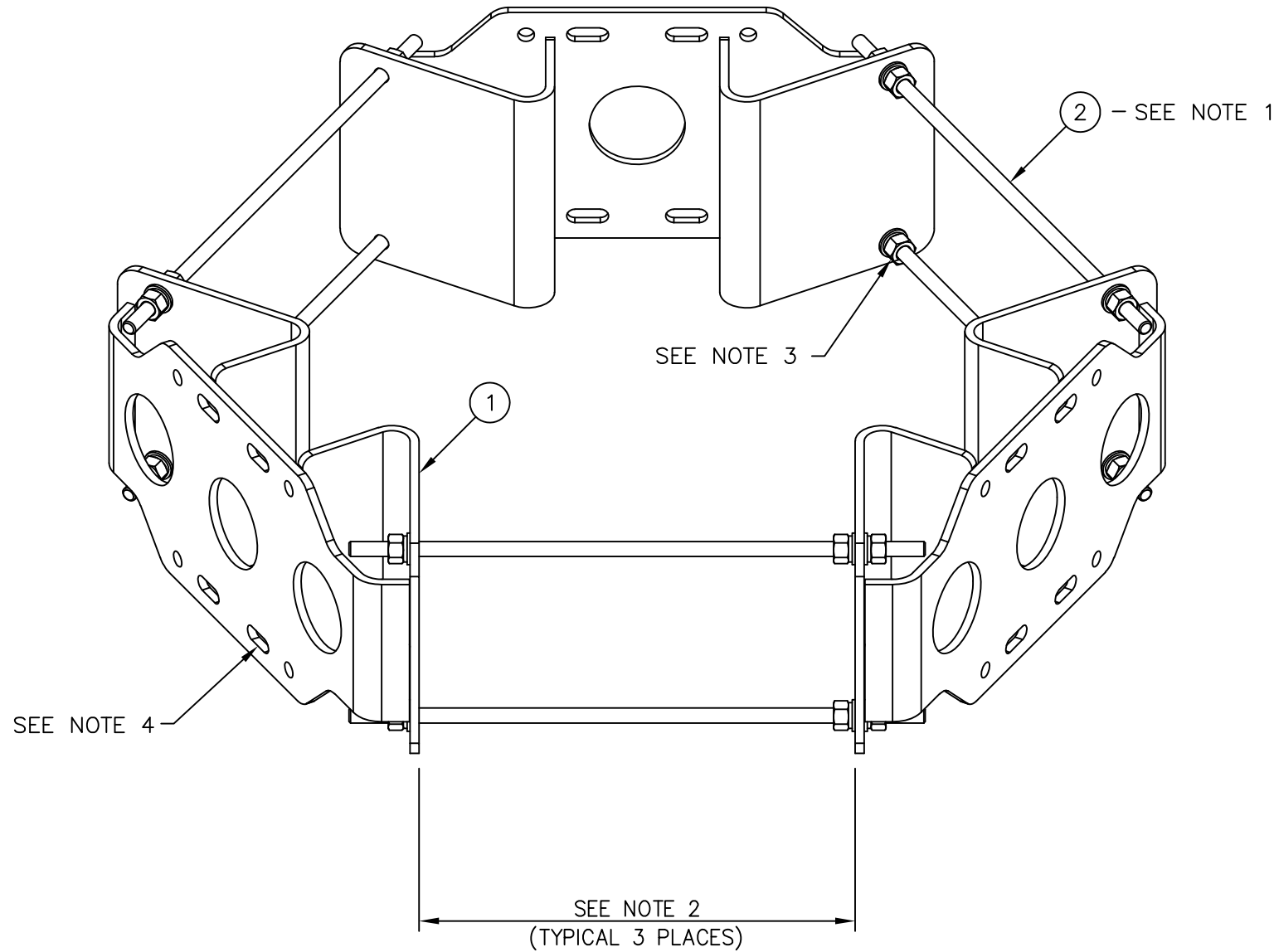
MOTOROLA ISPO
LEE'S SUMMIT JOF, MO
120.00 MONOPOLE

JOB 569487	SIZE B	DRAWING NO. 569487-MM	REV 0
DATE 11/26/25	DRAWN BY PSB	SCALE N.T.S.	PAGE 1 of 1
CHECKED BY MLC	26-2169-RSS-R2 OPT. 2		

Rev	DATE	DRW/CHK	DESCRIPTION

C10112377 TRI-COLLAR ASSEMBLY (10"-40" MONOPOLE)

ITEM	QTY.	PART. NO.	DESCRIPTION	WEIGHT
1.	3	CW01324	WELDMNT, TRI-COLLAR (10"-40" MONOPOLE)	166
2.	6	C40094027	THREADED ROD ASSEMBLY 5/8 X 2'-9"	19
			TOTAL WEIGHT	185



ISOMETRIC VIEW

NOTES:

1. THREADED ROD MAY BE SHORTENED IF REQUIRED, FIELD CUT AND COLD GALV SPRAY TO SUIT.
2. THIS DISTANCE MUST BE EQUAL IN ALL (3) LOCATIONS TO ENSURE THE STRUCTURAL INTEGRITY OF THE THREADED RODS AS WELL AS 120° SEPARATION.
3. ONLY (1) NUT AND (1) LOCKWASHER IS NEEDED BETWEEN THE WELDMENTS (AT ONE INSIDE END ONLY) OF EACH THREADED ROD ASSEMBLY.
4. THE MOUNTING SLOTS NOTED WILL ACCOMMODATE 2 3/8"-4 1/2" O.D. MOUNTING PIPES.



UNLESS OTHERWISE SPECIFIED ALL DIMENSIONS INCLUDE FINISHES AND ARE IN INCHES		MATERIAL:	
TOLERANCES: FRACTIONS ± 1/16" ANGLES ± 1/2 DEG. DECIMALS ± .010"		TOLERANCES DO NOT APPLY TO RAW MATERIAL	
REV	DATE	DRW/CHK	DESCRIPTION
3	10/09/23	FJM/EK	ITEM 2 WAS C40094012, REVISED NOTES & REMOVED INSIDE NUT & WASHER
2	07/07/23	KLE/DLW	REVISED NOTES AND DELETED ITEM 3 (C40094002)
1	07/16/18	JKW/WJ	REVISED NOTES



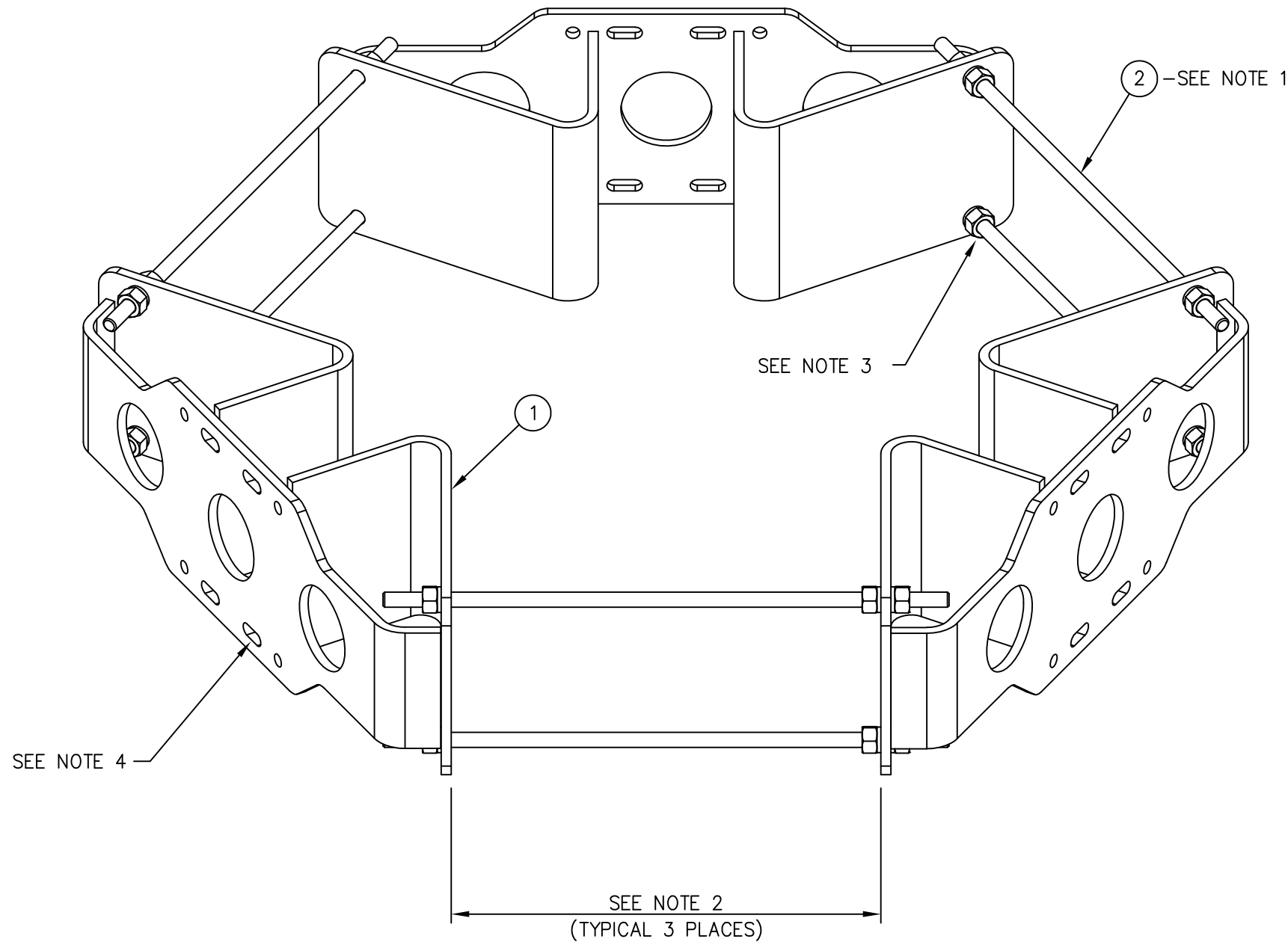
CONFIDENTIAL
This document and the information contained herein is the confidential trade secret property of Sabre Industries, Inc. ("Sabre") and must not be reproduced, copied or used, in whole or in part, for any purpose without the prior written consent of Sabre.
© 2023 Sabre Industries, Inc. All rights reserved.

TRI-COLLAR BRACKET ASSEMBLY
FOR MONOPOLES (10"-40" DIA.)
(CIRCUMFERENCE 31.4" TO 125.7")

DATE	04/15/16	SIZE	B	DRAWING NO.	C10112377	REV	3
DRAWN BY	WRF	SCALE		PAGE			
CHECKED BY	KLE	None		1 OF 1			

C10112378 TRI-COLLAR ASSEMBLY (12"-60" MONOPOLE)

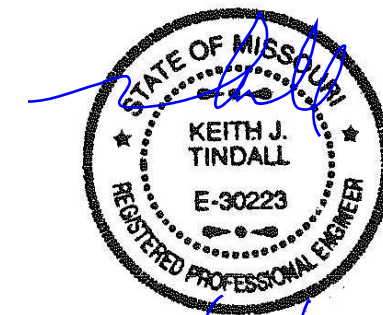
ITEM	QTY.	PART. NO.	DESCRIPTION	WEIGHT
1.	3	CW01334	WELDMENT, TRI-COLLAR (12"-60" MONOPOLE)	330
2.	6	C40094030	THREADED ROD ASSEMBLY 3/4 X 4'-4"	42
TOTAL WEIGHT				372



ISOMETRIC VIEW

NOTES:

1. THREADED ROD MAY BE SHORTENED IF REQUIRED, FIELD CUT AND COLD GALV SPRAY TO SUIT.
2. THIS DISTANCE MUST BE EQUAL IN ALL (3) LOCATIONS TO ENSURE THE STRUCTURAL INTEGRITY OF THE THREADED RODS AS WELL AS 120° SEPARATION.
3. ONLY (1) NUT AND (1) LOCKWASHER IS NEEDED BETWEEN THE WELDMENTS (AT ONE INSIDE END ONLY) OF EACH THREADED ROD ASSEMBLY.
4. THE MOUNTING SLOTS NOTED WILL ACCOMMODATE 2 3/8"-4 1/2" O.D. MOUNTING PIPES.



1/13/26

UNLESS OTHERWISE SPECIFIED
ALL DIMENSIONS INCLUDE
FINISHES AND ARE IN INCHES
TOLERANCES: FRACTIONS ± 1/16"
ANGLES ± 1/2 DEG.
DECIMALS ± .010"

MATERIAL:
TOLERANCES DO NOT APPLY
TO RAW MATERIAL



TRI-COLLAR BRACKET ASSEMBLY
FOR MONOPOLES (12"-60" DIA.)
(CIRCUMFERENCE 37.7" TO 188.5")

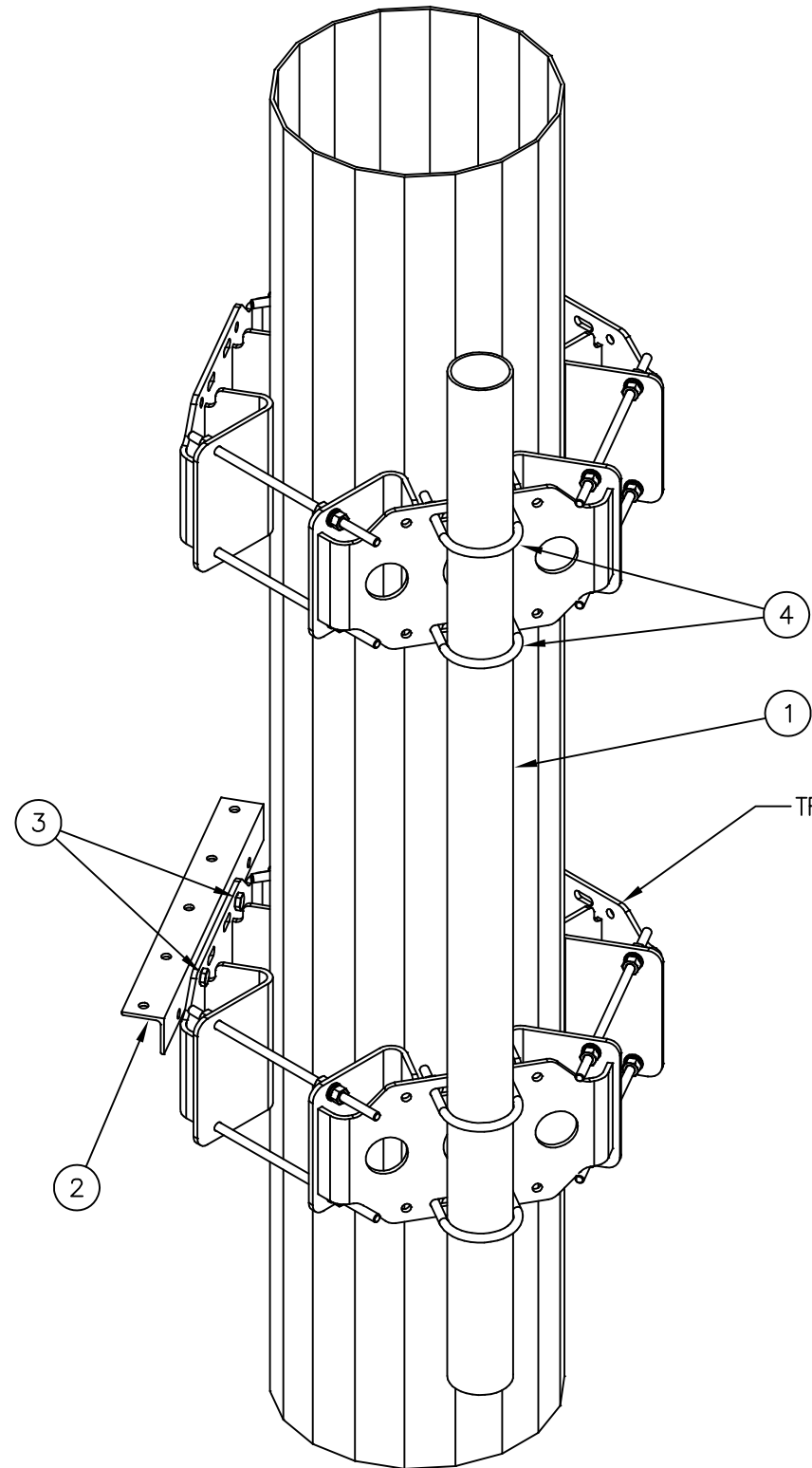
REV	DATE	DRW/CHK	DESCRIPTION
2	10/09/23	FJM/EK	ITEM 2 WAS C40094010, REVISED NOTES & REMOVED INSIDE NUT & WASHER
1	07/07/23	KLE/DLW	REVISED NOTES

CONFIDENTIAL
This document and the information contained herein is the confidential trade secret property of Sabre Industries, Inc. ("Sabre") and must not be reproduced, copied or used, in whole or in part, for any purpose without the prior written consent of Sabre.
© 2023 Sabre Industries, Inc. All rights reserved.

DATE	SIZE	DRAWING NO.	REV
12/08/16	B	C10112378	2
DRAWN BY	CHECKED BY	SCALE	PAGE
WRF	KE	None	1 OF 1

C10117008 PIPE MOUNT

ITEM	QTY.	PART NO.	DESCRIPTION	WEIGHT
1.	1	C10901407	SUPPORT PIPE, 4 1/2" O.D. X 0.237 X 7'-0	79
2.	1	CS00079	ANGLE, STRUT BRACKET	11
3.	2	C40026024	BOLT ASSEMBLY, 5/8"φ X 2 1/4 A325	1
4.	4	C40034032	U-BOLT ASSEMBLY, 5/8"φ X 5 3/16 C/C	9
TOTAL WEIGHT				100



TRI-COLLAR MOUNTS ARE SHOWN TYPICAL AND MUST BE PURCHASED SEPARATELY.



1/13/26

NOTES:

1. CONNECT MICROWAVE STRUT TO TIE BACK CLIP. CONTACT SABRE IF ADDITIONAL PARTS ARE REQUIRED.
2. IF LOCKING CABLE GUIDES ARE REQUIRED, THEY MUST BE PURCHASED SEPARATELY (SEE PAGE 2).

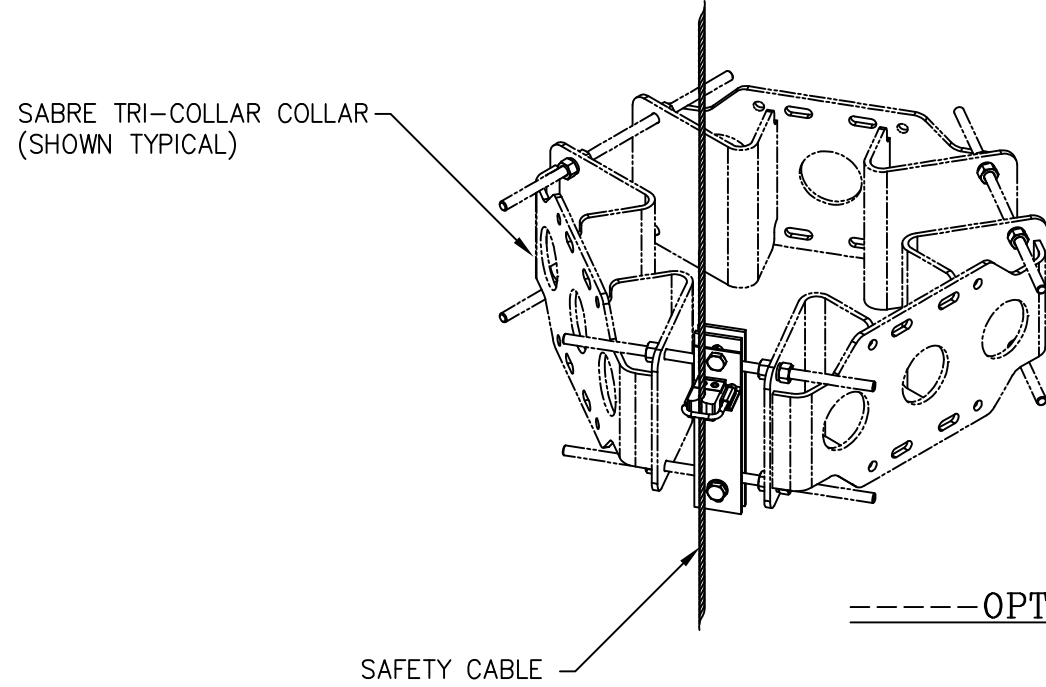
ISOMETRIC VIEW

UNLESS OTHERWISE SPECIFIED ALL DIMENSIONS INCLUDE FINISHES AND ARE IN INCHES		MATERIAL:				PIPE MOUNT 8 FT. TO 10 FT. DISH FOR MONOPOLES				
TOLERANCES: FRACTIONS ± 1/16" ANGLES ± 1/2 DEG. DECIMALS ± .010"		TOLERANCES DO NOT APPLY TO RAW MATERIAL								
				CONFIDENTIAL This document and the information contained herein is the confidential trade secret property of Sabre Communications Corporation ("Sabre") and must not be reproduced, copied or used, in whole or in part, for any purpose without the prior written consent of Sabre. © 2014 Sabre Communications Corporation. All rights reserved.		DATE	6/1/00	SIZE	DRAWING NO.	REV
						DRAWN BY	KLE	B	C10117008	3
						CHECKED BY	BCT			
								None	1 OF 2	

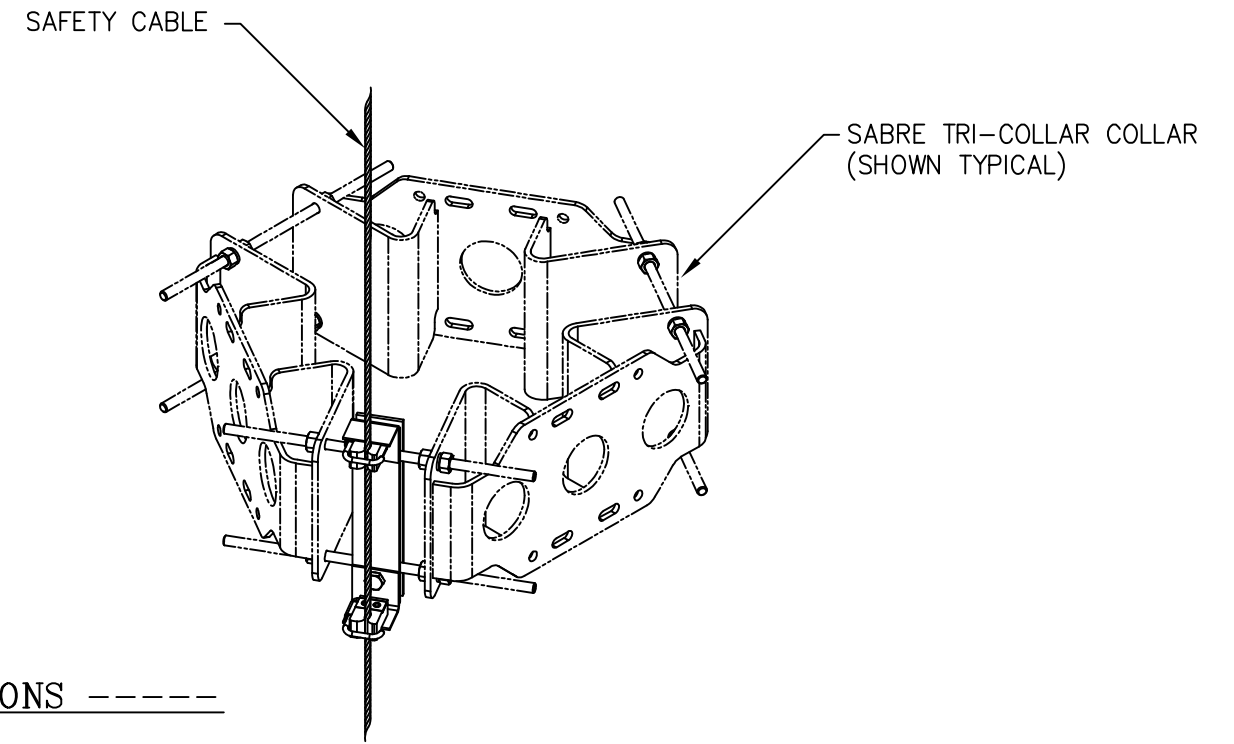
REV	DATE	DRW	CHK	DESCRIPTION
3	08/26/24	FJM	DLW	REVISED ITEM 1 (WAS C10981407), UPDATED ISO VIEW & ADDED CABLE GUIDE MOUNTING OPTIONS
2	01/15/09	MLC	MC	REVISED PIPE (ITEM 1)
1	07/07/06	WMN	WRF	ADDED ISOMETRIC VIEW

OPTIONAL LOCKING CABLE GUIDE

IF REQUIRED PLEASE ORDER THE APPROPRIATE KIT BELOW TO FIT YOUR INDIVIDUAL FIELD NEEDS.

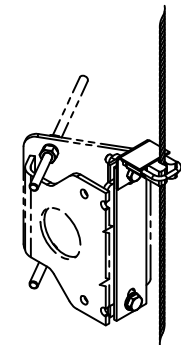
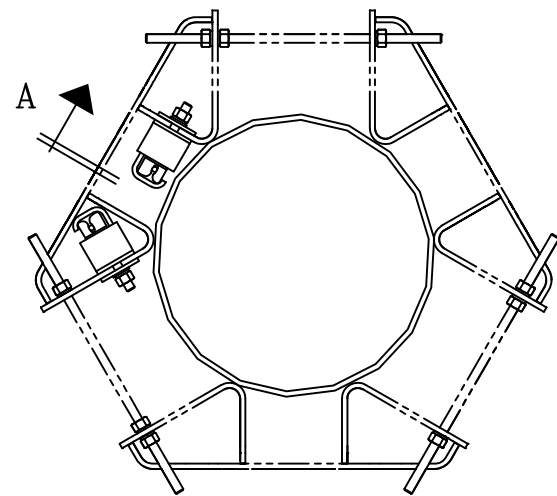


KIT C30017031



KIT C30017032

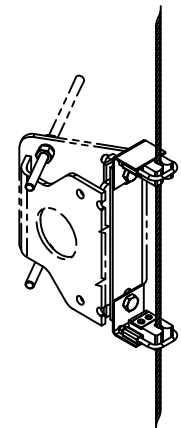
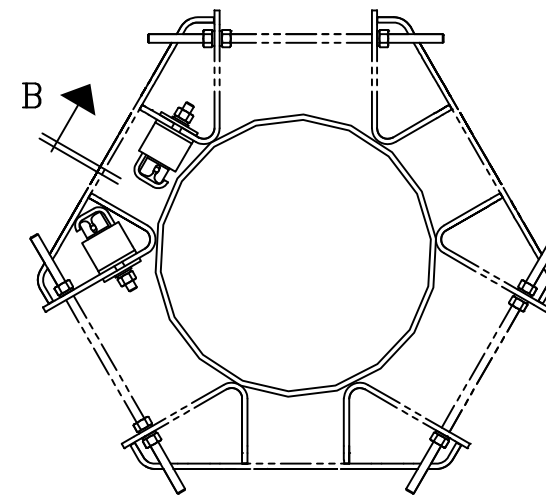
-----OPTIONAL CABLE GUIDE MOUNTING OPTIONS -----



VIEW A-A



1/13/26



VIEW B-B

NOTE

OTHER ADDITIONAL CABLE GUIDE SUPPORTS MAY BE REQUIRED ABOVE AND BELOW COLLARS SO THAT CABLE ALIGNMENT IS WITHIN REQUIRED LIMITS.

UNLESS OTHERWISE SPECIFIED ALL DIMENSIONS INCLUDE FINISHES AND ARE IN INCHES		MATERIAL:	
TOLERANCES: FRACTIONS ± 1/16" ANGLES ± 1/2 DEG. DECIMALS ± .010"		TOLERANCES DO NOT APPLY TO RAW MATERIAL	
REV	DATE	DRW/CHK	DESCRIPTION
3	08/26/24	FJM/DLW	REVISED ITEM 1 (WAS C10981407), UPDATED ISO VIEW & ADDED CABLE GUIDE MOUNTING OPTIONS
2	01/15/09	MLC/MC	REVISED PIPE (ITEM 1)
1	07/07/06	WMN/WRF	ADDED ISOMETRIC VIEW



CONFIDENTIAL
This document and the information contained herein is the confidential trade secret property of Sabre Communications Corporation ("Sabre") and must not be reproduced, copied or used, in whole or in part, for any purpose without the prior written consent of Sabre.
© 2014 Sabre Communications Corporation. All rights reserved.

PIPE MOUNT
8 FT. TO 10 FT. DISH
FOR MONOPOLES

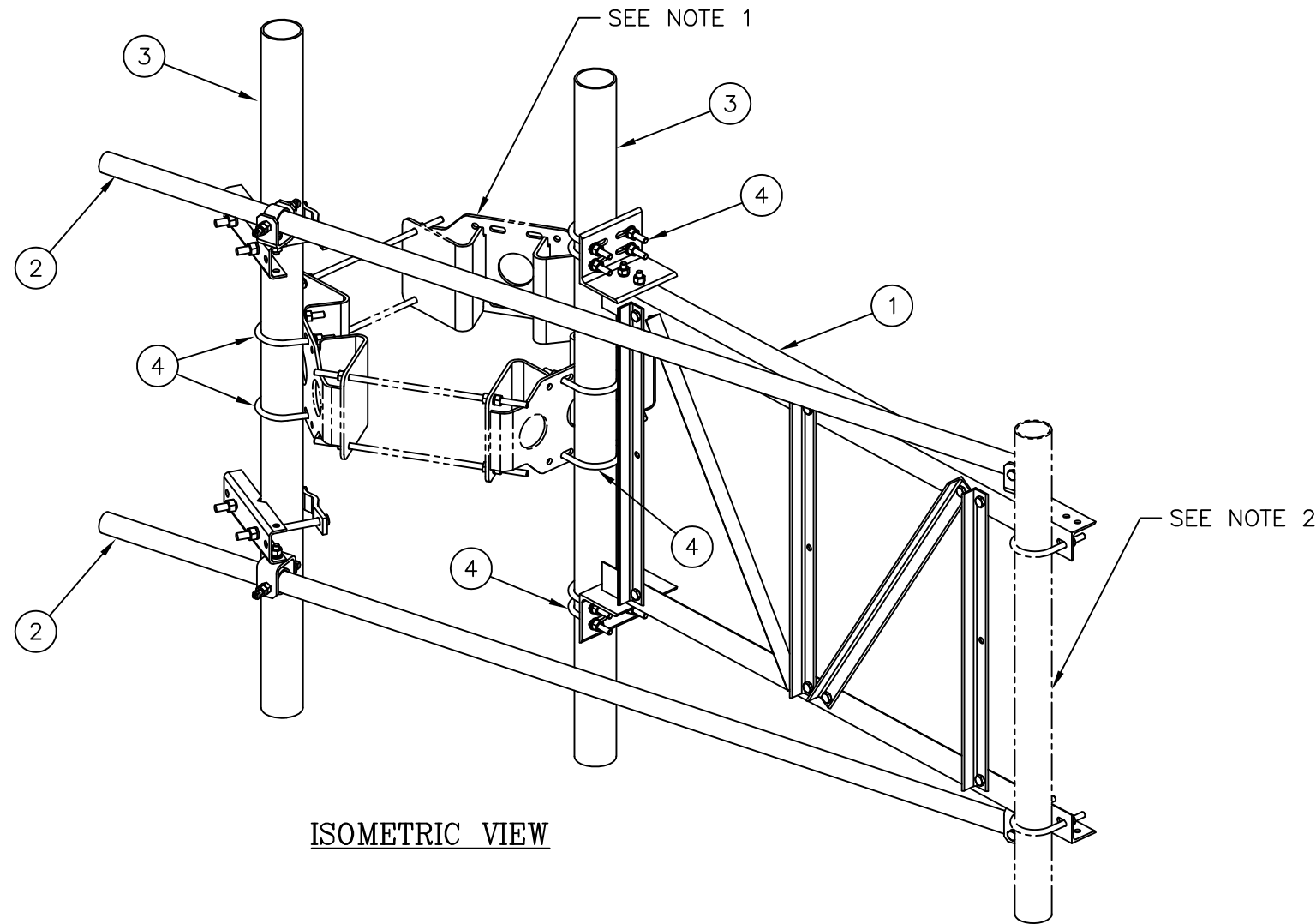
DATE	6/1/00	SIZE	B	DRAWING NO.	C10117008	REV	3
DRAWN BY	KLE	CHECKED BY	BCT	SCALE	None	PAGE	2 OF 2

C10119106C 6 FT. SIDEARM W/(2) TIEBACKS

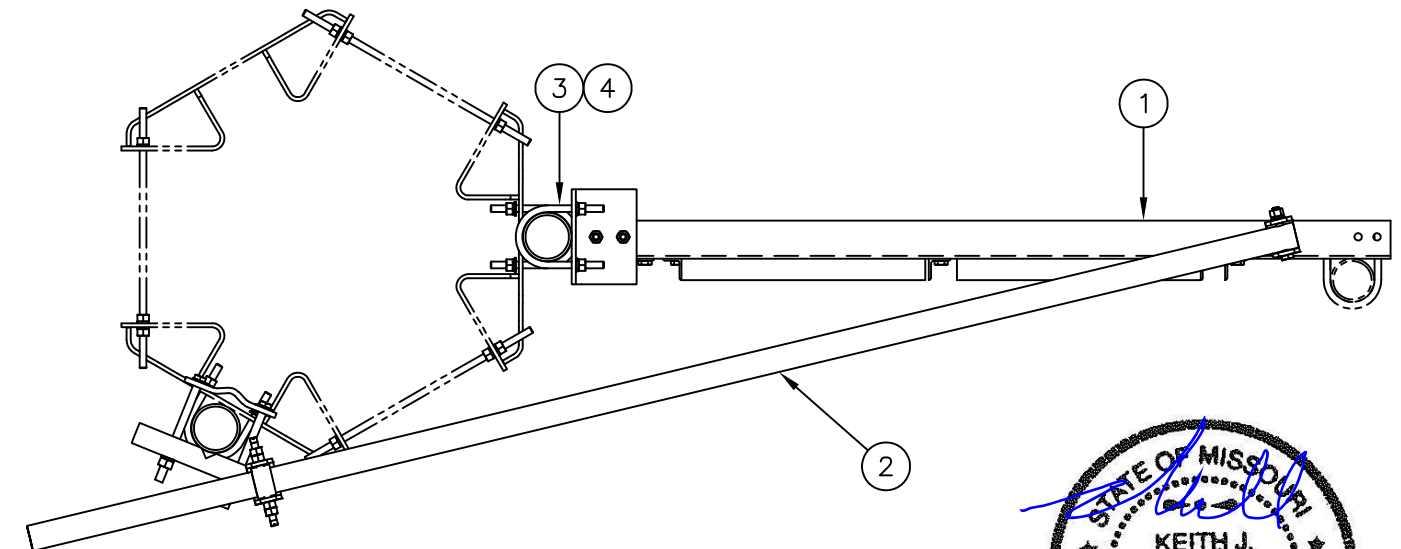
ITEM	QTY.	PART NO.	DESCRIPTION	WEIGHT
1.	1	C10151106	6 FT. SIDEARM ASSEMBLY	144
2.	2	C10179001	SWIVEL KNUCKLE TIEBACK ASSEMBLY	130
3.	2	C10901405	PIPE, 4 1/2"Ø X .237 X 5'-3"	118
4.	8	C40034032	U-BOLT ASSEMBLY, 5/8" X 5 3/16" C-C	17
TOTAL WEIGHT				409

NOTES:

1. SEE DRAWING C10151106 FOR INSTALLATION OF 6 FT. SIDEARM ASSEMBLY.
2. SEE DRAWING C10179001 FOR INSTALLATION OF SWIVEL KNUCKLE TIEBACK ASSEMBLY.
3. TRI-COLLAR MOUNTS ARE SHOWN TYPICAL AND MUST BE ORDERED SEPARATELY.
4. 2 3/8" THRU 4" O.D. MOUNTING PIPE & U-BOLTS MUST BE PURCHASED SEPERATELY.
5. QUANTITIES SHOWN ARE FOR ONE (1) SIDEARM ONLY.



ISOMETRIC VIEW



PLAN VIEW



UNLESS OTHERWISE SPECIFIED
ALL DIMENSIONS INCLUDE
FINISHES AND ARE IN INCHES
TOLERANCES: FRACTIONS ± 1/16"
ANGLES ± 1/2 DEG.
DECIMALS ± .010"

MATERIAL:
TOLERANCES DO NOT APPLY
TO RAW MATERIAL



6 FT. SIDEARM W/(2) TIEBACKS
FOR MONOPOLES
(FOR MTG. PIPES 2 3/8" O.D. THRU 4" O.D.)

REV	DATE	DRW/CHK	DESCRIPTION

CONFIDENTIAL
This document and the information
contained herein is the confidential trade
secret property of Sabre Industries, Inc.
("Sabre") and must not be reproduced,
copied or used, in whole or in part,
for any purpose without the prior written
consent of Sabre.
© 2024 Sabre Industries, Inc. All rights
reserved.

DATE	06/18/24	SIZE	B	DRAWING NO.	C10119106C	REV	0
DRAWN BY	FJM	SCALE	None	PAGE	1 OF 1		
CHECKED BY	DLW						

C10151106

C10151106 6 FT. SIDEARM ASSEMBLY

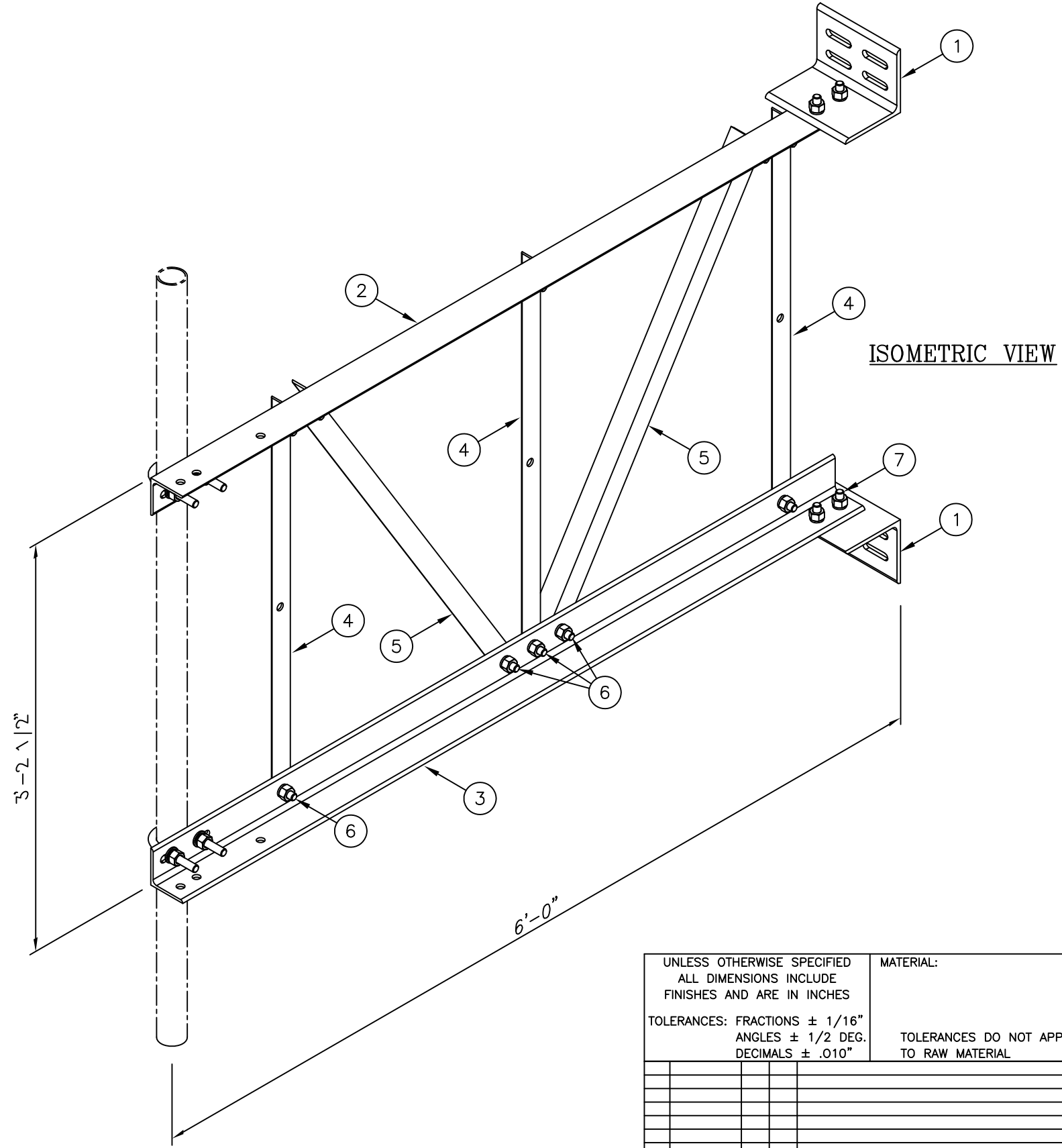
(1)	CK00061	SIDEARM ANGLE KIT	138
(1)	---	MISC HARDWARE (FRAMING)	6
TOTAL WEIGHT			144

CK00061 KIT LIST OF MATERIAL

ITEM	QTY.	PART NO.	DESCRIPTION	WEIGHT
1.	2	CS00067	ANGLE, BOOM SUPPORT	23
2.	1	CS01225	ANGLE, TOP CHORD	37
3.	1	CS01226	ANGLE, BOTTOM CHORD	37
4.	3	CS00065	ANGLE, VERTICAL	23
5.	2	CS01228	ANGLE, DIAGONAL	18
TOTAL WEIGHT				138

MISC HARDWARE (FRAMING)

ITEM	QTY.	PART NO.	DESCRIPTION	WEIGHT
6.	10	C40026022	BOLT ASSEMBLY, 5/8 ϕ X 1 3/4 A325	4
7.	4	C40026023	BOLT ASSEMBLY, 5/8 ϕ X 2 A325	2
TOTAL WEIGHT				6



NOTES:

- 2 3/8" O.D. THRU 4" O.D. MOUNTING PIPE & U-BOLTS MUST BE PURCHASED SEPARATELY.
- QUANTITIES SHOWN ARE FOR ONE (1) SIDEARM ONLY.

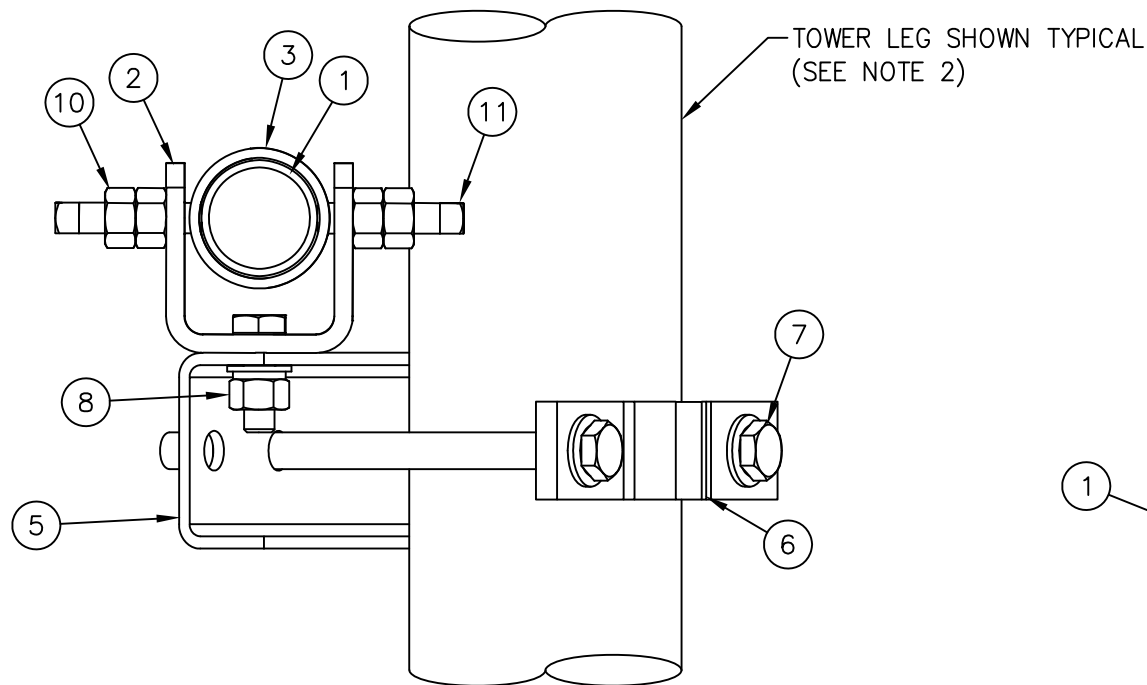
UNLESS OTHERWISE SPECIFIED ALL DIMENSIONS INCLUDE FINISHES AND ARE IN INCHES		MATERIAL:	
TOLERANCES: FRACTIONS $\pm 1/16"$ ANGLES $\pm 1/2$ DEG. DECIMALS $\pm .010"$		TOLERANCES DO NOT APPLY TO RAW MATERIAL	
1	11/10/06	WRF	WMN
REV	DATE	DRW	CHK



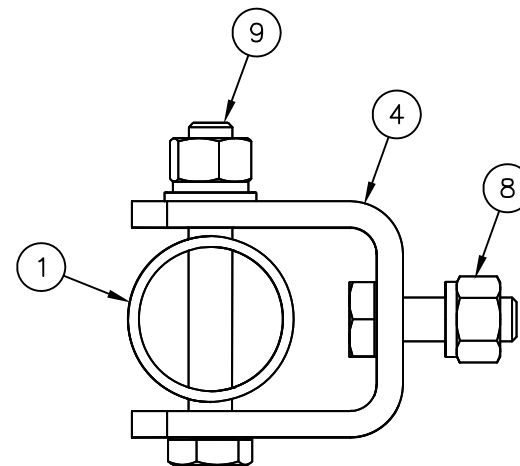
CONFIDENTIAL
This document and the information contained herein is the confidential trade secret property of Sabre Communications Corporation ("Sabre") and must not be reproduced, copied or used, in whole or in part, for any purpose without the prior written consent of Sabre.
© 2013 Sabre Communications Corporation. All rights reserved.

6 FT. SIDEARM
(FOR MTG. PIPES 2 3/8" O.D. THRU 4" O.D.)

DATE	12/19/05	SIZE	DRAWING NO.	REV
DRAWN BY	TLH/RWM			
CHECKED BY	RWM	None	C10151106	1
		SCALE	PAGE	
		None	1 OF 1	



SECTION A-A

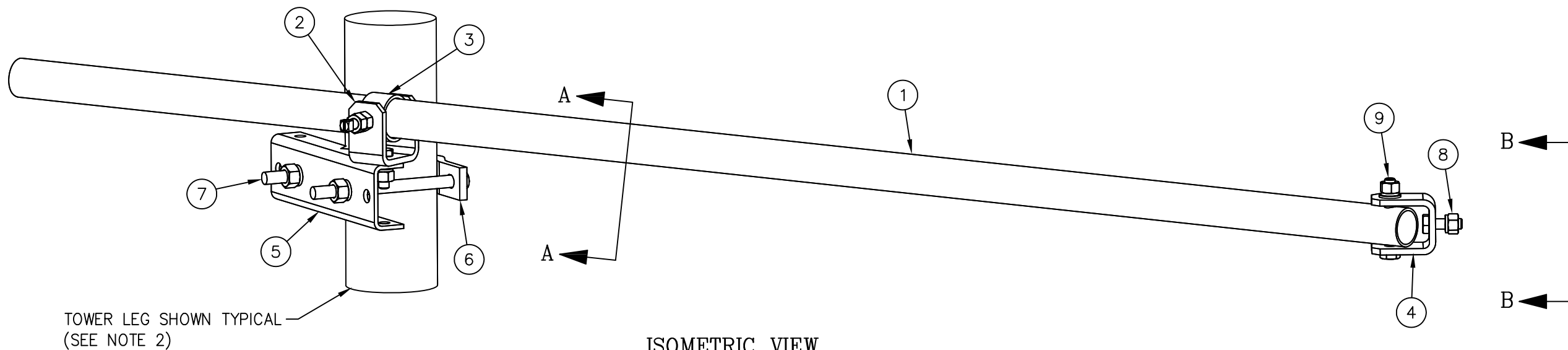


SECTION B-B

C10179001 SWIVEL KNUCKLE TIEBACK ASSEMBLY				
ITEM	QTY.	PART NO.	DESCRIPTION	WEIGHT
1.	1	CS03333	PIPE, 2 3/8" O.D. X 0.154 X 10'-0	38
2.	1	CW00013	SWIVEL PLATE WELDMENT	3
3.	1	CS00097	PIPE, 2 7/8" O.D. X 0.203 X 0'-1 3/4	1
4.	1	CS00098	BENT SWIVEL PLATE	3
5.	1	CS01360	PLATE, MOUNTING BRACKET (FORMED CHANNEL)	9
6.	1	CS01361	PLATE, 2 HOLE ADAPTER CLAMP	3
7.	2	C40140001	BOLT ASSEMBLY, 3/4 X 10 A307 W/NUT, LKW, FLW	4
8.	2	C40026023	BOLT ASSEMBLY, 5/8 X 2 A325	1
9.	1	C40026033	BOLT ASSEMBLY, 5/8 X 4 1/2 A325	1
10.	2	C40042007	HEX NUT, 5/8 A194 2H	1
11.	2	C40998007	SQ. HEAD SET SCREW, 5/8 X 2 1/2	1
TOTAL WEIGHT				65

NOTES:

- QUANTITIES SHOWN IN LISTS OF MATERIAL ARE FOR ONE (1) SWIVEL KNUCKLE TIBACK ONLY.
- THIS SWIVEL KNUCKLE TIEBACK KIT WILL MOUNT TO THE FOLLOWING:
 - 1 1/2"φ TO 5 9/16"φ ROUND LEG
 - L 2 1/2 X 2 1/2 TO L 4 X 4 ANGLE LEG



ISOMETRIC VIEW



UNLESS OTHERWISE SPECIFIED ALL DIMENSIONS INCLUDE FINISHES AND ARE IN INCHES		MATERIAL:	
TOLERANCES: FRACTIONS ± 1/16" ANGLES ± 1/2 DEG. DECIMALS ± .010"		TOLERANCES DO NOT APPLY TO RAW MATERIAL	
REV	DATE	DRW/CHK	DESCRIPTION
4	09/17/24	FJM/DLW	REVISED ITEM 1 (WAS CS02099)
3	08/06/09	MLC/MC	REVISED WALL THICKNESS ON ITEM 1
2	01/07/09	MLC/MC	REVISED ITEM 1
1	12/01/06	MLC/MC	REVISED NOTE 2

Sabre Industries™
Towers and Poles

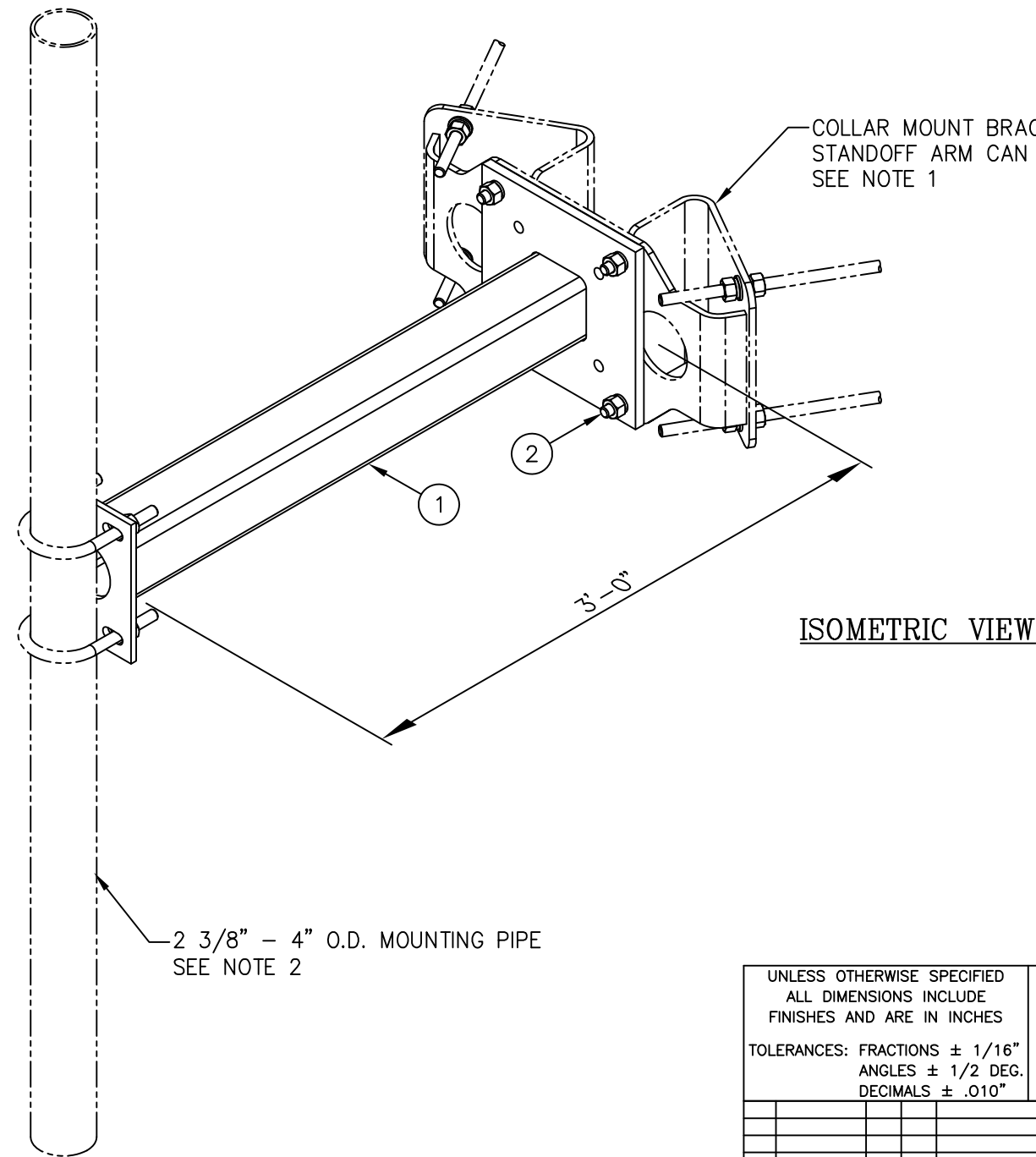
CONFIDENTIAL

This document and the information contained herein is the confidential trade secret property of Sabre Communications Corporation ("Sabre") and must not be reproduced, copied or used, in whole or in part, for any purpose without the prior written consent of Sabre.
© 2007 Sabre Communications Corporation. All rights reserved.

SWIVEL KNUCKLE TIEBACK ASSEMBLY (2 3/8"φ PIPE X 10'-0")			
DATE	10/12/06	SIZE	B
DRAWN BY	MLC	DRAWING NO.	C10179001
CHECKED BY	MC	SCALE	None
		PAGE	1 OF 1
		REV	4

C10114003 3'-0" STANDOFF ARM

ITEM	QTY.	PART NO.	DESCRIPTION	WEIGHT
1.	1	CW00525	WELDMNT, 3'-0" STANDOFF ARM	63
2.	4	C40026024	BOLT ASSEMBLY, 5/8 ϕ X 2 1/4 A325	2
			TOTAL WEIGHT	65



COLLAR MOUNT BRACKET SHOWN PARTIAL FOR TYPICAL STANDOFF ARM INSTALLATION. STANDOFF ARM CAN BE MOUNTED TO EITHER A TRI-COLLAR OR QUAD-COLLAR MOUNT ASSEMBLY. SEE NOTE 1



2 3/8" - 4" O.D. MOUNTING PIPE
SEE NOTE 2

NOTES:

1. COLLAR MOUNTS ARE SHOWN TYPICAL AND MUST BE PURCHASED SEPARATELY.
2. 2 3/8" TO 4" O.D. MOUNTING PIPE & U-BOLTS MUST BE PURCHASED SEPARATELY.
3. QUANTITIES SHOWN ARE FOR ONE (1) STANDOFF ARM.

UNLESS OTHERWISE SPECIFIED ALL DIMENSIONS INCLUDE FINISHES AND ARE IN INCHES		MATERIAL:				3'-0" STANDOFF ARM				
TOLERANCES: FRACTIONS $\pm 1/16"$ ANGLES $\pm 1/2$ DEG. DECIMALS $\pm .010"$		TOLERANCES DO NOT APPLY TO RAW MATERIAL								
				CONFIDENTIAL This document and the information contained herein is the confidential trade secret property of Sabre Communications Corporation ("Sabre") and must not be reproduced, copied or used, in whole or in part, for any purpose without the prior written consent of Sabre. © 2019 Sabre Communications Corporation. All rights reserved.		DATE	07/11/06	SIZE	DRAWING NO.	REV
						DRAWN BY	WRF	B	C10114003	2
REV	DATE	DRW	CHK	DESCRIPTION	CHECKED BY	DLW	SCALE	None	PAGE	1 OF 1
2	05/04/23	FJM	DLW	CHANGED ISOMETRIC VIEW AND NOTE 1						
1	03/26/19	WRF	DLW	BOLTS WERE 5/8 X 2 1/2 (C40026025)						

LIST OF MATERIAL

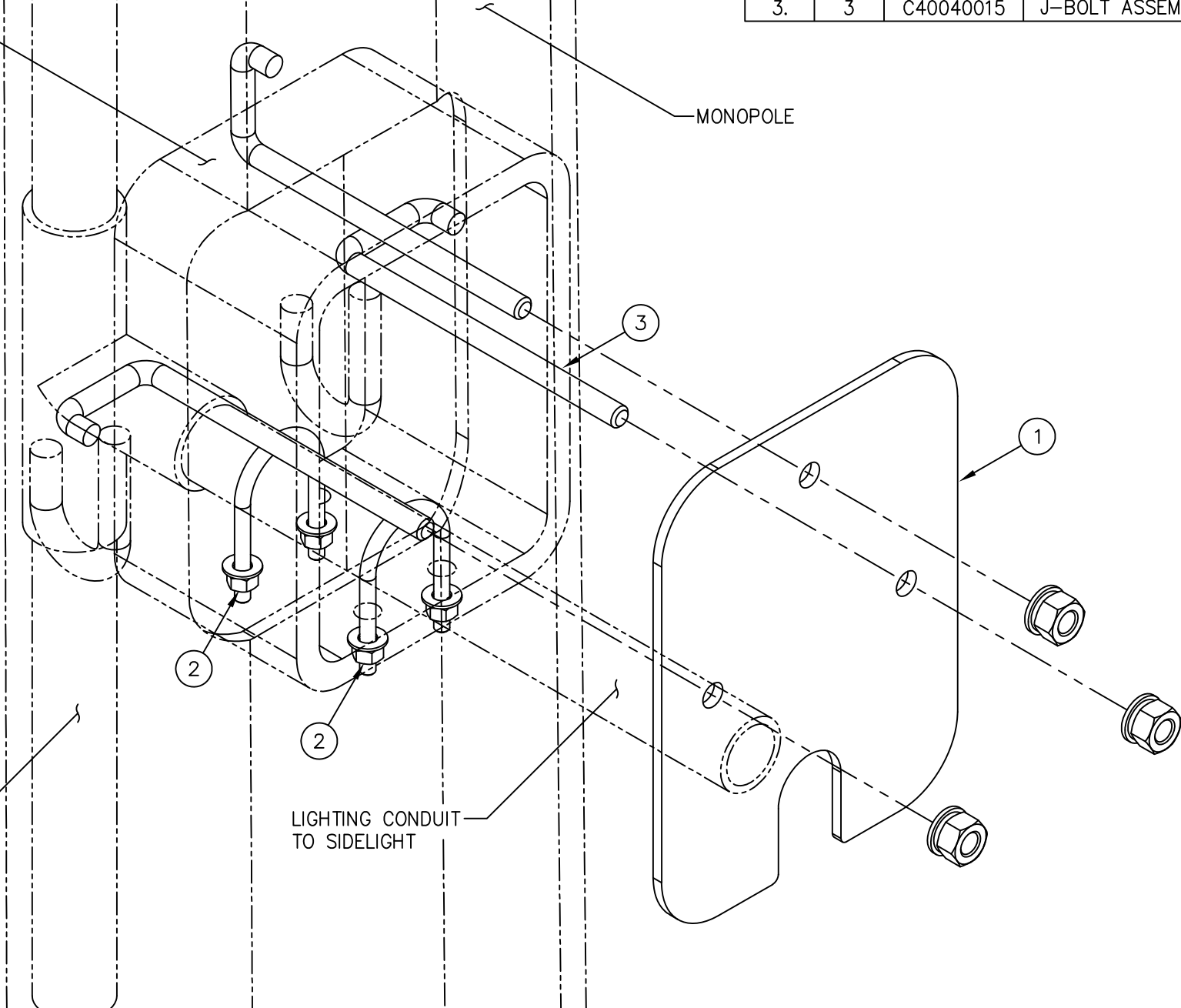
ITEM	QTY.	PART NO.	DESCRIPTION	WEIGHT
1.	1	CS02868	SIDELIGHT ACCESS PORT COVER PLATE	3
2.	2	Z40998074	U-BOLT ASSEMBLY, 1/4 Ø X 1 5/8 C/C	1
3.	3	C40040015	J-BOLT ASSEMBLY, 3/8 Ø X 6 1/8 I.L.	1
TOTAL WEIGHT				5

8 X 6 ACCESS PORT

MONOPOLE

LIGHTING CONDUIT

LIGHTING CONDUIT TO SIDELIGHT



1/13/26

UNLESS OTHERWISE SPECIFIED
ALL DIMENSIONS INCLUDE
FINISHES AND ARE IN INCHES
TOLERANCES: FRACTIONS ± 1/16"
ANGLES ± 1/2 DEG.
DECIMALS ± .010"

MATERIAL:
TOLERANCES DO NOT APPLY
TO RAW MATERIAL



SIDELIGHT INSTALLATION DETAIL
FOR MONOPOLES
(FOR 3/4" AND 1" CONDUITS)

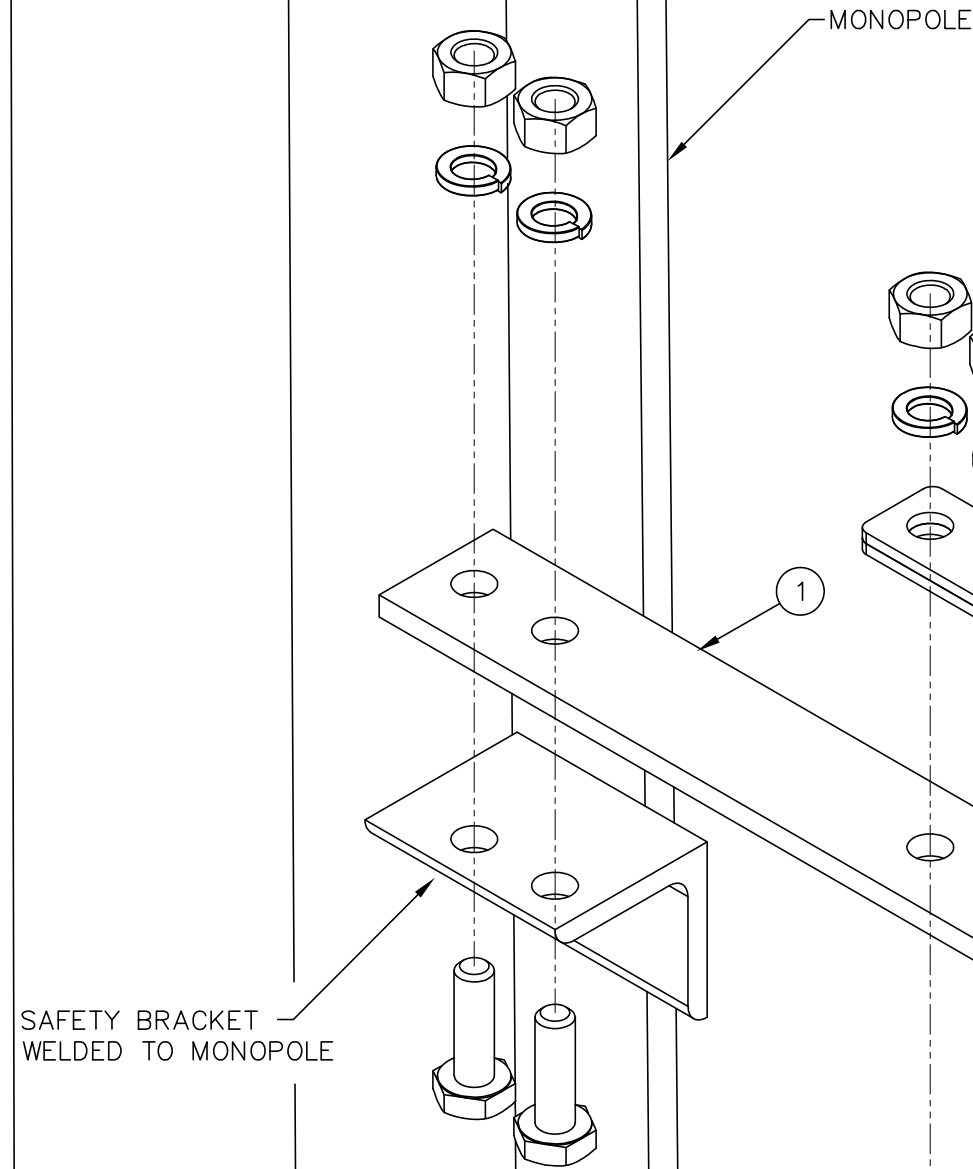
REV	DATE	DRW/CHK	DESCRIPTION

CONFIDENTIAL
This document and the information
contained herein is the confidential trade
secret property of Sabre Communications
Corporation ("Sabre") and must not be
reproduced, copied or used, in whole or in
part, for any purpose without the prior
written consent of Sabre.
© 2014 Sabre Communications Corporation.
All rights reserved.

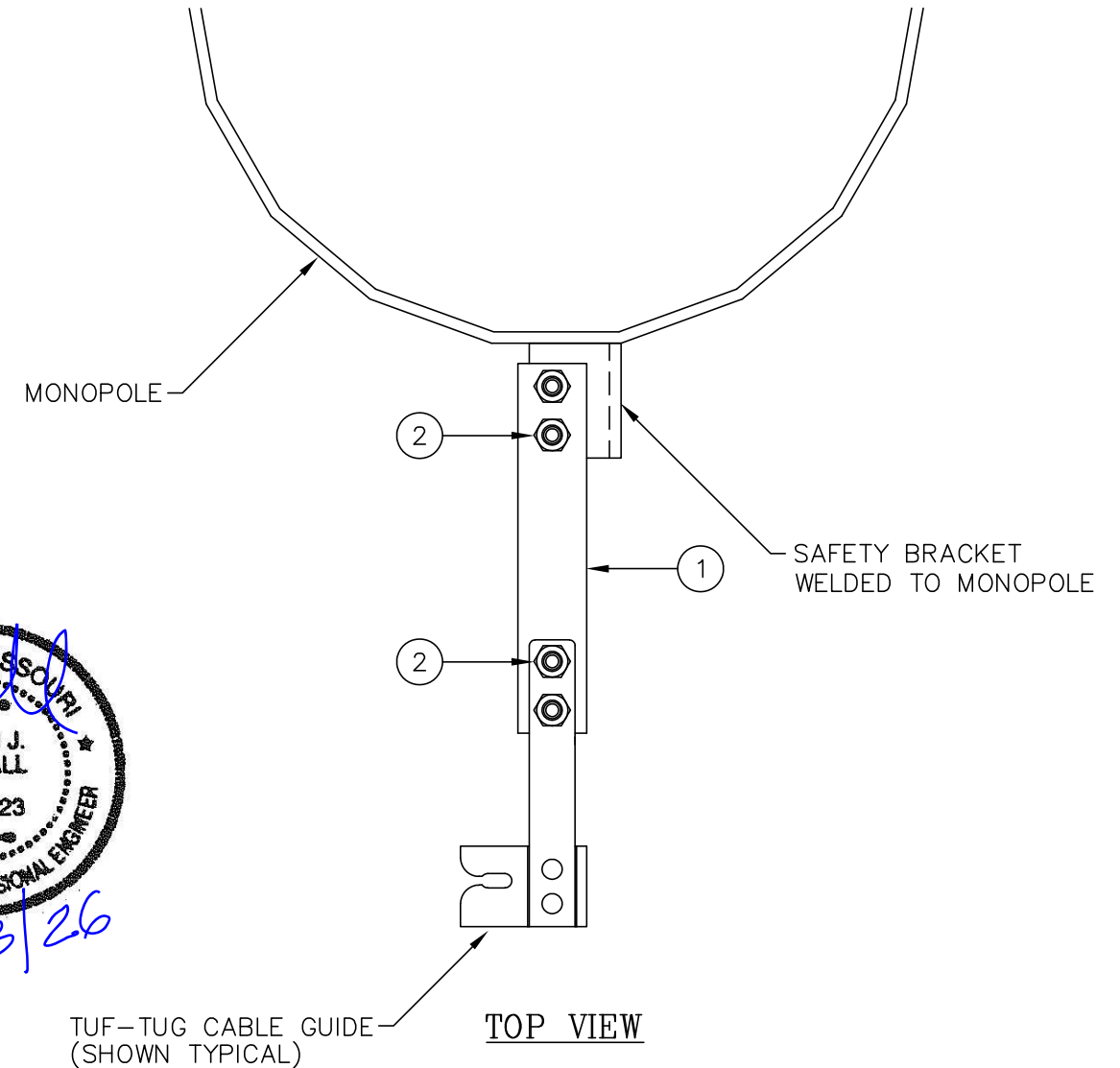
DATE	06/08/12	SIZE	B	DRAWING NO.	C30002002	REV	0
DRAWN BY	WRF	SCALE	None	PAGE	1	OF	1
CHECKED BY	KLE						

C30012089 CABLE GUIDE EXTENSION LIST OF MATERIAL

ITEM	QTY.	PART NO.	DESCRIPTION	WEIGHT
1.	1	MS03799	SAFETY CLIMB CABLE GUIDE EXTENSION PLATE	2
2.	4	C40024003	BOLT ASSEMBLY, 3/8 Ø X 1 1/4 GR5 (FULL THREAD)	1
			TOTAL WEIGHT	3



EXPLODED VIEW



TOP VIEW



SAFETY BRACKET
WELDED TO MONOPOLE

UNLESS OTHERWISE SPECIFIED
ALL DIMENSIONS INCLUDE
FINISHES AND ARE IN INCHES
TOLERANCES: FRACTIONS ± 1/16"
ANGLES ± 1/2 DEG.
DECIMALS ± .010"

MATERIAL:
TOLERANCES DO NOT APPLY
TO RAW MATERIAL



CABLE GUIDE
SAFETY CLIMB EXTENSION
FOR TUF-TUG SAFETY DEVICE

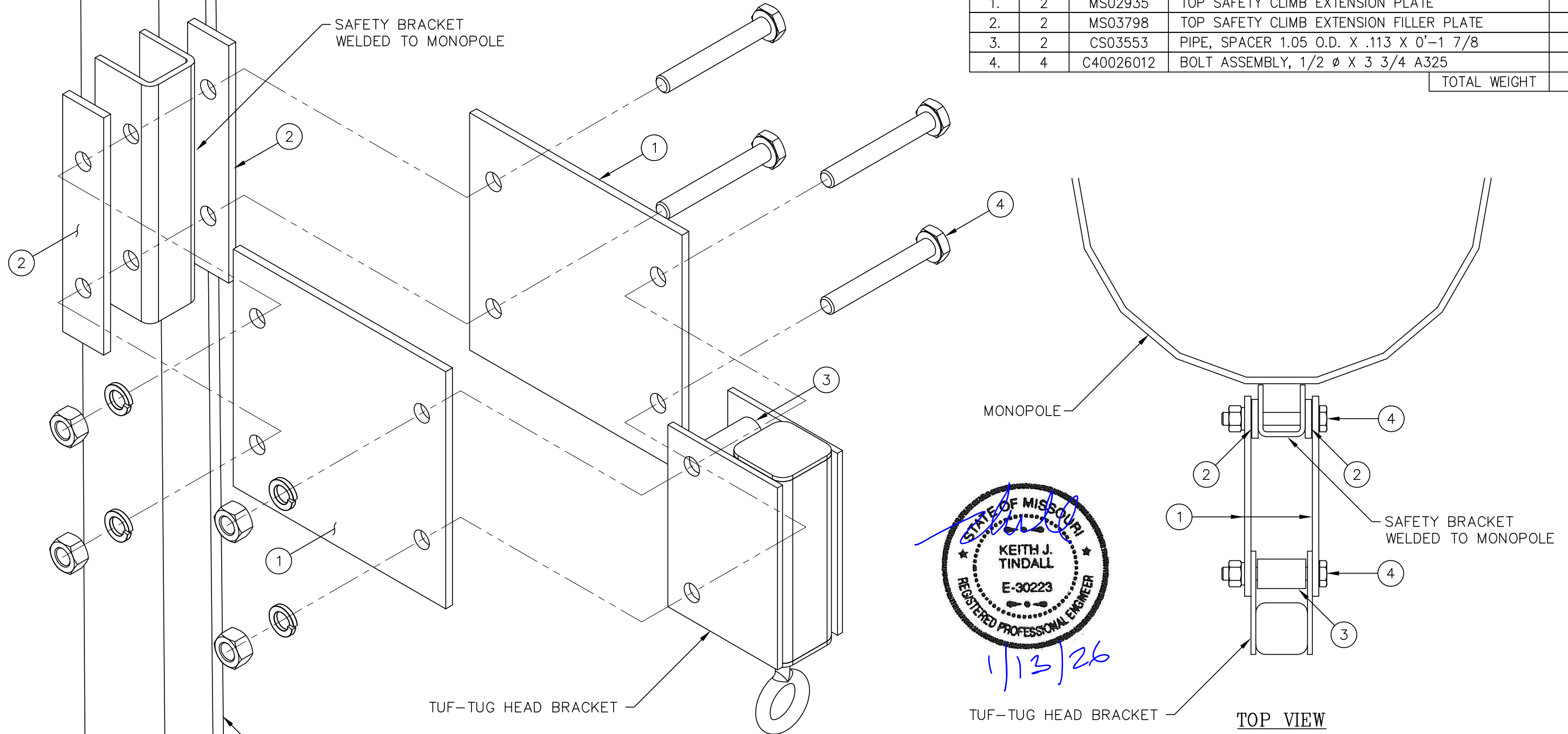
REV	DATE	DRW/CHK	DESCRIPTION

CONFIDENTIAL
This document and the information contained herein is the confidential trade secret property of Sabre Communications Corporation ("Sabre") and must not be reproduced, copied or used, in whole or in part, for any purpose without the prior written consent of Sabre.
© 2018 Sabre Communications Corporation. All rights reserved.

DATE	2/22/18	SIZE	B	DRAWING NO.	C30012089	REV	0
DRAWN BY	JKW	SCALE	None	PAGE	1	OF	1
CHECKED BY	WJ						

C30012088 TOP BRACKET EXTENSION LIST OF MATERIAL

ITEM	QTY.	PART NO.	DESCRIPTION	WEIGHT
1.	2	MS02935	TOP SAFETY CLIMB EXTENSION PLATE	9
2.	2	MS03798	TOP SAFETY CLIMB EXTENSION FILLER PLATE	2
3.	2	CS03553	PIPE, SPACER 1.05 O.D. X .113 X 0'-1 7/8	1
4.	4	C40026012	BOLT ASSEMBLY, 1/2 ϕ X 3 3/4 A325	2
TOTAL WEIGHT				14



1/13/26

UNLESS OTHERWISE SPECIFIED ALL DIMENSIONS INCLUDE FINISHES AND ARE IN INCHES
 TOLERANCES: FRACTIONS $\pm 1/16"$
 ANGLES $\pm 1/2$ DEG.
 DECIMALS $\pm .010"$

MATERIAL:
 TOLERANCES DO NOT APPLY TO RAW MATERIAL



CONFIDENTIAL
 This document and the information contained herein is the confidential trade secret property of Sabre Communications Corporation ("Sabre") and must not be reproduced, copied or used, in whole or in part, for any purpose without the prior written consent of Sabre.
 © 2018 Sabre Communications Corporation. All rights reserved.

TOP BRACKET
 SAFETY CLIMB EXTENSION
 FOR TUF-TUG SAFETY DEVICE

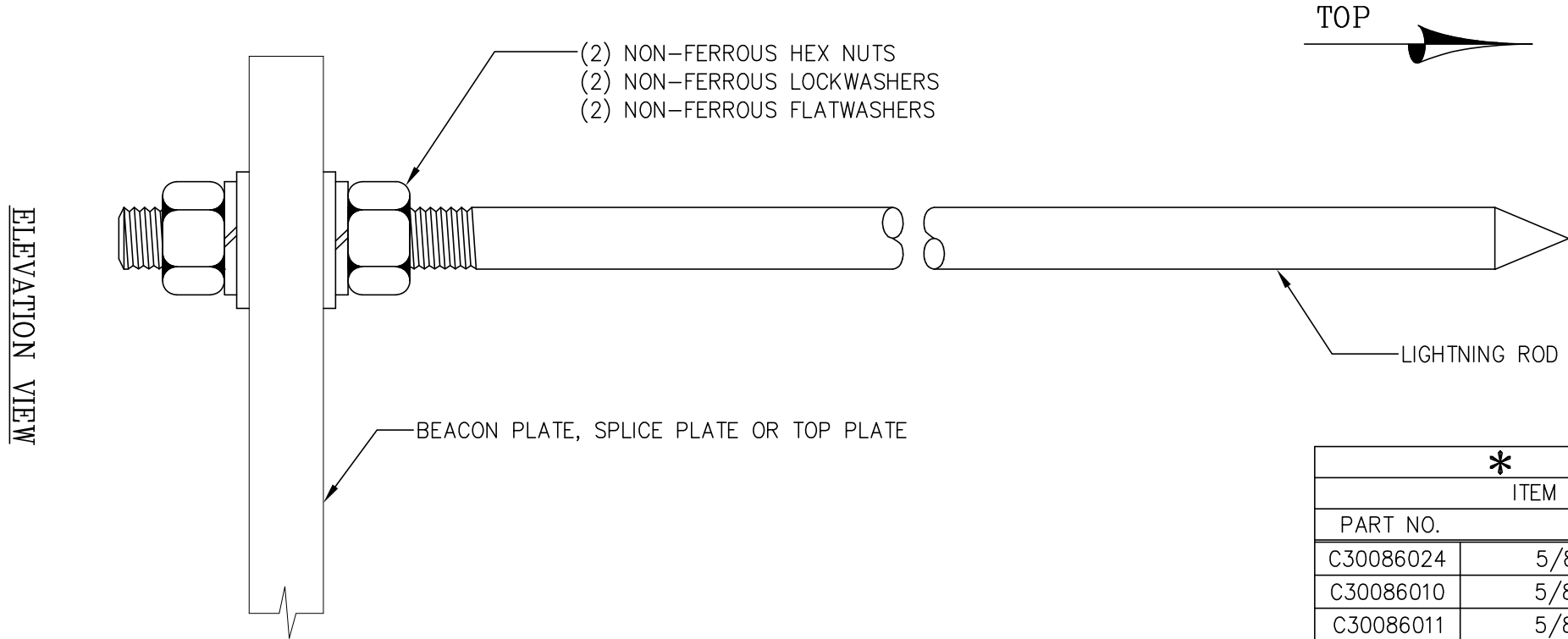
REV	DATE	DRW/CHK	DESCRIPTION

DATE	2/22/18	SIZE	B	DRAWING NO.	C30012088	REV	0
DRAWN BY	JKW	SCALE	None	PAGE	1	OF	1
CHECKED BY	WJ						

EXPLODED VIEW

TOP VIEW

LIST OF MATERIAL				
ITEM	QTY.	PART NO.	DESCRIPTION	WEIGHT
1.	1	* *	LIGHTNING ROD W/(2) NUT, LKW, FLW	* *



* *	
ITEM 1	
PART NO.	SIZE
C30086024	5/8"φ X 1'-0"
C30086010	5/8"φ X 2'-0"
C30086011	5/8"φ X 3'-0"
C30086001	5/8"φ X 4'-0"
* C30086008	5/8"φ X 4'-0"
▶ C30086022	5/8"φ X 4'-0"
C30086005	5/8"φ X 5'-0"
C30086006	5/8"φ X 6'-0"
C30086002	5/8"φ X 8'-0"
C30086007	3/4"φ X 6'-0"
C30086003	3/4"φ X 8'-0"
C30086004	3/4"φ X 10'-0"

* THIS LIGHTNING ROD IS STAINLESS STEEL.
▶ THIS LIGHTNING ROD IS GALVANIZED.



UNLESS OTHERWISE SPECIFIED ALL DIMENSIONS INCLUDE FINISHES AND ARE IN INCHES		MATERIAL:	
TOLERANCES: FRACTIONS ± 1/16" ANGLES ± 1/2 DEG. DECIMALS ± .010"		TOLERANCES DO NOT APPLY TO RAW MATERIAL	
10	12/22/15	KTW WTK	REMOVED 5/8"φ X 12'-0" LIGHTNING ROD.
9	08/19/15	LRS ZAK	ADDED 5/8"φ X 1' LIGHTNING ROD
8	06/16/15	PSB KTW	ADDED GALVANIZED 5/8"φ X 4' LIGHTNING ROD
7	6/6/07	DPJ JPD	ADDED STAINLESS STEEL 5/8"φ LIGHTNING ROD
6	09/20/06	KMM CE	ADDED 5/8"φ X 2' LIGHTNING ROD OPTION
5	4/28/05	CHH HHC	ADDED 5/8"φ X 3' LIGHTNING ROD OPTION
4	3/12/04	CHH CE	UPDATED LIST OF MATERIAL
3	06/18/03	RGF FGR	ADDED 5/8 X 12 FT LIGHTNING ROD OPTION
2	04/02/03	JKW RWM	ADDED 5/8"φ X 8'-0" LIGHTNING ROD OPTION.
1	8/19/02	CHH ZAK	CHANGED PART NO'S. TO CATALOG.
REV	DATE	DRW CHK	DESCRIPTION

Sabre Industries™
INNOVATION DELIVERED

CONFIDENTIAL

This document and the information contained herein is the confidential trade secret property of Sabre Industries, Inc. ("Sabre") and must not be reproduced, copied or used, in whole or in part, for any purpose without the prior written consent of Sabre.

© 2022 Sabre Industries, Inc. All rights reserved.

TYPICAL LIGHTNING ROD INSTALLATION			
DATE	1/15/02	SIZE	B
DRAWN BY	TLH	DRAWING NO.	9025689
CHECKED BY	CE	SCALE	None
		PAGE	1 OF 1
		REV	10



CUSTOMER : MOTOROLA ISPO
SITE : LEE'S SUMMIT JOF, MO
B.O.M. 120 FT. MONOPOLE

PC=PIECE
 PLT=PALLET
 BDL=BUNDLE
 CRT=CRATE
 D=DRUM
 BX=BOX
 OR=ORANGE
 WH=WHITE
 O/W=OR & WH
 N/R=NOT REQ'D
 SP=SPECIAL

PACKING

ITEM NO.	NO. REQ'D.	DRAWING		PART NO.	DESCRIPTION	TOTAL WEIGHT LBS.	PAINT	KIT	QTY OF PKG'S	PKG. NO.
		NUMBER	REV							
1					ANCHOR BOLTS AND TEMPLATES					
2	2			569487-9001	ANCHOR BOLT TEMPLATES (W\ 50.25" BOLT CIRCLE)	96				
3	18			C40041059	1-1/4" X 5'-3" (ASTM F1554 GRADE 105) OR EQUAL	488				
4					SECTIONS					
5	1			MR5694870110	21'-6" TOP SECTION	1707	G			
6	1			MR5694870120	53'-6" MID SECTION	5072	G			
7	1			MR5694870130	53'-3" BOTTOM SECTION W\ BASE	8527	G			
8					SAFETY CLIMB					
9	1			C30012033	SAFETY-CLIMB-SYSTEM-SELECT-KIT 150'	60				
10	2			C30012089	SAFETY CLIMB EXTENSION KIT	6				
11	1			C30012088	SAFETY CLIMB EXTENSION KIT	14				
12					CLIMBING SYSTEM					
13	8			C40011014	STEP BOLT ANCHOR BRACKET, 45° FORMED YELLOW	6				
14	280			C40044017	STEP BOLT 5/8" X 7"	280				
15					OBSTRUCTION LIGHT MATERIAL					
16	3			C30002002	LIGHT-SIDELIGHT MOUNT	15				
17					MOUNTS					
18	10			C10112377	TRI-COLLAR MOUNT 10"-40" POLE DIAMETER	2080				
19	1			C10112378	TRI-COLLAR MOUNT 12"-60" POLE DIAMETER	366				
20	3			C10117008	DISH-MOUNT-MONO (8' & 10')	237				



1/13/26

REV	DATE	DRW	CHK	DESCRIPTION	DATE	11/26/25	JOB NO.	569487
					DRAWN BY	PSB	PRINT NO.	BOM-1
					CHECKED BY	MLC	PAGE	1 OF 2



CUSTOMER : MOTOROLA ISPO
SITE : LEE'S SUMMIT JOF, MO
B.O.M. 120 FT. MONOPOLE

PC=PIECE
 PLT=PALLET
 BDL=BUNDLE
 CRT=CRATE
 D=DRUM
 BX=BOX
 OR=ORANGE
 WH=WHITE
 O/W=OR & WH
 N/R=NOT REQ'D
 SP=SPECIAL

PACKING

ITEM NO.	NO. REQ'D.	DRAWING		PART NO.	DESCRIPTION	TOTAL WEIGHT LBS.	PAINT	KIT	QTY OF PKG'S	PKG. NO.
		NUMBER	REV							
1					MOUNTS CONT'D					
2	2			C10119106C	SIDE-ARM-MONOPOLE-6'	794				
3	3			C10114003	STANDOFF-ARM-3'	189				
4	1			C10900104	PIPE ANTENNA MOUNTING KIT 2-3/8" X 4'-0"	19				
5	1			C10900105	PIPE ANTENNA MOUNTING KIT 2-3/8" X 5'-0"	22				
6	2			C10900110	PIPE ANTENNA MOUNTING KIT 2-3/8" X 10'-0"	83				
7	2			C10900115	PIPE ANTENNA MOUNTING KIT 2-3/8" X 15'-0"	120				
8					GROUNDING					
9	1			C30086001	LIGHTNING ROD CCS 5/8" X 4'	5				
10					MISCELLANEOUS					
11	2			C30136003	8.5" X 12.5" X 0.1875PL ACCESS COVER (GALV)	13				
12	13			C30136002	6.5" X 12.5" X 0.1875PL ACCESS COVER (GALV)	66				
13	3			C30136001	11" X 26" X 0.1875PL ACCESS COVER (GALV)	49				
14	1			C30170014	TOP COVER KIT 24" TO 28"	96				
15	1			C40068001	13OZ CAN OF COLD GALV SPRAY	1				
16	1			CS00500	NAME PLATE	1				
17										
18										
19										
20										



11/3/26

REV	DATE	DRW	CHK	DESCRIPTION	DATE	11/26/25	JOB NO.	569487
					DRAWN BY	PSB	PRINT NO.	BOM-1
					CHECKED BY	MLC	PAGE	2 OF 2