

sabre

SO 569487

NOTICE

ALL PARTS ARE TO BE INVENTORIED AND ANY SHORTAGES REPORTED
WITHIN 48 HOURS OF DELIVERY TO THE CONTRACTING ERECTOR.
SHORTAGES REPORTED AFTER THIS TIME PERIOD
WILL BE CHARGED TO THE CONTRACTOR.
CALL 712-258-6690 TO REACH THE SABRE CONTRACTS DEPARTMENT.



AVISO

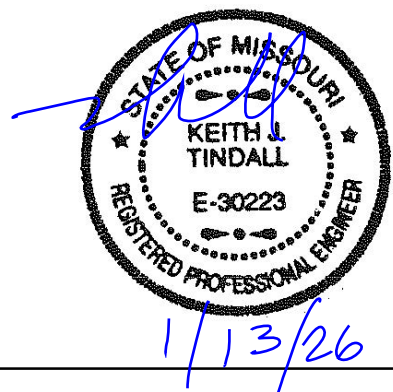
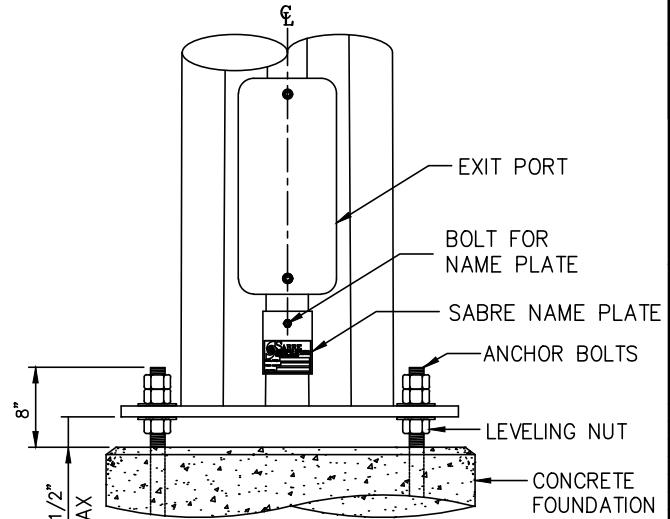
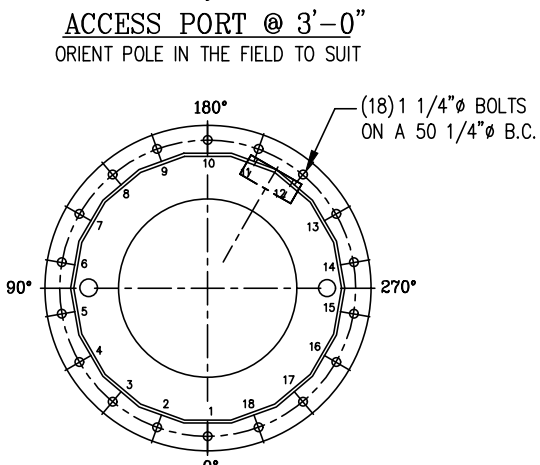
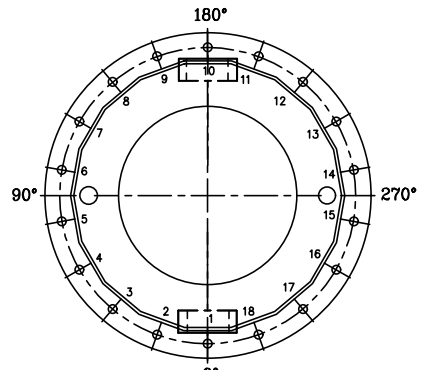
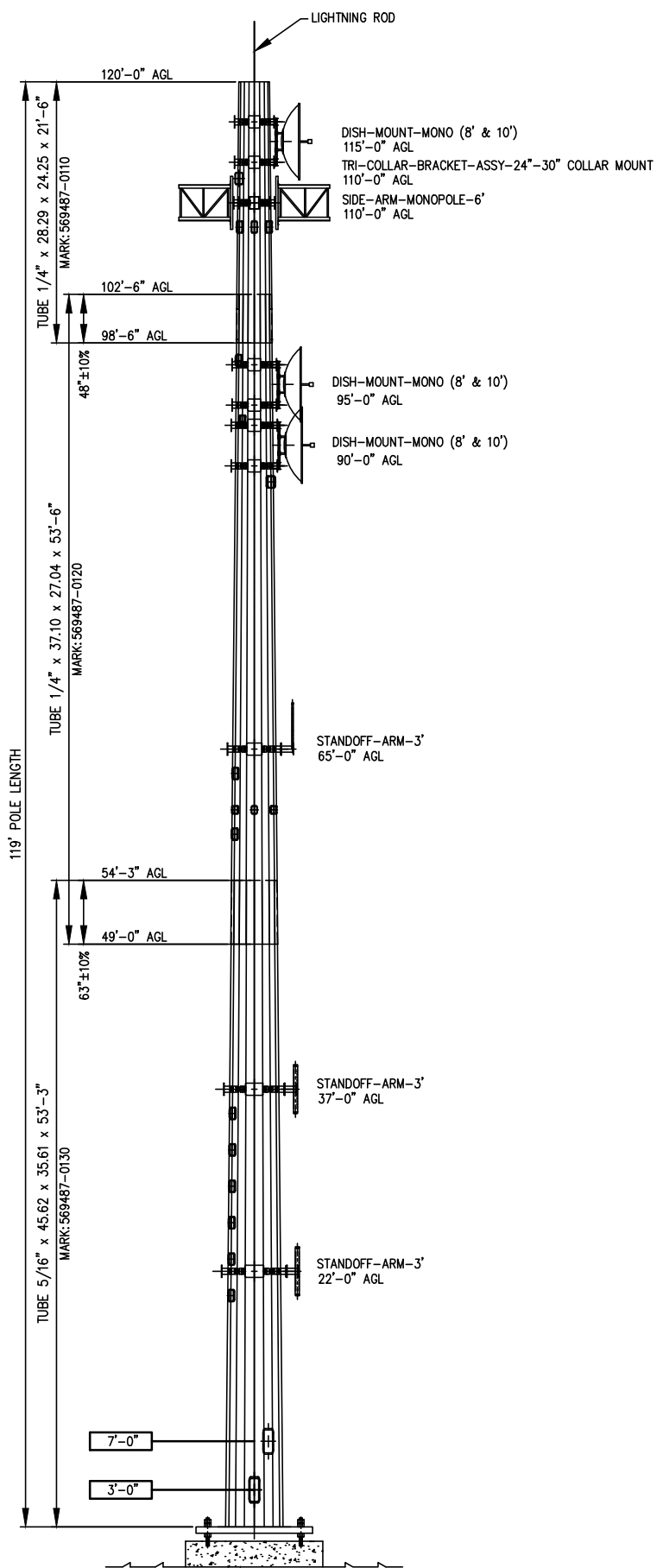
TODAS LAS PARTES SERAN INVENTARIADAS Y LOS FALTANTES REPORTADOS POR EL CONTRATISTA
DENTRO DE LAS 48 HORAS A PARTIR DE LA ENTREGA.
LOS FALTANTES REPORTADOS DESPUES DE 48 HORAS SERAN CARGADOS AL CONTRATISTA.
PARA ACLARACIONES LLAME A:
SABRE-DEPARTAMENTO DE CONTRATACIONES
(001) 712 258-6690

NOTICE: ALL PARTS ARE TO BE INVENTORIED AND ANY SHORTAGES REPORTED WITHIN 48 HOURS OF DELIVERY. SHORTAGES REPORTED AFTER THIS TIME PERIOD WILL BE CHARGED TO THE CONTRACTOR.

CALL 800/369-6690 ASK FOR THE CONTRACTS DEPARTMENT

DRAWING LIST

MONOPOLE ERECTION	569487-MM
MONOPOLE FOUNDATION(S)	569487-F1
MONOPOLE FABRICATION	569487-01
MOUNTS: TRI-COLLAR	C10112377 C10112378
PIPE MOUNT (8' -10' DISHES)	C10117008
6' SIDEARM	C10119106C C10151106 C10179001
3' STANDOFF ARM	C10114003
LIGHT-SIDELIGHT MOUNT	C30002002
SAFETY CLIMB EXTENSION KIT	C30012089
SAFETY CLIMB EXTENSION KIT	C30012088
LIGHTNING ROD CCS 5/8" X 4'	9025689
BILL OF MATERIALS	BOM-1



WIND INDUCED VIBRATIONS, SUCH AS VORTEX SHEDDING AND HARMONIC OSCILLATION/RESONANCE, OF STRUCTURES OF ALL TYPES DUE TO UNPREDICTABLE INTERACTION WITH WIND AND SURROUNDING STRUCTURES, EXPOSURE AND TERRAIN RARELY OCCUR. THE OWNER'S MAINTENANCE PROGRAM SHOULD INCLUDE OBSERVATIONS FOR VIBRATION AND ANY RESULTING LOOSENING OF CONNECTING HARDWARE OR DAMAGE TO THE STRUCTURE.

ANCHOR ROD INSTALLATION DETAIL

ALL ANCHOR ROD NUTS (TOP & LEVELING NUTS) SHALL BE TIGHTENED TO A SNUG TIGHT CONDITION. TOP NUTS SHALL BE ROTATED, WITH THE LEVELING NUT SECURED AN ADDITIONAL 1/3 TURN FOR ANCHOR RODS 1.5 INCHES OR LESS IN DIAMETER & AN ADDITIONAL 1/6 TURN FOR ANCHOR ROD DIAMETERS GREATER THAN 1.5 INCHES.

BOLT INSTALLATION DETAILS

1. INSTALLATION OF BOLTS: BOLTS FOR TOWERS AND ANTENNAS SHALL BE INSTALLED WITH THE NUTS FACING TO THE OUTSIDE AND/OR TO THE TOP OF THE TOWER, UNLESS PROHIBITED BY LACK OF CLEARANCE.
2. TIGHTENING OF BOLTS: ALL HIGH STRENGTH BOLTS SHALL BE TIGHTENED TO A SNUG-TIGHT CONDITION, AS DEFINED BY AISC.
3. NUT LOCKING DEVICE: ALL NUTS SHALL BE EQUIPPED WITH SOME TYPE OF NUT LOCKING DEVICE. SEE THE INDIVIDUAL DRAWINGS FOR THE TYPE OF NUT LOCKING DEVICE TO BE USED FOR EACH INDIVIDUAL APPLICATION.

UNLESS OTHERWISE SPECIFIED ALL DIMENSIONS INCLUDE FINISHES AND ARE IN INCHES
TOLERANCES: FRACTIONS ± 1/16"
ANGLES ± 1/2 DEG.
DECIMALS ± .010"

MATERIAL:
TOLERANCES DO NOT APPLY TO RAW MATERIAL



CONFIDENTIAL
This document and the information contained herein is the confidential trade secret property of Sabre Industries, Inc. ("Sabre") and must not be reproduced, copied or used, in whole or in part, for any purpose without the prior written consent of Sabre.
© 2025 Sabre Industries, Inc. All rights reserved.

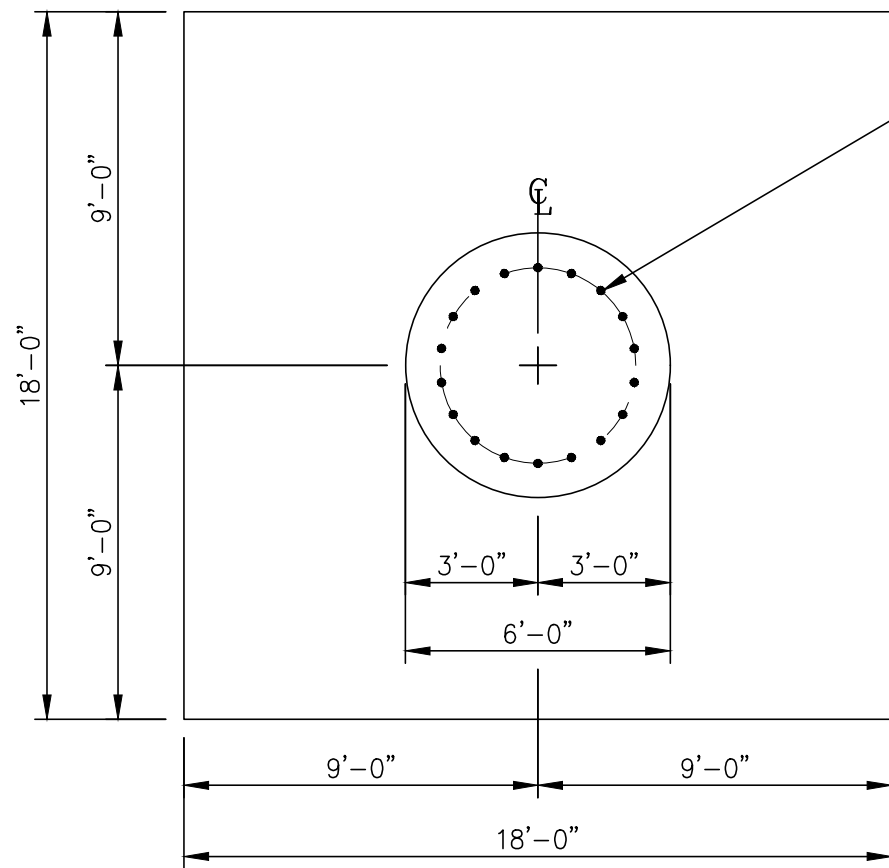
MOTOROLA ISPO
LEE'S SUMMIT JOF, MO
120.00 MONOPOLE

JOB 569487	SIZE B	DRAWING NO. 569487-MM	REV 0
DATE 11/26/25	DRAWN BY PSB	SCALE N.T.S.	PAGE 1 of 1
CHECKED BY MLC	26-2169-RSS-R2 OPT. 2		

Rev	DATE	DRW/CHK	DESCRIPTION

POLE ELEVATION

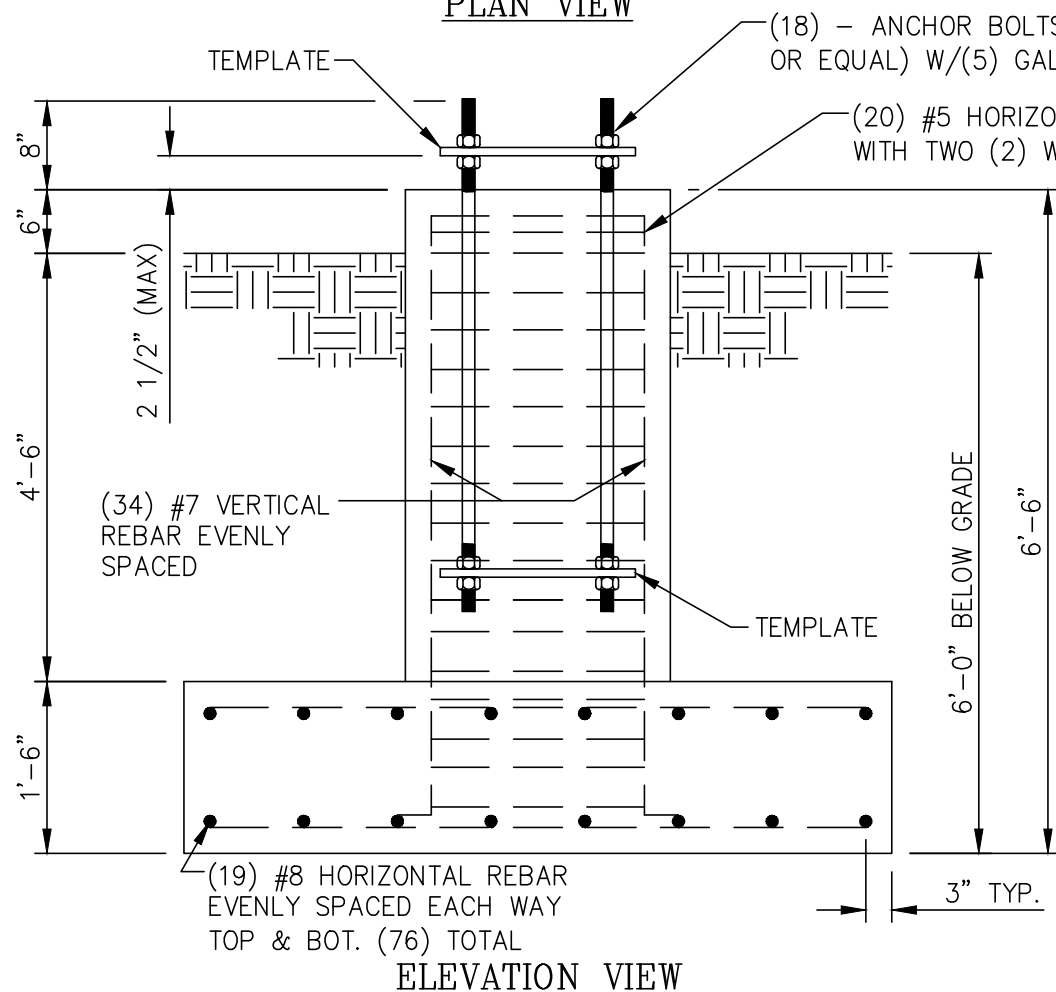
BASE INSTALLATION



(18) - ANCHOR BOLTS 1 1/4"Ø X 5'-3"
(F1554 GR. 105 OR EQUAL) ON A 50.25"Ø B.C.

TOP & BOTTOM TEMPLATES
PART NO.: 569487-9001

PLAN VIEW



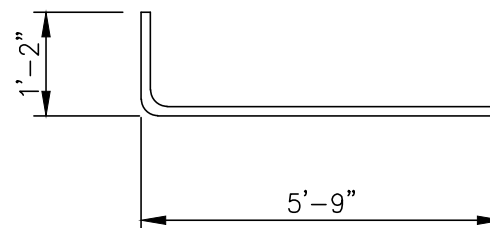
(18) - ANCHOR BOLTS 1 1/4"Ø X 5'-3" (F1554 GR. 105 OR EQUAL) W/(5) GALV. H.H.N. & (2) GALV. FW. EACH AT TOP
(20) #5 HORIZONTAL TIES @ 4" C/C WITH TWO (2) WITHIN TOP 5" OF CONCRETE

ELEVATION VIEW

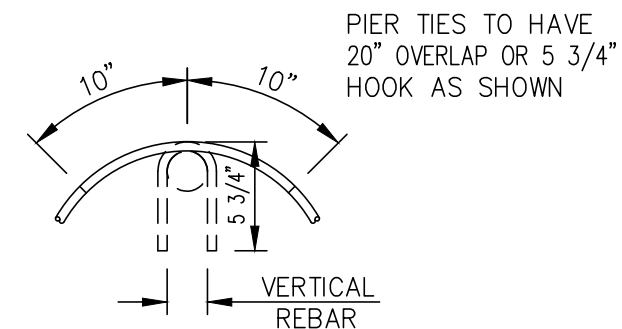


REINFORCING STEEL SCHEDULE

LOCATION	NO REQ'D.	BAR SPC'G.	SIZE	CUT LGTH.	TOTAL LGTH.	TOTAL WT.	SHAPE
PAD HORIZONTAL REINFORCING	76	NOTED ON DWG.	#8	17'-6"	1330'-0"	3551 LBS.	STRAIGHT
PIER VERTICAL REINFORCING	34	NOTED ON DWG.	#7	6'-11"	235'-2"	481 LBS.	SEE REBAR DETAIL "A"
PIER TIES	20	NOTED ON DWG.	#5	18'-10"	376'-8"	393 LBS.	
TOTAL REBAR WT.						4425 LBS.	



REBAR DETAIL "A"



PIER TIE HOOK DETAIL

PIER TIES TO HAVE 20" OVERLAP OR 5 3/4" HOOK AS SHOWN

GENERAL NOTES:

- ALL ANCHOR BOLTS AND VERTICAL REINFORCING BARS ARE TO BE SECURELY TIED BEFORE CONCRETE IS PLACED SO THEY WILL REMAIN PARALLEL TO THE CENTERLINE OF THE PIER.
- THE GROUND ELEVATION SHALL BE A MAXIMUM OF 6" BELOW THE TOP OF THE PIER.
- ALL EXPOSED CONCRETE CORNERS ARE TO BE CHAMFERED 3/4 INCH.
- ALL REINFORCING STEEL SHALL CONFORM TO ASTM A615 GRADE 60 DEFORMED BARS.
- CONCRETE SHALL HAVE A MINIMUM 28 DAY COMPRESSIVE STRENGTH OF 4500 PSI, IN ACCORDANCE WITH ACI 318-14.
- REINFORCING STEEL TO HAVE A 3" MINIMUM CONCRETE COVER.
- FOUNDATION DESIGN IS BASED ON THE GEOTECHNICAL REPORT BY UES, PROJECT NO. J045326.01, DATED MAY 21, 2024.
- ANCHOR BOLTS 1 1/4"Ø X 5'-3" (F1554 GR. 105 OR EQUAL) ON A 50.25"Ø BOLT CIRCLE (18 REQ'D).
- CONCRETE REQUIRED 23.24 CUBIC YARDS.
- SEE THE GEOTECHNICAL REPORT FOR COMPACTION REQUIREMENTS, IF SPECIFIED.
- THE BOTTOM ANCHOR BOLT TEMPLATE SHALL BE POSITIONED AS CLOSELY AS POSSIBLE TO THE BOTTOM OF THE ANCHOR BOLTS.
- 4.5 FT OF SOIL COVER IS REQUIRED OVER THE ENTIRE AREA OF THE FOUNDATION SLAB.
- DISTANCE BETWEEN CENTER OF ANCHOR BOLT CAGE & THE CENTER OF PIER NOT TO EXCEED 1/2" WITHOUT APPROVAL FROM ENGINEER OF RECORD.

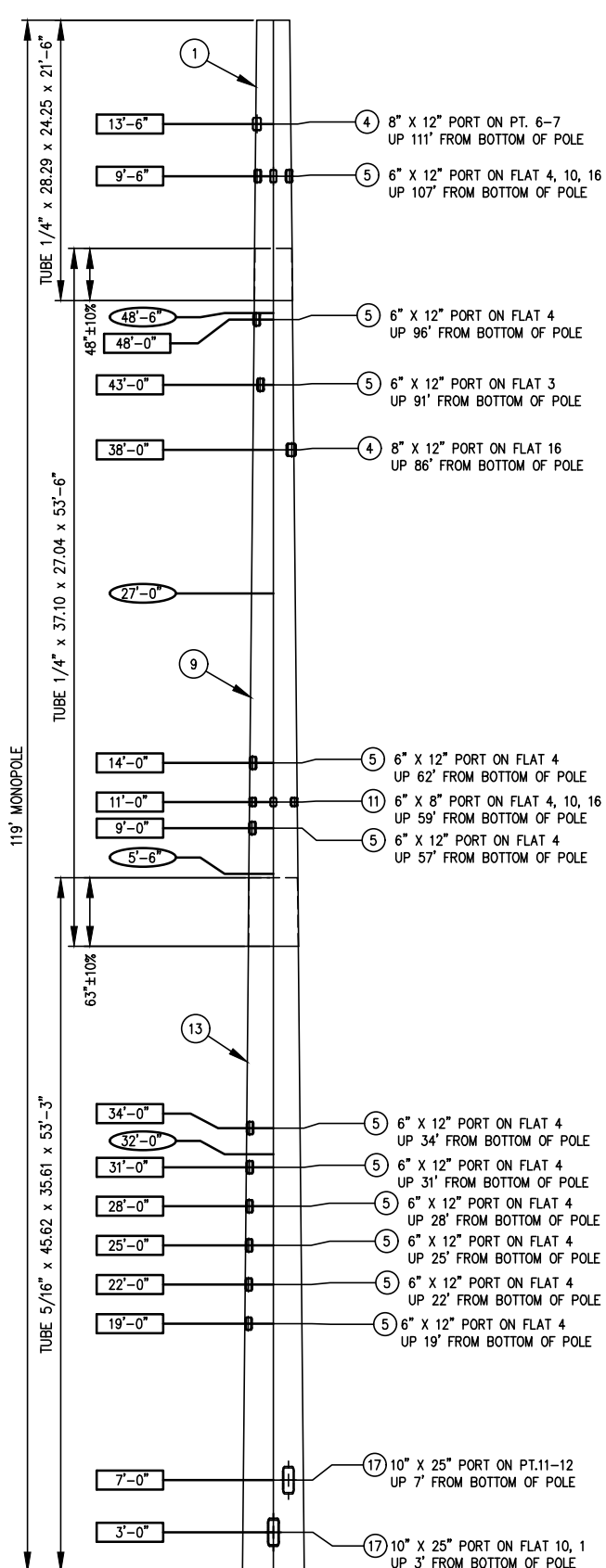
UNLESS OTHERWISE SPECIFIED ALL DIMENSIONS INCLUDE FINISHES AND ARE IN INCHES		MATERIAL:	
TOLERANCES: FRACTIONS ± 1/16" ANGLES ± 1/2 DEG. DECIMALS ± .010"		TOLERANCES DO NOT APPLY TO RAW MATERIAL	
REV	DATE	DRW/CHK	DESCRIPTION



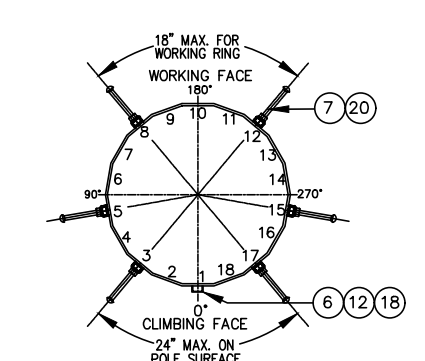
CONFIDENTIAL
This document and the information contained herein is the confidential trade secret property of Sabre Industries, Inc. ("Sabre") and must not be reproduced, copied or used, in whole or in part, for any purpose without the prior written consent of Sabre.
© 2025 Sabre Industries, Inc. All rights reserved.

MOTOROLA ISPO LEE'S SUMMIT JOF, MO 120' MONOPOLE			
JOB NO. 569487		SIZE	DRAWING NO.
DATE	11/26/25	B	569487-F1
DRAWN BY	PSB	SCALE	PAGE
CHECKED BY	MLC	None	1 OF 1

ft-in = BOTTOM OF SECTION TO STAND OFF BRACKET
 C-LINE OF BUSS BAR LUG

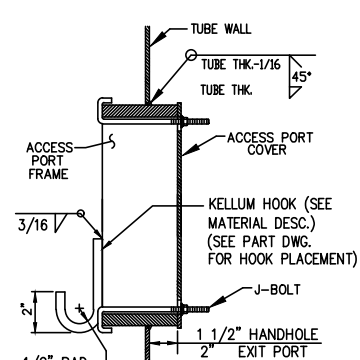


POLE ELEVATION

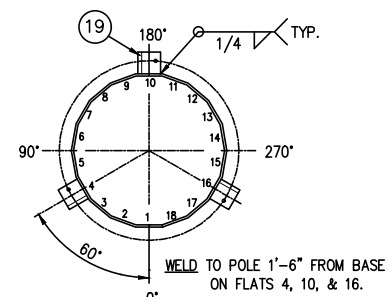


- CLIMBING FACILITY IS CENTERED ON FACE 1 STARTING AT 15" BELOW TOP TO 10'-0" FROM BASE WITH 15" ALTERNATE SPACING.
- WORKING STEP CLIP RINGS ARE PLACED AT THE NEAREST CLIMBING STEP LEVEL SPACED ON THE CIRCUMFERENCE AT A DISTANCE NOT TO EXCEED 18" ON CENTER.
 - (2) RINGS DOWN 24"-48" FROM THE PORT CENTER LINE
 - (2) RINGS 24"-48" BELOW CENTERLINE OF THE JACKING NUTS
 - (2) RINGS 24"-48" BELOW CENTERLINE OF FLANGE (IF POLE IS FLANGED)
- SAFETY CLIMB SYSTEM IS CENTERED ON FACE 1.
- TOP STAND OFF BRACKET IS 12" FROM THE TOP.
- INTERMEDIATE STAND OFF BRACKETS ARE SPACED AT 27" MAX.
- BOTTOM STAND OFF BRACKET IS 10'-0" FROM THE BASE.

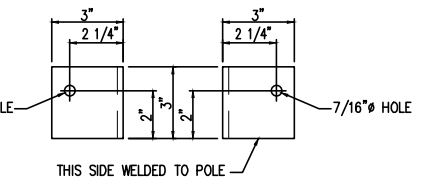
CLIMBING AND SAFETY DETAILS



ACCESS PORT DETAIL

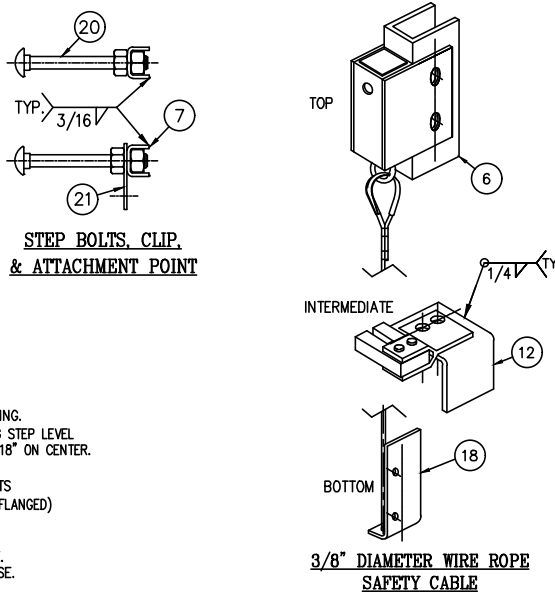


GROUND LUG ANGLE WELD



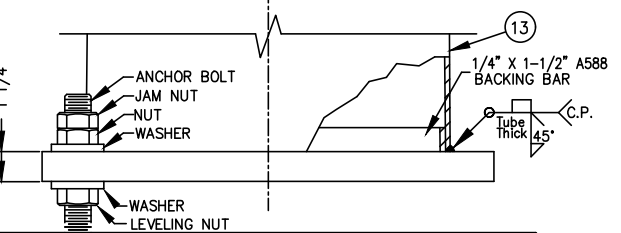
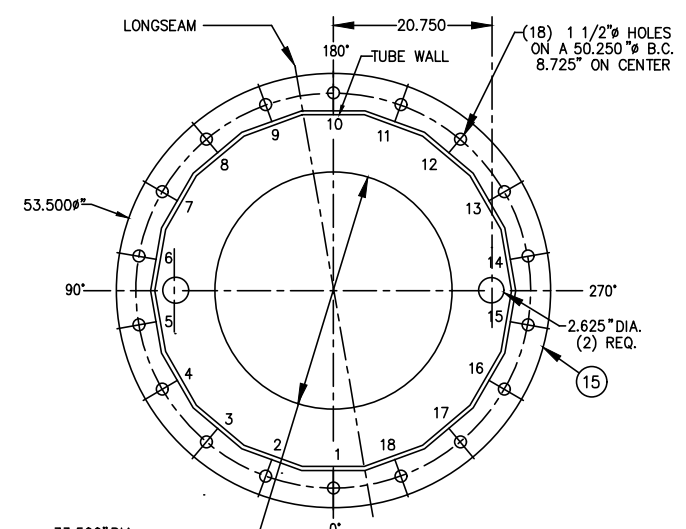
BASE PLATE DETAIL

MARK: MWS00004

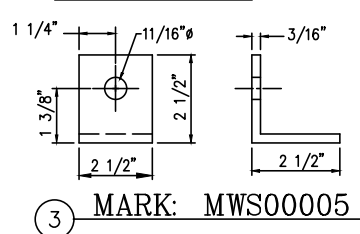


TOP CAP: C30170014
 INCLUDES (3) 5/8" X 2" BOLTS

SAFETY CLIMB NOTE:
 BOTTOM SAFETY CLIMB BRACKET MUST HAVE DOUBLE HOLES AWAY FROM THE POLE FOR USE WITH SAFETY CLIMB KIT PROVIDED.



BASE PLATE DETAIL



MARK: MWS00005



18-SIDED POLE		LIST OF MATERIAL		TAPER= .1880	IN/FT
ITEM	QTY	MARK NO.	DESCRIPTION	MATERIAL	WEIGHT
1	1	569487-0110	TUBE 1/4" x 28.29 x 24.25 x 21'-6"	A572-65	1507
2	1	UID05	ID TAG 1/4" x 2" x 0'-5 3/4"	A572-65	1
3	3	MWS00005	ANGLE 3/16" x 2 1/2" x 2 1/2" x 2 1/2" LONG	A-36	3
4	1	C30138104	ACCESS PORT (8" x 12" x 3 1/2" x 5/8") WITH 2 HOOKS	A-500-C	23
5	3	C30138101	ACCESS PORT (6" x 12" x 3 1/2" x 5/8") WITH 2 HOOKS	A-500-C	62
6	1	MWS00001	TOP STAND OFF SAFETY BRACKET	A-36	1
7	35	TWS00081	STEP BOLT CLIP	A-36	11
8	4	C40001553	1"-8 HEAVY HEX JACKING NUT	A-563	4
ASSEMBLY WEIGHT:					1611

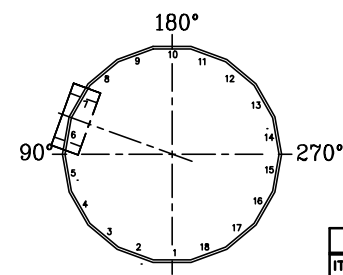
9	1	569487-0120	TUBE 1/4" x 37.10 x 27.04 x 53'-6"	A572-65	4589
10	1	UID05	ID TAG 1/4" x 2" x 0'-5 3/4"	A572-65	1
4	1	C30138104	ACCESS PORT (8" x 12" x 3 1/2" x 5/8") WITH 2 HOOKS	A-500-C	23
5	4	C30138101	ACCESS PORT (6" x 12" x 3 1/2" x 5/8") WITH 2 HOOKS	A-500-C	82
11	3	C30138701	ACCESS PORT (6" x 8" x 4" x 1/2") WITH 2 HOOKS	A-500-C	44
12	3	MWS00002	MIDDLE STAND OFF SAFETY BRACKET	A-36	3
7	116	TWS00081	STEP BOLT CLIP	A-36	35
8	8	C40001553	1"-8 HEAVY HEX JACKING NUT	A-563	8
ASSEMBLY WEIGHT:					4784

13	1	569487-0130	TUBE 5/16" x 45.62 x 35.61 x 53'-3"	A572-65	7233
14	1	UID05	ID TAG 1/4" x 2" x 0'-5 3/4"	A572-65	1
15	1	569487-5001	BASE PLATE 1 1/4" x 53.50" ROUND	A572-50	473
16	13 ft	L770016	FLAT 1/4" x 1 1/2"	A588	16
5	6	C30138101	ACCESS PORT (6" x 12" x 3 1/2" x 5/8") WITH 2 HOOKS	A-500-C	123
17	3	C30138005	ACCESS PORT (10 1/2" x 25 1/2" x 4" x 3/4") WITHOUT HOOKS	A-572-65	165
12	1	MWS00002	MIDDLE STAND OFF SAFETY BRACKET	A-36	1
18	1	MWS00003	BOTTOM STAND OFF SAFETY BRACKET	A-36	1
7	129	TWS00081	STEP BOLT CLIP	A-36	39
8	4	C40001553	1"-8 HEAVY HEX JACKING NUT	A-563	4
19	3	MWS00004	GROUND LUG ANGLE	A-36	3
ASSEMBLY WEIGHT:					8058
STRUCTURE BLACK WEIGHT:					14453

SHIP LOOSE MISC.				
ITEM	QTY	MARK NO.	DESCRIPTION	MATERIAL
20	280	C40044017	5/8"-11 X 7" STEP BOLT (GALV)	A-449
21	8	C40011014	STEP BOLT ATTACHMENT POINT	A302
22	2	C30136003	8.5" X 12.5" X 0.1875PL ACCESS COVER (GALV)	A-36
23	13	C30136002	6.5" X 12.5" X 0.1875PL ACCESS COVER (GALV)	A-36
24	3	C30136001	11.0" X 26.0" X 0.1875PL ACCESS COVER (GALV)	A-36
25	1	C30012033	SAFETY-CLIMB-SYSTEM-SELECT-KIT 150'	---
26	2	C30012089	SAFETY CLIMB EXTENSION KIT	---
27	1	C30012088	SAFETY CLIMB EXTENSION KIT	---
28	1	C30086001	LIGHTNING ROD CCS 5/8" X 4'	---
29	3	C30002002	LIGHT-SIDELIGHT MOUNT	A-36
30	1	C30170014	TOP COVER KIT 24" TO 28"	A-36
31	1	C40068001	13oz CAN OF COLD GALV SPRAY	---
32	1	CS00500	NAME PLATE	---

NOTE:
 SECTION ID TAG NUMBER TO MATCH TUBE MARK NO.

NOTE:
 REFER TO DRAWING 9029280 FOR MONOPOLE LONGSEAM WELD DETAILS.



HAND HOLES
 TYPICAL ORIENTATION

ACCESS PORT DATA TABLE						
ITEM	PART NUMBER	WIDTH	HEIGHT	DEPTH	THICK	MATERIAL SPEC
4	C30138104	8"	12"	3 1/2"	5/8"	A-500-C
5	C30138101	6"	12"	3 1/2"	5/8"	A-500-C
11	C30138701	6"	8"	4"	1/2"	A-500-C
17	C30138005	10 1/2"	25 1/2"	4"	3/4"	A-572-65

UNLESS OTHERWISE SPECIFIED ALL DIMENSIONS INCLUDE FINISHES AND ARE IN INCHES			MATERIAL:	
TOLERANCES: FRACTIONS ± 1/16"			TOLERANCES DO NOT APPLY TO RAW MATERIAL	
ANGLES ± 1/2 DEG.				
DECIMALS ± .010"				
Rev	DATE	DRW/CHK	DESCRIPTION	

sabre

CONFIDENTIAL

This document and the information contained herein is the confidential trade secret property of Sabre Industries, Inc. ("Sabre") and must not be reproduced, copied or used, in whole or in part, for any purpose without the prior written consent of Sabre.

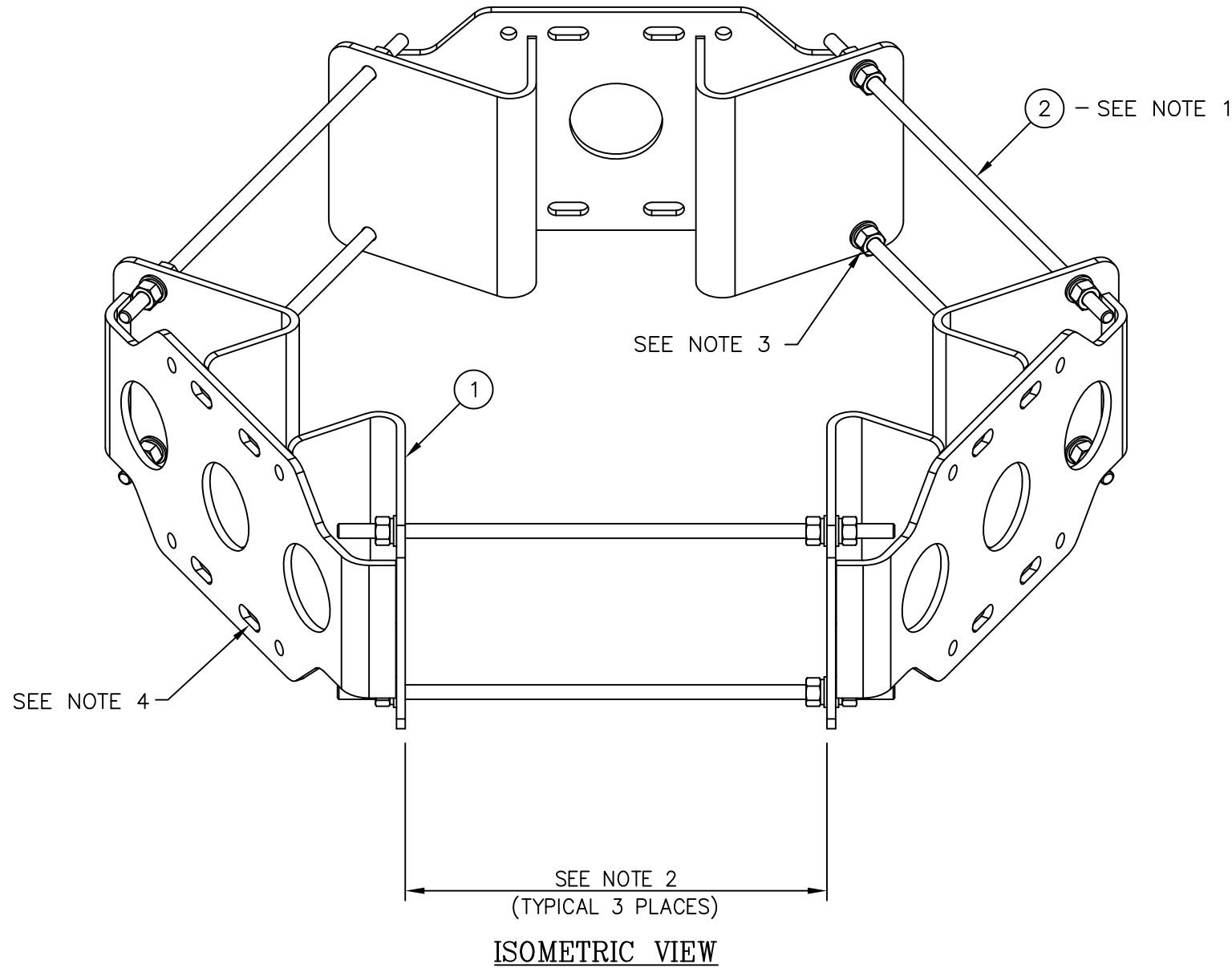
© 2025 Sabre Industries, Inc. All rights reserved.

MOTOROLA ISPO
 LEE'S SUMMIT JOF, MO
 120.00 MONOPOLE

JOB	569487	SIZE	B	DRAWING NO.	569487-01	REV	0
DATE	11/26/25	DRAWN BY	PSB	SCALE	N.T.S.	CHECKED BY	MLC
				PAGE	1 of 1		

C10112377 TRI-COLLAR ASSEMBLY (10"-40" MONOPOLE)

ITEM	QTY.	PART. NO.	DESCRIPTION	WEIGHT
1.	3	CW01324	WELDMNT, TRI-COLLAR (10"-40" MONOPOLE)	166
2.	6	C40094027	THREADED ROD ASSEMBLY 5/8 X 2'-9"	19
			TOTAL WEIGHT	185



NOTES:

1. THREADED ROD MAY BE SHORTENED IF REQUIRED, FIELD CUT AND COLD GALV SPRAY TO SUIT.
2. THIS DISTANCE MUST BE EQUAL IN ALL (3) LOCATIONS TO ENSURE THE STRUCTURAL INTEGRITY OF THE THREADED RODS AS WELL AS 120° SEPARATION.
3. ONLY (1) NUT AND (1) LOCKWASHER IS NEEDED BETWEEN THE WELDMENTS (AT ONE INSIDE END ONLY) OF EACH THREADED ROD ASSEMBLY.
4. THE MOUNTING SLOTS NOTED WILL ACCOMMODATE 2 3/8"-4 1/2" O.D. MOUNTING PIPES.



UNLESS OTHERWISE SPECIFIED ALL DIMENSIONS INCLUDE FINISHES AND ARE IN INCHES		MATERIAL:	
TOLERANCES: FRACTIONS ± 1/16" ANGLES ± 1/2 DEG. DECIMALS ± .010"		TOLERANCES DO NOT APPLY TO RAW MATERIAL	
REV	DATE	DRW	CHK
3	10/09/23	FJM	EK
2	07/07/23	KLE	DLW
1	07/16/18	JKW	WJ

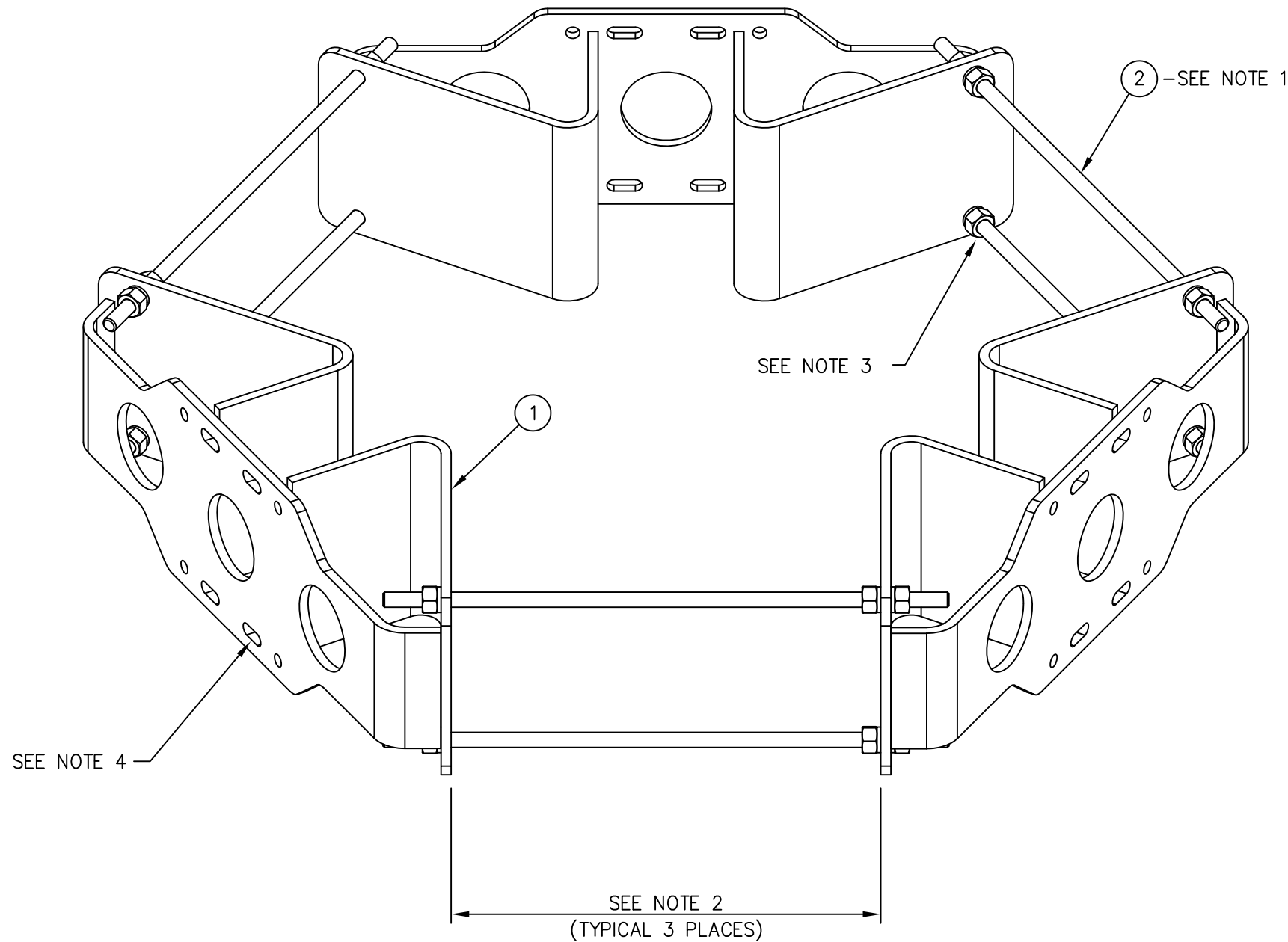
Sabre Industries™
INNOVATION DELIVERED

CONFIDENTIAL
This document and the information contained herein is the confidential trade secret property of Sabre Industries, Inc. ("Sabre") and must not be reproduced, copied or used, in whole or in part, for any purpose without the prior written consent of Sabre.
© 2023 Sabre Industries, Inc. All rights reserved.

TRI-COLLAR BRACKET ASSEMBLY FOR MONOPOLES (10"-40" DIA.) (CIRCUMFERENCE 31.4" TO 125.7")			
DATE	04/15/16	SIZE	B
DRAWN BY	WRF	DRAWING NO.	C10112377
CHECKED BY	KLE	SCALE	None
		REV	3
		PAGE	1 OF 1

C10112378 TRI-COLLAR ASSEMBLY (12"-60" MONOPOLE)

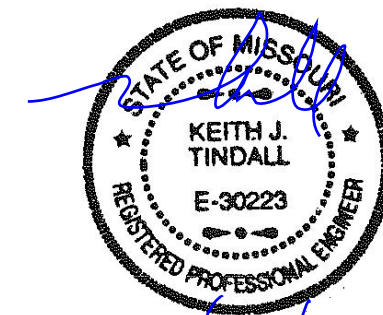
ITEM	QTY.	PART. NO.	DESCRIPTION	WEIGHT
1.	3	CW01334	WELDMENT, TRI-COLLAR (12"-60" MONOPOLE)	330
2.	6	C40094030	THREADED ROD ASSEMBLY 3/4 X 4'-4"	42
TOTAL WEIGHT				372



ISOMETRIC VIEW

NOTES:

1. THREADED ROD MAY BE SHORTENED IF REQUIRED, FIELD CUT AND COLD GALV SPRAY TO SUIT.
2. THIS DISTANCE MUST BE EQUAL IN ALL (3) LOCATIONS TO ENSURE THE STRUCTURAL INTEGRITY OF THE THREADED RODS AS WELL AS 120° SEPARATION.
3. ONLY (1) NUT AND (1) LOCKWASHER IS NEEDED BETWEEN THE WELDMENTS (AT ONE INSIDE END ONLY) OF EACH THREADED ROD ASSEMBLY.
4. THE MOUNTING SLOTS NOTED WILL ACCOMMODATE 2 3/8"-4 1/2" O.D. MOUNTING PIPES.



UNLESS OTHERWISE SPECIFIED
ALL DIMENSIONS INCLUDE
FINISHES AND ARE IN INCHES
TOLERANCES: FRACTIONS ± 1/16"
ANGLES ± 1/2 DEG.
DECIMALS ± .010"

MATERIAL:
TOLERANCES DO NOT APPLY
TO RAW MATERIAL



TRI-COLLAR BRACKET ASSEMBLY
FOR MONOPOLES (12"-60" DIA.)
(CIRCUMFERENCE 37.7" TO 188.5")

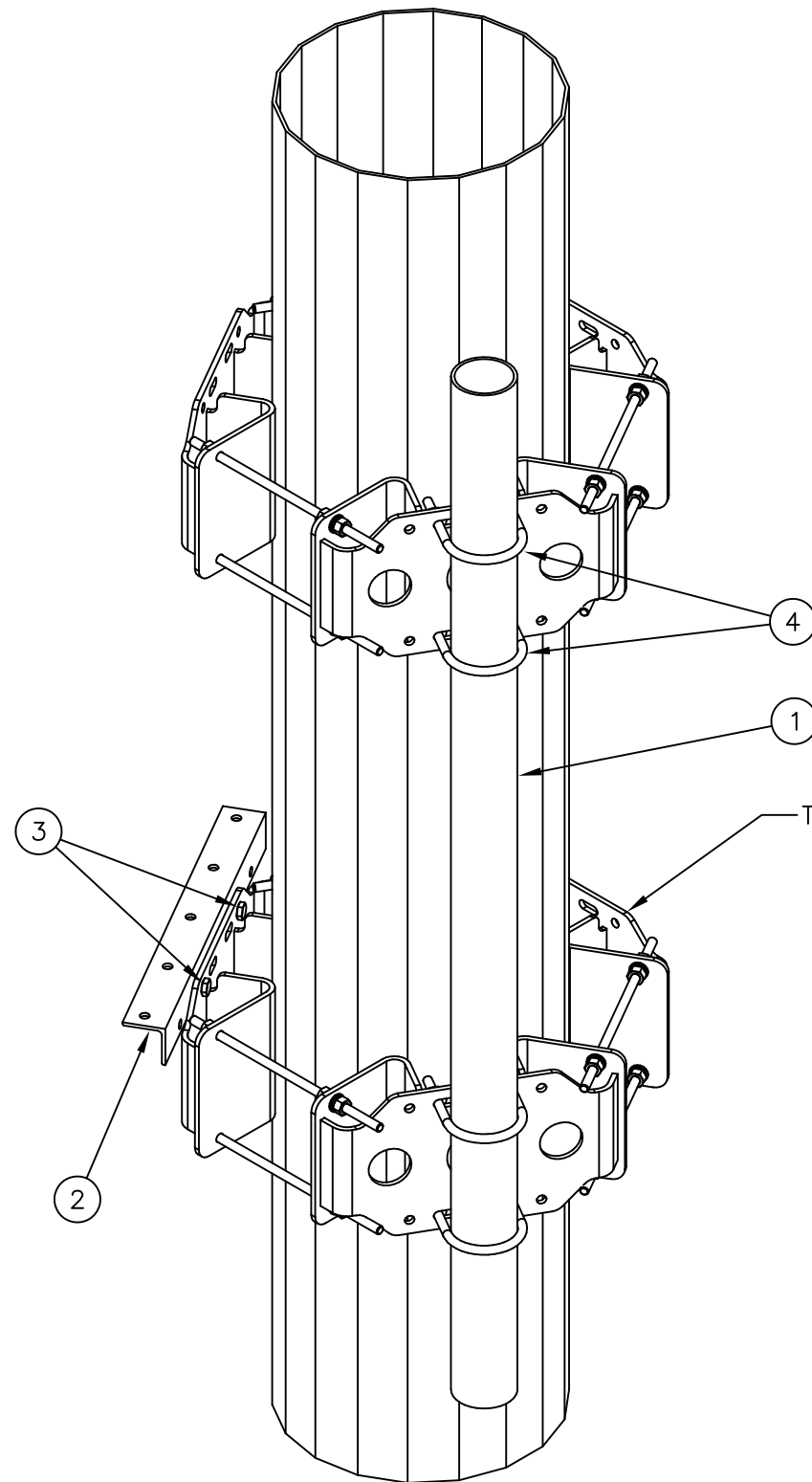
REV	DATE	DRW/CHK	DESCRIPTION
2	10/09/23	FJM/EK	ITEM 2 WAS C40094010, REVISED NOTES & REMOVED INSIDE NUT & WASHER
1	07/07/23	KLE/DLW	REVISED NOTES

CONFIDENTIAL
This document and the information contained herein is the confidential trade secret property of Sabre Industries, Inc. ("Sabre") and must not be reproduced, copied or used, in whole or in part, for any purpose without the prior written consent of Sabre.
© 2023 Sabre Industries, Inc. All rights reserved.

DATE	SIZE	DRAWING NO.	REV
12/08/16	B	C10112378	2
DRAWN BY	CHECKED BY	SCALE	PAGE
WRF	KE	None	1 OF 1

C10117008 PIPE MOUNT

ITEM	QTY.	PART NO.	DESCRIPTION	WEIGHT
1.	1	C10901407	SUPPORT PIPE, 4 1/2" O.D. X 0.237 X 7'-0	79
2.	1	CS00079	ANGLE, STRUT BRACKET	11
3.	2	C40026024	BOLT ASSEMBLY, 5/8"φ X 2 1/4 A325	1
4.	4	C40034032	U-BOLT ASSEMBLY, 5/8"φ X 5 3/16 C/C	9
TOTAL WEIGHT				100



TRI-COLLAR MOUNTS ARE SHOWN TYPICAL AND MUST BE PURCHASED SEPARATELY.



1/13/26

NOTES:

1. CONNECT MICROWAVE STRUT TO TIE BACK CLIP. CONTACT SABRE IF ADDITIONAL PARTS ARE REQUIRED.
2. IF LOCKING CABLE GUIDES ARE REQUIRED, THEY MUST BE PURCHASED SEPARATELY (SEE PAGE 2).

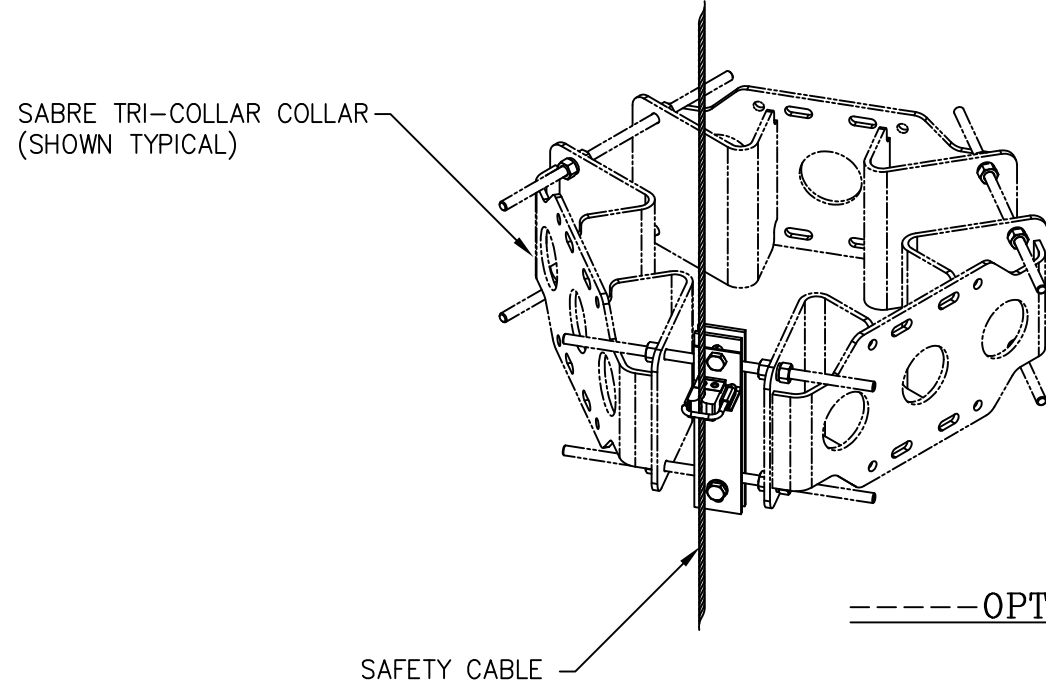
ISOMETRIC VIEW

UNLESS OTHERWISE SPECIFIED ALL DIMENSIONS INCLUDE FINISHES AND ARE IN INCHES		MATERIAL:			PIPE MOUNT 8 FT. TO 10 FT. DISH FOR MONOPOLES			
TOLERANCES: FRACTIONS ± 1/16" ANGLES ± 1/2 DEG. DECIMALS ± .010"		TOLERANCES DO NOT APPLY TO RAW MATERIAL						
CONFIDENTIAL This document and the information contained herein is the confidential trade secret property of Sabre Communications Corporation ("Sabre") and must not be reproduced, copied or used, in whole or in part, for any purpose without the prior written consent of Sabre. © 2014 Sabre Communications Corporation. All rights reserved.				DATE	6/1/00	SIZE	DRAWING NO.	REV
				DRAWN BY	KLE	B	C10117008	3
				CHECKED BY	BCT			
						None		1 OF 2

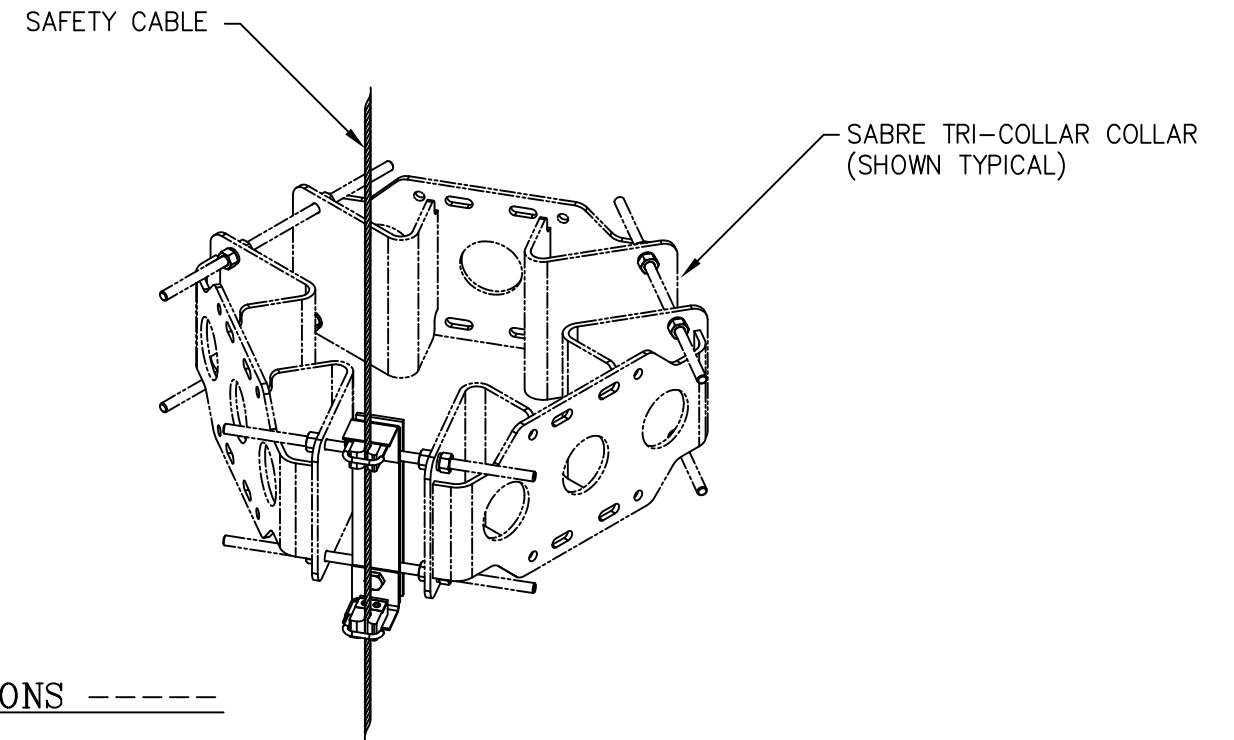
REV	DATE	DRW/CHK	DESCRIPTION
3	08/26/24	FJM/DLW	REVISED ITEM 1 (WAS C10981407), UPDATED ISO VIEW & ADDED CABLE GUIDE MOUNTING OPTIONS
2	01/15/09	MLC/MC	REVISED PIPE (ITEM 1)
1	07/07/06	WMN/WRF	ADDED ISOMETRIC VIEW

OPTIONAL LOCKING CABLE GUIDE

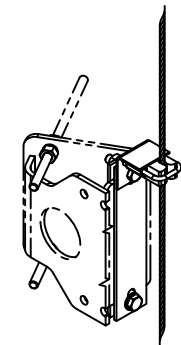
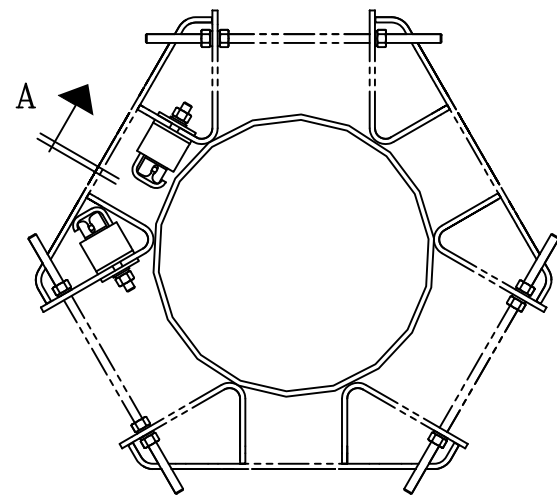
IF REQUIRED PLEASE ORDER THE APPROPRIATE KIT BELOW TO FIT YOUR INDIVIDUAL FIELD NEEDS.



KIT C30017031



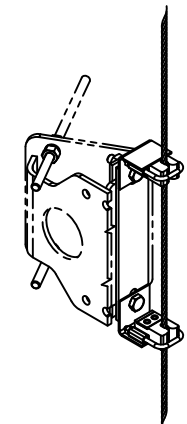
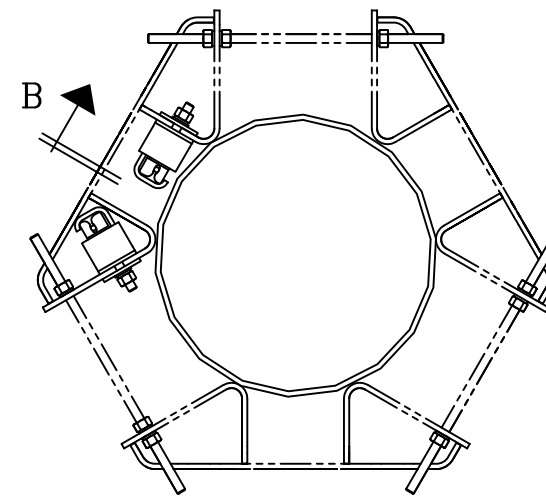
KIT C30017032



VIEW A-A



1/13/26



VIEW B-B

NOTE

OTHER ADDITIONAL CABLE GUIDE SUPPORTS MAY BE REQUIRED ABOVE AND BELOW COLLARS SO THAT CABLE ALIGNMENT IS WITHIN REQUIRED LIMITS.

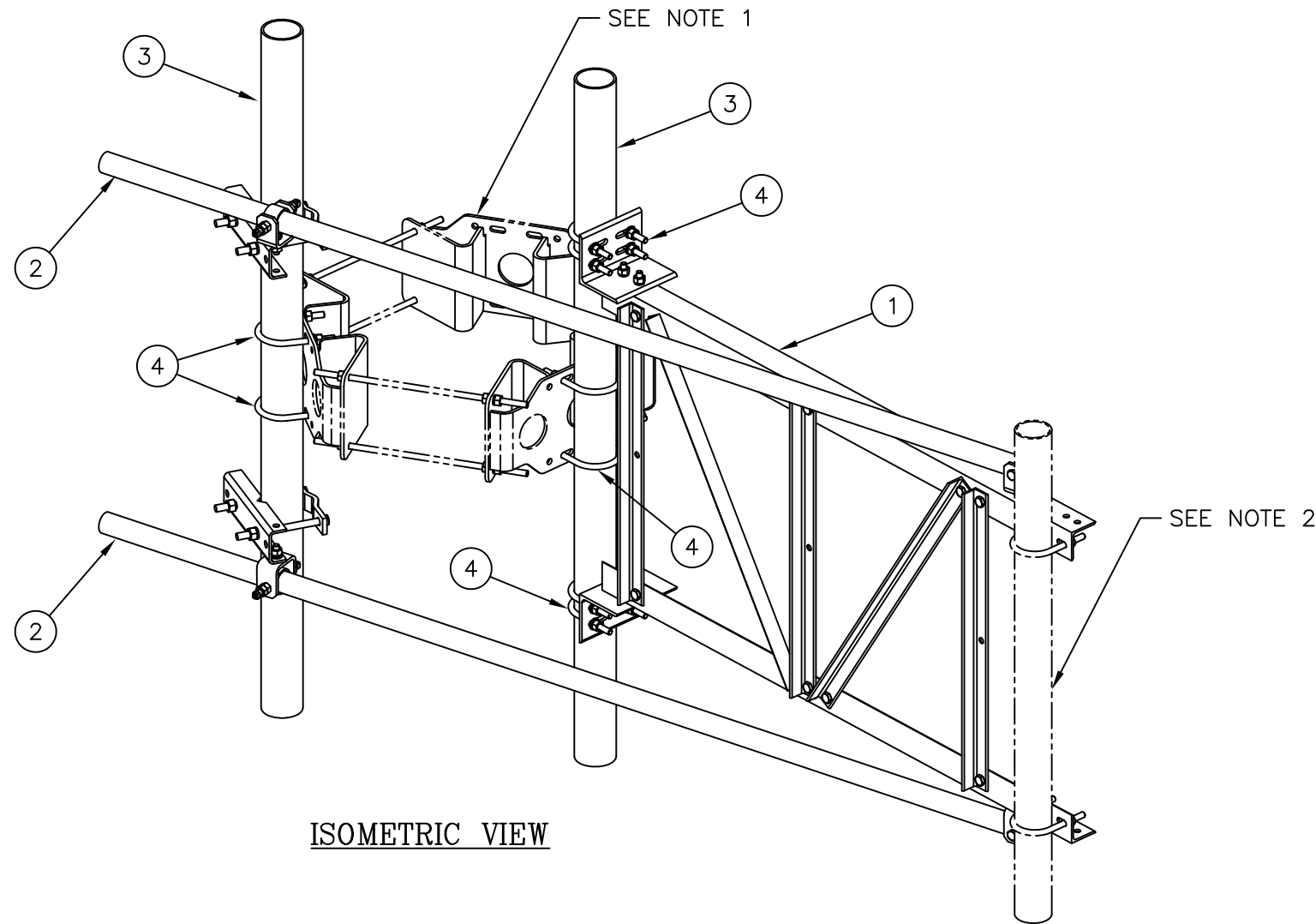
UNLESS OTHERWISE SPECIFIED ALL DIMENSIONS INCLUDE FINISHES AND ARE IN INCHES		MATERIAL:				PIPE MOUNT 8 FT. TO 10 FT. DISH FOR MONOPOLES							
TOLERANCES: FRACTIONS ± 1/16" ANGLES ± 1/2 DEG. DECIMALS ± .010"		TOLERANCES DO NOT APPLY TO RAW MATERIAL											
CONFIDENTIAL		This document and the information contained herein is the confidential trade secret property of Sabre Communications Corporation ("Sabre") and must not be reproduced, copied or used, in whole or in part, for any purpose without the prior written consent of Sabre. © 2014 Sabre Communications Corporation. All rights reserved.				DATE	6/1/00	SIZE	B	DRAWING NO.	C10117008	REV	3
REV	DATE	DRW	CHK	DESCRIPTION	CHECKED BY	BCT	DRAWN BY	KLE	SCALE	None	PAGE	2 OF 2	
3	08/26/24	FJM	DLW	REVISED ITEM 1 (WAS C10981407), UPDATED ISO VIEW & ADDED CABLE GUIDE MOUNTING OPTIONS									
2	01/15/09	MLC	MC	REVISED PIPE (ITEM 1)									
1	07/07/06	WMN	WRF	ADDED ISOMETRIC VIEW									

C10119106C 6 FT. SIDEARM W/(2) TIEBACKS

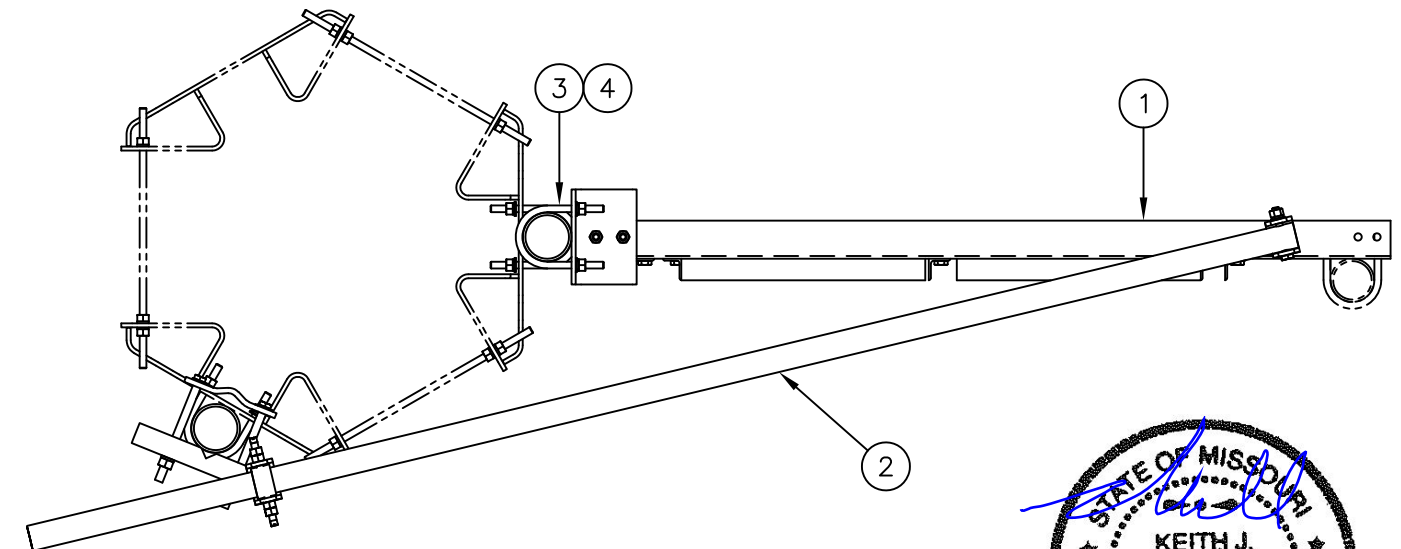
ITEM	QTY.	PART NO.	DESCRIPTION	WEIGHT
1.	1	C10151106	6 FT. SIDEARM ASSEMBLY	144
2.	2	C10179001	SWIVEL KNUCKLE TIEBACK ASSEMBLY	130
3.	2	C10901405	PIPE, 4 1/2"Ø X .237 X 5'-3"	118
4.	8	C40034032	U-BOLT ASSEMBLY, 5/8" X 5 3/16" C-C	17
TOTAL WEIGHT				409

NOTES:

1. SEE DRAWING C10151106 FOR INSTALLATION OF 6 FT. SIDEARM ASSEMBLY.
2. SEE DRAWING C10179001 FOR INSTALLATION OF SWIVEL KNUCKLE TIEBACK ASSEMBLY.
3. TRI-COLLAR MOUNTS ARE SHOWN TYPICAL AND MUST BE ORDERED SEPARATELY.
4. 2 3/8" THRU 4" O.D. MOUNTING PIPE & U-BOLTS MUST BE PURCHASED SEPERATELY.
5. QUANTITIES SHOWN ARE FOR ONE (1) SIDEARM ONLY.



ISOMETRIC VIEW



PLAN VIEW



1/13/26

UNLESS OTHERWISE SPECIFIED
ALL DIMENSIONS INCLUDE
FINISHES AND ARE IN INCHES
TOLERANCES: FRACTIONS ± 1/16"
ANGLES ± 1/2 DEG.
DECIMALS ± .010"

MATERIAL:
TOLERANCES DO NOT APPLY
TO RAW MATERIAL



6 FT. SIDEARM W/(2) TIEBACKS
FOR MONOPOLES
(FOR MTG. PIPES 2 3/8" O.D. THRU 4" O.D.)

REV	DATE	DRW/CHK	DESCRIPTION

CONFIDENTIAL
This document and the information
contained herein is the confidential trade
secret property of Sabre Industries, Inc.
("Sabre") and must not be reproduced,
copied or used, in whole or in part,
for any purpose without the prior written
consent of Sabre.
© 2024 Sabre Industries, Inc. All rights
reserved.

DATE	06/18/24	SIZE	B	DRAWING NO.	C10119106C	REV	0
DRAWN BY	FJM	SCALE	None	PAGE	1 OF 1		
CHECKED BY	DLW						

C10151106

C10151106 6 FT. SIDEARM ASSEMBLY

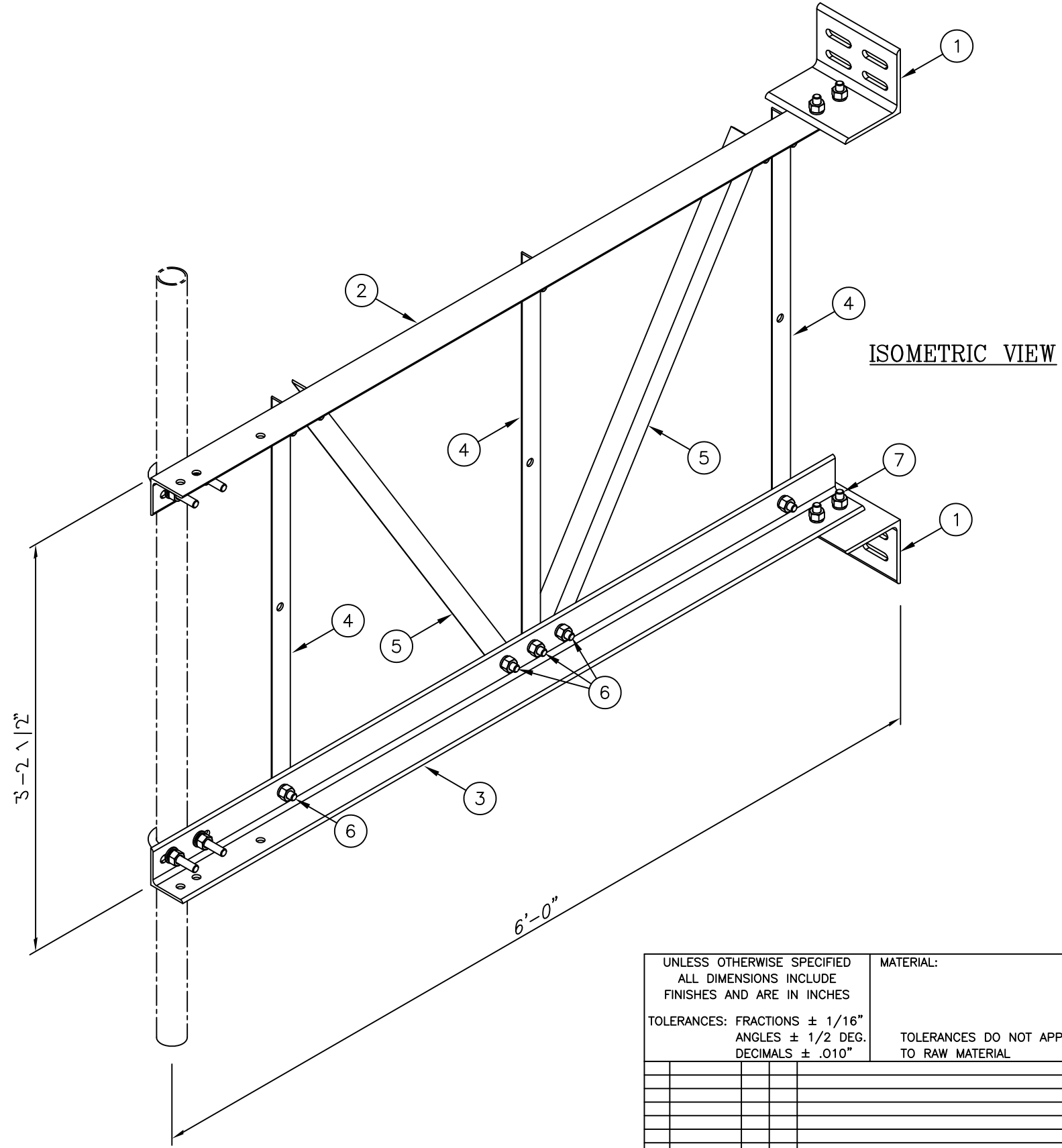
(1)	CK00061	SIDEARM ANGLE KIT	138
(1)	---	MISC HARDWARE (FRAMING)	6
TOTAL WEIGHT			144

CK00061 KIT LIST OF MATERIAL

ITEM	QTY.	PART NO.	DESCRIPTION	WEIGHT
1.	2	CS00067	ANGLE, BOOM SUPPORT	23
2.	1	CS01225	ANGLE, TOP CHORD	37
3.	1	CS01226	ANGLE, BOTTOM CHORD	37
4.	3	CS00065	ANGLE, VERTICAL	23
5.	2	CS01228	ANGLE, DIAGONAL	18
TOTAL WEIGHT				138

MISC HARDWARE (FRAMING)

ITEM	QTY.	PART NO.	DESCRIPTION	WEIGHT
6.	10	C40026022	BOLT ASSEMBLY, 5/8 ϕ X 1 3/4 A325	4
7.	4	C40026023	BOLT ASSEMBLY, 5/8 ϕ X 2 A325	2
TOTAL WEIGHT				6



NOTES:

- 2 3/8" O.D. THRU 4" O.D. MOUNTING PIPE & U-BOLTS MUST BE PURCHASED SEPARATELY.
- QUANTITIES SHOWN ARE FOR ONE (1) SIDEARM ONLY.

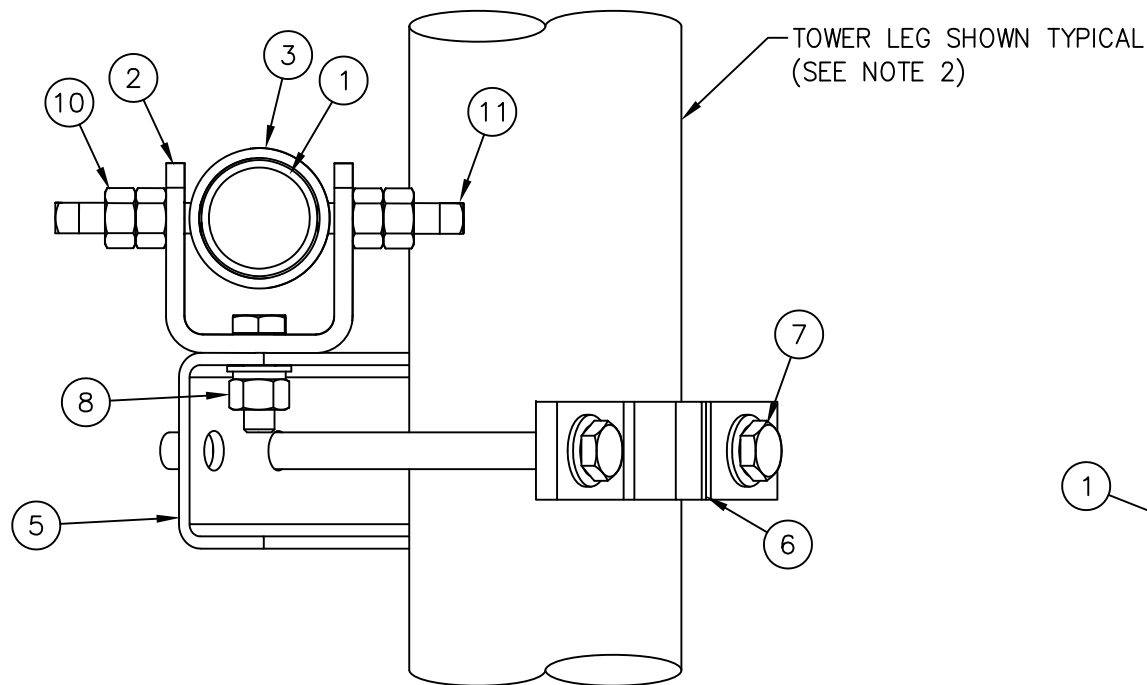
UNLESS OTHERWISE SPECIFIED ALL DIMENSIONS INCLUDE FINISHES AND ARE IN INCHES		MATERIAL:	
TOLERANCES: FRACTIONS $\pm 1/16"$ ANGLES $\pm 1/2$ DEG. DECIMALS $\pm .010"$		TOLERANCES DO NOT APPLY TO RAW MATERIAL	
1	11/10/06	WRF	WMN ADDED ISOMETRIC VIEW
REV	DATE	DRW/CHK	DESCRIPTION



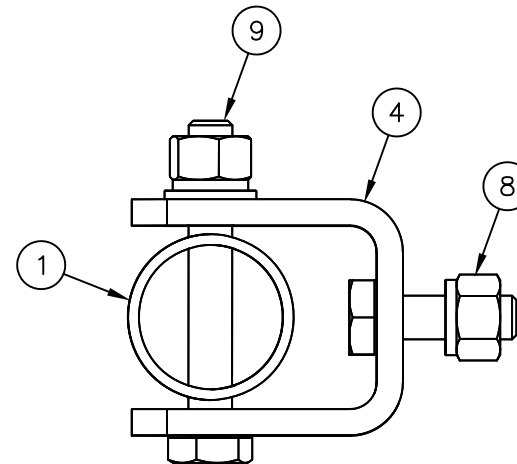
CONFIDENTIAL
This document and the information contained herein is the confidential trade secret property of Sabre Communications Corporation ("Sabre") and must not be reproduced, copied or used, in whole or in part, for any purpose without the prior written consent of Sabre.
© 2013 Sabre Communications Corporation. All rights reserved.

6 FT. SIDEARM
(FOR MTG. PIPES 2 3/8" O.D. THRU 4" O.D.)

DATE	12/19/05	SIZE B	DRAWING NO. C10151106	REV	1
DRAWN BY	TLH/RWM			SCALE	None
CHECKED BY	RWM				



SECTION A-A

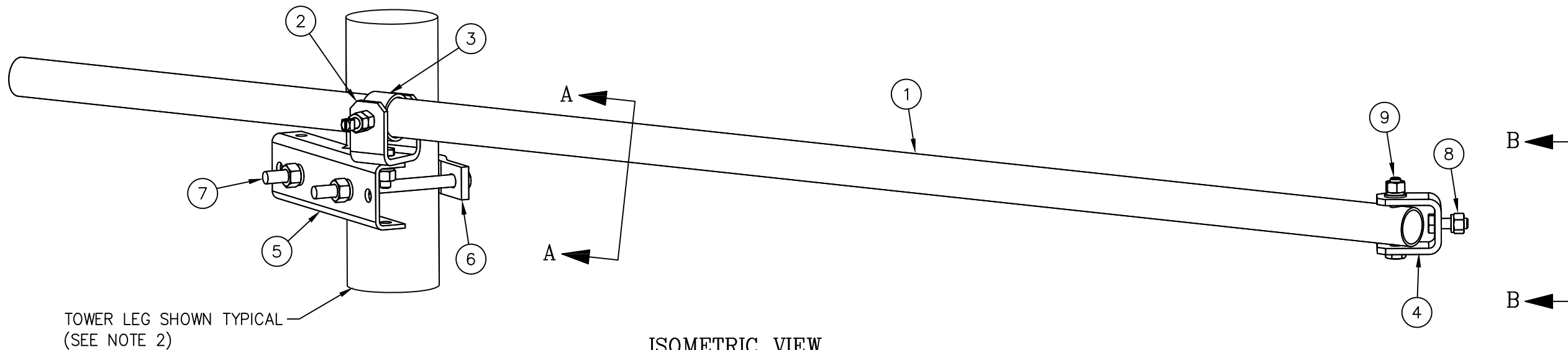


SECTION B-B

C10179001 SWIVEL KNUCKLE TIEBACK ASSEMBLY				
ITEM	QTY.	PART NO.	DESCRIPTION	WEIGHT
1.	1	CS03333	PIPE, 2 3/8" O.D. X 0.154 X 10'-0	38
2.	1	CW00013	SWIVEL PLATE WELDMENT	3
3.	1	CS00097	PIPE, 2 7/8" O.D. X 0.203 X 0'-1 3/4	1
4.	1	CS00098	BENT SWIVEL PLATE	3
5.	1	CS01360	PLATE, MOUNTING BRACKET (FORMED CHANNEL)	9
6.	1	CS01361	PLATE, 2 HOLE ADAPTER CLAMP	3
7.	2	C40140001	BOLT ASSEMBLY, 3/4 X 10 A307 W/NUT, LKW, FLW	4
8.	2	C40026023	BOLT ASSEMBLY, 5/8 X 2 A325	1
9.	1	C40026033	BOLT ASSEMBLY, 5/8 X 4 1/2 A325	1
10.	2	C40042007	HEX NUT, 5/8 A194 2H	1
11.	2	C40998007	SQ. HEAD SET SCREW, 5/8 X 2 1/2	1
TOTAL WEIGHT				65

NOTES:

- QUANTITIES SHOWN IN LISTS OF MATERIAL ARE FOR ONE (1) SWIVEL KNUCKLE TIBACK ONLY.
- THIS SWIVEL KNUCKLE TIEBACK KIT WILL MOUNT TO THE FOLLOWING:
 - 1 1/2"φ TO 5 9/16"φ ROUND LEG
 - L 2 1/2 X 2 1/2 TO L 4 X 4 ANGLE LEG



ISOMETRIC VIEW



TOWER LEG SHOWN TYPICAL (SEE NOTE 2)

UNLESS OTHERWISE SPECIFIED ALL DIMENSIONS INCLUDE FINISHES AND ARE IN INCHES		MATERIAL:	
TOLERANCES: FRACTIONS ± 1/16" ANGLES ± 1/2 DEG. DECIMALS ± .010"		TOLERANCES DO NOT APPLY TO RAW MATERIAL	
REV	DATE	DRW/CHK	DESCRIPTION
4	09/17/24	FJM/DLW	REVISED ITEM 1 (WAS CS02099)
3	08/06/09	MLC/MC	REVISED WALL THICKNESS ON ITEM 1
2	01/07/09	MLC/MC	REVISED ITEM 1
1	12/01/06	MLC/MC	REVISED NOTE 2

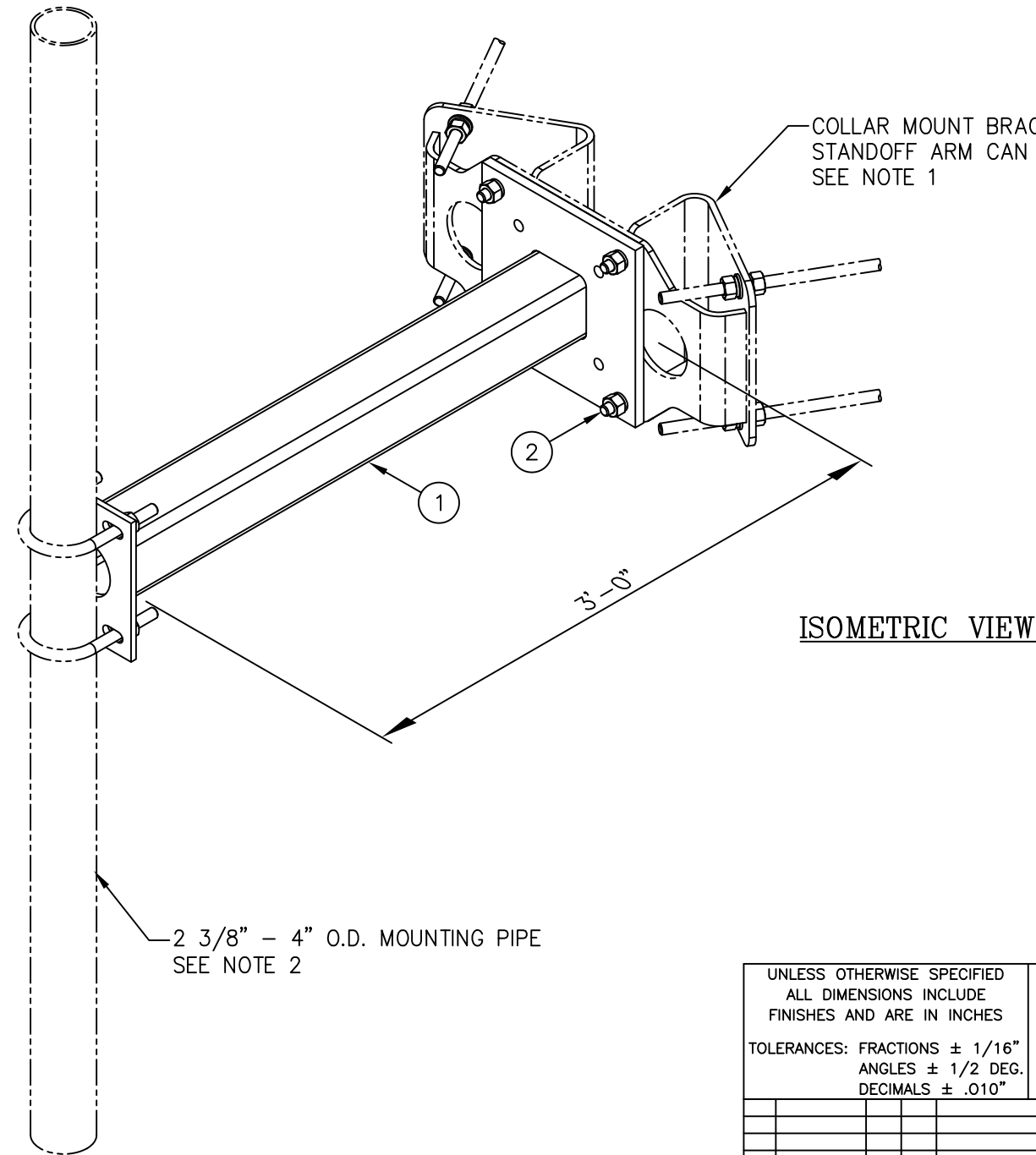
Sabre Industries™
Towers and Poles

CONFIDENTIAL
This document and the information contained herein is the confidential trade secret property of Sabre Communications Corporation ("Sabre") and must not be reproduced, copied or used, in whole or in part, for any purpose without the prior written consent of Sabre.
© 2007 Sabre Communications Corporation. All rights reserved.

SWIVEL KNUCKLE TIEBACK ASSEMBLY (2 3/8"φ PIPE X 10'-0")			
DATE	10/12/06	SIZE	B
DRAWN BY	MLC	DRAWING NO.	C10179001
CHECKED BY	MC	SCALE	None
		REV	4
		PAGE	1 OF 1

C10114003 3'-0" STANDOFF ARM

ITEM	QTY.	PART NO.	DESCRIPTION	WEIGHT
1.	1	CW00525	WELDMNT, 3'-0" STANDOFF ARM	63
2.	4	C40026024	BOLT ASSEMBLY, 5/8 ϕ X 2 1/4 A325	2
			TOTAL WEIGHT	65



COLLAR MOUNT BRACKET SHOWN PARTIAL FOR TYPICAL STANDOFF ARM INSTALLATION. STANDOFF ARM CAN BE MOUNTED TO EITHER A TRI-COLLAR OR QUAD-COLLAR MOUNT ASSEMBLY. SEE NOTE 1

2 3/8" - 4" O.D. MOUNTING PIPE
SEE NOTE 2



NOTES:

1. COLLAR MOUNTS ARE SHOWN TYPICAL AND MUST BE PURCHASED SEPARATELY.
2. 2 3/8" TO 4" O.D. MOUNTING PIPE & U-BOLTS MUST BE PURCHASED SEPARATELY.
3. QUANTITIES SHOWN ARE FOR ONE (1) STANDOFF ARM.

UNLESS OTHERWISE SPECIFIED ALL DIMENSIONS INCLUDE FINISHES AND ARE IN INCHES		MATERIAL:				3'-0" STANDOFF ARM				
TOLERANCES: FRACTIONS $\pm 1/16"$ ANGLES $\pm 1/2$ DEG. DECIMALS $\pm .010"$		TOLERANCES DO NOT APPLY TO RAW MATERIAL								
				CONFIDENTIAL This document and the information contained herein is the confidential trade secret property of Sabre Communications Corporation ("Sabre") and must not be reproduced, copied or used, in whole or in part, for any purpose without the prior written consent of Sabre. © 2019 Sabre Communications Corporation. All rights reserved.		DATE	07/11/06	SIZE	DRAWING NO.	REV
						DRAWN BY	WRF	B	C10114003	2
REV	DATE	DRW	CHK	DESCRIPTION	CHECKED BY	DLW	SCALE	None	PAGE	1 OF 1
2	05/04/23	FJM	DLW	CHANGED ISOMETRIC VIEW AND NOTE 1						
1	03/26/19	WRF	DLW	BOLTS WERE 5/8 X 2 1/2 (C40026025)						

LIST OF MATERIAL

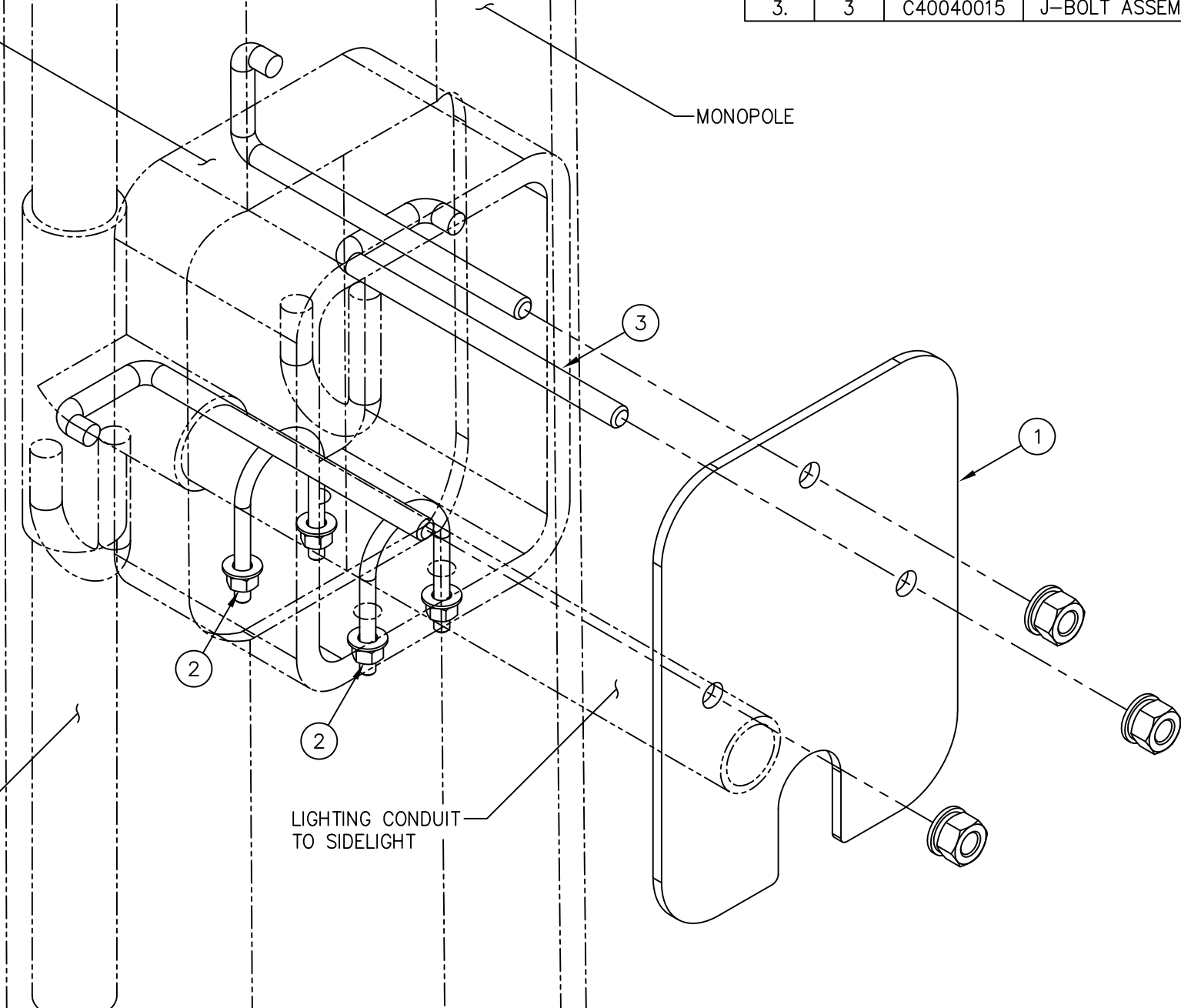
ITEM	QTY.	PART NO.	DESCRIPTION	WEIGHT
1.	1	CS02868	SIDELIGHT ACCESS PORT COVER PLATE	3
2.	2	Z40998074	U-BOLT ASSEMBLY, 1/4 Ø X 1 5/8 C/C	1
3.	3	C40040015	J-BOLT ASSEMBLY, 3/8 Ø X 6 1/8 I.L.	1
TOTAL WEIGHT				5

8 X 6 ACCESS PORT

MONOPOLE

LIGHTING CONDUIT

LIGHTING CONDUIT TO SIDELIGHT



UNLESS OTHERWISE SPECIFIED
ALL DIMENSIONS INCLUDE
FINISHES AND ARE IN INCHES

TOLERANCES: FRACTIONS ± 1/16"
ANGLES ± 1/2 DEG.
DECIMALS ± .010"

MATERIAL:

TOLERANCES DO NOT APPLY
TO RAW MATERIAL



SIDELIGHT INSTALLATION DETAIL
FOR MONOPOLES
(FOR 3/4" AND 1" CONDUITS)

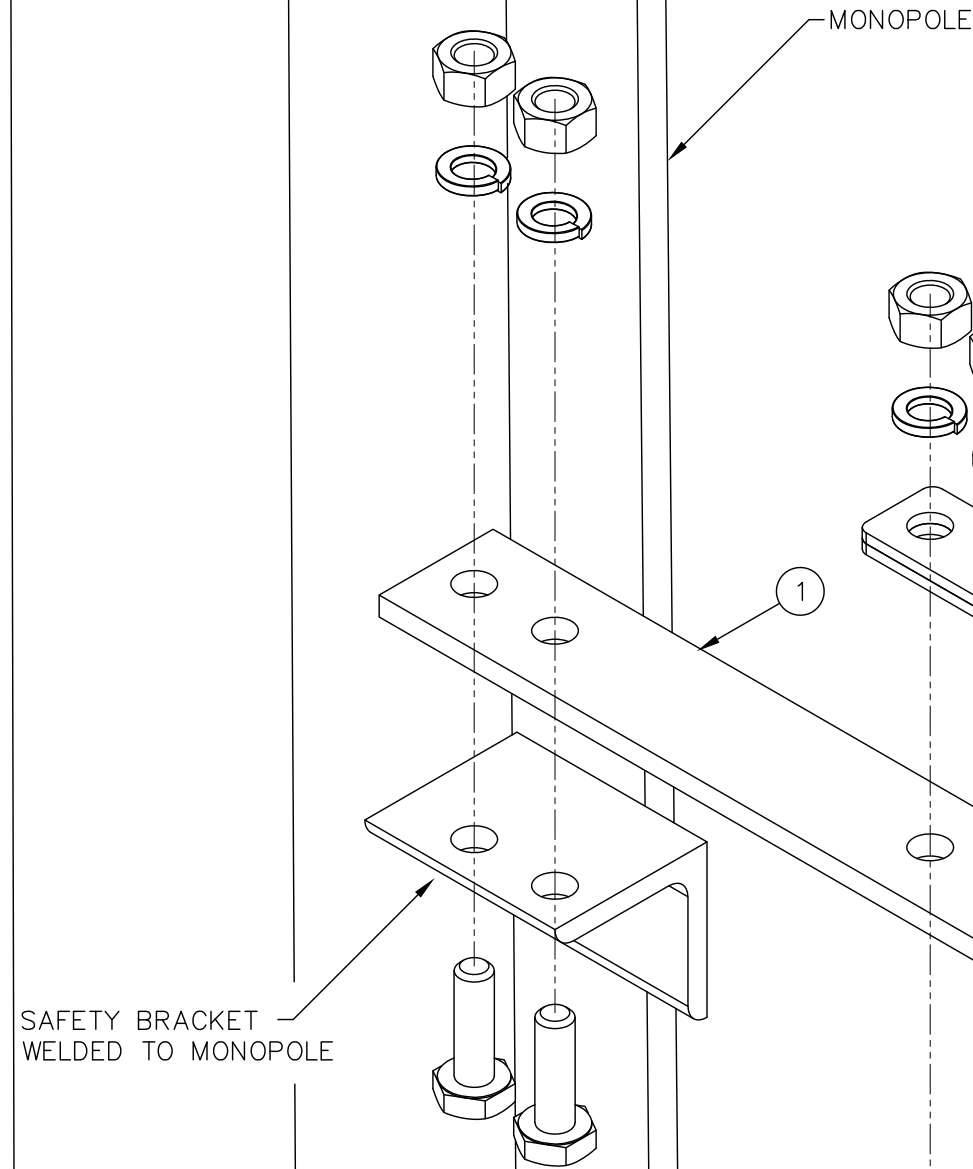
REV	DATE	DRW/CHK	DESCRIPTION

CONFIDENTIAL
This document and the information contained herein is the confidential trade secret property of Sabre Communications Corporation ("Sabre") and must not be reproduced, copied or used, in whole or in part, for any purpose without the prior written consent of Sabre.
© 2014 Sabre Communications Corporation. All rights reserved.

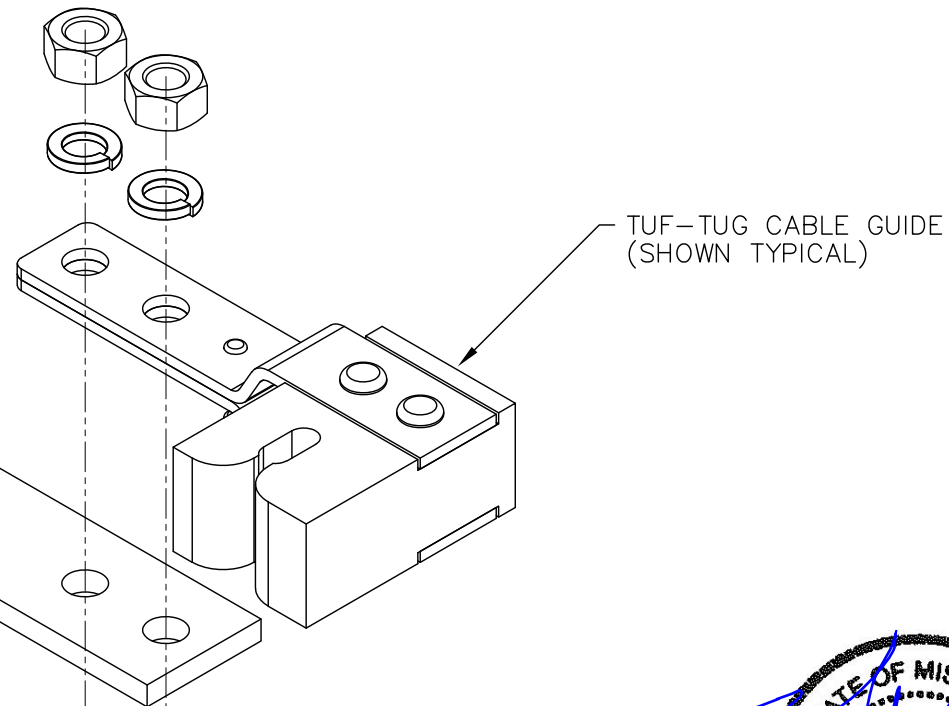
DATE	06/08/12	SIZE	B	DRAWING NO.	C30002002	REV	0
DRAWN BY	WRF	SCALE	None	PAGE	1	OF	1
CHECKED BY	KLE						

C30012089 CABLE GUIDE EXTENSION LIST OF MATERIAL

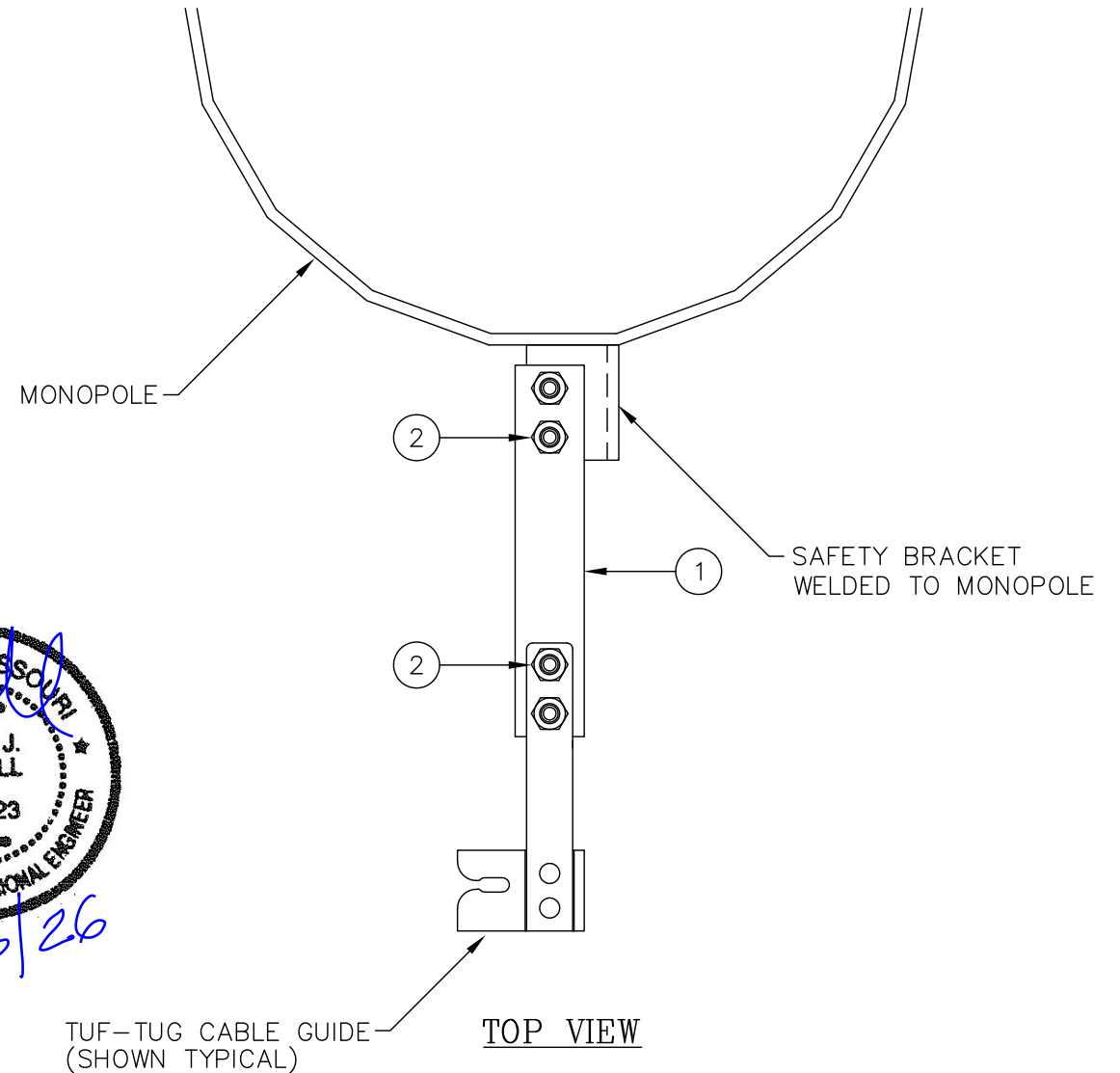
ITEM	QTY.	PART NO.	DESCRIPTION	WEIGHT
1.	1	MS03799	SAFETY CLIMB CABLE GUIDE EXTENSION PLATE	2
2.	4	C40024003	BOLT ASSEMBLY, 3/8 Ø X 1 1/4 GR5 (FULL THREAD)	1
			TOTAL WEIGHT	3



EXPLODED VIEW



TUF-TUG CABLE GUIDE (SHOWN TYPICAL)



TOP VIEW



UNLESS OTHERWISE SPECIFIED ALL DIMENSIONS INCLUDE FINISHES AND ARE IN INCHES
 TOLERANCES: FRACTIONS ± 1/16"
 ANGLES ± 1/2 DEG.
 DECIMALS ± .010"

MATERIAL:
 TOLERANCES DO NOT APPLY TO RAW MATERIAL



CONFIDENTIAL
 This document and the information contained herein is the confidential trade secret property of Sabre Communications Corporation ("Sabre") and must not be reproduced, copied or used, in whole or in part, for any purpose without the prior written consent of Sabre.
 © 2018 Sabre Communications Corporation. All rights reserved.

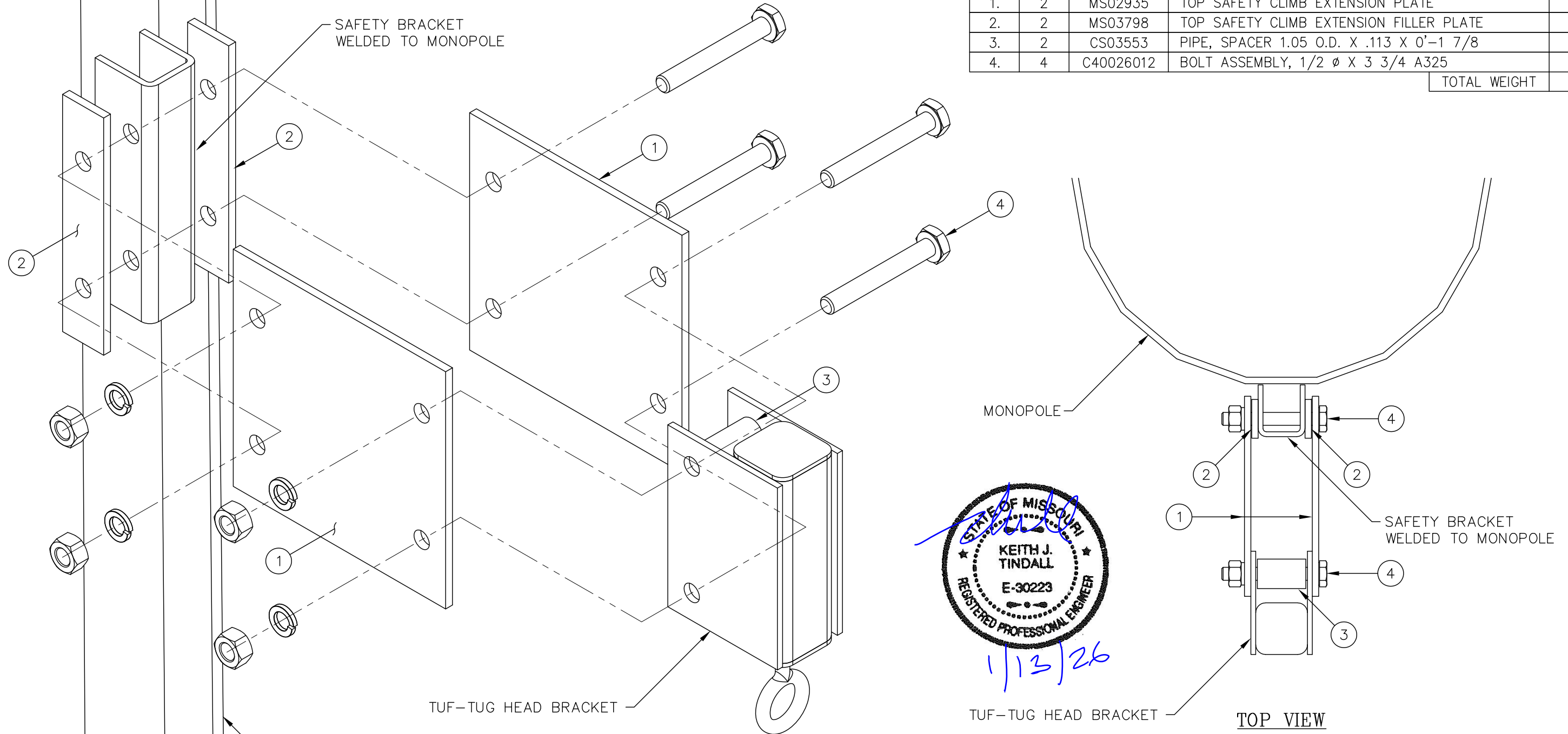
CABLE GUIDE
 SAFETY CLIMB EXTENSION
 FOR TUF-TUG SAFETY DEVICE

REV	DATE	DRWCHK	DESCRIPTION

DATE	2/22/18	SIZE	B	DRAWING NO.	C30012089	REV	0
DRAWN BY	JKW	SCALE	None	PAGE	1	OF	1
CHECKED BY	WJ						

C30012088 TOP BRACKET EXTENSION LIST OF MATERIAL

ITEM	QTY.	PART NO.	DESCRIPTION	WEIGHT
1.	2	MS02935	TOP SAFETY CLIMB EXTENSION PLATE	9
2.	2	MS03798	TOP SAFETY CLIMB EXTENSION FILLER PLATE	2
3.	2	CS03553	PIPE, SPACER 1.05 O.D. X .113 X 0'-1 7/8	1
4.	4	C40026012	BOLT ASSEMBLY, 1/2 ϕ X 3 3/4 A325	2
TOTAL WEIGHT				14



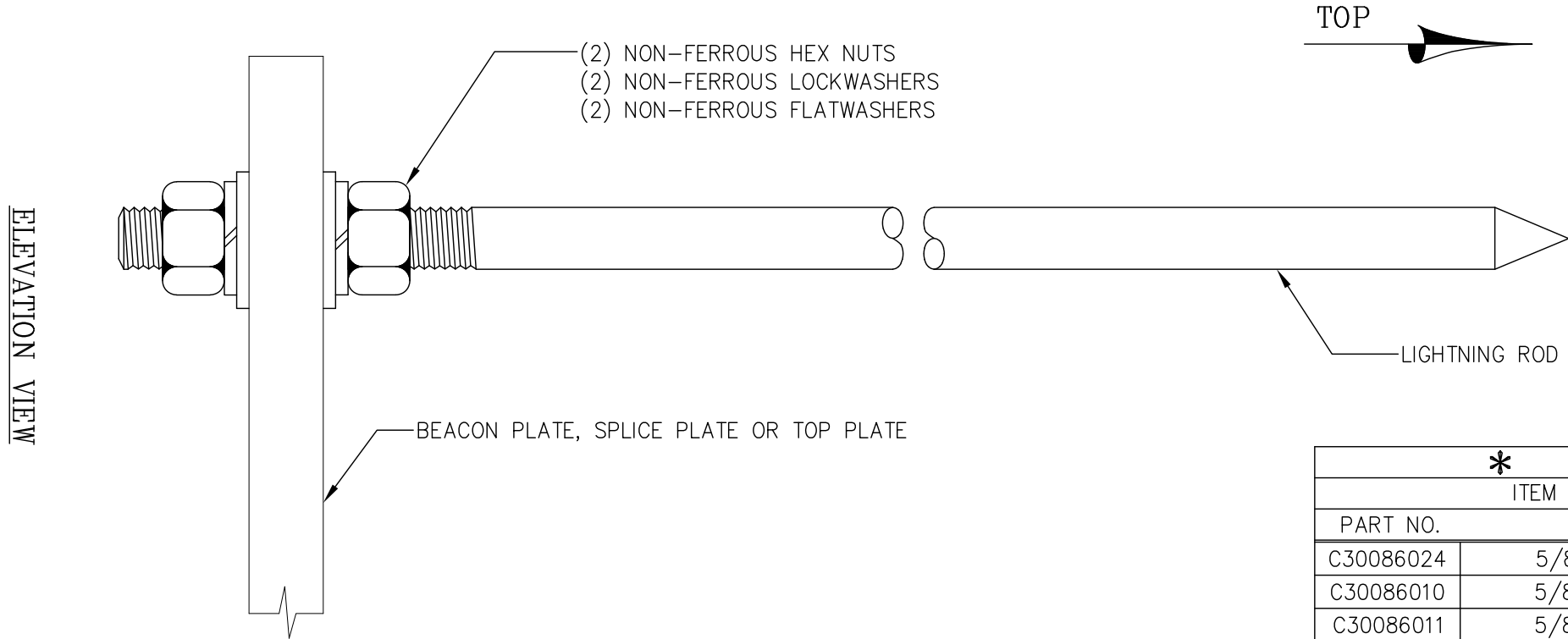
1/13/26

EXPLODED VIEW

TOP VIEW

UNLESS OTHERWISE SPECIFIED ALL DIMENSIONS INCLUDE FINISHES AND ARE IN INCHES		MATERIAL:				TOP BRACKET SAFETY CLIMB EXTENSION FOR TUF-TUG SAFETY DEVICE			
TOLERANCES: FRACTIONS $\pm 1/16"$ ANGLES $\pm 1/2$ DEG. DECIMALS $\pm .010"$		TOLERANCES DO NOT APPLY TO RAW MATERIAL							
CONFIDENTIAL		This document and the information contained herein is the confidential trade secret property of Sabre Communications Corporation ("Sabre") and must not be reproduced, copied or used, in whole or in part, for any purpose without the prior written consent of Sabre.		DATE		SIZE	DRAWING NO.	REV	
© 2018 Sabre Communications Corporation. All rights reserved.				2/22/18		B	C30012088	0	
REV	DATE	DRW	CHK	DESCRIPTION	DRAWN BY	CHECKED BY	SCALE	PAGE	
					JKW	WJ	None	1 OF 1	

LIST OF MATERIAL				
ITEM	QTY.	PART NO.	DESCRIPTION	WEIGHT
1.	1	* *	LIGHTNING ROD W/(2) NUT, LKW, FLW	* *



* *	
ITEM 1	
PART NO.	SIZE
C30086024	5/8"φ X 1'-0"
C30086010	5/8"φ X 2'-0"
C30086011	5/8"φ X 3'-0"
C30086001	5/8"φ X 4'-0"
* C30086008	5/8"φ X 4'-0"
▶ C30086022	5/8"φ X 4'-0"
C30086005	5/8"φ X 5'-0"
C30086006	5/8"φ X 6'-0"
C30086002	5/8"φ X 8'-0"
C30086007	3/4"φ X 6'-0"
C30086003	3/4"φ X 8'-0"
C30086004	3/4"φ X 10'-0"

* THIS LIGHTNING ROD IS STAINLESS STEEL.
▶ THIS LIGHTNING ROD IS GALVANIZED.



1/13/26

UNLESS OTHERWISE SPECIFIED ALL DIMENSIONS INCLUDE FINISHES AND ARE IN INCHES			MATERIAL:		
TOLERANCES: FRACTIONS ± 1/16" ANGLES ± 1/2 DEG. DECIMALS ± .010"			TOLERANCES DO NOT APPLY TO RAW MATERIAL		
10	12/22/15	KTW WTK	REMOVED	5/8"φ X 12'-0"	LIGHTNING ROD.
9	08/19/15	LRS ZAK	ADDED	5/8"φ X 1'	LIGHTNING ROD
8	06/16/15	PSB KTW	ADDED	GALVANIZED 5/8"φ X 4'	LIGHTNING ROD
7	6/6/07	DPJ JPD	ADDED	STAINLESS STEEL 5/8"φ	LIGHTNING ROD
6	09/20/06	KMM CE	ADDED	5/8"φ X 2'	LIGHTNING ROD OPTION
5	4/28/05	CHH HHC	ADDED	5/8"φ X 3'	LIGHTNING ROD OPTION
4	3/12/04	CHH CE	UPDATED	LIST OF MATERIAL	
3	06/18/03	RGF FGR	ADDED	5/8 X 12 FT	LIGHTNING ROD OPTION
2	04/02/03	JKW RWM	ADDED	5/8"φ X 8'-0"	LIGHTNING ROD OPTION.
1	8/19/02	CHH ZAK	CHANGED	PART NO'S. TO CATALOG.	
REV	DATE	DRW CHK	DESCRIPTION		

Sabre Industries™
INNOVATION DELIVERED

CONFIDENTIAL

This document and the information contained herein is the confidential trade secret property of Sabre Industries, Inc. ("Sabre") and must not be reproduced, copied or used, in whole or in part, for any purpose without the prior written consent of Sabre.

© 2022 Sabre Industries, Inc. All rights reserved.

TYPICAL LIGHTNING ROD INSTALLATION					
DATE	1/15/02	SIZE	B	DRAWING NO.	9025689
DRAWN BY	TLH	CHECKED BY	CE	SCALE	None
REV	10	PAGE	1 OF 1		



CUSTOMER : MOTOROLA ISPO
SITE : LEE'S SUMMIT JOF, MO
B.O.M. 120 FT. MONOPOLE

PC=PIECE
 PLT=PALLET
 BDL=BUNDLE
 CRT=CRATE
 D=DRUM
 BX=BOX
 OR=ORANGE
 WH=WHITE
 O/W=OR & WH
 N/R=NOT REQ'D
 SP=SPECIAL

PACKING

ITEM NO.	NO. REQ'D.	DRAWING		PART NO.	DESCRIPTION	TOTAL WEIGHT LBS.	PAINT	KIT	QTY OF PKG'S	PKG. NO.
		NUMBER	REV							
1					ANCHOR BOLTS AND TEMPLATES					
2	2			569487-9001	ANCHOR BOLT TEMPLATES (W\ 50.25" BOLT CIRCLE)	96				
3	18			C40041059	1-1/4" X 5'-3" (ASTM F1554 GRADE 105) OR EQUAL	488				
4					SECTIONS					
5	1			MR5694870110	21'-6" TOP SECTION	1707	G			
6	1			MR5694870120	53'-6" MID SECTION	5072	G			
7	1			MR5694870130	53'-3" BOTTOM SECTION W\ BASE	8527	G			
8					SAFETY CLIMB					
9	1			C30012033	SAFETY-CLIMB-SYSTEM-SELECT-KIT 150'	60				
10	2			C30012089	SAFETY CLIMB EXTENSION KIT	6				
11	1			C30012088	SAFETY CLIMB EXTENSION KIT	14				
12					CLIMBING SYSTEM					
13	8			C40011014	STEP BOLT ANCHOR BRACKET, 45° FORMED YELLOW	6				
14	280			C40044017	STEP BOLT 5/8" X 7"	280				
15					OBSTRUCTION LIGHT MATERIAL					
16	3			C30002002	LIGHT-SIDELIGHT MOUNT	15				
17					MOUNTS					
18	10			C10112377	TRI-COLLAR MOUNT 10"-40" POLE DIAMETER	2080				
19	1			C10112378	TRI-COLLAR MOUNT 12"-60" POLE DIAMETER	366				
20	3			C10117008	DISH-MOUNT-MONO (8' & 10')	237				



				DATE	<u>11/26/25</u>	JOB NO.	<u>569487</u>
				DRAWN BY	<u>PSB</u>	PRINT NO.	<u>BOM-1</u>
				CHECKED BY	<u>MLC</u>	PAGE	<u>1 OF 2</u>
REV	DATE	DRW	CHK	DESCRIPTION			



CUSTOMER : MOTOROLA ISPO

SITE : LEE'S SUMMIT JOF, MO

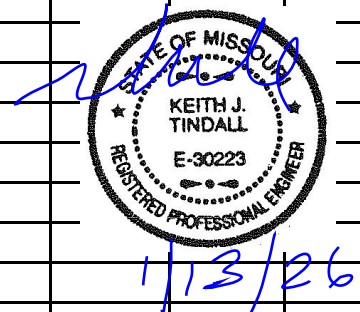
B.O.M. 120 FT. MONOPOLE

PC=PIECE
 PLT=PALLET
 BDL=BUNDLE
 CRT=CRATE
 D=DRUM
 BX=BOX

OR=ORANGE
 WH=WHITE
 O/W=OR & WH
 N/R=NOT REQ'D
 SP=SPECIAL

PACKING

ITEM NO.	NO. REQ'D.	DRAWING		PART NO.	DESCRIPTION	TOTAL WEIGHT LBS.	PAINT	KIT	QTY OF PKG'S	PKG. NO.
		NUMBER	REV							
1					MOUNTS CONT'D					
2	2			C10119106C	SIDE-ARM-MONOPOLE-6'	794				
3	3			C10114003	STANDOFF-ARM-3'	189				
4	1			C10900104	PIPE ANTENNA MOUNTING KIT 2-3/8" X 4'-0"	19				
5	1			C10900105	PIPE ANTENNA MOUNTING KIT 2-3/8" X 5'-0"	22				
6	2			C10900110	PIPE ANTENNA MOUNTING KIT 2-3/8" X 10'-0"	83				
7	2			C10900115	PIPE ANTENNA MOUNTING KIT 2-3/8" X 15'-0"	120				
8					GROUNDING					
9	1			C30086001	LIGHTNING ROD CCS 5/8" X 4'	5				
10					MISCELLANEOUS					
11	2			C30136003	8.5" X 12.5" X 0.1875PL ACCESS COVER (GALV)	13				
12	13			C30136002	6.5" X 12.5" X 0.1875PL ACCESS COVER (GALV)	66				
13	3			C30136001	11" X 26" X 0.1875PL ACCESS COVER (GALV)	49				
14	1			C30170014	TOP COVER KIT 24" TO 28"	96				
15	1			C40068001	13OZ CAN OF COLD GALV SPRAY	1				
16	1			CS00500	NAME PLATE	1				
17										
18										
19										
20										



REV	DATE	DRW	CHK	DESCRIPTION	DATE	11/26/25	JOB NO.	569487
					DRAWN BY	PSB	PRINT NO.	BOM-1
					CHECKED BY	MLC	PAGE	2 OF 2