

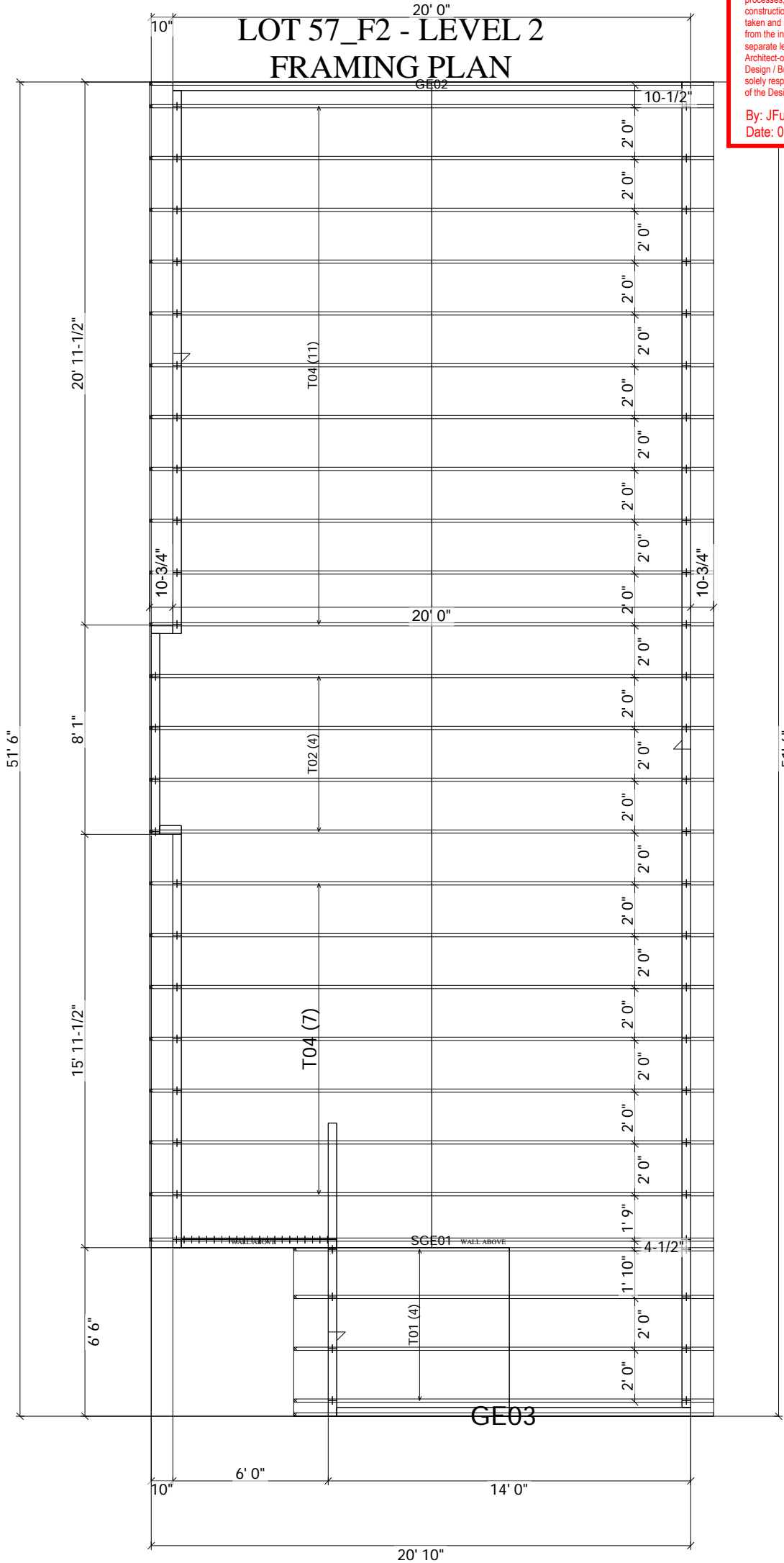
**RELEASE FOR CONSTRUCTION
 AS NOTED ON PLANS REVIEW
 DEVELOPMENT SERVICES
 LEE'S SUMMIT, MISSOURI
 01/14/2026 1:47:35**

STAND STRUCTURAL ENGINEERING
 8234 Robinson St
 Overland Park, KS 66204
 (913) 214-2169

- Reviewed Revise and Resubmit
- Reviewed as Noted Rejected
- Not required by the Contract Documents
- For Record Only

Review is only for general conformance with the design concept and the intent of the Contract Documents. Contractor is solely responsible for verifying dimensions, for establishing fabrication processes, means, techniques, sequences and procedures of construction and for coordination of work of all trades. Review action taken and noted to information shown does not authorize deviations from the intent of the contract documents, unless so stated in a separate letter or Change Order. The Structural Engineer and/or Architect-of-Record retained by the Contractor or his Supplier, for the Design / Build portion of the project represented by this submittal, is solely responsible for the correctness, appropriateness and adequacy of the Design / Build system.

By: JFunk
 Date: 01/08/2026



The truss designs referenced below have been prepared by me or under my direct supervision based on the truss design criteria and requirements ("design criteria") provided by **Quality Line Truss**.

These truss designs are intended for the fabrication of individual building components that will perform to the design criteria provided. Any variance from the design criteria will render the affected truss designs inapplicable.

Listed below are the truss designs included in this package and covered by this seal.

Job: LOT 57_F2_REFRESHED FRAMING_12092025 - 1254614
GE01, GE02, GE03, LVL-NP, LVL_NP, SGE01, T01, T02, T03, T04, T08, F01-Wall, F01, F03, F04-GIRDER, F04-Wall, F04, F05, F06, FG01

Any location identification is for file reference only. No determination of the appropriateness of design criteria for any specific project has been made in preparing the truss designs.

Please refer to individual truss designs for specific design criteria.



**RELEASE FOR CONSTRUCTION
AS NOTED ON PLANS REVIEW
DEVELOPMENT SERVICES
LEE'S SUMMIT, MISSOURI
01/14/2026 1:47:28**

STAND STRUCTURAL ENGINEERING
8234 Robinson St
Overland Park, KS 66204
(913) 214-2169

Reviewed Revise and Resubmit
 Reviewed as Noted Rejected
 Not required by the Contract Documents
 For Record Only

Review is only for general conformance with the design concept and the intent of the Contract Documents. Contractor is solely responsible for verifying dimensions, for establishing fabrication processes, means, techniques, sequences and procedures of construction and for coordination of work of all trades. Review action taken and noted to information shown does not authorize deviations from the intent of the contract documents, unless so stated in a separate letter or Change Order. The Structural Engineer and/or Architect-of-Record retained by the Contractor or his Supplier, for the Design / Build portion of the project represented by this submittal, is solely responsible for the correctness, appropriateness and adequacy of the Design / Build system.

By: JFunk
Date: 01/08/2026

Arturo A. Hernandez (MO, 2006000095)
My license expiration date for the state of MO is 12/31/2026.

IMPORTANT NOTE: The responsibility of the engineer sealing this package, as a Truss Engineer, is solely for design of individual trusses as individual building components based upon design criteria provided by others and set forth in the referenced truss drawings. The truss design criteria for the components have not been verified as appropriate for any particular building, project or use. Adequacy and suitability of design criteria and requirements for the truss designs for any specific project are the responsibility of the building designer, not the Truss Engineer, per ANSI/TPI-1, Chapter 2.

DESIGN NOTES

1. The Truss Design Drawing(s) provided with these Design Notes have been prepared under and are subject to ANSI / TPI 1 published by the Truss Plate Institute, www.tpinst.org. Capitalized terms have the meanings provided in ANSI / TPI 1.
2. Copies of each Truss Design Drawing shall be furnished to the installation contractor, Building Designer, Owner and all persons fabricating, handling, installing, bracing, or erecting the trusses.
- DESIGN LIMITATIONS**
3. The Truss Design Drawing is based upon specifications provided by the Building Designer in accordance with ANSI / TPI 1. Neither the Truss Designer, Eagle, nor an engineer who seals this design (if any) assumes any responsibility for the adequacy or accuracy of specifications provided by the Building Designer.
4. The Building Designer is solely responsible for the suitability based upon the Truss Design Drawing and shall be responsible for reviewing and verifying that the information shown is in general conformance with the design of the Building.
5. Each Truss Design Drawing is for the individual building component (a truss). A seal on the Truss Design Drawing indicates acceptance of professional engineering responsibility solely for the individual truss.
6. Each Truss Design Drawing assumes trusses will be suitably protected from the environment.

HANDLING, INSTALLING, & BRACING

7. Refer to Building Component Safety Information (BCSI) for handling, installing, restraining and bracing trusses. Copies can be obtained from the Structural Building Components Association, www.sbcindustry.com.
8. Bracing shown on each Truss Design Drawing is for lateral support of individual truss components only to reduce buckling lengths. All temporary and permanent bracing, including lateral load and diagonal or cross bracing, are the responsibility, respectively, of the erector and Building Designer.
9. Eagle is not responsible for improper truss fabrication, handling, erection or bracing.
10. Compression chords shall be laterally braced by the roof or floor sheathing, directly attached, or have purlins provided at spacing shown, unless noted otherwise.

11. Bottom chord required bracing shall be at 10ft spacing or less, if no structural rated ceiling is installed, unless noted otherwise.
12. Strongbacking shall be installed on all parallel chord trusses, including flooring systems, to limit deflection and reduce vibration. Refer to BCSI-B7.
13. Never exceed the design loading shown. Never stack building or other materials on inadequately braced truss; refer to BCSI.
14. Concentration of construction loads greater than the design loads shall not be applied to the trusses at any time; refer to BCSI.
15. Trusses shall be handled with care prior to erection to avoid damage. Refer to BCSI for recommended truss handling and erection.

MATERIALS & FABRICATION

16. Lumber moisture content shall be 19% or less at the time of fabrication unless noted otherwise.
17. Lumber used shall be of the species and size, and in all respects, equal to or better than that specified.
18. Unless expressly noted, the truss designs are not applicable for use with fire retardant or preservative treated lumber.
19. Plates shall be applied on both faces of truss at each joint and embedded fully. Knots and wane at joint locations shall be regulated in accordance with ANSI / TPI 1.

20. For a specified plate gauge and grade, the specified size is a minimum.

21. Connections not shown are the responsibility of others.

22. Adequate support shall be provided to resist gravity, lateral and uplift loads.

23. For 4X2 truss orientation, locate plates 0 - 1/16" from outside the edge of the truss.

24. Fabrication of truss shall be in accordance with ANSI / TPI 1.

OTHER NOTES

25. Camber is a non-structural consideration and is the responsibility of truss fabricator.
26. Do not cut or alter any truss member or plate without prior approval from a professional engineer.
27. Lumber design values are in accordance with ANSI / TPI 1; lumber design values are by others.
28. Install specified hangers per manufacturer recommendations.

SYMBOLS

PLATE SIZE

3X4 - The first dimension is the width perpendicular to slots. Second dimension is the length parallel to slots.

-, /, | Indicates required direction of slots; Reference "Joint Details" for more information.

20 Ga Gr40 connectors required

3X10-20HS - 20 Ga Gr60 connectors required

8X10-18HS - 18 Ga Gr60 connectors required

LATERAL BRACING

When this symbol shown, continuous lateral bracing is required on the member of the truss.



BEARING

Indicates location where bearings (supports) occur.



PLATE LOCATION & ORIENTATION

The plate shall be centered on joint and/or placed in accordance with the design drawing/QC full scale details.



REFERENCES

- **ANSI / TPI 1:** National Design Standard for Metal Plate Connected Wood Trusses
- **BCSI:** Building Component & Safety Information - Guide to Good Practice for Handling, Installing, Restraining, & Bracing of Metal Plate Connected Wood Trusses.
- **NDS:** National Design Specification for Wood Construction
- **ESR:** 1082 published by the International Code Council. www.icc-es.org

Quality Line Truss Co., LLC

34593 S 4350 RD
Address 2
Adair, OK 74330

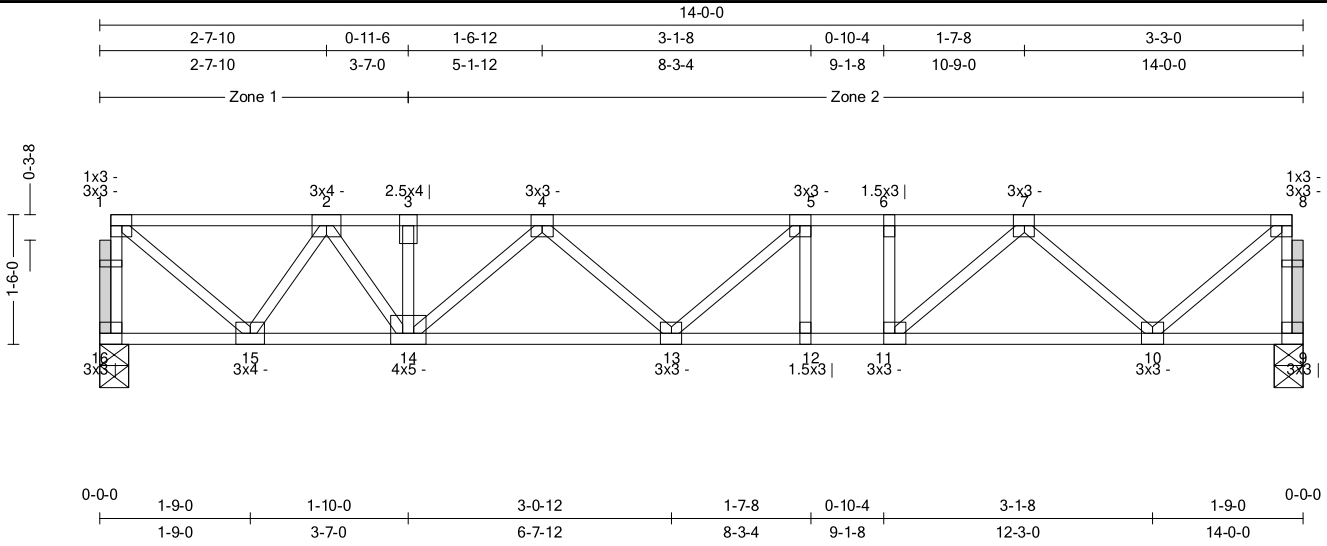
Truss:F01-Wall

Job: LOT 57_F2_REFRESHED FRAMING

Date: 12/17/25 09:58:43

Page: 1 of 1

SPAN 14-0-0 PITCH 0/12 QTY 1 OHL 0-0-0 OHR 0-0-0 PLY(S) 1 SPACING 19.19 in WGT/PLY 76 lbs



All plates shown to be Eagle 20 unless otherwise noted.

Loading (psf)	General	CSI	Deflection	L/	(loc)	Allowed
TCLL: 40	Bldg Code: IBC 2018/	TC: 0.38 (3-4)	Vert TL: 0.05 in	L/999	(12-13)	L/240
TCDL: 10	TPI 1-2014	BC: 0.32 (11-12)	Vert LL: 0.08 in	L/999	(12-13)	L/360
BCLL: 0	Rep Mbr: No	Web: 0.16 (3-14)	Horz TL: 0.01 in		9	
BCDL: 10	Lumber D.O.L.: 100%					

Reaction

JT	Brg Combo	Brg Width	Rqd Brg Width	Max React	Max Grav Uplift	Max MWFRS Uplift	Max C&C Uplift	Max Uplift	Max Horiz
16	1	4 in	1.50 in	183 lbs	-377 lbs			-377 lbs	
9	1	4 in	1.50 in	584 lbs					

Material

TC: SYP#1 4 x 2
BC: SYP#1 4 x 2
Web: SYP#1 4 x 2

Loads

1) Concurrent minimum storage attic loading has been applied in accordance with IBC 1607.1

Load Case D1: Std Dead Load

Point Loads

Member	Location	Direction	Load	Trib Width
Top	3-7-0	Up	800 lbs	

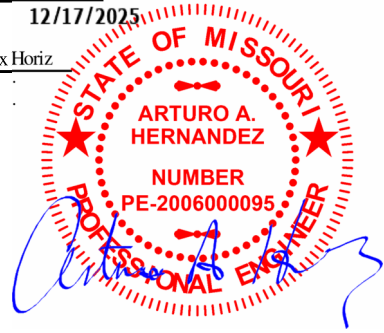
Member Forces

Table indicates: Member ID, max CSI max tension force, (max compression force). Only forces greater than 300lbs are shown in this table.

TC	2-3	0.259	463 lbs	3-4	0.379	1,056 lbs	5-6	0.308	(-1,062 lbs)	7-8	0.378	(-518 lbs)
		0.312	1,056 lbs	4-5	0.359	492 lbs	6-7	0.335	(-1,062 lbs)			
BC	10-11	0.281	927 lbs	12-13	0.318	1,062 lbs	14-15	0.119	(-740 lbs)			
	11-12	0.318	1,062 lbs	13-14	0.194	541 lbs			(-759 lbs)			
Web	1-16	0.083	390 lbs	3-14	0.163	776 lbs	7-10	0.067	(-555 lbs)			
	1-15	0.091		4-14	0.097	(-766 lbs)	8-10	0.114	690 lbs			
	2-15	0.108	511 lbs	4-13	0.091	478 lbs	8-9	0.060	(-563 lbs)			
	2-14	0.077	(-557 lbs)	5-13	0.066	(-487 lbs)						

Notes

- 1) Unless noted otherwise, do not cut or alter any truss member or plate without prior approval from a Professional Engineer.
- 2) Unless otherwise specified by the Building Designer, one strongback every 10'-0".
- 3) The fabrication tolerance for this floor truss is 10% (Cq = 0.90).
- 4) A creep factor of 2.00 has been applied for this truss analysis.
- 5) The "SYP" label shown in the "Material Summary" above indicates the new SPIB design values effective June 1, 2013 were used.
- 6) Indicates non-structural members.
- 7) Due to negative reactions in gravity load cases, special connections to the bearing surface at joint 16 may need to be considered.



WARNING: Verify all design parameters and follow all notes on this drawing and in the Eagle Metal Design Notes. This design is for an individual building component (a truss), not a truss system, and is based only on parameters shown and provided by the Building Designer. The applicability of the design parameters must be verified by the Building Designer and should properly incorporate this design into the overall building design before use. Bracing shown is only to prevent buckling of individual truss web and/or chord members. Additional temporary and permanent bracing is always required to prevent collapse and provide stability. Design valid only when Eagle Metal connectors are used. A seal on this drawing indicates acceptance of professional engineering responsibility solely for the truss component design shown.

TrueBuild® Truss Software v5.8.14
Eagle Metal Products

Quality Line Truss Co., LLC

34593 S 4350 RD
Address 2
Adair, OK 74330

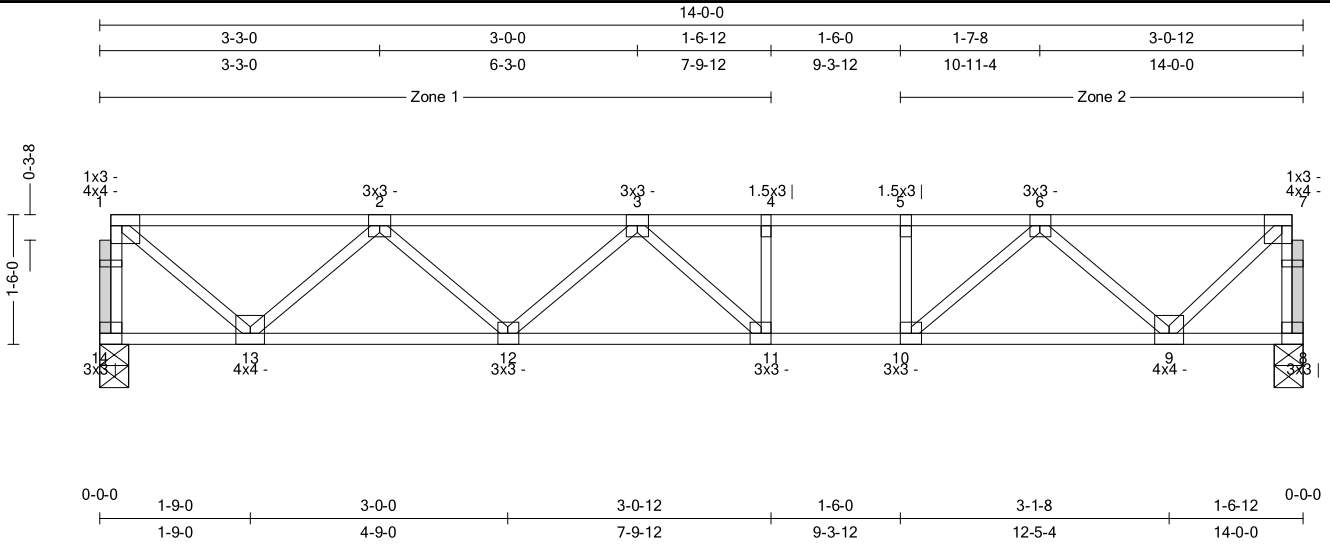
Truss:F01

Job: LOT 57_F2_REFRESHED FRAMING

Date: 12/17/25 09:58:44

Page: 1 of 1

SPAN 14-0-0	PITCH 0/12	QTY 4	OHL 0-0-0	OHR 0-0-0	PLY(S) 1	SPACING 19.19 in	WGT/PLY 72 lbs
----------------	---------------	----------	--------------	--------------	-------------	---------------------	-------------------



All plates shown to be Eagle 20 unless otherwise noted.

Loading (psf)	General	CSI	Deflection	L/	(loc)	Allowed
TCLL: 40	Bldg Code: IBC 2018/	TC: 0.43 (5-6)	Vert TL: 0.19 in	L/ 859	(11-12)	L/ 240
TCDL: 10	TPI 1-2014	BC: 0.58 (10-11)	Vert LL: 0.11 in	L/ 999	(11-12)	L/ 360
BCLL: 0	Rep Mbr: Yes	Web: 0.16 (1-13)	Horz TL: 0.02 in		8	
BCDL: 10	Lumber D.O.L.: 100 %					

12/17/2025

Reaction

JT	Brg Combo	Brg Width	Rqd Brg Width	Max React	Max Grav Uplift	Max MWFRS Uplift	Max C&C Uplift	Max Uplift	Max Horiz
14	1	4 in	1.50 in	783 lbs					
8	1	4 in	1.50 in	783 lbs					

Material

TC: SYP#1 4 x 2
BC: SYP#1 4 x 2
Web: SYP#1 4 x 2

Loads

1) Concurrent minimum storage attic loading has been applied in accordance with IBC 1607.1

Member Forces

Table indicates: Member ID, max CSI, max tension force, (max compression force). Only forces greater than 300lbs are shown in this table.

TC	1-2	0.339	(-743 lbs)	3-4	0.366	(-1,799 lbs)	5-6	0.426	(-1,799 lbs)
	2-3	0.340	(-1,712 lbs)	4-5	0.408	(-1,799 lbs)	6-7	0.325	(-648 lbs)
BC	9-10	0.504	1,305 lbs	11-12	0.538	1,896 lbs			
	10-11	0.578	1,799 lbs	12-13	0.373	1,381 lbs			
Web	1-14	0.081	(-759 lbs)	2-12	0.074	449 lbs	7-9	0.152	917 lbs
	1-13	0.164	990 lbs	6-10	0.119	659 lbs	7-8	0.081	(-755 lbs)
	2-13	0.105	(-865 lbs)	6-9	0.108	(-891 lbs)			

Notes

- 1) Unless noted otherwise, do not cut or alter any truss member or plate without prior approval from a Professional Engineer.
- 2) Unless otherwise specified by the Building Designer, one strongback every 10'-0".
- 3) The fabrication tolerance for this floor truss is 10 % (Cq = 0.90).
- 4) A creep factor of 2.00 has been applied for this truss analysis.
- 5) The "SYP" label shown in the "Material Summary" above indicates the new SPIB design values effective June 1, 2013 were used.
- 6) Indicates non-structural members.



WARNING: Verify all design parameters and follow all notes on this drawing and in the Eagle Metal Design Notes. This design is for an individual building component (a truss), not a truss system, and is based only on parameters shown and provided by the Building Designer. The applicability of the design parameters must be verified by the Building Designer and should properly incorporate this design into the overall building design before use. Bracing shown is only to prevent buckling of individual truss web and/or chord members. Additional temporary and permanent bracing is always required to prevent collapse and provide stability. Design valid only when Eagle Metal connectors are used. A seal on this drawing indicates acceptance of professional engineering responsibility solely for the truss component design shown.

TrueBuild® Truss Software v5.8.14
Eagle Metal Products

Quality Line Truss Co., LLC

34593 S 4350 RD

Address 2

Adair, OK 74330

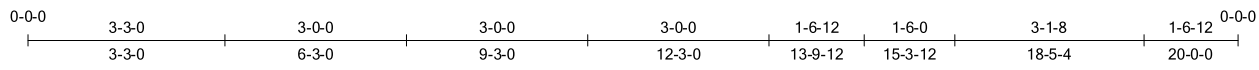
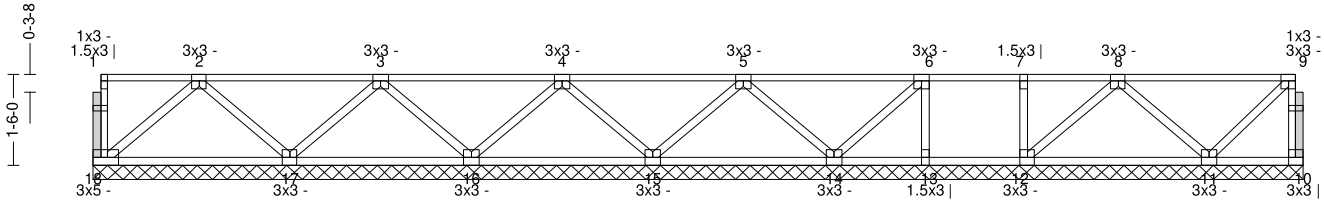
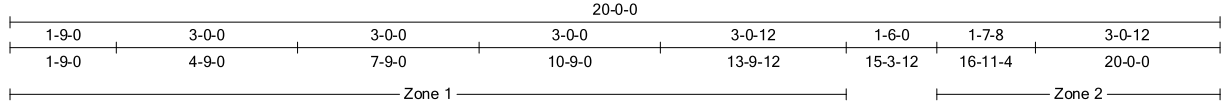
Truss:F04-GIRDER

Job: LOT 57_F2_REFRESHED FRAMING

Date: 12/17/25 09:58:45

Page: 1 of 1

SPAN 20-0-0	PITCH 0/12	QTY 1	OHL 0-0-0	OHR 0-0-0	PLY(S) 1	SPACING 19.19 in	WGT/PLY 99 lbs
----------------	---------------	----------	--------------	--------------	-------------	---------------------	-------------------



All plates shown to be Eagle 20 unless otherwise noted.

Loading (psf)	General	CSI	Deflection	L/	(loc)	Allowed
TCLL: 40 TCDL: 10 BCLL: 0 BCDL: 10	Bldg Code: IBC 2018/ TPI 1-2014 Rep Mbr: No Lumber D.O.L.: 100 %	TC: 0.63 (4-5) BC: 0.06 (17-18) Web: 0.04 (5-14)	Vert TL: 0.01 in Vert LL: 0 in Horz TL: 0 in	L/999 L/999	(17-18) 10	L/240 L/360

Reaction

Brg Combo	Brg Width	Rqd Brg Width	Max React	Max Grav Uplift	Max MWFRS Uplift	Max C&C Uplift	Max Uplift	Max Horiz
1	240 in	N/A	94 lbs
1	240 in	N/A	186 lbs	-130 lbs
1	240 in	N/A	263 lbs	121 lbs
1	240 in	N/A	148 lbs
1	240 in	N/A	288 lbs	-214 lbs
1	240 in	N/A	472 lbs	3 lbs
1	240 in	N/A	360 lbs	117 lbs
1	240 in	N/A	274 lbs	-24 lbs
1	240 in	N/A	165 lbs	122 lbs



Material

TC: SYP2400/1.8 4 x 2
BC: SYP2400/1.8 4 x 2
Web: SYP#1 4 x 2

Load Case D1: Std Dead Load

Point Loads

Member	Location	Direction	Load	Trib Width
Top	9-3-0	Down	300 lbs	

Member Forces

Table indicates: Member ID, max CSI, max tension force, (max compression force). Only forces greater than 300lbs are shown in this table.

TC	BC	Web	Member ID	Force
		4-16	0.041	(-307 lbs)
		4-15	0.042	(-312 lbs)
		5-15	0.042	(-313 lbs)
		5-14	0.044	(-328 lbs)

Notes

- 1) Unless noted otherwise, do not cut or alter any truss member or plate without prior approval from a Professional Engineer.
- 2) Unless otherwise specified by the Building Designer, one strongback every 10'-0".
- 3) The fabrication tolerance for this floor truss is 10 % (Cq = 0.90).
- 4) A creep factor of 2.00 has been applied for this truss analysis.
- 5) The "SYP" label shown in the "Material Summary" above indicates the new SP1B design values effective June 1, 2013 were used.
- 6) Indicates non-structural members.

WARNING: Verify all design parameters and follow all notes on this drawing and in the Eagle Metal Design Notes. This design is for an individual building component (a truss), not a truss system, and is based only on parameters shown and provided by the Building Designer. The applicability of the design parameters must be verified by the Building Designer and should properly incorporate this design into the overall building design before use. Bracing shown is only to prevent buckling of individual truss web and/or chord members. Additional temporary and permanent bracing is always required to prevent collapse and provide stability. Design valid only when Eagle Metal connectors are used. A seal on this drawing indicates acceptance of professional engineering responsibility solely for the truss component design shown.

TrueBuild® Truss Software v5.8.14
Eagle Metal Products

Quality Line Truss Co., LLC

34593 S 4350 RD
Address 2
Adair, OK 74330

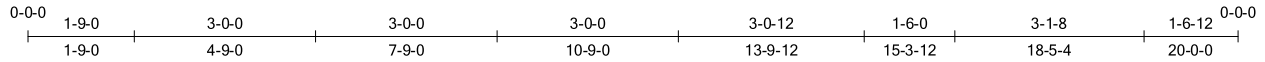
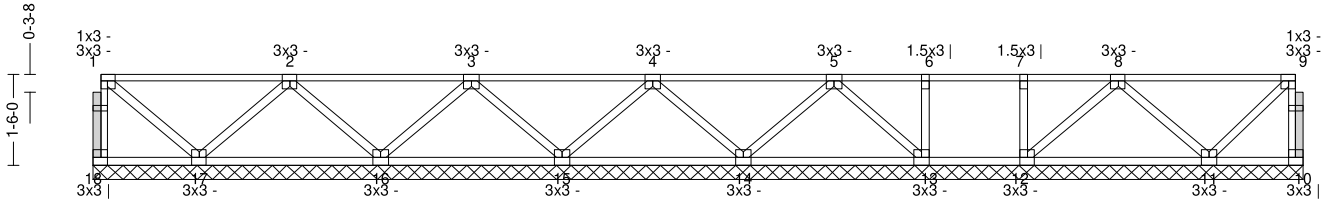
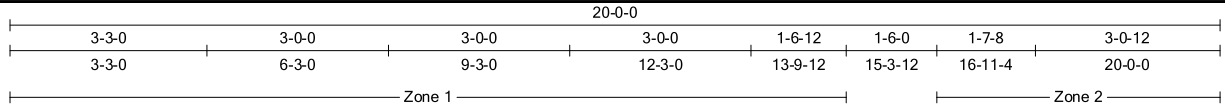
Truss:F04-Wall

Job: LOT 57_F2_REFRESHED FRAMING

Date: 12/17/25 09:58:47

Page: 1 of 1

SPAN 20-0-0	PITCH 0/12	QTY 1	OHL 0-0-0	OHR 0-0-0	PLY(S) 1	SPACING 19.19 in	WGT/PLY 99 lbs
----------------	---------------	----------	--------------	--------------	-------------	---------------------	-------------------



All plates shown to be Eagle 20 unless otherwise noted.

Loading (psf)	General	CSI	Deflection	L/	(loc)	Allowed
TCLL: 40 TCDL: 10 BCLL: 0 BCDL: 10	Bldg Code: IBC 2018/ TPI 1-2014 Rep Mbr: No Lumber D.O.L.: 100 %	TC: 0.79 (1-2) BC: 0.08 (13-14) Web: 0.08 (2-17)	Vert TL: 0.01 in Vert LL: 0.01 in Horz TL: 0 in	L/999 L/999	(11-12) (11-12)	L/240 L/360

12/17/2025

Reaction

Brg Combo	Brg Width	Rqd Brg Width	Max React	Max Grav Uplift	Max MWFRS Uplift	Max C&C Uplift	Max Uplift	Max Horiz
1	240 in	N/A	257 lbs
1	240 in	N/A	491 lbs	-347 lbs
1	240 in	N/A	658 lbs	356 lbs
1	240 in	N/A	663 lbs	-309 lbs
1	240 in	N/A	745 lbs	-94 lbs
1	240 in	N/A	788 lbs	41 lbs
1	240 in	N/A	824 lbs	-57 lbs
1	240 in	N/A	532 lbs	411 lbs
1	240 in	N/A	281 lbs



Material

TC: SYP2400/1.8 4 x 2
BC: SYP2400/1.8 4 x 2
Web: SYP#1 4 x 2

Loads

1) Concurrent minimum storage attic loading has been applied in accordance with IBC 1607.1

Load Case D1: Std Dead Load

Distributed Loads

Member	Location 1	Location 2	Direction	Spread	Start Load	End Load	Trib Width
Top	0-0-0	20-0-0	Down	Proj	150 plf	150 plf	

Member Forces

Table indicates: Member ID, max CSI, max tension force, (max compression force). Only forces greater than 300lbs are shown in this table.

Member	Force	Member	Force	Member	Force
Web	2-17 0.083 (-613 lbs)	4-15 0.073 (-541 lbs)	6-13 0.038 (-540 lbs)	8-12 0.064 (-413 lbs)	8-11 0.072 (-532 lbs)
	2-16 0.078 (-575 lbs)	4-14 0.073 (-498 lbs)	8-12 0.064 (-413 lbs)	8-11 0.072 (-532 lbs)	
	3-16 0.067 (-498 lbs)	5-14 0.056 (-486 lbs)			
	3-15 0.066 (-486 lbs)	5-13 0.056 (-419 lbs)			

Notes

- 1) Unless noted otherwise, do not cut or alter any truss member or plate without prior approval from a Professional Engineer.
- 2) Unless otherwise specified by the Building Designer, one strongback every 10'-0".
- 3) The fabrication tolerance for this floor truss is 10 % (Cq = 0.90).
- 4) A creep factor of 2.00 has been applied for this truss analysis.
- 5) The "SYP" label shown in the "Material Summary" above indicates the new SPIB design values effective June 1, 2013 were used.
- 6) Indicates non-structural members.

WARNING: Verify all design parameters and follow all notes on this drawing and in the Eagle Metal Design Notes. This design is for an individual building component (a truss), not a truss system, and is based only on parameters shown and provided by the Building Designer. The applicability of the design parameters must be verified by the Building Designer and should properly incorporate this design into the overall building design before use. Bracing shown is only to prevent buckling of individual truss web and/or chord members. Additional temporary and permanent bracing is always required to prevent collapse and provide stability. Design valid only when Eagle Metal connectors are used. A seal on this drawing indicates acceptance of professional engineering responsibility solely for the truss component design shown.

TrueBuild® Truss Software v5.8.14
Eagle Metal Products

Quality Line Truss Co., LLC

34593 S 4350 RD

Address 2

Adair, OK 74330

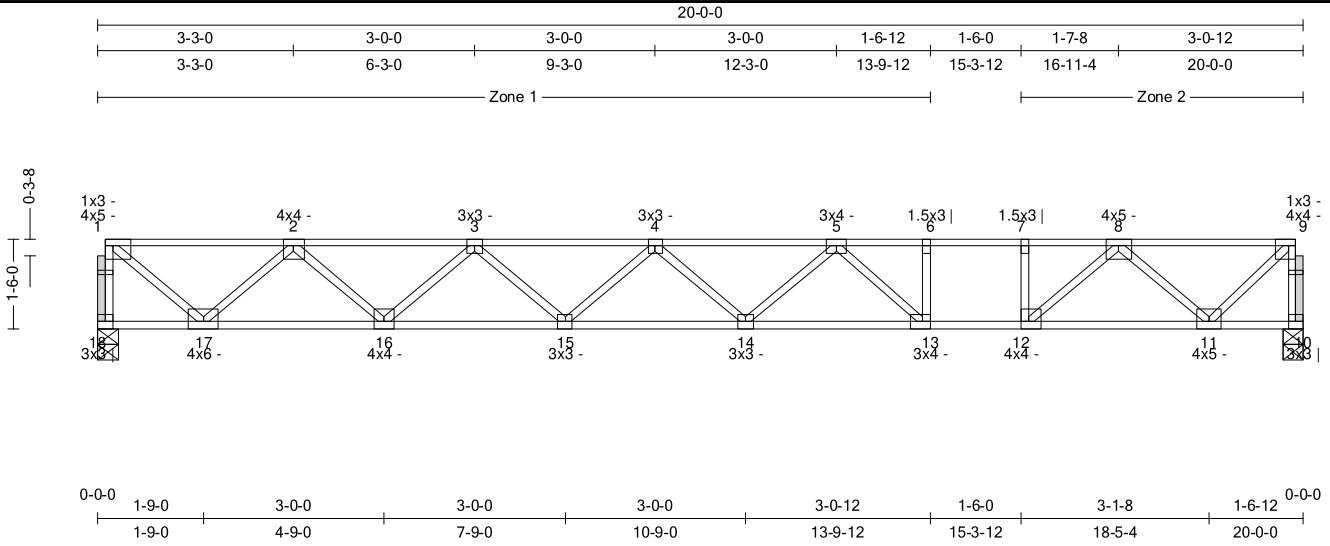
Truss:F04

Job: LOT 57_F2_REFRESHED FRAMING

Date: 12/17/25 09:58:48

Page: 1 of 1

SPAN 20-0-0	PITCH 0/12	QTY 20	OHL 0-0-0	OHR 0-0-0	PLY(S) 1	SPACING 19.19 in	WGT/PLY 101 lbs
----------------	---------------	-----------	--------------	--------------	-------------	---------------------	--------------------



All plates shown to be Eagle 20 unless otherwise noted.

Loading (psf)	General	CSI	Deflection	L/	(loc)	Allowed
TCLL: 40	Bldg Code: IBC 2018/	TC: 0.62 (7-8)	Vert TL: 0.58 in	L/403	(13-14)	L/240
TCDL: 10	TPI 1-2014	BC: 0.72 (13-14)	Vert LL: 0.33 in	L/713	(13-14)	L/360
BCLL: 0	Rep Mbr: Yes	Web: 0.25 (1-17)	Horz TL: 0.06 in			10
BCDL: 10	Lumber D.O.L.: 100%					

12/17/2025

Reaction

JT	Brg Combo	Brg Width	Rqd Brg Width	Max React	Max Grav Uplift	Max MWFRS Uplift	Max C&C Uplift	Max Uplift	Max Horiz
18	1	4 in	1.50 in	1,119 lbs					
10	1	4 in	1.50 in	1,119 lbs					

Material

TC: SYP2400/1.8 4 x 2
 BC: SYP2400/1.8 4 x 2
 Web: SYP#1 4 x 2

Loads

1) Concurrent minimum storage attic loading has been applied in accordance with IBC 1607.1

Member Forces

Table indicates: Member ID, max CSI, max tension force, (max compression force). Only forces greater than 300lbs are shown in this table.

TC	1-2	0.213	(-1,127 lbs)	3-4	0.330	(-3,718 lbs)	5-6	0.595	(-3,082 lbs)	7-8	0.618	(-3,082 lbs)
	2-3	0.250	(-2,817 lbs)	4-5	0.351	(-3,955 lbs)	6-7	0.595	(-3,082 lbs)	8-9	0.239	(-947 lbs)
BC	11-12	0.635	2,013 lbs	13-14	0.720	3,741 lbs	15-16	0.327	3,397 lbs			
	12-13	0.718	3,082 lbs	14-15	0.472	3,963 lbs	16-17	0.226	2,123 lbs			
Web	1-8	0.117	(-1,097 lbs)	3-16	0.095	(-786 lbs)	6-13	0.068	394 lbs	9-11	0.222	1,340 lbs
	1-7	0.249	1,501 lbs	3-15	0.072	436 lbs	7-12	0.064	(-583 lbs)	9-10	0.113	(-1,063 lbs)
	2-7	0.164	(-1,352 lbs)	4-15	0.042	(-332 lbs)	8-12	0.237	1,424 lbs			
	2-16	0.156	942 lbs	5-13	0.114	(-894 lbs)	8-11	0.175	(-1,445 lbs)			

Notes

- 1) Unless noted otherwise, do not cut or alter any truss member or plate without prior approval from a Professional Engineer.
- 2) Unless otherwise specified by the Building Designer, one strongback every 10'-0".
- 3) The fabrication tolerance for this floor truss is 10% (Cq = 0.90).
- 4) A creep factor of 2.00 has been applied for this truss analysis.
- 5) The "SYP" label shown in the "Material Summary" above indicates the new SPIB design values effective June 1, 2013 were used.
- 6) Indicates non-structural members.



WARNING: Verify all design parameters and follow all notes on this drawing and in the Eagle Metal Design Notes. This design is for an individual building component (a truss), not a truss system, and is based only on parameters shown and provided by the Building Designer. The applicability of the design parameters must be verified by the Building Designer and should properly incorporate this design into the overall building design before use. Bracing shown is only to prevent buckling of individual truss web and/or chord members. Additional temporary and permanent bracing is always required to prevent collapse and provide stability. Design valid only when Eagle Metal connectors are used. A seal on this drawing indicates acceptance of professional engineering responsibility solely for the truss component design shown.

TrueBuild® Truss Software v5.8.14
 Eagle Metal Products

Quality Line Truss Co., LLC

34593 S 4350 RD
Address 2
Adair, OK 74330

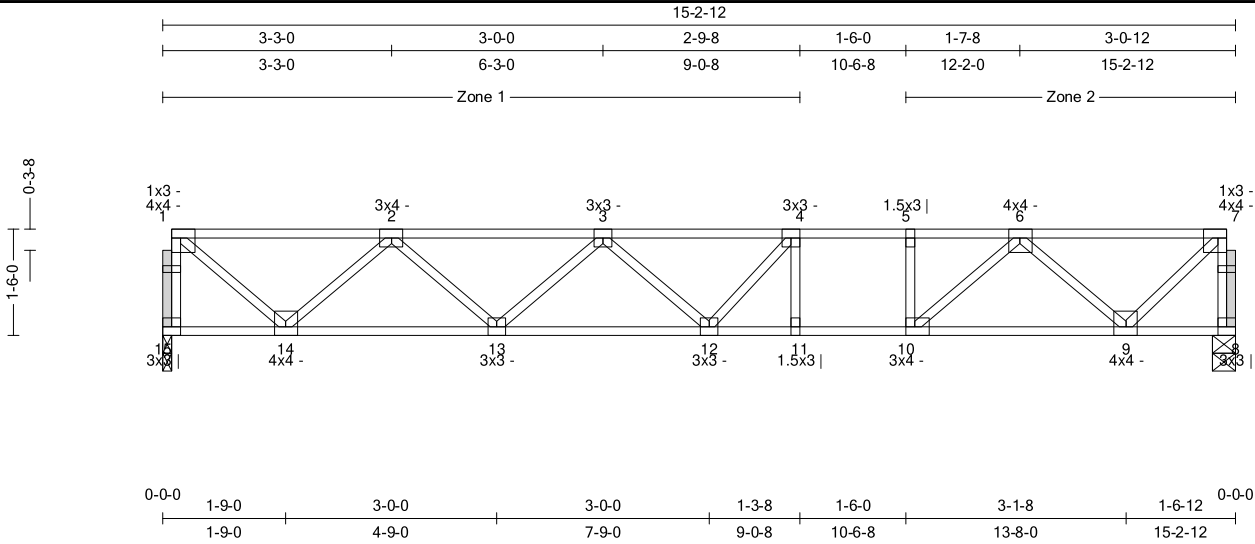
Truss:F05

Job: LOT 57_F2_REFRESHED FRAMING

Date: 12/17/25 09:59:02

Page: 1 of 1

SPAN 15-2-12	PITCH 0/12	QTY 1	OHL 0-0-0	OHR 0-0-0	PLY(S) 1	SPACING 19.19 in	WGT/PLY 78 lbs
-----------------	---------------	----------	--------------	--------------	-------------	---------------------	-------------------



All plates shown to be Eagle 20 unless otherwise noted.

Loading (psf)	General	CSI	Deflection	L/	(loc)	Allowed
TCLL: 40	Bldg Code: IBC 2018/	TC: 0.36 (5-6)	Vert TL: 0.21 in	L/864	(11-12)	L/240
TCDL: 10	TPI 1-2014	BC: 0.61 (10-11)	Vert LL: 0.12 in	L/999	(11-12)	L/360
BCLL: 0	Rep Mbr: No	Web: 0.18 (1-14)	Horz TL: 0.03 in		8	
BCDL: 10	Lumber D.O.L.: 100 %					

12/17/2025

Reaction

JT	Brg Combo	Brg Width	Rqd Brg Width	Max React	Max Grav Uplift	Max MWFRS Uplift	Max C&C Uplift	Max Uplift	Max Horiz
15	1	1.5 in	1.50 in	852 lbs					
8	1	4 in	1.50 in	852 lbs					

Material

TC: SYP2400/1.8 4 x 2
BC: SYP2400/1.8 4 x 2
Web: SYP#1 4 x 2

Loads

1) Concurrent minimum storage attic loading has been applied in accordance with IBC 1607.1

Member Forces

Table indicates: Member ID, max CSI, max tension force, (max compression force). Only forces greater than 300lbs are shown in this table.

TC	1-2	0.239	(-824 lbs)	3-4	0.338	(-2,239 lbs)	5-6	0.356	(-2,061 lbs)
	2-3	0.231	(-1,932 lbs)	4-5	0.342	(-2,061 lbs)	6-7	0.237	(-707 lbs)
BC	9-10	0.447	1,454 lbs	11-12	0.606	2,061 lbs	13-14	0.187	1,525 lbs
	10-11	0.606	2,061 lbs	12-13	0.283	2,238 lbs			
Web	1-15	0.089	(-831 lbs)	3-13	0.052	(-415 lbs)	7-9	0.166	1,000 lbs
	1-14	0.182	1,097 lbs	4-12	0.059	309 lbs	7-8	0.087	(-815 lbs)
	2-14	0.115	(-951 lbs)	6-10	0.142	808 lbs			
	2-13	0.091	552 lbs	6-9	0.123	(-1,013 lbs)			

Notes

- 1) Unless noted otherwise, do not cut or alter any truss member or plate without prior approval from a Professional Engineer.
- 2) Unless otherwise specified by the Building Designer, one strongback every 10'-0".
- 3) The fabrication tolerance for this floor truss is 10 % (Cq = 0.90).
- 4) A creep factor of 2.00 has been applied for this truss analysis.
- 5) The "SYP" label shown in the "Material Summary" above indicates the new SPIB design values effective June 1, 2013 were used.
- 6) Indicates non-structural members.



WARNING: Verify all design parameters and follow all notes on this drawing and in the Eagle Metal Design Notes. This design is for an individual building component (a truss), not a truss system, and is based only on parameters shown and provided by the Building Designer. The applicability of the design parameters must be verified by the Building Designer and should properly incorporate this design into the overall building design before use. Bracing shown is only to prevent buckling of individual truss web and/or chord members. Additional temporary and permanent bracing is always required to prevent collapse and provide stability. Design valid only when Eagle Metal connectors are used. A seal on this drawing indicates acceptance of professional engineering responsibility solely for the truss component design shown.

TrueBuild® Truss Software v5.8.14
Eagle Metal Products

Quality Line Truss Co., LLC

34593 S 4350 RD
Address 2
Adair, OK 74330

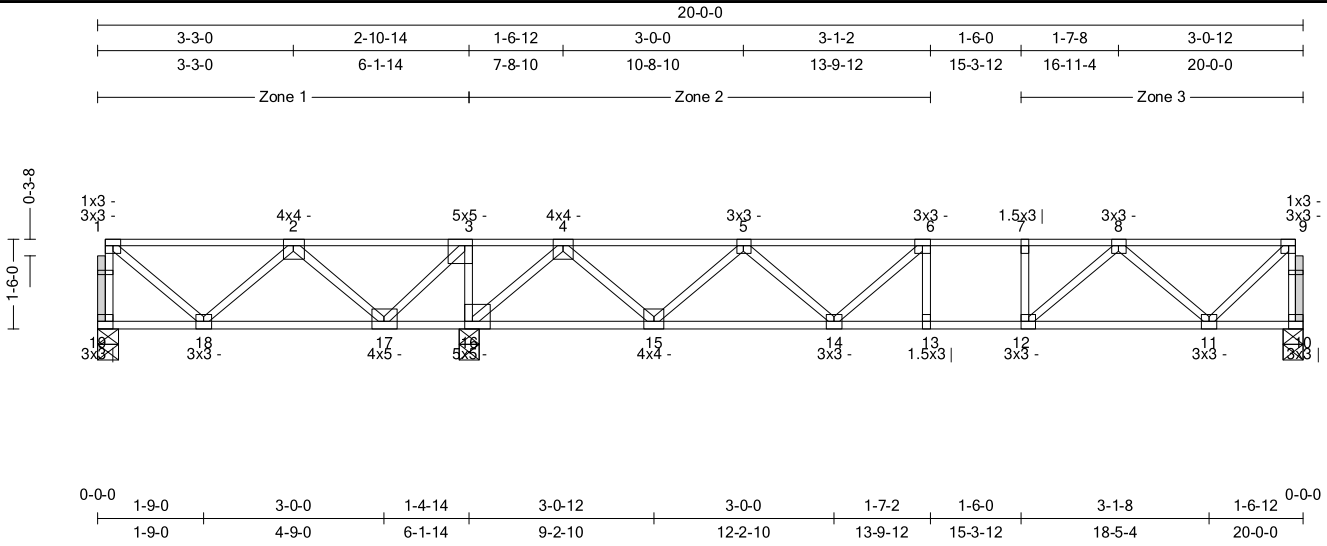
Truss:F06

Job: LOT 57_F2_REFRESHED FRAMING

Date: 12/17/25 09:58:49

Page: 1 of 2

SPAN 20-0-0 PITCH 0/12 QTY 5 OHL 0-0-0 OHR 0-0-0 PLY(S) 1 SPACING 19.19 in WGT/PLY 103 lbs



All plates shown to be Eagle 20 unless otherwise noted.

Loading (psf)	General	CSI	Deflection	L/	(loc)	Allowed
TCLL: 40	Bldg Code: IBC 2018/	TC: 0.75 (2-3)	Vert TL: 0.06 in	L/999	(13-14)	L/240
TCDL: 10	TPI 1-2014	BC: 0.19 (13-14)	Vert LL: 0.05 in	L/999	(13-14)	L/360
BCLL: 0	Rep Mbr: Yes	Web: 0.21 (3-16)	Horz TL: 0.01 in		10	
BCDL: 10	Lumber D.O.L.: 100 %					

12/17/2025

Reaction

JT	Brg Combo	Brg Width	Rqd Brg Width	Max React	Max Grav Uplift	Max MWFRS Uplift	Max C&C Uplift	Max Uplift	Max Horiz
16	1	4 in	1.50 in	2,673 lbs
19	1	4 in	1.50 in	642 lbs
10	1	4 in	1.50 in	628 lbs

Material

TC: SYP2400/1.8 4 x 2
BC: SYP2400/1.8 4 x 2
Web: SYP#1 4 x 2

Loads

1) Concurrent minimum storage attic loading has been applied in accordance with IBC 1607.1

Load Case L1: Std Live Load

Member	Location	Direction	Load	Trib Width
Top	6-1-12	Down	302 lbs	

Load Case D1: Std Dead Load

Member	Location 1	Location 2	Direction	Spread	Start Load	End Load	Trib Width
Top	0-0-0	6-1-12	Down	Proj	150 plf	150 plf	

Member	Location	Direction	Load	Trib Width
Top	6-1-12	Down	302 lbs	

Member Forces

Table indicates: Member ID, max CSI, max tension force, (max compression force). Only forces greater than 300lbs are shown in this table.

TC	1-2	0.593	(-380 lbs)	3-4	0.396	1,441 lbs	6-7	0.096	(-1,218 lbs)	8-9	0.182	(-508 lbs)
	2-3	0.753	605 lbs	5-6	0.192	(-1,024 lbs)	7-8	0.151	(-1,218 lbs)			
BC	11-12	0.162	981 lbs	14-15	0.121	729 lbs	17-18	0.096	698 lbs			
	12-13	0.187	1,218 lbs	15-16	0.057	(-573 lbs)						
	13-14	0.187	1,218 lbs	16-17	0.114	(-1,441 lbs)						
Web	1-19	0.077	(-632 lbs)	3-16	0.212	(-1,820 lbs)	8-12	0.061	320 lbs			
	1-18	0.096	506 lbs	4-16	0.142	(-1,167 lbs)	8-11	0.078	(-642 lbs)			
	2-18	0.058	(-432 lbs)	4-15	0.157	950 lbs	9-11	0.119	719 lbs			
	2-17	0.144	(-1,130 lbs)	5-15	0.098	(-805 lbs)	9-10	0.065	(-610 lbs)			
	3-17	0.204	1,177 lbs	5-14	0.066	400 lbs						



WARNING: Verify all design parameters and follow all notes on this drawing and in the Eagle Metal Design Notes. This design is for an individual building component (a truss), not a truss system, and is based only on parameters shown and provided by the Building Designer. The applicability of the design parameters must be verified by the Building Designer and should properly incorporate this design into the overall building design before use. Bracing shown is only to prevent buckling of individual truss web and/or chord members. Additional temporary and permanent bracing is always required to prevent collapse and provide stability. Design valid only when Eagle Metal connectors are used. A seal on this drawing indicates acceptance of professional engineering responsibility solely for the truss component design shown.

TrueBuild® Truss Software v5.8.14
Eagle Metal Products

Quality Line Truss Co., LLC

34593 S 4350 RD

Address 2

Adair, OK 74330

Truss:F06

Job: LOT 57_F2_REFRESHED FRAMING

Date: 12/17/25 09:58:49

Page: 2 of 2

SPAN
20'-0"

PITCH
0/12

QTY
5

OHL
0'-0"

OHR
0'-0"

PLY(S)
1

SPACING
19.19 in

WGT/PLY
103 lbs

Notes

- 1) Unless noted otherwise, do not cut or alter any truss member or plate without prior approval from a Professional Engineer.
- 2) Unless otherwise specified by the Building Designer, one strongback every 10'-0".
- 3) The fabrication tolerance for this floor truss is 10% (Cq = 0.90).
- 4) A creep factor of 2.00 has been applied for this truss analysis.
- 5) The "SYP" label shown in the "Material Summary" above indicates the new SPIB design values effective June 1, 2013 were used.
- 6) Indicates non-structural members.

WARNING: Verify all design parameters and follow all notes on this drawing and in the Eagle Metal Design Notes. This design is for an individual building component (a truss), not a truss system, and is based only on parameters shown and provided by the Building Designer. The applicability of the design parameters must be verified by the Building Designer and should properly incorporate this design into the overall building design before use. Bracing shown is only to prevent buckling of individual truss web and/or chord members. Additional temporary and permanent bracing is always required to prevent collapse and provide stability. Design valid only when Eagle Metal connectors are used. A seal on this drawing indicates acceptance of professional engineering responsibility solely for the truss component design shown.

TrueBuild® Truss Software v5.8.14
Eagle Metal Products

Quality Line Truss Co., LLC

34593 S 4350 RD
Address 2
Adair, OK 74330

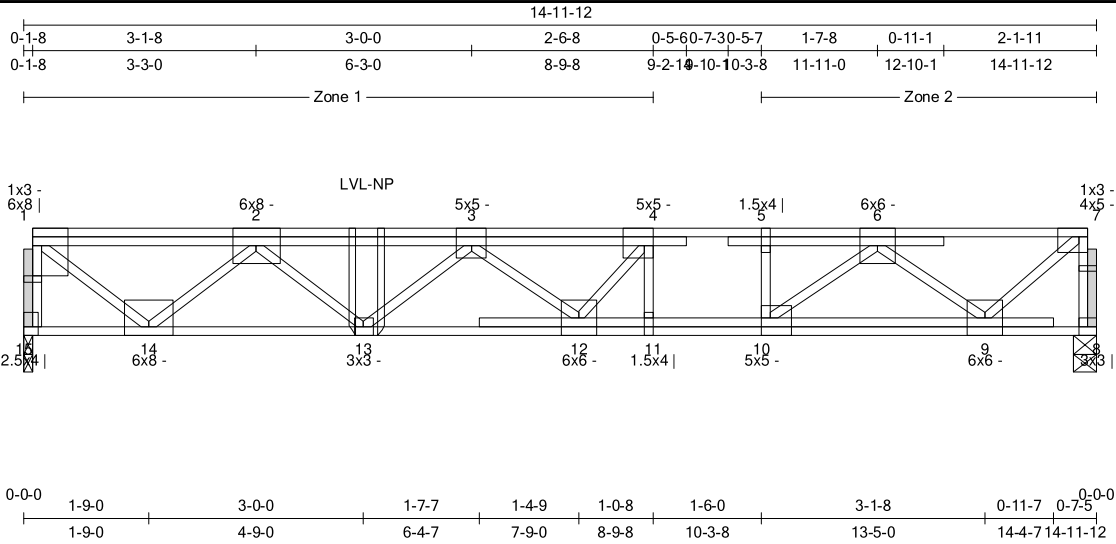
Truss:FG01

Job: LOT 57_F2_REFRESHED FRAMING

Date: 12/17/25 09:59:04

Page: 1 of 2

SPAN 14-11-12 PITCH 0/12 QTY 1 OHL 0-0-0 OHR 0-0-0 PLY(S) 1 SPACING 37.53 in WGT/PLY 108 lbs



All plates shown to be Eagle 20 unless otherwise noted.

Loading (psf)	General	CSI	Deflection	L/	(loc)	Allowed
Carried Loads (psf)	Bldg Code: IBC 2018/	TC: 0.48 (2-3)	Vert TL: 0.19 in	L/911	(11-12)	L/240
TCLL: 40	TPI 1-2014	BC: 0.55 (10-11)	Vert LL: 0.11 in	L/999	(11-12)	L/360
TCDL: 10	Rep Mbr: No	Web: 0.40 (1-14)	Horz TL: 0.04 in		8	
BCLL: 0	Lumber D.O.L.: 100 %					
BCDL: 10						

Reaction

JT	Brg Combo	Brg Width	Rqd Brg Width	Max React	Max Grav Uplift	Max MWFRS Uplift	Max C&C Uplift	Max Uplift	Max Horiz
15	1	1.5 in	1.50 in	1,652 lbs					
8	1	4 in	1.50 in	1,091 lbs					

Material

TC: SYP2400/1.8 4 x 2
BC: SYP2400/1.8 4 x 2
Web: SYP#1 4 x 2

Loads

- This truss has been designed for the effects of (psf) sloped roof snow loads in accordance with ASCE7 - 16 with the following user defined input: 20 psf GSL Terrain C, Exposure (Ce = 1.0), Thermal (Ct = 1.00), DOL = 1.15. If the roof configuration differs from hip/gable, Building Designer shall verify snow loads.
- This truss has not been designed for the effects of unbalanced snow loads.
- Concurrent minimum storage attic loading has been applied in accordance with IBC 1607.1

Load Case L1: Std Live Load

Member	Location 1	Location 2	Direction	Spread	Start Load	End Load	Trib Width
Top	0-0-0	14-11-12	Down	Proj	31.98 plf	31.98 plf	
Top	0-0-0	4-9-8	Down	Proj	93.13 plf	93.13 plf	
Top	4-9-8	14-11-12	Down	Proj	31.98 plf	31.98 plf	

Load Case D1: Std Dead Load

Member	Location 1	Location 2	Direction	Spread	Start Load	End Load	Trib Width
Top	0-0-0	14-11-12	Down	Proj	7.99 plf	7.99 plf	
Top	0-0-0	4-9-8	Down	Proj	23.28 plf	23.28 plf	
Top	4-9-8	14-11-12	Down	Proj	7.99 plf	7.99 plf	
Bot	0-0-0	14-11-12	Down	Proj	7.99 plf	7.99 plf	
Bot	0-0-0	4-9-8	Down	Proj	23.28 plf	23.28 plf	
Bot	4-9-8	14-11-12	Down	Proj	7.99 plf	7.99 plf	

Member Forces

Table indicates: Member ID, max CSL max tension force, (max compression force). Only forces greater than 300lbs are shown in this table.

TC	1-2	0.247	(-1,704 lbs)	3-4	0.224	(-3,801 lbs)	5-6	0.145	(-3,215 lbs)
	2-3	0.477	(-3,665 lbs)	4-5	0.443	(-3,215 lbs)	6-7	0.215	(-1,018 lbs)
BC	9-10	0.341	2,204 lbs	11-12	0.546	3,215 lbs	13-14	0.384	3,152 lbs
	10-11	0.546	3,215 lbs	12-13	0.449	4,107 lbs			
Web	1-15	0.181	(-1,612 lbs)	3-13	0.080	(-600 lbs)	5-10	0.038	(-324 lbs)
	1-14	0.395	2,226 lbs	3-12	0.061	(-468 lbs)	6-10	0.229	1,294 lbs
	2-14	0.253	(-1,924 lbs)	4-12	0.180	950 lbs	6-9	0.191	(-1,549 lbs)
	2-13	0.113	681 lbs	4-11	0.075	(-643 lbs)	7-9	0.241	1,402 lbs



WARNING: Verify all design parameters and follow all notes on this drawing and in the Eagle Metal Design Notes. This design is for an individual building component (a truss), not a truss system, and is based only on parameters shown and provided by the Building Designer. The applicability of the design parameters must be verified by the Building Designer and should properly incorporate this design into the overall building design before use. Bracing shown is only to prevent buckling of individual truss web and/or chord members. Additional temporary and permanent bracing is always required to prevent collapse and provide stability. Design valid only when Eagle Metal connectors are used. A seal on this drawing indicates acceptance of professional engineering responsibility solely for the truss component design shown.

TrueBuild@Truss Software v5.8.14
Eagle Metal Products

Quality Line Truss Co., LLC

34593 S 4350 RD

Address 2

Adair, OK 74330

Truss:FG01

Job: LOT 57_F2_REFRESHED FRAMING

Date: 12/17/25 09:59:04

Page: 2 of 2

SPAN
14-11-12PITCH
0/12QTY
1OHL
0-0-0OHR
0-0-0PLY(S)
1SPACING
37.53 inWGT/PLY
108 lbs**Truss to Truss Connection Summary**

Carried Truss	Carrying Chord	Carrying Offset
LVL-NP	TC	49.8

Notes

- 1) Unless noted otherwise, do not cut or alter any truss member or plate without prior approval from a Professional Engineer.
- 2) Unless otherwise specified by the Building Designer, one strongback every 10'-0".
- 3) The fabrication tolerance for this floor truss is 10 % (Cq = 0.90).
- 4) A creep factor of 2.00 has been applied for this truss analysis.
- 5) The "SYP" label shown in the "Material Summary" above indicates the new SP1B design values effective June 1, 2013 were used.
- 6) Indicates non-structural members.

WARNING: Verify all design parameters and follow all notes on this drawing and in the Eagle Metal Design Notes. This design is for an individual building component (a truss), not a truss system, and is based only on parameters shown and provided by the Building Designer. The applicability of the design parameters must be verified by the Building Designer and should properly incorporate this design into the overall building design before use. Bracing shown is only to prevent buckling of individual truss web and/or chord members. Additional temporary and permanent bracing is always required to prevent collapse and provide stability. Design valid only when Eagle Metal connectors are used. A seal on this drawing indicates acceptance of professional engineering responsibility solely for the truss component design shown.

TrueBuild® Truss Software v5.8.14
Eagle Metal Products

Quality Line Truss Co., LLC

34593 S 4350 RD
Address 2
Adair, OK 74330

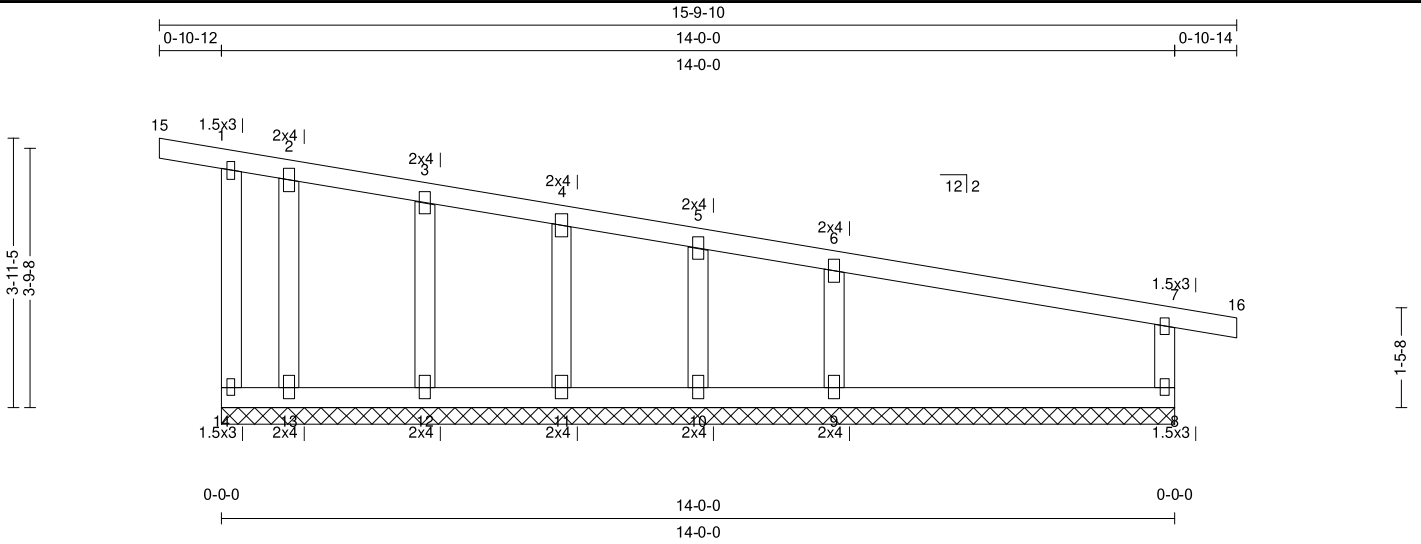
Truss:GE01

Job: LOT 57_F2_REFRESHED FRAMING

Date: 12/17/25 09:58:50

Page: 1 of 1

SPAN 14-0-0	PITCH -2/12	QTY 1	OHL 0-10-12	OHR 0-10-14	CANT L 0-0-0	CANT R 0-0-0	PLY(S) 1	SPACING 24 in	WGT/PLY 65 lbs
----------------	----------------	----------	----------------	----------------	-----------------	-----------------	-------------	------------------	-------------------



All plates shown to be Eagle 20 unless otherwise noted.

Loading (psf)	General	CSI	Deflection	L/	(loc)	Allowed
TCLL: 20	Bldg Code: IBC 2018/	TC: 0.23 (6-7)	Vert TL: 0.02 in	L/999	(8-9)	L/240
TCDL: 10	TPI 1-2014	BC: 0.13 (8-9)	Vert LL: 0 in	L/999	8	L/360
BCLL: 0	Rep Mbr: No	Web: 0.29 (7-8)	Horz TL: 0 in			
BCDL: 10	Lumber D.O.L.: 115 %					

Reaction

Brg Combo	Brg Width	Max React	Ave React	Max Grav Uplift	Max MWFRS Uplift	Max C&C Uplift	Max Uplift	Max Horiz
1		381 lbs	90 plf		-96 lbs	-222 lbs	-222 lbs	-123 lbs

Material

TC: SYP#1 2 x 4
BC: SYP#1 2 x 4
Web: SYP#2 2 x 4

Bracing

TC: Sheathed or Purlins at 6-3-0, Purlin design by Others.
BC: Sheathed or Purlins at 10-0-0, Purlin design by Others.

Loads

- This truss has been designed for the effects of balanced (20 psf) sloped roof snow loads in accordance with ASCE7 - 16 with the following user defined input: 20 psf GSL, Terrain C, Exposure (Ce = 1.0), Thermal (Ct = 1.00), DOL = 1.15. If the roof configuration differs from hip/gable, Building Designer shall verify snow loads.
- This truss has not been designed for the effects of unbalanced snow loads.
- This truss has been designed to account for the effects of ice dams forming at the eaves.
- This truss has been designed for the effects of wind loads in accordance with ASCE7 - 16 with the following user defined input: 115 mph (Factored), Exposure C, Enclosed, Gable/Hip, Risk Category II, Overall Bldg Dims 25 ft x 60 ft, h = 15 ft, End Zone Truss, Both end webs considered. DOL = 1.60

Member Forces

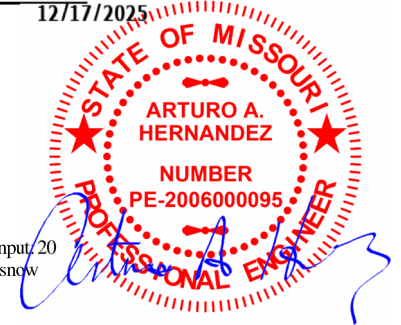
Table indicates: Member ID, max CSI, max tension force, (max compression force). Only forces greater than 300lbs are shown in this table.

TC	BC	Web

Notes

- Unless noted otherwise, do not cut or alter any truss member or plate without prior approval from a Professional Engineer.
- Gable requires continuous bottom chord bearing.
- Gable webs placed at 24" OC, U.N.O.
- Attach gable webs with 2x4 20ga plates, U.N.O.
- Bracing shown is for in-plane requirements. For out-of-plane requirements, refer to BCSI-B3 published by the SBCA.
- The fabrication tolerance for this roof truss is 20% (Cq = 0.80).
- A creep factor of 2.00 has been applied for this truss analysis.
- The "SYP" label shown in the "Material Summary" above indicates the new SP1B design values effective June 1, 2013 were used.
- Listed wind uplift reactions based on MWFRS & C&C loading.

12/17/2025



WARNING: Verify all design parameters and follow all notes on this drawing and in the Eagle Metal Design Notes. This design is for an individual building component (a truss), not a truss system, and is based only on parameters shown and provided by the Building Designer. The applicability of the design parameters must be verified by the Building Designer and should properly incorporate this design into the overall building design before use. Bracing shown is only to prevent buckling of individual truss web and/or chord members. Additional temporary and permanent bracing is always required to prevent collapse and provide stability. Design valid only when Eagle Metal connectors are used. A seal on this drawing indicates acceptance of professional engineering responsibility solely for the truss component design shown.

TrueBuild® Truss Software v5.8.14
Eagle Metal Products

Quality Line Truss Co., LLC

34593 S 4350 RD
Address 2
Adair, OK 74330

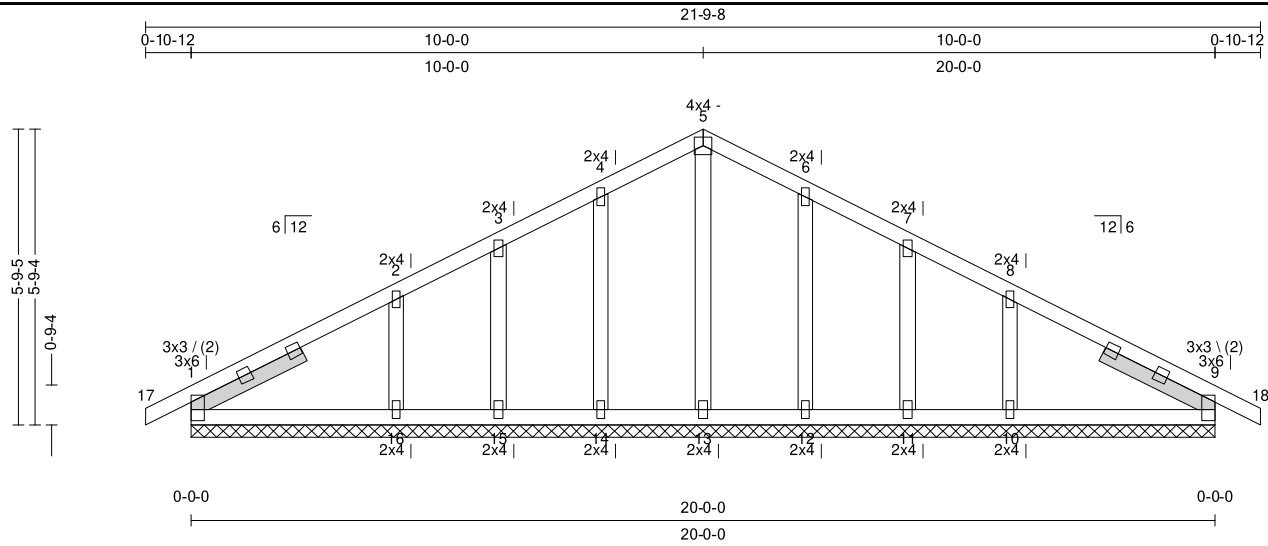
Truss:GE02

Job: LOT 57_F2_REFRESHED FRAMING

Date: 12/17/25 09:58:52

Page: 1 of 1

SPAN 20-0-0	PITCH 6/12	QTY 1	OHL 0-10-12	OHR 0-10-12	CANT L 0-0-0	CANT R 0-0-0	PLY(S) 1	SPACING 24 in	WGT/PLY 105 lbs
----------------	---------------	----------	----------------	----------------	-----------------	-----------------	-------------	------------------	--------------------



All plates shown to be Eagle 20 unless otherwise noted.

Loading (psf)	General	CSI	Deflection	L/	(loc)	Allowed
TCLL: 20	Bldg Code: IBC 2018/	TC: 0.10 (8-9)	Vert TL: 0 in	L/999	(9-10)	L/240
TCDL: 10	TPI 1-2014	BC: 0.05 (9-10)	Vert LL: 0 in	L/999	9	L/360
BCLL: 0	Rep Mbr: No	Web: 0.06 (6-12)	Horz TL: 0 in			
BCDL: 10	Lumber D.O.L.: 115 %					

12/17/2025

Reaction

Brg Combo	Brg Width	Max React	Ave React	Max Grav Uplift	Max MWFRS Uplift	Max C&C Uplift	Max Uplift	Max Horiz
1		575 lbs	152 plf	-311 lbs	-236 lbs	-451 lbs	-451 lbs	-231 lbs

Material

TC: SYP#1 2 x 4
BC: SYP#1 2 x 4
Web: SYP#2 2 x 4

Bracing

TC: Sheathed or Purlins at 6-3-0, Purlin design by Others.
BC: Sheathed or Purlins at 10-0-0, Purlin design by Others.



Loads

- This truss has been designed for the effects of balanced (14 psf) and unbalanced sloped roof snow loads in accordance with ASCE7 - 16 with the following user defined input: 20 psf GSL, Terrain C, Exposure (Ce = 1.0), Thermal (Ct = 1.00), DOL = 1.15. If the roof configuration differs from hip/gable, Building Designer shall verify snow loads.
- This truss has been designed to account for the effects of ice dams forming at the eaves.
- This truss has been designed for the effects of wind loads in accordance with ASCE7 - 16 with the following user defined input: 115 mph (Factored), Exposure C, Enclosed, Gable/Hip, Risk Category II, Overall Bldg Dims 25 ft x 60 ft, h = 15 ft, End Zone Truss, Both end webs considered. DOL = 1.60
- This truss has been designed for the effects of a 18 psf live load computed in accordance with IBC 2018 assuming slope = 6/12 and area supported = 43.58 ft^2, DOL = 115 %.

Member Forces

Table indicates: Member ID, max CSL, max tension force, (max compression force). Only forces greater than 300lbs are shown in this table.

TC	1-2	0.097	359 lbs	(-370 lbs)
	8-9	0.097	359 lbs	(-370 lbs)

BC

Web

Notes

- Unless noted otherwise, do not cut or alter any truss member or plate without prior approval from a Professional Engineer.
- Gable requires continuous bottom chord bearing.
- Gable webs placed at 24" OC, U.N.O.
- Attach gable webs with 2x4 20ga plates, U.N.O.
- Bracing shown is for in-plane requirements. For out-of-plane requirements, refer to BCSI-B3 published by the SBCA.
- The fabrication tolerance for this roof truss is 20% (Cq = 0.80).
- A creep factor of 2.00 has been applied for this truss analysis.
- The "SYP" label shown in the "Material Summary" above indicates the new SPIB design values effective June 1, 2013 were used.
- ☐ Indicates non-structural members.
- Due to negative reactions in gravity load cases, special connections to the bearing surface at joints 9, 1 may need to be considered.
- Listed wind uplift reactions based on MWFRS & C&C loading.

WARNING: Verify all design parameters and follow all notes on this drawing and in the Eagle Metal Design Notes. This design is for an individual building component (a truss), not a truss system, and is based only on parameters shown and provided by the Building Designer. The applicability of the design parameters must be verified by the Building Designer and should properly incorporate this design into the overall building design before use. Bracing shown is only to prevent buckling of individual truss web and/or chord members. Additional temporary and permanent bracing is always required to prevent collapse and provide stability. Design valid only when Eagle Metal connectors are used. A seal on this drawing indicates acceptance of professional engineering responsibility solely for the truss component design shown.

TrueBuild® Truss Software v5.8.14
Eagle Metal Products

Quality Line Truss Co., LLC

34593 S 4350 RD
Address 2
Adair, OK 74330

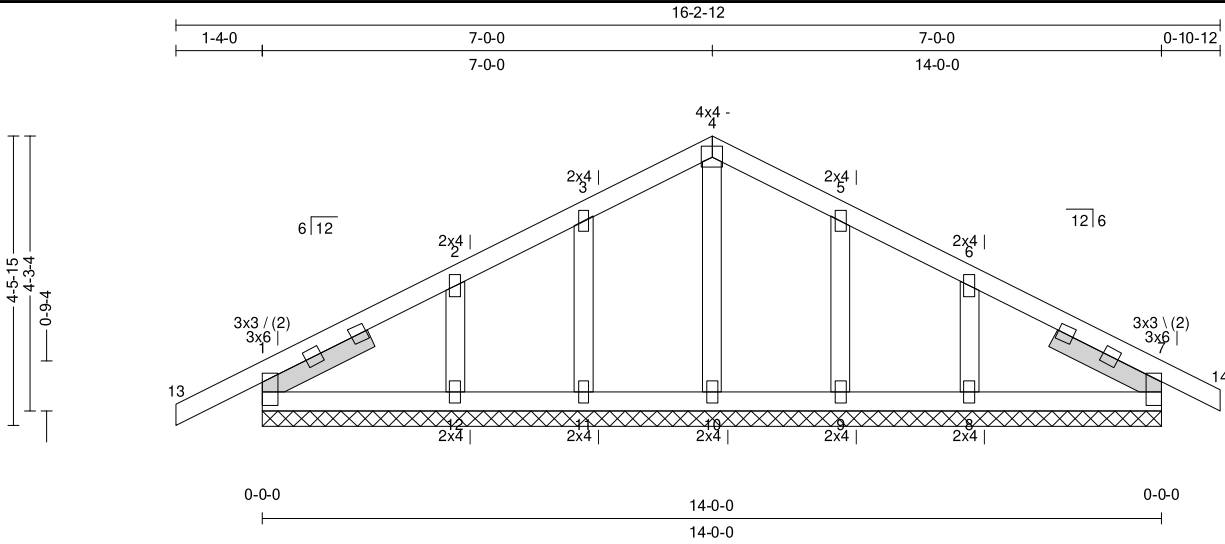
Truss:GE03

Job: LOT 57_F2_REFRESHED FRAMING

Date: 12/17/25 09:58:53

Page: 1 of 1

SPAN 14-0-0	PITCH 6/12	QTY 1	OHL 1-4-0	OHR 0-10-12	CANT L 0-0-0	CANT R 0-0-0	PLY(S) 1	SPACING 24 in	WGT/PLY 70 lbs
----------------	---------------	----------	--------------	----------------	-----------------	-----------------	-------------	------------------	-------------------



All plates shown to be Eagle 20 unless otherwise noted.

Loading (psf)	General	CSI	Deflection	L/	(loc)	Allowed
TCLL: 20	Bldg Code: IBC 2018/	TC: 0.13 (13-1)	Vert TL: 0 in	L/999	7	L/240
TCDL: 10	TPI 1-2014	BC: 0.03 (8-9)	Vert LL: 0 in	L/999	7	L/360
BCLL: 0	Rep Mbr: No	Web: 0.03 (3-11)	Horz TL: 0 in			
BCDL: 10	Lumber D.O.L.: 115 %					

12/17/2025

Reaction	Brg Combo	Brg Width	Max React	Ave React	Max Grav Uplift	Max MWFRS Uplift	Max C&C Uplift	Max Uplift	Max Horiz
	1		285 lbs	126 plf	-77 lbs	-125 lbs	-281 lbs	-281 lbs	199 lbs

Material
TC: SYP#1 2 x 4
BC: SYP#1 2 x 4
Web: SYP#2 2 x 4

Bracing
TC: Sheathed or Purlins at 6-3-0, Purlin design by Others.
BC: Sheathed or Purlins at 10-0-0, Purlin design by Others.



Loads
1) This truss has been designed for the effects of balanced (14 psf) and unbalanced sloped roof snow loads in accordance with ASCE7 - 16 with the following user defined input: 20 psf GSL, Terrain C, Exposure (Ce = 1.0), Thermal (Ct = 1.00), DOL = 1.15. If the roof configuration differs from hip/gable, Building Designer shall verify snow loads.
2) This truss has been designed to account for the effects of ice dams forming at the eaves.
3) This truss has been designed for the effects of wind loads in accordance with ASCE7 - 16 with the following user defined input: 115 mph (Factored), Exposure C, Enclosed, Gable/Hip, Risk Category II, Overall Bldg Dims 25 ft x 60 ft, h = 15 ft, End Zone Truss, Both end webs considered. DOL = 1.60
4) This truss has been designed for the effects of a 18 psf live load computed in accordance with IBC 2018 assuming slope = 6/12 and area supported = 32.46 ft^2, DOL = 115 %.

Member Forces Table indicates: Member ID, max CSI, max tension force, (max compression force). Only forces greater than 300lbs are shown in this table.

TC	BC	Web

- Notes**
- 1) Unless noted otherwise, do not cut or alter any truss member or plate without prior approval from a Professional Engineer.
 - 2) Gable requires continuous bottom chord bearing.
 - 3) Gable webs placed at 24" OC, U.N.O.
 - 4) Attach gable webs with 2x4 20ga plates, U.N.O.
 - 5) Bracing shown is for in-plane requirements. For out-of-plane requirements, refer to BCSI-B3 published by the SBCEA.
 - 6) The fabrication tolerance for this roof truss is 20% (Cq = 0.80).
 - 7) A creep factor of 2.00 has been applied for this truss analysis.
 - 8) The "SYP" label shown in the "Material Summary" above indicates the new SPIB design values effective June 1, 2013 were used.
 - 9) Indicates non-structural members.
 - 10) Due to negative reactions in gravity load cases, special connections to the bearing surface at joints 7, 1, 1 may need to be considered.
 - 11) Listed wind uplift reactions based on MWFRS & C&C loading.

WARNING: Verify all design parameters and follow all notes on this drawing and in the Eagle Metal Design Notes. This design is for an individual building component (a truss), not a truss system, and is based only on parameters shown and provided by the Building Designer. The applicability of the design parameters must be verified by the Building Designer and should properly incorporate this design into the overall building design before use. Bracing shown is only to prevent buckling of individual truss web and/or chord members. Additional temporary and permanent bracing is always required to prevent collapse and provide stability. Design valid only when Eagle Metal connectors are used. A seal on this drawing indicates acceptance of professional engineering responsibility solely for the truss component design shown.

TrueBuild® Truss Software v5.8.14
Eagle Metal Products

Quality Line Truss Co., LLC

34593 S 4350 RD
Address 2
Adair, OK 74330

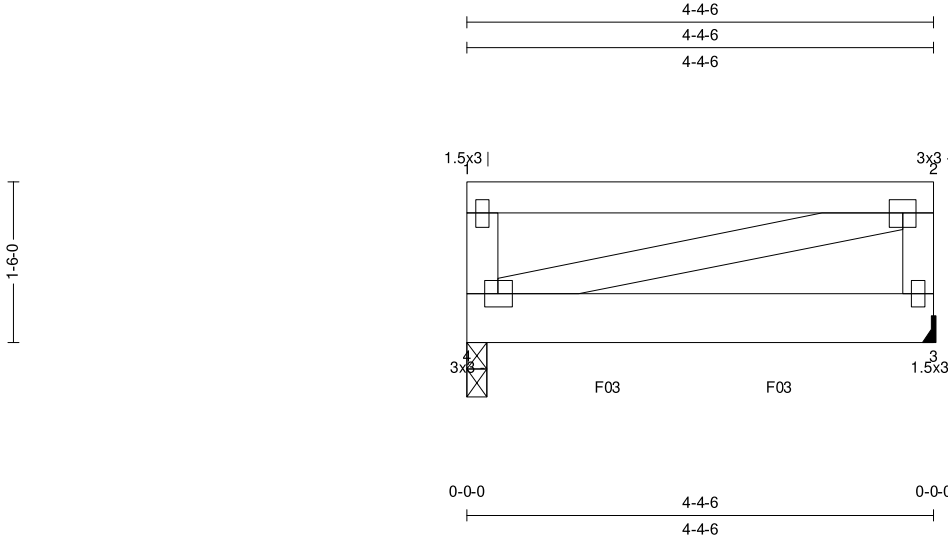
Truss:LVL-NP

Job: LOT 57_F2_REFRESHED FRAMING

Date: 12/17/25 09:59:02

Page: 1 of 1

SPAN 4-4-6	PITCH 0/12	QTY 1	OHL 0-0-0	OHR 0-0-0	CANT L 0-0-0	CANT R 0-0-0	PLY(S) 1	SPACING 12 in	WGT/PLY 23 lbs
---------------	---------------	----------	--------------	--------------	-----------------	-----------------	-------------	------------------	-------------------



All plates shown to be Eagle 20 unless otherwise noted.

Loading (psf)	General	CSI	Deflection	L/	(loc)	Allowed
Carried Loads (psf)	Bldg Code : IBC 2018/	TC : 0.23 (1-2)	Vert TL: 0.07 in	L/ 661	(3-4)	L/ 240
TCLL : 40	TPI 1-2014	BC : 0.72 (3-4)	Vert LL: 0.05 in	L/ 999	(3-4)	L/ 360
TCDL : 10	Rep Mbr : No	Web : 0.02 (1-4)	Horz TL: 0 in		3	
BCLL : 0	Lumber D.O.L. : 115 %					
BCDL : 10						

12/17/2025

Reaction

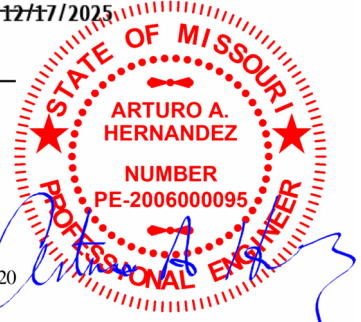
JT	Brg Combo	Brg Width	Rqd Brg Width	Max React	Max Grav Uplift	Max MWFRS Uplift	Max C&C Uplift	Max Uplift	Max Horiz
4	1	2.188 in	1.50 in	677 lbs					25 lbs
3	1	1.5 in	---	640 lbs					

Material

TC: SYP#1 2 x 4
BC: SYP#1 2 x 6
Web: SYP#1 2 x 4

Bracing

TC: Sheathed or Purlins at 6-3-0, Purlin design by Others.
BC: Sheathed or Purlins at 10-0-0, Purlin design by Others.



Loads

- This truss has been designed for the effects of balanced (20 psf) sloped roof snow loads in accordance with ASCE7 - 16 with the following user defined input: 20 psf GSL, Terrain C, Exposure (Ce = 1.0), Thermal (Ct = 1.00), DOL = 1.15. If the roof configuration differs from hip/gable, Building Designer shall verify snow loads.
- This truss has not been designed for the effects of unbalanced snow loads.
- This truss has been designed for the effects of wind loads in accordance with ASCE7 - 16 with the following user defined input: 115 mph (Factored), Exposure C, Enclosed, Gable/Hip, Risk Category II, Overall Bldg Dims 25 ft x 60 ft, h = 15 ft, End Zone Truss, Both end webs considered. DOL = 1.60
- Concurrent minimum storage attic loading has been applied in accordance with IBC 1607.1

Member Forces

Table indicates: Member ID, max CSL, max tension force, (max compression force). Only forces greater than 300lbs are shown in this table.

TC	BC	Web

Truss to Truss Connection Summary

Carried Truss	Carrying Chord	Carrying Offset
F03	BC	1-3-12
F03	BC	2-10-15

Notes

- Unless noted otherwise, do not cut or alter any truss member or plate without prior approval from a Professional Engineer.
- The fabrication tolerance for this roof truss is 20 % (Cq = 0.80).
- Hanger is for graphical interpretation only. Install hanger per manufacturer's recommendation.
- Provide adequate drainage to prevent ponding.
- Brace bottom chord with approved sheathing or purlins per Bracing Summary.
- A creep factor of 2.00 has been applied for this truss analysis.
- The "SYP" label shown in the "Material Summary" above indicates the new SPIB design values effective June 1, 2013 were used.
- Listed wind uplift reactions based on MWFRS & C&C loading.

WARNING: Verify all design parameters and follow all notes on this drawing and in the Eagle Metal Design Notes. This design is for an individual building component (a truss), not a truss system, and is based only on parameters shown and provided by the Building Designer. The applicability of the design parameters must be verified by the Building Designer and should properly incorporate this design into the overall building design before use. Bracing shown is only to prevent buckling of individual truss web and/or chord members. Additional temporary and permanent bracing is always required to prevent collapse and provide stability. Design valid only when Eagle Metal connectors are used. A seal on this drawing indicates acceptance of professional engineering responsibility solely for the truss component design shown.

TrueBuild® Truss Software v5.8.14
Eagle Metal Products

Quality Line Truss Co., LLC

34593 S 4350 RD
Address 2
Adair, OK 74330

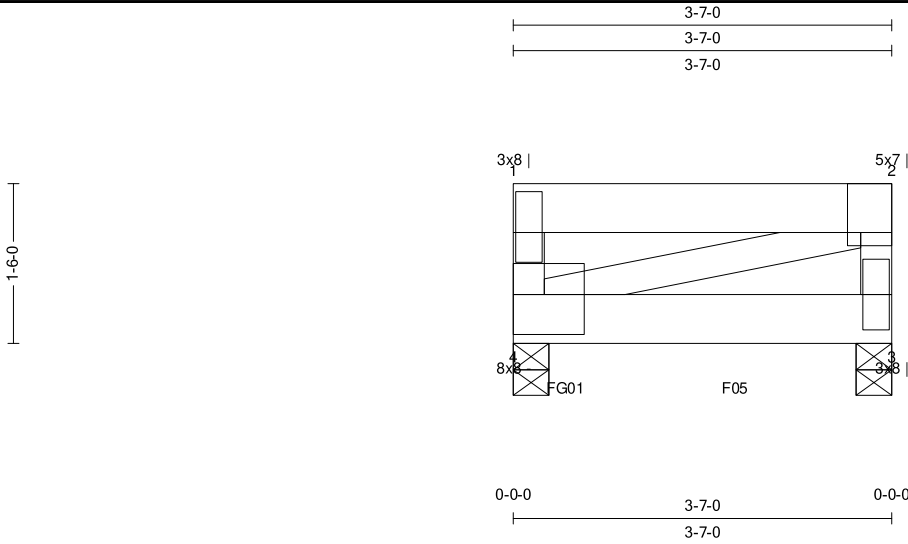
Truss:LVL_NP

Job: LOT 57_F2_REFRESHED FRAMING

Date: 12/17/25 09:59:05

Page: 1 of 2

SPAN 3-7-0	PITCH 0/12	QTY 1	OHL 0-0-0	OHR 0-0-0	CANT L 0-0-0	CANT R 0-0-0	PLY(S) 1	SPACING 123 in	WGT/PLY 25 lbs
---------------	---------------	----------	--------------	--------------	-----------------	-----------------	-------------	-------------------	-------------------



All plates shown to be Eagle 20 unless otherwise noted.

Loading (psf)	General	CSI	Deflection	L/	(loc)	Allowed
Carried Loads (psf)	Bldg Code: IBC 2018/	TC: 0.70 (1-2)	Vert TL: 0.04 in	L/909	(3-4)	L/240
TCLL: 40	TPI 1-2014	BC: 0.67 (3-4)	Vert LL: 0.02 in	L/999	(3-4)	L/360
TCDL: 10	Rep Mbr: No	Web: 0.16 (2-3)	Horz TL: 0 in		3	
BCLL: 0	Lumber D.O.L.: 115 %					
BCDL: 10						

Reaction

JT	Brg Combo	Brg Width	Rqd Brg Width	Max React	Max Grav Uplift	Max MWFRS Uplift	Max C&C Uplift	Max Uplift	Max Horiz
4	1	4 in	3.20 in	2,710 lbs			-325 lbs	-325 lbs	-257 lbs
3	1	4 in	1.65 in	1,400 lbs		-93 lbs	-607 lbs	-607 lbs	

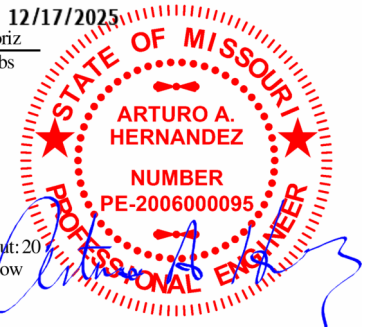
12/17/2025

Material

TC: SYP#1 2 x 6
BC: SYP#1 2 x 6
Web: SYP#1 2 x 4

Bracing

TC: Sheathed or Purlins at 6-3-0, Purlin design by Others.
BC: Sheathed or Purlins at 10-0-0, Purlin design by Others.



Loads

- This truss has been designed for the effects of balanced (20 psf) sloped roof snow loads in accordance with ASCE7 - 16 with the following user defined input: 20 psf GSL, Terrain C, Exposure (Ce = 1.0), Thermal (Ct = 1.00), DOL = 1.15. If the roof configuration differs from hip/gable, Building Designer shall verify snow loads.
- This truss has not been designed for the effects of unbalanced snow loads.
- This truss has been designed for the effects of wind loads in accordance with ASCE7 - 16 with the following user defined input: 115 mph (Factored), Exposure C, Enclosed, Gable/Hip, Risk Category II, Overall Bldg Dims 25 ft x 60 ft, h = 15 ft, End Zone Truss, Both end webs considered. DOL = 1.60
- Concurrent minimum storage attic loading has been applied in accordance with IBC 1607.1

Load Case Lr1: Std Live Load

Distributed Loads

Member	Location 1	Location 2	Direction	Spread	Start Load	End Load	Trib Width
Top	0-0-0	3-7-0	Down	Proj	112.5 plf	112.5 plf	
Top	0-0-0	0-4-3	Down	Proj	97.08 plf	97.08 plf	
Top	0-4-3	3-7-0	Down	Proj	297.5 plf	297.5 plf	

Load Case D1: Std Dead Load

Distributed Loads

Member	Location 1	Location 2	Direction	Spread	Start Load	End Load	Trib Width
Top	0-0-0	3-7-0	Down	Proj	28.13 plf	28.13 plf	
Top	0-0-0	0-4-3	Down	Proj	24.27 plf	24.27 plf	
Top	0-4-3	3-7-0	Down	Proj	74.38 plf	74.38 plf	
Bot	0-0-0	3-7-0	Down	Proj	28.13 plf	28.13 plf	

Member Forces

Table indicates: Member ID, max CSI, max tension force, (max compression force). Only forces greater than 300lbs are shown in this table.

TC	BC	Web
1-4	0.161	721 lbs
(-832 lbs)	2-3	0.162
724 lbs	(-917 lbs)	

WARNING: Verify all design parameters and follow all notes on this drawing and in the Eagle Metal Design Notes. This design is for an individual building component (a truss), not a truss system, and is based only on parameters shown and provided by the Building Designer. The applicability of the design parameters must be verified by the Building Designer and should properly incorporate this design into the overall building design before use. Bracing shown is only to prevent buckling of individual truss web and/or chord members. Additional temporary and permanent bracing is always required to prevent collapse and provide stability. Design valid only when Eagle Metal connectors are used. A seal on this drawing indicates acceptance of professional engineering responsibility solely for the truss component design shown.

TrueBuild® Truss Software v5.8.14
Eagle Metal Products

Quality Line Truss Co., LLC

34593 S 4350 RD

Address 2

Adair, OK 74330

Truss:LVL_NP

Job: LOT 57_F2_REFRESHED FRAMING

Date: 12/17/25 09:59:05

Page: 2 of 2

SPAN
3-7-0PITCH
0/12QTY
1OHL
0-0-0OHR
0-0-0CANT L
0-0-0CANT R
0-0-0PLY(S)
1SPACING
123 inWGT/PLY
25 lbs**Truss to Truss Connection Summary**

Carried Truss	Carrying Chord	Carrying Offset
FG01	BC	0-5-15
F05	BC	2-1-2

Notes

- 1) Unless noted otherwise, do not cut or alter any truss member or plate without prior approval from a Professional Engineer.
- 2) The fabrication tolerance for this roof truss is 20 % ($C_q = 0.80$).
- 3) Provide adequate drainage to prevent ponding.
- 4) Brace bottom chord with approved sheathing or purlins per Bracing Summary.
- 5) A creep factor of 2.00 has been applied for this truss analysis.
- 6) The "SYP" label shown in the "Material Summary" above indicates the new SPIB design values effective June 1, 2013 were used.
- 7) Listed wind uplift reactions based on MWFRS & C&C loading.

WARNING: Verify all design parameters and follow all notes on this drawing and in the Eagle Metal Design Notes. This design is for an individual building component (a truss), not a truss system, and is based only on parameters shown and provided by the Building Designer. The applicability of the design parameters must be verified by the Building Designer and should properly incorporate this design into the overall building design before use. Bracing shown is only to prevent buckling of individual truss web and/or chord members. Additional temporary and permanent bracing is always required to prevent collapse and provide stability. Design valid only when Eagle Metal connectors are used. A seal on this drawing indicates acceptance of professional engineering responsibility solely for the truss component design shown.

TrueBuild® Truss Software v5.8.14
Eagle Metal Products

Quality Line Truss Co., LLC

34593 S 4350 RD
Address 2
Adair, OK 74330

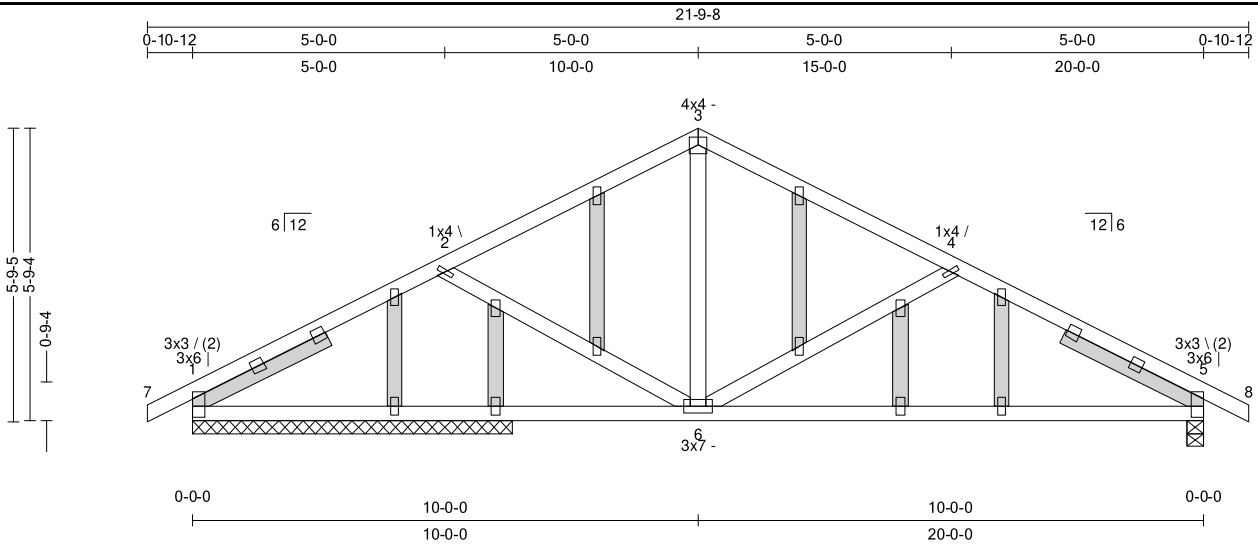
Truss:SGE01

Job: LOT 57_F2_REFRESHED FRAMING

Date: 12/17/25 09:58:54

Page: 1 of 1

SPAN 20-0-0	PITCH 6/12	QTY 1	OHL 0-10-12	OHR 0-10-12	CANT L 0-0-0	CANT R 0-0-0	PLY(S) 1	SPACING 24 in	WGT/PLY 117 lbs
----------------	---------------	----------	----------------	----------------	-----------------	-----------------	-------------	------------------	--------------------



All plates shown to be Eagle 20 unless otherwise noted.

Loading (psf)	General	CSI	Deflection	L/	(loc)	Allowed
TCLL: 20	Bldg Code: IBC 2018/	TC: 0.33 (2-3)	Vert TL: 0.26 in	L/ 607	(5-6)	L/ 240
TCDL: 10	TPI 1-2014	BC: 0.89 (5-6)	Vert LL: 0.12 in	L/ 999	(5-6)	L/ 360
BCLL: 0	Rep Mbr: No	Web: 0.16 (4-6)	Horz TL: 0.03 in		5	
BCDL: 10	Lumber D.O.L.: 115 %					

Reaction

JT	Brg Combo	Brg Width	Rqd Brg Width	Max React	Max Grav Uplift	Max MWFRS Uplift	Max C&C Uplift	Max Uplift	Max Horiz
5	1	4 in	1.50 in	996 lbs		-83 lbs	-308 lbs	-308 lbs	
1	1	76 in	N/A	461 lbs	-352 lbs	-202 lbs	-367 lbs	-367 lbs	-147 lbs
1	1	76 in	N/A	1,067 lbs					147 lbs

Material

TC: SYP#1 2 x 4
BC: SYP#1 2 x 4
Web: SYP#1 2 x 4

Bracing

TC: Sheathed or Purlins at 5-3-0, Purlin design by Others.
BC: Sheathed or Purlins at 10-0-0, Purlin design by Others.

Loads

- This truss has been designed for the effects of balanced (14 psf) and unbalanced sloped roof snow loads in accordance with ASCE7 - 16 with the following user defined input: 20 psf GSL, Terrain C, Exposure (Ce = 1.0), Thermal (Ct = 1.00), DOL = 1.15. If the roof configuration differs from hip/gable, Building Designer shall verify snow loads.
- This truss has been designed to account for the effects of ice dams forming at the eaves.
- This truss has been designed for the effects of wind loads in accordance with ASCE7 - 16 with the following user defined input: 115 mph (Factored), Exposure C, Enclosed, Gable/Hip, Risk Category II, Overall Bldg Dims 25 ft x 60 ft, h = 15 ft, End Zone Truss, Both end webs considered. DOL= 1.60
- This truss has been designed for the effects of a 18 psf live load computed in accordance with IBC 2018 assuming slope = 6/12 and area supported = 43.58 ft², DOL = 115 %.
- Concurrent minimum storage attic loading has been applied in accordance with IBC 1607.1

Member Forces

Table indicates: Member ID, max CSL max tension force, (max compression force). Only forces greater than 300lbs are shown in this table.

TC	1-2	0.188	426 lbs	(-1,268 lbs)	3-4	0.295	351 lbs	(-1,103 lbs)
	2-3	0.329	351 lbs	(-1,099 lbs)	4-5	0.213	424 lbs	(-1,307 lbs)
BC	5-6	0.892	1,161 lbs		6-1	0.882	1,103 lbs	
Web	3-6	0.101	610 lbs		4-6	0.158		(-302 lbs)

Notes

- Unless noted otherwise, do not cut or alter any truss member or plate without prior approval from a Professional Engineer.
- Gable webs placed at 24" OC, U.N.O.
- Attach structural gable blocks with 2x4 20ga plates, U.N.O.
- Bracing shown is for in-plane requirements. For out-of-plane requirements, refer to BCSI-B3 published by the SBCA.
- The fabrication tolerance for this roof truss is 20% (Cq = 0.80).
- A creep factor of 2.00 has been applied for this truss analysis.
- The "SYP" label shown in the "Material Summary" above indicates the new SPIB design values effective June 1, 2013 were used.
- Indicates non-structural members.
- Due to negative reactions in gravity load cases, special connections to the bearing surface at joint 1 may need to be considered.
- Listed wind uplift reactions based on MWFRS & C&C loading.



WARNING: Verify all design parameters and follow all notes on this drawing and in the Eagle Metal Design Notes. This design is for an individual building component (a truss), not a truss system, and is based only on parameters shown and provided by the Building Designer. The applicability of the design parameters must be verified by the Building Designer and should properly incorporate this design into the overall building design before use. Bracing shown is only to prevent buckling of individual truss web and/or chord members. Additional temporary and permanent bracing is always required to prevent collapse and provide stability. Design valid only when Eagle Metal connectors are used. A seal on this drawing indicates acceptance of professional engineering responsibility solely for the truss component design shown.

TrueBuild® Truss Software v5.8.14
Eagle Metal Products

Quality Line Truss Co., LLC

34593 S 4350 RD
Address 2
Adair, OK 74330

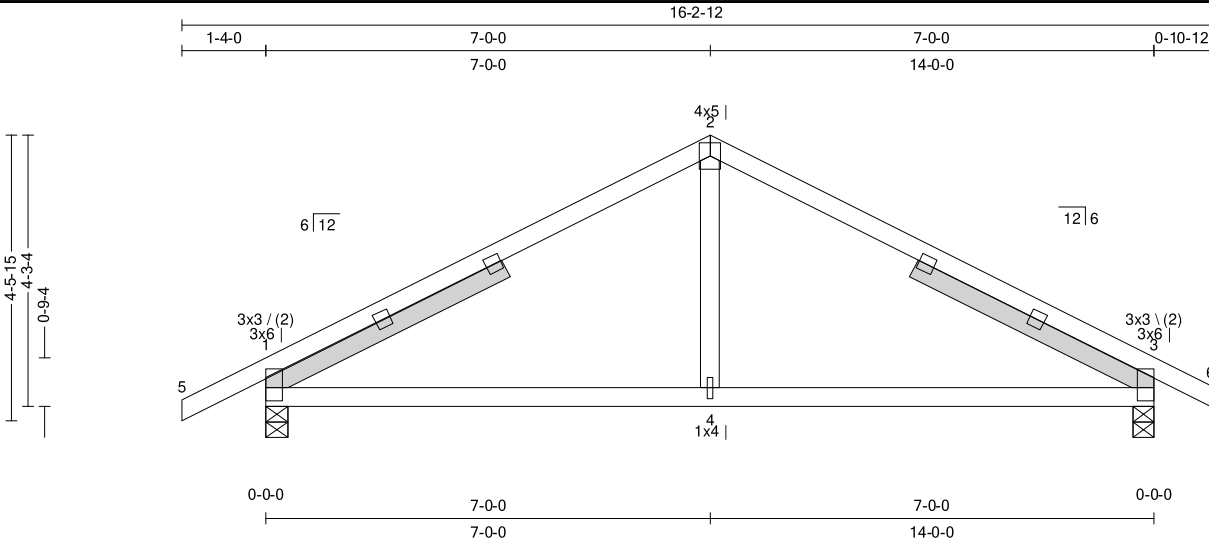
Truss:T01

Job: LOT 57_F2_REFRESHED FRAMING

Date: 12/17/25 09:58:55

Page: 1 of 1

SPAN 14-0-0	PITCH 6/12	QTY 4	OHL 1-4-0	OHR 0-10-12	CANT L 0-0-0	CANT R 0-0-0	PLY(S) 1	SPACING 24 in	WGT/PLY 63 lbs
----------------	---------------	----------	--------------	----------------	-----------------	-----------------	-------------	------------------	-------------------



All plates shown to be Eagle 20 unless otherwise noted.

Loading (psf)	General	CSI	Deflection	L/	(loc)	Allowed
TCLL: 20	Bldg Code: IBC 2018/	TC: 0.39 (2-3)	Vert TL: 0.12 in	L/999	(3-4)	L/240
TCDL: 10	TPI 1-2014	BC: 0.49 (4-1)	Vert LL: 0.05 in	L/999	(3-4)	L/360
BCLL: 0	Rep Mbr: Yes	Web: 0.05 (2-4)	Horz TL: 0.01 in		3	
BCDL: 10	Lumber D.O.L.: 115 %					

Reaction

JT	Brg Combo	Brg Width	Rqd Brg Width	Max React	Max Grav Uplift	Max MWFRS Uplift	Max C&C Uplift	Max Uplift	Max Horiz
1	1	4 in	1.50 in	749 lbs		-71 lbs	-305 lbs	-305 lbs	28 lbs
3	1	4 in	1.50 in	720 lbs		-61 lbs	-275 lbs	-275 lbs	

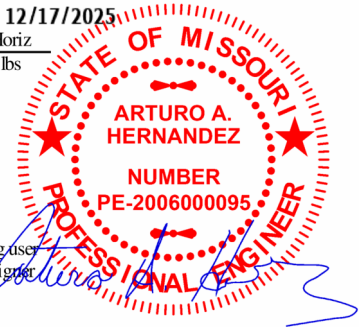
12/17/2025

Material

TC: SYP#1 2 x 4
BC: SYP#1 2 x 4
Web: SYP#1 2 x 4

Bracing

TC: Sheathed or Purlins at 6-3-0, Purlin design by Others.
BC: Sheathed or Purlins at 10-0-0, Purlin design by Others.



Loads

- 1) This truss has been designed for the effects of balanced (14 psf) and unbalanced sloped roof snow loads in accordance with ASCE7 - 16 with the following user defined input: 20 psf GSL, Terrain C, Exposure (Ce = 1.0), Thermal (Ct = 1.00), DOL = 1.15. If the roof configuration differs from hip/gable, Building Designer shall verify snow loads.
- 2) This truss has been designed to account for the effects of ice dams forming at the eaves.
- 3) This truss has been designed for the effects of wind loads in accordance with ASCE7 - 16 with the following user defined input: 115 mph (Factored), Exposure C, Enclosed, Gable/Hip, Risk Category II, Overall Bldg Dims 25 ft x 60 ft, h = 15 ft, End Zone Truss, Both end webs considered. DOL = 1.60
- 4) This truss has been designed for the effects of a 18 psf live load computed in accordance with IBC 2018 assuming slope = 6/12 and area supported = 32.46 ft², DOL = 115 %.
- 5) Concurrent minimum storage attic loading has been applied in accordance with IBC 1607.1

Member Forces

Table indicates: Member ID, max CSI, max tension force, (max compression force). Only forces greater than 300lbs are shown in this table.

TC	1-2	0.379	309 lbs	(-775 lbs)	2-3	0.390	307 lbs	(-774 lbs)
BC	3-4	0.489	691 lbs		4-1	0.489	691 lbs	
Web	2-4	0.051	308 lbs					

Notes

- 1) Unless noted otherwise, do not cut or alter any truss member or plate without prior approval from a Professional Engineer.
- 2) The fabrication tolerance for this roof truss is 20 % (Cq = 0.80).
- 3) Brace bottom chord with approved sheathing or purlins per Bracing Summary.
- 4) A creep factor of 2.00 has been applied for this truss analysis.
- 5) The "SYP" label shown in the "Material Summary" above indicates the new SPIB design values effective June 1, 2013 were used.
- 6) □ Indicates non-structural members.
- 7) Listed wind uplift reactions based on MWFRS & C&C loading.

WARNING: Verify all design parameters and follow all notes on this drawing and in the Eagle Metal Design Notes. This design is for an individual building component (a truss), not a truss system, and is based only on parameters shown and provided by the Building Designer. The applicability of the design parameters must be verified by the Building Designer and should properly incorporate this design into the overall building design before use. Bracing shown is only to prevent buckling of individual truss web and/or chord members. Additional temporary and permanent bracing is always required to prevent collapse and provide stability. Design valid only when Eagle Metal connectors are used. A seal on this drawing indicates acceptance of professional engineering responsibility solely for the truss component design shown.

TrueBuild® Truss Software v5.8.14
Eagle Metal Products

Quality Line Truss Co., LLC

34593 S 4350 RD
Address 2
Adair, OK 74330

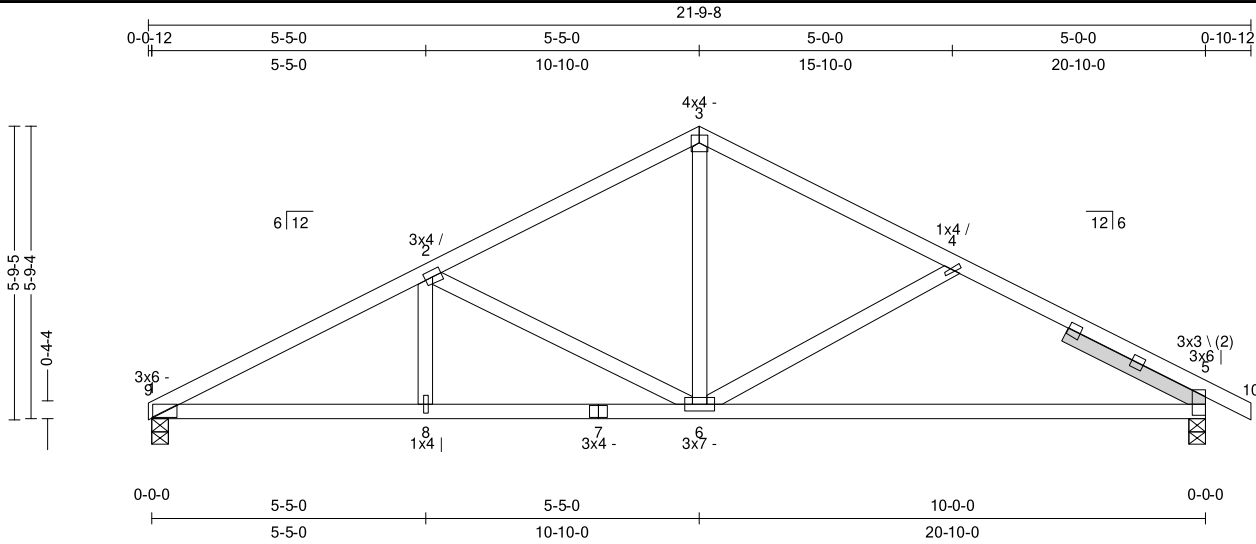
Truss:T02

Job: LOT 57_F2_REFRESHED FRAMING

Date: 12/17/25 09:58:56

Page: 1 of 1

SPAN 20-10-0	PITCH 6/12	QTY 4	OHL 0-0-12	OHR 0-10-12	CANT L 0-0-0	CANT R 0-0-0	PLY(S) 1	SPACING 24 in	WGT/PLY 95 lbs
-----------------	---------------	----------	---------------	----------------	-----------------	-----------------	-------------	------------------	-------------------



All plates shown to be Eagle 20 unless otherwise noted.

Loading (psf)	General	CSI	Deflection	L/	(loc)	Allowed
TCLL: 20	Bldg Code: IBC 2018/	TC: 0.27 (2-3)	Vert TL: 0.32 in	L/747	(5-6)	L/240
TCDL: 10	TPI 1-2014	BC: 0.71 (5-6)	Vert LL: 0.15 in	L/999	(5-6)	L/360
BCLL: 0	Rep Mbr: Yes	Web: 0.33 (2-6)	Horz TL: 0.04 in		5	
BCDL: 10	Lumber D.O.L.: 115 %					

Reaction

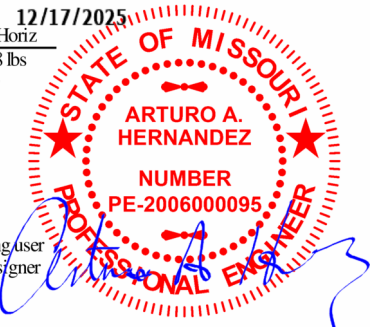
JT	Brg Combo	Brg Width	Rqd Brg Width	Max React	Max Grav Uplift	Max MWFRS Uplift	Max C&C Uplift	Max Uplift	Max Horiz
1	1	4 in	1.50 in	1,002 lbs		-68 lbs	-266 lbs	-266 lbs	-48 lbs
5	1	4 in	1.50 in	1,051 lbs		-84 lbs	-312 lbs	-312 lbs	

Material

TC: SYP#1 2 x 4
BC: SYP#1 2 x 4
Web: SYP#1 2 x 4

Bracing

TC: Sheathed or Purlins at 4-7-0, Purlin design by Others.
BC: Sheathed or Purlins at 10-0-0, Purlin design by Others.



Loads

- This truss has been designed for the effects of balanced (14 psf) and unbalanced sloped roof snow loads in accordance with ASCE7 - 16 with the following user defined input: 20 psf GSL, Terrain C, Exposure (Ce = 1.0), Thermal (Ct = 1.00), DOL = 1.15. If the roof configuration differs from hip/gable, Building Designer shall verify snow loads.
- This truss has been designed to account for the effects of ice dams forming at the eaves.
- This truss has been designed for the effects of wind loads in accordance with ASCE7 - 16 with the following user defined input: 115 mph (Factored), Exposure C, Enclosed, Gable/Hip, Risk Category II, Overall Bldg Dims 25 ft x 60 ft, h = 15 ft, End Zone Truss, Both end webs considered. DOL = 1.60
- This truss has been designed for the effects of a 18 psf live load computed in accordance with IBC 2018 assuming slope = 6/12 and area supported = 43.58 ft², DOL = 115 %.
- Concurrent minimum storage attic loading has been applied in accordance with IBC 1607.1

Member Forces

Table indicates: Member ID, max CSI, max tension force, (max compression force). Only forces greater than 300lbs are shown in this table.

TC	1-2	0.272	460 lbs	(-1,758 lbs)	3-4	0.263	370 lbs	(-1,198 lbs)
	2-3	0.274	372 lbs <td>(-1,205 lbs) <td>4-5</td> <td>0.193</td> <td>438 lbs <td>(-1,405 lbs) </td></td></td>	(-1,205 lbs) <td>4-5</td> <td>0.193</td> <td>438 lbs <td>(-1,405 lbs) </td></td>	4-5	0.193	438 lbs <td>(-1,405 lbs) </td>	(-1,405 lbs)
BC	5-6	0.706	1,249 lbs		6-8	0.685	1,527 lbs	
Web	2-6	0.329		(-595 lbs) <td>3-6</td> <td>0.118</td> <td>711 lbs</td> <td></td>	3-6	0.118	711 lbs	
					4-6	0.161		(-309 lbs)

Notes

- Unless noted otherwise, do not cut or alter any truss member or plate without prior approval from a Professional Engineer.
- The fabrication tolerance for this roof truss is 20 % (Cq = 0.80).
- Brace bottom chord with approved sheathing or purlins per Bracing Summary.
- A creep factor of 2.00 has been applied for this truss analysis.
- The "SYP" label shown in the "Material Summary" above indicates the new SPIB design values effective June 1, 2013 were used.
- Indicates non-structural members.
- Listed wind uplift reactions based on MWFRS & C&C loading.

WARNING: Verify all design parameters and follow all notes on this drawing and in the Eagle Metal Design Notes. This design is for an individual building component (a truss), not a truss system, and is based only on parameters shown and provided by the Building Designer. The applicability of the design parameters must be verified by the Building Designer and should properly incorporate this design into the overall building design before use. Bracing shown is only to prevent buckling of individual truss web and/or chord members. Additional temporary and permanent bracing is always required to prevent collapse and provide stability. Design valid only when Eagle Metal connectors are used. A seal on this drawing indicates acceptance of professional engineering responsibility solely for the truss component design shown.

TrueBuild® Truss Software v5.8.14
Eagle Metal Products

Quality Line Truss Co., LLC

34593 S 4350 RD
Address 2
Adair, OK 74330

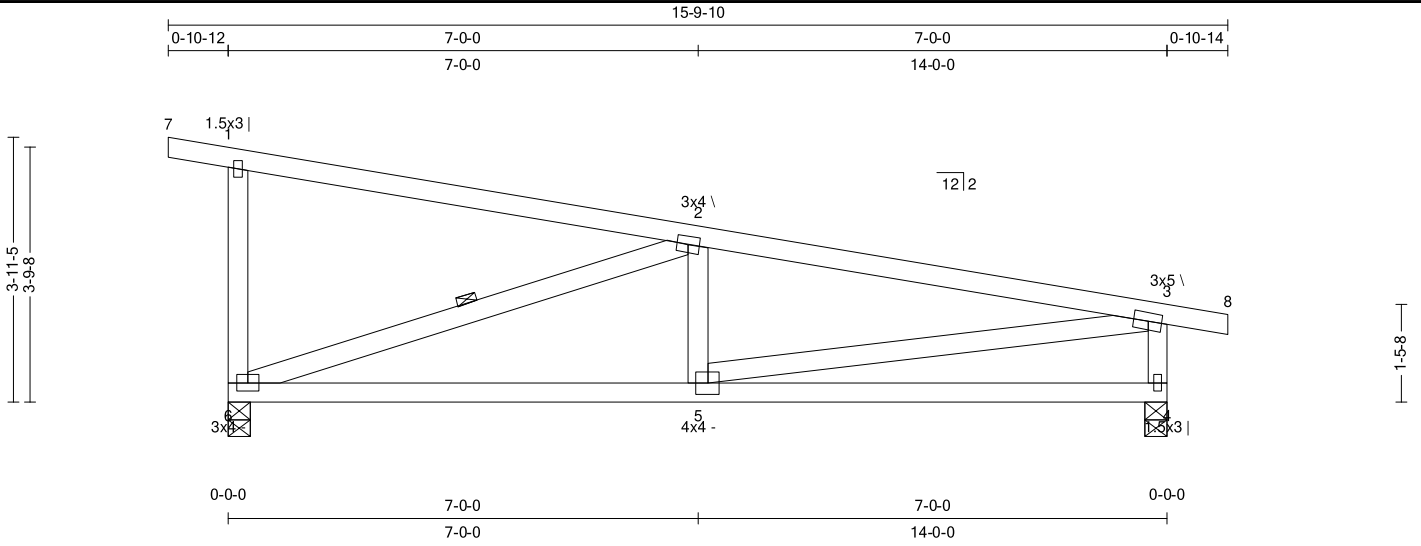
Truss:T03

Job: LOT 57_F2_REFRESHED FRAMING

Date: 12/17/25 09:58:58

Page: 1 of 1

SPAN 14-0-0	PITCH -2/12	QTY 1	OHL 0-10-12	OHR 0-10-14	CANT L 0-0-0	CANT R 0-0-0	PLY(S) 1	SPACING 24 in	WGT/PLY 69 lbs
----------------	----------------	----------	----------------	----------------	-----------------	-----------------	-------------	------------------	-------------------



All plates shown to be Eagle 20 unless otherwise noted.

Loading (psf)	General	CSI	Deflection	L/	(loc)	Allowed
TCLL: 20	Bldg Code: IBC 2018/	TC: 0.59 (2-3)	Vert TL: 0.15 in	L/999	(4-5)	L/240
TCDL: 10	TPI 1-2014	BC: 0.68 (5-6)	Vert LL: 0.06 in	L/999	(4-5)	L/360
BCLL: 0	Rep Mbr: No	Web: 0.29 (2-6)	Horz TL: 0.01 in		4	
BCDL: 10	Lumber D.O.L.: 115 %					

Reaction

JT	Brg Combo	Brg Width	Rqd Brg Width	Max React	Max Grav Uplift	Max MWFRS Uplift	Max C&C Uplift	Max Uplift	Max Horiz
6	1	4 in	1.50 in	754 lbs		-84 lbs	-322 lbs	-322 lbs	-163 lbs
4	1	4 in	1.50 in	754 lbs		-59 lbs	-317 lbs	-317 lbs	

Material

TC: SYP#1 2 x 4
BC: SYP#1 2 x 4
Web: SYP#1 2 x 4

Bracing

TC: Sheathed or Purlins at 4-10-0, Purlin design by Others.
BC: Sheathed or Purlins at 10-0-0, Purlin design by Others.
Web: One Midpoint Row: 2-6



Loads

- This truss has been designed for the effects of balanced (20 psf) sloped roof snow loads in accordance with ASCE7 - 16 with the following user defined input: 20 psf GSL, Terrain C, Exposure (Ce = 1.0), Thermal (Ct = 1.00), DOL = 1.15. If the roof configuration differs from hip/gable, Building Designer shall verify snow loads.
- This truss has not been designed for the effects of unbalanced snow loads.
- This truss has been designed to account for the effects of ice dams forming at the eaves.
- This truss has been designed for the effects of wind loads in accordance with ASCE7 - 16 with the following user defined input: 115 mph (Factored), Exposure C, Enclosed, Gable/Hip, Risk Category II, Overall Bldg Dims 25 ft x 60 ft, h = 15 ft, End Zone Truss, Both end webs considered. DOL= 1.60
- Concurrent minimum storage attic loading has been applied in accordance with IBC 1607.1

Member Forces

Table indicates: Member ID, max CSI, max tension force, (max compression force). Only forces greater than 300lbs are shown in this table.

TC	2-3	0.592	430 lbs	(-1,261 lbs)				
BC	5-6	0.677	1,217 lbs	(-316 lbs)				
Web	2-6	0.287	492 lbs	(-1,285 lbs)	3-4	0.066	349 lbs	(-642 lbs)
	3-5	0.253	1,235 lbs	(-349 lbs)				

Notes

- Unless noted otherwise, do not cut or alter any truss member or plate without prior approval from a Professional Engineer.
- The fabrication tolerance for this roof truss is 20 % (Cq = 0.80).
- Brace bottom chord with approved sheathing or purlins per Bracing Summary.
- Lateral bracing shown is for illustration purposes only and may be placed on either edge of truss member.
- A creep factor of 2.00 has been applied for this truss analysis.
- The "SYP" label shown in the "Material Summary" above indicates the new SPIB design values effective June 1, 2013 were used.
- ☒ Indicates lateral bracing required perpendicular to the plane of the truss at either the midpoint (one shown) or third points (two shown), bracing by others. See BCSI-B3 for additional information.
- Listed wind uplift reactions based on MWFRS & C&C loading.

WARNING: Verify all design parameters and follow all notes on this drawing and in the Eagle Metal Design Notes. This design is for an individual building component (a truss), not a truss system, and is based only on parameters shown and provided by the Building Designer. The applicability of the design parameters must be verified by the Building Designer and should properly incorporate this design into the overall building design before use. Bracing shown is only to prevent buckling of individual truss web and/or chord members. Additional temporary and permanent bracing is always required to prevent collapse and provide stability. Design valid only when Eagle Metal connectors are used. A seal on this drawing indicates acceptance of professional engineering responsibility solely for the truss component design shown.

TrueBuild® Truss Software v5.8.14
Eagle Metal Products

Quality Line Truss Co., LLC

34593 S 4350 RD
Address 2
Adair, OK 74330

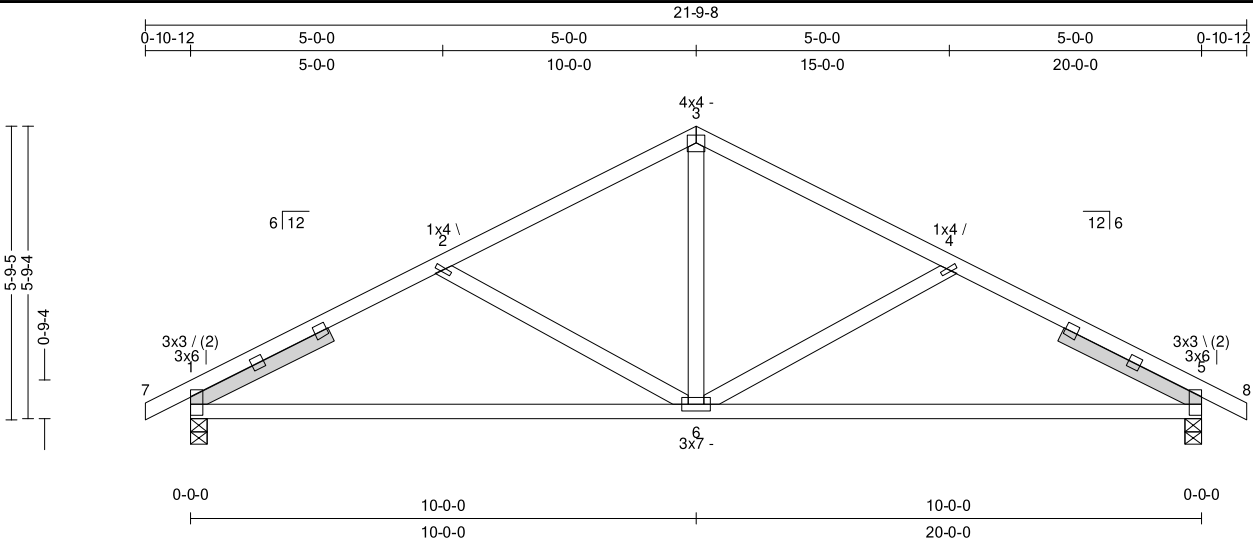
Truss:T04

Job: LOT 57_F2_REFRESHED FRAMING

Date: 12/17/25 09:58:59

Page: 1 of 1

SPAN 20-0-0	PITCH 6/12	QTY 18	OHL 0-10-12	OHR 0-10-12	CANT L 0-0-0	CANT R 0-0-0	PLY(S) 1	SPACING 24 in	WGT/PLY 94 lbs
----------------	---------------	-----------	----------------	----------------	-----------------	-----------------	-------------	------------------	-------------------



All plates shown to be Eagle 20 unless otherwise noted.

Loading (psf)	General	CSI	Deflection	L/	(loc)	Allowed
TCLL: 20	Bldg Code: IBC 2018/	TC: 0.26 (2-3)	Vert TL: 0.25 in	L/915	(5-6)	L/240
TCDL: 10	TPI 1-2014	BC: 0.81 (5-6)	Vert LL: 0.12 in	L/999	(5-6)	L/360
BCLL: 0	Rep Mbr: Yes	Web: 0.16 (4-6)	Horz TL: 0.03 in		5	
BCDL: 10	Lumber D.O.L.: 115 %					

Reaction

JT	Brg Combo	Brg Width	Rqd Brg Width	Max React	Max Grav Uplift	Max MWFRS Uplift	Max C&C Uplift	Max Uplift	Max Horiz
1	1	4 in	1.50 in	1,010 lbs		-81 lbs	-307 lbs	-307 lbs	36 lbs
5	1	4 in	1.50 in	1,010 lbs		-81 lbs	-307 lbs	-307 lbs	

12/17/2025

Material

TC: SYP#1 2 x 4
BC: SYP#1 2 x 4
Web: SYP#1 2 x 4

Bracing

TC: Sheathed or Purlins at 5-6-0, Purlin design by Others.
BC: Sheathed or Purlins at 10-0-0, Purlin design by Others.



Loads

- 1) This truss has been designed for the effects of balanced (14 psf) and unbalanced sloped roof snow loads in accordance with ASCE7 - 16 with the following user defined input: 20 psf GSL, Terrain C, Exposure (Ce = 1.0), Thermal (Ct = 1.00), DOL = 1.15. If the roof configuration differs from hip/gable, Building Designer shall verify snow loads.
- 2) This truss has been designed to account for the effects of ice dams forming at the eaves.
- 3) This truss has been designed for the effects of wind loads in accordance with ASCE7 - 16 with the following user defined input: 115 mph (Factored), Exposure C, Enclosed, Gable/Hip, Risk Category II, Overall Bldg Dims 25 ft x 60 ft, h = 15 ft, End Zone Truss, Both end webs considered. DOL = 1.60
- 4) This truss has been designed for the effects of a 18 psf live load computed in accordance with IBC 2018 assuming slope = 6/12 and area supported = 43.58 ft², DOL = 115 %.
- 5) Concurrent minimum storage attic loading has been applied in accordance with IBC 1607.1

Member Forces

Table indicates: Member ID, max CSI, max tension force, (max compression force). Only forces greater than 300lbs are shown in this table.

TC	1-2	0.185	422 lbs	(-1,336 lbs)	3-4	0.257	349 lbs	(-1,132 lbs)
	2-3	0.257	349 lbs	(-1,132 lbs)	4-5	0.185	422 lbs	(-1,336 lbs)
BC	5-6	0.806	1,186 lbs		6-1	0.806	1,186 lbs	
Web	2-6	0.157		(-301 lbs)	3-6	0.107	647 lbs	
					4-6	0.157		(-301 lbs)

Notes

- 1) Unless noted otherwise, do not cut or alter any truss member or plate without prior approval from a Professional Engineer.
- 2) The fabrication tolerance for this roof truss is 20 % (Cq = 0.80).
- 3) Brace bottom chord with approved sheathing or purlins per Bracing Summary.
- 4) A creep factor of 2.00 has been applied for this truss analysis.
- 5) The "SYP" label shown in the "Material Summary" above indicates the new SPIB design values effective June 1, 2013 were used.
- 6) Indicates non-structural members.
- 7) Listed wind uplift reactions based on MWFRS & C&C loading.

WARNING: Verify all design parameters and follow all notes on this drawing and in the Eagle Metal Design Notes. This design is for an individual building component (a truss), not a truss system, and is based only on parameters shown and provided by the Building Designer. The applicability of the design parameters must be verified by the Building Designer and should properly incorporate this design into the overall building design before use. Bracing shown is only to prevent buckling of individual truss web and/or chord members. Additional temporary and permanent bracing is always required to prevent collapse and provide stability. Design valid only when Eagle Metal connectors are used. A seal on this drawing indicates acceptance of professional engineering responsibility solely for the truss component design shown.

TrueBuild® Truss Software v5.8.14
Eagle Metal Products

Quality Line Truss Co., LLC

34593 S 4350 RD
Address 2
Adair, OK 74330

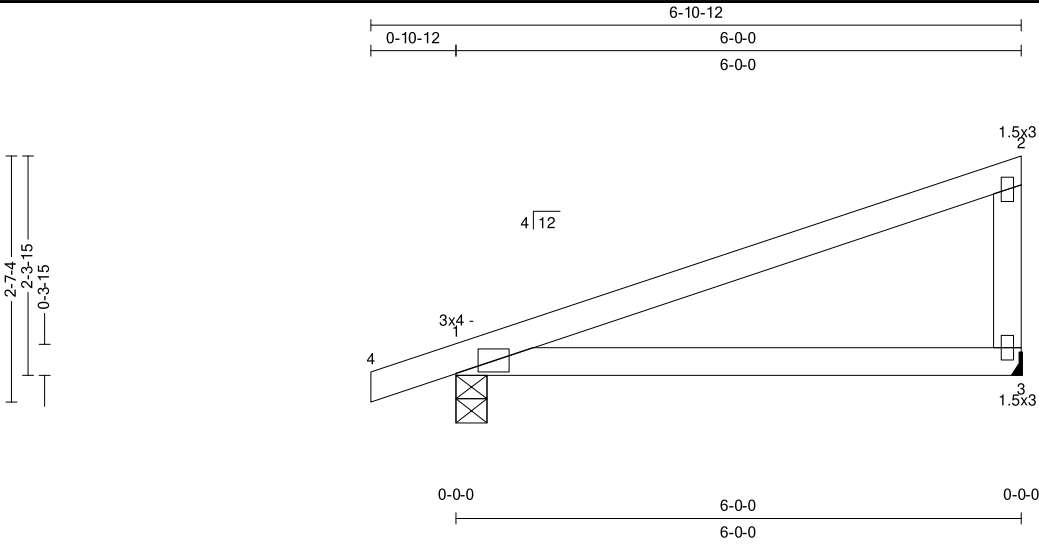
Truss:T08

Job: LOT 57_F2_REFRESHED FRAMING

Date: 12/17/25 09:58:59

Page: 1 of 1

SPAN 6-0-0	PITCH 4/12	QTY 5	OHL 0-10-12	OHR 0-0-0	CANT L 0-0-0	CANT R 0-0-0	PLY(S) 1	SPACING 24 in	WGT/PLY 21 lbs
---------------	---------------	----------	----------------	--------------	-----------------	-----------------	-------------	------------------	-------------------



All plates shown to be Eagle 20 unless otherwise noted.

Loading (psf)	General	CSI	Deflection	L/	(loc)	Allowed
TCLL: 20	Bldg Code: IBC 2018/	TC: 0.44 (1-2)	Vert TL: 0.15 in	L/454	(3-1)	L/240
TCDL: 10	TPI 1-2014	BC: 0.39 (3-1)	Vert LL: 0.09 in UP	L/762	(3-1)	L/360
BCLL: 0	Rep Mbr: Yes	Web: 0.07 (2-3)	Horz TL: 0 in		3	
BCDL: 10	Lumber D.O.L.: 115 %					

12/17/2025

Reaction

JT	Brg Combo	Brg Width	Rqd Brg Width	Max React	Max Grav Uplift	Max MWFRS Uplift	Max C&C Uplift	Max Uplift	Max Horiz
1	1	4 in	1.50 in	350 lbs		-26 lbs	-334 lbs	-334 lbs	145 lbs
3	1	1.5 in	---	303 lbs		-29 lbs	-254 lbs	-254 lbs	

Material

TC: SYP#1 2 x 4
BC: SYP#1 2 x 4
Web: SYP#1 2 x 4

Bracing

TC: Sheathed or Purlins at 6-3-0, Purlin design by Others.
BC: Sheathed or Purlins at 10-0-0, Purlin design by Others.



Loads

- 1) This truss has been designed for the effects of balanced (14 psf) sloped roof snow loads in accordance with ASCE7 - 16 with the following user defined input: 20 psf GSL, Terrain C, Exposure (Ce = 1.0), Thermal (Ct = 1.00), DOL = 1.15. If the roof configuration differs from hip/gable, Building Designer shall verify snow loads.
- 2) This truss has not been designed for the effects of unbalanced snow loads.
- 3) This truss has been designed to account for the effects of ice dams forming at the eaves.
- 4) This truss has been designed for the effects of wind loads in accordance with ASCE7 - 16 with the following user defined input: 115 mph (Factored), Exposure C, Enclosed, Gable/Hip, Risk Category II, Overall Bldg Dims 25 ft x 60 ft, h = 15 ft, End Zone Truss, Both end webs considered. DOL = 1.60
- 5) Concurrent minimum storage attic loading has been applied in accordance with IBC 1607.1

Member Forces

Table indicates: Member ID, max CSI, max tension force, (max compression force). Only forces greater than 300lbs are shown in this table.

Member	TC	BC	Web	Force
1-2	0.436			(367 lbs)
3-1	0.390			308 lbs

Notes

- 1) Unless noted otherwise, do not cut or alter any truss member or plate without prior approval from a Professional Engineer.
- 2) The fabrication tolerance for this roof truss is 20 % (Cq = 0.80).
- 3) Hanger is for graphical interpretation only. Install hanger per manufacturer's recommendation.
- 4) Brace bottom chord with approved sheathing or purlins per Bracing Summary.
- 5) A creep factor of 2.00 has been applied for this truss analysis.
- 6) The "SYP" label shown in the "Material Summary" above indicates the new SPIB design values effective June 1, 2013 were used.
- 7) Listed wind uplift reactions based on MWFRS & C&C loading.

WARNING: Verify all design parameters and follow all notes on this drawing and in the Eagle Metal Design Notes. This design is for an individual building component (a truss), not a truss system, and is based only on parameters shown and provided by the Building Designer. The applicability of the design parameters must be verified by the Building Designer and should properly incorporate this design into the overall building design before use. Bracing shown is only to prevent buckling of individual truss web and/or chord members. Additional temporary and permanent bracing is always required to prevent collapse and provide stability. Design valid only when Eagle Metal connectors are used. A seal on this drawing indicates acceptance of professional engineering responsibility solely for the truss component design shown.

TrueBuild® Truss Software v5.8.14
Eagle Metal Products