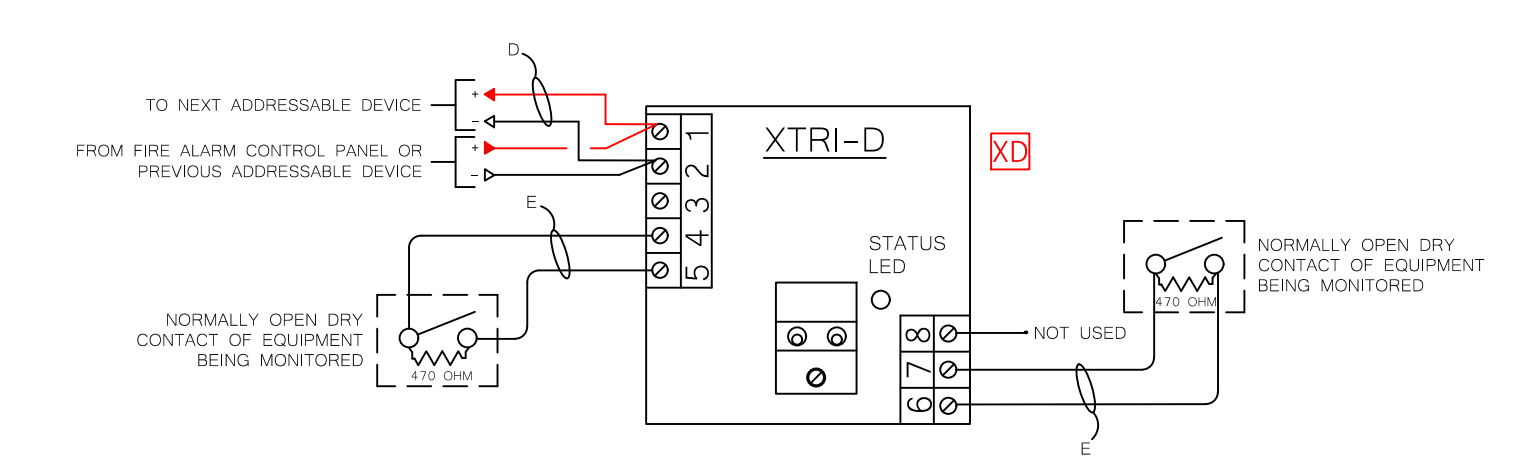
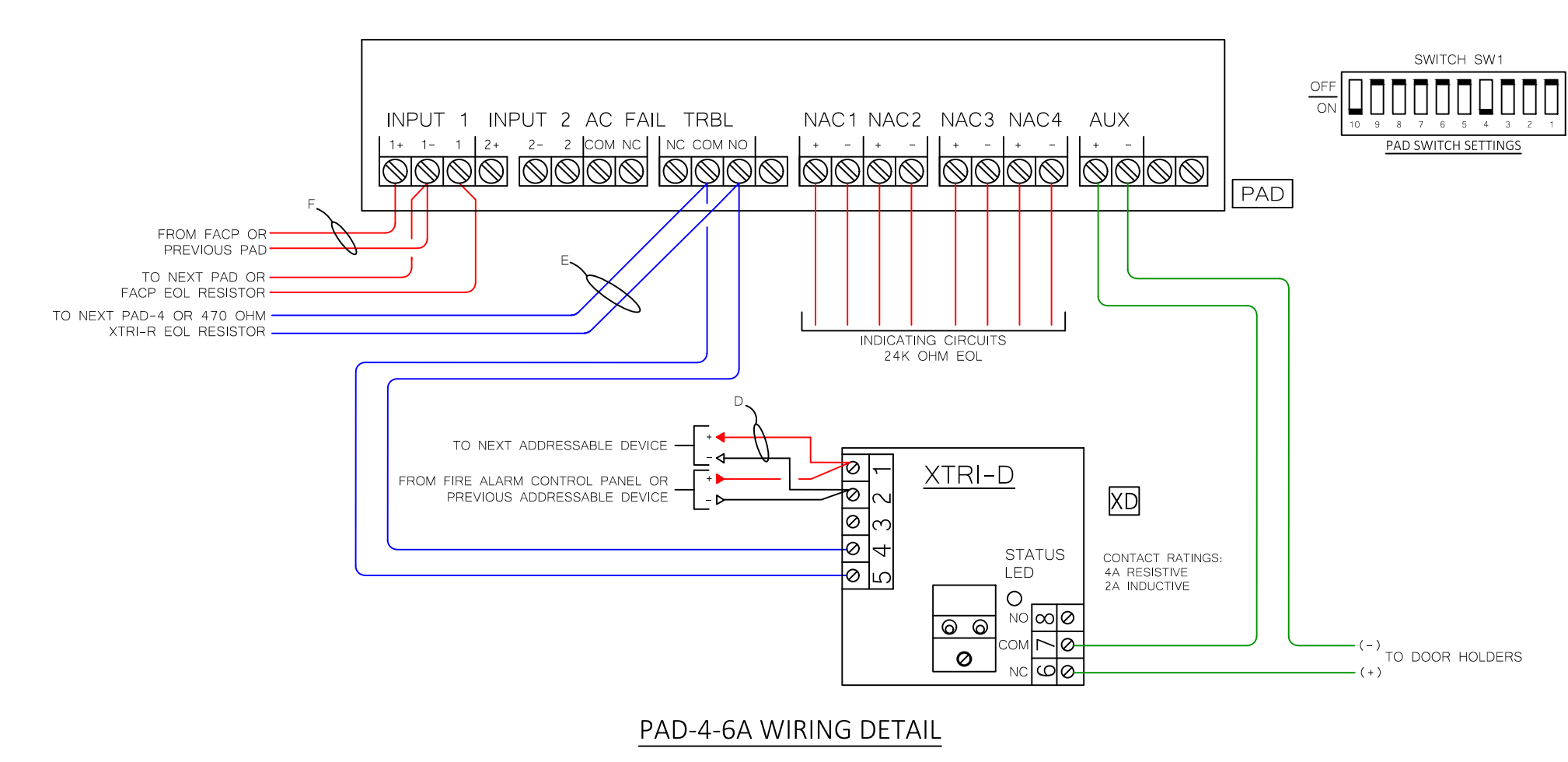


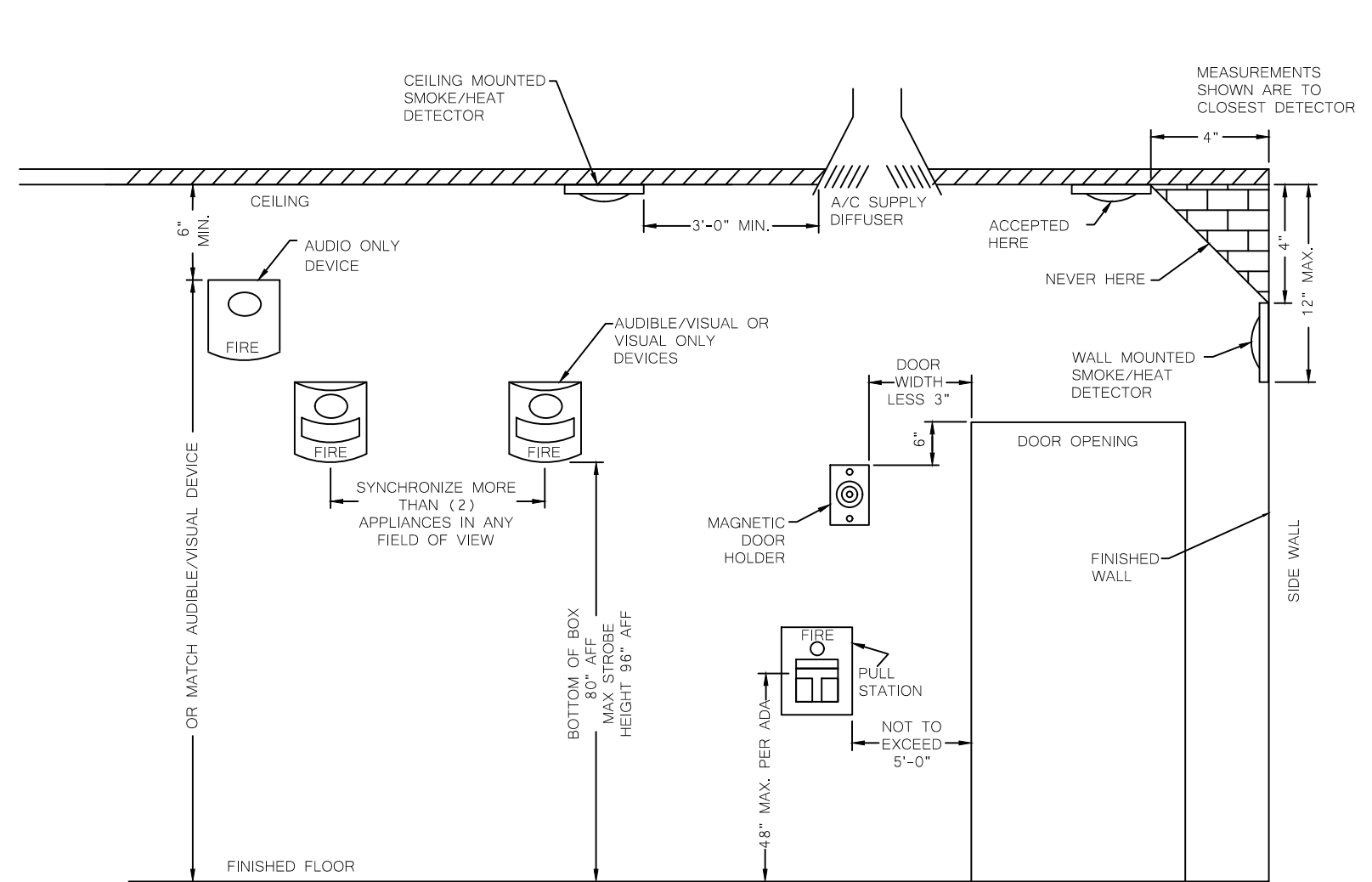
TAMPER AND WATERFLOW/XTRI-D WIRING DETAIL



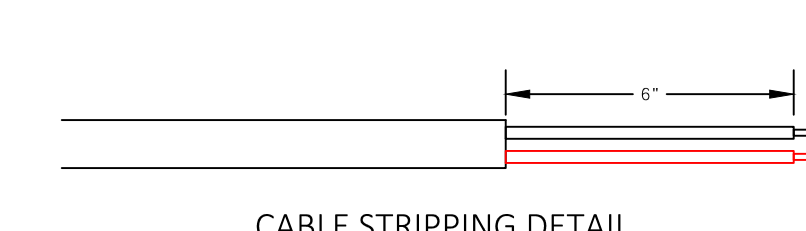
XTRI-D WIRING DETAIL



PAD-4-6A WIRING DETAIL



DEVICE MOUNTING LOCATIONS
SCALE N15



CABLE STRIPPING DETAIL

RELEASED FOR CONSTRUCTION
 As Noted on Plan Review
Lee's Summit Fire Department
Lee's Summit, Missouri
11/24/2025

DEVICE LEGEND		MANUFACTURER	MODEL NUMBER	BACK BOX
FACP	FIRE ALARM CONTROL PANEL	SIEMENS	FC01-03	FURNISHED WITH FH93-103 ENCLOSURE AND FH902-011 TRM KIT. 120VAC POWER WITH GROUND REQUIRED BY ELECTRICAL.
PAD-A	NAC EXTENDER PANEL	SIEMENS	PAD-4-6A	SURFACE MOUNT ENCLOSURE. 120VAC POWER WITH GROUND REQUIRED BY ELECTRICAL.
CAC	CELLULAR ALARM COMMUNICATOR - DUAL PATH	SIEMENS	SLE-MAX2-CFB	SURFACE MOUNT ABOVE FACP.
REC	RECORDS CABINET	SPACE AGE	SSU00691	SURFACE MOUNT TO WALL.
MAN	MANUAL STATION	SIEMENS	XMS-D	4" SQUARE, 2-1/8" DEEP BOX WITH SINGLE GANG RING REQUIRED BY ELECTRICAL.
SD	SMOKE DETECTOR	SIEMENS	OPS1/08B-11	SINGLE GANG OR 4" SQUARE BOX REQUIRED BY ELECTRICAL. 4" SQUARE BOX CAN BE USED IF NOT LOCATED IN CEILING TILE OR HARD CEILING.
SD	DUCT SMOKE DETECTOR	SIEMENS	FDB492/09P21-87-92	HOURS MOUNTS TO SIDE OF DUCTWORK; DETECTOR SHALL BE DOWNSTREAM FROM FILTERS AND BELOW ROOF LEVEL. WHEN MOUNTED ON A JOIST/TOP CHANG.
KS	INTELLIGENT REMOTE TEST KEYSWITCH	SIEMENS	TRM-1X	SINGLE GANG 3-1/2" DEEP BOX REQUIRED BY ELECTRICAL.
DM	DUAL INPUT MODULE	SIEMENS	XTRM-D	4" SQUARE OR 2 GANG, 2-1/8" DEEP BOX REQUIRED BY ELECTRICAL.
RM	RELAY WITH INPUT MODULE	SIEMENS	XTRM-R	4" SQUARE OR 2 GANG, 2-1/8" DEEP BOX REQUIRED BY ELECTRICAL.
EX	EXISTING EQUIPMENT			
ST	STROBE - WALL	SIEMENS	EXISTING U-MCS	EXISTING RESTORED
HS	HORN/STROBE - WALL	SIEMENS	EXISTING U-MHL-UCS	EXISTING
HW	HORN/STROBE - WALL - WEATHERPROOF	SIEMENS	EXISTING U-MHL-UW	EXISTING WEATHERPROOF

① SUB ADDRESS F1 CIRCUIT NO. F1/F1-1 STROBE CCT NO./SPKR CCT NO. 1-1/2" SUBSCRIPT
 DATA LINE NO. CANDELA 1-1/2" SUBSCRIPT 1-1/2" SUBSCRIPT
 ADDRESSABLE DEVICE SUBSCRIPTS INDICATING DEVICE SUBSCRIPTS INDICATING DEVICE SUBSCRIPTS D-16MM DEVICE

CABLE LEGEND (PLENUM)				
CABLE LETTER	CABLE DESCRIPTION	CABLE TYPE	G.D. WSP	AREA SQ. FT.
D	ADDRESSABLE DATA LINE	1802PFA-RED	2 09M/18 AWG	158 .020
F	FEEDING CCT	1402PFA-RED	2 09M/14 AWG	206 .023
D	PAD ACTIVATION	1802PFA-RED-1/4"	2 09M/18 AWG	158 .020
V	POWER CCT	1402PFA-RED-BLX	2 09M/14 AWG	108 .023
X	TELEPHONE		4 09M/24 AWG	

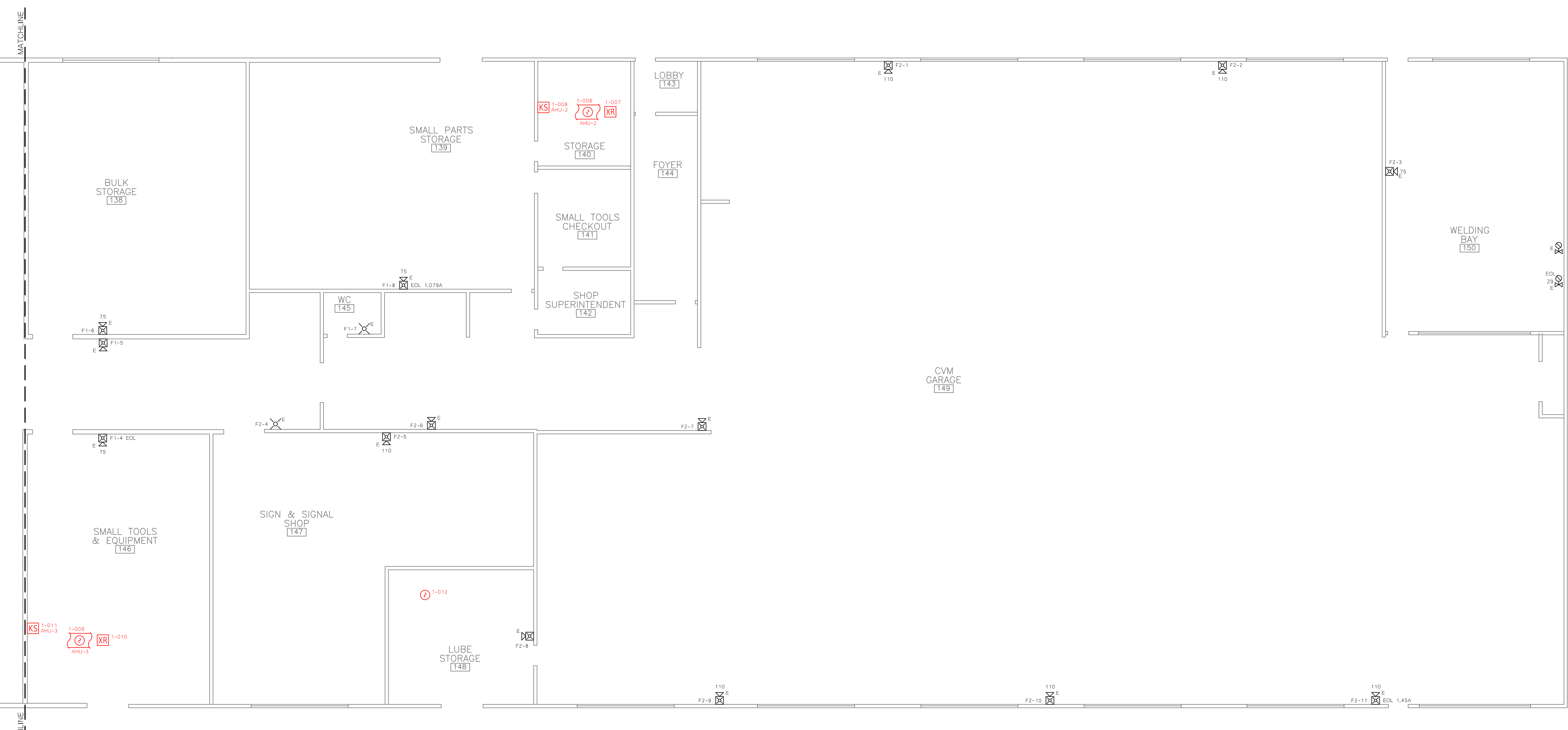
TO DETERMINE CONDUIT SIZE, ADD UP EACH CABLE AREA AND REFER TO THE FOLLOWING WORKMAN: 1/2" x 1/2", 3/4" x 1/2", 1" x 3/4", 1-1/4" x 1/2", 1-1/2" x 1/2"
 COLOR USAGE: RED = BLACK NO STRIPS = STRIPE

OHMMETER TESTS

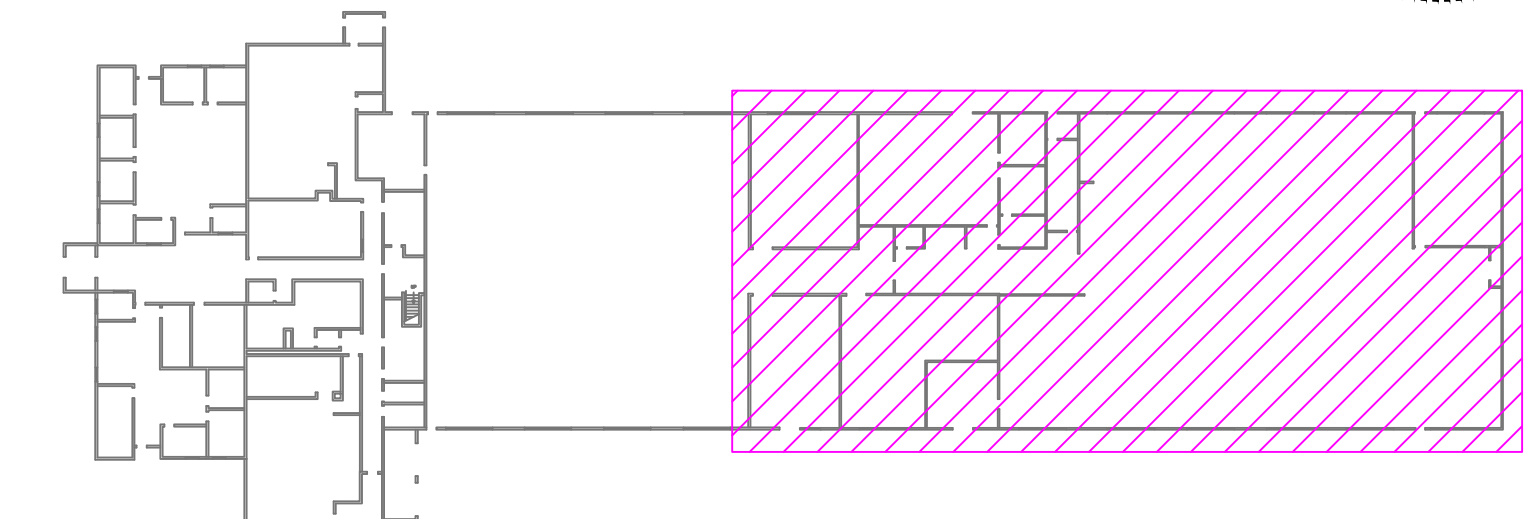
- MEASURE ALL CIRCUITS AS APPLICABLE FOR PROPER EOL RESISTOR.
- MEASURE ALL CONDUCTORS INCLUDING SHIELDS, FOR GROUND FAULTS.
- MEASURE BETWEEN ALL CONDUCTORS INCLUDING SHIELDS, FOR SHORT CIRCUITS.
- REPAIR ALL OPEN CIRCUITS, SHORT CIRCUITS AND GROUND FAULTS AS NEEDED.

GENERAL FIRE ALARM NOTES

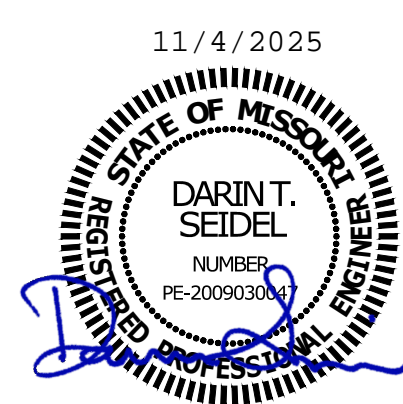
- INSTALL ADDRESSABLE DEVICES PER ADDRESS IN LOCATIONS SHOWN. VERIFY DEVICE IS PROGRAMMED BEFORE INSTALLATION.
- CONDUIT 3/4" MINIMUM UNLESS SHOWN OTHERWISE.
- CONDUIT FIRE ALARM CABINET AT 6" AFF TO THE TOP OF THE CABINET.
- MANUAL FIRE ALARM STATIONS SHALL BE MOUNTED AT 48" AFF TO THE OPERABLE PART.
- LOCATE DETECTORS NOT CLOSER THAN 5'-0" FROM AN AIR SUPPLY DIFFUSER, RETURN AIR OPENING, SPRINKLER HEAD OR CEILING FAN.
- LOCATE DETECTORS NOT CLOSER THAN 12" FROM ANY PART OF A LIGHTING FIXTURE.
- DUCT DETECTOR REMOTE TEST SWITCHES ARE TO BE INSTALLED AS CLOSE TO THE ASSOCIATED DEVICE AS POSSIBLE IN AN ACCESSIBLE LOCATION ACCEPTABLE TO THE OWNER.
- LABEL ALL DUCT DETECTOR REMOTE TEST SWITCHES WITH THE ASSOCIATED MECHANICAL ITEMS NAME.
- IN AREAS WITH EXPOSED DUCTWORK, ETC. PENDANT MOUNT THE CEILING NOTIFICATION DEVICES SO THAT THEY CAN BE VIEWED WITHOUT OBSTRUCTION.
- DO NOT EXCEED RELAY CONTACT RATINGS.
- FIRE/SMOKE DAMPER DUCT DETECTORS ARE TO BE INSTALLED IN THE DUCT WITHIN 5'-0" OF THE DAMPER WITH NO AIR OUTLETS OR INLETS BETWEEN THE DETECTOR AND THE DAMPER.
- WIRING TERMINATIONS FOR CONNECTIONS BETWEEN THE FIRE ALARM SYSTEM AND EQUIPMENT INSTALLED BY OTHER CONTRACTORS (SUCH AS ELEVATORS, HVAC, FIRE SUPPRESSION, AND DOOR CONTROL EQUIPMENT) ARE TO BE MADE BY THAT SYSTEM'S CONTRACTOR.
- WHERE A REQUIRED FIRE ALARM SYSTEM IS OUT OF SERVICE FOR MORE THAN 4 HOURS IN A 24 HOUR PERIOD, THE AHI SHALL BE NOTIFIED, AND THE BUILDING SHALL BE EVACUATED OR AN APPROVED FIRE WATCH SHALL BE PROVIDED FOR ALL PARTIES LEFT UNPROTECTED BY THE SHUTDOWN UNTIL THE FIRE ALARM SYSTEM HAS BEEN RETURNED TO SERVICE.
- THE BRANCH CIRCUIT SUPPLYING THE FIRE ALARM EQUIPMENT SHALL SUPPLY NO OTHER LOADS. THE LOCATION OF THE BRANCH CIRCUIT OVERCURRENT PROTECTIVE DEVICE SHALL BE PERMANENTLY IDENTIFIED AT THE FIRE ALARM CONTROL UNIT. THE CIRCUIT DISCONNECTING MEANS SHALL HAVE RED IDENTIFICATION, SHALL BE ACCESSIBLE ONLY TO QUALIFIED PERSONNEL, AND SHALL BE IDENTIFIED AS "FIRE ALARM CIRCUIT". THE RED IDENTIFICATION SHALL NOT DAMAGE THE OVERCURRENT PROTECTIVE DEVICES OR OBSCURE THE MANUFACTURER'S MARKINGS. THE BRANCH CIRCUIT SHALL NOT BE SUPPLIED THROUGH GROUND-FAULT CIRCUIT INTERRUPTERS OR ARC-FAULT CIRCUIT INTERRUPTERS.



PARTIAL FLOOR PLAN



PARTIAL FLOOR PLAN



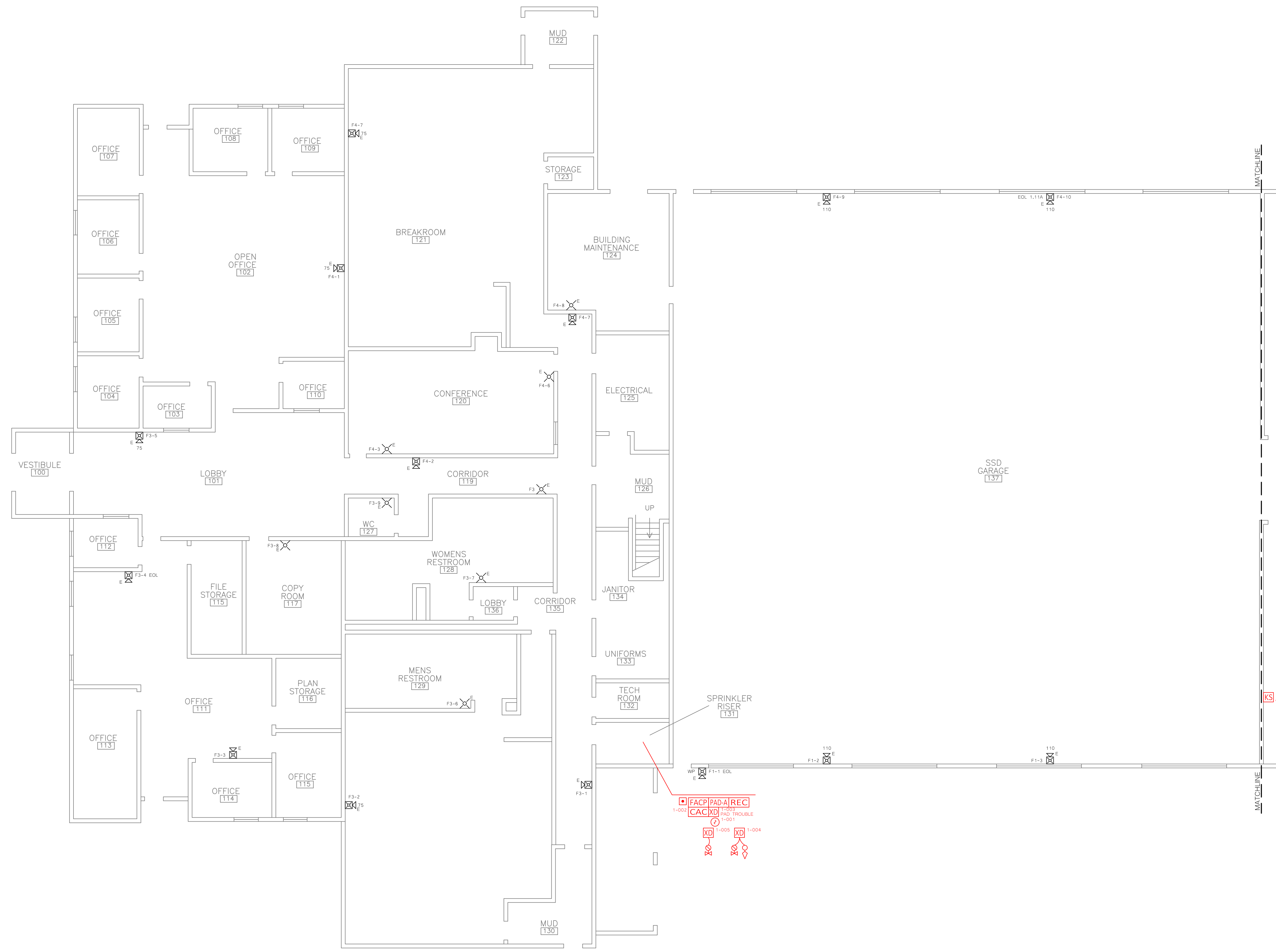
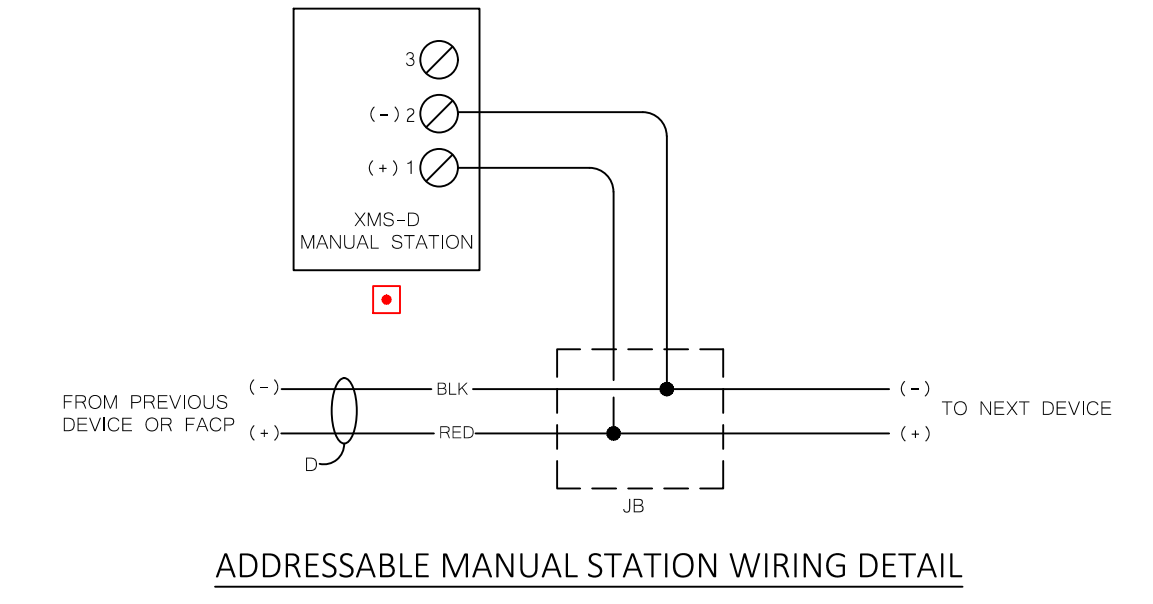
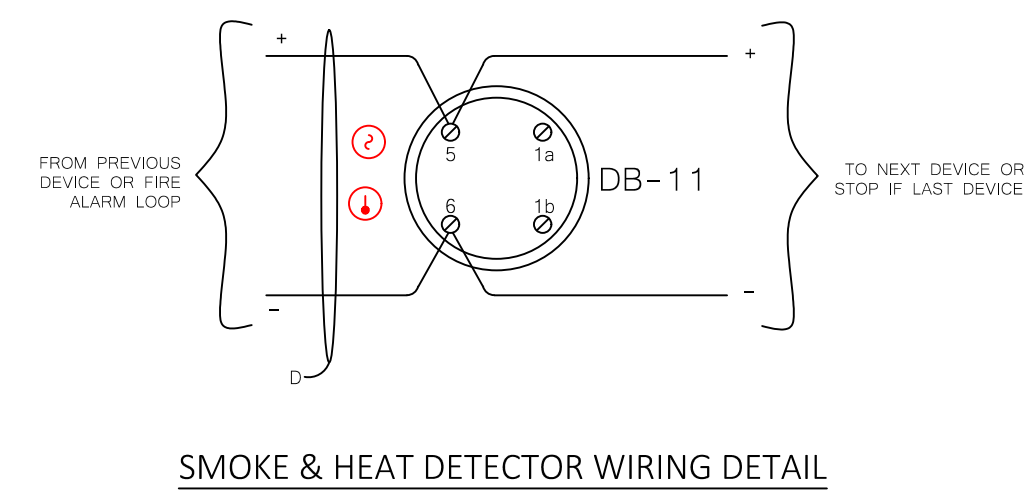
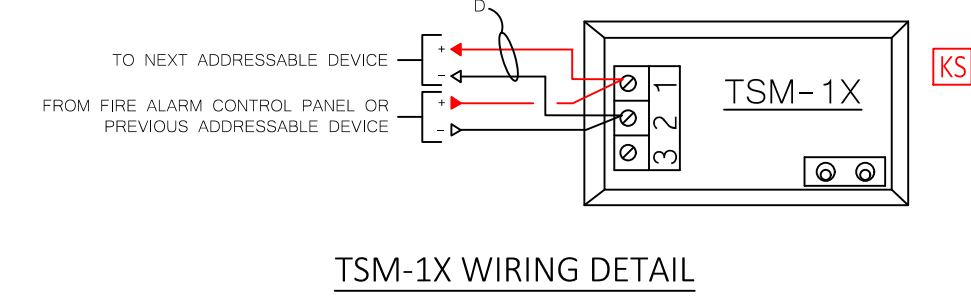
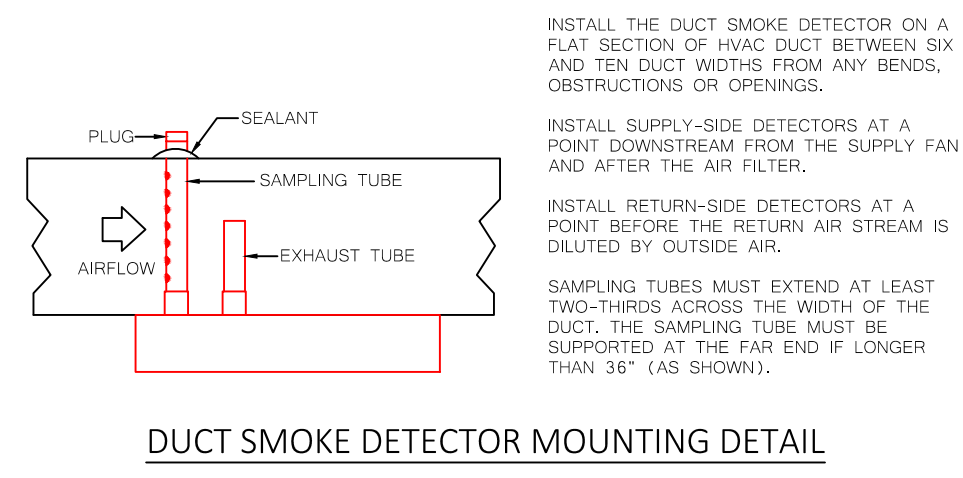
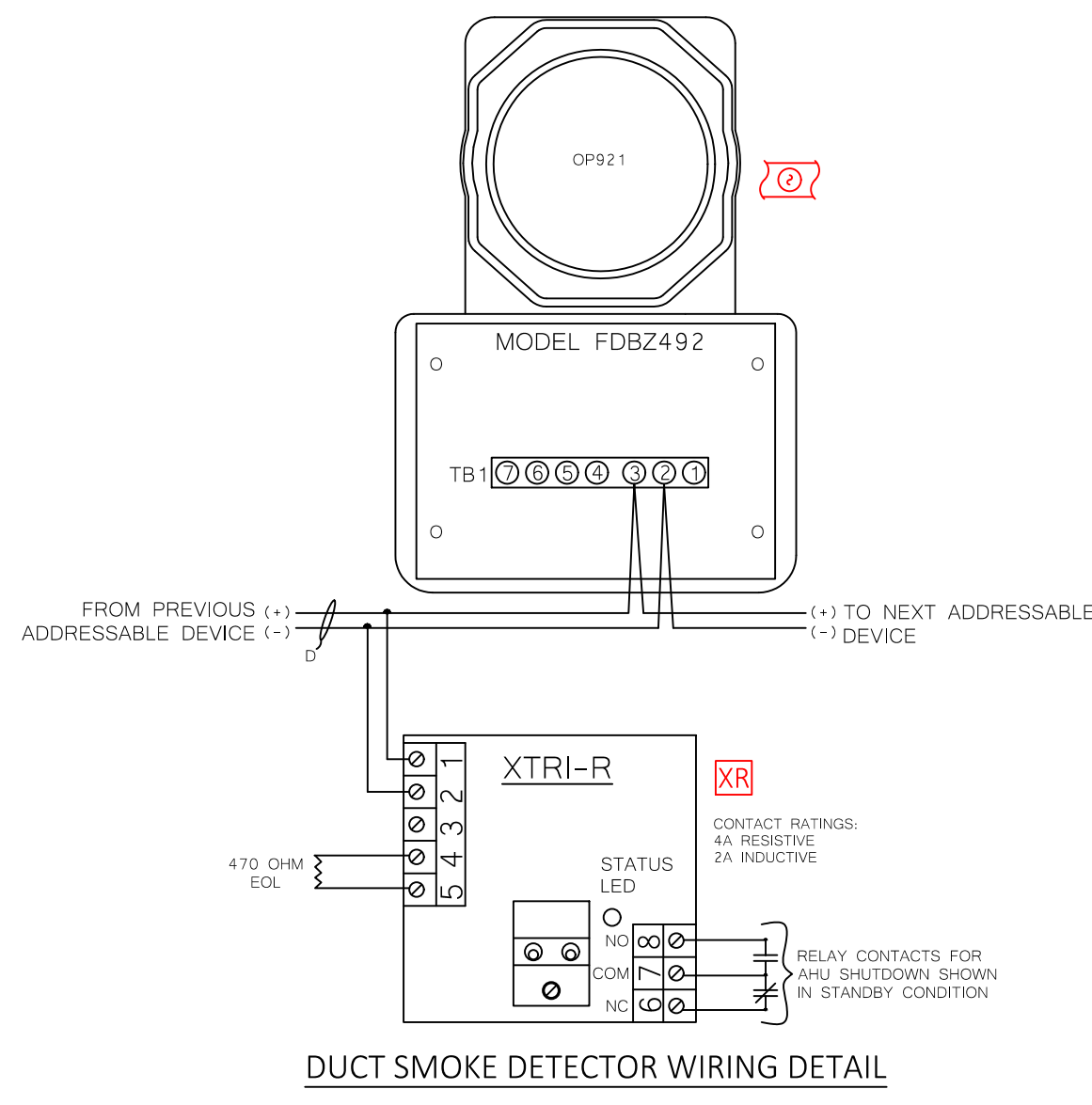
11/4/2025

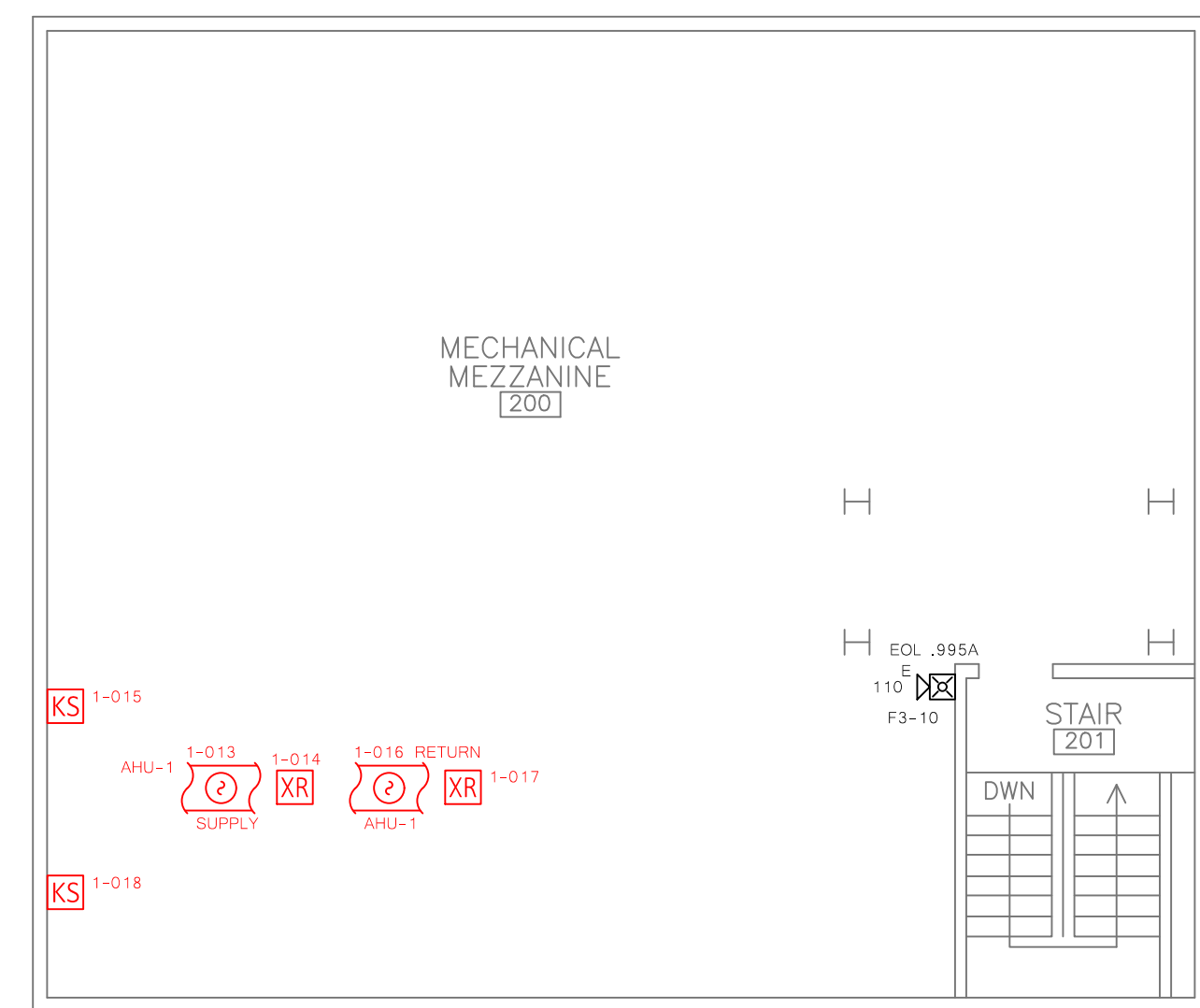
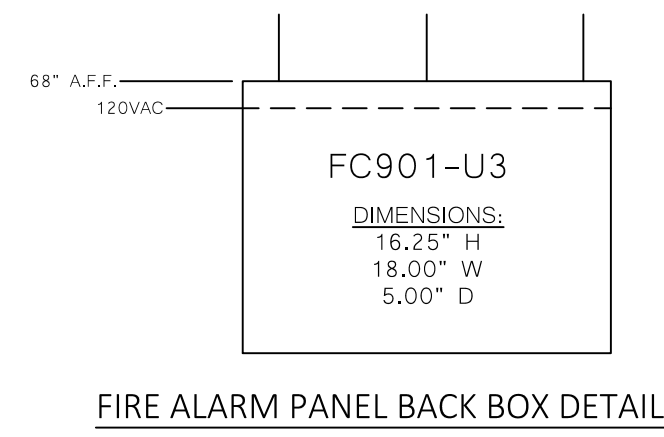
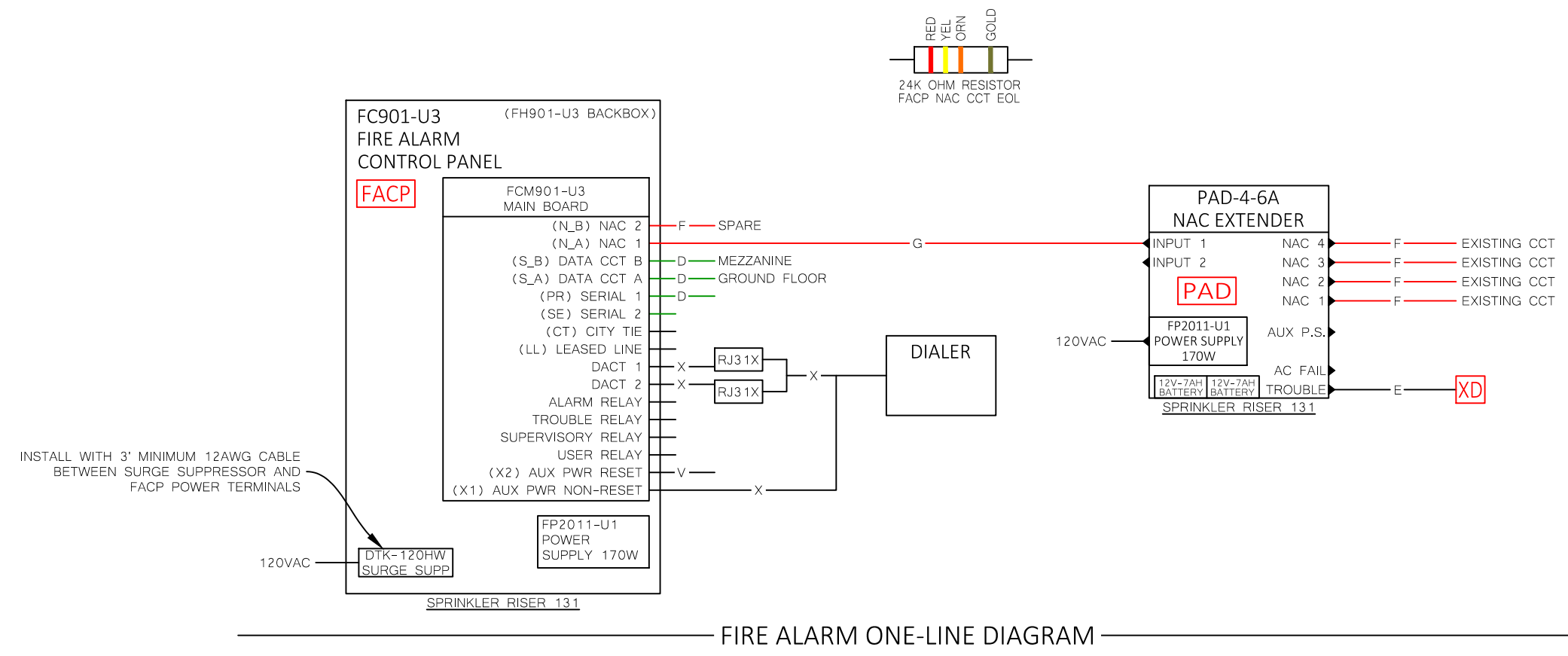

ECC
 ENGINEERS INCORPORATED
 8720 Peacemaker Shawnee, MO 64203 (816) 262-1772

Project Name:
CITY OF LEE'S SUMMIT - MAINTENANCE BUILDING
 1971 SOUTHEAST HAMLIN ROAD
 Lee's Summit, Missouri
 System: FIRE ALARM
 Area: PARTIAL FLOOR PLAN

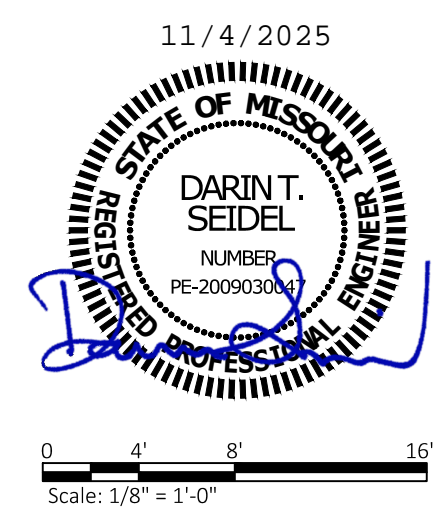
Scale: 1/8" = 1'-0"
 Date: 09/19/2025
 Drawn By: RC
 Scales: SEL
 Eng. By: ZH
 Proc. By: N/A
 PM: BM PC: BP
 Revisions:

Project # **103479**
 Sheet Number
FA-1





FC901 Battery Calculations Worksheet		Fixed Field	Enter Numbers Here
Ver. 2.2.0		Calculated Field	Choose a Value
8/3/2020			
Ref. No	103479		
Submitted By	ECC		
FC901 Panel		Standby (A)	Alarm (A)
Main Board		0.199	0.1964
Device Current Draw		0.0101	0.0101
NAC 1		0	0.01
NAC 2		0	0
Aux power (external)		0.48	0
FCA City Tie		Yes	
FSD901 Remote Annun.		0.05	0.07
Devices	Qty		
HPR-11 / 8713	0	0	0
HPPO-11 / 8710	0	0	0
HPPT-11 / 8712	0	0	0
COHM41	4	0.003	0.003
COHM41	0	0	0
CH921	0	0	0
CP921	2	0.0006	0.0006
HR21	0	0	0
FDQO42	0	0	0
HMS / 8700-SIGM	0	0	0
HTR-SM / 87018702	0	0	0
HTR-D / 8703	0	0	0
HTR-R / 8704	0	0	0
H2M / 8705	0	0	0
HCP / 8706	0	0	0
ILED / 8726	0	0	0
ABHN-4S (High dBA)	0	0	0
ABHN-4S (Low dBA)	0	0	0
ABHN-4S (High dBA)	0	0	0
ABHN-4S (Low dBA)	0	0	0
XTRN-SM	0	0	0
XTRN-D	4	0.002	0.002
XTRN-R	4	0.002	0.002
TSM-1X	4	0.002	0.002
ILED-KC/XW	0	0	0
XMS-S, D, M	1	0.0005	0.0005
PAD-S-MB	0	0	0
PAD-S-CLSA	0	0	0
PAD-S-CDC	0	0	0
Total	18	0.0101	0.0101
Total Current		0.8092	0.2196
Standby Time	94	15.821	
Alarm Time	15		0.054
AH required (no reserve)			15.875
Battery Reserve	110%		
AH Required (with reserve)			17.462445
Battery Provided	8	AH1	Need Battery Box



11/4/2025

Scale: 1/8" = 1'-0"

LINCOLN HEADQUARTERS
 800-366-5320
 DESIGN@ECC.COM
 KANSAS CITY
 816-661-6800
 816-661-6201
 816-661-6201
 877-452-5962
 OMAHA
 402-341-2780
 402-341-1784
 402-341-1784
 417-413-2530
 417-413-2530
 800-785-7878

WERE INTEGRATORS | ECCOINC.COM

BC PROJECT # : 22483 F2
 MISSOURI
 MISSOURI
 PE COA #2009030029
 BC ENGINEERS INCORPORATED
 8720 Praetor Shawnee, KS 66203 (913)282-1772

Project Name
CITY OF LEE'S SUMMIT - MAINTENANCE BUILDING
 1971 SOUTHEAST HAMLIN ROAD
 System: FIRE ALARM
 Area: MEZZANINE PLAN

Scale: 1/8" = 1'-0"
 Date: 09/19/2025
 Drawn By: RC
 Scales: SEL
 Eng By: ZH
 Proc By: N/A
 PM: BM | PC: BP
 Revisions
 Project # 103479
 Sheet Number
FA-3

THIS DRAWING IS THE PROPERTY OF ELECTRONIC CONTRACTING COMPANY. DESIGN INFORMATION, DRAWINGS, DETAILS AND/OR SPECIFICATION DATA MAY NOT BE REPRODUCED OR DUPLICATED WITHOUT WRITTEN CONSENT FROM ECC.