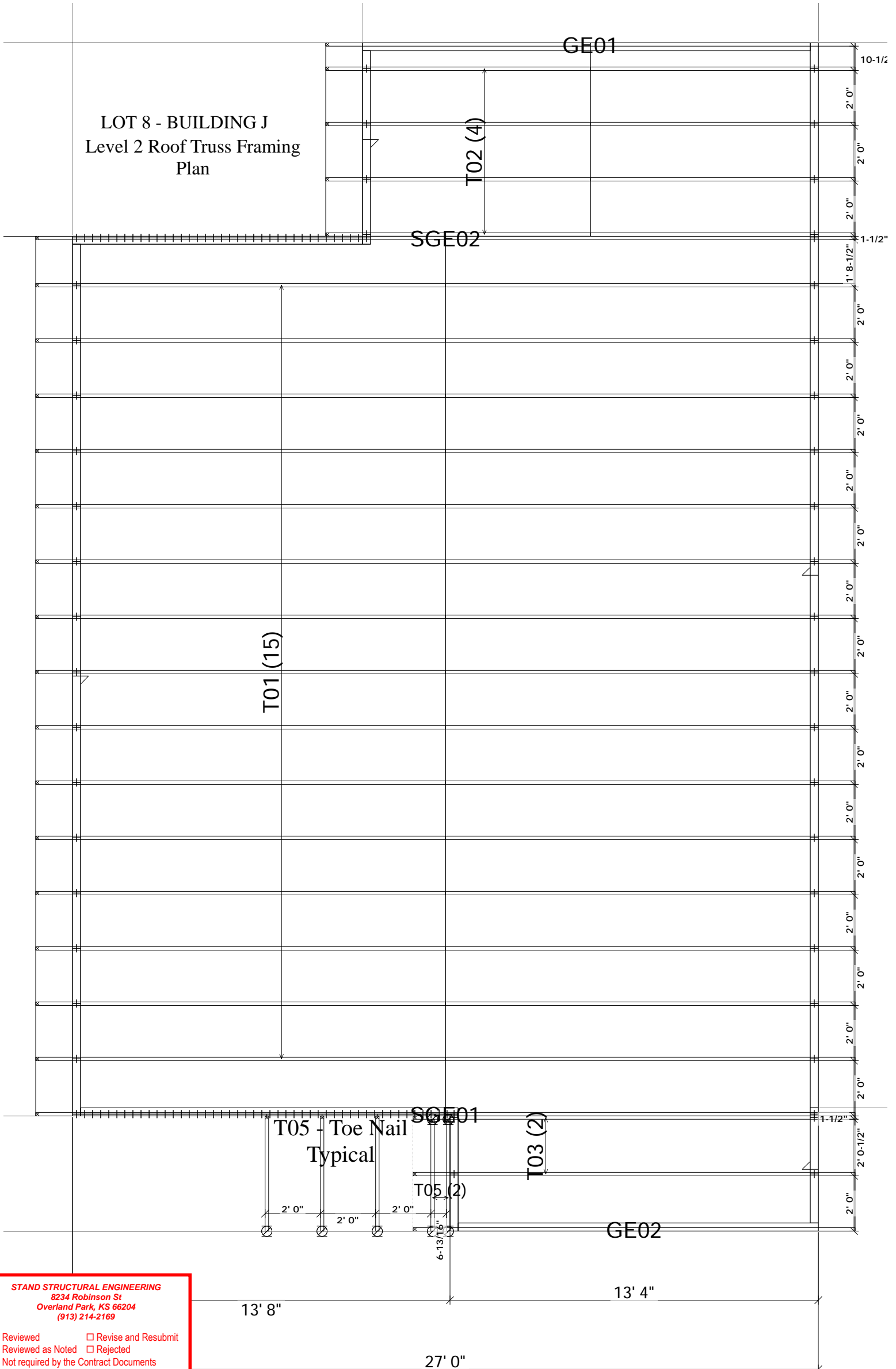


LOT 8 - BUILDING J
Level 2 Roof Truss Framing
Plan



STAND STRUCTURAL ENGINEERING
8234 Robinson St
Overland Park, KS 66204
(913) 214-2169

- Reviewed
- Reviewed as Noted
- Not required by the Contract Documents
- For Record Only
- Revise and Resubmit
- Rejected

Review is only for general conformance with the design concept and the intent of the Contract Documents. Contractor is solely responsible for verifying dimensions, for establishing fabrication processes, means, techniques, sequences and procedures of construction and for coordination of work of all trades. Review action taken and noted to information shown does not authorize deviations from the intent of the contract documents, unless so stated in a separate letter or Change Order. The Structural Engineer and/or Architect-of-Record retained by the Contractor or his Supplier, for the Design / Build portion of the project represented by this submittal, is solely responsible for the correctness, appropriateness and adequacy of the Design / Build system.

By: JFunk
Date: 11/13/2025

**RELEASED FOR
CONSTRUCTION**
As Noted on Plans Review

Development Services Department
Lee's Summit, Missouri
11/13/2025

**RELEASED FOR
CONSTRUCTION**
As Noted on Plans Review

Development Services Department
Lee's Summit, Missouri
11/13/2025

The truss designs referenced below have been prepared by me or under my direct supervision based on the truss design criteria and requirements ("design criteria") provided by **Quality Line Truss**.

These truss designs are intended for the fabrication of individual building components that will perform to the design criteria provided. Any variance from the design criteria will render the affected truss designs inapplicable.

Listed below are the truss designs included in this package and covered by this seal.

Job: LOT 12_J BUILDING_REF FRAMING_11102025 - 1251687
F01, F02, F03-A, F03, F04, F05, F06, F07, F08, F09, FG01, FG02, FG03, FG04, FL01, GE01, GE02, GE03, SGE01, SGE02, T01, T02, T03, T04, T05

Any location identification is for file reference only. No determination of the appropriateness of design criteria for any specific project has been made in preparing the truss designs.

Please refer to individual truss designs for specific design criteria.

11/12/2025



STAND STRUCTURAL ENGINEERING
8234 Robinson St
Overland Park, KS 66204
(913) 214-2169

Reviewed Revise and Resubmit
 Reviewed as Noted Rejected
 Not required by the Contract Documents
 For Record Only

Review is only for general conformance with the design concept and the intent of the Contract Documents. Contractor is solely responsible for verifying dimensions, for establishing fabrication processes, means, techniques, sequences and procedures of construction and for coordination of work of all trades. Review action taken and noted to information shown does not authorize deviations from the intent of the contract documents, unless so stated in a separate letter or Change Order. The Structural Engineer and/or Architect-of-Record retained by the Contractor or his Supplier, for the Design / Build portion of the project represented by this submittal, is solely responsible for the correctness, appropriateness and adequacy of the Design / Build system.

By: JFunk
Date: 11/13/2025

Anish Kekre (MO, 2024044263)
My license expiration date for the state of MO is 12/31/2026.

IMPORTANT NOTE: The responsibility of the engineer sealing this package, as a Truss Engineer, is solely for design of individual trusses as individual building components based upon design criteria provided by others and set forth in the referenced truss drawings. The truss design criteria for the components have not been verified as appropriate for any particular building, project or use. Adequacy and suitability of design criteria and requirements for the truss designs for any specific project are the responsibility of the building designer, not the Truss Engineer, per ANSI/TPI-1, Chapter 2.

DESIGN NOTES

1. The Truss Design Drawing(s) provided with these Design Notes have been prepared under and are subject to ANSI / TPI 1 published by the Truss Plate Institute, www.tpinst.org. Capitalized terms have the meanings provided in ANSI / TPI 1.
2. Copies of each Truss Design Drawing shall be furnished to the installation contractor, Building Designer, Owner and all persons fabricating, handling, installing, bracing, or erecting the trusses.

DESIGN LIMITATIONS

3. The Truss Design Drawing is based upon specifications provided by the Building Designer in accordance with ANS1 / TPI 1. Neither the Truss Designer, Eagle, nor an engineer who seals this design (if any) assumes any responsibility for the adequacy or accuracy of specifications provided by the Building Designer.
4. The Building Designer is solely responsible for the suitability based upon the Truss Design Drawing and shall be responsible for reviewing and verifying that the information shown is in general conformance with the design of the Building.
5. Each Truss Design Drawing is for the individual building component (a truss). A seal on the Truss Design Drawing indicates acceptance of professional engineering responsibility solely for the individual truss.
6. Each Truss Design Drawing assumes trusses will be suitably protected from the environment.

HANDLING, INSTALLING, & BRACING

7. Refer to Building Component Safety Information (BCSI) for handling, installing, restraining and bracing trusses. Copies can be obtained from the Structural Building Components Association, www.sbcindustry.com.
8. Bracing shown on each Truss Design Drawing is for lateral support of individual truss components only to reduce buckling lengths. All temporary and permanent bracing, including lateral load and diagonal or cross bracing, are the responsibility, respectively, of the erector and Building Designer.
9. Eagle is not responsible for improper truss fabrication, handling, erection or bracing.
10. Compression chords shall be laterally braced by the roof or floor sheathing, directly attached, or have purlins provided at spacing shown, unless noted otherwise.

11. Bottom chord required bracing shall be at 10ft spacing or less, if no structural rated ceiling is installed, unless noted otherwise.
12. Strongbacking shall be installed on all parallel chord trusses, including flooring systems, to limit deflection and reduce vibration. Refer to BCSI-B7.
13. Never exceed the design loading shown. Never stack building or other materials on inadequately braced truss; refer to BCSI.
14. Concentration of construction loads greater than the design loads shall not be applied to the trusses at any time; refer to BCSI.
15. Trusses shall be handled with care prior to erection to avoid damage. Refer to BCSI for recommended truss handling and erection.

MATERIALS & FABRICATION

16. Lumber moisture content shall be 19% or less at the time of fabrication unless noted otherwise.
17. Lumber used shall be of the species and size, and in all respects, equal to or better than that specified.
18. Unless expressly noted, the truss designs are not applicable for use with fire retardant or preservative treated lumber.
19. Plates shall be applied on both faces of truss at each joint and embedded fully. Knots and wane at joint locations shall be regulated in accordance with ANSI / TPI 1.
20. For a specified plate gauge and grade, the specified size is a minimum.
21. Connections not shown are the responsibility of others.
22. Adequate support shall be provided to resist gravity, lateral and uplift loads.
23. For 4X2 truss orientation, locate plates 0 - 1/16" from outside the edge of the truss.
24. Fabrication of truss shall be in accordance with ANSI / TPI 1.

OTHER NOTES

25. Camber is a non-structural consideration and is the responsibility of truss fabricator.
26. Do not cut or alter any truss member or plate without prior approval from a professional engineer.
27. Lumber design values are in accordance with ANSI / TPI 1; lumber design values are by others.
28. Install specified hangers per manufacturer recommendations.

SYMBOLS

PLATE SIZE

3X4 - The first dimension is the width perpendicular to slots. Second dimension is the length parallel to slots.

-, /, |, Indicates required direction of slots; Reference "Joint Details" for more information.

20 Ga Gr40 connectors required

3X10-20HS - 20 Ga Gr60 connectors required

8X10-18HS - 18 Ga Gr60 connectors required

LATERAL BRACING

When this symbol shown, continuous lateral bracing is required on the member of the truss.



BEARING

Indicates location where bearings (supports) occur.



PLATE LOCATION & ORIENTATION

The plate shall be centered on joint and/or placed in accordance with the design drawing/QC full scale details.



REFERENCES

- **ANSI / TPI 1:** National Design Standard for Metal Plate Connected Wood Trusses
- **BCSI:** Building Component & Safety Information - Guide to Good Practice for Handling, Installing, Restraining, & Bracing of Metal Plate Connected Wood Trusses.
- **NDS:** National Design Specification for Wood Construction
- **ESR:** 1082 published by the International Code Council. www.icc-es.org

Quality Line Truss Co., LLC

34593 S 4350 RD

Address 2

Adair, OK 74330

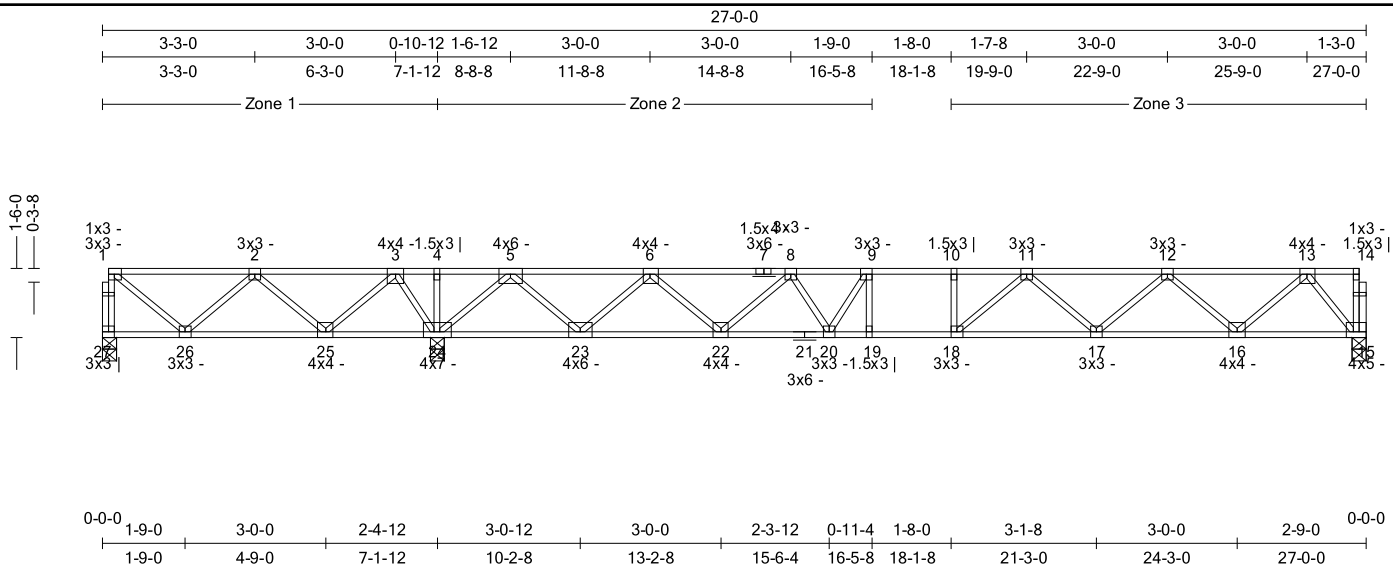
Truss:F01

Job: LOT 12_J BUILDING_REF FRAMING

Date: 11/12/25 10:42:23

Page: 1 of 1

SPAN 27-0-0	PITCH 0/12	QTY 3	OHL 0-0-0	OHR 0-0-0	PLY(S) 1	SPACING 19.19 in	WGT/PLY 138 lbs
----------------	---------------	----------	--------------	--------------	-------------	---------------------	--------------------



All plates shown to be Eagle 20 unless otherwise noted.

Loading (psf)	General	CSI	Deflection	L/	(loc)	Allowed
TCLL : 40	Bldg Code : IBC 2018/	TC : 0.59 (4-5)	Vert TL: 0.3 in	L/772	(17-18)	L/240
TCDL : 10	TPI 1-2014	BC : 0.82 (18-19)	Vert LL: 0.17 in	L/999	(17-18)	L/360
BCLL : 0	Rep Mbr : Yes	Web : 0.24 (5-23)	Horz TL: 0.03 in		15	
BCDL : 10	Lumber D.O.L. : 100 %					

11/12/2025

Reaction

JT	Brg Combo	Brg Width	Rqd Brg Width	Max React	Max Grav Uplift	Max MWFRS Uplift	Max C&C Uplift	Max Uplift	Max Horiz
24	1	3.5 in	1.50 in	2,186 lbs
27	1	3.5 in	1.50 in	190 lbs	-306 lbs	.	.	-306 lbs	.
15	1	3.5 in	1.50 in	940 lbs

Material

TC: SYP#1 4 x 2
 BC: SYP#1 4 x 2
 Web: SYP#1 4 x 2

Loads

1) Concurrent minimum storage attic loading has been applied in accordance with IBC 1607.1

Member Forces

Table indicates: Member ID, max CSI, max tension force, (max compression force). Only forces greater than 300lbs are shown in this table.

Member	Force 1	Force 2	Force 3	Force 4	Force 5	Force 6	Force 7	Force 8	Force 9	Force 10
TC	1-2 0.439 380 lbs	4-5 0.592 2,532 lbs	9-10 0.431 (-2,704 lbs)	12-13 0.268 (-1,446 lbs)						
	2-3 0.586 1,268 lbs	6-8 0.306 (-1,588 lbs)	10-11 0.374 (-2,704 lbs)							
	3-4 0.581 2,532 lbs	8-9 0.431 (-2,415 lbs)	11-12 0.316 (-2,488 lbs)							
BC	15-16 0.179 690 lbs	18-19 0.816 2,704 lbs	22-23 0.237 895 lbs	25-26 0.100 (-793 lbs)						
	16-17 0.461 2,104 lbs	19-20 0.816 2,704 lbs	23-24 0.136 (-1,177 lbs)							
	17-18 0.659 2,734 lbs	20-22 0.408 2,179 lbs	24-25 0.207 (-1,977 lbs)							
Web	1-27 0.060 315 lbs	5-24 0.219 (-1,805 lbs)	9-20 0.075 (-599 lbs)							
	1-26 0.068 (-507 lbs)	5-23 0.245 1,477 lbs	11-17 0.043 (-333 lbs)							
	2-26 0.107 560 lbs	6-23 0.162 (-1,333 lbs)	12-17 0.086 521 lbs							
	2-25 0.107 (-879 lbs)	6-22 0.156 941 lbs	12-16 0.108 (-893 lbs)							
	3-25 0.166 1,002 lbs	8-22 0.097 (-802 lbs)	13-16 0.170 1,026 lbs							
	3-24 0.112 (-1,017 lbs)	8-20 0.086 464 lbs	13-15 0.127 (-1,128 lbs)							

Notes

- 1) Unless noted otherwise, do not cut or alter any truss member or plate without prior approval from a Professional Engineer.
- 2) Unless otherwise specified by the Building Designer, one strongback every 10'-0".
- 3) The fabrication tolerance for this floor truss is 10% (Cq=0.90).
- 4) A creep factor of 2.00 has been applied for this truss analysis.
- 5) The "SYP" label shown in the "Material Summary" above indicates the new SPIB design values effective June 1, 2013 were used.
- 6) Due to negative reactions in gravity load cases, special connections to the bearing surface at joint 27 may need to be considered.



WARNING: Verify all design parameters and follow all notes on this drawing and in the Eagle Metal Design Notes. This design is for an individual building component (a truss), not a truss system, and is based only on parameters shown and provided by the Building Designer. The applicability of the design parameters must be verified by the Building Designer and should properly incorporate this design into the overall building design before use. Bracing shown is only to prevent buckling of individual truss web and/or chord members. Additional temporary and permanent bracing is always required to prevent collapse and provide stability. Design valid only when Eagle Metal connectors are used. A seal on this drawing indicates acceptance of professional engineering responsibility solely for the truss component design shown.

TrueBuild® Truss Software v5.8.14
 Eagle Metal Products

Quality Line Truss Co., LLC

34593 S 4350 RD

Address 2

Adair, OK 74330

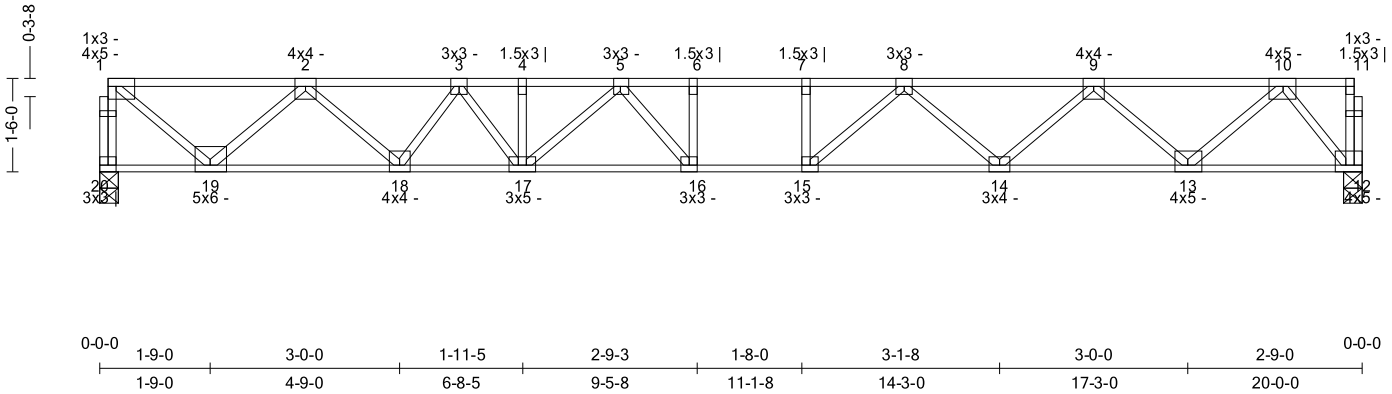
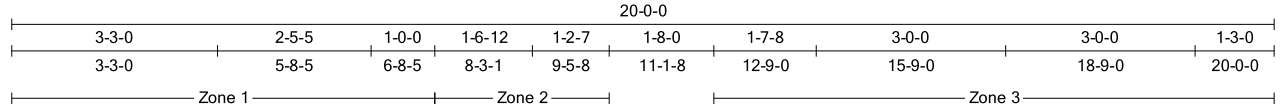
Truss:F02

Job: LOT 12_J BUILDING_REF FRAMING

Date: 11/12/25 10:42:24

Page: 1 of 1

SPAN 20-0-0	PITCH 0/12	QTY 2	OHL 0-0-0	OHR 0-0-0	PLY(S) 1	SPACING 19.19 in	WGT/PLY 104 lbs
----------------	---------------	----------	--------------	--------------	-------------	---------------------	--------------------



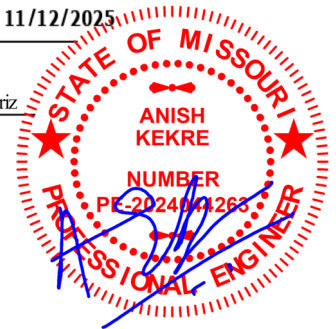
All plates shown to be Eagle 20 unless otherwise noted.

Loading (psf)	General	CSI	Deflection	L/	(loc)	Allowed
TCLL : 40	Bldg Code : IBC 2018/	TC : 0.35 (6-7)	Vert TL: 0.35 in	L / 672	(16-17)	L / 240
TCDL : 10	TPI 1-2014	BC : 0.47 (16-17)	Vert LL: 0.19 in	L / 999	(16-17)	L / 360
BCLL : 0	Rep Mbr : No	Web : 0.26 (1-19)	Horz TL: 0.07 in		12	
BCDL : 10	Lumber D.O.L. : 100 %					

11/12/2025

Reaction

JT	Brg Combo	Brg Width	Rqd Brg Width	Max React	Max Grav Uplift	Max MWFRS Uplift	Max C&C Uplift	Max Uplift	Max Horiz
20	1	3.5 in	1.50 in	1,148 lbs
12	1	3.5 in	1.50 in	1,134 lbs



Material

TC: SYP2400/1.8 4 x 2
 BC: SYP2400/1.8 4 x 2
 Web: SYP#1 4 x 2

Loads

1) Concurrent minimum storage attic loading has been applied in accordance with IBC 1607.1

Load Case D1: Std Dead Load

Point Loads

Member	Location	Direction	Load	Trib Width
Top	6-8-5	Down	43 lbs	

Member Forces

Table indicates: Member ID, max CSI, max tension force, (max compression force). Only forces greater than 300lbs are shown in this table.

Member	Force	Member	Force	Member	Force	Member	Force
TC	1-2 0.248 (-1,161 lbs)	4-5 0.316 (-3,653 lbs)	7-8 0.349 (-4,027 lbs)				
	2-3 0.267 (-2,909 lbs)	5-6 0.343 (-4,027 lbs)	8-9 0.317 (-3,250 lbs)				
	3-4 0.310 (-3,653 lbs)	6-7 0.353 (-4,027 lbs)	9-10 0.208 (-1,810 lbs)				
BC	12-13 0.136 839 lbs	14-15 0.421 3,727 lbs	16-17 0.470 3,936 lbs	18-19 0.253 2,182 lbs			
	13-14 0.294 2,672 lbs	15-16 0.464 4,027 lbs	17-18 0.324 3,313 lbs				
Web	1-20 0.120 (-1,128 lbs)	3-17 0.095 576 lbs	9-14 0.130 783 lbs				
	1-19 0.256 1,546 lbs	5-17 0.050 (-377 lbs)	9-13 0.142 (-1,170 lbs)				
	2-19 0.168 (-1,385 lbs)	5-16 0.075 392 lbs	10-13 0.218 1,316 lbs				
	2-18 0.163 987 lbs	8-15 0.109 573 lbs	10-12 0.154 (-1,373 lbs)				
	3-18 0.080 (-715 lbs)	8-14 0.079 (-648 lbs)					

Notes

- 1) Unless noted otherwise, do not cut or alter any truss member or plate without prior approval from a Professional Engineer.
- 2) Unless otherwise specified by the Building Designer, one strongback every 10'-0".
- 3) The fabrication tolerance for this floor truss is 10 % (Cq = 0.90).
- 4) A creep factor of 2.00 has been applied for this truss analysis.
- 5) The "SYP" label shown in the "Material Summary" above indicates the new SPIB design values effective June 1, 2013 were used.

WARNING: Verify all design parameters and follow all notes on this drawing and in the Eagle Metal Design Notes. This design is for an individual building component (a truss), not a truss system, and is based only on parameters shown and provided by the Building Designer. The applicability of the design parameters must be verified by the Building Designer and should properly incorporate this design into the overall building design before use. Bracing shown is only to prevent buckling of individual truss web and/or chord members. Additional temporary and permanent bracing is always required to prevent collapse and provide stability. Design valid only when Eagle Metal connectors are used. A seal on this drawing indicates acceptance of professional engineering responsibility solely for the truss component design shown.

TrueBuild® Truss Software v5.8.14
 Eagle Metal Products

Quality Line Truss Co., LLC

34593 S 4350 RD

Address 2

Adair, OK 74330

Truss:F03

Job: LOT 12_J BUILDING_REF FRAMING

Date: 11/12/25 10:42:25

Page: 2 of 2

SPAN
27-0-0

PITCH
0/12

QTY
1

OHL
0-0-0

OHR
0-0-0

PLY(S)
1

SPACING
19.19 in

WGT/PLY
141 lbs

4) A creep factor of 2.00 has been applied for this truss analysis.

5) The "SYP" label shown in the "Material Summary" above indicates the new SPIB design values effective June 1, 2013 were used.

WARNING: Verify all design parameters and follow all notes on this drawing and in the Eagle Metal Design Notes.

This design is for an individual building component (a truss), not a truss system, and is based only on parameters shown and provided by the Building Designer. The applicability of the design parameters must be verified by the Building Designer and should properly incorporate this design into the overall building design before use. Bracing shown is only to prevent buckling of individual truss web and/or chord members. Additional temporary and permanent bracing is always required to prevent collapse and provide stability. Design valid only when Eagle Metal connectors are used. A seal on this drawing indicates acceptance of professional engineering responsibility solely for the truss component design shown.

TrueBuild® Truss Software v5.8.14
Eagle Metal Products

Quality Line Truss Co., LLC

34593 S 4350 RD

Address 2

Adair, OK 74330

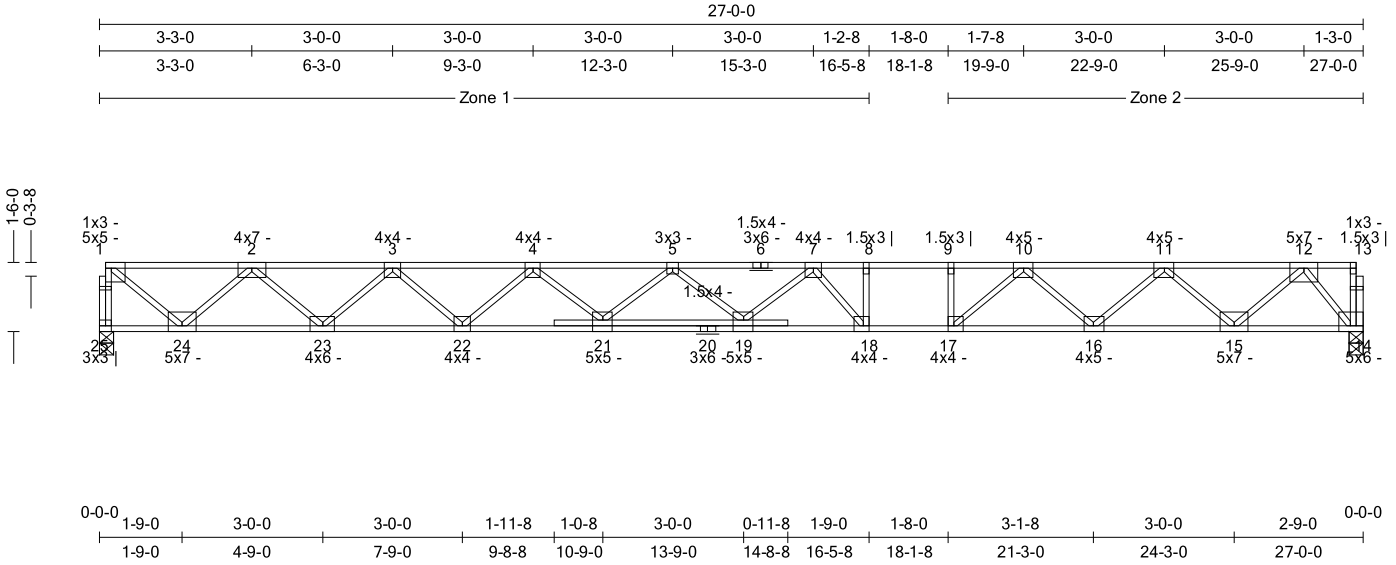
Truss:F03-A

Job: LOT 12_J BUILDING_REF FRAMING

Date: 11/12/25 10:42:26

Page: 1 of 1

SPAN 27-0-0	PITCH 0/12	QTY 12	OHL 0-0-0	OHR 0-0-0	PLY(S) 1	SPACING 19.19 in	WGT/PLY 145 lbs
----------------	---------------	-----------	--------------	--------------	-------------	---------------------	--------------------



All plates shown to be Eagle 20 unless otherwise noted.

Loading (psf)	General	CSI	Deflection	L/	(loc)	Allowed
TCLL : 40	Bldg Code : IBC 2018/	TC : 0.78 (8-9)	Vert TL: 1.22 in	L/259	(18-19)	L/240
TCDL : 10	TPI 1-2014	BC : 0.99 (18-19)	Vert LL: 0.7 in	L/454	(18-19)	L/360
BCLL : 0	Rep Mbr : Yes	Web : 0.35 (1-24)	Horz TL: 0.16 in		14	
BCDL : 10	Lumber D.O.L. : 100 %					

Reaction

JT	Brg Combo	Brg Width	Rqd Brg Width	Max React	Max Grav Uplift	Max MWFRS Uplift	Max C&C Uplift	Max Uplift	Max Horiz
25	1	3.5 in	1.50 in	1,511 lbs					
14	1	3.5 in	1.50 in	1,511 lbs					

Material

TC: SYP2400/1.8 4 x 2
 BC: SYP2400/1.8 4 x 2
 Web: SYP#1 4 x 2

Loads

1) Concurrent minimum storage attic loading has been applied in accordance with IBC 1607.1

Member Forces

Table indicates: Member ID, max CSI, max tension force, (max compression force). Only forces greater than 300lbs are shown in this table.

Member	Force 1	Force 2	Force 3	Force 4	Force 5	Force 6	Force 7	Force 8	Force 9	Force 10	Force 11	Force 12
TC	1-2 0.224 (-1,572 lbs)	4-5 0.643 (-7,243 lbs)	8-9 0.782 (-6,629 lbs)	11-12 0.224 (-2,521 lbs)	2-3 0.365 (-4,112 lbs)	5-7 0.676 (-7,618 lbs)	9-10 0.760 (-6,629 lbs)	10-11 0.421 (-4,742 lbs)	3-4 0.523 (-5,886 lbs)	7-8 0.754 (-6,629 lbs)		
BC	14-15 0.164 1,131 lbs	17-18 0.936 6,629 lbs	21-22 0.608 6,686 lbs		15-16 0.392 3,783 lbs	18-19 0.992 7,257 lbs	22-23 0.452 5,126 lbs		16-17 0.837 5,675 lbs	19-21 0.349 7,566 lbs	23-24 0.289 2,993 lbs	
Web	1-25 0.159 (-1,488 lbs)	4-22 0.131 (-1,083 lbs)	9-17 0.065 (-535 lbs)	12-14 0.208 (-1,849 lbs)	1-24 0.347 2,094 lbs	4-21 0.123 742 lbs	10-17 0.236 1,272 lbs		2-24 0.234 (-1,928 lbs)	5-21 0.053 (-430 lbs)	10-16 0.153 (-1,265 lbs)	
	2-23 0.251 1,518 lbs	7-19 0.098 517 lbs	11-16 0.215 1,301 lbs		3-23 0.167 (-1,376 lbs)	7-18 0.131 (-1,024 lbs)	11-15 0.208 (-1,713 lbs)		3-22 0.171 1,031 lbs	8-18 0.081 428 lbs	12-15 0.312 1,885 lbs	

Notes

- 1) Unless noted otherwise, do not cut or alter any truss member or plate without prior approval from a Professional Engineer.
- 2) Unless otherwise specified by the Building Designer, two strongbacks recommended at one third points of the truss span. Strongback spacing or strongback to support should not exceed 10'-0".
- 3) The fabrication tolerance for this floor truss is 10% (Cq=0.90).
- 4) A creep factor of 2.00 has been applied for this truss analysis.
- 5) The "SYP" label shown in the "Material Summary" above indicates the new SPIB design values effective June 1, 2013 were used.



WARNING: Verify all design parameters and follow all notes on this drawing and in the Eagle Metal Design Notes. This design is for an individual building component (a truss), not a truss system, and is based only on parameters shown and provided by the Building Designer. The applicability of the design parameters must be verified by the Building Designer and should properly incorporate this design into the overall building design before use. Bracing shown is only to prevent buckling of individual truss web and/or chord members. Additional temporary and permanent bracing is always required to prevent collapse and provide stability. Design valid only when Eagle Metal connectors are used. A seal on this drawing indicates acceptance of professional engineering responsibility solely for the truss component design shown.

TrueBuild® Truss Software v5.8.14
 Eagle Metal Products

Quality Line Truss Co., LLC

34593 S 4350 RD

Address 2

Adair, OK 74330

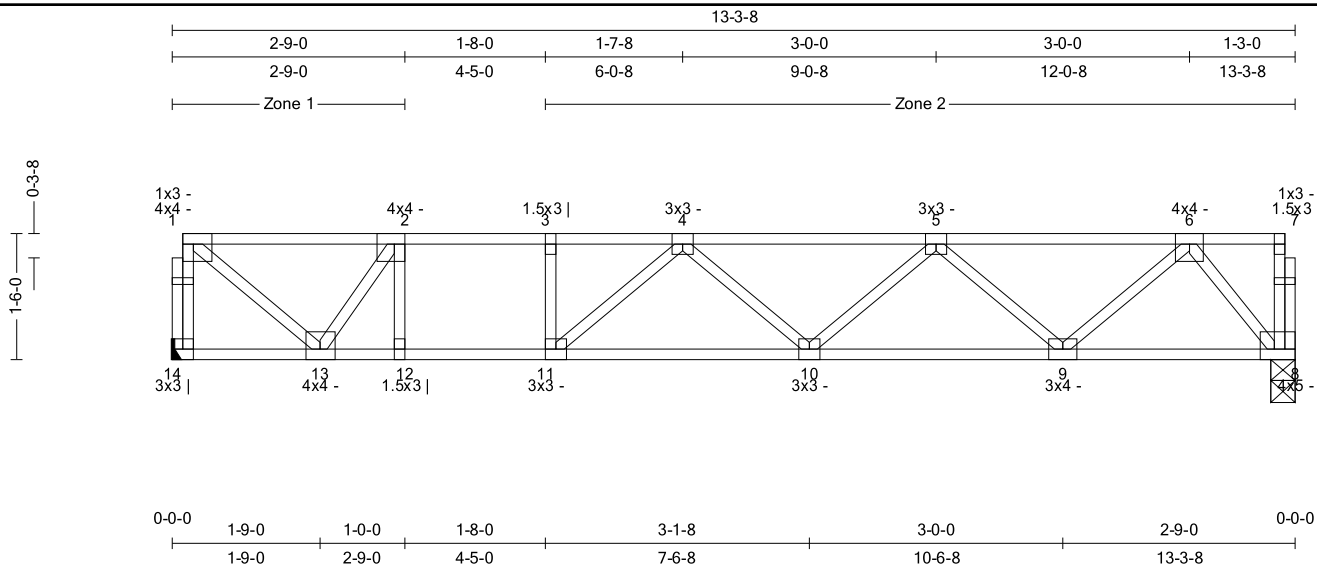
Truss:F05

Job: LOT 12_J BUILDING_REF FRAMING

Date: 11/12/25 10:42:28

Page: 1 of 1

SPAN 13-3-8	PITCH 0/12	QTY 2	OHL 0-0-0	OHR 0-0-0	PLY(S) 1	SPACING 19.19 in	WGT/PLY 70 lbs
----------------	---------------	----------	--------------	--------------	-------------	---------------------	-------------------



All plates shown to be Eagle 20 unless otherwise noted.

Loading (psf)	General	CSI	Deflection	L/	(loc)	Allowed
TCLL : 40	Bldg Code : IBC 2018/	TC : 0.42 (2-3)	Vert TL: 0.27 in	L/571	(10-11)	L/240
TCDL : 10	TPI 1-2014	BC : 0.71 (12-13)	Vert LL: 0.16 in	L/959	(10-11)	L/360
BCLL : 0	Rep Mbr : No	Web : 0.17 (1-13)	Horz TL: 0.02 in		8	
BCDL : 10	Lumber D.O.L. : 100 %					

11/12/2025

Reaction

JT	Brg Combo	Brg Width	Rqd Brg Width	Max React	Max Grav Uplift	Max MWFRS Uplift	Max C&C Uplift	Max Uplift	Max Horiz
14	1	1.5 in	—	744 lbs
8	1	3.5 in	1.50 in	744 lbs

Material

TC: SYP2400/1.8 4 x 2
 BC: SYP2400/1.8 4 x 2
 Web: SYP#1 4 x 2

Loads

1) Concurrent minimum storage attic loading has been applied in accordance with IBC 1607.1

Member Forces

Table indicates: Member ID, max CSI, max tension force, (max compression force). Only forces greater than 300lbs are shown in this table.

TC	1-2	0.420	(-749 lbs)	3-4	0.399	(-1,334 lbs)	5-6	0.178	(-1,075 lbs)
	2-3	0.424	(-1,334 lbs)	4-5	0.204	(-1,707 lbs)			
BC	8-9	0.106	538 lbs	10-11	0.528	1,709 lbs	12-13	0.711	1,334 lbs
	9-10	0.297	1,524 lbs	11-12	0.711	1,334 lbs			
Web	1-14	0.074	(-697 lbs)	2-12	0.076	433 lbs	6-9	0.121	728 lbs
	1-13	0.165	997 lbs	4-11	0.065	(-499 lbs)	6-8	0.099	(-880 lbs)
	2-13	0.115	(-1,039 lbs)	5-9	0.074	(-610 lbs)			

Notes

- 1) Unless noted otherwise, do not cut or alter any truss member or plate without prior approval from a Professional Engineer.
- 2) Unless otherwise specified by the Building Designer, one strongback every 10'-0".
- 3) The fabrication tolerance for this floor truss is 10 % (Cq = 0.90).
- 4) Hanger is for graphical interpretation only. Install hanger per manufacturer's recommendation.
- 5) A creep factor of 2.00 has been applied for this truss analysis.
- 6) The "SYP" label shown in the "Material Summary" above indicates the new SPIB design values effective June 1, 2013 were used.



WARNING: Verify all design parameters and follow all notes on this drawing and in the Eagle Metal Design Notes. This design is for an individual building component (a truss), not a truss system, and is based only on parameters shown and provided by the Building Designer. The applicability of the design parameters must be verified by the Building Designer and should properly incorporate this design into the overall building design before use. Bracing shown is only to prevent buckling of individual truss web and/or chord members. Additional temporary and permanent bracing is always required to prevent collapse and provide stability. Design valid only when Eagle Metal connectors are used. A seal on this drawing indicates acceptance of professional engineering responsibility solely for the truss component design shown.

TrueBuild® Truss Software v5.8.14
 Eagle Metal Products

1251687 0009/0033

Quality Line Truss Co., LLC

34593 S 4350 RD

Address 2

Adair, OK 74330

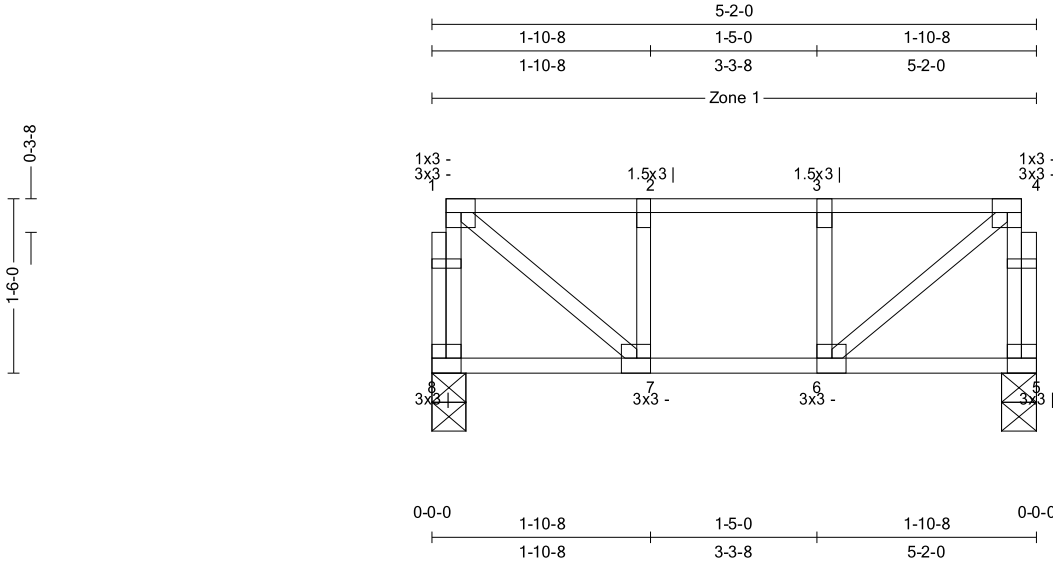
Truss:F06

Job: LOT 12_J BUILDING_REF FRAMING

Date: 11/12/25 10:42:29

Page: 1 of 1

SPAN 5-2-0	PITCH 0/12	QTY 1	OHL 0-0-0	OHR 0-0-0	PLY(S) 1	SPACING 19.19 in	WGT/PLY 30 lbs
---------------	---------------	----------	--------------	--------------	-------------	---------------------	-------------------



All plates shown to be Eagle 20 unless otherwise noted.

Loading (psf)	General	CSI	Deflection	L/	(loc)	Allowed
TCLL : 40	Bldg Code : IBC 2018/	TC : 0.11 (1-2)	Vert TL: 0.01 in	L / 999	(5-6)	L / 240
TCDL : 10	TPI 1-2014	BC : 0.11 (6-7)	Vert LL: 0.01 in	L / 999	(5-6)	L / 360
BCLL : 0	Rep Mbr : No	Web : 0.05 (1-7)	Horz TL: 0 in		5	
BCDL : 10	Lumber D.O.L. : 100 %					

11/12/2025

Reaction

JT	Brg Combo	Brg Width	Rqd Brg Width	Max React	Max Grav Uplift	Max MWFRS Uplift	Max C&C Uplift	Max Uplift	Max Horiz
8	1	3.5 in	1.50 in	289 lbs
5	1	3.5 in	1.50 in	289 lbs

Material

TC: SYP#1 4 x 2

BC: SYP#1 4 x 2

Web: SYP#1 4 x 2

Loads

1) Concurrent minimum storage attic loading has been applied in accordance with IBC 1607.1

Member Forces

Table indicates: Member ID, max CSI, max tension force, (max compression force). Only forces greater than 300lbs are shown in this table.

TC	BC	Web
		1-7 0.051 309 lbs
		4-6 0.051 309 lbs

Notes

- 1) Unless noted otherwise, do not cut or alter any truss member or plate without prior approval from a Professional Engineer.
- 2) The fabrication tolerance for this floor truss is 10 % (Cq = 0.90).
- 3) A creep factor of 2.00 has been applied for this truss analysis.
- 4) The "SYP" label shown in the "Material Summary" above indicates the new SPIB design values effective June 1, 2013 were used.



WARNING: Verify all design parameters and follow all notes on this drawing and in the Eagle Metal Design Notes. This design is for an individual building component (a truss), not a truss system, and is based only on parameters shown and provided by the Building Designer. The applicability of the design parameters must be verified by the Building Designer and should properly incorporate this design into the overall building design before use. Bracing shown is only to prevent buckling of individual truss web and/or chord members. Additional temporary and permanent bracing is always required to prevent collapse and provide stability. Design valid only when Eagle Metal connectors are used. A seal on this drawing indicates acceptance of professional engineering responsibility solely for the truss component design shown.

TrueBuild® Truss Software v5.8.14
Eagle Metal Products

Quality Line Truss Co., LLC

34593 S 4350 RD

Address 2

Adair, OK 74330

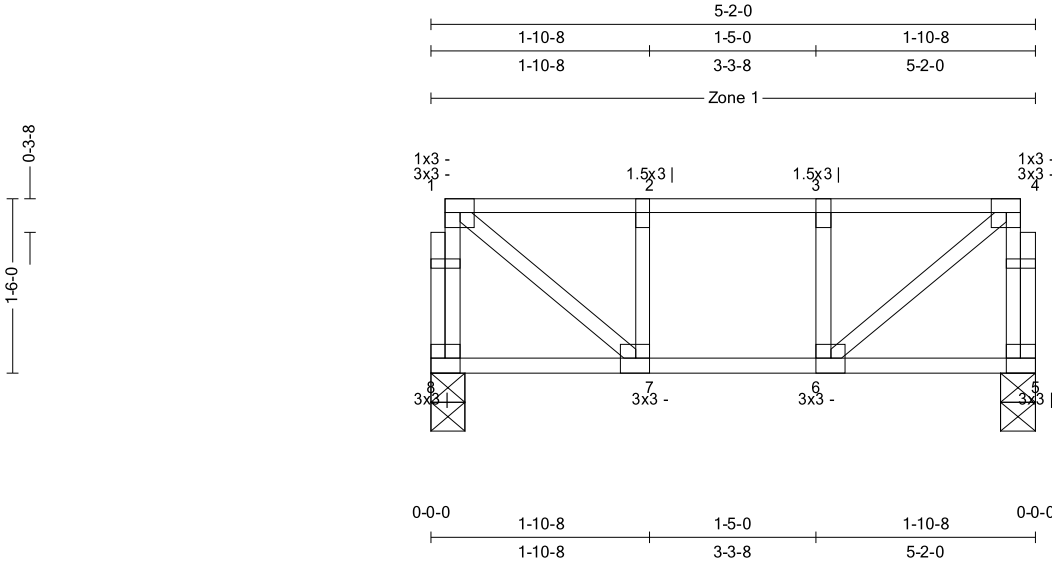
Truss:F07

Job: LOT 12_J BUILDING_REF FRAMING

Date: 11/12/25 10:42:30

Page: 1 of 1

SPAN 5-2-0	PITCH 0/12	QTY 3	OHL 0-0-0	OHR 0-0-0	PLY(S) 1	SPACING 24 in	WGT/PLY 30 lbs
---------------	---------------	----------	--------------	--------------	-------------	------------------	-------------------



All plates shown to be Eagle 20 unless otherwise noted.

Loading (psf)	General	CSI	Deflection	L/	(loc)	Allowed
TCLL : 40	Bldg Code : IBC 2018/	TC : 0.12 (3-4)	Vert TL: 0.01 in	L / 999	(5-6)	L / 240
TCDL : 10	TPI 1-2014	BC : 0.12 (6-7)	Vert LL: 0.01 in	L / 999	(5-6)	L / 360
BCLL : 0	Rep Mbr : Yes	Web : 0.06 (1-7)	Horz TL: 0 in		5	
BCDL : 10	Lumber D.O.L. : 100 %					

11/12/2025

Reaction

JT	Brg Combo	Brg Width	Rqd Brg Width	Max React	Max Grav Uplift	Max MWFRS Uplift	Max C&C Uplift	Max Uplift	Max Horiz
8	1	3.5 in	1.50 in	362 lbs
5	1	3.5 in	1.50 in	362 lbs

Material

TC: SYP#1 4 x 2

BC: SYP#1 4 x 2

Web: SYP#1 4 x 2

Loads

1) Concurrent minimum storage attic loading has been applied in accordance with IBC 1607.1

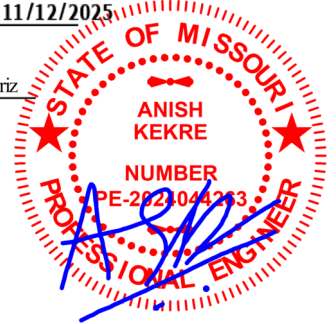
Member Forces

Table indicates: Member ID, max CSI, max tension force, (max compression force). Only forces greater than 300lbs are shown in this table.

TC	BC	Web
1-8	0.035	(-326 lbs)
1-7	0.064	386 lbs
4-6	0.064	386 lbs
4-5	0.035	(-326 lbs)

Notes

- 1) Unless noted otherwise, do not cut or alter any truss member or plate without prior approval from a Professional Engineer.
- 2) The fabrication tolerance for this floor truss is 10 % (Cq = 0.90).
- 3) A creep factor of 2.00 has been applied for this truss analysis.
- 4) The "SYP" label shown in the "Material Summary" above indicates the new SPIB design values effective June 1, 2013 were used.



WARNING: Verify all design parameters and follow all notes on this drawing and in the Eagle Metal Design Notes. This design is for an individual building component (a truss), not a truss system, and is based only on parameters shown and provided by the Building Designer. The applicability of the design parameters must be verified by the Building Designer and should properly incorporate this design into the overall building design before use. Bracing shown is only to prevent buckling of individual truss web and/or chord members. Additional temporary and permanent bracing is always required to prevent collapse and provide stability. Design valid only when Eagle Metal connectors are used. A seal on this drawing indicates acceptance of professional engineering responsibility solely for the truss component design shown.

TrueBuild® Truss Software v5.8.14
Eagle Metal Products

Quality Line Truss Co., LLC

34593 S 4350 RD

Address 2

Adair, OK 74330

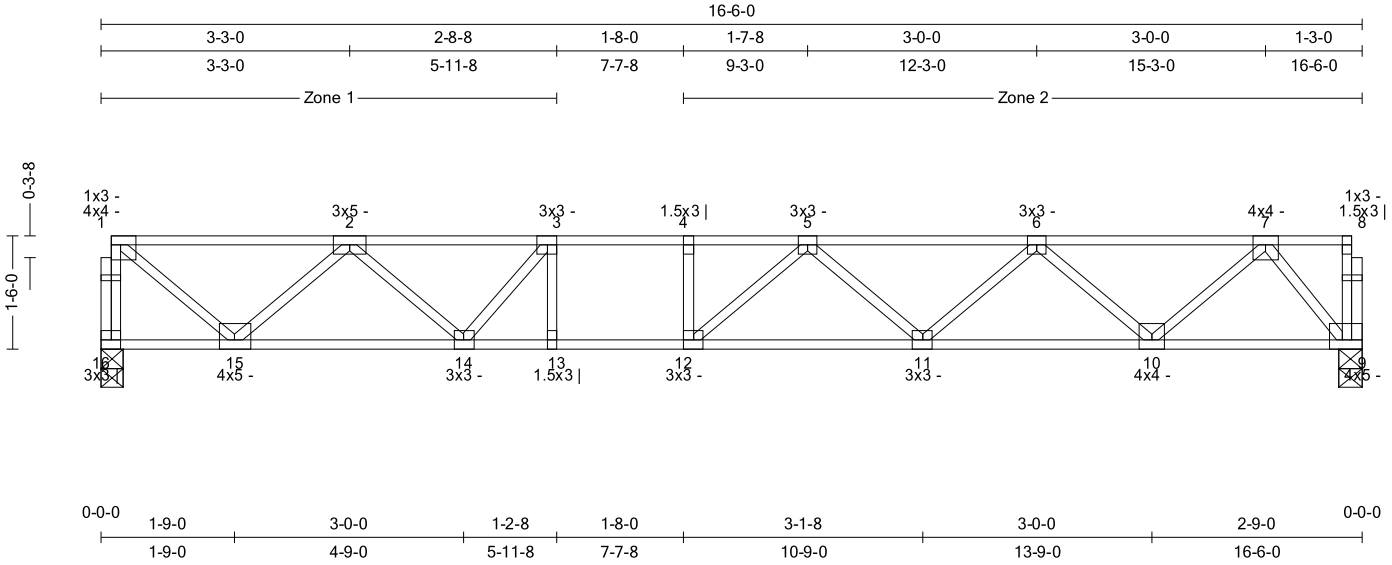
Truss:F08

Job: LOT 12_J BUILDING_REF FRAMING

Date: 11/12/25 10:42:31

Page: 1 of 1

SPAN 16-6-0	PITCH 0/12	QTY 4	OHL 0-0-0	OHR 0-0-0	PLY(S) 1	SPACING 19.19 in	WGT/PLY 84 lbs
----------------	---------------	----------	--------------	--------------	-------------	---------------------	-------------------



All plates shown to be Eagle 20 unless otherwise noted.

Loading (psf)	General	CSI	Deflection	L/	(loc)	Allowed
TCLL : 40	Bldg Code : IBC 2018/	TC : 0.43 (2-3)	Vert TL: 0.27 in	L/704	(11-12)	L/240
TCDL : 10	TPI 1-2014	BC : 0.83 (13-14)	Vert LL: 0.16 in	L/999	(11-12)	L/360
BCLL : 0	Rep Mbr : Yes	Web : 0.20 (1-15)	Horz TL: 0.04 in		9	
BCDL : 10	Lumber D.O.L. : 100 %					

11/12/2025

Reaction

JT	Brg Combo	Brg Width	Rqd Brg Width	Max React	Max Grav Uplift	Max MWFRS Uplift	Max C&C Uplift	Max Uplift	Max Horiz
16	1	3.5 in	1.50 in	923 lbs
9	1	3.5 in	1.50 in	923 lbs

Material

TC: SYP#1 4 x 2
BC: SYP#1 4 x 2
Web: SYP#1 4 x 2

Loads

1) Concurrent minimum storage attic loading has been applied in accordance with IBC 1607.1

Member Forces

Table indicates: Member ID, max CSI, max tension force, (max compression force). Only forces greater than 300lbs are shown in this table.

TC	1-2	0.369	(-903 lbs)	3-4	0.402	(-2,573 lbs)	5-6	0.311	(-2,419 lbs)
	2-3	0.433	(-2,178 lbs)	4-5	0.404	(-2,573 lbs)	6-7	0.267	(-1,414 lbs)
BC	9-10	0.178	677 lbs	11-12	0.693	2,640 lbs	13-14	0.832	2,573 lbs
	10-11	0.464	2,053 lbs	12-13	0.832	2,573 lbs	14-15	0.353	1,670 lbs
Web	1-16	0.097	(-905 lbs)	3-14	0.077	(-617 lbs)	7-10	0.165	999 lbs
	1-15	0.199	1,203 lbs	5-11	0.038	(-301 lbs)	7-9	0.124	(-1,107 lbs)
	2-15	0.126	(-1,040 lbs)	6-11	0.082	495 lbs			
	2-14	0.114	688 lbs	6-10	0.105	(-868 lbs)			

Notes

- 1) Unless noted otherwise, do not cut or alter any truss member or plate without prior approval from a Professional Engineer.
- 2) Unless otherwise specified by the Building Designer, one strongback every 10'-0".
- 3) The fabrication tolerance for this floor truss is 10 % (Cq = 0.90).
- 4) A creep factor of 2.00 has been applied for this truss analysis.
- 5) The "SYP" label shown in the "Material Summary" above indicates the new SPIB design values effective June 1, 2013 were used.



WARNING: Verify all design parameters and follow all notes on this drawing and in the Eagle Metal Design Notes. This design is for an individual building component (a truss), not a truss system, and is based only on parameters shown and provided by the Building Designer. The applicability of the design parameters must be verified by the Building Designer and should properly incorporate this design into the overall building design before use. Bracing shown is only to prevent buckling of individual truss web and/or chord members. Additional temporary and permanent bracing is always required to prevent collapse and provide stability. Design valid only when Eagle Metal connectors are used. A seal on this drawing indicates acceptance of professional engineering responsibility solely for the truss component design shown.

TrueBuild® Truss Software v5.8.14
Eagle Metal Products

1251687 0012/0033

Quality Line Truss Co., LLC

34593 S 4350 RD

Address 2

Adair, OK 74330

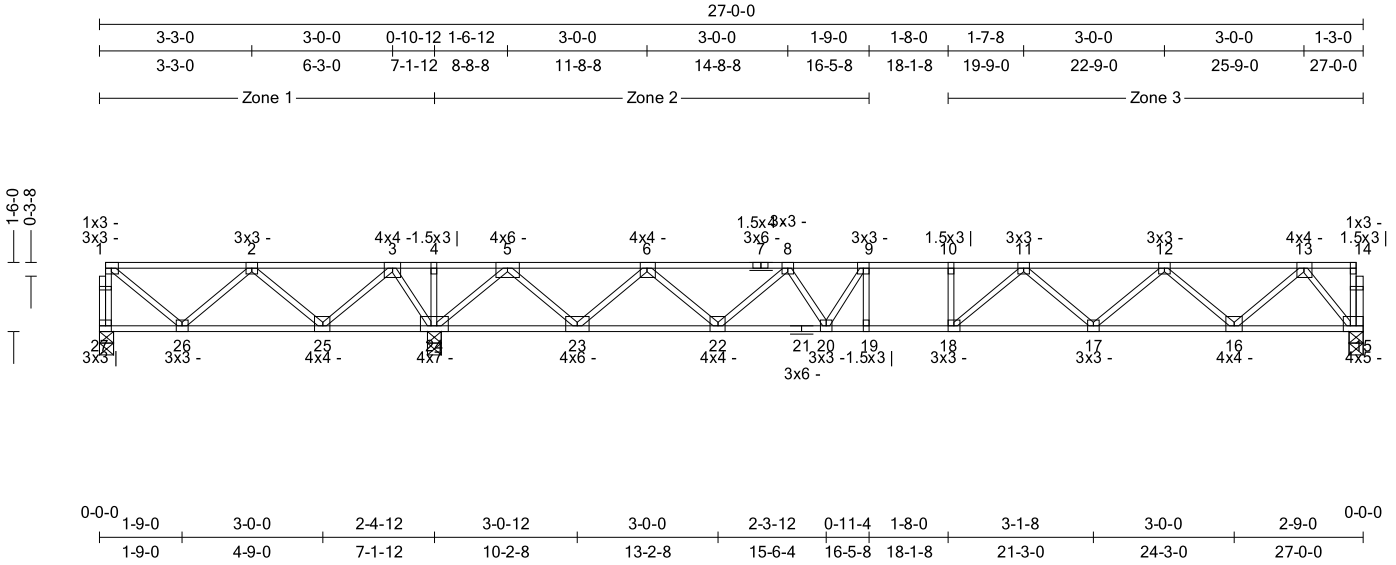
Truss:F09

Job: LOT 12_J BUILDING_REF FRAMING

Date: 11/12/25 10:42:32

Page: 1 of 2

SPAN 27-0-0	PITCH 0/12	QTY 1	OHL 0-0-0	OHR 0-0-0	PLY(S) 1	SPACING 9.5 in	WGT/PLY 138 lbs
----------------	---------------	----------	--------------	--------------	-------------	-------------------	--------------------



All plates shown to be Eagle 20 unless otherwise noted.

Loading (psf)	General	CSI	Deflection	L/	(loc)	Allowed
TCLL : 40	Bldg Code : IBC 2018/	TC : 0.50 (2-3)	Vert TL: 0.14 in	L / 999	(17-18)	L / 240
TCDL : 10	TPI 1-2014	BC : 0.23 (19-20)	Vert LL: 0.07 in	L / 999	(17-18)	L / 360
BCLL : 0	Rep Mbr : No	Web : 0.20 (5-24)	Horz TL: 0.02 in		15	
BCDL : 10	Lumber D.O.L. : 100 %					

11/12/2025

Reaction

JT	Brg Combo	Brg Width	Rqd Brg Width	Max React	Max Grav Uplift	Max MWFRS Uplift	Max C&C Uplift	Max Uplift	Max Horiz
24	1	3.5 in	1.50 in	2,033 lbs
27	1	3.5 in	1.50 in	221 lbs	-23 lbs	.	.	-23 lbs	.
15	1	3.5 in	1.50 in	506 lbs

Material

TC: SYP2400/1.8 4 x 2
 BC: SYP2400/1.8 4 x 2
 Web: SYP#1 4 x 2

Loads

1) Concurrent minimum storage attic loading has been applied in accordance with IBC 1607.1

Load Case D1: Std Dead Load

Distributed Loads

Member	Location 1	Location 2	Direction	Spread	Start Load	End Load	Trib Width
Top	0-0-0	14-0-0	Down	Proj	80 plf	80 plf	

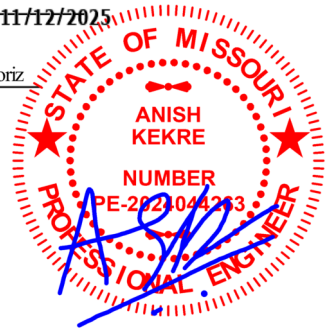
Member Forces

Table indicates: Member ID, max CSI, max tension force, (max compression force). Only forces greater than 300lbs are shown in this table.

TC	2-3	0.500	852 lbs	6-8	0.290	(-1,146 lbs)	10-11	0.142	(-1,616 lbs)
	3-4	0.396	2,042 lbs	8-9	0.146	(-1,535 lbs)	11-12	0.136	(-1,393 lbs)
	4-5	0.418	2,042 lbs	9-10	0.144	(-1,616 lbs)	12-13	0.091	(-792 lbs)
BC	15-16	0.060	373 lbs	18-19	0.228	1,616 lbs	22-23	0.100	784 lbs
	16-17	0.140	1,162 lbs	19-20	0.228	1,616 lbs	23-24	0.083	(-834 lbs)
	17-18	0.189	1,563 lbs	20-22	0.150	1,460 lbs	24-25	0.144	(-1,482 lbs)
Web	2-25	0.104	(-818 lbs)	6-22	0.082	492 lbs			
	3-25	0.152	876 lbs	8-22	0.052	(-425 lbs)			
	3-24	0.121	(-1,026 lbs)	12-17	0.052	314 lbs			
	5-24	0.202	(-1,610 lbs)	12-16	0.061	(-501 lbs)			
	5-23	0.193	1,131 lbs	13-16	0.094	569 lbs			
	6-23	0.133	(-1,063 lbs)	13-15	0.068	(-610 lbs)			

Notes

- 1) Unless noted otherwise, do not cut or alter any truss member or plate without prior approval from a Professional Engineer.
- 2) Unless otherwise specified by the Building Designer, one strongback every 10'-0".
- 3) The fabrication tolerance for this floor truss is 10 % (Cq = 0.90).
- 4) A creep factor of 2.00 has been applied for this truss analysis.
- 5) The "SYP" label shown in the "Material Summary" above indicates the new SPIB design values effective June 1, 2013 were used.



WARNING: Verify all design parameters and follow all notes on this drawing and in the Eagle Metal Design Notes. This design is for an individual building component (a truss), not a truss system, and is based only on parameters shown and provided by the Building Designer. The applicability of the design parameters must be verified by the Building Designer and should properly incorporate this design into the overall building design before use. Bracing shown is only to prevent buckling of individual truss web and/or chord members. Additional temporary and permanent bracing is always required to prevent collapse and provide stability. Design valid only when Eagle Metal connectors are used. A seal on this drawing indicates acceptance of professional engineering responsibility solely for the truss component design shown.

TrueBuild® Truss Software v5.8.14
Eagle Metal Products

Quality Line Truss Co., LLC

34593 S 4350 RD

Address 2

Adair, OK 74330

Truss:F09

Job: LOT 12_J BUILDING_REF FRAMING

Date: 11/12/25 10:42:33

Page: 2 of 2

SPAN
27-0-0

PITCH
0/12

QTY
1

OHL
0-0-0

OHR
0-0-0

PLY(S)
1

SPACING
9.5 in

WGT/PLY
138 lbs

6) Due to negative reactions in gravity load cases, special connections to the bearing surface at joint 27 may need to be considered.

WARNING: Verify all design parameters and follow all notes on this drawing and in the Eagle Metal Design Notes. This design is for an individual building component (a truss), not a truss system, and is based only on parameters shown and provided by the Building Designer. The applicability of the design parameters must be verified by the Building Designer and should properly incorporate this design into the overall building design before use. Bracing shown is only to prevent buckling of individual truss web and/or chord members. Additional temporary and permanent bracing is always required to prevent collapse and provide stability. Design valid only when Eagle Metal connectors are used. A seal on this drawing indicates acceptance of professional engineering responsibility solely for the truss component design shown.

TrueBuild® Truss Software v5.8.14
Eagle Metal Products

Quality Line Truss Co., LLC

34593 S 4350 RD

Address 2

Adair, OK 74330

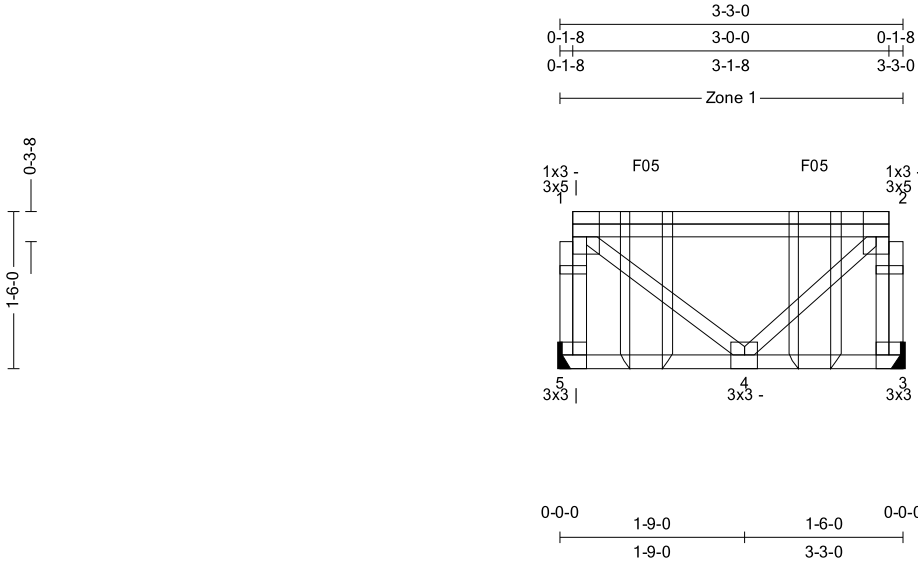
Truss:FG01

Job: LOT 12_J BUILDING_REF FRAMING

Date: 11/12/25 10:42:34

Page: 1 of 1

SPAN 3-3-0	PITCH 0/12	QTY 1	OHL 0-0-0	OHR 0-0-0	PLY(S) 1	SPACING 12 in	WGT/PLY 25 lbs
---------------	---------------	----------	--------------	--------------	-------------	------------------	-------------------



All plates shown to be Eagle 20 unless otherwise noted.

Loading (psf)	General	CSI	Deflection	L/	(loc)	Allowed
Carried Loads (psf)	Bldg Code: IBC 2018/	TC: 0.52 (1-2)	Vert TL: 0 in	L/999	(4-5)	L/240
TCLL: 40	TPI 1-2014	BC: 0.01 (4-5)	Vert LL: 0 in	L/999	(4-5)	L/360
TCDL: 10	Rep Mbr: No	Web: 0.09 (1-5)	Horz TL: 0 in		3	
BCLL: 0	Lumber D.O.L.: 100 %					
BCDL: 10						

11/12/2025

Reaction

JT	Brg Combo	Brg Width	Rqd Brg Width	Max React	Max Grav Uplift	Max MWFRS Uplift	Max C&C Uplift	Max Uplift	Max Horiz
5	1	1.5 in	—	755 lbs
3	1	1.5 in	—	748 lbs

Material

TC: SYP2400/1.8 4 x 2
 BC: SYP2400/1.8 4 x 2
 Web: SYP#1 4 x 2

Loads

1) Concurrent minimum storage attic loading has been applied in accordance with IBC 1607.1

Member Forces

Table indicates: Member ID, max CSI, max tension force, (max compression force). Only forces greater than 300lbs are shown in this table.

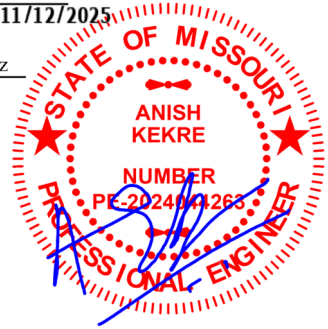
TC	BC	Web
		1-5 0.088 (-737 lbs) 2-3 0.087 (-733 lbs)

Truss to Truss Connection Summary

Carried Truss	Carrying Chord	Carrying Offset
F05	TC	0-9-13
F05	TC	2-5-0

Notes

- 1) Unless noted otherwise, do not cut or alter any truss member or plate without prior approval from a Professional Engineer.
- 2) The fabrication tolerance for this floor truss is 10 % (Cq = 0.90).
- 3) Hangers are for graphical interpretation only. Install hangers per manufacturer's recommendations.
- 4) A creep factor of 2.00 has been applied for this truss analysis.
- 5) The "SYP" label shown in the "Material Summary" above indicates the new SPIB design values effective June 1, 2013 were used.



WARNING: Verify all design parameters and follow all notes on this drawing and in the Eagle Metal Design Notes. This design is for an individual building component (a truss), not a truss system, and is based only on parameters shown and provided by the Building Designer. The applicability of the design parameters must be verified by the Building Designer and should properly incorporate this design into the overall building design before use. Bracing shown is only to prevent buckling of individual truss web and/or chord members. Additional temporary and permanent bracing is always required to prevent collapse and provide stability. Design valid only when Eagle Metal connectors are used. A seal on this drawing indicates acceptance of professional engineering responsibility solely for the truss component design shown.

TrueBuild® Truss Software v5.8.14
 Eagle Metal Products

Quality Line Truss Co., LLC

34593 S 4350 RD

Address 2

Adair, OK 74330

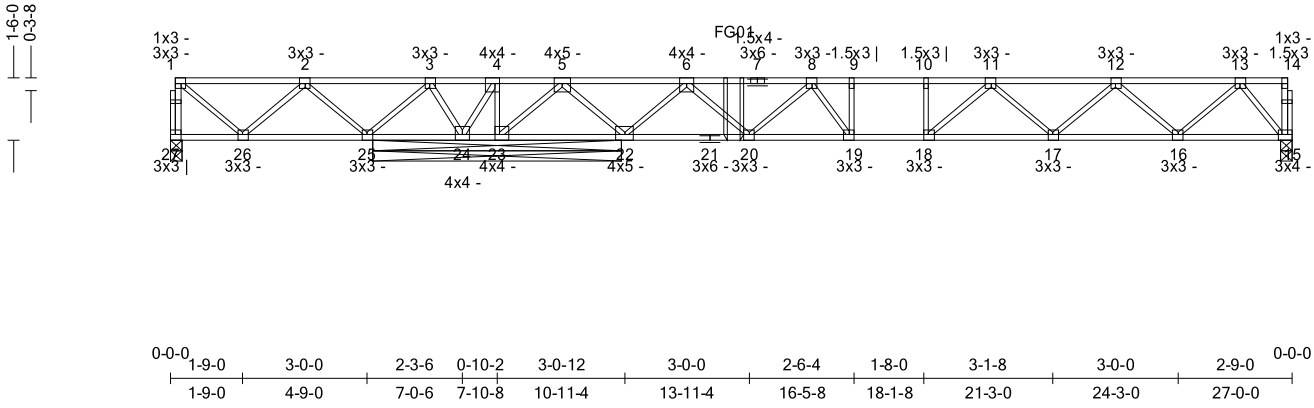
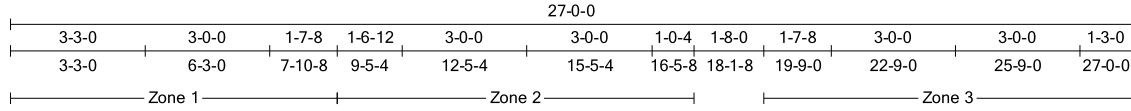
Truss:FG02

Job: LOT 12_J BUILDING_REF FRAMING

Date: 11/12/25 10:42:36

Page: 1 of 2

SPAN 27-0-0	PITCH 0/12	QTY 1	OHL 0-0-0	OHR 0-0-0	PLY(S) 2	SPACING 53.75 in	WGT/PLY 137 lbs
----------------	---------------	----------	--------------	--------------	-------------	---------------------	--------------------



All plates shown to be Eagle 20 unless otherwise noted.

Loading (psf)	General	CSI	Deflection	L/	(loc)	Allowed
Carried Loads (psf)	Bldg Code: IBC 2018/	TC: 0.68 (6-8)	Vert TL: 0.12 in	L/999	(18-19)	L/240
TCLL: 40	TPI 1-2014	BC: 0.18 (23-24)	Vert LL: 0.07 in	L/999	(18-19)	L/360
TCDL: 10	Rep Mbr: No	Web: 0.22 (5-22)	Horz TL: 0.01 in		15	
BCLL: 0	Lumber D.O.L.: 100 %					
BCDL: 10						

11/12/2025

Reaction

JT	Brg Combo	Brg Width	Rqd Brg Width	Max React	Max Grav Uplift	Max MWFRS Uplift	Max C&C Uplift	Max Uplift	Max Horiz
27	1	3.5 in	1.50 in	94 lbs	-361 lbs	.	.	-361 lbs	.
23	1	72 in	1.50 in	3,976 lbs
15	1	3.5 in	1.50 in	893 lbs

Material

TC: SYP2400/1.8 4 x 2
 BC: SYP2400/1.8 4 x 2
 Web: SYP#1 4 x 2

Loads

1) Concurrent minimum storage attic loading has been applied in accordance with IBC 1607.1

Load Case L1: Std Live Load

Distributed Loads

Member	Location 1	Location 2	Direction	Spread	Start Load	End Load	Trib Width
Top	0-0-0	5-2-0	Down	Proj	9.79 plf	9.79 plf	
Top	5-2-0	10-7-0	Down	Proj	150.1 plf	150.1 plf	
Top	10-7-0	13-6-12	Down	Proj	73.75 plf	73.75 plf	
Top	13-6-12	27-0-0	Down	Proj	22.19 plf	22.19 plf	
Top	0-0-0	27-0-0	Down	Proj	29.06 plf	29.06 plf	

Load Case D1: Std Dead Load

Distributed Loads

Member	Location 1	Location 2	Direction	Spread	Start Load	End Load	Trib Width
Top	0-0-0	5-2-0	Down	Proj	2.45 plf	2.45 plf	
Top	5-2-0	10-7-0	Down	Proj	37.53 plf	37.53 plf	
Top	10-7-0	13-6-12	Down	Proj	18.44 plf	18.44 plf	
Top	13-6-12	27-0-0	Down	Proj	5.55 plf	5.55 plf	
Top	0-0-0	27-0-0	Down	Proj	7.27 plf	7.27 plf	
Bot	0-0-0	5-2-0	Down	Proj	2.45 plf	2.45 plf	
Bot	5-2-0	10-7-0	Down	Proj	37.53 plf	37.53 plf	
Bot	10-7-0	13-6-12	Down	Proj	18.44 plf	18.44 plf	
Bot	13-6-12	27-0-0	Down	Proj	5.55 plf	5.55 plf	
Bot	0-0-0	27-0-0	Down	Proj	7.27 plf	7.27 plf	



WARNING: Verify all design parameters and follow all notes on this drawing and in the Eagle Metal Design Notes. This design is for an individual building component (a truss), not a truss system, and is based only on parameters shown and provided by the Building Designer. The applicability of the design parameters must be verified by the Building Designer and should properly incorporate this design into the overall building design before use. Bracing shown is only to prevent buckling of individual truss web and/or chord members. Additional temporary and permanent bracing is always required to prevent collapse and provide stability. Design valid only when Eagle Metal connectors are used. A seal on this drawing indicates acceptance of professional engineering responsibility solely for the truss component design shown.

TrueBuild® Truss Software v5.8.14
 Eagle Metal Products

Quality Line Truss Co., LLC

34593 S 4350 RD

Address 2

Adair, OK 74330

Truss:FG02

Job: LOT 12_J BUILDING_REF FRAMING

Date: 11/12/25 10:42:36

Page: 2 of 2

SPAN 27-0-0	PITCH 0/12	QTY 1	OHL 0-0-0	OHR 0-0-0	PLY(S) 2	SPACING 53.75 in	WGT/PLY 137 lbs
----------------	---------------	----------	--------------	--------------	-------------	---------------------	--------------------

Member Forces

Table indicates: Member ID, max CSI, max tension force, (max compression force). Only forces greater than 300lbs are shown in this table.

TC	2-3	0.218	836 lbs	6-8	0.683	(-1,330 lbs)	10-11	0.138	(-1,559 lbs)
	3-4	0.285	1,593 lbs	8-9	0.326	(-1,559 lbs)	11-12	0.124	(-1,274 lbs)
	4-5	0.282	1,982 lbs	9-10	0.139	(-1,559 lbs)	12-13	0.075	(-711 lbs)
BC	15-16	0.053	330 lbs	18-19	0.166	1,559 lbs	22-23	0.101	(-782 lbs)
	16-17	0.115	1,049 lbs	19-20	0.165	1,612 lbs	23-24	0.175	(-1,982 lbs)
	17-18	0.157	1,455 lbs	20-22	0.166	997 lbs	24-25	0.118	(-1,254 lbs)
Web	1-26	0.040	(-312 lbs)	4-23	0.089	(-808 lbs)	12-17	0.051	305 lbs
	2-26	0.058	335 lbs	5-23	0.196	(-1,597 lbs)	12-16	0.056	(-459 lbs)
	2-25	0.061	(-481 lbs)	5-22	0.217	1,283 lbs	13-16	0.085	516 lbs
	3-25	0.094	567 lbs	6-22	0.144	(-1,131 lbs)	13-15	0.061	(-540 lbs)
	3-24	0.079	(-688 lbs)	6-20	0.075	452 lbs			
	4-24	0.126	742 lbs	8-20	0.048	(-383 lbs)			

Truss to Truss Connection Summary

Carried Truss	Carrying Chord	Carrying Offset
FG01	TC	13-6-12

Notes

- 1) Unless noted otherwise, do not cut or alter any truss member or plate without prior approval from a Professional Engineer.
- 2) Unless otherwise specified by the Building Designer, one strongback every 10'-0".
- 3) The fabrication tolerance for this floor truss is 10% (Cq = 0.90).
- 4) A creep factor of 2.00 has been applied for this truss analysis.
- 5) The "SYP" label shown in the "Material Summary" above indicates the new SPIB design values effective June 1, 2013 were used.
- 6) Due to negative reactions in gravity load cases, special connections to the bearing surface at joint 27 may need to be considered.
- 7) The forces shown for this multi-ply truss are per ply and the reactions are for all plies. Two identical trusses shall be built and attached as follows: SDS Simpson 0.250"x6" Screws TC - 1 row @ 1-9-8 oc, BC - 1 row @ 2-0-0 oc, Webs - 1 @ 2-0-0 oc, minimum one fastener per web.

Provided the hanger connections do not adequately transfer the applied load to all plies: in addition to connectors shown above, attach girder plies with supplemental SDS Simpson 0.250"x6" Screws as follows within 24" of the location shown:

TC: 13-6-12,(2)Connectors

Connectors shall not encroach on other girder ply connectors or truss-to-truss connectors in accordance with the NDS or the connector manufacturer recommendations.

8) Screws shall be installed in the same truss ply that the hangers are attached to. If both plies are loaded, the screws shall be divided between the two plies, with the spacing on each side twice the minimum indicated.

9) Strongbacks shall be attached to each ply.

10) Center screw vertically on the 1-1/2" dimension of chords and webs. If splitting occurs, it may be necessary to pre-drill the holes in accordance with the NDS.

11) Install screws per manufacturer recommendations.

WARNING: Verify all design parameters and follow all notes on this drawing and in the Eagle Metal Design Notes. This design is for an individual building component (a truss), not a truss system, and is based only on parameters shown and provided by the Building Designer. The applicability of the design parameters must be verified by the Building Designer and should properly incorporate this design into the overall building design before use. Bracing shown is only to prevent buckling of individual truss web and/or chord members. Additional temporary and permanent bracing is always required to prevent collapse and provide stability. Design valid only when Eagle Metal connectors are used. A seal on this drawing indicates acceptance of professional engineering responsibility solely for the truss component design shown.

TrueBuild® Truss Software v5.8.14
Eagle Metal Products

Quality Line Truss Co., LLC

34593 S 4350 RD

Address 2

Adair, OK 74330

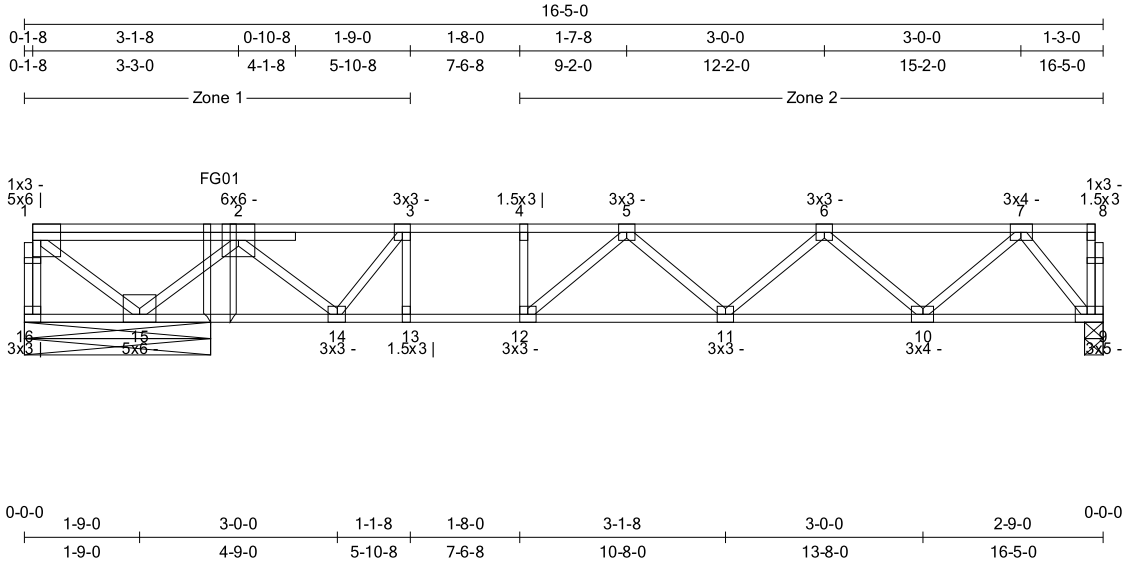
Truss:FG03

Job: LOT 12_J BUILDING_REF FRAMING

Date: 11/12/25 10:42:38

Page: 1 of 2

SPAN 16-5-0	PITCH 0/12	QTY 1	OHL 0-0-0	OHR 0-0-0	PLY(S) 1	SPACING 25.84 in	WGT/PLY 90 lbs
----------------	---------------	----------	--------------	--------------	-------------	---------------------	-------------------



All plates shown to be Eagle 20 unless otherwise noted.

Loading (psf)	General	CSI	Deflection	L/	(loc)	Allowed
Carried Loads (psf)	Bldg Code: IBC 2018/	TC: 0.29 (2-3)	Vert TL: 0.14 in	L/999	13	L/240
TCLL: 40	TPI 1-2014	BC: 0.35 (12-13)	Vert LL: 0.09 in	L/999	(13-14)	L/360
TCDL: 10	Rep Mbr: No	Web: 0.29 (1-15)	Horz TL: 0.03 in		9	
BCLL: 0	Lumber D.O.L.: 100 %					
BCDL: 10						

11/12/2025

Reaction

JT	Brg Combo	Brg Width	Rqd Brg Width	Max React	Max Grav Uplift	Max MWFRS Uplift	Max C&C Uplift	Max Uplift	Max Horiz
16	1	34 in	1.50 in	1,323 lbs					
9	1	3.5 in	1.50 in	609 lbs					

Material

TC: SYP2400/1.8 4 x 2
 BC: SYP2400/1.8 4 x 2
 Web: SYP#1 4 x 2

Loads

1) Concurrent minimum storage attic loading has been applied in accordance with IBC 1607.1

Load Case L1: Std Live Load

Distributed Loads

Member	Location 1	Location 2	Direction	Spread	Start Load	End Load	Trib Width
Top	0-0-0	16-5-0	Down	Proj	12.4 plf	12.4 plf	
Top	0-0-0	2-11-12	Down	Proj	73.75 plf	73.75 plf	
Top	2-11-12	16-5-0	Down	Proj	19.58 plf	19.58 plf	

Load Case D1: Std Dead Load

Distributed Loads

Member	Location 1	Location 2	Direction	Spread	Start Load	End Load	Trib Width
Top	0-0-0	16-5-0	Down	Proj	3.1 plf	3.1 plf	
Top	0-0-0	2-11-12	Down	Proj	18.44 plf	18.44 plf	
Top	2-11-12	16-5-0	Down	Proj	4.9 plf	4.9 plf	
Bot	0-0-0	16-5-0	Down	Proj	3.1 plf	3.1 plf	
Bot	0-0-0	2-11-12	Down	Proj	18.44 plf	18.44 plf	
Bot	2-11-12	16-5-0	Down	Proj	4.9 plf	4.9 plf	

Member Forces

Table indicates: Member ID, max CSI, max tension force, (max compression force). Only forces greater than 300lbs are shown in this table.

TC	1-2	0.223	(-1,280 lbs)	3-4	0.210	(-2,303 lbs)	5-6	0.176	(-1,794 lbs)
	2-3	0.287	(-2,383 lbs)	4-5	0.208	(-2,303 lbs)	6-7	0.099	(-985 lbs)
BC	9-10	0.074	453 lbs	11-12	0.278	2,084 lbs	13-14	0.348	2,303 lbs
	10-11	0.160	1,461 lbs	12-13	0.348	2,303 lbs	14-15	0.258	2,400 lbs
Web	1-16	0.145	(-1,291 lbs)	6-11	0.076	451 lbs			
	1-15	0.293	1,671 lbs	6-10	0.080	(-646 lbs)			
	2-15	0.190	(-1,489 lbs)	7-10	0.121	722 lbs			
	5-11	0.051	(-394 lbs)	7-9	0.084	(-740 lbs)			



WARNING: Verify all design parameters and follow all notes on this drawing and in the Eagle Metal Design Notes. This design is for an individual building component (a truss), not a truss system, and is based only on parameters shown and provided by the Building Designer. The applicability of the design parameters must be verified by the Building Designer and should properly incorporate this design into the overall building design before use. Bracing shown is only to prevent buckling of individual truss web and/or chord members. Additional temporary and permanent bracing is always required to prevent collapse and provide stability. Design valid only when Eagle Metal connectors are used. A seal on this drawing indicates acceptance of professional engineering responsibility solely for the truss component design shown.

TrueBuild® Truss Software v5.8.14
Eagle Metal Products

1251687 0018/0033

Quality Line Truss Co., LLC

34593 S 4350 RD

Address 2

Adair, OK 74330

Truss:FG03

Job: LOT 12_J BUILDING_REF FRAMING

Date: 11/12/25 10:42:38

Page: 2 of 2

SPAN 16-5-0	PITCH 0/12	QTY 1	OHL 0-0-0	OHR 0-0-0	PLY(S) 1	SPACING 25.84 in	WGT/PLY 90 lbs
----------------	---------------	----------	--------------	--------------	-------------	---------------------	-------------------

Truss to Truss Connection Summary

Carried Truss	Carrying Chord	Carrying Offset
FG01	TC	2-11-12

Notes

- 1) Unless noted otherwise, do not cut or alter any truss member or plate without prior approval from a Professional Engineer.
- 2) Unless otherwise specified by the Building Designer, one strongback every 10'-0".
- 3) The fabrication tolerance for this floor truss is 10 % (Cq = 0.90).
- 4) A creep factor of 2.00 has been applied for this truss analysis.
- 5) The "SYP" label shown in the "Material Summary" above indicates the new SPIB design values effective June 1, 2013 were used.

WARNING: Verify all design parameters and follow all notes on this drawing and in the Eagle Metal Design Notes. This design is for an individual building component (a truss), not a truss system, and is based only on parameters shown and provided by the Building Designer. The applicability of the design parameters must be verified by the Building Designer and should properly incorporate this design into the overall building design before use. Bracing shown is only to prevent buckling of individual truss web and/or chord members. Additional temporary and permanent bracing is always required to prevent collapse and provide stability. Design valid only when Eagle Metal connectors are used. A seal on this drawing indicates acceptance of professional engineering responsibility solely for the truss component design shown.

TrueBuild® Truss Software v5.8.14
Eagle Metal Products

Quality Line Truss Co., LLC

34593 S 4350 RD

Address 2

Adair, OK 74330

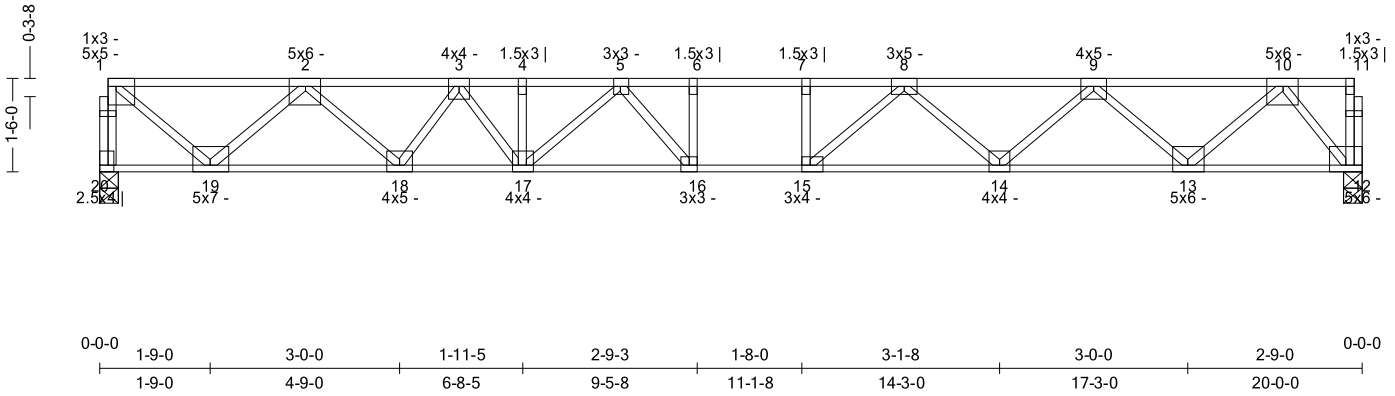
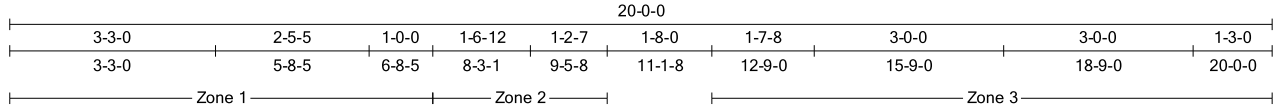
Truss:FG04

Job: LOT 12_J BUILDING_REF FRAMING

Date: 11/12/25 10:42:40

Page: 1 of 2

SPAN 20-0-0	PITCH 0/12	QTY 1	OHL 0-0-0	OHR 0-0-0	PLY(S) 2	SPACING 17.38 in	WGT/PLY 106 lbs
----------------	---------------	----------	--------------	--------------	-------------	---------------------	--------------------



All plates shown to be Eagle 20 unless otherwise noted.

Loading (psf)	General	CSI	Deflection	L/	(loc)	Allowed
TCLL : 40	Bldg Code : IBC 2018/	TC : 0.44 (6-7)	Vert TL: 0.4 in	L/587	(16-17)	L/240
TCDL : 10	TPI 1-2014	BC : 0.57 (15-16)	Vert LL: 0.09 in	L/999	(16-17)	L/360
BCLL : 0	Rep Mbr : No	Web : 0.32 (1-19)	Horz TL: 0.08 in		12	
BCDL : 10	Lumber D.O.L. : 100 %					

Reaction

JT	Brg Combo	Brg Width	Rqd Brg Width	Max React	Max Grav Uplift	Max MWFRS Uplift	Max C&C Uplift	Max Uplift	Max Horiz
20	1	3.5 in	1.50 in	2,643 lbs					
12	1	3.5 in	1.50 in	2,628 lbs					

11/12/2025

Material

TC: SYP2400/1.8 4 x 2
BC: SYP2400/1.8 4 x 2
Web: SYP#1 4 x 2

Loads

1) Concurrent minimum storage attic loading has been applied in accordance with IBC 1607.1

Load Case D1: Std Dead Load

Distributed Loads

Member	Location 1	Location 2	Direction	Spread	Start Load	End Load	Trib Width
Bot	0-0-0	20-0-0	Down	Proj	80 plf	80 plf	
Top	0-0-0	20-0-0	Down	Proj	80 plf	80 plf	

Point Loads

Member	Location	Direction	Load	Trib Width
Top	6-8-5	Down	43 lbs	

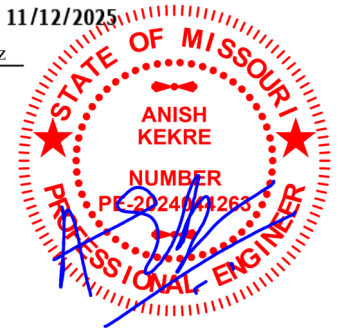
Member Forces

Table indicates: Member ID, max CSI, max tension force, (max compression force). Only forces greater than 300lbs are shown in this table.

TC	1-2	0.248	(-1,348 lbs)	4-5	0.391	(-4,170 lbs)	7-8	0.434	(-4,632 lbs)
	2-3	0.328	(-3,337 lbs)	5-6	0.428	(-4,632 lbs)	8-9	0.389	(-3,766 lbs)
	3-4	0.384	(-4,170 lbs)	6-7	0.438	(-4,632 lbs)	9-10	0.218	(-2,106 lbs)
BC	12-13	0.203	958 lbs	14-15	0.530	4,282 lbs	16-17	0.545	4,501 lbs
	13-14	0.400	3,072 lbs	15-16	0.571	4,632 lbs	17-18	0.422	3,782 lbs
Web	1-20	0.148	(-1,288 lbs)	3-17	0.118	659 lbs	9-14	0.168	942 lbs
	1-19	0.322	1,795 lbs	5-17	0.059	(-440 lbs)	9-13	0.169	(-1,310 lbs)
	2-19	0.198	(-1,539 lbs)	5-16	0.061	318 lbs	10-13	0.279	1,557 lbs
	2-18	0.207	1,159 lbs	8-15	0.104	544 lbs	10-12	0.188	(-1,567 lbs)
	3-18	0.095	(-788 lbs)	8-14	0.091	(-701 lbs)			

Notes

- 1) Unless noted otherwise, do not cut or alter any truss member or plate without prior approval from a Professional Engineer.
- 2) Unless otherwise specified by the Building Designer, one strongback every 10'-0".
- 3) The fabrication tolerance for this floor truss is 10 % (Cq = 0.90).



WARNING: Verify all design parameters and follow all notes on this drawing and in the Eagle Metal Design Notes.

This design is for an individual building component (a truss), not a truss system, and is based only on parameters shown and provided by the Building Designer. The applicability of the design parameters must be verified by the Building Designer and should properly incorporate this design into the overall building design before use. Bracing shown is only to prevent buckling of individual truss web and/or chord members. Additional temporary and permanent bracing is always required to prevent collapse and provide stability. Design valid only when Eagle Metal connectors are used. A seal on this drawing indicates acceptance of professional engineering responsibility solely for the truss component design shown.

TrueBuild® Truss Software v5.8.14
Eagle Metal Products

1251687 0020/0033

Quality Line Truss Co., LLC

34593 S 4350 RD

Address 2

Adair, OK 74330

Truss:FG04

Job: LOT 12_J BUILDING_REF FRAMING

Date: 11/12/25 10:42:40

Page: 2 of 2

SPAN	PITCH	QTY	OHL	OHR	PLY(S)	SPACING	WGT/PLY
20-0-0	0/12	1	0-0-0	0-0-0	2	17.38 in	106 lbs

4) A creep factor of 2.00 has been applied for this truss analysis.

5) The "SYP" label shown in the "Material Summary" above indicates the new SPIB design values effective June 1, 2013 were used.

6) The forces shown for this multi-ply truss are per ply and the reactions are for all plies. Two identical trusses shall be built and attached as follows: SDS Simpson 0.250"x6" Screws TC - 1 row @ 2-0-0 oc, BC - 1 row @ 2-0-0 oc, Webs - 1 @ 2-0-0 oc, minimum one fastener per web.

Provided the hanger connections do not adequately transfer the applied load to all plies: in addition to connectors shown above, attach girder plies with supplemental SDS Simpson 0.250"x6" Screws as follows within 24" of the location shown:

TC: 6-8-5,(1)Connectors

Connectors shall not encroach on other girder ply connectors or truss-to-truss connectors in accordance with the NDS or the connector manufacturer recommendations.

7) Screws shall be installed in the same truss ply that the hangers are attached to. If both plies are loaded, the screws shall be divided between the two plies, with the spacing on each side twice the minimum indicated.

8) Strongbacks shall be attached to each ply.

9) Center screw vertically on the 1-1/2" dimension of chords and webs. If splitting occurs, it may be necessary to pre-drill the holes in accordance with the NDS.

10) Install screws per manufacturer recommendations.

WARNING: Verify all design parameters and follow all notes on this drawing and in the Eagle Metal Design Notes.

This design is for an individual building component (a truss), not a truss system, and is based only on parameters shown and provided by the Building Designer. The applicability of the design parameters must be verified by the Building Designer and should properly incorporate this design into the overall building design before use. Bracing shown is only to prevent buckling of individual truss web and/or chord members. Additional temporary and permanent bracing is always required to prevent collapse and provide stability. Design valid only when Eagle Metal connectors are used. A seal on this drawing indicates acceptance of professional engineering responsibility solely for the truss component design shown.

TrueBuild® Truss Software v5.8.14
Eagle Metal Products

Quality Line Truss Co., LLC

34593 S 4350 RD

Address 2

Adair, OK 74330

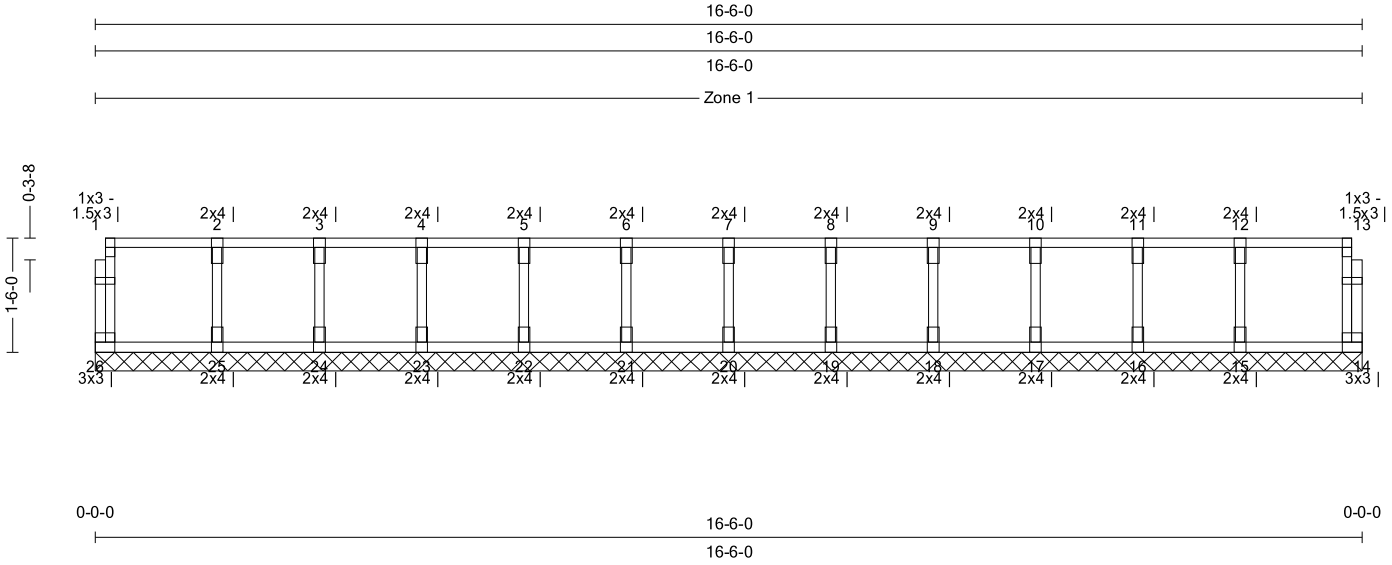
Truss:FL01

Job: LOT 12_J BUILDING_REF FRAMING

Date: 11/12/25 10:42:41

Page: 1 of 1

SPAN 16-6-0	PITCH 0/12	QTY 1	OHL 0-0-0	OHR 0-0-0	PLY(S) 1	SPACING 19.19 in	WGT/PLY 75 lbs
----------------	---------------	----------	--------------	--------------	-------------	---------------------	-------------------



All plates shown to be Eagle 20 unless otherwise noted.

Loading (psf)	General	CSI	Deflection	L/	(loc)	Allowed
TCLL : 40	Bldg Code : IBC 2018/	TC: 0.13 (12-13)	Vert TL: 0 in UP	L / 999	14	L / 240
TCDL : 10	TPI 1-2014	BC: 0.02 (15-16)	Vert LL: 0 in	L / 999	14	L / 360
BCLL : 0	Rep Mbr: No	Web: 0.07 (1-26)	Horz TL: 0 in			
BCDL : 10	Lumber D.O.L. : 100 %					

11/12/2025

Reaction

Brg Combo	Brg Width	Max React	Ave React	Max Grav Uplift	Max MWFRS Uplift	Max C&C Uplift	Max Uplift	Max Horiz
1		272 lbs	181 plf					-9 lbs

Material

TC: SYP#1 4 x 2
 BC: SYP#1 4 x 2
 Web: SYP#1 4 x 2

Load Case D1: Std Dead Load

Distributed Loads

Member	Location 1	Location 2	Direction	Spread	Start Load	End Load	Trib Width
Top	0-0-0	16-6-0	Down	Proj	80 plf	80 plf	

Member Forces

Table indicates: Member ID, max CSI, max tension force, (max compression force). Only forces greater than 300lbs are shown in this table.

TC	BC	Web

Notes

- 1) Unless noted otherwise, do not cut or alter any truss member or plate without prior approval from a Professional Engineer.
- 2) Unless otherwise specified by the Building Designer, one strongback every 10'-0".
- 3) Gable requires continuous bottom chord bearing.
- 4) Continuous bearing knee-wall/ladder floor trusses are not designed for any loads from levels above. Additional bracing, by others, may be required in order to transfer loads.
- 5) Gable webs placed at 16" OC, U.N.O.
- 6) Attach gable webs with 2x4 20ga plates, U.N.O.
- 7) Bracing shown is for in-plane requirements. For out-of-plane requirements, refer to BCSI-B3 published by the SBCA.
- 8) The fabrication tolerance for this floor truss is 10% (Cq = 0.90).
- 9) A creep factor of 2.00 has been applied for this truss analysis.
- 10) The "SYP" label shown in the "Material Summary" above indicates the new SPIB design values effective June 1, 2013 were used.



WARNING: Verify all design parameters and follow all notes on this drawing and in the Eagle Metal Design Notes. This design is for an individual building component (a truss), not a truss system, and is based only on parameters shown and provided by the Building Designer. The applicability of the design parameters must be verified by the Building Designer and should properly incorporate this design into the overall building design before use. Bracing shown is only to prevent buckling of individual truss web and/or chord members. Additional temporary and permanent bracing is always required to prevent collapse and provide stability. Design valid only when Eagle Metal connectors are used. A seal on this drawing indicates acceptance of professional engineering responsibility solely for the truss component design shown.

TrueBuild® Truss Software v5.8.14
 Eagle Metal Products

Quality Line Truss Co., LLC

34593 S 4350 RD

Address 2

Adair, OK 74330

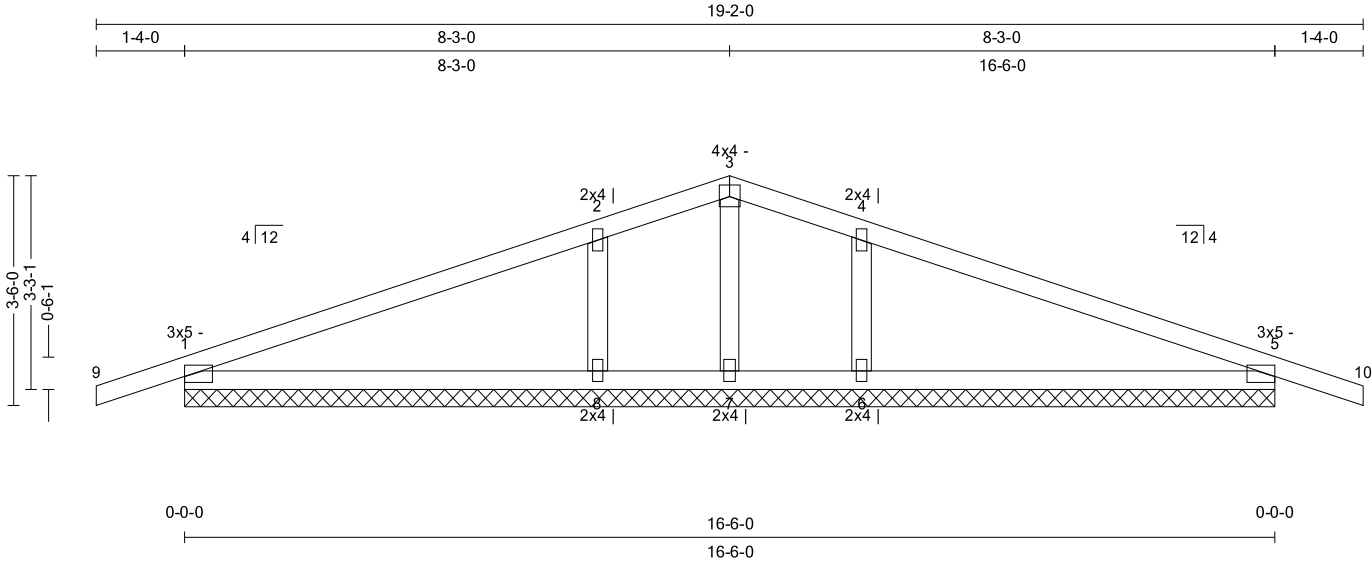
Truss:GE01

Job: LOT 12_J BUILDING_REF FRAMING

Date: 11/12/25 10:42:42

Page: 1 of 1

SPAN 16-6-0	PITCH 4/12	QTY 1	OHL 1-4-0	OHR 1-4-0	CANT L 0-0-0	CANT R 0-0-0	PLY(S) 1	SPACING 24 in	WGT/PLY 61 lbs
----------------	---------------	----------	--------------	--------------	-----------------	-----------------	-------------	------------------	-------------------



All plates shown to be Eagle 20 unless otherwise noted.

Loading (psf)	General	CSI	Deflection	L/	(loc)	Allowed
TCLL : 20	Bldg Code : IBC 2018/	TC : 0.38 (4-5)	Vert TL: 0.02 in	L / 999	(5-6)	L / 240
TCDL : 10	Rep Mbr : No	BC : 0.14 (5-6)	Vert LL: 0 in	L / 999	5	L / 360
BCLL : 0	Lumber D.O.L. : 115 %	Web : 0.05 (4-6)	Horz TL: 0 in			
BCDL : 10						

11/12/2025

Reaction

Brg Combo	Brg Width	Max React	Ave React	Max Grav Uplift	Max MWFRS Uplift	Max C&C Uplift	Max Uplift	Max Horiz
1		1,221 lbs	240 plf	-889 lbs	-134 lbs	-453 lbs	-889 lbs	689 lbs

Material

TC: SYP#1 2 x 4
BC: SYP#1 2 x 4
Web: SYP#2 2 x 4

Bracing

TC: Sheathed or Purlins at 6-3-0, Purlin design by Others.
BC: Sheathed or Purlins at 10-0-0, Purlin design by Others.



Loads

- This truss has been designed for the effects of balanced (14 psf) and unbalanced sloped roof snow loads in accordance with ASCE7 - 16 with the following user defined input: 20 psf GSL, Terrain C, Exposure (Ce=1.0), Thermal (Ct=1.00), DOL = 1.15. If the roof configuration differs from hip/gable, Building Designer shall verify snow loads.
- This truss has been designed to account for the effects of ice dams forming at the eaves.
- This truss has been designed for the effects of wind loads in accordance with ASCE7 - 16 with the following user defined input: 115 mph (Factored), Exposure C, Enclosed, Gable/Hip, Risk Category II, Overall Bldg Dims 25 ft x 60 ft, h = 15 ft, End Zone Truss, Both end webs considered. DOL = 1.60

Member Forces

Table indicates: Member ID, max CSI, max tension force, (max compression force). Only forces greater than 300lbs are shown in this table.

Member	ID	CSI	Tension (lbs)	Compression (lbs)
TC	1-2	0.375	1,051	(422)
	4-5	0.375	1,051	(422)
BC	2-8	0.050	(355)	
	4-6	0.050		(355)

Notes

- Unless noted otherwise, do not cut or alter any truss member or plate without prior approval from a Professional Engineer.
- Gable requires continuous bottom chord bearing.
- Gable webs placed at 24" OC, U.N.O.
- Attach gable webs with 2x4 20g a plates, U.N.O.
- Bracing shown is for in-plane requirements. For out-of-plane requirements, refer to BCSI-B3 published by the SBCA.
- The fabrication tolerance for this roof truss is 20 % (Cq = 0.80).
- A creep factor of 2.00 has been applied for this truss analysis.
- The "SYP" label shown in the "Material Summary" above indicates the new SPIB design values effective June 1, 2013 were used.
- Due to negative reactions in gravity load cases, special connections to the bearing surface at joints 7, 5, 1 may need to be considered.
- Listed wind uplift reactions based on MWFRS & C&C loading.

WARNING: Verify all design parameters and follow all notes on this drawing and in the Eagle Metal Design Notes. This design is for an individual building component (a truss), not a truss system, and is based only on parameters shown and provided by the Building Designer. The applicability of the design parameters must be verified by the Building Designer and should properly incorporate this design into the overall building design before use. Bracing shown is only to prevent buckling of individual truss web and/or chord members. Additional temporary and permanent bracing is always required to prevent collapse and provide stability. Design valid only when Eagle Metal connectors are used. A seal on this drawing indicates acceptance of professional engineering responsibility solely for the truss component design shown.

TrueBuild® Truss Software v5.8.14
Eagle Metal Products

Quality Line Truss Co., LLC

34593 S 4350 RD

Address 2

Adair, OK 74330

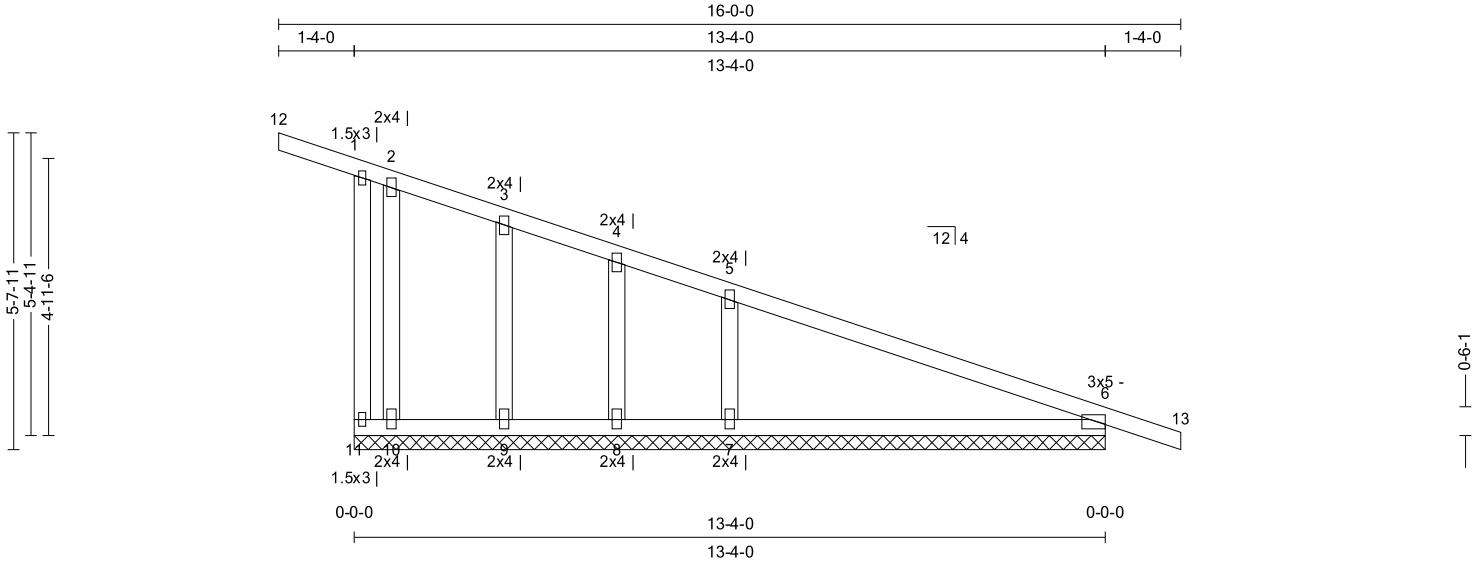
Truss:GE02

Job: LOT 12_J BUILDING_REF FRAMING

Date: 11/12/25 10:42:44

Page: 1 of 1

SPAN 13-4-0	PITCH -4/12	QTY 1	OHL 1-4-0	OHR 1-4-0	CANT L 0-0-0	CANT R 0-0-0	PLY(S) 1	SPACING 24 in	WGT/PLY 67 lbs
----------------	----------------	----------	--------------	--------------	-----------------	-----------------	-------------	------------------	-------------------



All plates shown to be Eagle 20 unless otherwise noted.

Loading (psf)	General	CSI	Deflection	L/	(loc)	Allowed
TCLL : 20	Bldg Code : IBC 2018/	TC : 0.52 (5-6)	Vert TL: 0.03 in	L / 999	(6-7)	L / 240
TCDL : 10	TPI 1-2014	BC : 0.16 (6-7)	Vert LL: 0 in UP	L / 999	(6-7)	L / 360
BCLL : 0	Rep Mbr : No	Web : 0.23 (1-11)	Horz TL: 0 in			
BCDL : 10	Lumber D.O.L. : 115 %					

11/12/2025

Reaction

Brg Combo	Brg Width	Max React	Ave React	Max Grav Uplift	Max MWFRS Uplift	Max C&C Uplift	Max Uplift	Max Horiz
1		1,654 lbs	246 plf	-1,283 lbs	-250 lbs	-788 lbs	-1,283 lbs	893 lbs

Material

TC: SYP#1 2 x 4
BC: SYP#1 2 x 4
Web: SYP#2 2 x 4

Bracing

TC: Sheathed or Purlins at 6-3-0, Purlin design by Others.
BC: Sheathed or Purlins at 10-0-0, Purlin design by Others.

Loads

- 1) This truss has been designed for the effects of balanced (14 psf) and unbalanced sloped roof snow loads in accordance with ASCE7 - 16 with the following user defined input: 20 psf GSL, Terrain C, Exposure (Ce=1.0), Thermal (Ct=1.00), DOL = 1.15. If the roof configuration differs from hip/gable, Building Designer shall verify snow loads.
- 2) This truss has been designed to account for the effects of ice dams forming at the eaves.
- 3) This truss has been designed for the effects of wind loads in accordance with ASCE7 - 16 with the following user defined input: 115 mph (Factored), Exposure C, Enclosed, Gable/Hip, Risk Category II, Overall Bldg Dims 25 ft x 60 ft, h = 15 ft, End Zone Truss, Both end webs considered. DOL = 1.60

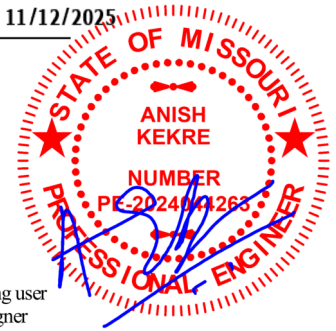
Member Forces

Table indicates: Member ID, max CSI, max tension force, (max compression force). Only forces greater than 300lbs are shown in this table.

Member	Member ID	max CSI	max tension force	max compression force
TC	5-6	0.516	1,466 lbs	(-794 lbs)
	5-7	0.053		(-347 lbs)
BC	1-11	0.230	303 lbs	
	5-7	0.053		(-347 lbs)

Notes

- 1) Unless noted otherwise, do not cut or alter any truss member or plate without prior approval from a Professional Engineer.
- 2) Gable requires continuous bottom chord bearing.
- 3) Gable webs placed at 24" OC, U.N.O.
- 4) Attach gable webs with 2x4 20ga plates, U.N.O.
- 5) Bracing shown is for in-plane requirements. For out-of-plane requirements, refer to BCSI-B3 published by the SBCA.
- 6) The fabrication tolerance for this roof truss is 20% (Cq = 0.80).
- 7) A creep factor of 2.00 has been applied for this truss analysis.
- 8) The "SYP" label shown in the "Material Summary" above indicates the new SPIB design values effective June 1, 2013 were used.
- 9) Due to negative reactions in gravity load cases, special connections to the bearing surface at joints 8, 10, 6 may need to be considered.
- 10) Listed wind uplift reactions based on MWFRS & C&C loading.



WARNING: Verify all design parameters and follow all notes on this drawing and in the Eagle Metal Design Notes. This design is for an individual building component (a truss), not a truss system, and is based only on parameters shown and provided by the Building Designer. The applicability of the design parameters must be verified by the Building Designer and should properly incorporate this design into the overall building design before use. Bracing shown is only to prevent buckling of individual truss web and/or chord members. Additional temporary and permanent bracing is always required to prevent collapse and provide stability. Design valid only when Eagle Metal connectors are used. A seal on this drawing indicates acceptance of professional engineering responsibility solely for the truss component design shown.

TrueBuild® Truss Software v5.8.14
Eagle Metal Products

Quality Line Truss Co., LLC

34593 S 4350 RD

Address 2

Adair, OK 74330

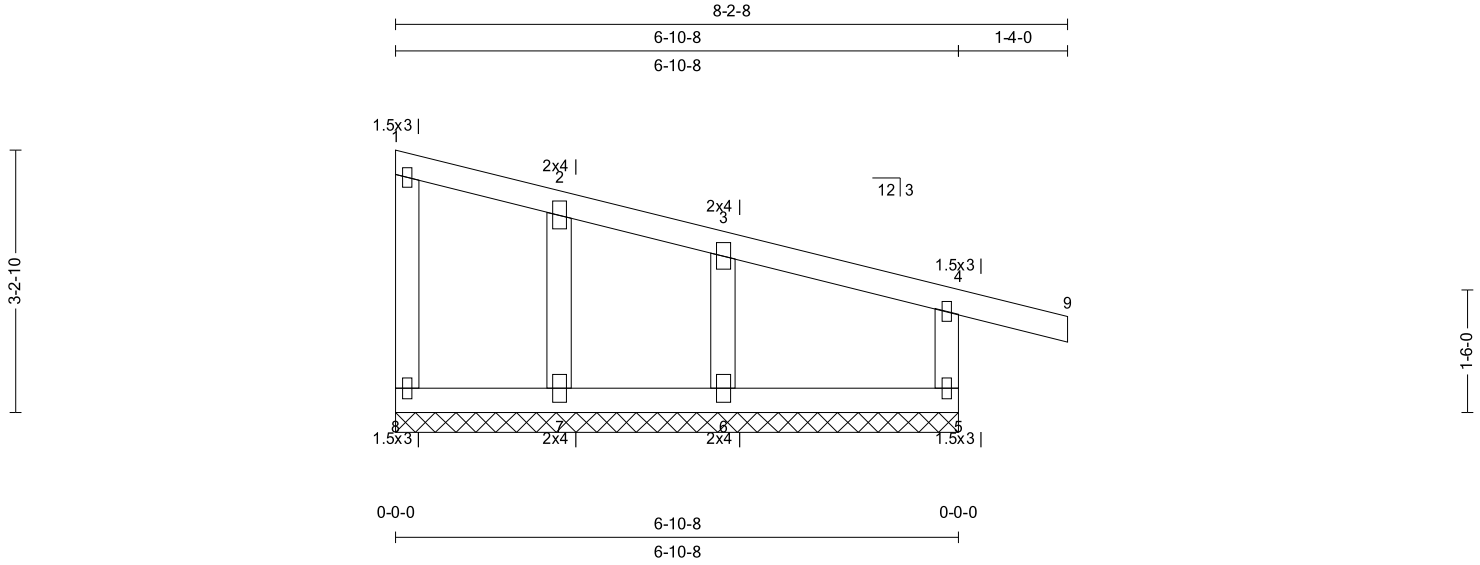
Truss:GE03

Job: LOT 12_J BUILDING_REF FRAMING

Date: 11/12/25 10:42:45

Page: 1 of 1

SPAN 6-10-8	PITCH -3/12	QTY 2	OHL 0-0-0	OHR 1-4-0	CANT L 0-0-0	CANT R 0-0-0	PLY(S) 1	SPACING 24 in	WGT/PLY 32 lbs
----------------	----------------	----------	--------------	--------------	-----------------	-----------------	-------------	------------------	-------------------



All plates shown to be Eagle 20 unless otherwise noted.

Loading (psf)	General	CSI	Deflection	L/	(loc)	Allowed
TCLL : 20	Bldg Code : IBC 2018/	TC : 0.25 (4-9)	Vert TL: 0 in	L / 999	(5-6)	L / 240
TCDL : 10	TPI 1-2014	BC : 0.04 (6-7)	Vert LL: 0 in	L / 999	5	L / 360
BCLL : 0	Rep Mbr : No	Web : 0.42 (4-5)	Horz TL: 0 in			
BCDL : 10	Lumber D.O.L. : 115 %					

Reaction

Brg Combo	Brg Width	Max React	Ave React	Max Grav Uplift	Max MWFRS Uplift	Max C&C Uplift	Max Uplift	Max Horiz
1		230 lbs	95 plf		-54 lbs	-228 lbs	-228 lbs	-172 lbs

Material

TC: SYP#1 2 x 4
BC: SYP#1 2 x 4
Web: SYP#2 2 x 4

Bracing

TC: Sheathed or Purlins at 6-3-0, Purlin design by Others.
BC: Sheathed or Purlins at 10-0-0, Purlin design by Others.

Loads

- This truss has been designed for the effects of balanced (20 psf) sloped roof snow loads in accordance with ASCE7 - 16 with the following user defined input: 20 psf GSL, Terrain C, Exposure (Ce = 1.0), Thermal (Ct = 1.00), DOL = 1.15. If the roof configuration differs from hip/gable, Building Designer shall verify snow loads.
- This truss has not been designed for the effects of unbalanced snow loads.
- This truss has been designed to account for the effects of ice dams forming at the eaves.
- This truss has been designed for the effects of wind loads in accordance with ASCE7 - 16 with the following user defined input: 115 mph (Factored), Exposure C, Enclosed, Gable/Hip, Risk Category II, Overall Bldg Dims 25 ft x 60 ft, h = 15 ft, End Zone Truss, Both end webs considered. DOL = 1.60

Member Forces

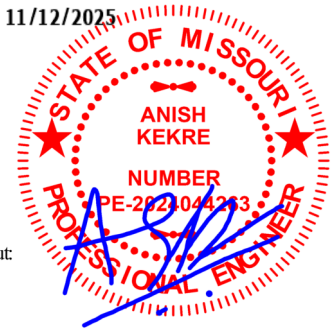
Table indicates: Member ID, max CSI, max tension force, (max compression force). Only forces greater than 300lbs are shown in this table.

TC	BC	Web

Notes

- Unless noted otherwise, do not cut or alter any truss member or plate without prior approval from a Professional Engineer.
- Gable requires continuous bottom chord bearing.
- Gable webs placed at 24" OC, U.N.O.
- Attach gable webs with 1.5x3 20 ga plates, U.N.O.
- Bracing shown is for in-plane requirements. For out-of-plane requirements, refer to BCSI-B3 published by the SBICA.
- The fabrication tolerance for this roof truss is 20% (Cq = 0.80).
- A creep factor of 2.00 has been applied for this truss analysis.
- The "SYP" label shown in the "Material Summary" above indicates the new SPIB design values effective June 1, 2013 were used.
- Listed wind uplift reactions based on MWFRS & C&C loading.

11/12/2025



WARNING: Verify all design parameters and follow all notes on this drawing and in the Eagle Metal Design Notes. This design is for an individual building component (a truss), not a truss system, and is based only on parameters shown and provided by the Building Designer. The applicability of the design parameters must be verified by the Building Designer and should properly incorporate this design into the overall building design before use. Bracing shown is only to prevent buckling of individual truss web and/or chord members. Additional temporary and permanent bracing is always required to prevent collapse and provide stability. Design valid only when Eagle Metal connectors are used. A seal on this drawing indicates acceptance of professional engineering responsibility solely for the truss component design shown.

TrueBuild® Truss Software v5.8.14
Eagle Metal Products

Quality Line Truss Co., LLC

34593 S 4350 RD

Address 2

Adair, OK 74330

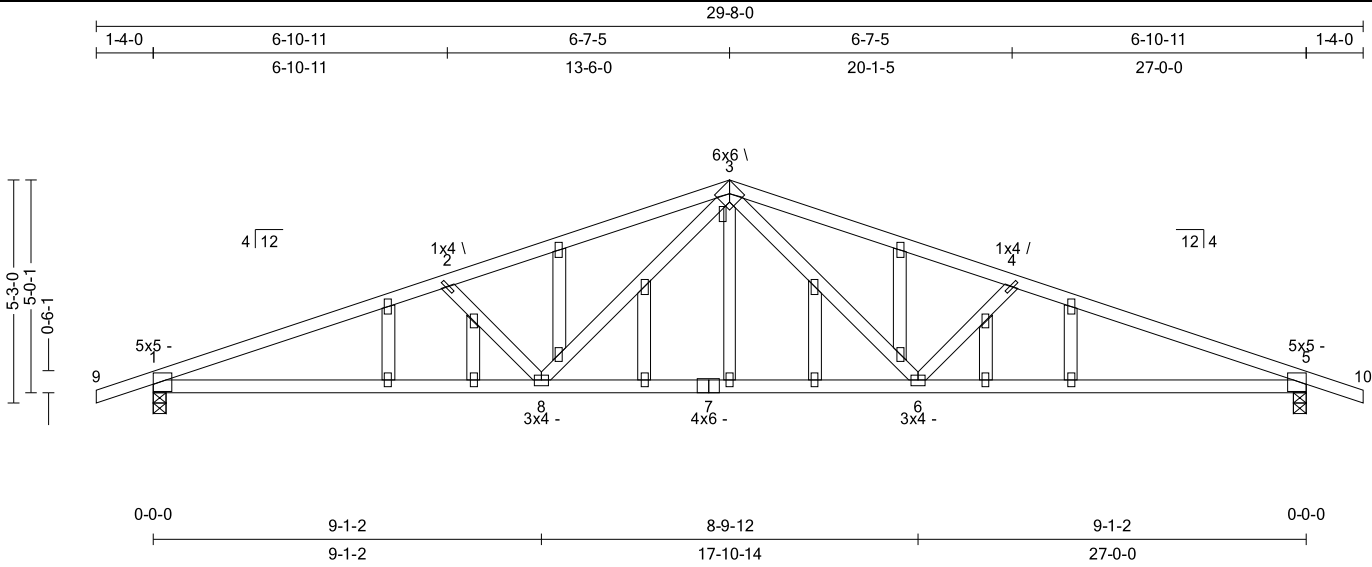
Truss:SGE01

Job: LOT 12_J BUILDING_REF FRAMING

Date: 11/12/25 10:42:46

Page: 1 of 1

SPAN 27-0-0	PITCH 4/12	QTY 1	OHL 1-4-0	OHR 1-4-0	CANT L 0-0-0	CANT R 0-0-0	PLY(S) 1	SPACING 24 in	WGT/PLY 140 lbs
----------------	---------------	----------	--------------	--------------	-----------------	-----------------	-------------	------------------	--------------------



All plates shown to be Eagle 20 unless otherwise noted.

Loading (psf)	General	CSI	Deflection	L/	(loc)	Allowed
TCLL : 20	Bldg Code : IBC 2018/	TC : 0.62 (2-3)	Vert TL: 0.48 in	L / 654	(6-7)	L / 240
TCDL : 10	TPI 1-2014	BC : 1.00 (8-1)	Vert LL: 0.16 in	L / 999	7	L / 360
BCLL : 0	Rep Mbr : No	Web : 0.14 (3-8)	Horz TL: 0.1 in		5	
BCDL : 10	Lumber D.O.L. : 115 %					

11/12/2025

Reaction

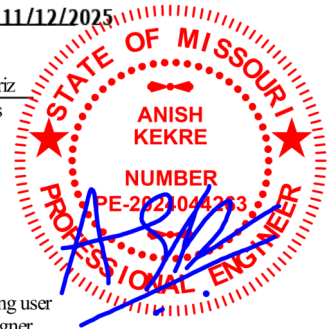
JT	Brg Combo	Brg Width	Rqd Brg Width	Max React	Max Grav Uplift	Max MWFRS Uplift	Max C&C Uplift	Max Uplift	Max Horiz
1	1	3.5 in	1.69 in	1,430 lbs	.	-112 lbs	-331 lbs	-331 lbs	-6 lbs
5	1	3.5 in	1.69 in	1,430 lbs	.	-112 lbs	-331 lbs	-331 lbs	.

Material

TC: SYP#1 2 x 4
BC: SYP#1 2 x 4
Web: SYP#1 2 x 4

Bracing

TC: Sheathed or Purlins at 3-2-0, Purlin design by Others.
BC: Sheathed or Purlins at 9-3-0, Purlin design by Others.



Loads

- This truss has been designed for the effects of balanced (14 psf) and unbalanced sloped roof snow loads in accordance with ASCE7 - 16 with the following user defined input: 20 psf GSL, Terrain C, Exposure (Ce = 1.0), Thermal (Ct = 1.00), DOL = 1.15. If the roof configuration differs from hip/gable, Building Designer shall verify snow loads.
- This truss has been designed to account for the effects of ice dams forming at the eaves.
- This truss has been designed for the effects of wind loads in accordance with ASCE7 - 16 with the following user defined input: 115 mph (Factored), Exposure C, Enclosed, Gable/Hip, Risk Category II, Overall Bldg Dims 25 ft x 60 ft, h = 15 ft, End Zone Truss, Both end webs considered. DOL = 1.60
- Concurrent minimum storage attic loading has been applied in accordance with IBC 1607.1

Member Forces

Table indicates: Member ID, max CSI, max tension force, (max compression force). Only forces greater than 300lbs are shown in this table.

TC	1-2	0.562	566 lbs	(-3,022 lbs)	3-4	0.619	516 lbs	(-2,735 lbs)				
	2-3	0.619	516 lbs	(-2,735 lbs)	4-5	0.562	566 lbs	(-3,022 lbs)				
BC	5-6	0.997	2,804 lbs	(-425 lbs)	6-8	0.855	1,946 lbs		8-1	0.997	2,804 lbs	(-425 lbs)
Web	2-8	0.080		(-418 lbs)	3-8	0.143	865 lbs		3-6	0.143	865 lbs	
									4-6	0.080		(-418 lbs)

Notes

- Unless noted otherwise, do not cut or alter any truss member or plate without prior approval from a Professional Engineer.
- Gable webs placed at 24" OC, U.N.O.
- Attach structural gable blocks with 2x4 20g plates, U.N.O.
- Bracing shown is for in-plane requirements. For out-of-plane requirements, refer to BCSI-B3 published by the SBCA.
- The fabrication tolerance for this roof truss is 20 % (Cq = 0.80).
- A creep factor of 2.00 has been applied for this truss analysis.
- The "SYP" label shown in the "Material Summary" above indicates the new SPIB design values effective June 1, 2013 were used.
- Listed wind uplift reactions based on MWFRS & C&C loading.

WARNING: Verify all design parameters and follow all notes on this drawing and in the Eagle Metal Design Notes. This design is for an individual building component (a truss), not a truss system, and is based only on parameters shown and provided by the Building Designer. The applicability of the design parameters must be verified by the Building Designer and should properly incorporate this design into the overall building design before use. Bracing shown is only to prevent buckling of individual truss web and/or chord members. Additional temporary and permanent bracing is always required to prevent collapse and provide stability. Design valid only when Eagle Metal connectors are used. A seal on this drawing indicates acceptance of professional engineering responsibility solely for the truss component design shown.

TrueBuild® Truss Software v5.8.14
Eagle Metal Products

Quality Line Truss Co., LLC

34593 S 4350 RD

Address 2

Adair, OK 74330

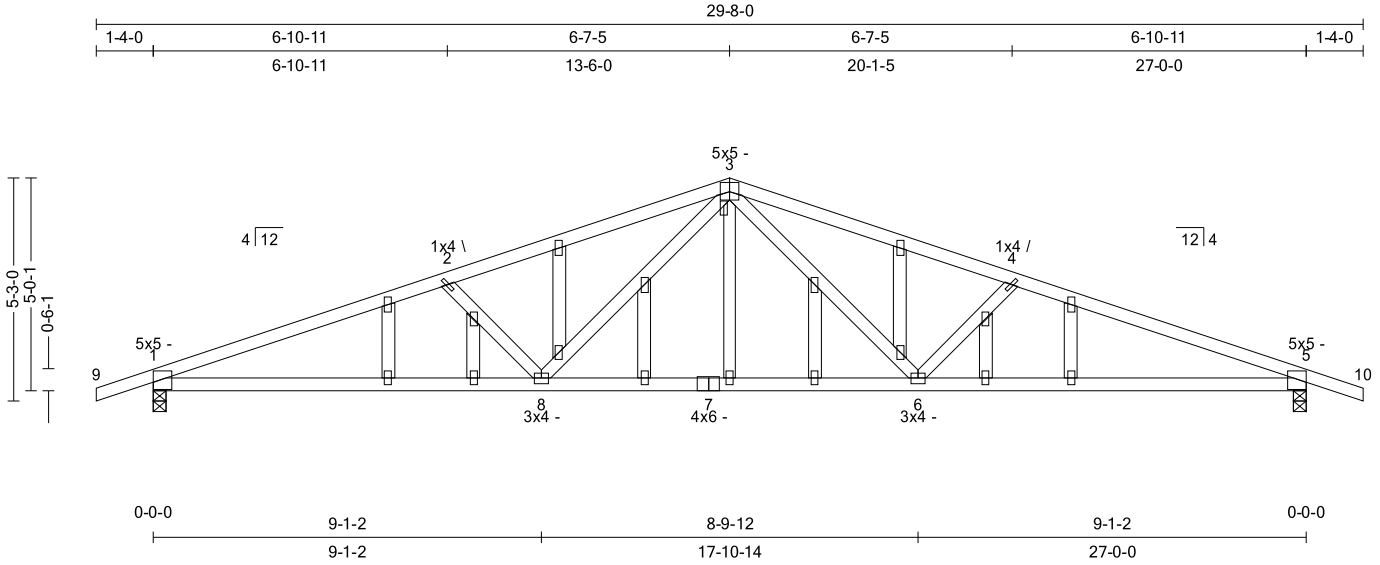
Truss:SGE02

Job: LOT 12_J BUILDING_REF FRAMING

Date: 11/12/25 10:42:47

Page: 1 of 1

SPAN 27-0-0	PITCH 4/12	QTY 1	OHL 1-4-0	OHR 1-4-0	CANT L 0-0-0	CANT R 0-0-0	PLY(S) 1	SPACING 24 in	WGT/PLY 140 lbs
----------------	---------------	----------	--------------	--------------	-----------------	-----------------	-------------	------------------	--------------------



All plates shown to be Eagle 20 unless otherwise noted.

Loading (psf)	General	CSI	Deflection	L/	(loc)	Allowed
TCLL : 20	Bldg Code : IBC 2018/	TC : 0.62 (2-3)	Vert TL: 0.48 in	L / 654	(6-7)	L / 240
TCDL : 10	TPI 1-2014	BC : 1.00 (8-1)	Vert LL: 0.16 in	L / 999	7	L / 360
BCLL : 0	Rep Mbr : No	Web : 0.14 (3-8)	Horz TL: 0.1 in		5	
BCDL : 10	Lumber D.O.L. : 115 %					

Reaction

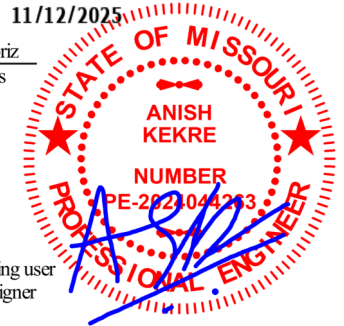
JT	Brg Combo	Brg Width	Rqd Brg Width	Max React	Max Grav Uplift	Max MWFRS Uplift	Max C&C Uplift	Max Uplift	Max Horiz
1	1	3.5 in	1.69 in	1,430 lbs	.	-112 lbs	-331 lbs	-331 lbs	-6 lbs
5	1	3.5 in	1.69 in	1,430 lbs	.	-112 lbs	-331 lbs	-331 lbs	.

Material

TC: SYP#1 2 x 4
BC: SYP#1 2 x 4
Web: SYP#1 2 x 4

Bracing

TC: Sheathed or Purlins at 3-2-0, Purlin design by Others.
BC: Sheathed or Purlins at 9-3-0, Purlin design by Others.



Loads

- This truss has been designed for the effects of balanced (14 psf) and unbalanced sloped roof snow loads in accordance with ASCE7 - 16 with the following user defined input: 20 psf GSL, Terrain C, Exposure (Ce=1.0), Thermal (Ct=1.00), DOL = 1.15. If the roof configuration differs from hip/gable, Building Designer shall verify snow loads.
- This truss has been designed to account for the effects of ice dams forming at the eaves.
- This truss has been designed for the effects of wind loads in accordance with ASCE7 - 16 with the following user defined input: 115 mph (Factored), Exposure C, Enclosed, Gable/Hip, Risk Category II, Overall Bldg Dims 25 ft x 60 ft, h = 15 ft, End Zone Truss, Both end webs considered. DOL = 1.60
- Concurrent minimum storage attic loading has been applied in accordance with IBC 1607.1

Member Forces

Table indicates: Member ID, max CSI, max tension force, (max compression force). Only forces greater than 300lbs are shown in this table.

TC	1-2	0.562	566 lbs	(-3,022 lbs)	3-4	0.619	516 lbs	(-2,735 lbs)				
	2-3	0.619	516 lbs	(-2,735 lbs)	4-5	0.562	566 lbs	(-3,022 lbs)				
BC	5-6	0.997	2,804 lbs	(-425 lbs)	6-8	0.855	1,946 lbs		8-1	0.997	2,804 lbs	(-425 lbs)
Web	2-8	0.080		(-418 lbs)	3-8	0.143	865 lbs		3-6	0.143	865 lbs	
									4-6	0.080		(-418 lbs)

Notes

- Unless noted otherwise, do not cut or alter any truss member or plate without prior approval from a Professional Engineer.
- Gable webs placed at 24" OC, U.N.O.
- Attach structural gable blocks with 2x4 20g plates, U.N.O.
- Bracing shown is for in-plane requirements. For out-of-plane requirements, refer to BCSI-B3 published by the SBCA.
- The fabrication tolerance for this roof truss is 20 % (Cq = 0.80).
- A creep factor of 2.00 has been applied for this truss analysis.
- The "SYP" label shown in the "Material Summary" above indicates the new SPIB design values effective June 1, 2013 were used.
- Listed wind uplift reactions based on MWFRS & C&C loading.

WARNING: Verify all design parameters and follow all notes on this drawing and in the Eagle Metal Design Notes. This design is for an individual building component (a truss), not a truss system, and is based only on parameters shown and provided by the Building Designer. The applicability of the design parameters must be verified by the Building Designer and should properly incorporate this design into the overall building design before use. Bracing shown is only to prevent buckling of individual truss web and/or chord members. Additional temporary and permanent bracing is always required to prevent collapse and provide stability. Design valid only when Eagle Metal connectors are used. A seal on this drawing indicates acceptance of professional engineering responsibility solely for the truss component design shown.

TrueBuild® Truss Software v5.8.14
Eagle Metal Products

Quality Line Truss Co., LLC

34593 S 4350 RD

Address 2

Adair, OK 74330

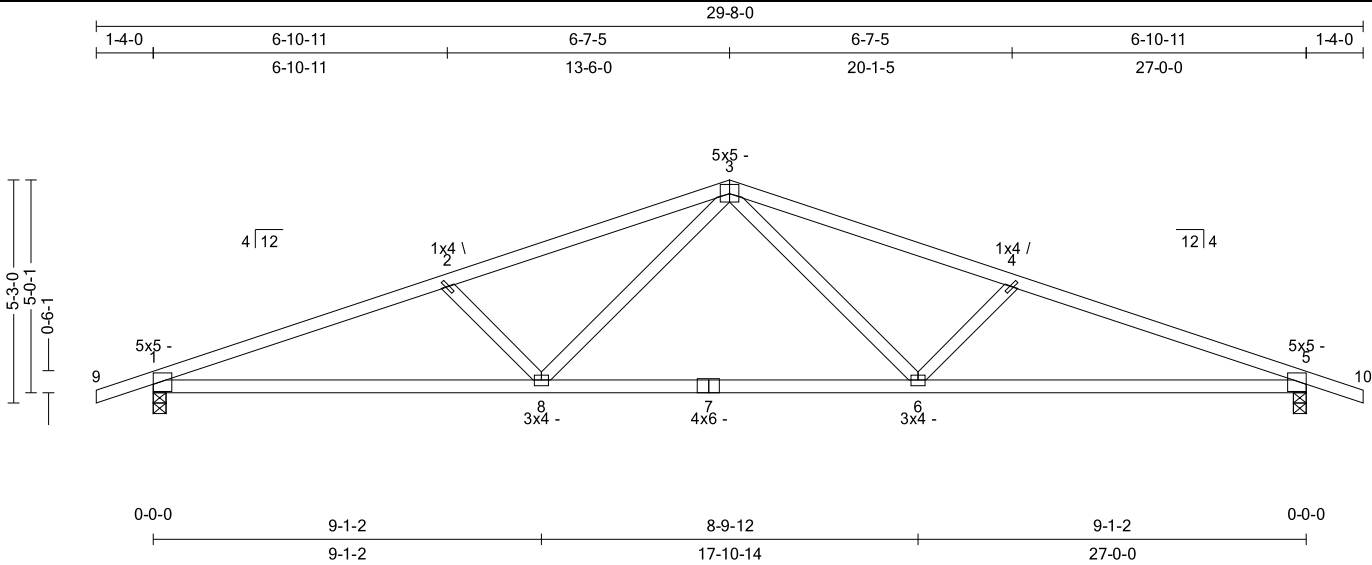
Truss: T01

Job: LOT 12_J BUILDING_REF FRAMING

Date: 11/12/25 10:42:49

Page: 1 of 1

SPAN 27-0-0	PITCH 4/12	QTY 15	OHL 1-4-0	OHR 1-4-0	CANT L 0-0-0	CANT R 0-0-0	PLY(S) 1	SPACING 24 in	WGT/PLY 108 lbs
----------------	---------------	-----------	--------------	--------------	-----------------	-----------------	-------------	------------------	--------------------



All plates shown to be Eagle 20 unless otherwise noted.

Loading (psf)	General	CSI	Deflection	L/	(loc)	Allowed
TCLL : 20	Bldg Code : IBC 2018/	TC : 0.52 (2-3)	Vert TL: 0.48 in	L / 654	(6-7)	L / 240
TCDL : 10	Rep Mbr : Yes	BC : 0.89 (8-1)	Vert LL: 0.16 in	L / 999	7	L / 360
BCLL : 0	Lumber D.O.L. : 115 %	Web : 0.14 (3-8)	Horz TL: 0.1 in		5	
BCDL : 10						

Reaction

JT	Brg Combo	Brg Width	Rqd Brg Width	Max React	Max Grav Uplift	Max MWFRS Uplift	Max C&C Uplift	Max Uplift	Max Horiz
1	1	3.5 in	1.69 in	1,430 lbs	.	-112 lbs	-331 lbs	-331 lbs	-6 lbs
5	1	3.5 in	1.69 in	1,430 lbs	.	-112 lbs	-331 lbs	-331 lbs	.

Material

TC: SYP#1 2 x 4
BC: SYP#1 2 x 4
Web: SYP#1 2 x 4

Bracing

TC: Sheathed or Purlins at 3-4-0, Purlin design by Others.
BC: Sheathed or Purlins at 9-9-0, Purlin design by Others.

Loads

- This truss has been designed for the effects of balanced (14 psf) and unbalanced sloped roof snow loads in accordance with ASCE7 - 16 with the following user defined input: 20 psf GSL, Terrain C, Exposure (Ce=1.0), Thermal (Ct=1.00), DOL = 1.15. If the roof configuration differs from hip/gable, Building Designer shall verify snow loads.
- This truss has been designed to account for the effects of ice dams forming at the eaves.
- This truss has been designed for the effects of wind loads in accordance with ASCE7 - 16 with the following user defined input: 115 mph (Factored), Exposure C, Enclosed, Gable/Hip, Risk Category II, Overall Bldg Dims 25 ft x 60 ft, h = 15 ft, End Zone Truss, Both end webs considered. DOL = 1.60
- Concurrent minimum storage attic loading has been applied in accordance with IBC 1607.1

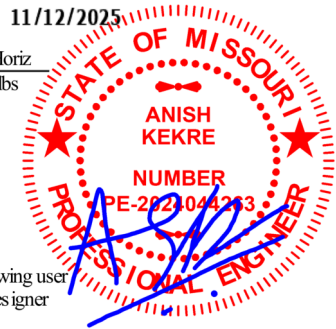
Member Forces

Table indicates: Member ID, max CSI, max tension force, (max compression force). Only forces greater than 300lbs are shown in this table.

TC	1-2	0.485	566 lbs	(-3,022 lbs)	3-4	0.523	516 lbs	(-2,735 lbs)	
	2-3	0.523	516 lbs	(-2,735 lbs)	4-5	0.485	566 lbs	(-3,022 lbs)	
BC	5-6	0.885	2,804 lbs	(-425 lbs)	6-8	0.756	1,946 lbs	(-425 lbs)	
Web	2-8	0.080	(-418 lbs)	3-8	0.143	865 lbs	3-6	0.143	865 lbs
							4-6	0.080	(-418 lbs)

Notes

- Unless noted otherwise, do not cut or alter any truss member or plate without prior approval from a Professional Engineer.
- The fabrication tolerance for this roof truss is 20 % (Cq=0.80).
- Brace bottom chord with approved sheathing or purlins per Bracing Summary.
- A creep factor of 2.00 has been applied for this truss analysis.
- The "SYP" label shown in the "Material Summary" above indicates the new SPIB design values effective June 1, 2013 were used.
- Listed wind uplift reactions based on MWFRS & C&C loading.



WARNING: Verify all design parameters and follow all notes on this drawing and in the Eagle Metal Design Notes. This design is for an individual building component (a truss), not a truss system, and is based only on parameters shown and provided by the Building Designer. The applicability of the design parameters must be verified by the Building Designer and should properly incorporate this design into the overall building design before use. Bracing shown is only to prevent buckling of individual truss web and/or chord members. Additional temporary and permanent bracing is always required to prevent collapse and provide stability. Design valid only when Eagle Metal connectors are used. A seal on this drawing indicates acceptance of professional engineering responsibility solely for the truss component design shown.

TrueBuild® Truss Software v5.8.14
Eagle Metal Products

Quality Line Truss Co., LLC

34593 S 4350 RD

Address 2

Adair, OK 74330

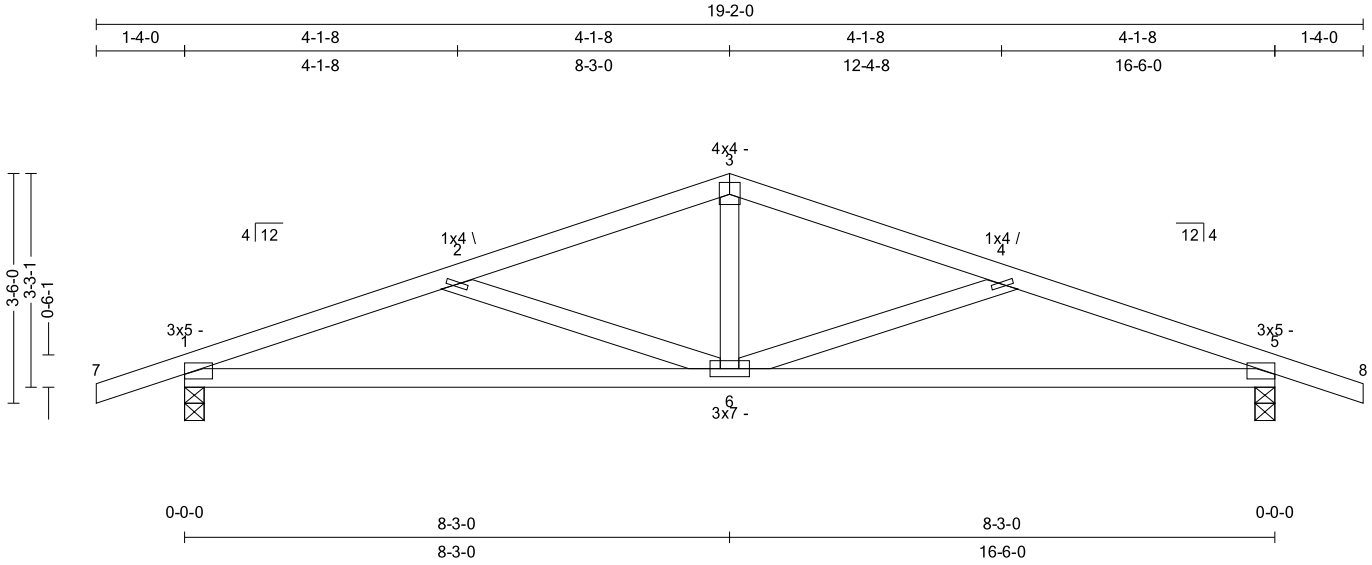
Truss:T02

Job: LOT 12_J BUILDING_REF FRAMING

Date: 11/12/25 10:42:50

Page: 1 of 1

SPAN 16-6-0	PITCH 4/12	QTY 4	OHL 1-4-0	OHR 1-4-0	CANT L 0-0-0	CANT R 0-0-0	PLY(S) 1	SPACING 24 in	WGT/PLY 68 lbs
----------------	---------------	----------	--------------	--------------	-----------------	-----------------	-------------	------------------	-------------------



All plates shown to be Eagle 20 unless otherwise noted.

Loading (psf)	General	CSI	Deflection	L/	(loc)	Allowed
TCLL : 20	Bldg Code : IBC 2018/	TC : 0.24 (4-5)	Vert TL: 0.17 in	L / 999	(5-6)	L / 240
TCDL : 10	Rep Mbr : Yes	BC : 0.62 (6-1)	Vert LL: 0.07 in	L / 999	(5-6)	L / 360
BCLL : 0	Lumber D.O.L. : 115 %	Web : 0.12 (2-6)	Horz TL: 0.04 in		5	
BCDL : 10						

Reaction

JT	Brg Combo	Brg Width	Rqd Brg Width	Max React	Max Grav Uplift	Max MWFRS Uplift	Max C&C Uplift	Max Uplift	Max Horiz
1	1	3.5 in	1.50 in	905 lbs	.	-78 lbs	-356 lbs	-356 lbs	-7 lbs
5	1	3.5 in	1.50 in	905 lbs	.	-78 lbs	-356 lbs	-356 lbs	.

Material

TC: SYP#1 2 x 4
BC: SYP#1 2 x 4
Web: SYP#1 2 x 4

Bracing

TC: Sheathed or Purlins at 4-11-0, Purlin design by Others.
BC: Sheathed or Purlins at 9-6-0, Purlin design by Others.

Loads

- This truss has been designed for the effects of balanced (14 psf) and unbalanced sloped roof snow loads in accordance with ASCE7 - 16 with the following user defined input: 20 psf GSL, Terrain C, Exposure (Ce=1.0), Thermal (Ct=1.00), DOL = 1.15. If the roof configuration differs from hip/gable, Building Designer shall verify snow loads.
- This truss has been designed to account for the effects of ice dams forming at the eaves.
- This truss has been designed for the effects of wind loads in accordance with ASCE7 - 16 with the following user defined input: 115 mph (Factored), Exposure C, Enclosed, Gable/Hip, Risk Category II, Overall Bldg Dims 25 ft x 60 ft, h = 15 ft, End Zone Truss, Both end webs considered. DOL = 1.60
- Concurrent minimum storage attic loading has been applied in accordance with IBC 1607.1

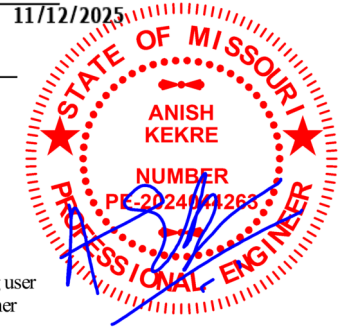
Member Forces

Table indicates: Member ID, max CSI, max tension force, (max compression force). Only forces greater than 300lbs are shown in this table.

TC	2-3	0.237	589 lbs	(-1,667 lbs)	3-4	0.209	434 lbs	(-1,343 lbs)	
BC	5-6	0.621	1,544 lbs	(-455 lbs)	6-1	0.621	1,544 lbs	(-455 lbs)	
Web	2-6	0.123	(-396 lbs)	3-6	0.087	526 lbs	4-6	0.123	(-396 lbs)

Notes

- Unless noted otherwise, do not cut or alter any truss member or plate without prior approval from a Professional Engineer.
- The fabrication tolerance for this roof truss is 20 % (Cq = 0.80).
- Brace bottom chord with approved sheathing or purlins per Bracing Summary.
- A creep factor of 2.00 has been applied for this truss analysis.
- The "SYP" label shown in the "Material Summary" above indicates the new SPIB design values effective June 1, 2013 were used.
- Listed wind uplift reactions based on MWFRS & C&C loading.



WARNING: Verify all design parameters and follow all notes on this drawing and in the Eagle Metal Design Notes. This design is for an individual building component (a truss), not a truss system, and is based only on parameters shown and provided by the Building Designer. The applicability of the design parameters must be verified by the Building Designer and should properly incorporate this design into the overall building design before use. Bracing shown is only to prevent buckling of individual truss web and/or chord members. Additional temporary and permanent bracing is always required to prevent collapse and provide stability. Design valid only when Eagle Metal connectors are used. A seal on this drawing indicates acceptance of professional engineering responsibility solely for the truss component design shown.

TrueBuild® Truss Software v5.8.14
Eagle Metal Products

Quality Line Truss Co., LLC

34593 S 4350 RD

Address 2

Adair, OK 74330

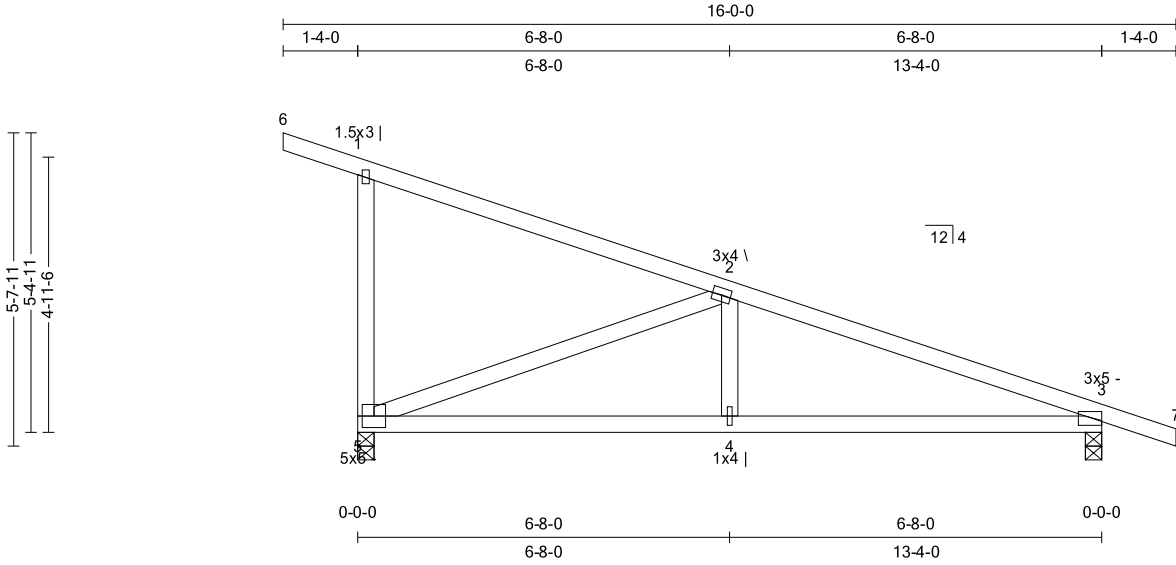
Truss:T03

Job: LOT 12_J BUILDING_REF FRAMING

Date: 11/12/25 10:42:51

Page: 1 of 1

SPAN 13-4-0	PITCH -4/12	QTY 2	OHL 1-4-0	OHR 1-4-0	CANT L 0-0-0	CANT R 0-0-0	PLY(S) 1	SPACING 24 in	WGT/PLY 61 lbs
----------------	----------------	----------	--------------	--------------	-----------------	-----------------	-------------	------------------	-------------------



All plates shown to be Eagle 20 unless otherwise noted.

Loading (psf)	General	CSI	Deflection	L/	(loc)	Allowed
TCLL : 20	Bldg Code : IBC 2018/	TC : 0.46 (1-2)	Vert TL: 0.13 in	L / 999	(4-5)	L / 240
TCDL : 10	TPI 1-2014	BC : 0.60 (4-5)	Vert LL: 0.05 in	L / 999	(4-5)	L / 360
BCLL : 0	Rep Mbr : No	Web : 0.81 (2-5)	Horz TL: 0.02 in		3	
BCDL : 10	Lumber D.O.L. : 115 %					

Reaction

JT	Brg Combo	Brg Width	Rqd Brg Width	Max React	Max Grav Uplift	Max MWFRS Uplift	Max C&C Uplift	Max Uplift	Max Horiz
5	1	3.5 in	1.50 in	755 lbs	.	-98 lbs	-398 lbs	-398 lbs	-183 lbs
3	1	3.5 in	1.50 in	738 lbs	.	-37 lbs	-325 lbs	-325 lbs	.

Material

TC: SYP#1 2 x 4
BC: SYP#1 2 x 4
Web: SYP#1 2 x 4

Bracing

TC: Sheathed or Purlins at 5-3-0, Purlin design by Others.
BC: Sheathed or Purlins at 10-0-0, Purlin design by Others.

Loads

- This truss has been designed for the effects of balanced (14 psf) and unbalanced sloped roof snow loads in accordance with ASCE7 - 16 with the following user defined input: 20 psf GSL, Terrain C, Exposure (Ce=1.0), Thermal (Ct=1.00), DOL = 1.15. If the roof configuration differs from hip/gable, Building Designer shall verify snow loads.
- This truss has been designed to account for the effects of ice dams forming at the eaves.
- This truss has been designed for the effects of wind loads in accordance with ASCE7 - 16 with the following user defined input: 115 mph (Factored), Exposure C, Enclosed, Gable/Hip, Risk Category II, Overall Bldg Dims 25 ft x 60 ft, h = 15 ft, End Zone Truss, Both end webs considered. DOL = 1.60
- Concurrent minimum storage attic loading has been applied in accordance with IBC 1607.1

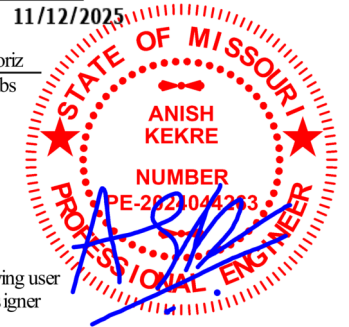
Member Forces

Table indicates: Member ID, max CSI, max tension force, (max compression force). Only forces greater than 300lbs are shown in this table.

TC	2-3	0.459	318 lbs	(-1,158 lbs)
BC	3-4	0.601	1,046 lbs	4-5 0.601 1,046 lbs
Web	2-5	0.815	473 lbs	(-1,116 lbs) 2-4 0.053 319 lbs

Notes

- Unless noted otherwise, do not cut or alter any truss member or plate without prior approval from a Professional Engineer.
- The fabrication tolerance for this roof truss is 20 % (Cq = 0.80).
- Brace bottom chord with approved sheathing or purlins per Bracing Summary.
- A creep factor of 2.00 has been applied for this truss analysis.
- The "SYP" label shown in the "Material Summary" above indicates the new SPIB design values effective June 1, 2013 were used.
- Listed wind uplift reactions based on MWFRS & C&C loading.



WARNING: Verify all design parameters and follow all notes on this drawing and in the Eagle Metal Design Notes. This design is for an individual building component (a truss), not a truss system, and is based only on parameters shown and provided by the Building Designer. The applicability of the design parameters must be verified by the Building Designer and should properly incorporate this design into the overall building design before use. Bracing shown is only to prevent buckling of individual truss web and/or chord members. Additional temporary and permanent bracing is always required to prevent collapse and provide stability. Design valid only when Eagle Metal connectors are used. A seal on this drawing indicates acceptance of professional engineering responsibility solely for the truss component design shown.

TrueBuild® Truss Software v5.8.14
Eagle Metal Products

Quality Line Truss Co., LLC

34593 S 4350 RD

Address 2

Adair, OK 74330

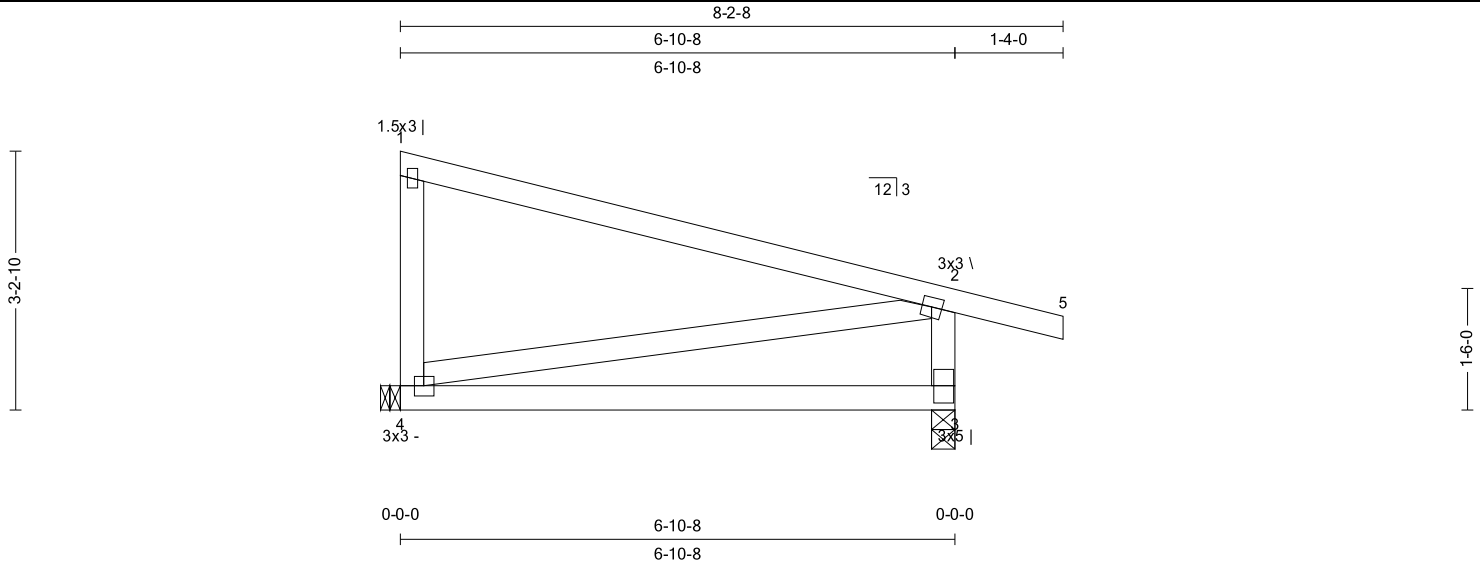
Truss:T04

Job: LOT 12_J BUILDING_REF FRAMING

Date: 11/12/25 10:42:52

Page: 1 of 1

SPAN 6-10-8	PITCH -3 /12	QTY 9	OHL 0-0-0	OHR 1-4-0	CANT L 0-0-0	CANT R 0-0-0	PLY(S) 1	SPACING 24 in	WGT/PLY 35 lbs
----------------	-----------------	----------	--------------	--------------	-----------------	-----------------	-------------	------------------	-------------------



All plates shown to be Eagle 20 unless otherwise noted.

Loading (psf)	General	CSI	Deflection	L/	(loc)	Allowed
TCLL : 20	Bldg Code : IBC 2018/	TC : 0.59 (1-2)	Vert TL: 0.2 in	L / 376	(3-4)	L / 240
TCDL : 10	TPI 1-2014	BC : 0.43 (3-4)	Vert LL: 0.1 in	L / 752	(3-4)	L / 360
BCLL : 0	Rep Mbr : Yes	Web : 0.12 (1-4)	Horz TL: 0 in		4	
BCDL : 10	Lumber D.O.L. : 115 %					

11/12/2025

Reaction

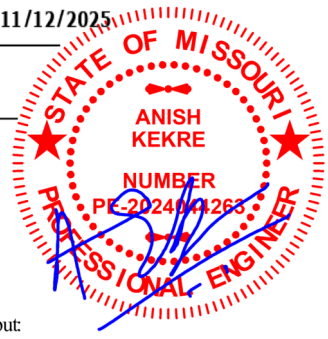
JT	Brg Combo	Brg Width	Rqd Brg Width	Max React	Max Grav Uplift	Max MWFRS Uplift	Max C&C Uplift	Max Uplift	Max Horiz
4	1	3.5 in	1.50 in	334 lbs	.	-37 lbs	-262 lbs	-262 lbs	.
3	1	3.5 in	1.50 in	434 lbs	.	-49 lbs	-383 lbs	-383 lbs	-130 lbs

Material

TC: SYP#1 2 x 4
BC: SYP#1 2 x 4
Web: SYP#1 2 x 4

Bracing

TC: Sheathed or Purlins at 6-3-0, Purlin design by Others.
BC: Sheathed or Purlins at 10-0-0, Purlin design by Others.



Loads

- This truss has been designed for the effects of balanced (20 psf) sloped roof snow loads in accordance with ASCE7 - 16 with the following user defined input: 20 psf GSL, Terrain C, Exposure (Ce = 1.0), Thermal (Ct = 1.00), DOL = 1.15. If the roof configuration differs from hip/gable, Building Designer shall verify snow loads.
- This truss has not been designed for the effects of unbalanced snow loads.
- This truss has been designed to account for the effects of ice dams forming at the eaves.
- This truss has been designed for the effects of wind loads in accordance with ASCE7 - 16 with the following user defined input: 115 mph (Factored), Exposure C, Enclosed, Gable/Hip, Risk Category II, Overall Bldg Dims 25 ft x 60 ft, h = 15 ft, End Zone Truss, Both end webs considered. DOL = 1.60
- Concurrent minimum storage attic loading has been applied in accordance with IBC 1607.1

Member Forces

Table indicates: Member ID, max CSI, max tension force, (max compression force). Only forces greater than 300lbs are shown in this table.

TC	BC	Web
		2-3 0.067 424 lbs

Notes

- Unless noted otherwise, do not cut or alter any truss member or plate without prior approval from a Professional Engineer.
- The fabrication tolerance for this roof truss is 20 % (Cq = 0.80).
- Nailing schedule shall be specified by truss manufacturer per NDS.
- Brace bottom chord with approved sheathing or purlins per Bracing Summary.
- A creep factor of 2.00 has been applied for this truss analysis.
- The "SYP" label shown in the "Material Summary" above indicates the new SPIB design values effective June 1, 2013 were used.
- Listed wind uplift reactions based on MWFRS & C&C loading.

WARNING: Verify all design parameters and follow all notes on this drawing and in the Eagle Metal Design Notes. This design is for an individual building component (a truss), not a truss system, and is based only on parameters shown and provided by the Building Designer. The applicability of the design parameters must be verified by the Building Designer and should properly incorporate this design into the overall building design before use. Bracing shown is only to prevent buckling of individual truss web and/or chord members. Additional temporary and permanent bracing is always required to prevent collapse and provide stability. Design valid only when Eagle Metal connectors are used. A seal on this drawing indicates acceptance of professional engineering responsibility solely for the truss component design shown.

TrueBuild® Truss Software v5.8.14
Eagle Metal Products

Quality Line Truss Co., LLC

34593 S 4350 RD

Address 2

Adair, OK 74330

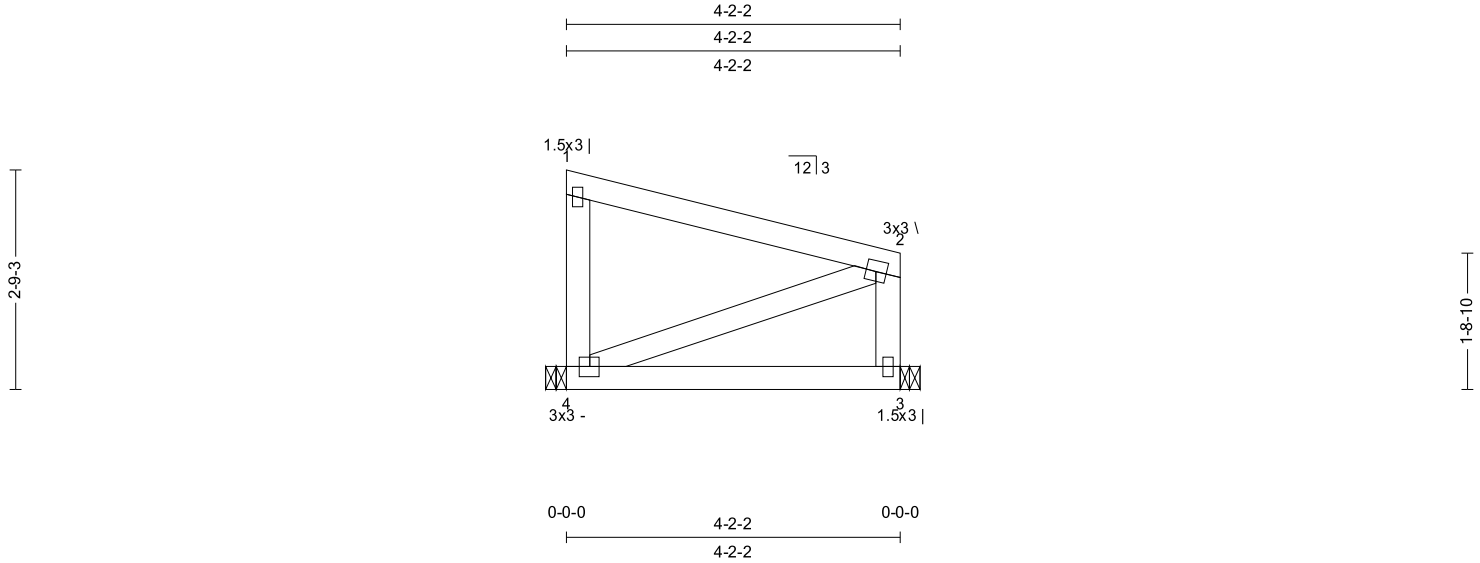
Truss:T05

Job: LOT 12_J BUILDING_REF FRAMING

Date: 11/12/25 10:42:53

Page: 1 of 1

SPAN 4-2-2	PITCH -3 /12	QTY 5	OHL 0-0-0	OHR 0-0-0	CANT L 0-0-0	CANT R 0-0-0	PLY(S) 1	SPACING 24 in	WGT/PLY 22 lbs
---------------	-----------------	----------	--------------	--------------	-----------------	-----------------	-------------	------------------	-------------------



All plates shown to be Eagle 20 unless otherwise noted.

Loading (psf)	General	CSI	Deflection	L/	(loc)	Allowed
TCLL : 20	Bldg Code : IBC 2018/	TC : 0.28 (1-2)	Vert TL: 0.03 in	L / 999	(3-4)	L / 240
TCDL : 10	TPI 1-2014	BC : 0.15 (3-4)	Vert LL: 0.01 in	L / 999	(3-4)	L / 360
BCLL : 0	Rep Mbr : Yes	Web : 0.09 (1-4)	Horz TL: 0 in		3	
BCDL : 10	Lumber D.O.L. : 115 %					

11/12/2025

Reaction

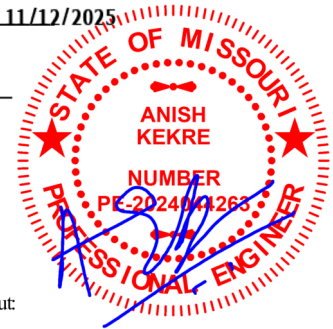
JT	Brg Combo	Brg Width	Rqd Brg Width	Max React	Max Grav Uplift	Max MWFRS Uplift	Max C&C Uplift	Max Uplift	Max Horiz
4	1	1.5 in	1.50 in	209 lbs	.	-29 lbs	-214 lbs	-214 lbs	-93 lbs
3	1	1.5 in	1.50 in	209 lbs	.	-11 lbs	-148 lbs	-148 lbs	.

Material

TC: SYP#1 2 x 4
BC: SYP#1 2 x 4
Web: SYP#1 2 x 4

Bracing

TC: Sheathed or Purlins at 6-3-0, Purlin design by Others.
BC: Sheathed or Purlins at 10-0-0, Purlin design by Others.



Loads

- This truss has been designed for the effects of balanced (20 psf) sloped roof snow loads in accordance with ASCE7 - 16 with the following user defined input: 20 psf GSL, Terrain C, Exposure (Ce = 1.0), Thermal (Ct = 1.00), DOL = 1.15. If the roof configuration differs from hip/gable, Building Designer shall verify snow loads.
- This truss has not been designed for the effects of unbalanced snow loads.
- This truss has been designed for the effects of wind loads in accordance with ASCE7 - 16 with the following user defined input: 115 mph (Factored), Exposure C, Enclosed, Gable/Hip, Risk Category II, Overall Bldg Dims 25 ft x 60 ft, h = 15 ft, End Zone Truss, Both end webs considered. DOL = 1.60
- Concurrent minimum storage attic loading has been applied in accordance with IBC 1607.1

Member Forces

Table indicates: Member ID, max CSI, max tension force, (max compression force). Only forces greater than 300lbs are shown in this table.

TC	BC	Web

Notes

- Unless noted otherwise, do not cut or alter any truss member or plate without prior approval from a Professional Engineer.
- The fabrication tolerance for this roof truss is 20 % (Cq = 0.80).
- Nailing schedule shall be specified by truss manufacturer per NDS.
- Brace bottom chord with approved sheathing or purlins per Bracing Summary.
- A creep factor of 2.00 has been applied for this truss analysis.
- The "SYP" label shown in the "Material Summary" above indicates the new SPIB design values effective June 1, 2013 were used.
- Listed wind uplift reactions based on MWFRS & C&C loading.

WARNING: Verify all design parameters and follow all notes on this drawing and in the Eagle Metal Design Notes. This design is for an individual building component (a truss), not a truss system, and is based only on parameters shown and provided by the Building Designer. The applicability of the design parameters must be verified by the Building Designer and should properly incorporate this design into the overall building design before use. Bracing shown is only to prevent buckling of individual truss web and/or chord members. Additional temporary and permanent bracing is always required to prevent collapse and provide stability. Design valid only when Eagle Metal connectors are used. A seal on this drawing indicates acceptance of professional engineering responsibility solely for the truss component design shown.

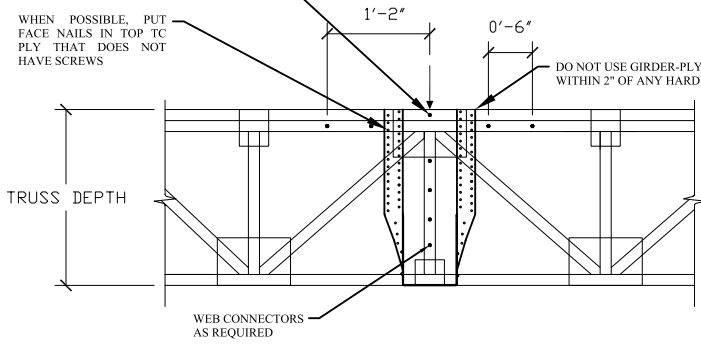
TrueBuild® Truss Software v5.8.14
Eagle Metal Products

THA42X-2/THA4XX WITH TRUSSES @ 24"OC OR AN ISOLATED CONNECTION

PER SIMPSON, PRE DRILLING REQUIRED THROUGH THE PLATE USING A MAXIMUM OF 5/32" BIT

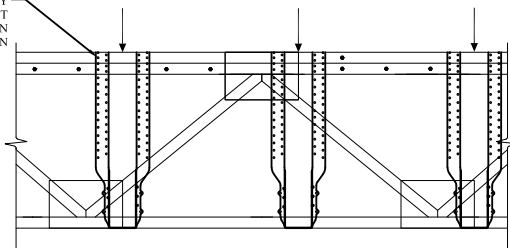
WHEN POSSIBLE, PUT FACE NAILS IN TOP TC PLY THAT DOES NOT HAVE SCREWS

DO NOT USE GIRDER-PLY CONNECTORS WITHIN 2" OF ANY HARDWARE CONNECTORS



WHEN SCREWS IN ONLY ONE TC REQUIRED, PUT FACE HANGER NAILS IN TOP TC & SCREWS IN BOTTOM TC

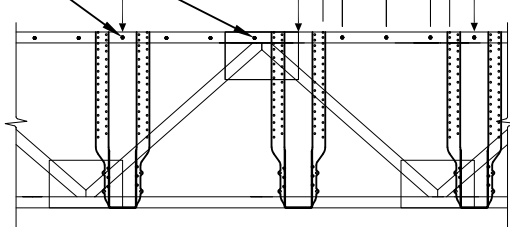
APPLIED LOAD



MOVE SCREW TO AVOID PRE-DRILLING WHERE THERE IS NO PLATE. SCREW IN THE MIDDLE OK

0'-6" 0'-2 5/8" 0'-2 5/8" 0'-6" 0'-3 3/8"

APPLIED LOAD



1. TO TRANSFER UNIFORM LOADS APPLIED TO SIMPLY SUPPORTED SPANS ON ASSEMBLY TOP CHORD:
 - 1.1. SPACE SCREWS AS REQUIRED TO TRANSFER HALF THE LOAD INTO THE SUPPORTING TRUSS.
 - 1.2. MINIMUM SCREW SPACING SHALL BE 4" O.C.
2. TO TRANSFER CONCENTRATED LOADS APPLIED TO SIMPLY SUPPORTED SPANS ON AN ASSEMBLY TOP CHORD OR VERTICAL WEB:
 - 2.1. CONCENTRATED LOADS MUST BE APPLIED AT THE PANEL JOINTS.
 - 2.2. SCREWS TO BE INSTALLED WITHIN 12" OF THE CONCENTRATED LOAD ON TOP-CHORD ASSEMBLY
3. GAP BETWEEN THE TRUSSES SHALL NOT EXCEED 1/8" O.C.
4. FLOOR SHEATHING SHALL BE SCREWED OR NAILED TO EACH TOP-CHORD PLY. (FASTENER SPACING PER THE APPLICABLE CODE REQUIREMENTS, OR 12" O.C.)
5. SDW SCREWS SHALL NOT BE INSTALLED IN AREAS WHERE LUMBER WANE EXCEEDS 1/4".
6. HANGERS ON SKEWED GIRDERS:
 - 6.1. HANGER LOADS NOT EXCEEDING 34" O.C. ON A SKEWED GIRDER (RESULTING FROM UNIFORMLY SPACED JOISTS UP TO 24" O.C.) MAY BE CONVERTED TO A UNIFORM LOAD.
 - 6.2. OR GIRDERS WITH HANGER LOAD SPACING IN EXCESS OF 34" O.C. THE LOADS SHALL BE CONSIDERED AS CONCENTRATED LOADS AT THE APPLICABLE LOCATIONS.
7. OTHER CONFIGURATIONS ACCEPTABLE AS LONG AS APPROVED BY TRUSS DESIGN ENGINEER.
8. CONNECTION HAS NO UP-LIFT CAPACITY

TRUSS DEPTH	TOTAL # SCREWS INTO TC (s)	AVAILABLE WEB SCREWS @ 4"OC	# WEB(S)	TOTAL SCREWS	SP/HF CAPACITY	SP/DFL CAPACITY
1-0-0	3	1	0	3	1,200	1,680
1-0-0	3	1	1	4	1,600	2,240
1-0-0	3	1	2	5	2,000	2,800
1-0-0	3	1	3	6	2,400	3,360
1-0-0	6*	1	0	6*	2,400	3,360
1-2-0	3	1	0	3	1,200	1,680
1-2-0	3	1	1	4	1,600	2,240
1-2-0	3	1	2	5	2,000	2,800
1-2-0	3	1	3	6	2,400	3,360
1-2-0	6*	1	0	6*	2,400	3,360
1-4-0	3	2	0	3	1,200	1,680
1-4-0	3	2	1	5	2,000	2,800
1-4-0	3	2	2	7	2,800	3,920
1-4-0	6*	2	0	6*	2,400	3,360
1-6-0	3	3	0	3	1,200	1,680
1-6-0	3	3	1	6	2,400	3,360
1-6-0	6*	3	0	6*	2,800	3,360
1-8-0	3	3	0	3	1,200	1,680
1-8-0	3	3	1	6	2,400	3,360
1-8-0	6*	3	0	6*	2,400	3,360
1-10-0	3	3	0	3	1,200	1,680
1-10-0	3	3	1	6	2,400	3,360
1-10-0	6*	3	0	6*	2,400	3,360
2-0-0	3	4	0	3	1,200	1,680
2-0-0	3	4	1	7	2,800	3,920
2-0-0	6*	4	0	6*	2,400	3,360

* = DOUBLE TOP CHORD REQUIRED

