

PROJECT INFORMATION



LEE'S SUMMIT, MO OLDHAM VILLAGE ADDENDUM 2 10/15/25

PROJECT SUMMARY

- EXTERIOR FINISHES
EXTERIOR CANOPY
LANDSCAPING

CODE SUMMARY

Table with columns for applicable codes and their corresponding 2018 International Building Code editions.

CODE ANALYSIS

Tables for PROPOSED PRIMARY OCCUPANCY GROUP and BUILDABLE AREA, including structural frame, exterior nonbearing walls, and interior bearing walls.

ACCESSIBILITY NOTES

- FLOOR SURFACES ARE SLIP RESISTANT.
ALL CHANGES IN FLOOR ELEVATION...
LATCHING AND LOCKING DEVICES ARE SPECIFIED TO BE OPERABLE WITH A SINGLE EFFORT...

PROJECT TEAM

OWNER: Q39, 1000 W 39TH ST, KANSAS CITY, MO 64111
ARCHITECT: BRR ARCHITECTURE INC., 8131 METCALF AVENUE, OVERLAND PARK, KS 66204

MOLD/MILDEW REQUIREMENTS

- IN THE EVENT THE CONTRACTOR DISCOVERS, AT ANY TIME DURING DEMOLITION, CONSTRUCTION AND/OR REMODELING OPERATIONS...
REPAIR AND BID ALL CONTRACT DOCUMENTS, INCLUDING DRAWINGS, SPECIFICATIONS, AND ANY ADDITIONAL REQUIREMENTS...

SIGNAGE REQUIREMENTS

- REQUIRED ACCESSIBLE ELEMENTS SHALL BE IDENTIFIED BY THE INTERNATIONAL SYMBOL OF ACCESSIBILITY AT THE FOLLOWING LOCATIONS:
ACCESSIBLE ENTRANCES WHERE NOT ALL ENTRANCES ARE ACCESSIBLE...
DIRECTIONAL SIGNAGE INDICATING THE ROUTE TO THE NEAREST LIKE ACCESSIBLE ELEMENT...

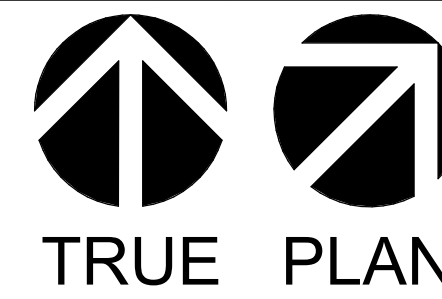
GENERAL REQUIREMENTS

- THE GENERAL CONTRACTOR AND EACH SUBCONTRACTOR IS RESPONSIBLE FOR HAVING A THOROUGH KNOWLEDGE OF ALL CONTRACT DOCUMENTS...
REVIEW AND BID ALL CONTRACT DOCUMENTS, INCLUDING DRAWINGS, SPECIFICATIONS, AND ANY ADDITIONAL REQUIREMENTS...
GENERAL CONTRACTOR IS SOLELY RESPONSIBLE FOR CONSTRUCTION METHODS, TECHNIQUES, SEQUENCES AND PROCEDURES...

VICINITY MAP



PROJECT SITE



SYMBOLS LEGEND

Legend table with columns for symbol and description, including NEW, EXISTING, DEMOLISHED, SECTION INDICATOR, etc.

FIRE SAFETY REQUIREMENTS

- MAINTAIN EXISTING FIRE PROTECTION MEANS OF EGRESS AND LIFE SAFETY REQUIRED BY LOCAL, STATE, AND FEDERAL AUTHORITIES...
PREVENT FLAMMABLE MATERIALS OR LIQUID STORAGE WITHIN BUILDING OR CLIENT DEMISED PREMISES...
PROVIDE FIRE EXTINGUISHERS IN ACCORDANCE WITH NFPA 10 AUTHORITY...

FASTENER SCHEDULE

Table with columns for MATERIALS, SIZE, DRIVER DESIGN, HEAD, LENGTH, TIP, THREADS, QUANTITY, and description of fastener requirements for connecting and attaching interior non-structural framing members.

DRAWING INDEX

Large drawing index table with columns for NUMBER, NAME, LATEST REVISION, and DATE REVISED, listing various drawing sheets and their revisions.

ABBREVIATION LEGEND

Table with columns for XX and DEFINITION, listing abbreviations for materials, fasteners, and construction details.

ABBREVIATION LEGEND

Table with columns for XX and DEFINITION, listing abbreviations for mechanical, electrical, plumbing, and fire protection systems.

ARCHITECT OF RECORD: brr ARCHITECTURE INC., 8131 METCALF AVENUE, SUITE 200, OVERLAND PARK, KS 66204

PROJECT TITLE: Q39 (SHELL) LEE'S SUMMIT, MO OLDHAM VILLAGE

PROJECT NUMBER: 62500002
PROJECT MANAGER: TM
DRAWN BY: ND
CHECKED BY: ND

ISSUES AND REVISIONS table with columns for NUMBER, DATE, REVISION, and DESCRIPTION.

SHEET NAME: COVER SHEET
SHEET NUMBER: A000

CODE ANALYSIS

BUILDING AND SPACE ARE FULLY SPRINKLERED	
TOTAL OCCUPANT LOAD (REF LIFE SAFETY PLAN FOR ADDITIONAL INFORMATION)	620
TOTAL OCCUPANT LOAD	620
EGRESS (REF LIFE SAFETY PLAN FOR ADDITIONAL EGRESS INFORMATION)	
EGRESS WIDTH REQUIRED	122'
EGRESS WIDTH PROVIDED	338'
MAXIMUM COMMON PATH OF TRAVEL	75'
MAXIMUM TRAVEL DISTANCE	250'

EXIT CAPACITY

EXIT DOOR	EXIT WIDTH (IN)	UNIT FACTOR	OCCUPANTS
1	68	0.2	340
2	34	0.2	170
3	68	0.2	340
4	60	0.2	300
5	34	0.2	170
6	34	0.2	170
7	34	0.2	170
TOTALS			
REQUIRED	122		620
PROVIDED	338		1692

OCCUPANT LOAD CALCULATIONS

OCCUPANCY	AREA (SF)	LOAD FACTOR	OCCUPANTS	WIDTH FACTOR	REQUIRED WIDTH (IN)
ASSEMBLY 2	9234	15	616	0.2	124
STORAGE	1127	300	4	0.2	1
TOTALS	10361		620		125

SHEET NOTES

- REFERENCE ELECTRICAL FOR EXIT SIGNAGE AND EMERGENCY LIGHTING
- GO TO PROVIDE ALL FIRE EXTINGUISHERS, COORDINATE LOCATION, TYPE, AND REQUIREMENTS WITH INSPECTOR AND CLIENT. CONFIRM REQUIREMENT FOR RECESSED CABINETS WITH CLIENT.
- CENTER EXIT SIGNS ABOVE DOOR, IN HALLWAY, OR ON AISLE, UNO

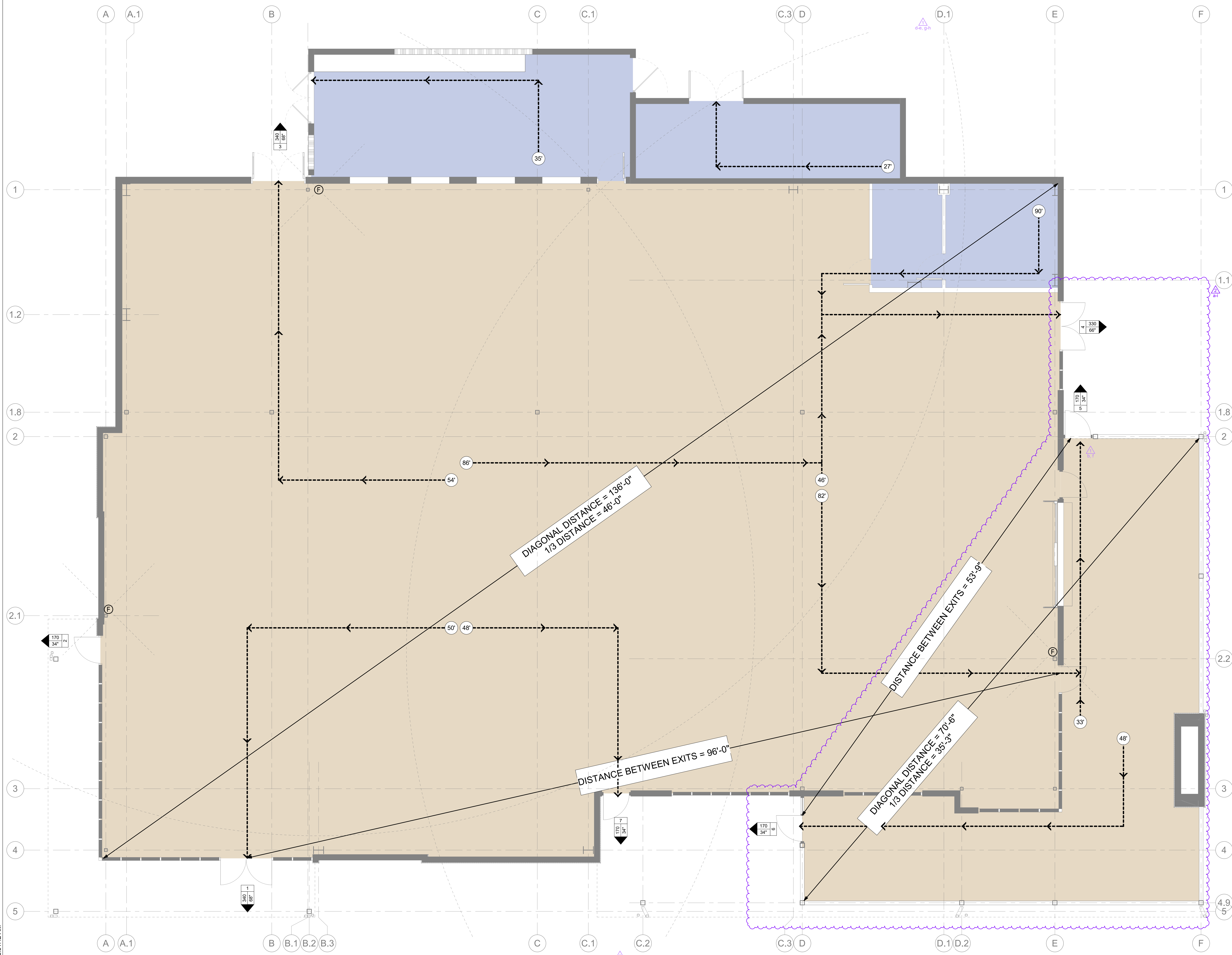
ARCHITECT OF RECORD

brr

BRR ARCHITECTURE INC.
 818 WESTLARK AVENUE
 SUITE 200
 OVERLAND PARK, KS 66204
 WWW.BRRARCH.COM
 TEL: 913.263.8666
 FAX: 913.263.8444

CONSULTANT

CLIENT



SYMBOLS LEGEND

- ASSEMBLY 2
- STORAGE
- PATH OF TRAVEL
- DOOR NUMBER
- OCCUPANT LOAD
- EXIT TAG
- CLEAR WIDTH
- TRAVEL DISTANCE
- FIRE EXTINGUISHER COVERAGE
- FIRE EXTINGUISHER

PROJECT TITLE

Q39 (SHELL)
LEE'S SUMMIT, MO
 OLDHAM VILLAGE

PROJECT NUMBER: 62500002

PROJECT MANAGER: TM

DRAWN BY: TM

CHECKED BY: TM

PROFESSIONAL SEAL

MARK SCHUBERT
 MEMBER
 A-202307014

10/13/2025

STATE OF MISSOURI

MARK SCHUBERT
 MEMBER
 A-202307014

10/13/2025

COPYRIGHT NOTICE

THIS DRAWING WAS PREPARED FOR USE ON A SPECIFIC DATE. CONTINGENT UPON THE USER'S OBTAINING AND REVIEWING ALL NECESSARY PERMITS AND APPROVALS FOR USE ON A DIFFERENT PROJECT SITE OR AT A LATER TIME, THE USER SHALL BE RESPONSIBLE FOR OBTAINING THE SERVICES OF A REGISTERED ARCHITECT AND ENGINEER. REPRODUCTION OF THIS DRAWING FOR USE ON ANOTHER PROJECT IS NOT AUTHORIZED AND MAY BE CONTRARY TO THE LAW.

BRR DOES NOT GUARANTEE THAT CAD FILES ARE SUFFICIENT OR APPROPRIATE FOR USER'S PURPOSES. USER USES OR ALTERS THESE FILES AT USER'S SOLE RISK AND AGREES TO HOLD BRR HARMLESS FROM LIABILITY ARISING FROM USER'S USE.

ISSUES AND REVISIONS

NUMBER	DATE	ORIGINAL ISSUE	DESCRIPTION
1	06/05/25	ISSUE 1	ISSUE 1
2	10/13/25	ISSUE 2	ISSUE 2

SHEET NAME

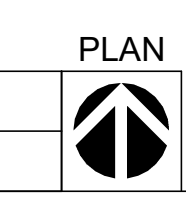
LIFE SAFETY PLAN

SHEET NUMBER

10/13/2025 8:31:42 AM

1 LIFE SAFETY PLAN

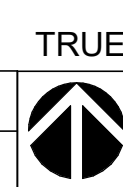
1/4" = 1'-0"



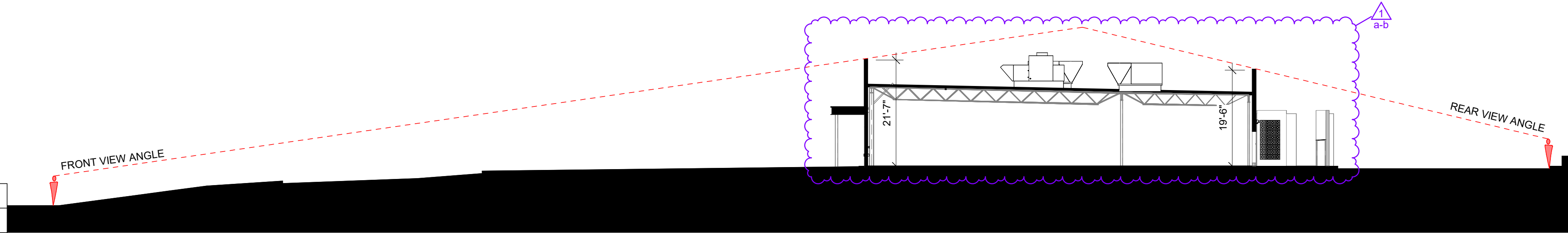
A001

6/20/2025 11:23:11 AM

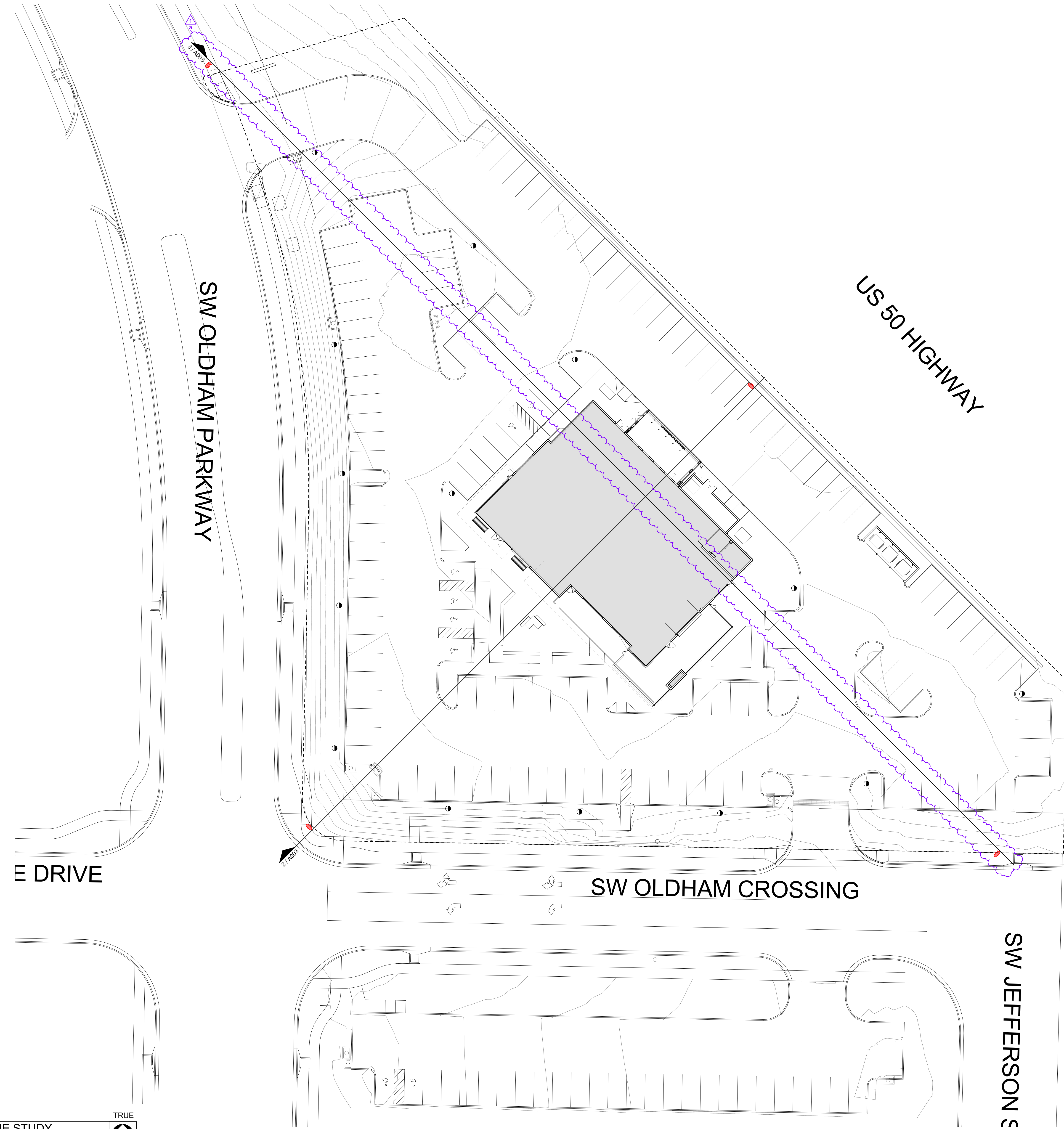
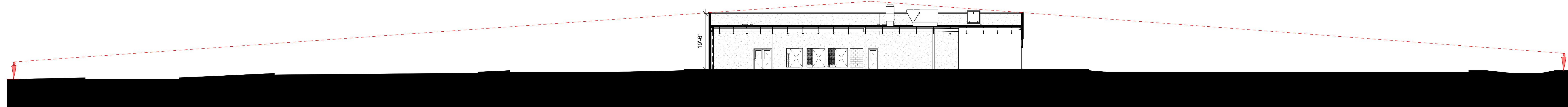
1 SITE PLAN - SIGHT LINE STUDY
3/64" = 1'-0"



2 SIGHT LINE STUDY SECTION
1/16" = 1'-0"



3 SIGHT LINE STUDY SECTION 2
1/16" = 1'-0"



SYMBOLS LEGEND

- TOPOGRAPHY LINES, REF CIVIL
- SITE LINE VIEW ANGLE
- VIEW ANGLE LOCATION IN PLAN

ARCHITECT OF RECORD

brr BRR ARCHITECTURE INC.
1311 METCALF AVENUE
SUITE 200
OVERLAND PARK, KS 66204
WWW.BRRARCH.COM
TEL: 913-263-9066
FAX: 913-263-9044

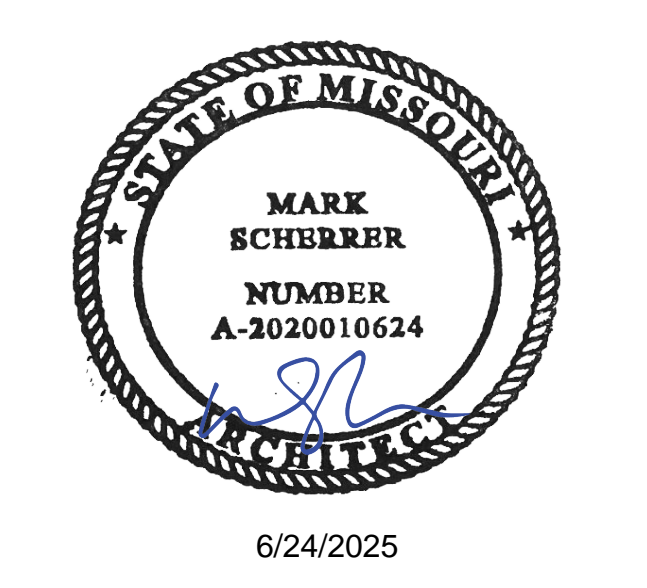
CONSULTANT

CLIENT

PROJECT TITLE

Q39 (SHELL)
LEE'S SUMMIT, MO
OLDHAM VILLAGE

PROJECT NUMBER	62500002	
PROJECT MANAGER	DRAWN BY	CHECKED BY
TM	TM	CTJ



COPYRIGHT NOTICE
THIS DRAWING WAS PREPARED FOR USE ON A SPECIFIC SITE. CONTAINED HEREIN WITH ITS TITLE AND ANY OTHER INFORMATION IS FOR USE ON A SPECIFIC PROJECT SITE OR IN A LIMITED TIME PERIOD. ANY REUSE OF THIS DRAWING FOR ANY OTHER PROJECT WITHOUT THE WRITTEN PERMISSION OF BRR ARCHITECTURE INC. IS PROHIBITED AND MAY BE CONSIDERED AS A VIOLATION OF THE ARCHITECTURE ACT AND ENGINEERING ACT OF THE STATE OF MISSOURI. BRR ARCHITECTURE INC. ACCEPTS NO LIABILITY FOR USER'S MISUSE OR ALTERS OF THIS FILE. ALL RIGHTS ARE RESERVED AND WILL BE ENFORCED TO THE FULLEST EXTENT OF THE LAW.

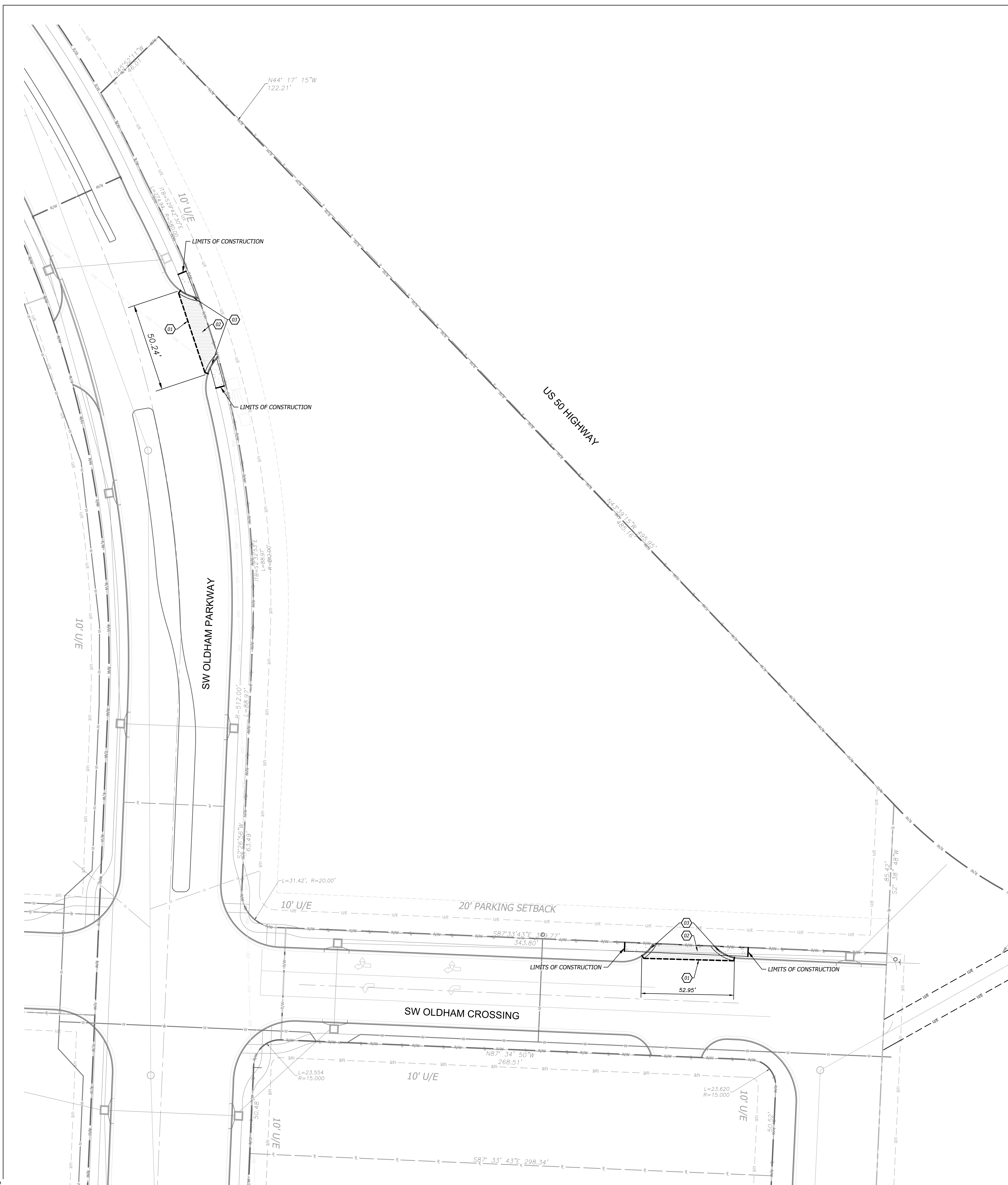
NUMBER	DATE	DESCRIPTION
1	ISSUES	ORIGINAL ISSUE
1	ISSUES	ADDENDUM 1

SHEET NAME

SIGHT LINE STUDY

SHEET NUMBER

A003



DEMOLITION GENERAL NOTES

1. Contractor shall verify the location, size, material and depth of all utilities prior to any excavation or construction activity.
2. All materials shall be removed and disposed of off-site. It is the contractor's responsibility to meet all applicable laws and regulations pertaining to the disposal of construction/demolition material.
3. The contractor shall ensure that any structures to remain which are damaged during demolition operations shall be repaired to meet current code, at no additional cost to the owner.
4. The contractor shall remove any and all existing debris which is encountered from the existing site. This shall include, but shall not be limited to, footings, concrete slabs, conduits, granular subgrade, utility services, and/or unsuitable structural fill material as determined by the owner's engineer. The cost for these removals shall be considered incidental to the project. Said debris shall become property of the contractor and it shall be the responsibility of the contractor to dispose of properly off-site.
5. It shall be the contractor's responsibility to meet all applicable laws and regulations pertaining to the disposal of construction/demolition material.
6. The contractor shall be responsible for obtaining and payment of any permits for demolition that pertain to this project.
7. All protection fencing shall be installed prior to demolition/construction activity. The contractor shall provide a 6-foot security fence around the entire job site with locked gated access points, if required by the owner or the City.
8. All existing utilities removed during construction shall have their trenches backfilled with structural fill and be compacted to the requirements for structural fill.
9. All removals required to properly perform the work (whether shown on the plans or not) shall be performed by the contractor at no additional cost to the owner.

DEMOLITION NOTES

- 01 SAW CUT EXISTING PAVEMENT TO FULL DEPTH AND CLEAN EDGE.
- 02 REMOVE & DISPOSE OF EXISTING ASPHALT.
- 03 REMOVE & DISPOSE OF EXISTING CURB.

DEMOLITION LEGEND

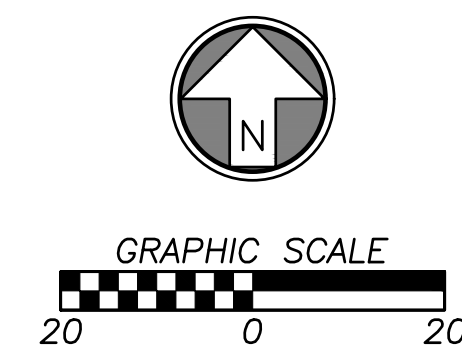
- SAW CUT LINE
- [Pattern] ASPHALT PAVEMENT TO BE REMOVED
- [Pattern] CONCRETE SIDEWALK TO BE REMOVED

LEGEND

- RW --- RIGHT - OF - WAY LINE
- P --- PROPERTY LINE
- O --- EXISTING OVERHEAD UTILITY LINES
- U --- EXISTING UNDERGROUND ELECTRICAL LINE
- G --- EXISTING GAS LINE
- W --- EXISTING WATER LINE

LEGAL DESCRIPTION

The site is Lot 5 and Lot 5A of the Okdham Village, 1st Plat, Lots 1-13 & Tracts A-D



ARCHITECT OF RECORD
brr
 BRR ARCHITECTURE INC.
 800 WESTGATE AVENUE
 SUITE 200
 OVERLAND PARK, KS 66210
 WWW.BRRARCH.COM
 TEL: 913-282-9895
 FAX: 913-282-9844

CONSULTANT
BHC
 CIVIL ENGINEERING / SURVEYING / UTILITIES
 7101 College Blvd., Suite 400
 Overland Park, Kansas 66210
 p. (913) 663-1900
 BHC is a trademark of Brudergren Associates & Company, P.A.

CLIENT

PROJECT TITLE

Q39 (SHELL)
LEE'S SUMMIT, MO
 OLDHAM VILLAGE
 LEE'S SUMMIT, MO

PROJECT NUMBER	62910099		
PROJECT MANAGER	DRAWN BY	CHECKED BY	
BRR	BRR		
PROFESSIONAL SEAL			



COPYRIGHT NOTICE
 THIS DRAWING WAS PREPARED FOR USE ON A SPECIFIC SITE. CONTRACTOR'S RESPONSIBILITY IS TO VERIFY THE DATA AND TO BE RESPONSIBLE FOR ANY USE ON A DIFFERENT PROJECT SITE OR AT A LATER TIME. USE OF THIS DRAWING FOR ANY OTHER PROJECT WITHOUT THE WRITTEN PERMISSION OF THE ARCHITECT OR ENGINEER IS PROHIBITED AND MAY BE CONSIDERED A VIOLATION OF THE PROFESSIONAL ENGINEER'S ETHICS AND MAY BE CAUSE FOR DISCIPLINARY ACTION.

DISCLAIMER
 BRR DOES NOT GUARANTEE THAT THIS DRAWING IS SUFFICIENT OR APPROPRIATE FOR USER'S PURPOSES. USER USES OR ALTERS THESE FILES AT USER'S SOLE RISK AND AGREES TO HOLD BRR HARMLESS FROM USER'S USE.

ISSUES AND REVISIONS

NUMBER	DATE	ISSUES	ORIGINAL ISSUE	DESCRIPTION
1	08/20/25	ADDENDUM 1		

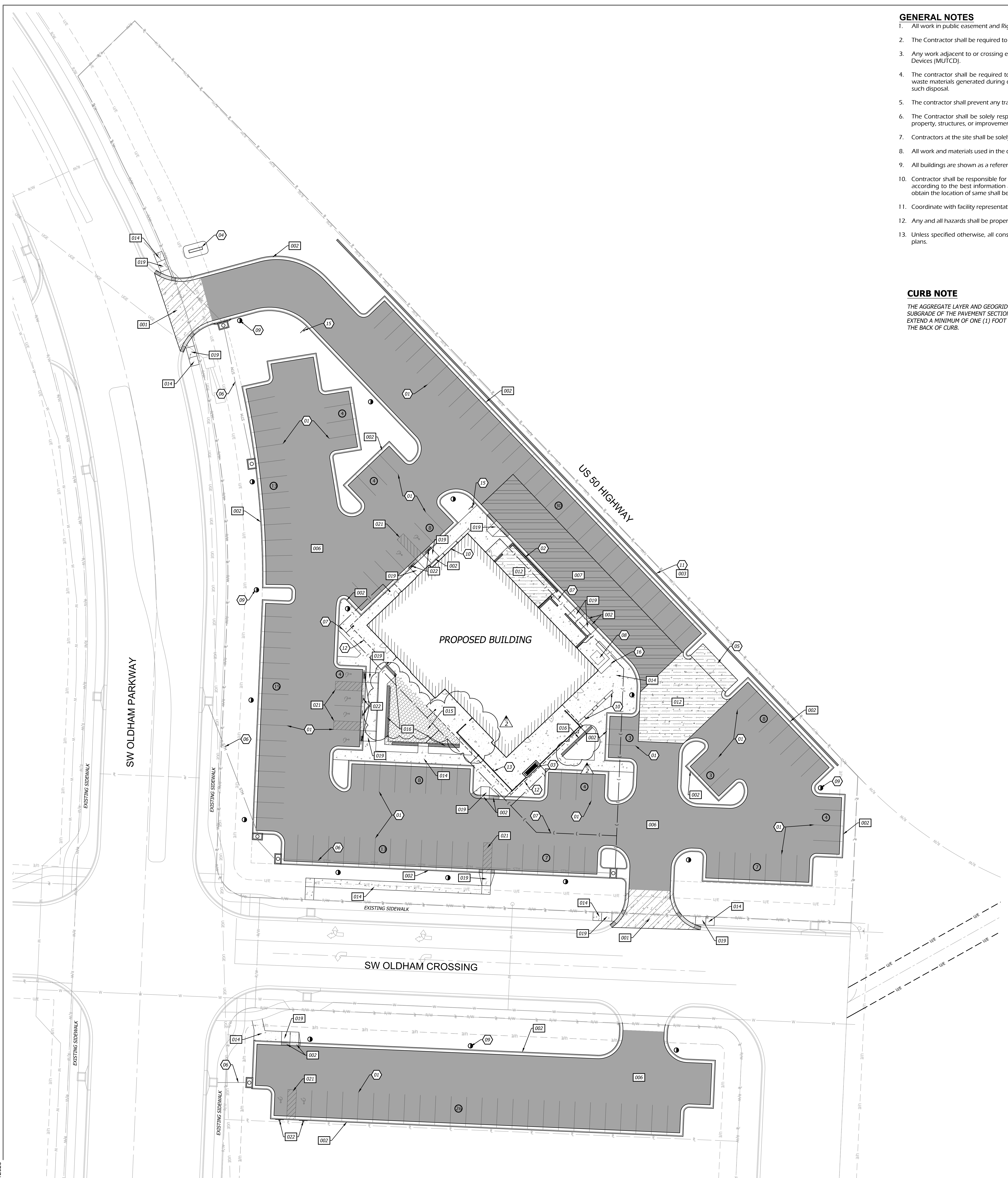
SHEET NAME

DEMOLITION PLAN
 SHEET NUMBER

C100

04/04/2025

BRR ORIGINAL PRINTED ON RECYCLED PAPER



GENERAL NOTES

- All work in public easement and Right-of-Way shall be installed per the requirements and specifications of the City of Lee's Summit, Missouri.
- The Contractor shall be required to obtain all Federal, State, and Local permits required for this project prior to commencing construction.
- Any work adjacent to or crossing existing streets requires proper traffic control devices. Traffic control devices shall be placed in accordance with the Manual of Uniform Traffic Control Devices (MUTCD).
- The contractor shall be required to demolish, remove and dispose of all existing structures, pavements, and features necessary to construct the improvements shown hereon. Any waste materials generated during construction shall be removed from the site by the Contractor and disposed of in accordance with all local, State, and Federal regulations governing such disposal.
- The contractor shall prevent any trash, debris, or liquid wastes from being disposed of in sanitary sewers, storm sewers, or open drainage systems.
- The Contractor shall be solely responsible to protect adjacent property, structures, and other improvements from damage during construction. In the event of damage to adjacent property, structures, or improvements, the contractor shall repair or replace such damage to the Owner's satisfaction at the Contractor's expense.
- Contractors at the site shall be solely responsible for jobsite safety for all aspects of work shown hereon.
- All work and materials used in the construction of the improvements shown hereon shall comply with all referenced standards, specifications, and plan notes.
- All buildings are shown as a reference only. All buildings shall be located and constructed per the Architectural drawings prepared by others.
- Contractor shall be responsible for contacting all utility companies for field locations of underground utilities affected by the contract. All existing utilities indicated on these plans are according to the best information available to the engineer; however, all utilities actually existing may not be shown. Utilities damaged through the negligence of the contractor to obtain the location of same shall be repaired or replaced at the expense of the contractor.
- Coordinate with facility representative as to when construction activities may be performed to work with the operations of the facility.
- Any and all hazards shall be properly identified and barricaded from access during all non-construction periods.
- Unless specified otherwise, all construction shall meet the requirements of the Missouri Department of Transportation (MODOT) Standard Specifications, except as modified by these plans.

CURB NOTE

THE AGGREGATE LAYER AND GEOGRID SUBGRADE OF THE PAVEMENT SECTION SHALL EXTEND A MINIMUM OF ONE (1) FOOT BEYOND THE BACK OF CURB.

SITE DATA

SITE	
SITE AREA:	2.94 AC 127,903 SF
IMPERVIOUS AREA:	
EXISTING:	127,903 SF (100.0%)
PROPOSED:	84,897 SF (66.4%)
BUILDING	
BUILDING AREA:	8,335 SF (6.5%)
PARKING	
PARKING PROVIDED:	129 STANDARD (ON-SITE) 8 HANDICAP (1 VAN) 24 STANDARD (OFF-SITE) 161 TOTAL STALLS
PARKING REQUIRED:	
CUSTOMER & EMPLOYEE STALLS:	117
(14 PER 1,000 SF OF GROSS FLOOR AREA)	
ADA STALLS:	8 (1 VAN)
(BASED ON 154 STANDARD STALLS & 2 FACILITIES)	

ZONING

CONSTRUCTION NOTES

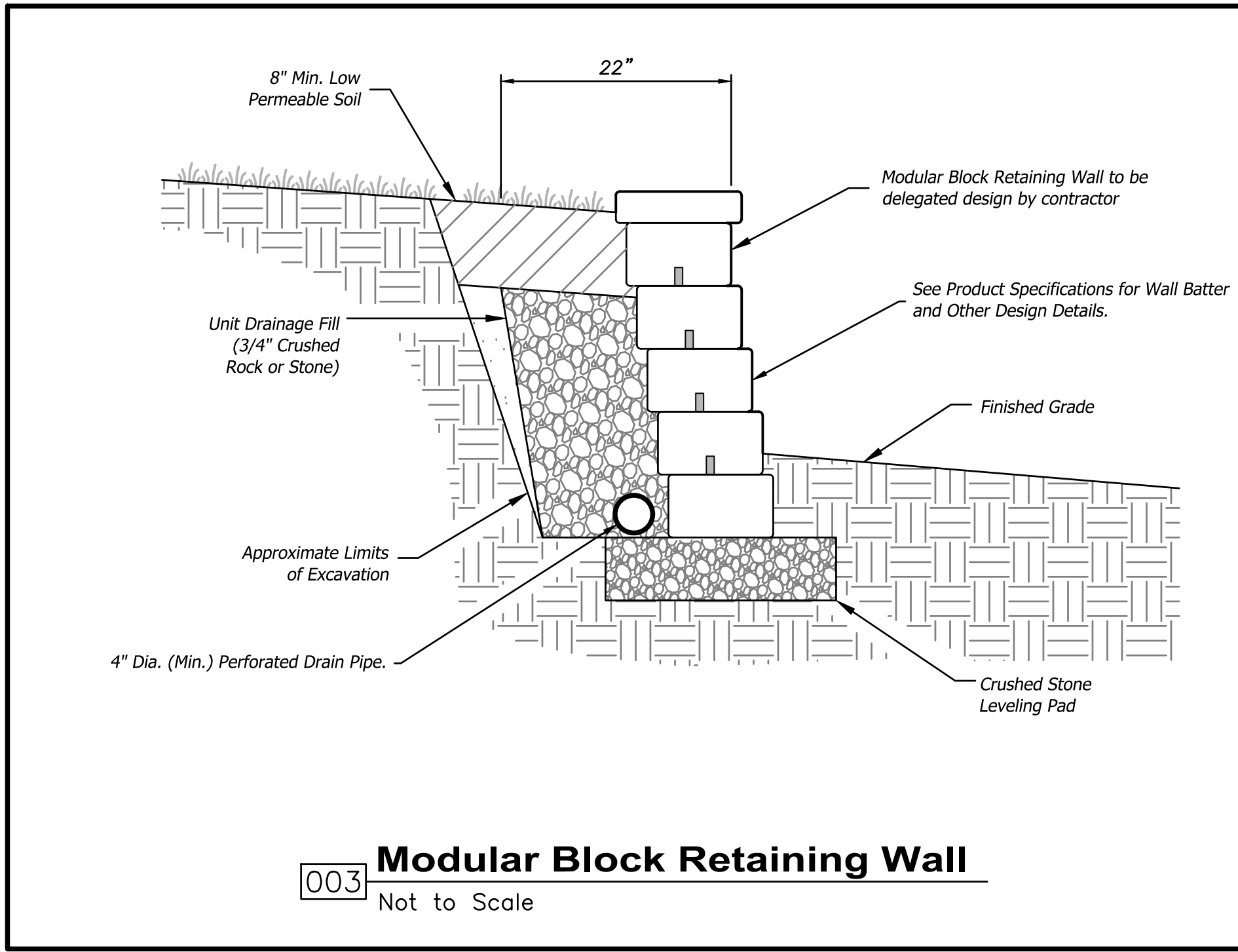
- LEAD FREE, WATER-BORNE EMULSION BASED TRAFFIC PAINT FOR PARKING LOT STRIPING (WHITE ON ASPHALT & YELLOW ON CONCRETE).
- PROPOSED SCREEN WALL; REFER TO ARCHITECTURAL PLANS.
- PROPOSED OUTDOOR FIREPLACE; REFER TO ARCHITECTURAL PLANS.
- PROPOSED MONUMENT SIGN; REFER TO ARCHITECTURAL PLANS.
- PROPOSED TRASH ENCLOSURE; REFER TO ARCHITECTURAL PLANS.
- PROPOSED STORM SYSTEM; REFER TO SHEET C700-C701
- PROPOSED ROOF DRAIN SYSTEM; REFER TO SHEET C702
- PROPOSED TRANSFORMER PAD LOCATION; CONSTRUCTED TO ENERGY STANDARDS.
- PROPOSED LIGHT POLES; REFER TO LIGHTING PLANS E002.
- PROPOSED PLANTERS; REFER TO ARCHITECTURAL PLANS.
- PROPOSED MODULAR BLOCK RETAINING WALL; REFER TO DETAIL 003 ON C200
- PROPOSED BUILDING CANOPY; REFER TO ARCHITECTURAL PLANS
- PROPOSED IRON FENCE; REFER TO ARCHITECTURAL PLANS; CONTRACTOR TO COORDINATE SLAB THICKNESS REQUIRED FOR RAILING ANCHORS.
- NOT USED
- "NO PARKING FIRE LANE" SIGNS.
- SCREENING FOR TRANSFORMER; REFER TO L100

DETAILS

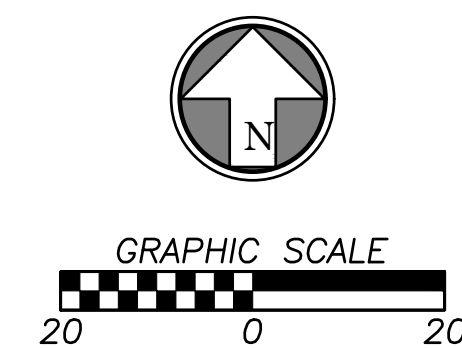
- SEE CONSTRUCTION DETAILS - SHEETS C901-C903
- DRIVEWAY ENTRANCE
 - CONCRETE CURB & GUTTER; RE. LEGEND FOR TYPE
 - MODULAR BLOCK RETAINING WALL
 - MEDIUM DUTY ASPHALT PAVEMENT
 - HEAVY DUTY ASPHALT PAVEMENT
 - CONCRETE PAD
 - CONCRETE SIDEWALK
 - PAVER AREA
 - CONCRETE SEAT WALL
 - STEEL/CONCRETE BOLLARD
 - SIDEWALK RAMP
 - (ADA) HANDICAP PARKING STRIPING
 - (ADA) HANDICAP PARKING SIGNAGE

SITE LEGEND

- PARKING STALL COUNT
- PROPOSED BUILDING
- MEDIUM DUTY ASPHALT PAVEMENT
- HEAVY DUTY ASPHALT PAVEMENT
- CONCRETE SIDEWALK
- CONCRETE PAD
- STANDARD CURB & GUTTER
- ZERO HEIGHT CURB
- TRANSITION CURB



003 Modular Block Retaining Wall
Not to Scale



ARCHITECT OF RECORD

brr

BRR ARCHITECTURE INC.
816 WESTGATE AVENUE
OVERLAND PARK, KS 66204
WWW.BRRARCH.COM
TEL: 913-282-9995
FAX: 913-282-9844

CONSULTANT

BHC

CIVIL ENGINEERING / SURVEYING / UTILITIES
7101 College Blvd., Suite 400
Overland Park, Kansas 66210
P: 913-663-1900
BHC is a member of Hanger Group & Company, P.A.

CLIENT

PROJECT TITLE

Q39 (SHELL)
LEE'S SUMMIT, MO
OLDHAM VILLAGE
LEE'S SUMMIT, MO

PROJECT NUMBER	62910099
PROJECT MANAGER	CHOWN BY
BRR	BRR
PROFESSIONAL SEAL	CHECKED BY



COPYRIGHT NOTICE

THIS DRAWING WAS PREPARED FOR USE ON A SPECIFIC SITE. CONTRACTOR/OWNER/USER SHALL BE RESPONSIBLE FOR THE USE OF THIS DRAWING ON ANY OTHER PROJECTS OR AT A LATER TIME. USE OF THIS DRAWING FOR ANY OTHER PROJECTS WITHOUT THE WRITTEN PERMISSION OF BRR ARCHITECTURE INC. IS PROHIBITED. THE SERVICES OF PROFFERLY LICENSED ARCHITECTS AND ENGINEERS ARE REQUIRED FOR THIS DRAWING FOR REUSE ON ANY OTHER PROJECT. BRR ARCHITECTURE INC. AND ITS EMPLOYEES SHALL NOT BE RESPONSIBLE FOR ANY REUSE OF THIS DRAWING.

BRR DOES NOT GUARANTEE THAT THIS DRAWING IS SUFFICIENT OR APPROPRIATE FOR USER'S PURPOSES. USER USES OR ALTERS THESE FILES AT USER'S SOLE RISK AND AGREES TO HOLD BRR ARCHITECTURE INC. HARMLESS FROM USER'S USE.

ISSUES AND REVISIONS

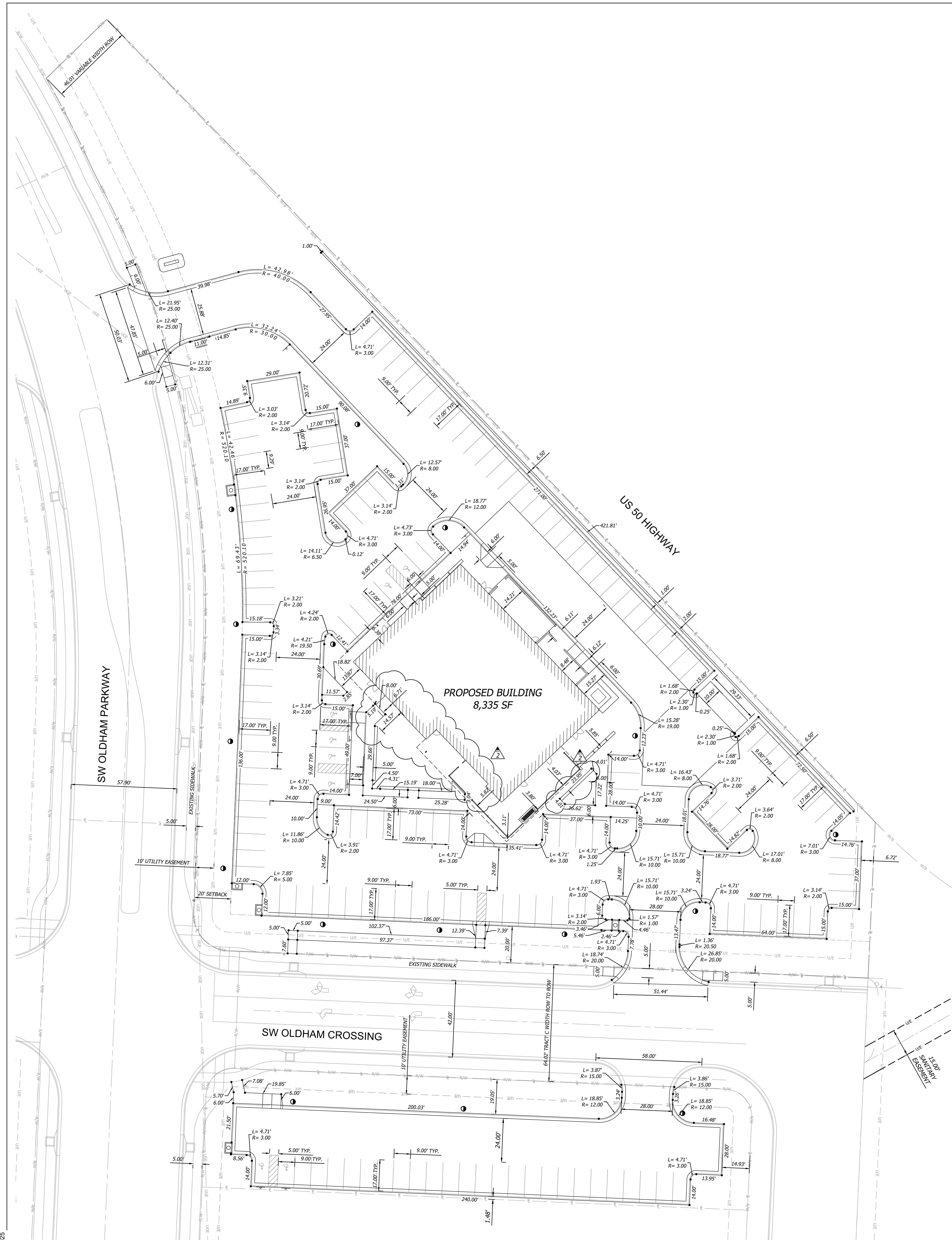
NUMBER	DATE	ISSUES	ORIGINAL ISSUE	DESCRIPTION
1	06/20/25	ADDENDUM 1		
2	10/15/25	ADDENDUM 2		

SHEET NAME

SITE PLAN

SHEET NUMBER

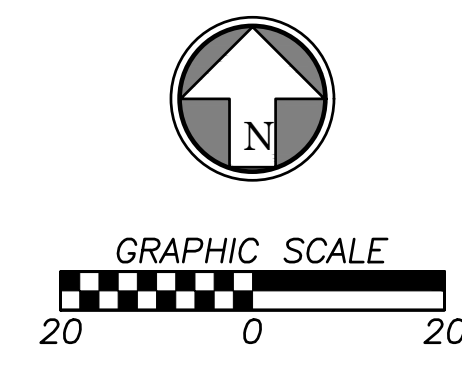
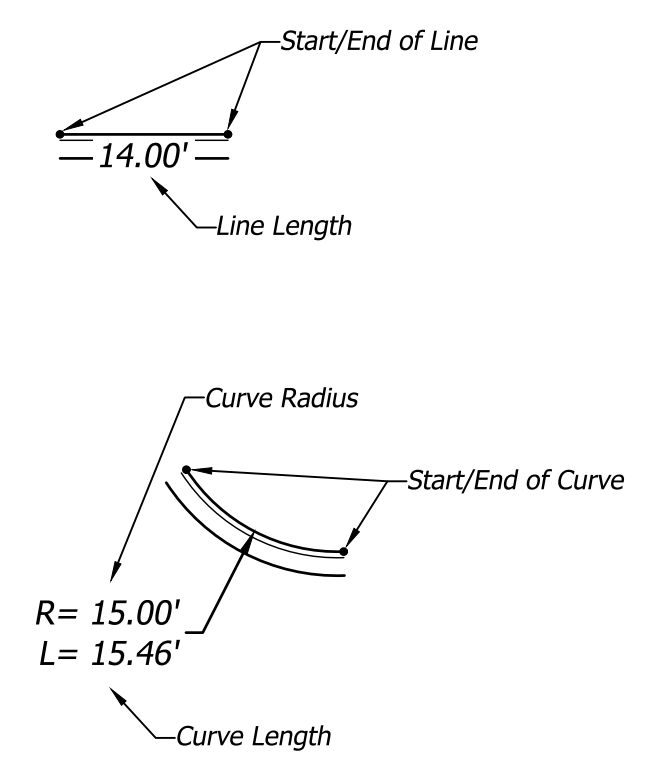
C200



DIMENSION NOTES

1. All dimensions are to/along back of curb unless otherwise noted.
2. All dimensions are to bottom of wall unless otherwise noted.

DIMENSION LEGEND



ARCHITECT OF RECORD
brr
 BRR ARCHITECTURE INC.
 818 WESTGATE AVENUE
 SUITE 200
 OVERLAND PARK, KS 66204
 WWW.BRRARCH.COM
 TEL: 913-242-9995
 FAX: 913-242-9944

CONSULTANT
BHC
 CIVIL ENGINEERING / SURVEYING / UTILITIES
 7101 College Blvd., Suite 400
 Overland Park, Kansas 66210
 p. (913) 663-1900
 BHC is a member of Hargrett Associates & Company, P.A.

CLIENT

Q39 (SHELL)
LEE'S SUMMIT, MO
 OLDHAM VILLAGE
 LEE'S SUMMIT, MO

PROJECT NUMBER	62910099
PROJECT MANAGER	DAVID B. BARR
DESIGNER	BRR
CHECKED BY	BRR
PROFESSIONAL SEAL	



COPYRIGHT NOTICE
 THIS DRAWING WAS PREPARED FOR USE ON A SPECIFIC SITE. IT IS THE PROPERTY OF BRR ARCHITECTURE INC. AND IS NOT TO BE REPRODUCED OR USED FOR ANY OTHER PROJECT WITHOUT THE WRITTEN PERMISSION OF BRR ARCHITECTURE INC. THE USER OF THIS DRAWING FOR ANY OTHER PROJECT WITHOUT THE WRITTEN PERMISSION OF BRR ARCHITECTURE INC. IS IN VIOLATION OF THE COPYRIGHT LAWS OF THE UNITED STATES OF AMERICA AND MAY BE SUBJECT TO PROSECUTION AND PENALTIES THEREUNDER.

ISSUES AND REVISIONS

NUMBER	DATE	ISSUE	ORIGINAL ISSUE	DESCRIPTION
1	06/20/20	ADDENDUM 1		
2	10/13/20	ADDENDUM 2		

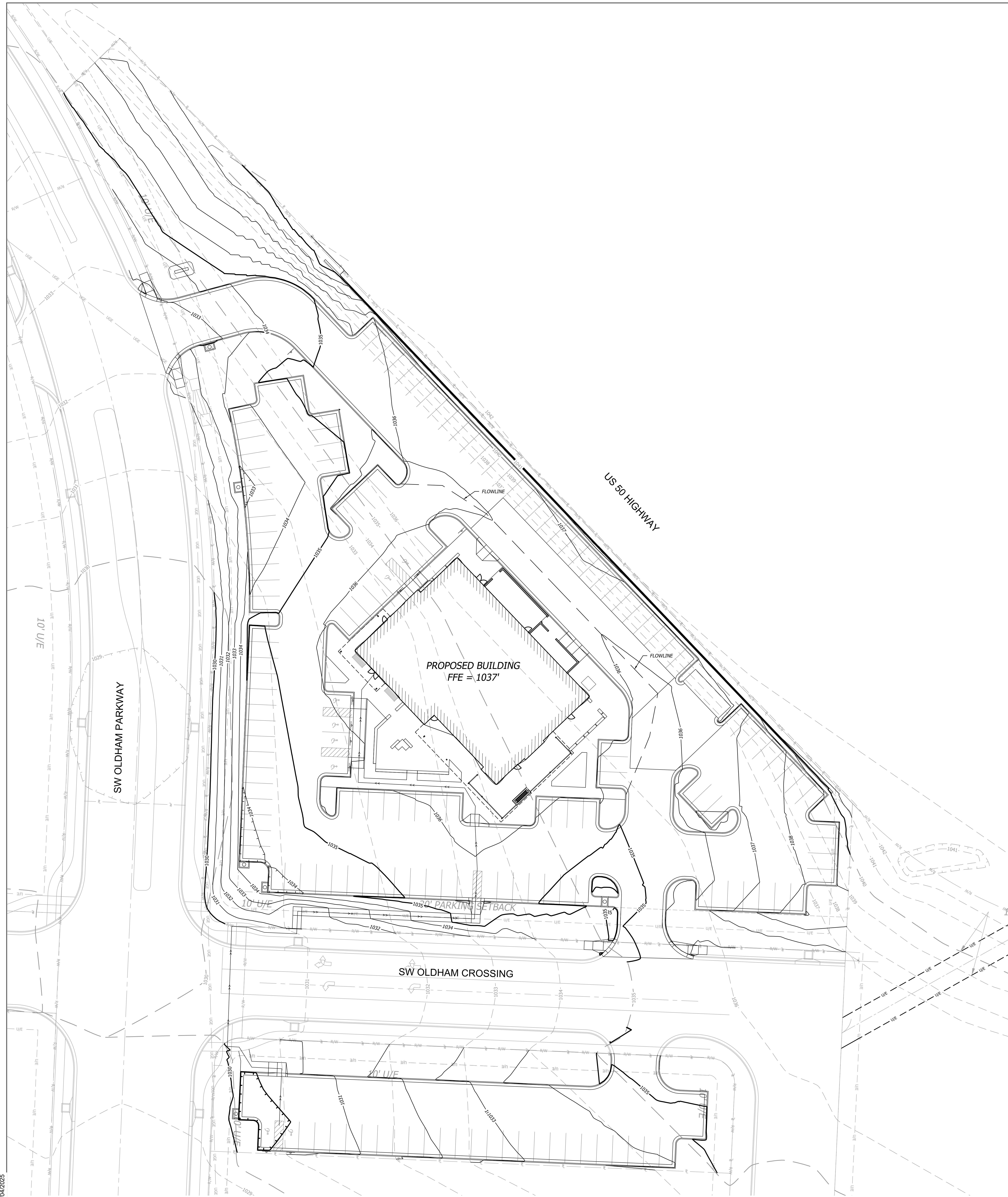
DIMENSION PLAN

SHEET NUMBER

C300

04/04/2025

BRR ORIGINAL PRINTED ON RECYCLED PAPER



GRADING NOTES

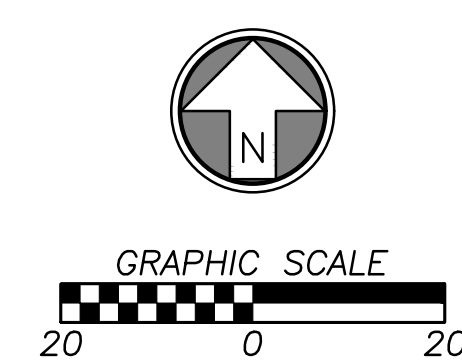
- Contractor shall obtain a copy of the Geotechnical Services Report for the project and be familiar with the existing conditions and recommendations contained in the report if such a report has been prepared.
- Contractor is responsible for any over excavation of existing unsuitable soils will be required under building and pavement areas. Contractor shall perform over excavation of unsuitable soils as a part of this work.
- Contractor shall obtain soils suitable as structural fill from off-site sources. All borrow materials must be tested and approved by the Geotechnical Engineer prior to importing the soils to the project site.
- Contractor shall operate under the terms and permits included in the Stormwater Pollution Prevention Plan (SWPPP) prepared for this project and permitted through the State of Missouri. Contractor shall employ a qualified person to conduct regular inspections of the site erosion control measures and document such inspections in the SWPPP document maintained by the Contractor.
- All topsoil, vegetation, root structures, and deleterious materials shall be stripped from the ground surface prior to the placement of embankments. Contractor shall obtain the on-site geotechnical representative's acceptance of the existing ground surface materials and the proposed fill material prior to the placement of fill.
- All proposed contour lines and spot elevations shown are finish ground elevations. Contractor shall account for pavement depths, building pads, topsoil, etc when grading the site.
- All disturbed areas that are not to be paved (green spaces) shall be finish graded with a minimum of six inches of topsoil.
- All excavation and embankments shall comply with the recommendations provided by the geotechnical engineer.
- Contractor shall meet requirements as outlined in City of Lee's Summit, Missouri Standard Specifications Section 2102.4 - Excavation, Trenching, and Backfilling where applicable.
- All existing elevations are not surveyed, they are contours based on the Mass Grading plan provided by Engineering Solutions on 1/22/2025.
- The area one (1) foot minimum beyond the back of curb shall include proper subgrade and geogrid/chemically stabilized subgrade.

FLOOD STATEMENT

The subject property lies within Flood Zone "X" (unshaded) (Areas determined to be outside the 0.2% annual chance floodplain), as shown on the Jackson County, Missouri and Incorporated Areas Flood Insurance Rate Map (F.I.R.M.).
 Map Number: 29095CD419G
 Panel No: 419 of 605
 Map Revised Date: January 20, 2017
NOTE: This statement is provided for informational purposes only and shall in no way constitute a basis for a flood certificate. No field work was performed to establish the boundaries of this zone. The information was derived by scaling the subject property on the above referenced map.

GRADING LEGEND

- STANDARD CURB & GUTTER
- TRANSITION CURB
- ZERO HEIGHT CURB
- DRAINAGE DIRECTION
- FINISH GRADE MAJOR CONTOURS
- FINISH GRADE MINOR CONTOURS
- EXISTING GRADE MAJOR CONTOURS
- EXISTING GRADE MINOR CONTOURS
- PROPERTY LINE
- RIGHT-OF-WAY LINE
- ACCESSIBLE ADA ROUTE



ARCHITECT OF RECORD
brr
 BRR ARCHITECTURE INC.
 818 WESTLAF AVENUE
 SUITE 200, P.O. BOX 48384
 OVERLAND PARK, KS 66208
 WWW.BRRARCH.COM
 TEL: 913-242-9999
 FAX: 913-242-9844

CONSULTANT
BHC
 CIVIL ENGINEERING / SURVEYING / UTILITIES
 7101 College Blvd., Suite 400
 Overland Park, Kansas 66210
 p. (913) 663-1900
 BHC is a trademark of Brudersoft International & Company, P.A.

CLIENT

PROJECT TITLE

Q39 (SHELL)
LEE'S SUMMIT, MO
 OLDHAM VILLAGE
 LEE'S SUMMIT, MO

PROJECT NUMBER	62910099
PROJECT MANAGER	CHOWN BY
BRR	CHECKED BY
BRR	
PROFESSIONAL SEAL	



COPYRIGHT NOTICE
 THIS DRAWING WAS PREPARED FOR USE ON A SPECIFIC SITE. CONTRACTOR'S RESPONSIBILITY IS TO OBTAIN DATA AND TO VERIFY THAT THE DATA IS FOR USE ON A DIFFERENT PROJECT SITE OR AT A LATER TIME. USE OF THIS DRAWING FOR ANY OTHER PROJECT OR FOR ANY OTHER PURPOSE WITHOUT THE WRITTEN PERMISSION OF BRR ARCHITECTURE INC. IS PROHIBITED AND MAY BE CONSIDERED A VIOLATION OF THE PROFESSIONAL ENGINEER'S ETHICS AND MAY BE CAUSAL TO THE LOSS OF LICENSE.

BRR DOES NOT GUARANTEE THAT DATA IS SUFFICIENT OR APPROPRIATE FOR USER'S PURPOSES. USER USES OR ALTERS THESE FILES AT USER'S SOLE RISK AND AGREES TO ASSUME ALL BRR FROM LIABILITY ARISING FROM USER'S USE.

ISSUES AND REVISIONS

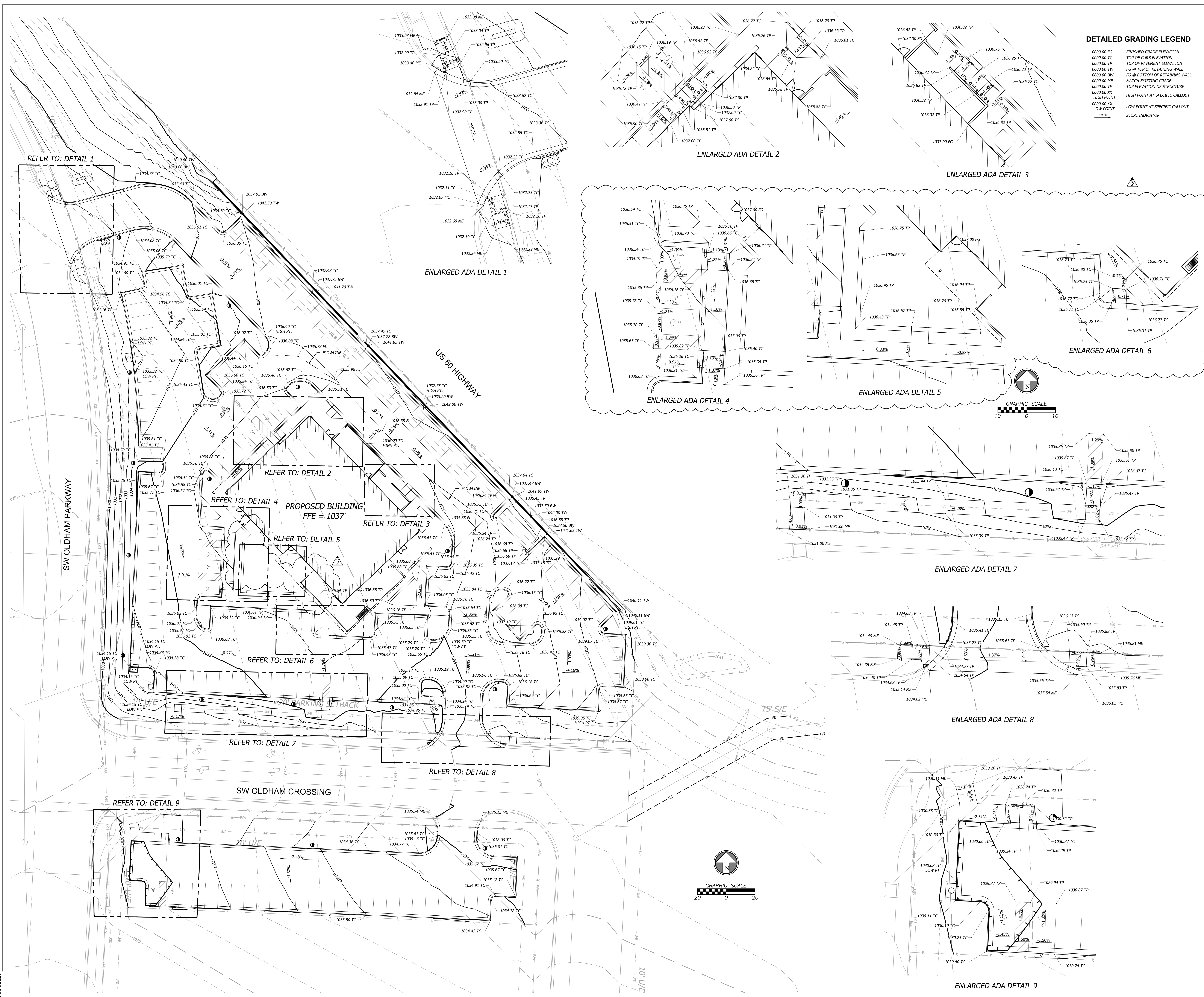
NUMBER	DATE	ISSUES	ORIGINAL ISSUE	DESCRIPTION
1	08/20/25		ADDENDUM 1	

SHEET NAME

GRADING PLAN

SHEET NUMBER

C400



DETAILED GRADING LEGEND

0000.00 FG	FINISHED GRADE ELEVATION
0000.00 TC	TOP OF CURB ELEVATION
0000.00 TP	TOP OF PAVEMENT ELEVATION
0000.00 TW	FG @ TOP OF RETAINING WALL
0000.00 BW	FG @ BOTTOM OF RETAINING WALL
0000.00 ME	MATCH EXISTING GRADE
0000.00 TE	TOP ELEVATION OF STRUCTURE
0000.00 XX	HIGH POINT AT SPECIFIC CALLOUT
0000.00 XX	LOW POINT AT SPECIFIC CALLOUT
1.00%	SLOPE INDICATOR

ARCHITECT OF RECORD

brr

BRR ARCHITECTURE INC.
 800 WESTPARK AVENUE
 SUITE 100
 OVERLAND PARK, KS 66204
 TEL: 913-242-9999
 FAX: 913-242-9944

CONSULTANT

BHC

CIVIL ENGINEERING / SURVEYING / UTILITIES
 7101 College Blvd., Suite 400
 Overland Park, Kansas 66210
 P: (913) 663-1900
 BHC is a member of Hanger Group & Company, P.A.

CLIENT

PROJECT TITLE

Q39 (SHELL)
LEE'S SUMMIT, MO
 OLDHAM VILLAGE
 LEE'S SUMMIT, MO

PROJECT NUMBER: 62910099

PROJECT MANAGER: BRR

DESIGNER: BRR

CHECKED BY: BRR

PROFESSIONAL SEAL:



COPYRIGHT NOTICE

THIS DRAWING WAS PREPARED FOR USE ON A SPECIFIC SITE. CONSULTING ENGINEERS WILL BE RESPONSIBLE FOR THE ACCURACY OF THE DATA AND THE DESIGN OF THE PROJECT. THE USER OF THIS DRAWING ON A DIFFERENT PROJECT SITE OR AT A LATER TIME, WITHOUT THE WRITTEN PERMISSION OF BRR ARCHITECTURE INC., IS AT THE USER'S SOLE RISK AND WITHOUT LIABILITY TO BRR ARCHITECTURE INC. OR ANY OTHER PARTY. THE SERVICES OF PROPERLY LICENSED ARCHITECTS AND ENGINEERS ARE REQUIRED FOR THE DESIGN OF THIS DRAWING FOR USE ON ANY OTHER PROJECT NOT AUTHORIZED AND MAY BE CONSIDERED A VIOLATION OF THE PROFESSIONAL SEAL.

BRR DOES NOT GUARANTEE THAT THIS DRAWING IS SUFFICIENT OR APPROPRIATE FOR USES PURPOSES OTHER THAN THOSE FOR WHICH IT WAS DESIGNED. BRR ARCHITECTURE INC. AND ITS EMPLOYEES SHALL NOT BE RESPONSIBLE FOR ANY DAMAGE OR LIABILITY ARISING FROM THE USE OF THIS DRAWING.

ISSUES AND REVISIONS

NUMBER	DATE	DESCRIPTION
1	08/20/19	ORIGINAL ISSUE
2	10/15/19	ADDENDUM 1
3		ADDENDUM 2

SHEET NAME

DETAILED GRADING

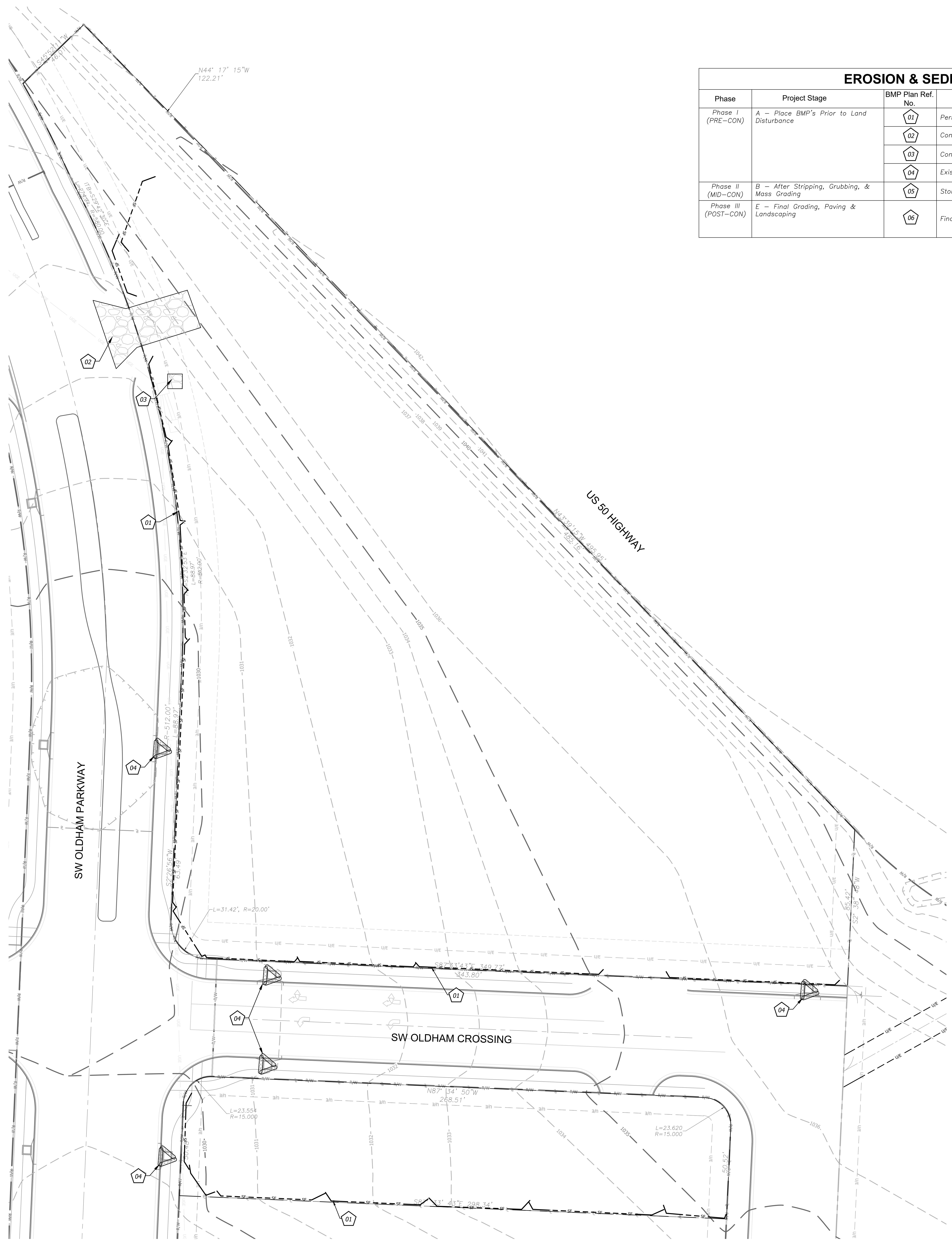
SHEET NUMBER

C401

04/04/2025

BRR ORIGINAL PRINTED ON RECYCLED PAPER

EROSION & SEDIMENT CONTROL STAGING CHART					
Phase	Project Stage	BMP Plan Ref. No.	BMP Description	Remove After Stage:	Notes:
Phase I (PRE-CON)	A - Place BMP's Prior to Land Disturbance	01	Perimeter Silt Fence	E	Place as shown on plan
		02	Concrete Entrance & Staging Area	D	Place as shown on plan
		03	Concrete Wash-Out	D	Place as shown on plan
		04	Existing Inlet Protection	E	Place as shown on plan
Phase II (MID-CON)	B - After Stripping, Grubbing, & Mass Grading	05	Storm Inlet Protection	E	Place as shown on plan
Phase III (POST-CON)	E - Final Grading, Paving & Landscaping	06	Final Seeding, Sod, and Landscaping	N/A	Silt fencing & inlet protect may be removed once seed & sodded areas are established on 80% of site. (RE: L1.1 Landscape Plan for the stormwater treatment facility)



EROSION AND SEDIMENT CONTROL GENERAL NOTES

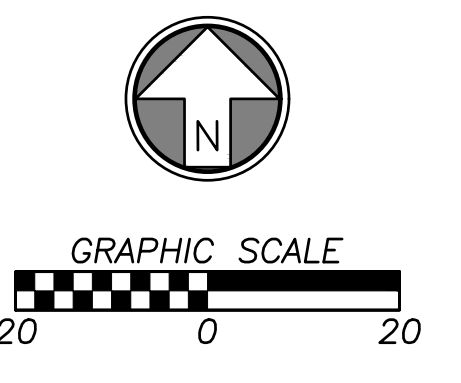
- Prior to Land Disturbance activities, the contractor shall:
 - Delineate the outer limits of any natural stream corridor designated with construction fencing.
 - Install perimeter controls and request the inspection of the pre-construction erosion and sediment control measures designated on the approved erosion and sediment control plan. Land disturbance work shall not proceed until there is a satisfactory inspection.
 - Identify the limits of construction on the ground with easily recognizable indications such as construction staking, construction fencing, and placement of physical barriers or other means acceptable to the City inspector and in conformance with the erosion and sediment control plan.
- The contractor shall comply with all requirements of the Storm Water Pollution Prevention Plan, including but not limited to:
 - The contractor shall seed, mulch, or otherwise stabilize any disturbed area where the land disturbance activity has ceased for more than 14 days.
 - The contractor shall perform inspections of erosion and sediment control measures at the following minimum intervals:
 - o During active construction phases - at least once per week
 - o During periods of inactivity - at least once per 14 days
 - o After each rainfall event of 1/2 inch or more - within 24 hours of the rain event
 - The contractor shall maintain an inspection log including the inspector's name, date of inspection, observations as to the effectiveness of the erosion and sediment control measures, actions necessary to correct deficiencies, when the deficiencies were corrected, and the signature of the person performing the inspection. The inspection log shall be available for review by the regulatory authority.
 - The contractor shall have the erosion and sediment control plan routinely updated to show all changes and amendments to the plan. A copy of the erosion and sediment control plan shall be kept on site and made available for review by the regulatory authority.
- Unless otherwise noted in the plans, all seeding must conform to Division II-Construction and Materials Specification-Section 2150 published by the Kansas City Metropolitan Chapter of the American Public Works Association dated May 21, 2008. Permanent seeding shall be installed after completion of final grading except when seeding will occur outside of the acceptable seeding season as specified in Section 2150. When temporary seeding is installed, permanent seeding shall be installed at the next seeding season. Temporary seeding shall not be used as a stabilization measure for a period exceeding 12 months. The Permit will not be closed until permanent seeding has been established to a minimum of 70% density over the entire disturbed area.
- The contractor shall maintain installed erosion and sediment control devices in a manner that preserves their effectiveness for preventing sediment from leaving the site or entering a sensitive area such as a natural stream corridor, areas of the site intended to be left undisturbed, a storm sewer, or an on-site drainage channel.
- The contractor is responsible for providing erosion and sediment control for the duration of a project. If the City determines that the BMPs in place do not provide adequate erosion and sediment control at any time during the project, the contractor shall install additional or alternate measures that provide effective control.
- Concrete wash or rinse water from concrete mixing equipment, tools and/or ready-mix trucks, tools, etc. may not be discharged into or be allowed to run directly into any existing water body or storm inlet. One or more locations for concrete wash out will be designated on site, such that discharges during concrete washout will be contained in a small area where waste concrete can solidify in place.
- Chemicals or materials capable of causing pollution may only be stored onsite in their original container. Materials stored outside must be in closed and sealed water-proof containers and located outside of drainage ways or areas subject to flooding. Locks and other means to prevent or reduce vandalism shall be used. Spills will be reported as required by law and immediate actions taken to contain them.
- Silt fences and erosion control BMPs which are shown along the back of curb must be installed within two weeks of curb backfill and prior to placement of base asphalt. Exact locations of these erosion control methods may be field adjusted to minimize conflicts with utility construction; however, anticipated disturbance by utility construction shall not delay installation.
- Interior Silt Fence as necessary during construction. Portions may be limited as vegetation is established and hardscape is installed. Entire length may be installed at the contractor's option to aid in stabilizing slopes.
- Private Erosion & Sediment Control inspections are required in accordance with NPDES schedule and requirements. After inspections, provide the City of Lee's Summit with reports and documentation.

EROSION CONTROL LEGEND

- DISTURBED AREA (2.94 AC)
- SILT/SEDIMENT FENCE
- TREE PROTECTION
- INLET PROTECTION FILTER BAGS
- CONSTRUCTION ENTRANCE
- CONCRETE CLEANOUT

DETAILS

- SEE EROSION CONTROL DETAIL SHEET FOR THE FOLLOWING:
- 600 TEMPORARY CONSTRUCTION ENTRANCE
- 601 FILTER FABRIC SILT FENCE
- 603 STORM INLET PROTECTION
- 604 CONCRETE WASH-OUT



PROJECT NUMBER: 62910099

PROJECT MANAGER: BRR DRAWN BY: BRR CHECKED BY: BRR

PROFESSIONAL SEAL:



COPYRIGHT NOTICE

THIS DRAWING WAS PREPARED FOR USE ON A SPECIFIC SITE. IT IS THE PROPERTY OF BRR ARCHITECTURE INC. AND IS NOT TO BE REPRODUCED OR USED FOR ANY OTHER PROJECT WITHOUT THE WRITTEN PERMISSION OF BRR ARCHITECTURE INC. THE SERVICES OF BRR ARCHITECTURE INC. ARE LIMITED TO THE PROJECT AND THE DATE OF THE DRAWING. BRR ARCHITECTURE INC. DOES NOT GUARANTEE THE ACCURACY OF THE INFORMATION PROVIDED IN THIS DRAWING FOR USE ON ANY OTHER PROJECT OR FOR ANY OTHER PURPOSE.

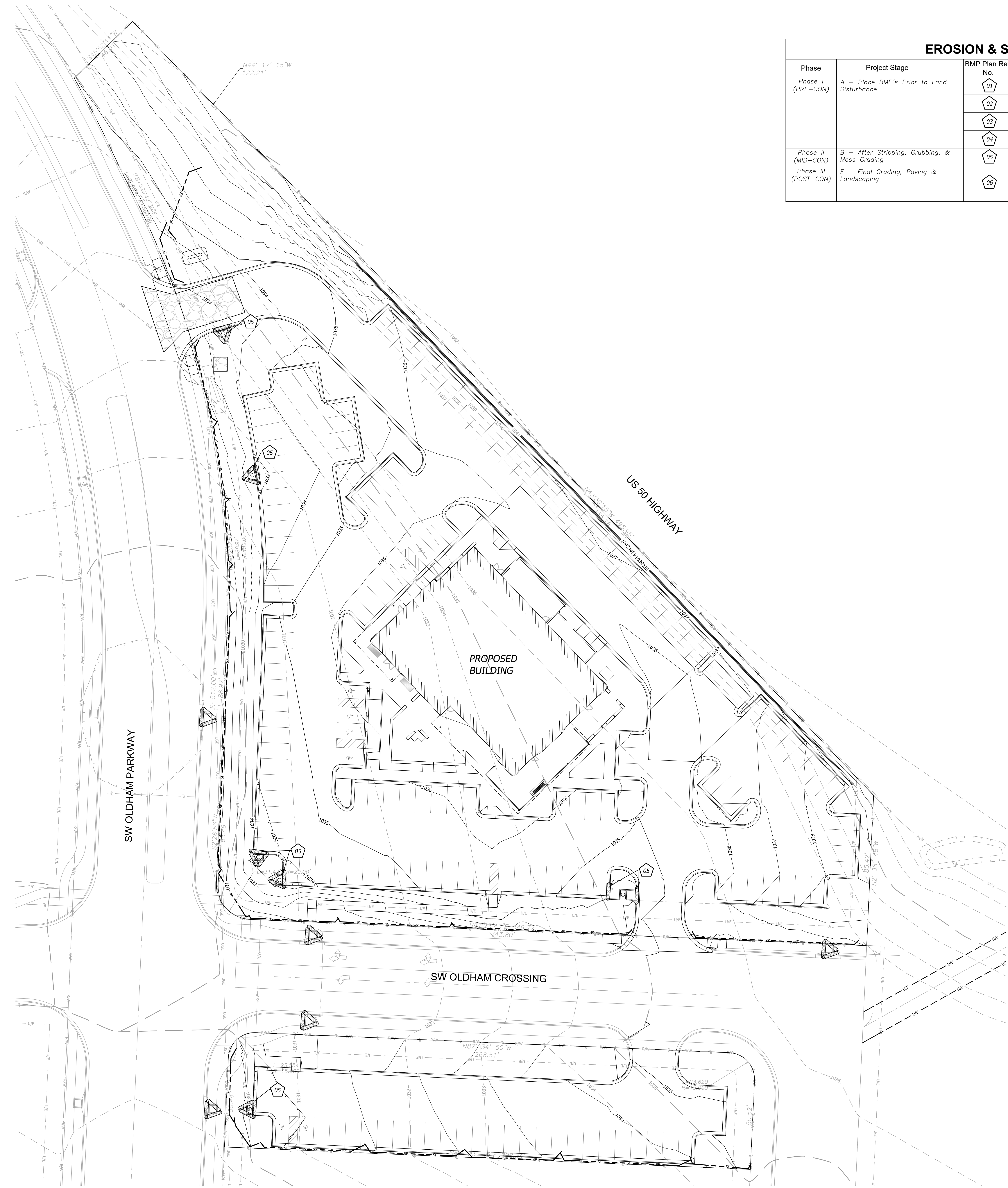
ISSUES AND REVISIONS

NUMBER	DATE	DESCRIPTION
1	08/20/25	ORIGINAL ISSUE
2		ADDENDUM 1

PRE-CONSTRUCTION EROSION CONTROL SHEET NUMBER

C500

EROSION & SEDIMENT CONTROL STAGING CHART					
Phase	Project Stage	BMP Plan Ref. No.	BMP Description	Remove After Stage:	Notes:
Phase I (PRE-CON)	A - Place BMP's Prior to Land Disturbance	01	Perimeter Silt Fence	E	Place as shown on plan
		02	Concrete Entrance & Staging Area	D	Place as shown on plan
		03	Concrete Wash-Out	D	Place as shown on plan
		04	Existing Inlet Protection	E	Place as shown on plan
Phase II (MID-CON)	B - After Stripping, Grubbing, & Mass Grading	05	Storm Inlet Protection	E	Place as shown on plan
Phase III (POST-CON)	E - Final Grading, Paving & Landscaping	06	Final Seeding, Sod, and Landscaping	N/A	Silt fencing & inlet protect may be removed once seed & sodded areas are established on 80% of site. (REF: L1.1 Landscape Plan for the stormwater treatment facility)



PROJECT TITLE

Q39 (SHELL)
LEE'S SUMMIT, MO
 OLDHAM VILLAGE
 LEE'S SUMMIT, MO

PROJECT NUMBER	62910099
PROJECT MANAGER	CLARENCE BY
DESIGNED BY	BRR
CHECKED BY	BRR
PROFESSIONAL SEAL	



COPYRIGHT NOTICE
 THIS DRAWING WAS PREPARED FOR USE ON A SPECIFIC SITE. IT IS THE PROPERTY OF BRR ARCHITECTURE INC. AND IS NOT TO BE REPRODUCED OR USED FOR ANY OTHER PROJECT WITHOUT THE WRITTEN PERMISSION OF BRR ARCHITECTURE INC. ANY REPRODUCTION OR USE OF THIS DRAWING FOR ANY OTHER PROJECT IS STRICTLY PROHIBITED AND MAY BE CONSIDERED TO BE A VIOLATION OF FEDERAL AND STATE LAWS.

BRR DOES NOT GUARANTEE THAT THE INFORMATION IS SUFFICIENT OR APPROPRIATE FOR USER'S PURPOSES. USER USES OR ALTERS THESE FILES AT USER'S SOLE RISK AND AGREES TO HOLD BRR HARMLESS FROM LIABILITY ARISING FROM USER'S USE.

ISSUES AND REVISIONS			
NUMBER	DATE	ORIGINAL ISSUE	DESCRIPTION
1	08/20/25	ADDENDUM 1	

SHEET NAME

MID-CONSTRUCTION EROSION

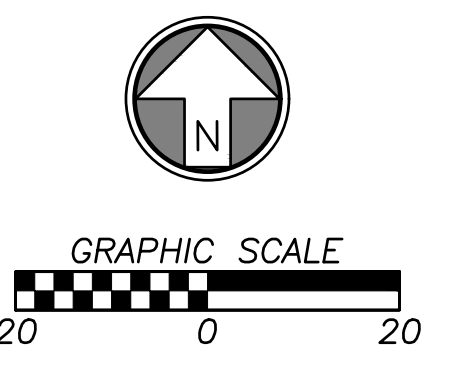
SHEET NUMBER

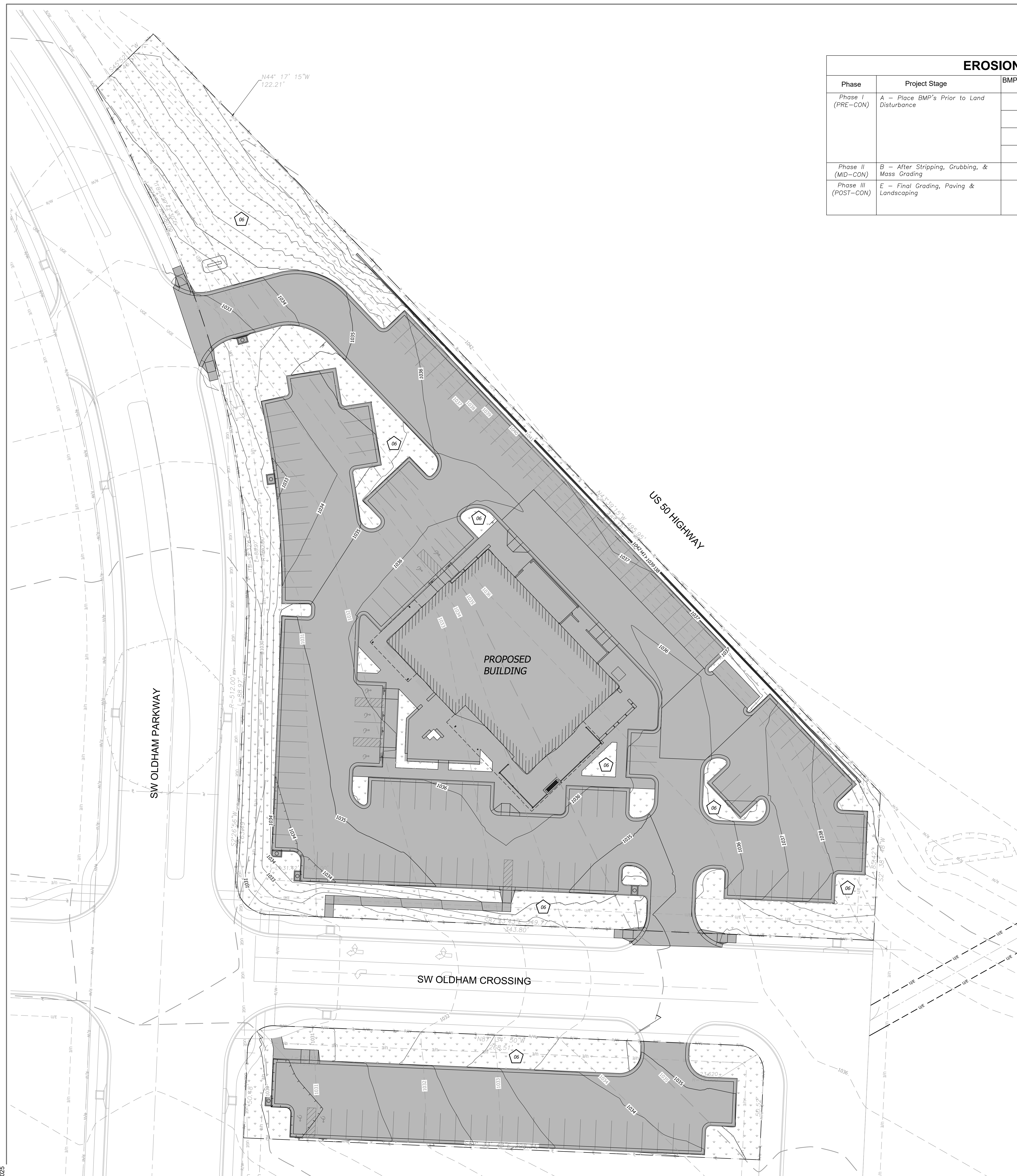
C501

EROSION CONTROL LEGEND

- DISTURBED AREA (2.94 AC)
- - - SF SILT/SEDIMENT FENCE
- INLET PROTECTION FILTER BAGS
- CONSTRUCTION ENTRANCE
- STAGING AREA
- CONCRETE CLEANOUT

- 000 DETAILS**
 SEE EROSION CONTROL DETAILS SHEET FOR THE FOLLOWING:
- 600 TEMPORARY CONSTRUCTION ENTRANCE
 - 601 FILTER FABRIC SILT FENCE
 - 603 STORM INLET PROTECTION
 - 604 CONCRETE WASH-OUT





EROSION & SEDIMENT CONTROL STAGING CHART

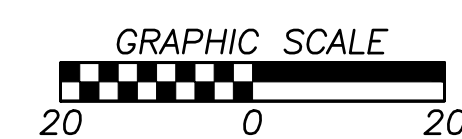
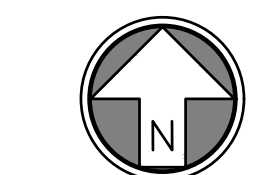
Phase	Project Stage	BMP Plan Ref. No.	BMP Description	Remove After Stage:	Notes:
Phase I (PRE-CON)	A - Place BMP's Prior to Land Disturbance	01	Perimeter Silt Fence	E	Place as shown on plan
		02	Concrete Entrance & Staging Area	D	Place as shown on plan
		03	Concrete Wash-Out	D	Place as shown on plan
		04	Existing Inlet Protection	E	Place as shown on plan
Phase II (MID-CON)	B - After Stripping, Grubbing, & Mass Grading	05	Storm Inlet Protection	E	Place as shown on plan
Phase III (POST-CON)	E - Final Grading, Paving & Landscaping	06	Final Seeding, Sod, and Landscaping	N/A	Silt fencing & inlet protect may be removed once seed & sodded areas are established on 80% of site. (RE: LT.1 Landscape Plan for the stormwater treatment facility)

EROSION CONTROL LEGEND

- DISTURBED AREA (2.94 AC)
- FINAL SEEDING (SOD &/OR LANDSCAPING)
- IMPERVIOUS AREA (2.00 AC)

000 DETAILS

- SEE EROSION CONTROL DETAIL SHEET FOR THE FOLLOWING
- 600 TEMPORARY CONSTRUCTION ENTRANCE
- 601 FILTER FABRIC SILT FENCE
- 603 STORM INLET PROTECTION
- 604 CONCRETE WASH-OUT



ARCHITECT OF RECORD
brr
BRR ARCHITECTURE INC.
838 WESTLAF AVENUE
SUITE 200
OVERLAND PARK, KS 66210
WWW.BRRARCH.COM
TEL: 913-242-9895
FAC: 913-242-9844

CONSULTANT
BHC
CIVIL ENGINEERING / SURVEYING / UTILITIES
7101 College Blvd., Suite 400
Overland Park, Kansas 66210
p. (913) 663-1900
BHC is a trademark of Brundage International & Company, P.A.

CLIENT

PROJECT TITLE

Q39 (SHELL)
LEE'S SUMMIT, MO
 OLDHAM VILLAGE
 LEE'S SUMMIT, MO

PROJECT NUMBER	62910099	
PROJECT MANAGER	DRAWN BY	CHECKED BY
BRR	BRR	
PROFESSIONAL SEAL		



COPYRIGHT NOTICE
THIS DRAWING WAS PREPARED FOR USE ON A SPECIFIC SITE. IT IS THE PROPERTY OF BRR ARCHITECTURE INC. AND IS NOT TO BE REPRODUCED OR USED FOR ANY OTHER PROJECT WITHOUT THE WRITTEN PERMISSION OF BRR ARCHITECTURE INC. ANY REUSE OF THIS DRAWING FOR ANY OTHER PROJECT IS STRICTLY PROHIBITED. THE USER OF THIS DRAWING FOR ANY OTHER PROJECT IS NOT AUTHORIZED AND MAY BE CONSIDERED TO BE IN VIOLATION OF THE LAW.

ISSUES AND REVISIONS

NUMBER	DATE	ISSUES	ORIGINAL ISSUE	DESCRIPTION
1	08/20/25	ADDENDUM 1		

SHEET NAME

**POST-CONSTRUCTION
EROSION**

SHEET NUMBER

C502

04/04/2025

BRR ORIGINAL PRINTED ON RECYCLED PAPER



ARCHITECT OF RECORD
brr
 BRR ARCHITECTURE INC.
 818 WESTGATE AVENUE
 SUITE 200
 OVERLAND PARK, KS 66204
 WWW.BRRARCH.COM
 TEL: 913-242-9999
 FAX: 913-242-9944

CONSULTANT
BHC
 CIVIL ENGINEERING / SURVEYING / UTILITIES
 7101 College Blvd., Suite 400
 Overland Park, Kansas 66210
 p. (913) 663-1900
 BHC is a trademark of Brueggert-Horowitz & Company, P.A.

CLIENT

Q39 (SHELL)
LEE'S SUMMIT, MO
 OLDHAM VILLAGE
 LEE'S SUMMIT, MO

PROJECT NUMBER: 62910099

PROJECT MANAGER:	DESIGNED BY:	CHECKED BY:
BRR	BRR	

PROFESSIONAL SEAL



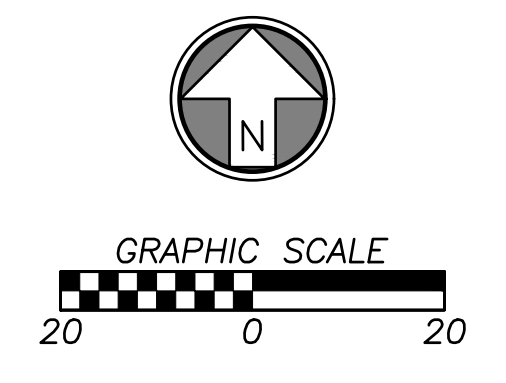
COPYRIGHT NOTICE
 THIS DRAWING WAS PREPARED FOR USE ON A SPECIFIC SITE. IT IS THE PROPERTY OF BRR ARCHITECTURE INC. AND IS NOT TO BE REPRODUCED OR USED FOR ANY OTHER PROJECT WITHOUT THE WRITTEN PERMISSION OF BRR ARCHITECTURE INC. ANY REPRODUCTION OR USE OF THIS DRAWING FOR ANY OTHER PROJECT IS STRICTLY PROHIBITED AND MAY BE CONSIDERED A VIOLATION OF THE PROFESSIONAL ENGINEERING ACT.

REVISIONS AND REVISIONS

NUMBER	DATE	ISSUED	DESCRIPTION
1	08/20/20	ADDITION 1	

SHEET NAME: EXISTING DRAINAGE MAP
 SHEET NUMBER: C600

- DRAINAGE LEGEND**
- DRAINAGE AREA BOUNDARY
 - DRAINAGE DIRECTION
 - AREA/DIRECTION OF DRAINAGE BOUNDARY
 - EXISTING GRADE MAJOR CONTOUR
 - EXISTING GRADE MINOR CONTOUR
 - PROPERTY LINE
 - RIGHT-OF-WAY LINE

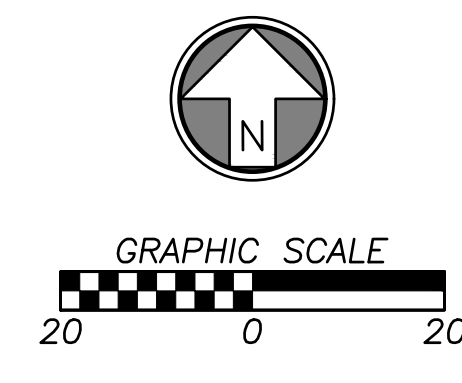


04/04/2025



DRAINAGE LEGEND

	DRAINAGE AREA BOUNDARY
	PROPOSED STRUCTURE IDENTIFIER
	DRAINAGE DIRECTION
	AREA/DIRECTION OF DRAINAGE BOUNDARY
	PROPOSED FINISH GRADE MAJOR CONTOUR
	PROPOSED FINISH GRADE MINOR CONTOUR
	EXISTING GRADE MAJOR CONTOUR
	EXISTING GRADE MINOR CONTOUR
	PROPOSED STORM SEWER LINE
	PROPOSED ROOF LINE DRAIN
	PROPERTY LINE
	RIGHT-OF-WAY LINE



ARCHITECT OF RECORD
brr
 BRR ARCHITECTURE INC.
 818 WESTGATE AVENUE
 SUITE 200
 OVERLAND PARK, KS 66204
 WWW.BRRARCH.COM
 TEL: 913-242-9999
 FAX: 913-242-9944

CONSULTANT
BHC
 CIVIL ENGINEERING / SURVEYING / UTILITIES
 7101 College Blvd., Suite 400
 Overland Park, Kansas 66210
 p. (913) 663-1900
 BHC is a trademark of Brueggemann Associates & Company, P.A.

CLIENT

PROJECT TITLE

Q39 (SHELL)
LEE'S SUMMIT, MO
 OLDHAM VILLAGE
 LEE'S SUMMIT, MO

PROJECT NUMBER	62910099
PROJECT MANAGER	CLARENCE
DESIGNED BY	BRR
CHECKED BY	BRR
PROFESSIONAL SEAL	



COPYRIGHT NOTICE
 THIS DRAWING WAS PREPARED FOR USE ON A SPECIFIC SITE. IT IS THE PROPERTY OF BRR ARCHITECTURE INC. AND IS NOT TO BE REPRODUCED OR USED FOR ANY OTHER PROJECT WITHOUT THE WRITTEN PERMISSION OF BRR ARCHITECTURE INC. THE SERVICES OF PROPERLY LICENSED ARCHITECTS AND ENGINEERS ARE REQUIRED FOR THE DESIGN OF THIS PROJECT. BRR ARCHITECTURE INC. IS NOT RESPONSIBLE FOR ANY ERRORS OR OMISSIONS IN THIS DRAWING OR FOR ANY DAMAGE TO PROPERTY OR PERSONS ARISING FROM THE USE OF THIS DRAWING.

ISSUES AND REVISIONS

NUMBER	DATE	ORIGINAL ISSUE	DESCRIPTION
1	08/23/25	ADDED	ADDED

SHEET NAME

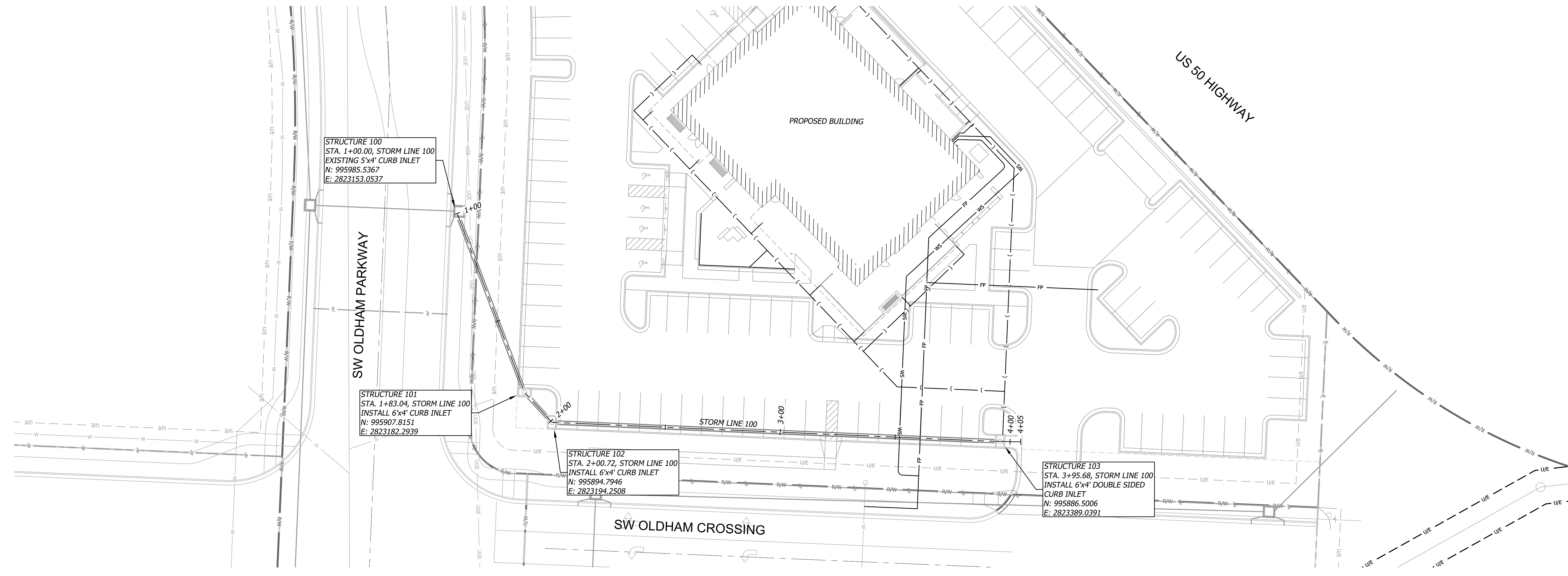
PROPOSED DRAINAGE MAP

SHEET NUMBER

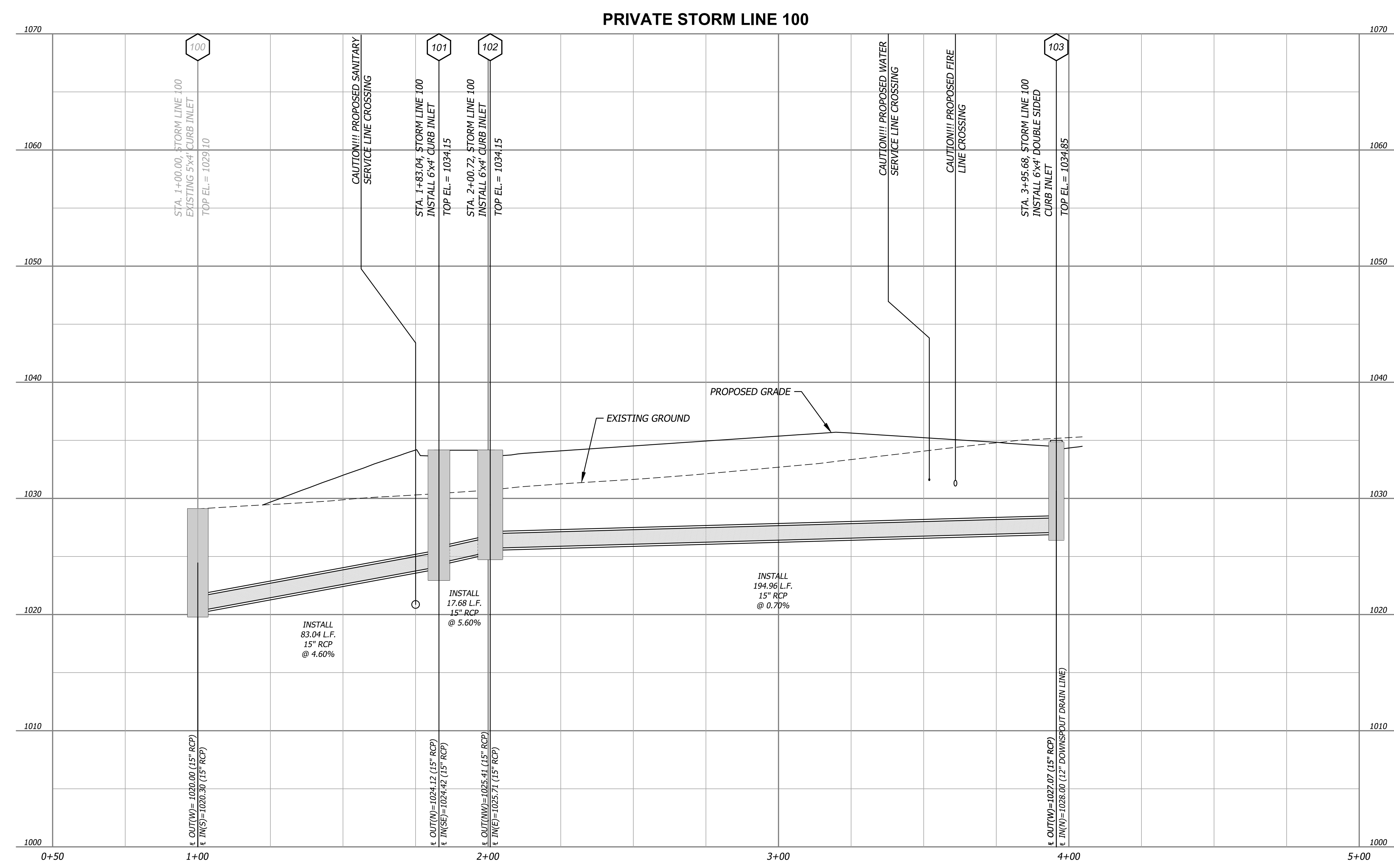
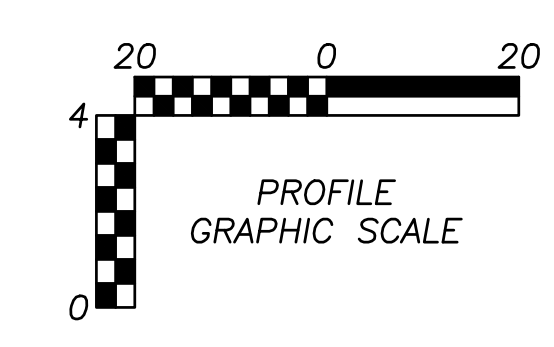
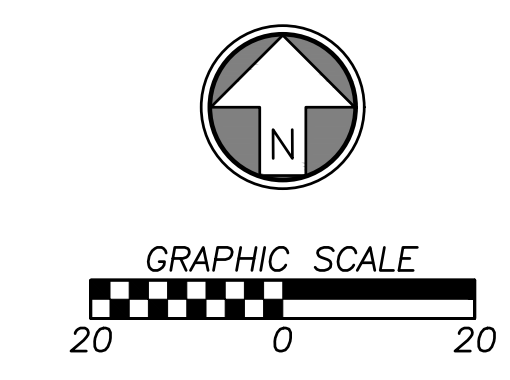
C601

04/04/2025

BRR ORIGINAL PRINTED ON RECYCLED PAPER



STORM NOTE
 All Northings, Eastings, and alignment stationing for storm structures are to center of structure unless stated otherwise.



ARCHITECT OF RECORD
brr
 BRR ARCHITECTURE INC.
 818 WESTLAF AVENUE
 SUITE 200
 OVERLAND PARK, KS 66204
 WWW.BRRARCH.COM
 TEL: 913-242-9895
 FAX: 913-242-9844

CONSULTANT
BHC
 CIVIL ENGINEERING / SURVEYING / UTILITIES
 7101 College Blvd., Suite 400
 Overland Park, Kansas 66210
 p. (913) 663-1900
 BHC is a trademark of Brueggert Associates & Company, P.A.

CLIENT

PROJECT TITLE

Q39 (SHELL)
LEE'S SUMMIT, MO
 OLDHAM VILLAGE
 LEE'S SUMMIT, MO

PROJECT NUMBER	62910099
PROJECT MANAGER	DAVID BY
CHECKED BY	BRR
PROFESSIONAL SEAL	



COPYRIGHT NOTICE
 THIS DRAWING WAS PREPARED FOR USE ON A SPECIFIC SITE. IT IS THE PROPERTY OF BRR ARCHITECTURE INC. AND IS NOT TO BE REPRODUCED OR USED ON ANY OTHER PROJECT WITHOUT THE WRITTEN PERMISSION OF BRR ARCHITECTURE INC. ANY REPRODUCTION OR USE OF THIS DRAWING FOR ANY OTHER PROJECT IS STRICTLY PROHIBITED AND WILL BE CONSIDERED A VIOLATION OF THE PROFESSIONAL ENGINEERING ACT.

ISSUES AND REVISIONS

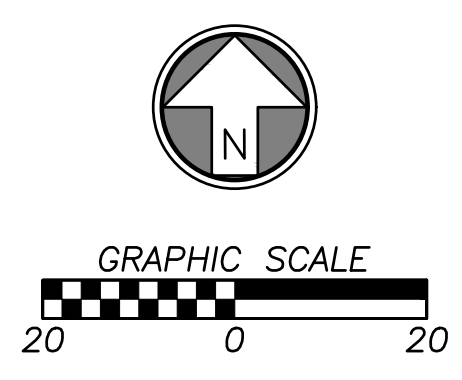
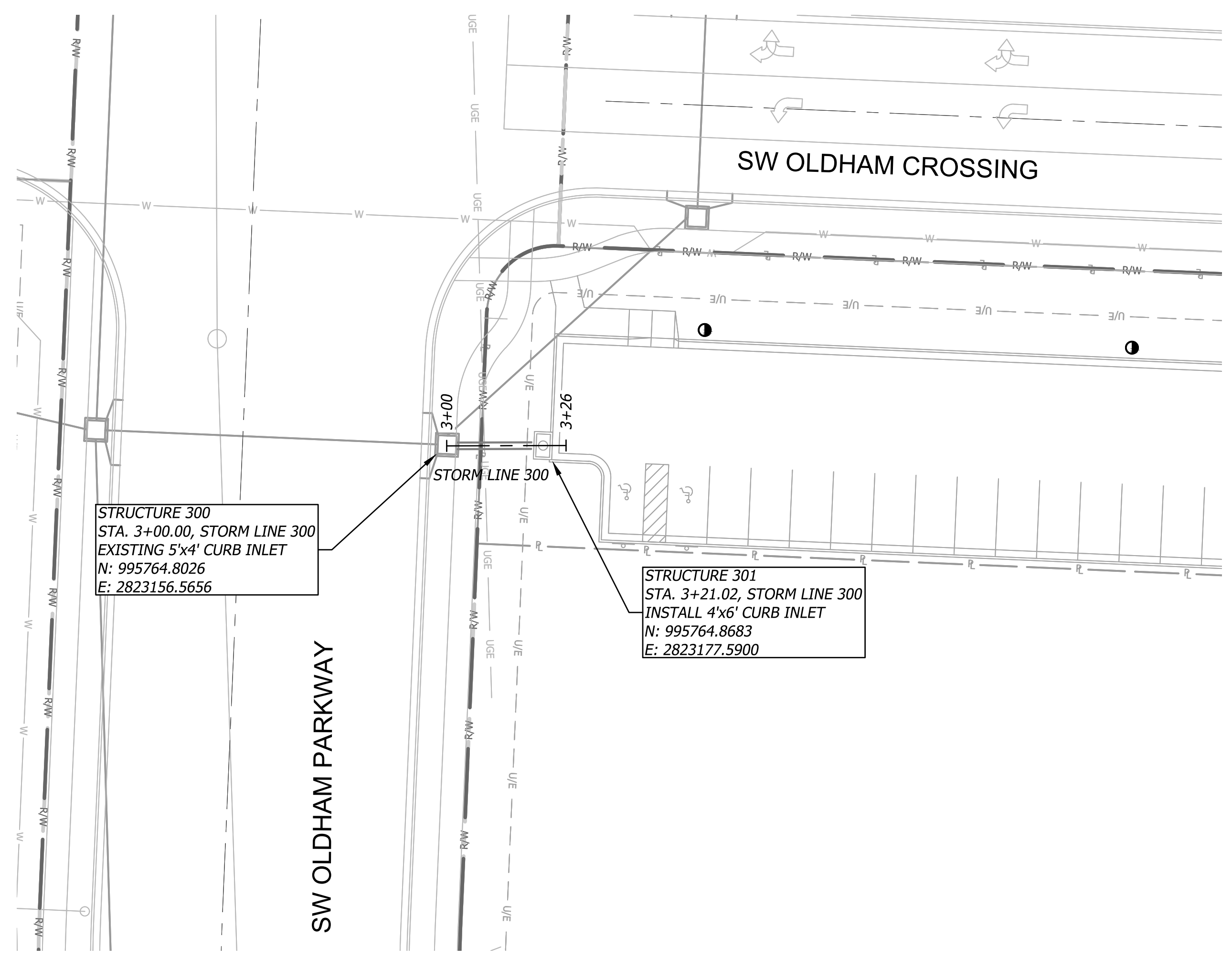
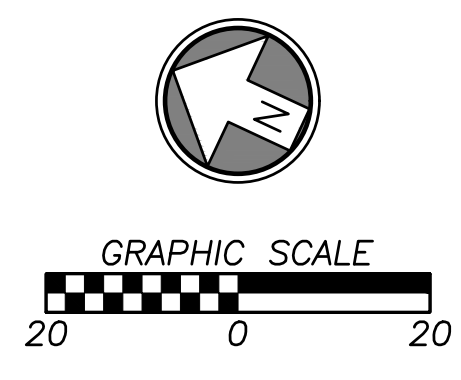
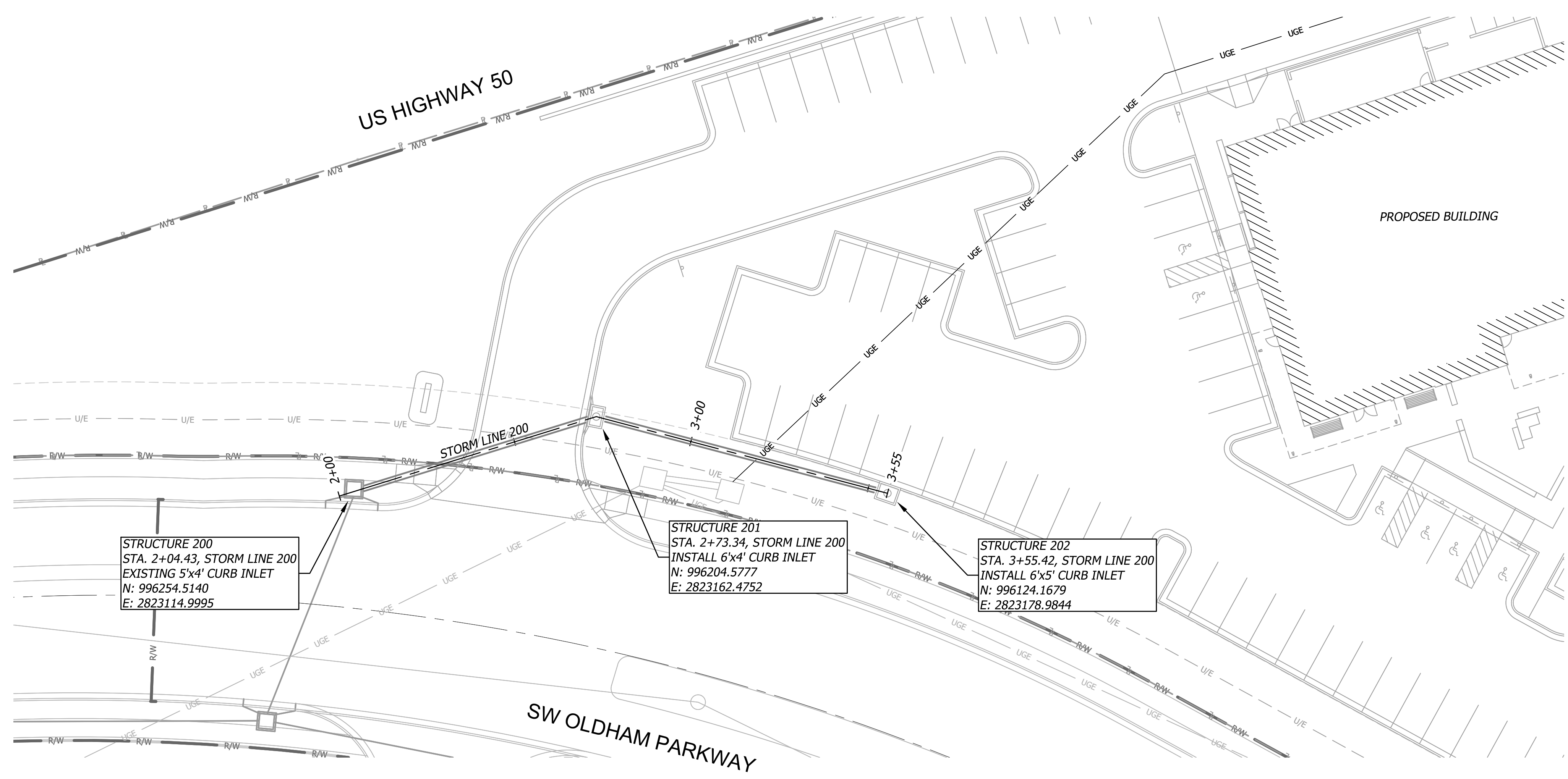
NUMBER	DATE	ISSUES	ORIGINAL ISSUE	DESCRIPTION
1	08/20/25			ADDENDUM 1

SHEET NAME

STORM LINE 100
 SHEET NUMBER

C700

04/04/2025



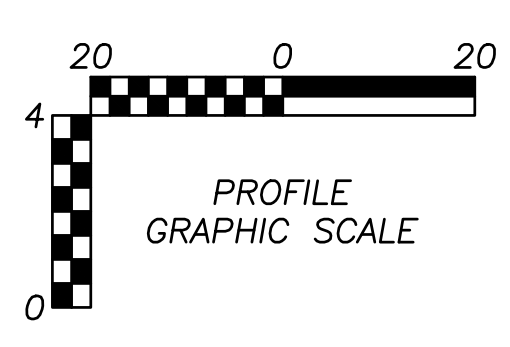
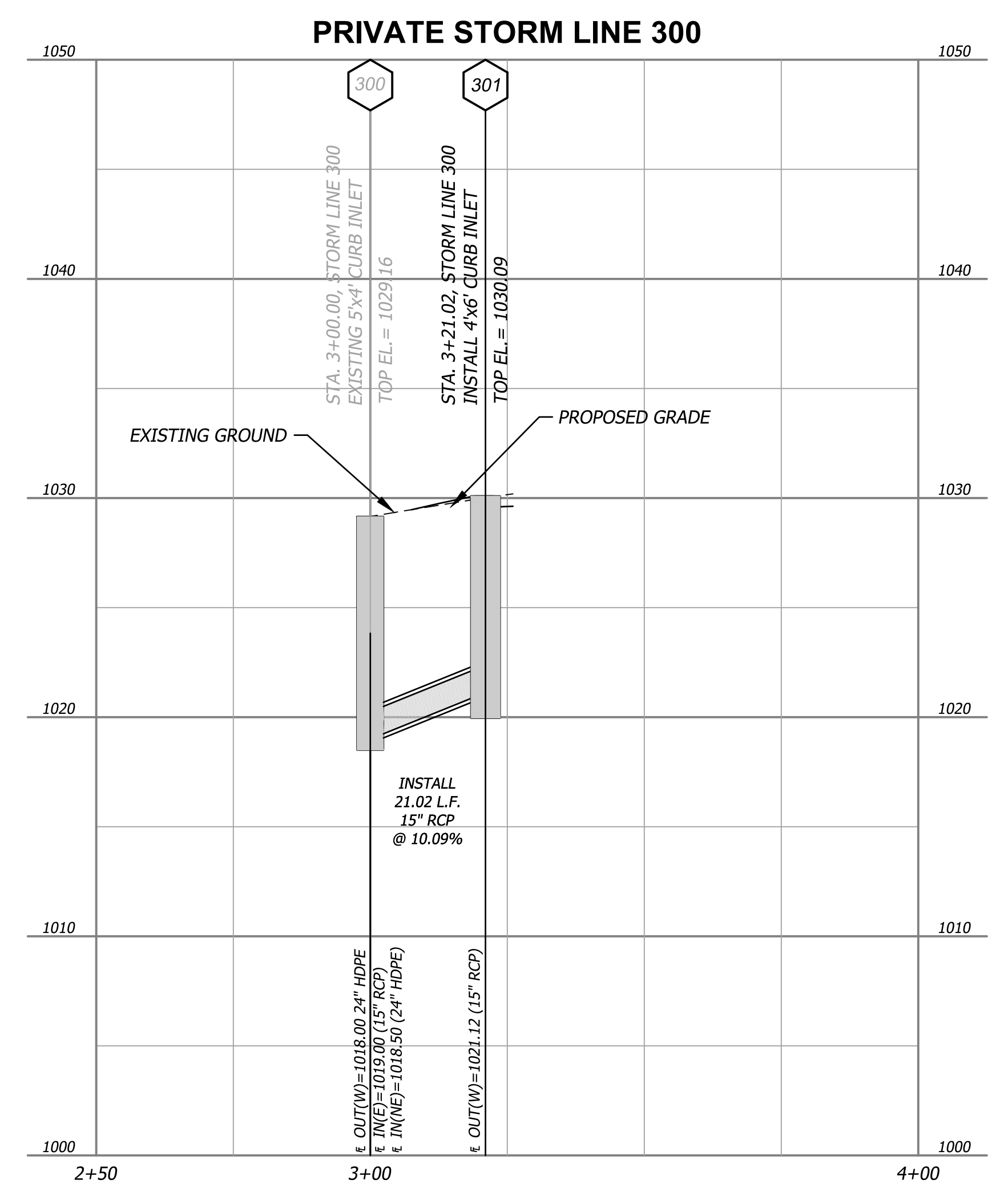
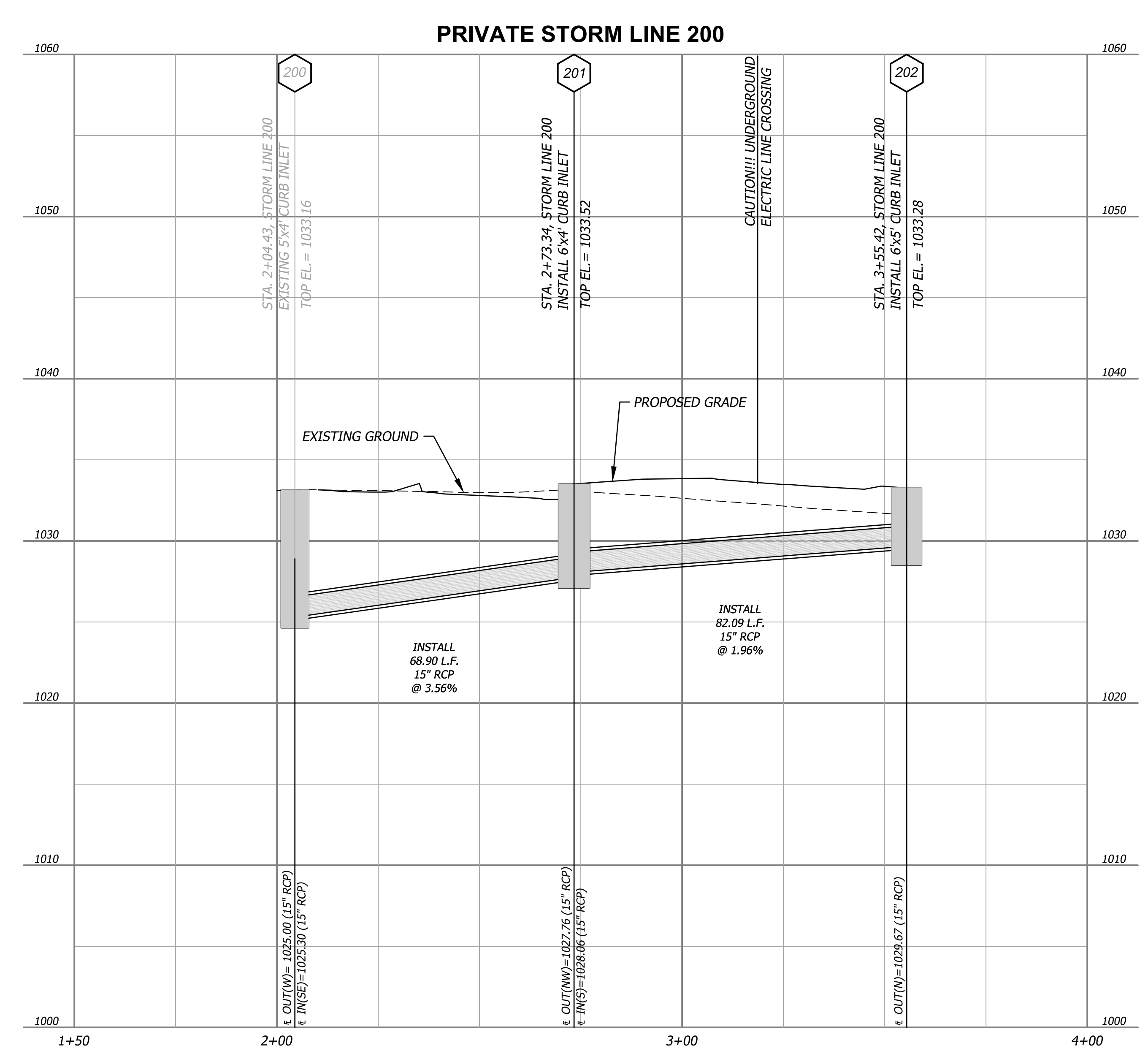
STORM NOTE
 All Northings, Eastings, and alignment stationing for storm structures are to center of structure unless stated otherwise.

brr ARCHITECTURE INC.
 818 WESTGATE AVENUE
 SUITE 200
 OVERLAND PARK, KS 66204
 WWW.BRRARCH.COM
 TEL: 913-242-9995
 FAX: 913-242-9944

BHC
 CIVIL ENGINEERING / SURVEYING / UTILITIES
 7101 College Blvd., Suite 400
 Overland Park, Kansas 66210
 p. (913) 663-1900
 BHC is a trademark of Brundage International & Company, P.A.

PROJECT TITLE

Q39 (SHELL)
LEE'S SUMMIT, MO
 OLDHAM VILLAGE
 LEE'S SUMMIT, MO



PROJECT NUMBER	62910099		
PROJECT MANAGER	DESIGNED BY	CHECKED BY	
BRR	BRR		
PROFESSIONAL SEAL			



COPYRIGHT NOTICE
 THIS DRAWING WAS PREPARED FOR USE ON A SPECIFIC SITE. IT IS THE PROPERTY OF BRR ARCHITECTURE INC. AND IS NOT TO BE REPRODUCED OR USED FOR ANY OTHER PROJECT WITHOUT THE WRITTEN PERMISSION OF BRR ARCHITECTURE INC. ANY REPRODUCTION OR USE OF THIS DRAWING FOR ANY OTHER PROJECT WITHOUT THE WRITTEN PERMISSION OF BRR ARCHITECTURE INC. IS PROHIBITED AND MAY BE CONSIDERED A VIOLATION OF APPLICABLE LAWS.

NUMBER	DATE	ORIGINAL ISSUE	DESCRIPTION
1	08/20/20	ADDENDUM 1	

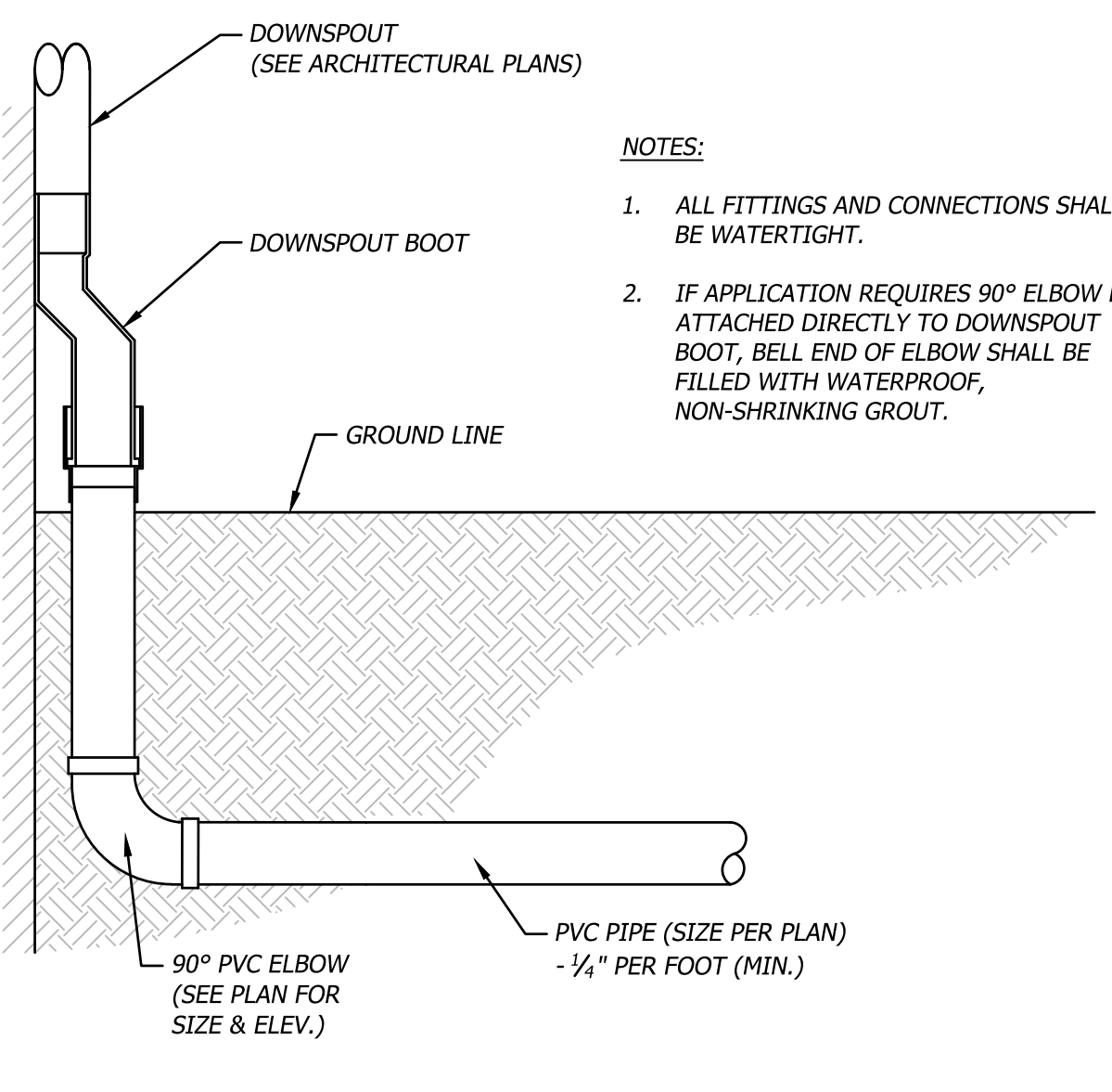
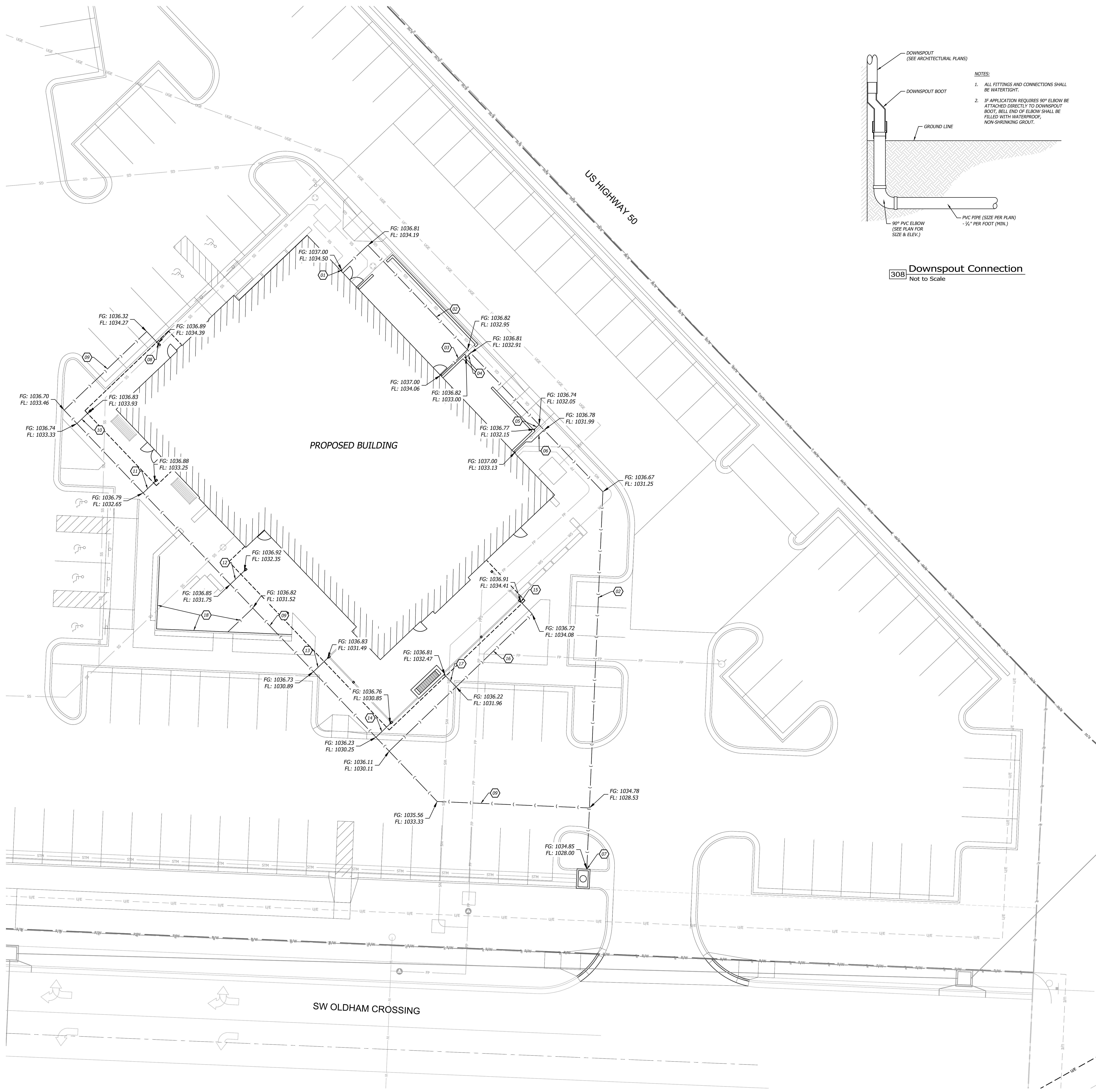
SHEET NAME

STORM LINE 200 & 300
 SHEET NUMBER

C701

04/04/2025

BRR ORIGINAL PRINTED ON RECYCLED PAPER



308 Downspout Connection
Not to Scale

- NOTES:**
1. ALL FITTINGS AND CONNECTIONS SHALL BE WATER-TIGHT.
 2. IF APPLICATION REQUIRES 90° ELBOW BE ATTACHED DIRECTLY TO DOWNSPOUT BOOT. BELL END OF ELBOW SHALL BE FILLED WITH WATERPROOF, NON-SHRINKING GROUT.

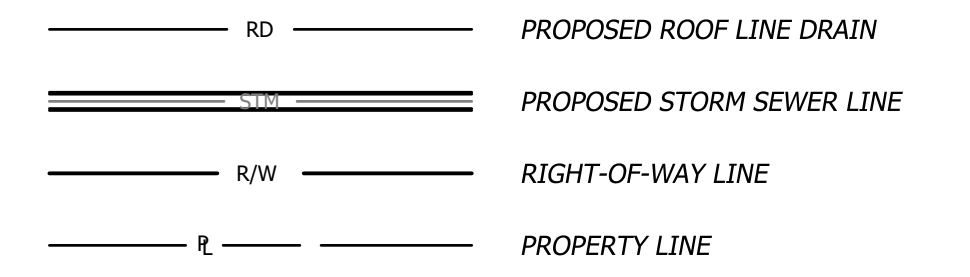
GENERAL NOTES

1. All lengths/slopes of roof drain lines are approximate. Contractor to obtain own quantities.
2. Contractor to ensure 6" minimum separation between roof drain and any utility crossing. Contractor to call civil engineer if any conflicts between utilities are found.

ROOF DRAIN NOTES

- 01 CONNECT 12" DOWNSPOUT PIPE UNDERGROUND TO BUILDING DOWNSPOUT;
REFER TO DOWNSPOUT DETAIL 308 ON C702
 $\epsilon = 1034.5'$
- 02 INSTALL 231.35 LF OF 12" PVC DRAIN PIPE @ 2.8%
- 03 INSTALL 11.08 LF OF 6" PVC DRAIN PIPE @ 10% AND CONNECT TO ROOF DRAIN.
- 04 INSTALL 2.0 LF OF 6" PVC DRAIN PIPE @ 4.5% AND CONNECT TO DOWNSPOUT
- 05 INSTALL 2.0 LF OF 6" PVC DRAIN PIPE @ 5% AND CONNECT TO DOWNSPOUT.
- 06 INSTALL 11.6 LF OF 6" PVC DRAIN PIPE @ 10% AND CONNECT TO ROOF DRAIN. AFTER 5.3 LF INSTALL 45° BEND TO AVOID GAS METER AND FINISH CONNECTING TO ROOF DRAIN.
- 07 CONNECT DOWNSPOUT DRAIN PIPE TO INLET @ FL 1028.0'
- 08 CONNECT 12" DOWNSPOUT PIPE UNDERGROUND TO CANOPY DOWNSPOUT;
REFER TO DOWNSPOUT DETAIL 308 ON C702
 $\epsilon = 1034.39'$
- 09 INSTALL 252.45 LF OF 12" PVC DRAIN PIPE @ 2.3%
- 10 INSTALL 5 LF OF 6" PVC DRAIN PIPE @ 12% AND CONNECT TO DOWNSPOUT
- 11 INSTALL 5 LF OF 6" PVC DRAIN PIPE @ 12% AND CONNECT TO DOWNSPOUT
- 12 INSTALL 6 LF OF 6" PVC DRAIN PIPE @ 10% AND CONNECT TO DOWNSPOUT
- 13 INSTALL 6 LF OF 6" PVC DRAIN PIPE @ 10% AND CONNECT TO DOWNSPOUT
- 14 INSTALL 6 LF OF 6" PVC DRAIN PIPE @ 10% AND CONNECT TO DOWNSPOUT
- 15 CONNECT 6" DOWNSPOUT PIPE UNDERGROUND TO CANOPY DOWNSPOUT;
REFER TO DOWNSPOUT DETAIL 308 ON C702
 $\epsilon = 1034.41'$
- 16 INSTALL 65.78 LF OF 6" PVC DRAIN PIPE @ 6.5%
- 17 INSTALL 5 LF OF 6" PVC DRAIN PIPE @ 10% AND CONNECT TO DOWNSPOUT
- 18 4" PERFORATED HDPE UNDERDRAIN

ROOF DRAIN LEGEND



ARCHITECT OF RECORD

brr BRR ARCHITECTURE INC.
818 WESTLAF AVENUE
SUITE 200
OVERLAND PARK, KS 66204
WWW.BRRARCH.COM
TEL: 913-242-9992
FAC: 913-242-8444

CONSULTANT

BHC
CIVIL ENGINEERING / SURVEYING / UTILITIES
7101 College Blvd., Suite 400
Overland Park, Kansas 66210
p. (913) 663-1900
BHC is a trademark of Brungart Associates & Company, P.A.

CLIENT

PROJECT TITLE

Q39 (SHELL)
LEE'S SUMMIT, MO
OLDHAM VILLAGE
LEE'S SUMMIT, MO

PROJECT NUMBER	62910099		
PROJECT MANAGER	DRAWN BY	CHECKED BY	
BRR	BRR	BRR	
PROFESSIONAL SEAL			



COPYRIGHT NOTICE

THIS DRAWING WAS PREPARED FOR USE ON A SPECIFIC SITE AND IS NOT TO BE REPRODUCED OR USED FOR ANY OTHER PROJECT WITHOUT THE WRITTEN PERMISSION OF BRR ARCHITECTURE INC. ANY REPRODUCTION OR USE OF THIS DRAWING FOR ANY OTHER PROJECT WITHOUT THE WRITTEN PERMISSION OF BRR ARCHITECTURE INC. IS STRICTLY PROHIBITED AND MAY BE CONSIDERED A VIOLATION OF THE LAW.

BRR DOES NOT GUARANTEE THAT THIS DRAWING IS SUFFICIENT OR APPROPRIATE FOR USER'S PURPOSES. USER'S USE OR ALTERATION OF THIS DRAWING AT USER'S SOLE RISK AND WITHOUT THE WRITTEN PERMISSION OF BRR ARCHITECTURE INC. IS STRICTLY PROHIBITED.

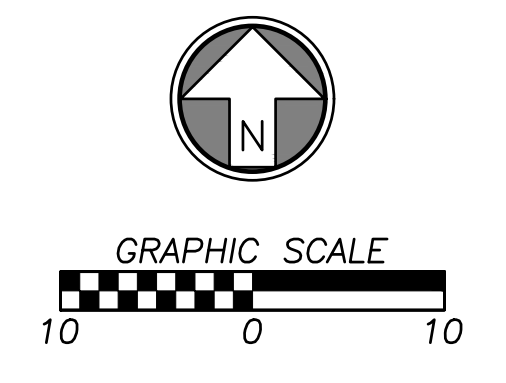
NUMBER	DATE	ISSUES	ORIGINAL ISSUE	DESCRIPTION
1	08/20/25	ADDENDUM 1		

SHEET NAME

DOWNSPOUT PIPE PLAN

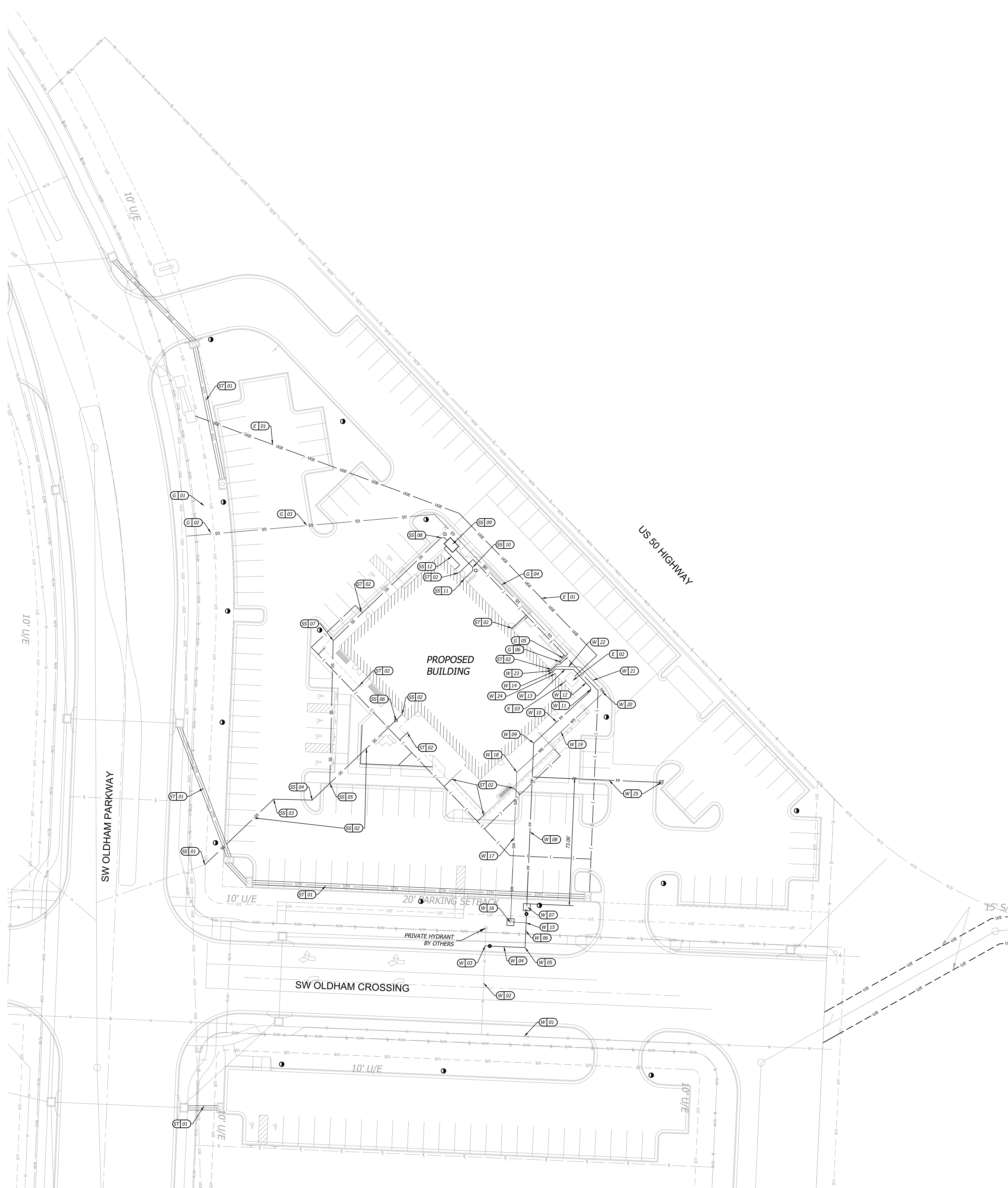
SHEET NUMBER

C702



04/04/2025

BRR ORIGINAL PRINTED ON RECYCLED PAPER



CONSTRUCTION NOTES

- W - WATER SERVICE INFORMATION - LEE'S SUMMIT**
- 01 EXISTING 8" WATER MAIN LINE
 - 02 EXISTING PRIVATE FIRE HYDRANT LINE
 - 03 CONNECT TO EXISTING 6" WATER LINE STUB & INSTALL RESTRAINED VALVE.
 - 04 INSTALL 23 LF OF 6" PVC FIRE PROTECTION LINE WITH MINIMUM DEPTH OF COVER 42"
 - 05 INSTALL 90° ELBOW FITTING.
 - 06 INSTALL 19.5 LF OF 6" PVC FIRE PROTECTION LINE WITH MINIMUM DEPTH OF COVER 42" AND 6" GATE VALVE.
 - 07 INSTALL BACKFLOW VAULT AND DEVICE.
 - 08 INSTALL 92.5 LF OF 6" PVC FIRE PROTECTION LINE WITH MINIMUM DEPTH OF COVER 42".
 - 09 INSTALL 135° ELBOW FITTING.
 - 10 INSTALL 43.8 LF OF 6" PVC FIRE PROTECTION LINE WITH MINIMUM DEPTH OF COVER 42".
 - 11 INSTALL 90° ELBOW FITTING.
 - 12 INSTALL 13.7 LF OF 6" PVC FIRE PROTECTION LINE WITH MINIMUM DEPTH OF COVER 42" AND 45° ELBOW FITTING.
 - 13 INSTALL 10.2 LF OF 6" PVC FIRE PROTECTION LINE WITH MINIMUM DEPTH OF COVER 42" AND 45° ELBOW FITTING.
 - 14 INSTALL 2.25 LF OF 6" PVC FIRE PROTECTION LINE WITH MINIMUM 42" DEPTH OF COVER & CONNECT TO BUILDING. SEE MEP PLANS FOR CONTINUATION.
 - 15 CONNECT AND INSTALL 7 LF OF 2" TYPE K COPPER DOMESTIC SERVICE LINE WITH THREADED CORP. STOP ONTO 6" PVC FIRE PROTECTION LINE. MINIMUM DEPTH OF COVER 42".
 - 16 INSTALL 2" DISPLACEMENT WATER METER.
 - 17 INSTALL 84.2 LF OF 2" DOMESTIC SERVICE LINE WITH MINIMUM COVER OF 42". THE FIRST 10 LF OF PIPE BEYOND THE METER SHALL BE COPPER, THE REMAINING LF OF PIPE TO BE C-900.
 - 18 INSTALL 135° ELBOW FITTING.
 - 19 INSTALL 90° ELBOW FITTING.
 - 20 INSTALL 18 LF OF 2" C-900 DOMESTIC SERVICE LINE WITH MINIMUM 42" COVER AND 45° ELBOW FITTING.
 - 21 INSTALL 13.6 LF OF 2" C-900 DOMESTIC SERVICE LINE WITH MINIMUM 42" COVER AND 45° ELBOW FITTING.
 - 22 INSTALL 3.6 LF OF 2" C-900 DOMESTIC SERVICE LINE WITH MINIMUM 42" COVER AND CONNECT TO BUILDING. SEE MEP PLANS FOR CONTINUATION.
 - 23 FIRE DEPARTMENT CONNECTION LOCATION.
 - 24 CONNECT TO 6" PVC FIRE PROTECTION LINE AND INSTALL 74.4 LF OF 6" PVC FIRE LINE AND INSTALL FIRE HYDRANT.

- E - ELECTRIC SERVICE INFORMATION - EVERGY**
 CONTRACTOR TO CONTACT EVERGY FOR FINAL PLANS OF MASTER DEVELOPMENT FOR CONNECTION SPOT.
- 01 EVERGY TO INSTALL PRIMARY UNDERGROUND ELECTRIC SERVICE FROM EXISTING ELECTRIC STRUCTURE. CONTRACTOR TO INSTALL CONDUIT.
 - 02 PROPOSED TRANSFORMER PAD.
 - 03 CONTRACTOR TO INSTALL SECONDARY UNDERGROUND ELECTRIC SERVICE LINE FROM PROPOSED TRANSFORMER TO BUILDING; REFER TO: ELECTRICAL PLAN.

- G - GAS SERVICE INFORMATION - SPIRE**
 CONTRACTOR TO CONTACT SPIRE FOR FINAL PLANS OF MASTER DEVELOPMENT CONNECTION SPOT.
- 01 EXISTING 4" GAS MAIN.
 - 02 TAP EXISTING GAS MAIN FOR SERVICE LINE; COORDINATE W/ SPIRE.
 - 03 INSTALL 130 LF GAS SERVICE LINE.
 - 04 INSTALL 111 LF GAS SERVICE LINE.
 - 05 INSTALL 6 LF GAS SERVICE LINE.
 - 06 GAS METER CONNECTION TO BLDG.; REFER TO: PLUMBING PLAN.

- ST - STORM SEWER INFORMATION - CITY OF LEE'S SUMMIT**
- 01 STORM SEWER LINE; REFER TO: SHEET C700-C701
 - 02 ROOF DRAINS; REFER TO: SHEET C702

- SS - SANITARY SEWER INFORMATION**
- 01 CONNECT TO EXISTING SANITARY STUB.
FL = 1019.5'
 - 02 INSTALL 148.6 LF OF PVC SDR 26 SANITARY SERVICE LINE @ 2.57% AND CONNECT INTO BUILDING. SEE MEP PLANS FOR CONTINUATION.
FL = 1033.0'
 - 03 INSTALL 45° BEND
FL = 1024.48'
 - 04 INSTALL 45° BEND
FL = 1026.49'
 - 05 INSTALL WYE
FL = 1027.76'
 - 06 INSTALL CLEAN OUT
FL = 1033.55'
 - 07 INSTALL 82.2 LF OF PVC SDR 26 SANITARY SERVICE LINE @ 2.57% AND INSTALL 45° BEND
FL = 1029.87'
 - 08 INSTALL 85.9 LF OF PVC SDR 26 SANITARY SERVICE LINE @ 2.57%; WYE AND CLEAN OUT
FL = 1032.11'
 - 09 INSTALL HOPE GREASE INTERCEPTOR; REFER TO MEP PLANS
 - 10 INSTALL 26.35 LF OF PVC SDR 26 SANITARY SERVICE LINE @ 2.57%; WYE AND CLEAN OUT
FL = 1032.79'
 - 11 INSTALL 5.7 LF OF PVC SDR 26 SANITARY SERVICE LINE @ 2.57% AND CONNECT TO BUILDING. SEE MEP PLANS FOR CONTINUATION.
FL = 1033.0'
 - 12 2" VENT LINE; REF MEP PLANS.

UTILITY NOTES

1. Contractor shall refer to all specifications, guidelines, and installation drawings from Waterone, Spire, Spectrum/AT&T, JCW, City of Lee's Summit Storm, and Evergy for the installation of all service lines.
2. The information shown on these plans concerning the type and location of underground utilities is not guaranteed to be accurate or all inclusive. The contractor is responsible for contacting all utility companies for field location of all underground utility lines prior to any excavation and for making his own verification as to type and location of underground utilities as may be necessary to avoid damage thereto.
3. Contractor to ensure 6" minimum separation between utilities at crossings. Contractor to call engineer if any conflicts between utilities are found.
4. Fire Line Notes:
 - 4.1. All private fire lines shall be installed in accordance with NFPA 24, and other applicable codes and standards.
 - 4.2. Contact the Fire Department to schedule inspections prior to private fire lines being backfilled.
 - 4.3. Contact the Fire Department to witness scheduled hydrostatic tests and flushes of private fire lines.
5. Stub all connections to within 5' of the building to provide connection into the building by mechanical/plumbing contractor.
6. Contractor to ensure min. 18" vertical separation between utilities at crossing. Contractor to call engineer if any conflicts between utilities are found.
7. There are no oil and gas wells within the property per the Well Installation Section Drilling Information Map (WISD) from MoDNR.

ARCHITECT OF RECORD

brr

BRR ARCHITECTURE INC.
 816 WESTLAF AVENUE
 SUITE 200
 OVERLAND PARK, KS 66204
 WWW.BRRARCH.COM
 TEL: 913-242-9895
 FAX: 913-242-9844

CONSULTANT

BHC

CIVIL ENGINEERING / SURVEYING / UTILITIES
 7101 College Blvd., Suite 400
 Overland Park, Kansas 66210
 p. (913) 663-1900

BHC is a trademark of Brucard International & Company, P.A.

CLIENT

PROJECT TITLE

Q39 (SHELL)
LEE'S SUMMIT, MO
 OLDHAM VILLAGE
 LEE'S SUMMIT, MO

PROJECT NUMBER	62910099
PROJECT MANAGER	DAWN BY
DESIGNED BY	BRR
CHECKED BY	BRR
PROFESSIONAL SEAL	



COPYRIGHT NOTICE

THIS DRAWING WAS PREPARED FOR USE ON A SPECIFIC SITE. CONTRACTOR SHALL VERIFY THE DATA SHOWN HEREIN IS CORRECT AND NOT BE LIABLE FOR USE ON A DIFFERENT PROJECT SITE OR AT A LATER TIME. USE OF THIS DRAWING FOR ANY OTHER PROJECT WITHOUT THE WRITTEN PERMISSION OF BRR ARCHITECTURE INC. IS STRICTLY PROHIBITED. THE SERVICES OF PROFESSIONALLY LICENSED ARCHITECTS AND ENGINEERS ARE REQUIRED FOR THIS DRAWING FOR REUSE ON ANY OTHER PROJECT. IT IS NOT AUTHORIZED AND MAY BE CONSIDERED TO BE A VIOLATION OF THE LAW.

BRR DOES NOT GUARANTEE THAT THESE PLANS ARE SUFFICIENT OR APPROPRIATE FOR USER'S PURPOSES. USER USES OR ALTERS THESE PLANS AT USER'S SOLE RISK AND AGREES TO HOLD BRR HARMLESS FROM LIABILITY ARISING FROM USER'S USE.

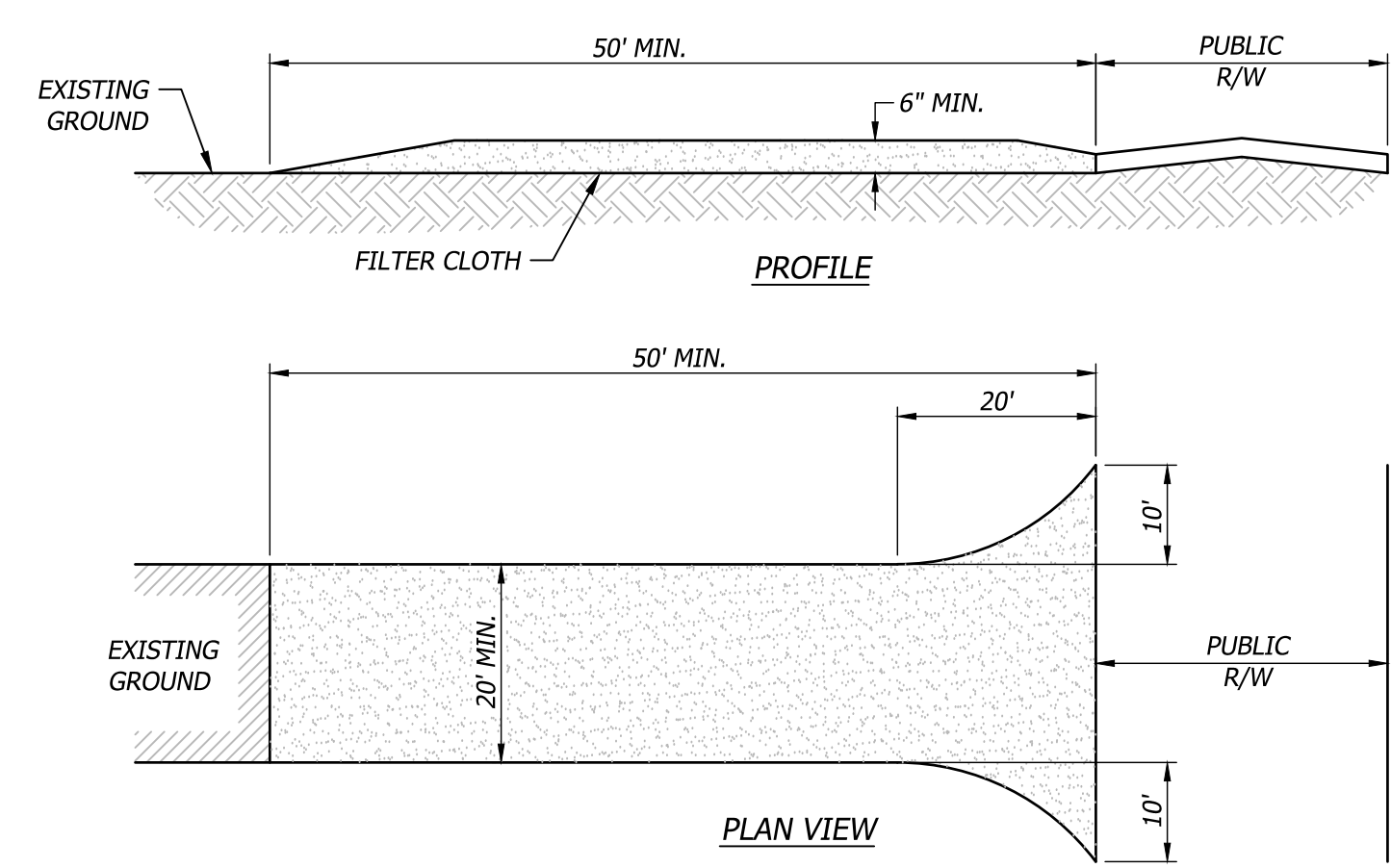
ISSUES AND REVISIONS			
NUMBER	DATE	ISSUES	DESCRIPTION
1	08/23/25	ADDENDUM 1	

SHEET NAME

UTILITY PLAN

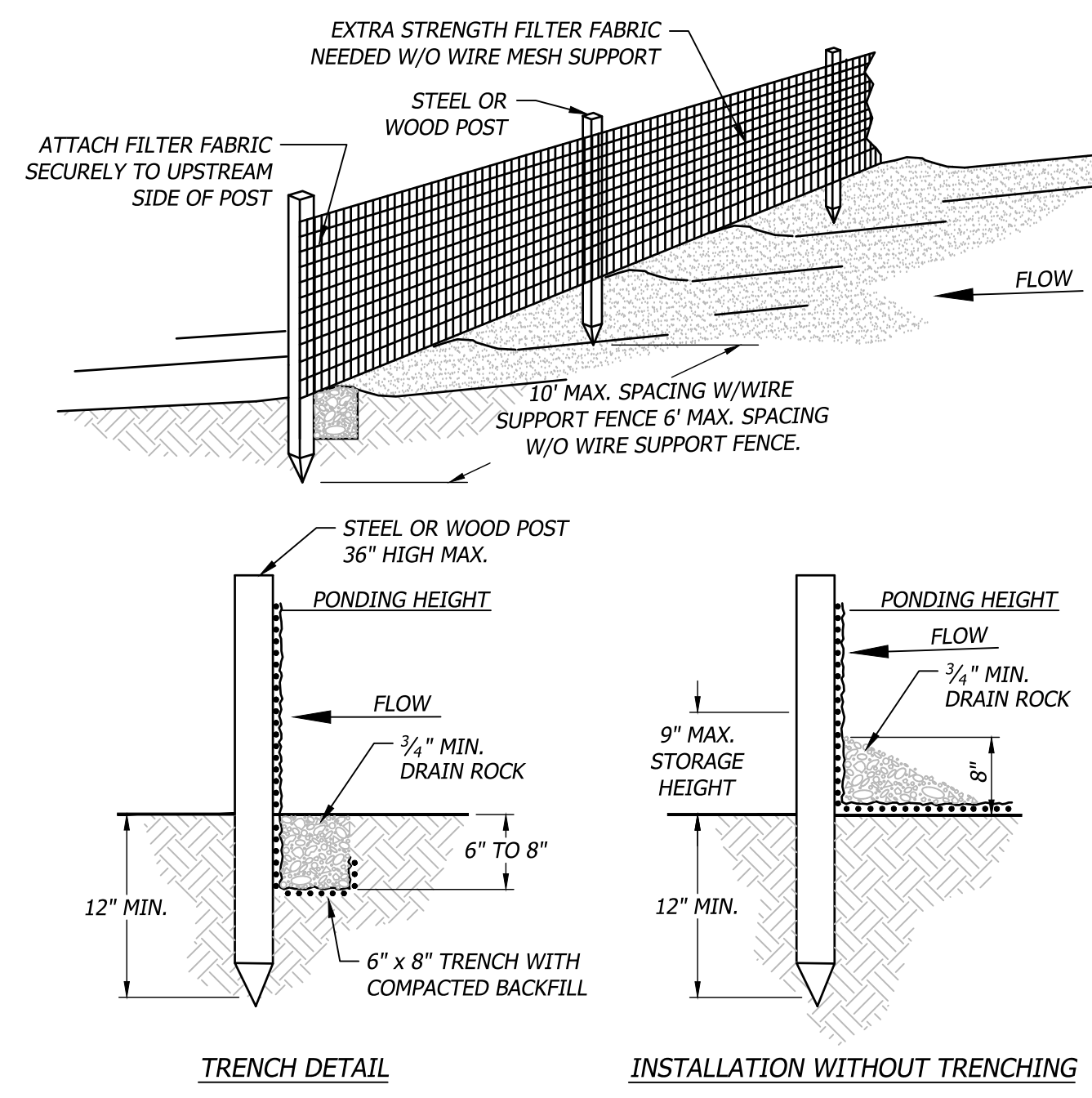
SHEET NUMBER

C800



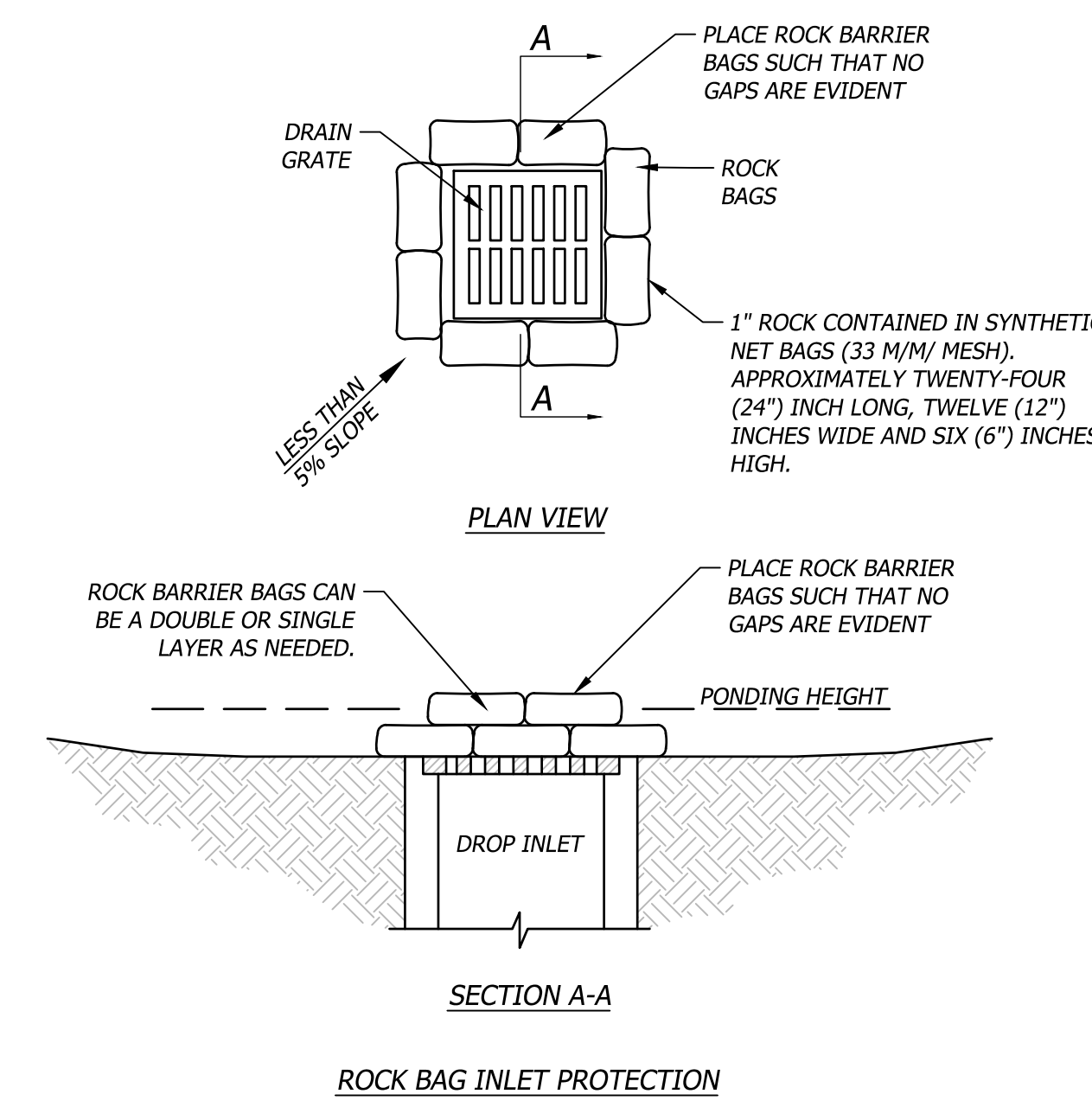
- CONSTRUCTION SPECIFICATIONS:**
- STONE SIZE - USE (2) INCH STONE, OR RECLAIMED OR RECYCLED EQUIVALENT.
 - LENGTH - AS REQUIRED, BUT NOT LESS THAN (50) FEET.
 - THICKNESS - NOT LESS THAN SIX (6) INCHES.
 - WIDTH - TWENTY (20) FEET MINIMUM, BUT NOT LESS THAN THE FULL WIDTH AT POINTS WHERE INGRESS OR EGRESS OCCURS.
 - FILTER CLOTH - WILL BE PLACED OVER THE ENTIRE AREA PRIOR TO PLACING OF STONE.
 - SURFACE WATER - ALL SURFACE WATER FLOWING OR DIVERTED TOWARD CONSTRUCTION ENTRANCES SHALL BE PIPED ACROSS THE ENTRANCE. IF PIPING IS IMPRACTICAL, A MOUNTABLE BERM WITH 3:1 SLOPES WILL BE PERMITTED.
 - MAINTENANCE - THE ENTRANCE SHALL BE MAINTAINED IN A CONDITION WHICH WILL PREVENT TRACKING OR FLOWING OF SEDIMENT ONTO PUBLIC RIGHTS-OF-WAY. THIS MAY REQUIRE PERIODIC TOP DRESSING WITH ADDITIONAL STONE AS CONDITIONS DEMAND AND REPAIR AND/OR CLEANOUT OF ANY MEASURES USED TO TRAP SEDIMENT. ALL SEDIMENT SPILLED, DROPPED, WASHED OR TRACKED ONTO PUBLIC RIGHTS-OF-WAY MUST BE REMOVED IMMEDIATELY.
 - WASHING - WHEELS SHALL BE CLEANED TO REMOVE SEDIMENT PRIOR TO ENTRANCE ONTO PUBLIC RIGHTS-OF-WAY WHEN WASHING IS REQUIRED, IT SHALL BE DONE ON AN AREA STABILIZED WITH STONE AND WHICH DRAINS INTO AN APPROVED SEDIMENT TRAPPING DEVICE.
 - PERIODIC INSPECTION AS NEEDED MAINTENANCE SHALL BE PROVIDED AFTER EACH RAIN.

600 Temporary Construction Entrance
Not to Scale



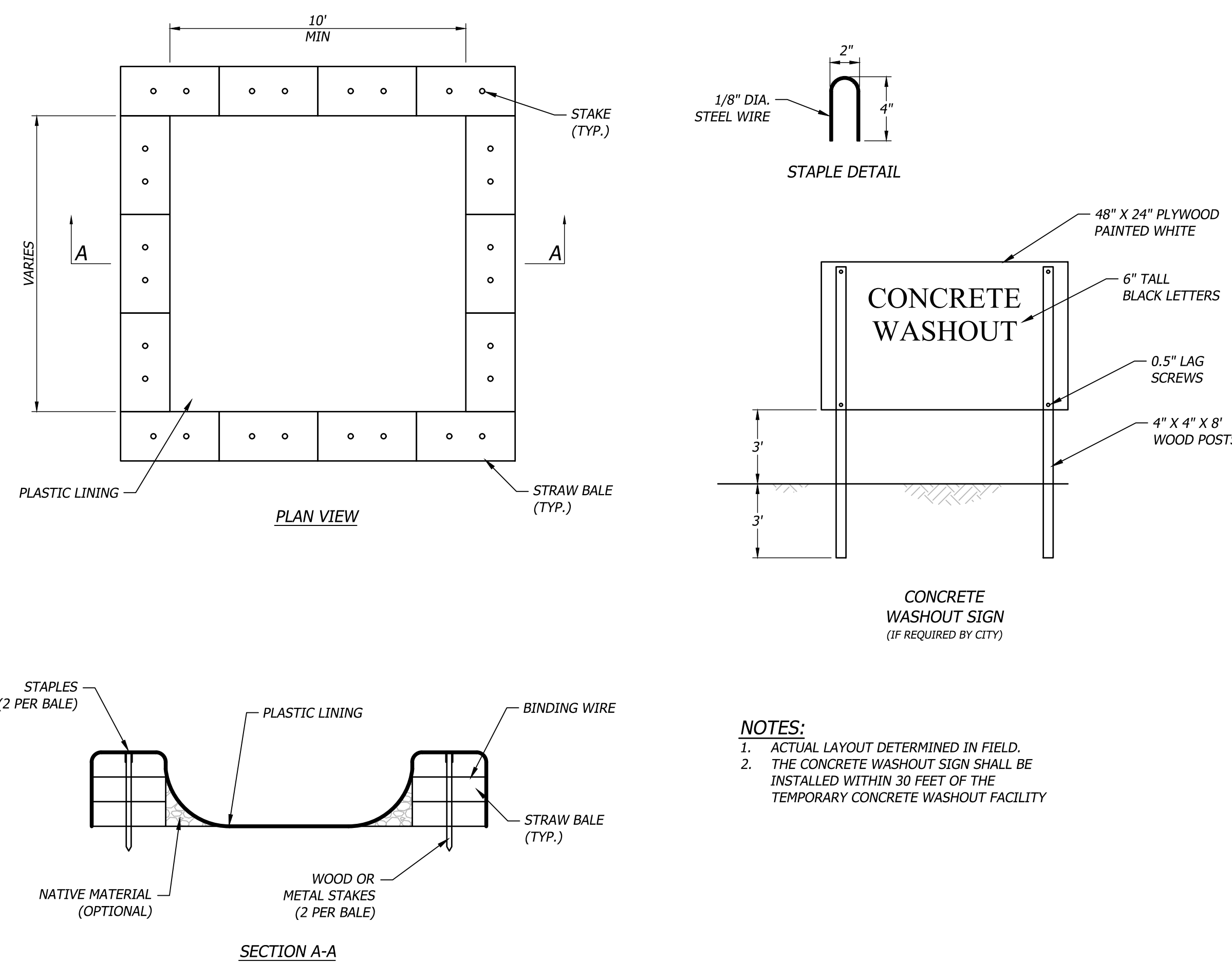
- NOTES:**
- MUST BE INSTALLED PROPERLY TO AVOID NOTICE OF VIOLATION.
 - SILT FENCE SHALL BE PLACED ON SLOPE CONTOURS TO MAXIMIZE POUNDING EFFICIENCY.
 - INSPECT AND REPAIR FENCE AFTER EACH STORM EVENT AND REMOVE SEDIMENT WHEN NECESSARY. 9\"/>
 - REMOVED SEDIMENT SHALL BE DEPOSITED TO AN AREA THAT WILL NOT CONTRIBUTE TO SEDIMENT OFF-SITE AND CAN BE PERMANENTLY STABILIZED.

601 Filter Fabric Silt Fence
Not to Scale



- CATCH BASIN**
- PLACE CURB TYPE ROCK BAG BARRIER ON GENTLY SLOPING STREET, WHERE WATER CAN POND AND ALLOW SEDIMENT TO SEPARATE FROM RUNOFF.
 - BAGS OF MOVEN GEOTEXTILE FABRIC, FILLED WITH GRAVEL MUST BE LAYERED SUCH THAT NO GAPS ARE EVIDENT.
 - LEAVE ONE SANDBAG GAP IN THE TOP ROW ON THE SIDE AWAY FROM FLOW, TO PROVIDE A SILLWAY, OR IN THE CENTER IF POUNDING IS NEEDED ON BOTH SIDES.
 - INSPECT BARRIERS AND REMOVE SEDIMENT AFTER EACH STORM EVENT, SEDIMENT AND GRAVEL MUST BE REMOVED FROM THE TRAVELED WAY IMMEDIATELY.

603 Storm Inlet Protection
Not to Scale



- NOTES:**
- ACTUAL LAYOUT DETERMINED IN FIELD.
 - THE CONCRETE WASHOUT SIGN SHALL BE INSTALLED WITHIN 30 FEET OF THE TEMPORARY CONCRETE WASHOUT FACILITY.

604 Concrete Washout
Not to Scale

PROJECT TITLE

Q39 (SHELL)
LEE'S SUMMIT, MO
OLDHAM VILLAGE
LEE'S SUMMIT, MO

PROJECT NUMBER	62910099
PROJECT MANAGER	DAWN BY
CHECKED BY	BRR
PROFESSIONAL SEAL	



COPYRIGHT NOTICE
THIS DRAWING WAS PREPARED FOR USE ON A SPECIFIC SITE. IT IS THE PROPERTY OF BRR ARCHITECTURE INC. AND IS NOT TO BE REPRODUCED OR USED ON ANY OTHER PROJECT WITHOUT THE WRITTEN PERMISSION OF BRR ARCHITECTURE INC. ANY REPRODUCTION OF THIS DRAWING FOR USE ON ANY OTHER PROJECT IS NOT AUTHORIZED AND MAY BE CONSIDERED TO BE ILLEGAL.

ISSUES AND REVISIONS

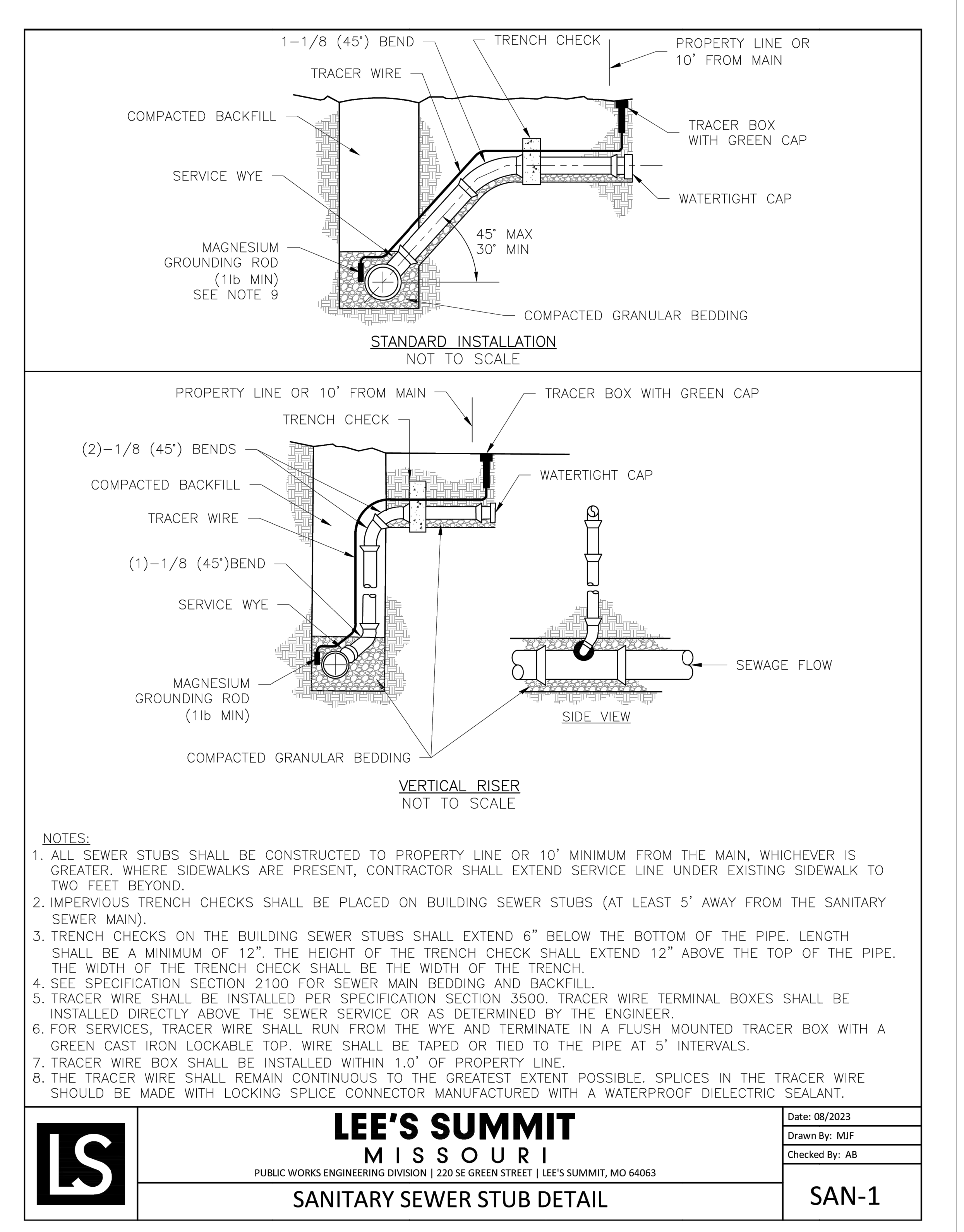
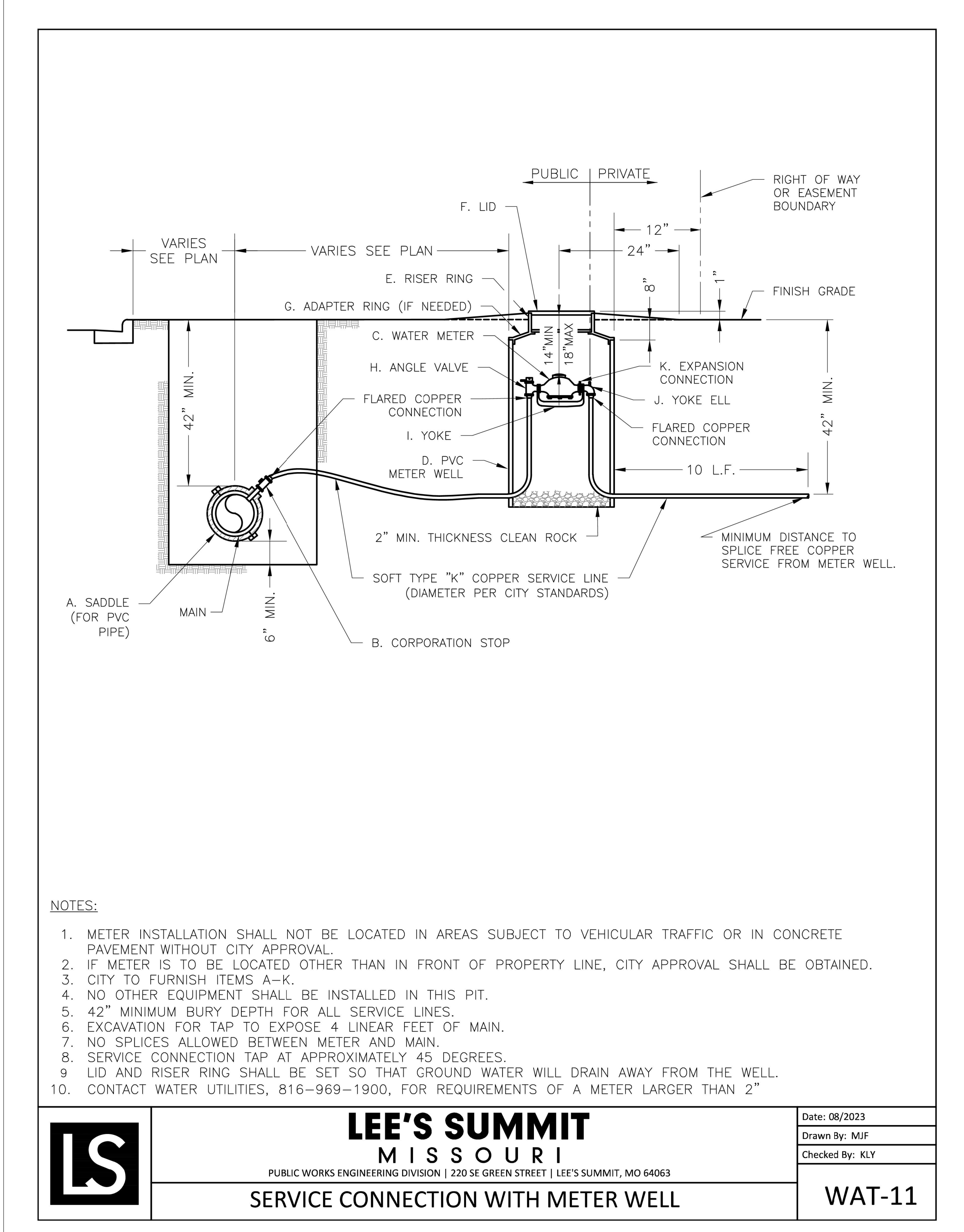
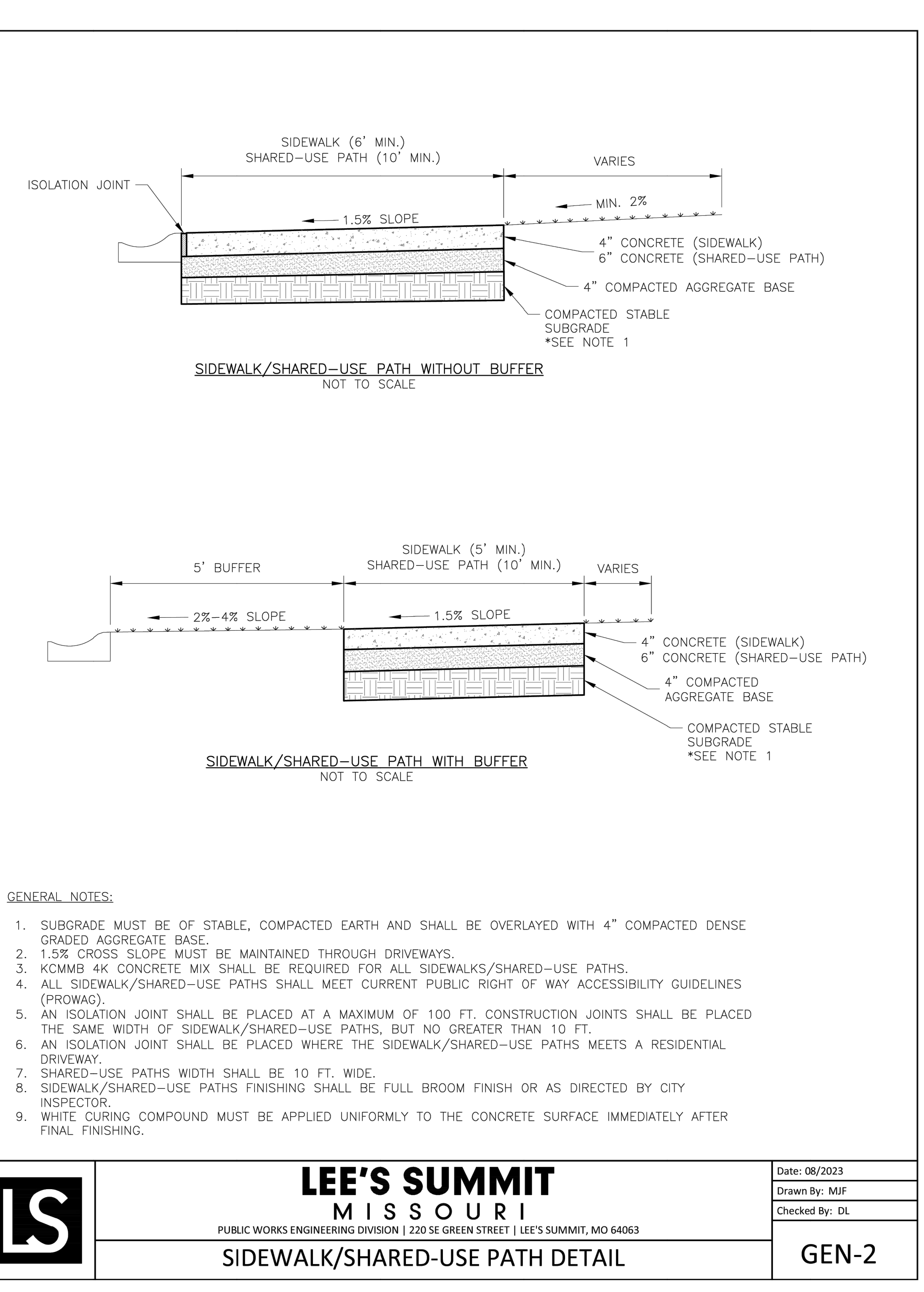
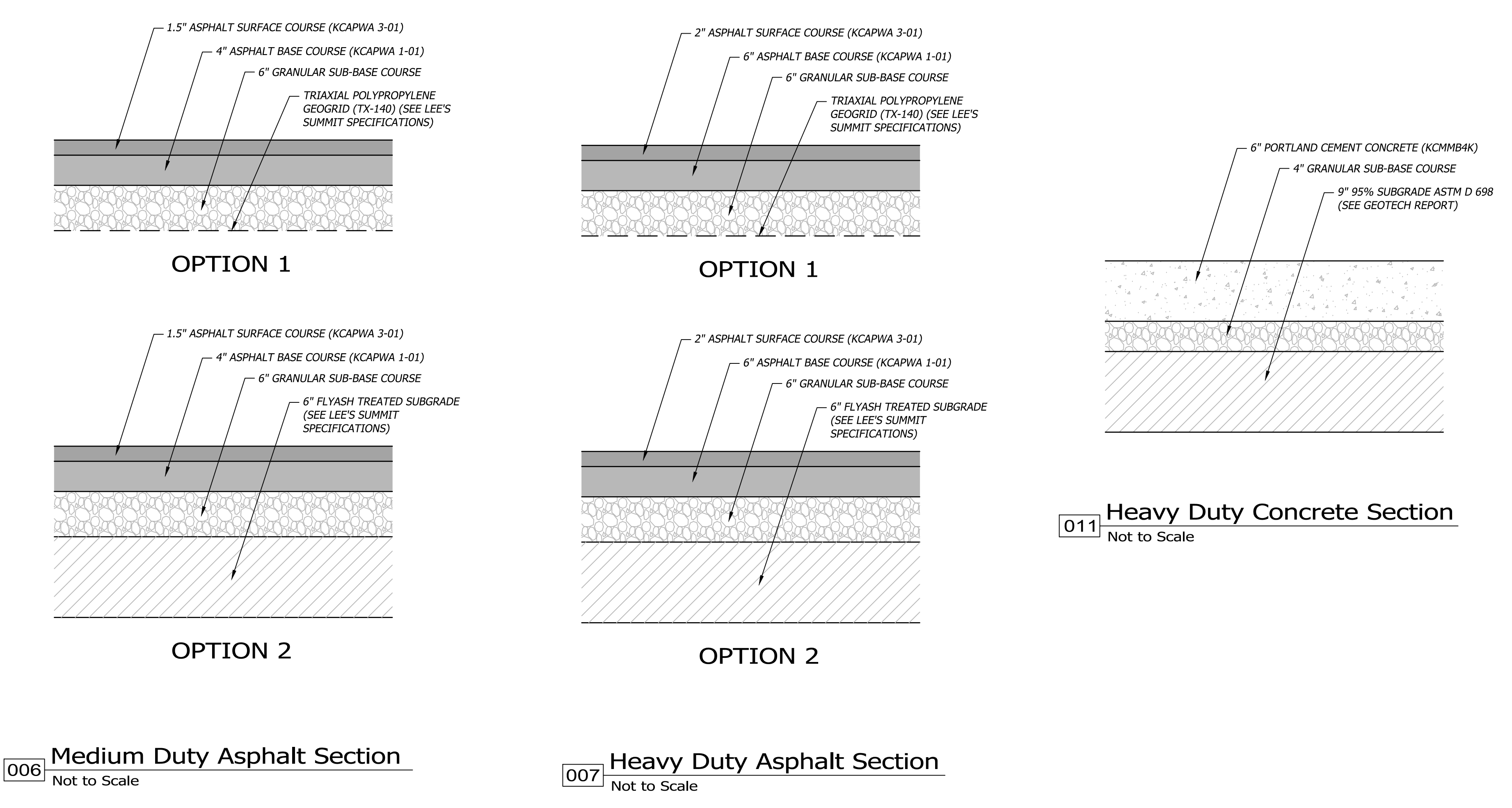
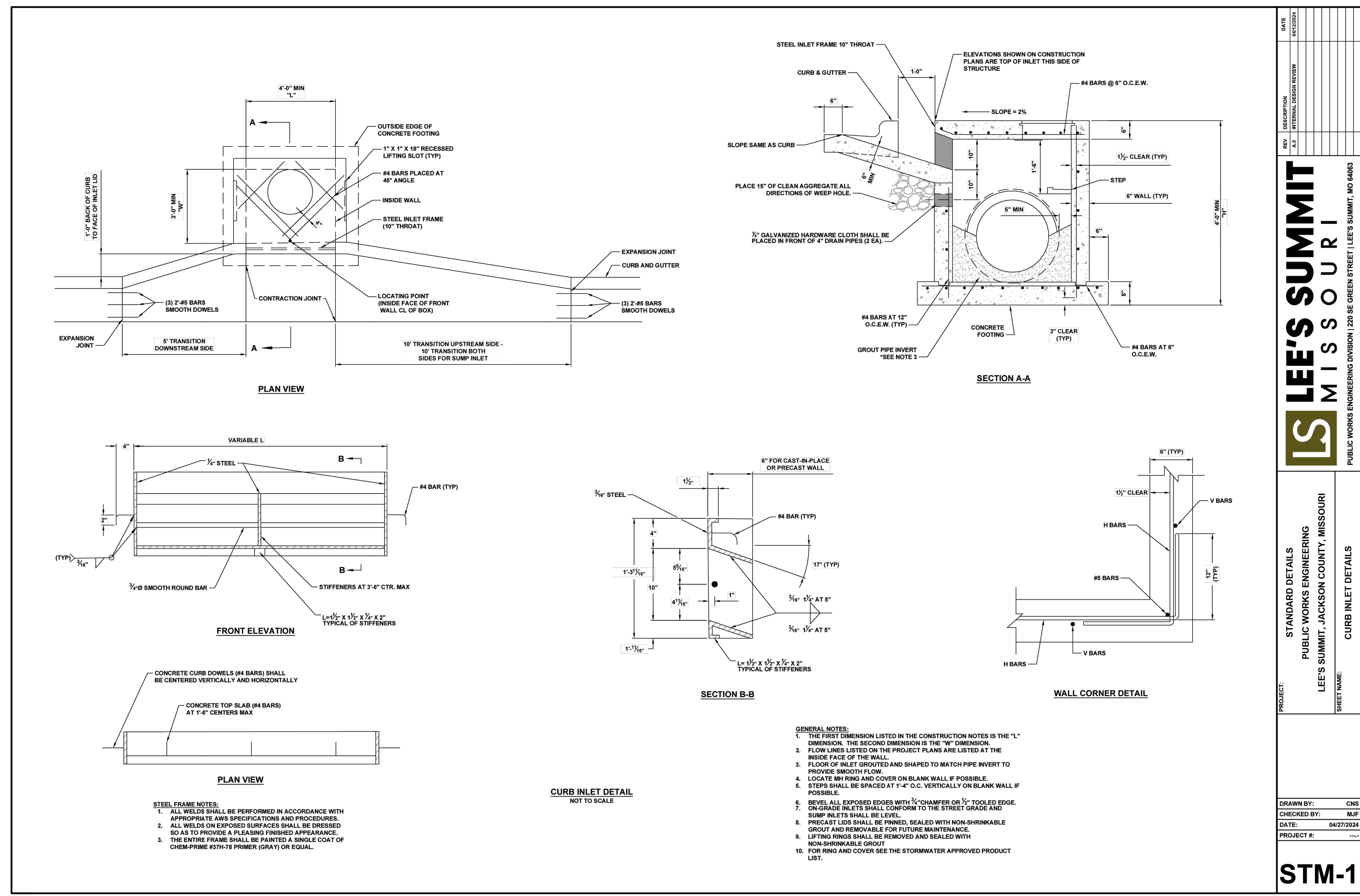
NUMBER	DATE	DESCRIPTION
1	08/20/25	ADDENDUM 1

SHEET NAME

EROSION CONTROL DETAILS

SHEET NUMBER

C900



brr
BRR ARCHITECTURE INC.
800 WESTLAF AVENUE
SUITE 200
OVERLAND PARK, KS 66214
WWW.BRRARCH.COM
TEL: 913-242-9999
FAX: 913-242-9844

BHC
CIVIL ENGINEERING / SURVEYING / UTILITIES
7101 College Blvd., Suite 400
Overland Park, Kansas 66210
p. (913) 663-1900
BHC is a trademark of Brungart International & Company, P.A.

PROJECT TITLE

PROJECT NUMBER	62910099
PROJECT MANAGER	DAWN BY
CHECKED BY	BRR
PROFESSIONAL SEAL	

Q39 (SHELL)
LEE'S SUMMIT, MO
OLDHAM VILLAGE
LEE'S SUMMIT, MO

REVISIONS

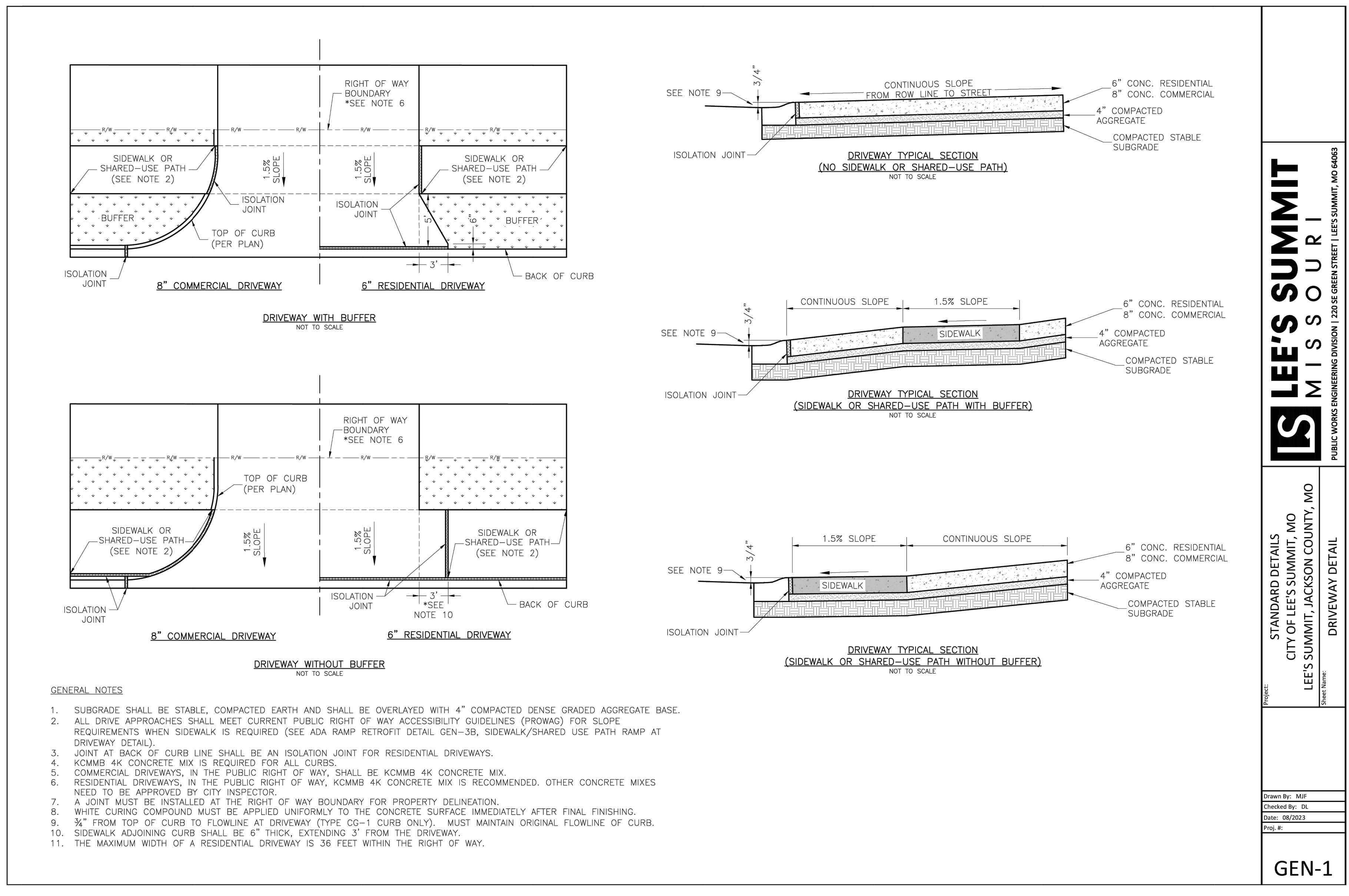
NUMBER	DATE	ISSUES	ORIGINAL ISSUES	DESCRIPTION
1	08/2023		ADDENDUM 1	



ISSUER AND REVISIONS

NUMBER	DATE	ISSUES	ORIGINAL ISSUES	DESCRIPTION
1	08/2023		ADDENDUM 1	

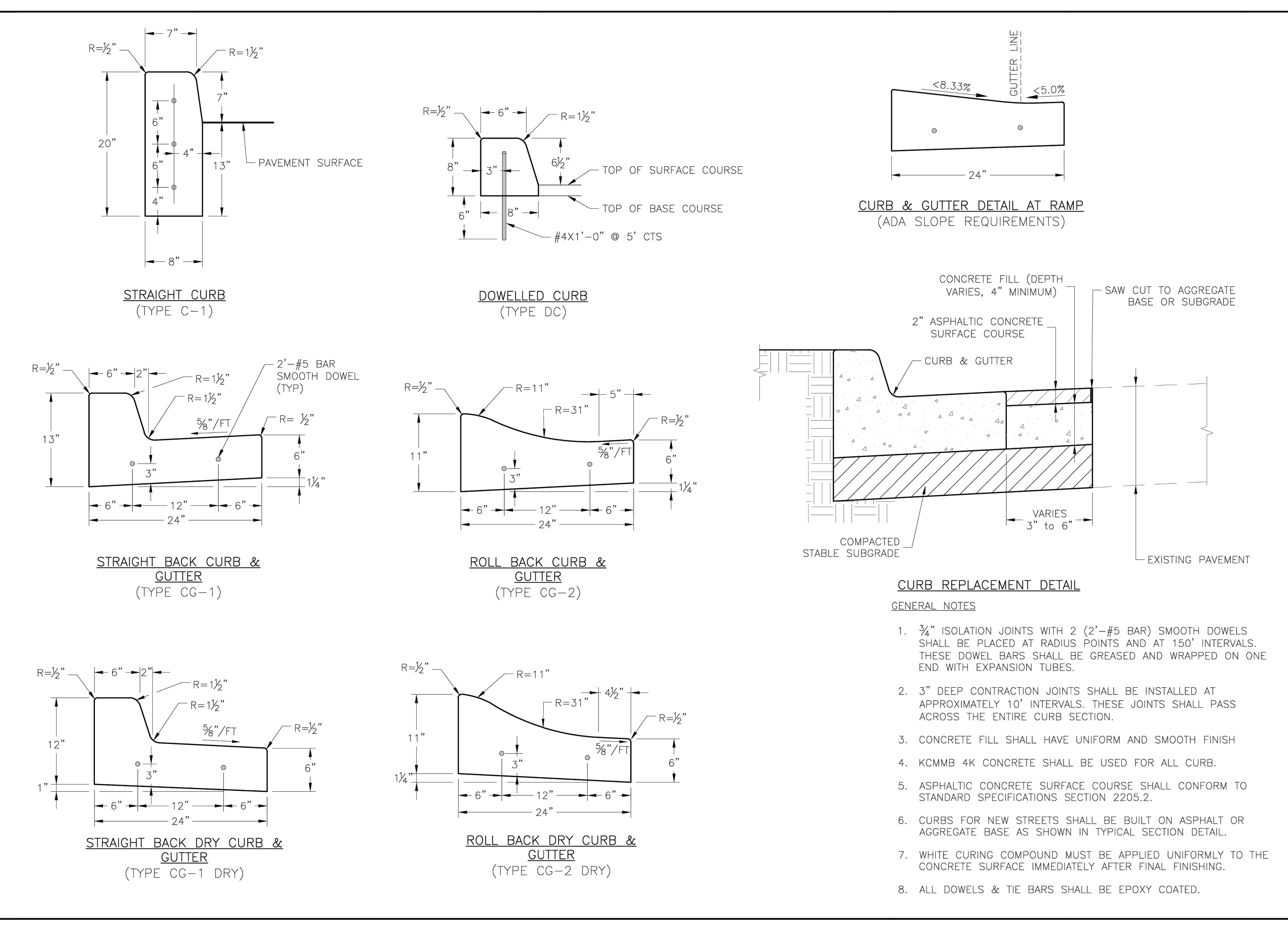
CONSTRUCTION DETAILS
SHEET NUMBER



LEE'S SUMMIT
MISSOURI
 PUBLIC WORKS ENGINEERING DIVISION | 1201 S. GREEN STREET | LEE'S SUMMIT, MO 64080

STANDARD DETAILS
 CITY OF LEE'S SUMMIT, MO
 LEE'S SUMMIT, JACKSON COUNTY, MO
 DRIVEWAY DETAIL

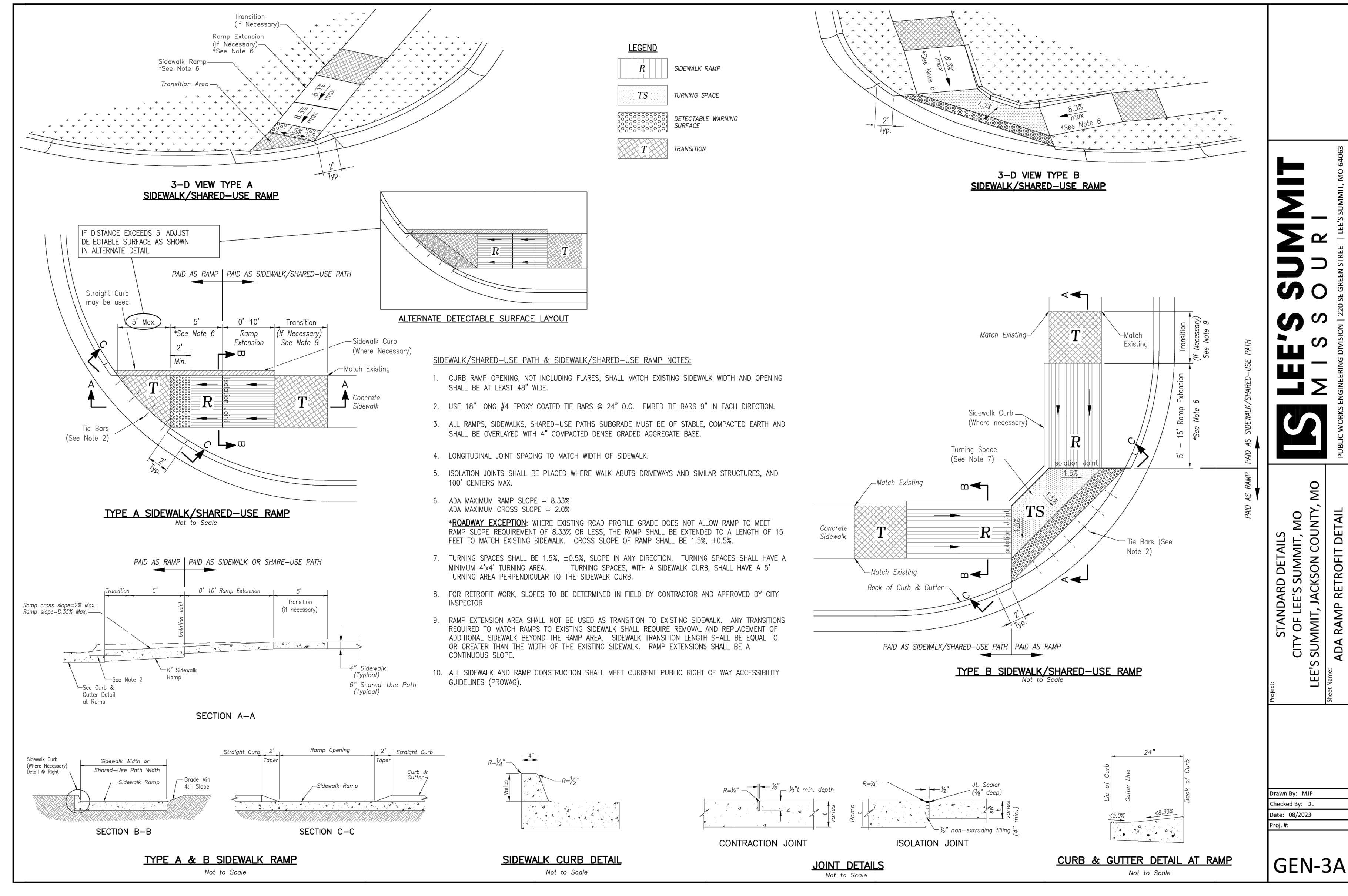
Drawn By: MJP
 Checked By: BRR
 Date: 08/20/23
 File: GEN-1



LEE'S SUMMIT
MISSOURI
 PUBLIC WORKS ENGINEERING DIVISION | 1201 S. GREEN STREET | LEE'S SUMMIT, MO 64080

STANDARD DETAILS
 CITY OF LEE'S SUMMIT, MO
 LEE'S SUMMIT, JACKSON COUNTY, MO
 CURB & GUTTER DETAIL

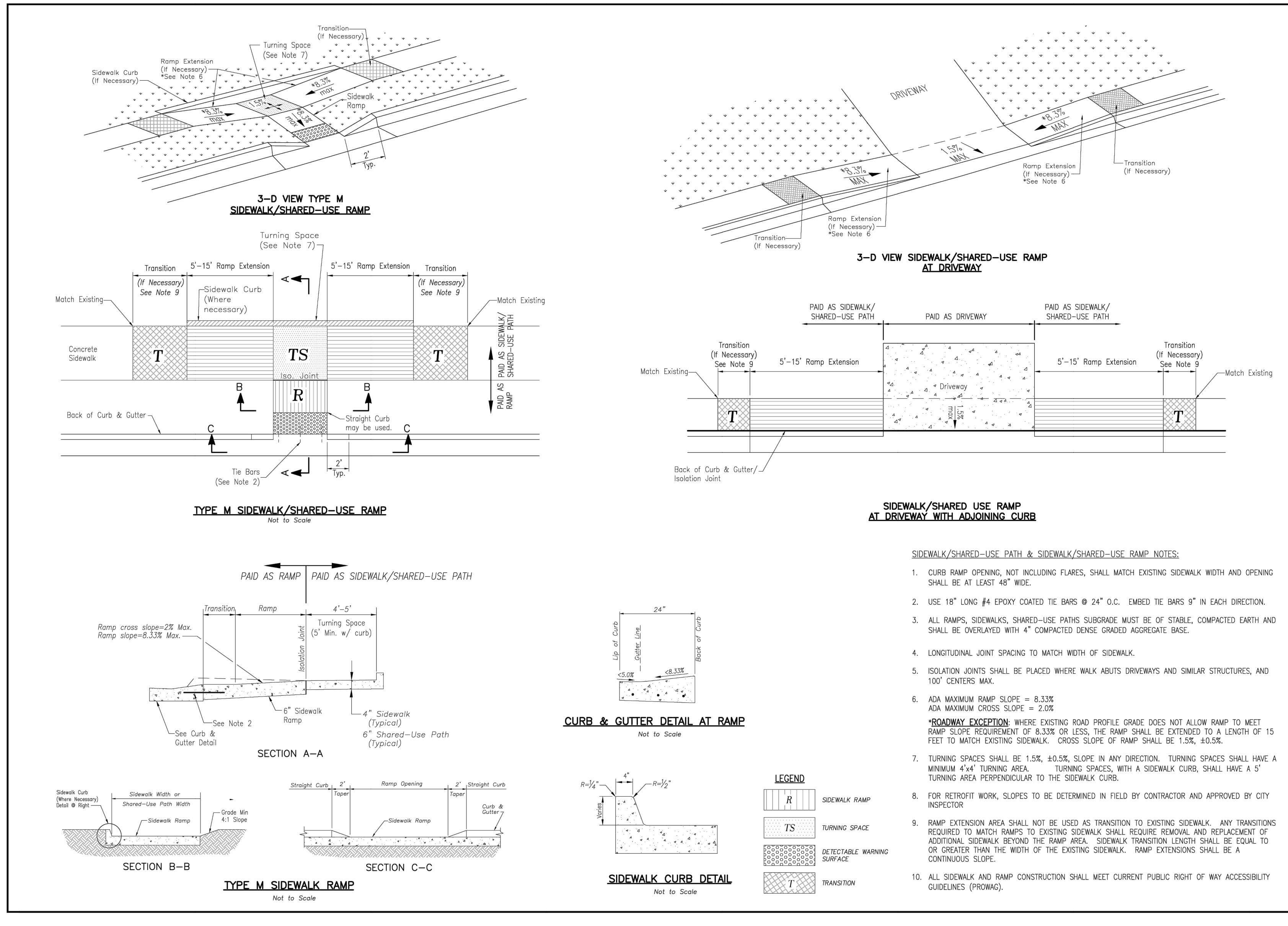
Drawn By: MJP
 Checked By: BRR
 Date: 08/20/23
 File: GEN-4



LEE'S SUMMIT
MISSOURI
 PUBLIC WORKS ENGINEERING DIVISION | 1201 S. GREEN STREET | LEE'S SUMMIT, MO 64080

STANDARD DETAILS
 CITY OF LEE'S SUMMIT, MO
 LEE'S SUMMIT, JACKSON COUNTY, MO
 ADA RAMP RETROFIT DETAIL

Drawn By: MJP
 Checked By: BRR
 Date: 08/20/23
 File: GEN-3A



LEE'S SUMMIT
MISSOURI
 PUBLIC WORKS ENGINEERING DIVISION | 1201 S. GREEN STREET | LEE'S SUMMIT, MO 64080

STANDARD DETAILS
 CITY OF LEE'S SUMMIT, MO
 LEE'S SUMMIT, JACKSON COUNTY, MO
 ADA RAMP RETROFIT DETAIL

Drawn By: MJP
 Checked By: BRR
 Date: 08/20/23
 File: GEN-3B

ARCHITECT OF RECORD
brr
 BRR ARCHITECTURE INC.
 814 WESTPARK AVENUE
 SUITE 100
 OVERLAND PARK, KS 66211
 WWW.BRRARCH.COM
 TEL: 913-242-9095
 FAX: 913-242-9844

CONSULTANT
BHC
 CIVIL ENGINEERING / SURVEYING / UTILITIES
 7101 College Blvd., Suite 400
 Overland Park, Kansas 66210
 p. (913) 663-1900
 BHC is a trademark of Brudergate International & Company, P.A.

CLIENT

PROJECT TITLE

Q39 (SHELL)
LEE'S SUMMIT, MO
 OLDHAM VILLAGE
 LEE'S SUMMIT, MO

PROJECT NUMBER: 62910099
 PROJECT MANAGER: BRR
 DRAWN BY: BRR
 CHECKED BY: BRR
 PROFESSIONAL SEAL:



COPYRIGHT NOTICE

THIS DRAWING WAS PREPARED FOR USE ON A SPECIFIC SITE. IT IS THE PROPERTY OF BRR ARCHITECTURE INC. AND IS NOT TO BE REPRODUCED OR USED FOR ANY OTHER PROJECT WITHOUT THE WRITTEN PERMISSION OF BRR ARCHITECTURE INC. ANY REPRODUCTION OR USE OF THIS DRAWING FOR ANY OTHER PROJECT WITHOUT THE WRITTEN PERMISSION OF BRR ARCHITECTURE INC. IS PROHIBITED AND WILL BE CONSIDERED A VIOLATION OF APPLICABLE LAWS AND REGULATIONS. BRR ARCHITECTURE INC. ACCEPTS NO LIABILITY FOR ANY ERRORS OR OMISSIONS IN THIS DRAWING.

ISSUES AND REVISIONS

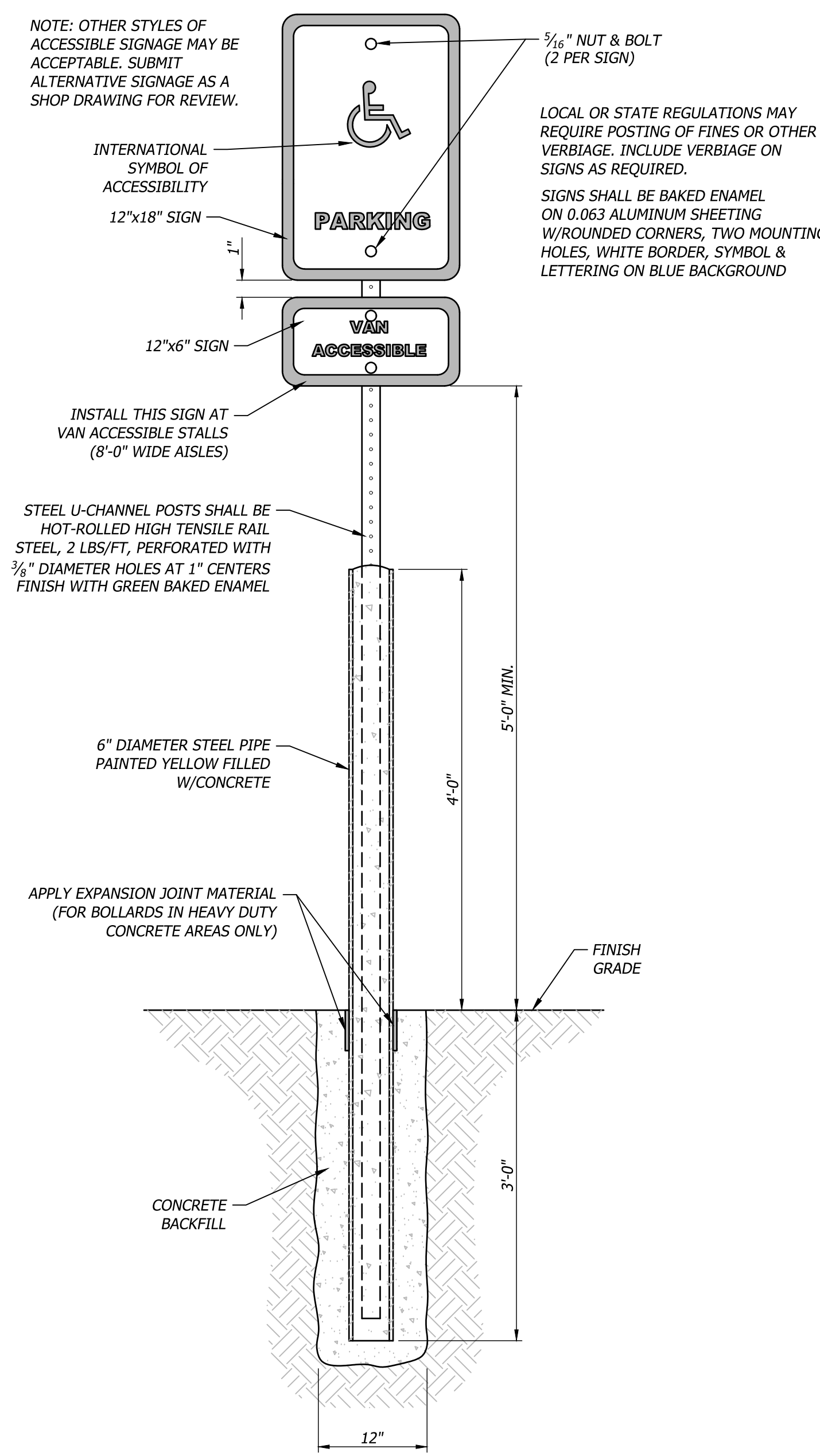
NUMBER	DATE	ISSUES	ORIGINAL ISSUE	DESCRIPTION
1	08/20/23	ADDENDUM 1		

SHEET NAME

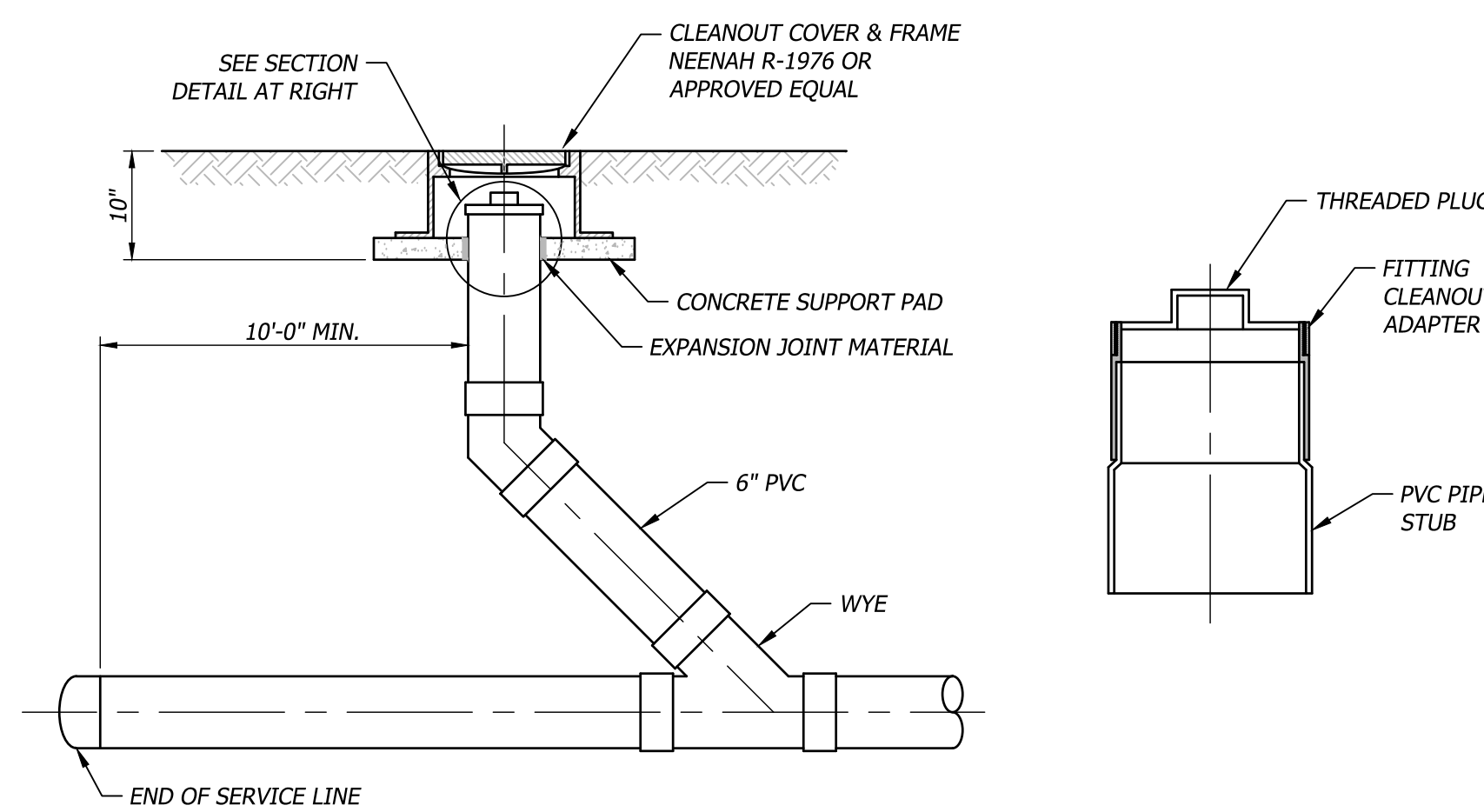
CONSTRUCTION DETAILS
 SHEET NUMBER

C902

04/04/2025

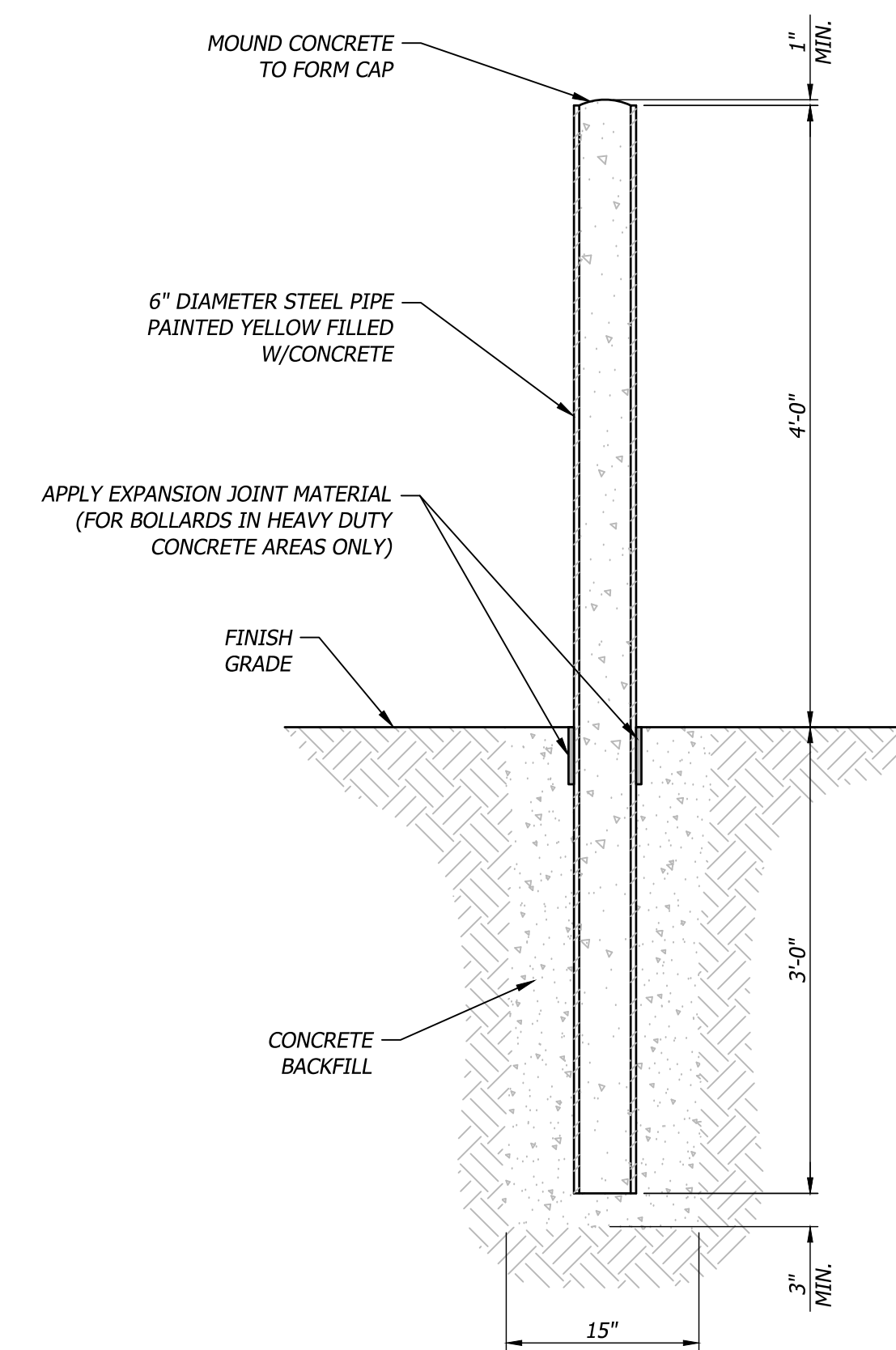


022 ADA Parking Signage
Not to Scale

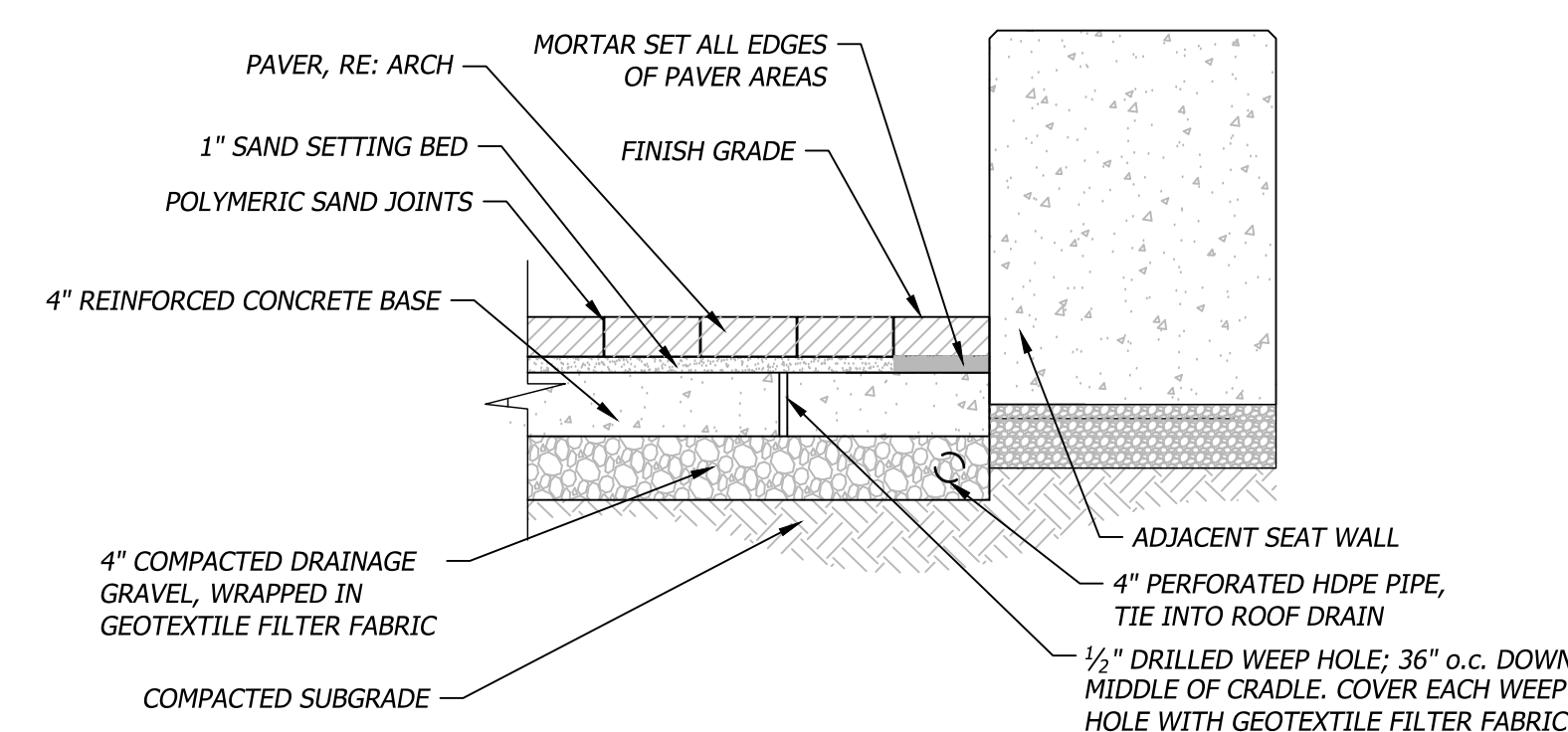


201 Cleanout
Not to Scale

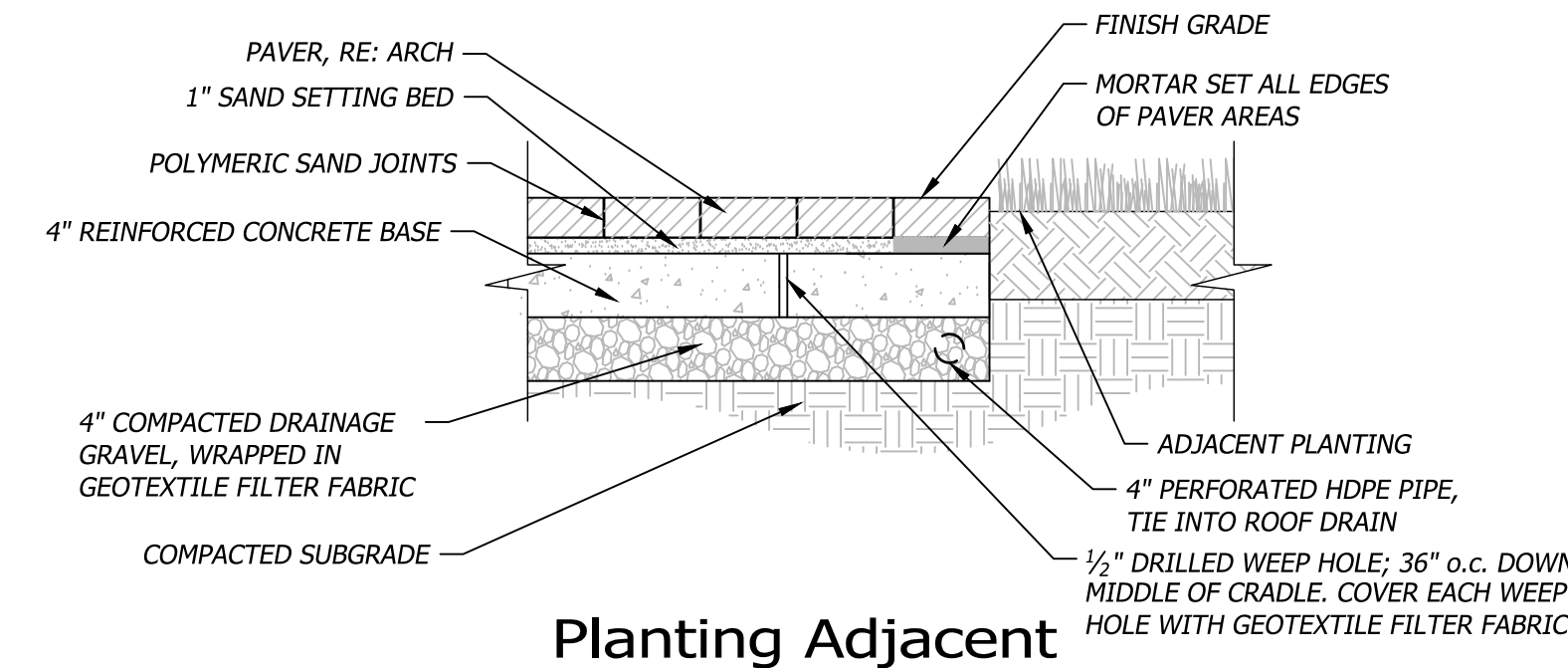
- GENERAL NOTES:
1. CONSTRUCTED OF STEEL NOT LESS THAN 4" IN DIAMETER AND CONCRETE FILLED.
 2. SPACE NOT MORE THAN 4' BETWEEN POST.
 3. SET NOT LESS THAN 3' DEEP IN A CONCRETE FOOTING OF NOT LESS THAN A 15" DIAMETER.
 4. SET WITH THE TOP OF THE POST NOT LESS THAN 3' ABOVE GROUND.
 5. LOCATED NOT LESS THAN 3' FROM THE PROTECTED OBJECT.



017 Steel/Concrete Bollard
Not to Scale

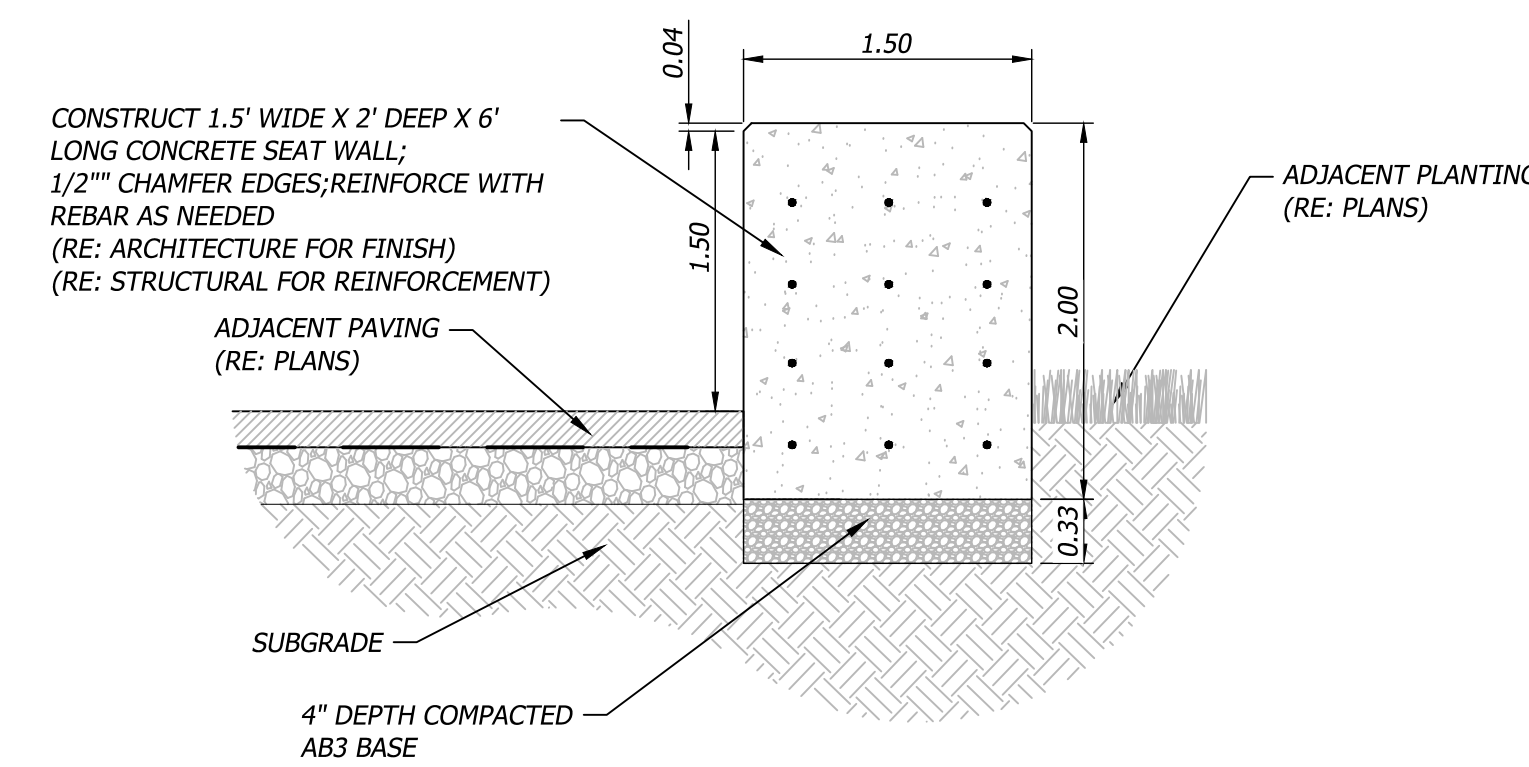


Seat Wall Adjacent

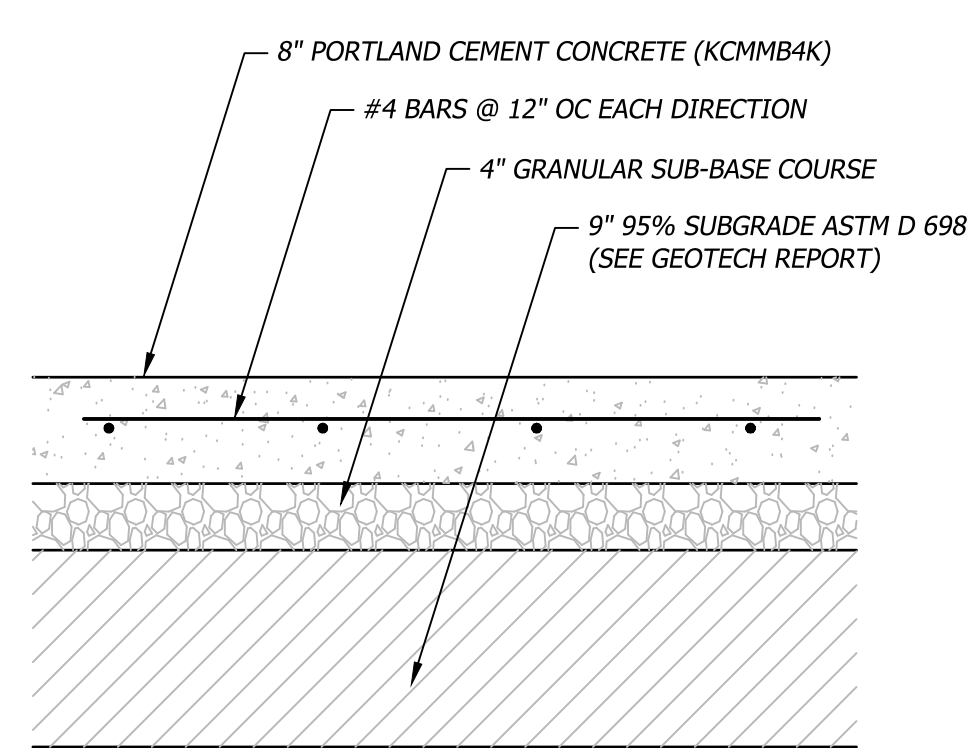


Planting Adjacent

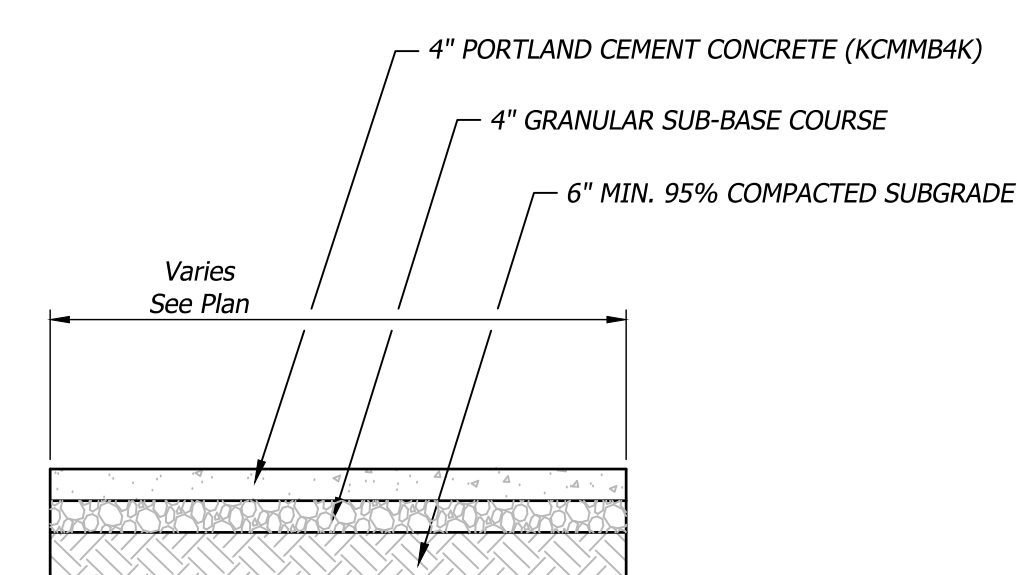
015 Paver Detail
Not to Scale



016 Concrete Seat Wall
Not to Scale



012 Concrete Dumpster Pad Section
Not to Scale



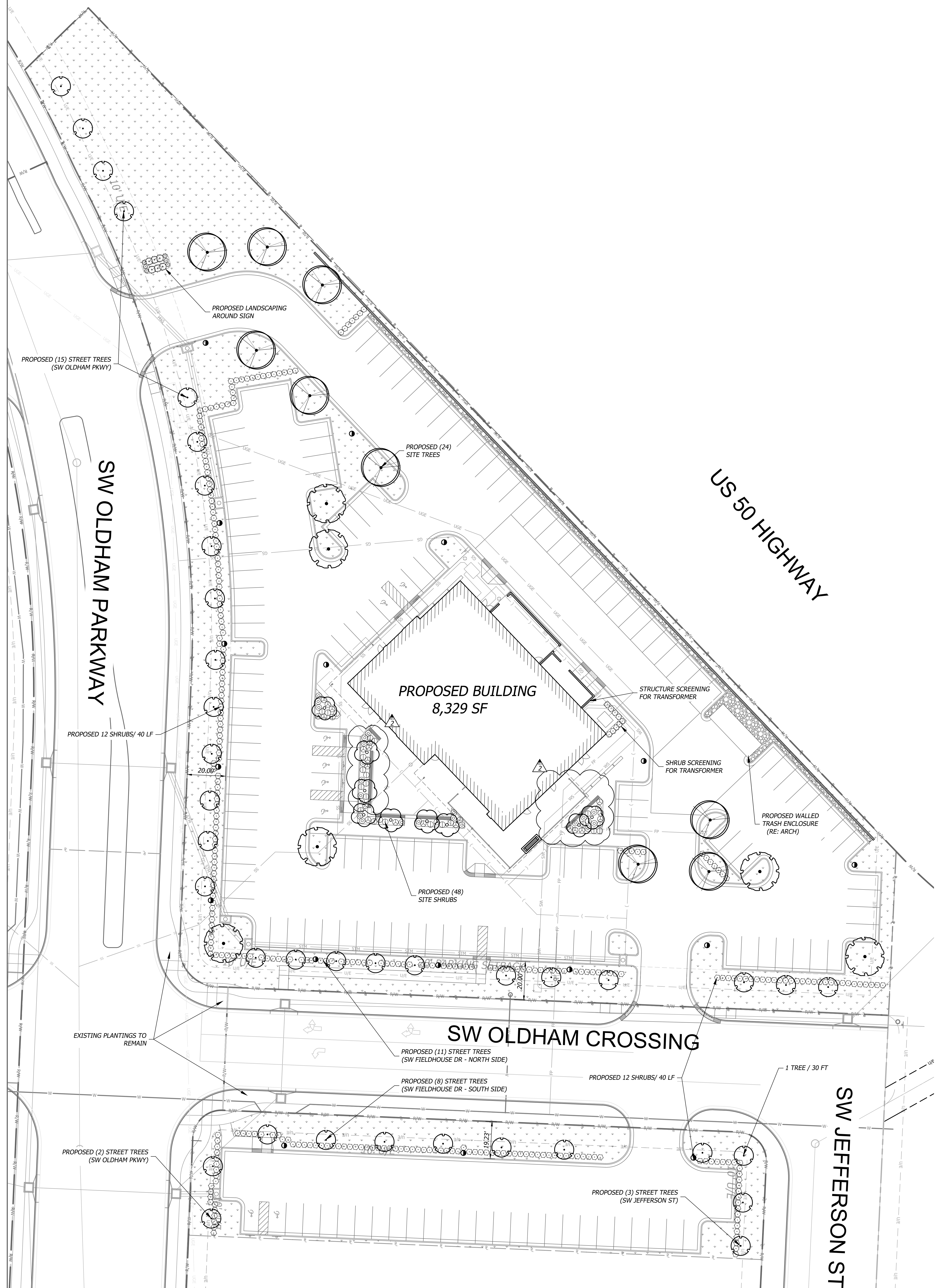
014 Concrete Sidewalk Section
Not to Scale

PROJECT NUMBER	62910099
PROJECT MANAGER	BRR
DRAWN BY	BRR
CHECKED BY	
PROFESSIONAL SEAL	



COPYRIGHT NOTICE
THIS DRAWING WAS PREPARED FOR USE ON A SPECIFIC SITE. IT IS NOT TO BE REPRODUCED OR USED FOR ANY OTHER PROJECT WITHOUT THE WRITTEN PERMISSION OF BRR ARCHITECTURE INC. OR BHC. ANY REPRODUCTION OR USE OF THIS DRAWING FOR ANY OTHER PROJECT WITHOUT THE WRITTEN PERMISSION OF BRR ARCHITECTURE INC. OR BHC IS STRICTLY PROHIBITED.

NUMBER	DATE	ISSUE	DESCRIPTION
1	08/20/25	ADDENDUM 1	



PLANT SCHEDULE

SYMBOL	CODE	QTY	BOTANICAL / COMMON NAME	CONT	CAL	REMARKS
TREES						
	CP	38	Celtis occidentalis 'Prairie Sentinel' Prairie Sentinel Hackberry	B & B	2.5" Cal	FOR PLANTING SPECIFICATIONS SEE SHEET L200
	NH	9	Nyssa sylvatica 'Haymanred' TM Red Rage Tupelo	B & B	2.5" Cal	
	PP	9	Populus tremuloides 'NE Arb' Prairie Gold® Quaking Aspen	B & B	2.5" Cal	
	QU	6	Quercus macrocarpa 'JFS-KW3' TM Urban Pinnacle Oak	B & B	2.5" Cal	
SHRUBS						
	BG	346	Buxus x 'Green Velvet' Green Velvet Boxwood	5 gal		FOR PLANTING SPECIFICATIONS SEE SHEET L200
ANNUALS/PERENNIALS						
	PD	6	Phlox subulata 'White Delight' White Delight Creeping Phlox	2 gal		
PERENNIALS						
	BA	24	Routeloua gracilis 'Blonde Ambition' Blonde Ambition Blue Grama	2 gal		FOR PLANTING SPECIFICATIONS SEE SHEET L200
	SB	24	Schizachyrium scoparium 'Minibluet' Blue Heaven Little Bluestem	3 gal		
	SH	23	Sporobolus heterolepis Prairie Dropseed	5 gal		
EVERGREEN SHRUBS						
	JW	6	Juniperus horizontalis 'Wiltonii' Blue Rug Juniper	5 gal		
GROUND COVERS						
		37,856 sf	Festuca arundinacea 'Watersaver Blend' Watersaving Blend of Tall Fescue	sod		Sod: 90% 3-species Turf-Type Fescue Blend (Covenant II, Avenger, Garrison), 10% Bluegrass.

ROCK SCHEDULE

	ROCK MULCH	854 sf	Buffalo River Rock or regional equal. Size: 1"-3". Depth: 3". SAMPLE OF ROCK MULCH TO BE PROVIDED TO OWNER AND ARCHITECT FOR APPROVAL.
--	------------	--------	---

NOTE: ALL PLANTING AREAS TO BE COVERED WITH CODE APPROVED GROUND COVER SUCH AS MULCH, SOD, OR OTHER APPROVED EQUAL.
NOTE: ALL DISTURBED AREAS IN RIGHT OF WAY TO BE RESTORED TO PRIOR CONDITION OR RESEEDED WITH TURF FESCUE GRASS.

SITE DATA

	Quantity	Required	Provided
Site Area	119,464		
Open Space Req			
1 tree / 5000 sq ft	119,464	23.89	24
2 shrubs / 5000 sq ft	119,464	47.79	48
Street Tree			
1 tree / 30 LF of street			
SW Oldham Pkwy	502 LF	16.73	17
SW Fieldhouse Dr - North Side	318 LF	10.6	11
SW Fieldhouse Dr - South Side	225 LF	7.5	8
SW Jefferson St	67 LF	2.23	3
Parking Landscape			
total LA are 5% of parking area	N/A	Yes	Yes
12 shrubs / 40 LF	1112 LF	333.6	335
islands to be min 9' wide	N/A	Yes	Yes

LEGEND

	PROPOSED STORM SEWER LINE
	PROPOSED ROOF LINE DRAIN
	PROPERTY LINE
	RIGHT-OF-WAY LINE

ARCHITECT OF RECORD

brr

BRR ARCHITECTURE INC.
818 WESTLAF AVENUE
SUITE 200
OVERLAND PARK, KS 66204
WWW.BRRARCH.COM
TEL: 913-282-9895
FAC: 913-282-8844

CONSULTANT

BHC

CIVIL ENGINEERING / SURVEYING / UTILITIES
7101 College Blvd., Suite 400
Overland Park, Kansas 66210
p. (913) 463-1900
BHC is a member of the HOK Group.

CLIENT

PROJECT TITLE

Q39 (SHELL)

LEE'S SUMMIT, MO

OLDHAM VILLAGE
LEE'S SUMMIT, MO

PROJECT NUMBER	62910099
PROJECT MANAGER	BRR
DRAWN BY	BRR
CHECKED BY	
PROFESSIONAL SEAL	



COPYRIGHT NOTICE

THIS DRAWING WAS PREPARED FOR USE ON A SPECIFIC SITE. IT IS THE PROPERTY OF BRR ARCHITECTURE INC. AND IS NOT TO BE REPRODUCED OR USED IN ANY MANNER WITHOUT THE WRITTEN PERMISSION OF BRR ARCHITECTURE INC. ANY REPRODUCTION OR USE OF THIS DRAWING FOR ANY OTHER PROJECT WITHOUT THE WRITTEN PERMISSION OF BRR ARCHITECTURE INC. IS STRICTLY PROHIBITED.

ISSUES AND REVISIONS

NUMBER	DATE	ISSUES	DESCRIPTION
1	06/20/25	ADDENDUM 1	ADDENDUM 1
2	10/13/25	ADDENDUM 2	ADDENDUM 2

LANDSCAPE PLAN

SHEET NUMBER

L100

04/04/2025

BRR ORIGINAL PRINTED ON RECYCLED PAPER

PLANTING NOTES

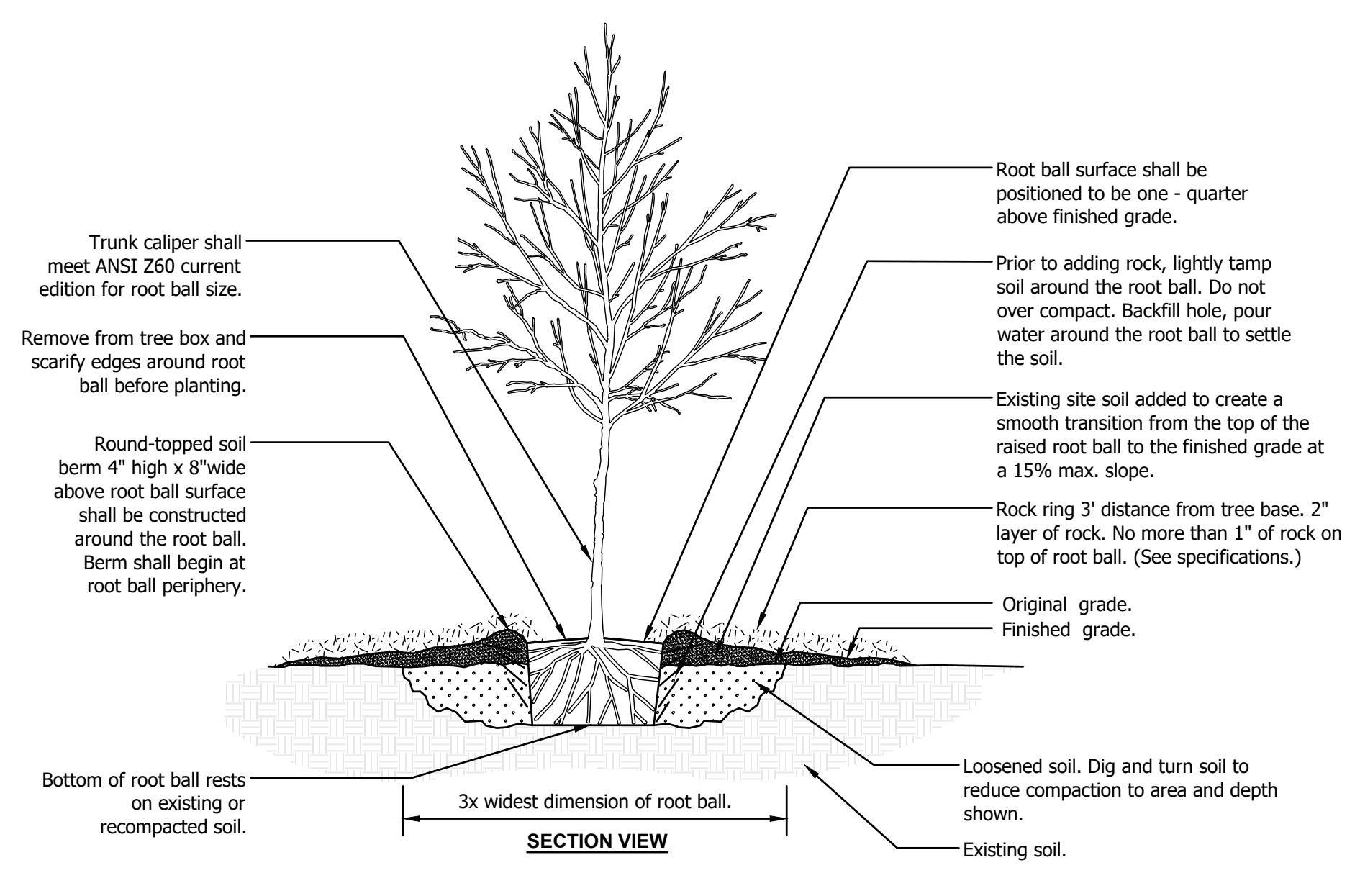
- All existing utilities need to be located and identified prior to the commencement of any work or installation.
- Protect all structures, utilities, hardscapes, and other facilities, as well as existing turf grass areas and existing plant material from damage caused by planting operations.
- The planting plan graphically illustrates overall plant massings. Each plant species massing shall be placed in the field to utilize the greatest coverage of ground plane. The following applies for individual plantings unless otherwise specified:
 - Croeping groundcover shall be a minimum of 6" from any paving edge.
 - All shrubs shall be a minimum of 2' from any paving edge unless adjacent to vehicular parking areas, whereas shrubs shall then be a minimum of 4' from back of curb to allow for bumper overhang.
 - All trees shall be a minimum of 3' from any paving edge or curb.
 - All plants of the same species shall be equally spaced apart and placed for best aesthetic viewing and overall plant success.
- Mulch all planting bed areas with decomposed granite to a minimum depth of 2".

- MATERIALS:**
- Plant material shall be healthy, vigorous, and free of disease and insects as per AAN standards.
 - Kind, size, and quality of plant material shall conform to American Standard for Nursery Stock, ANSI Z601-1-2014, or most current edition.
 - Any seed planted areas shall not use wet, moldy, or otherwise damaged seed.
 - Shredded bark mulch installed at trees shall be finely chipped and shredded hardwood chips, consisting of pure wood products and free of all other foreign substances. Fine bark compost mulch installed at planting bed areas shall be free of all other foreign substances.
 - Topsoil shall be free of stones larger than 1", foreign matter, plants, roots, and seeds.
 - Manure shall be well-rotted, unbleached, stable or cattle manure containing not more than 25% by volume of straw, sawdust, or other bedding materials and shall be free of toxic substances, stones, sticks, soil, weed seeds, and material harmful to plant growth.

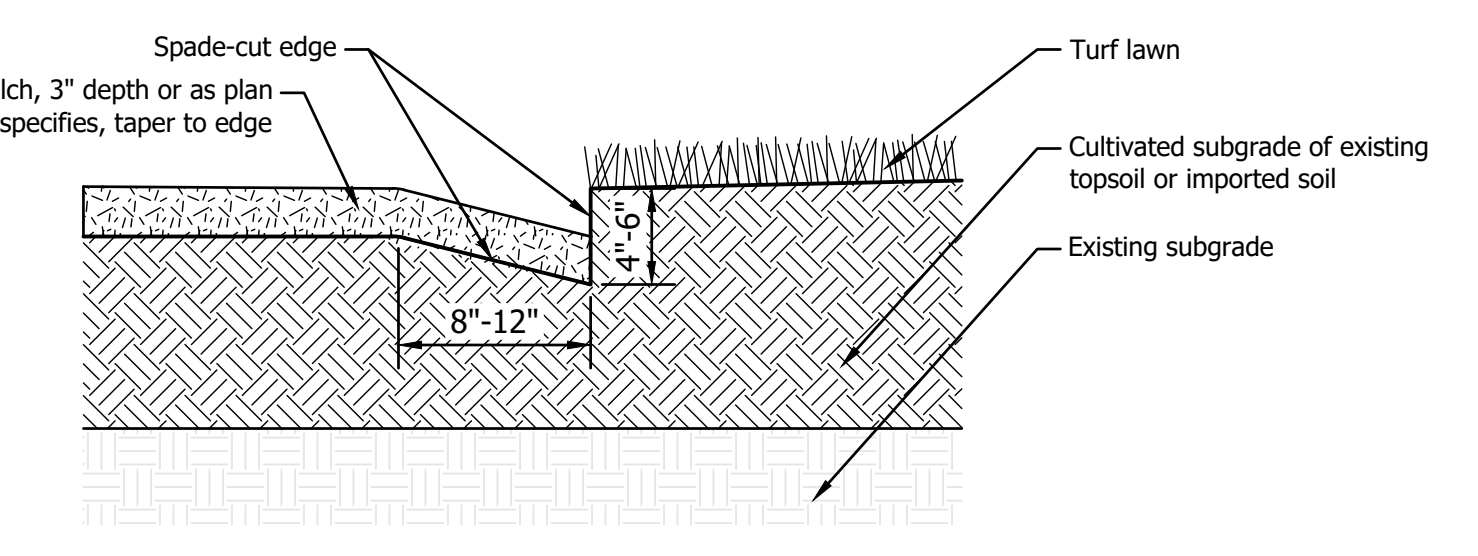
- INSTALLATION:**
- All compacted soil within the area to be landscaped shall be removed to a depth of not less than 2" and shall be backfilled with topsoil.
 - Prepare planting beds by incorporating an approved composed organic soil into existing soil for all shrub, perennial, and annual planting beds at a minimum depth of 6". Thoroughly mix organic material into the existing soil by roto-tilling or other approved method to a minimum depth of 12".
 - Planting of trees, shrubs, and seeded groundcover shall commence during the spring (March 15 - June 15) or fall (September 1 - October 15) planting season. Water shall be available for hand irrigation purposes.
 - Apply liquid root stimulator to all shrubs and groundcovers at rates recommended by manufacturer during first plant watering following installation.
 - After plants have been installed, all planting beds shall be treated with dacthal pre-emergent herbicide prior to mulch application.
 - All planting areas shall be brought to a smooth, uniform surface, free of ruts and irregularities. All landscape beds shall be level with surrounding surfaces or hardscape unless specified otherwise.
 - Plant pit backfill for trees and shrubs shall be 20% peat or well composted manure and 80% topsoil.
 - Trees, shrubs, and perennials shall not be pruned or trimmed before delivery, and shall not be pruned during or after installation except to remove damaged or dead growth.
 - Plant material shall be guaranteed for a period of one year after owner's acceptance of finished job. All dead or damaged plant material shall be replaced at landscape contractor's expense.
 - Landscape contractor shall maintain all plant material until final acceptance, at which point the one year guarantee begins.

SOD NOTES

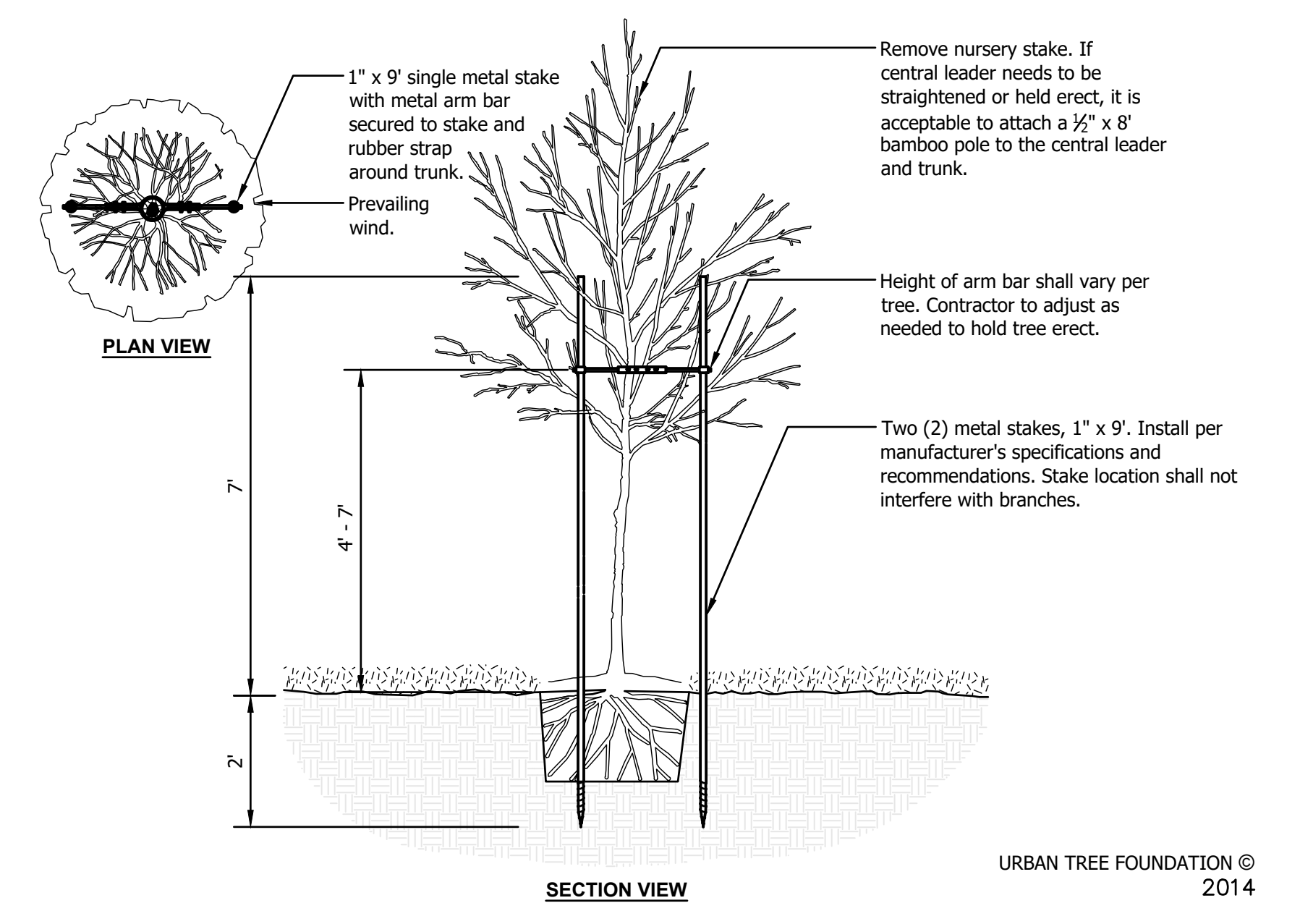
- All disturbed areas shall be sodded/seeded with turf-type tall fescue sod with a minimum of three cultivars.
- All landscaped areas shall receive a minimum 6" depth of topsoil compacted to 85% density at optimum moisture content.
- The entire surface to be landscaped should be reasonably smooth and free from stones 1" and larger, sticks, roots, debris, and other extraneous material in the top 6" of soil.
- Sod shall be machine striped at a uniform soil thickness of approximately 1" (plus or minus 1/2"). The measurement for thickness shall exclude top growth and thatch, and shall be determined at the time of cutting in the field. Precautions shall be taken to prevent drying and heating. Sod damaged by heat and dry conditions, and sod cut more than 18 hours prior to installation shall not be used.
- Handling of sod shall be done in a manner that will prevent tearing, breaking, drying, and other damage. Protect exposed roots from dehydration. Do not deliver more sod than can be laid within 24 hours.
- Moisten prepared surface immediately prior to laying sod. Water thoroughly and allow surface to dry before installing sod, fertilize, harrow or rake fertilizer in the top 1/2" of topsoil, at a uniform rate.
- Fertilizer shall be 20-10-5 commercial fertilizer of the grade, type, and form specified and shall comply with the rules of the State Department of Agriculture. Fertilizer shall be identified according to the percent N,P,K respectively.
- Saturate sod with fine water spray within two hours of planting. During the first week after planting, water daily or more frequently as necessary to maintain moist soil to a minimum of 4" depth.



801 Tree Planting Detail
Not to Scale



804 Spade Cut Edge Detail
Not to Scale



802 Tree Staking Detail
Not to Scale

SURE-LOC

SELECT DESIRED SIZE

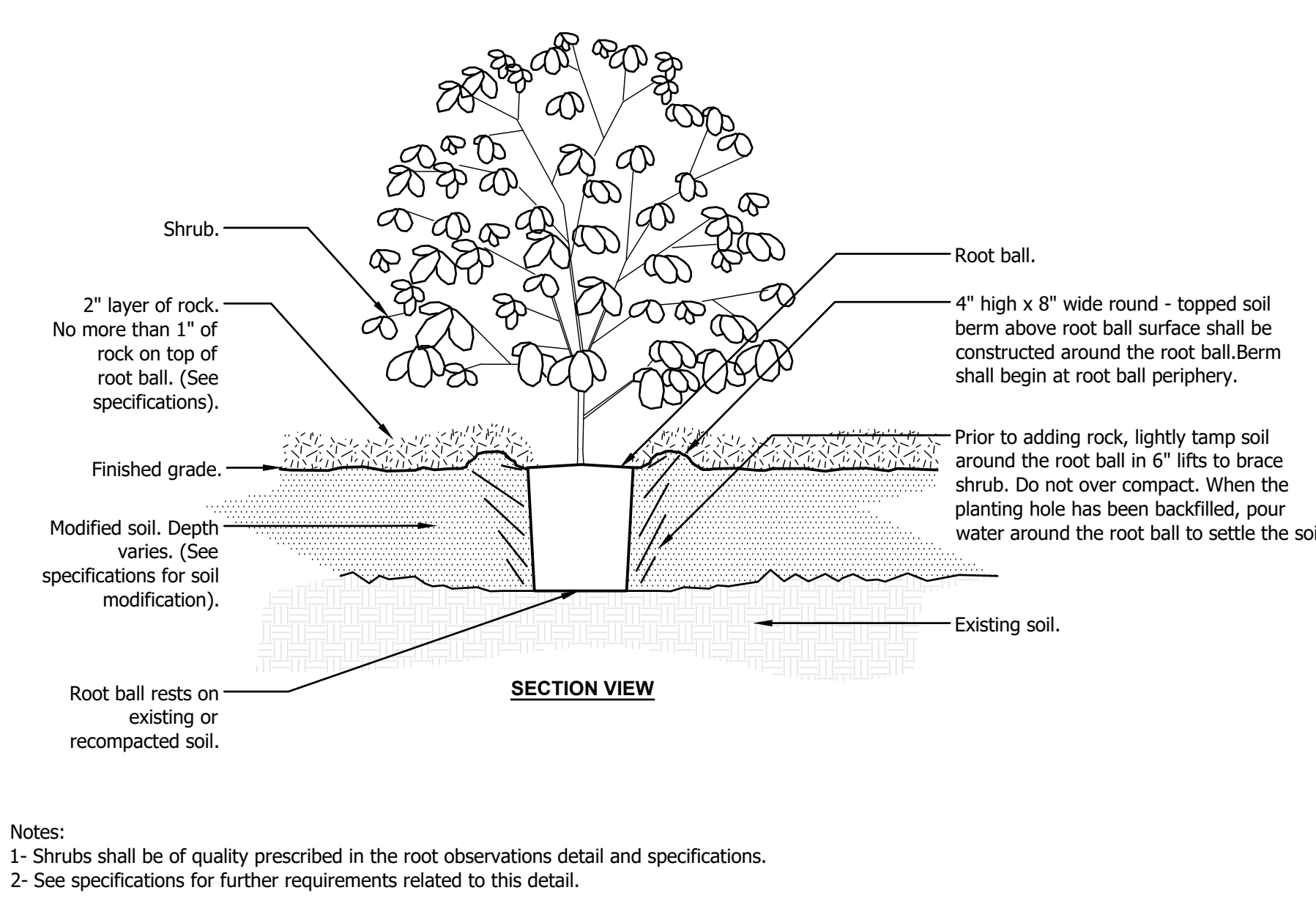
PRODUCT	SIZE	PACKAGE
<input type="checkbox"/> SURE-LOC CRISPEDE	1/8" X 4"	15 PIECES (120 LINEAR FEET) PER BOX
<input type="checkbox"/> SURE-LOC CRISPEDE	1/8" X 4" X 16'	15 PIECES (240 LINEAR FEET) PER BOX
<input type="checkbox"/> SURE-LOC CRISPEDE	1/8" X 5 1/2"	15 PIECES (240 LINEAR FEET) PER BOX
<input type="checkbox"/> SURE-LOC SUREEDGE	3/16" X 4"	10 PIECES (160 LINEAR FEET) PER BOX
<input type="checkbox"/> SURE-LOC SUREEDGE	3/16" X 5 1/2"	10 PIECES (160 LINEAR FEET) PER BOX

NOTES:

- INSTALLATION TO BE COMPLETED IN ACCORDANCE WITH MANUFACTURER'S SPECIFICATIONS.
- DO NOT SCALE DRAWINGS.
- CONTRACTORS NOTE: FOR PRODUCT AND PURCHASING INFORMATION VISIT www.CADdetails.com/info REFERENCE NUMBER 200-005

SURE-LOC ALUMINUM EDGING CORPORATION
 494 EAST 64TH ST
 HOLLAND, MI 49423
 TOLL FREE: 1-800-787-3562
 PHONE: (616) 392-3209
 FAX: (616) 392-5134
www.surelocedging.com

805 Aluminum Landscape Edging Detail
Not to Scale



803 Shrub Planting Detail
Not to Scale

DeWitt
DOWN TO EARTH PROTECTION

Pro 5 Weed Barrier

DeWitt Pro 5 Weed Barrier is a woven, needle-punched polypropylene fabric for control of ground cover weeds. The fabric is designed to allow air, water, and the sun to reach the soil, and is formulated to resist UV degradation.

Property	Test Method	Unit	Minimum Average
Woven Material	None	None	Polypropylene Fibers
Color	None	None	Black and Gold Temp
Construction Weight	ASTM D 530	OGGY	13.3 (30.7)
Weight	None	None	13.3 (30.7)
Grab Tensile Strength	ASTM D 4035	LBs	5.0 (2.2)
Grab Elongation	ASTM D 4035	%	10.0 (1.0)
Tensured Tear	ASTM D 4035	LBs	10.0 (4.5)
Tensured Tear	ASTM D 4035	LBs	10.0 (4.5)
Permeability	ASTM D 2621	INCHES	100
Water Permeability	ASTM D 2621	INCHES	100
Ultraviolet Exposure	ASTM D 4328	% Strength Retained	100 (After 2400 Hours)

905 South Kingshighway Bixton, MO 63801
 www.dewittusa.com
 573-472-0046 phone / 800-888-9668 / 573-471-6715 fax

NOTE:

- Only to be installed in rock mulch areas, as noted on plans, prior to installation of rock mulch.
- Polypropylene landscape fabric shall meet or exceed the DeWitt Pro5 specification. Any product substitution to be submitted by contractor to project manager for approval prior to installation.
- Landscape fabric shall be installed flat.
- Adjoining landscape fabric shall overlap by a minimum of 2'-4".
- All folds, corners, and overlapping areas of landscape fabric shall either be pinned down with 4" landscape pins or 4" steel landscape staples.
- Mulch to be installed over polypropylene landscape fabric at specified depth after landscape fabric is installed and secured.

806 Weed Barrier Detail
Not to Scale

PROJECT NUMBER: **62910099**

PROJECT MANAGER: **BRR** | DRAWN BY: **BRR** | CHECKED BY: **BRR**

PROFESSIONAL SEAL:



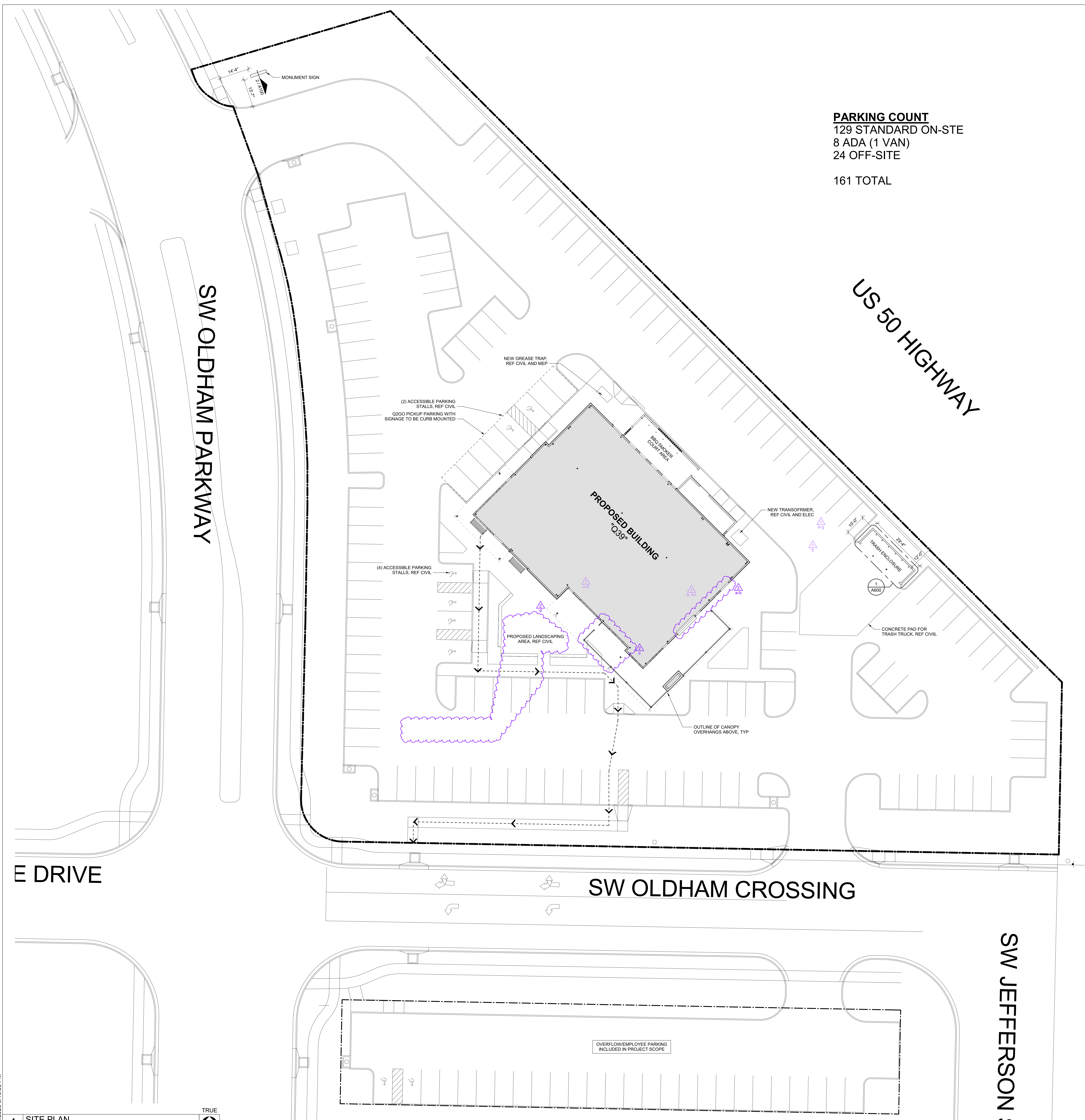
COPYRIGHT NOTICE

THIS DRAWING WAS PREPARED FOR USE ON A SPECIFIC SITE. CONTRACTOR SHALL BE RESPONSIBLE FOR THE DESIGN AND CONSTRUCTION OF THE PROJECT. THE USER OF THIS DRAWING SHALL BE RESPONSIBLE FOR OBTAINING ALL NECESSARY PERMITS AND APPROVALS. THE SERVICES OF PROFESSIONALLY LICENSED ARCHITECTS AND ENGINEERS ARE REQUIRED FOR THE DESIGN AND CONSTRUCTION OF ANY PROJECT. THIS DRAWING IS NOT TO BE REPRODUCED OR TRANSMITTED IN ANY FORM OR BY ANY MEANS, ELECTRONIC OR MECHANICAL, INCLUDING PHOTOCOPYING, RECORDING, OR BY ANY INFORMATION STORAGE AND RETRIEVAL SYSTEM, WITHOUT THE WRITTEN PERMISSION OF THE ARCHITECT OF RECORD.

ISSUES AND REVISIONS

NUMBER	DATE	DESCRIPTION
1 <td>ISSUES <td>ORIGINAL ISSUE</td> </td>	ISSUES <td>ORIGINAL ISSUE</td>	ORIGINAL ISSUE

SHEET NAME



PARKING COUNT
 129 STANDARD ON-SITE
 8 ADA (1 VAN)
 24 OFF-SITE
 161 TOTAL

- SHEET NOTES**
- ALL EXTERIOR SIDEWALK JOINTS TO BE FILLED WITH SEALANT, REF CIVIL
 - REF CIVIL AND MEP FOR LOCATION OF GREASE INTERCEPTOR
 - REF CIVIL, STRUCTURAL, AND MEP FOR ADDITIONAL INFORMATION
 - REF CIVIL FOR ALL CONCRETE WORK OUTSIDE OF BUILDINGS EXTERIOR WALLS

- SYMBOLS LEGEND**
- LINE OF SCOPE DELINEATION. ALL SCOPE SHOWN WITHIN THESE LIMITS IS BY OUR O.C. AS A GENERAL RULE. THE SCOPE LIMIT LINE IS BACK FACE OF THE SURROUNDING CONCRETE CURB.
 - ACCESSIBLE PATH TO PUBLIC RIGHT OF WAY, REF CIVIL

ARCHITECT OF RECORD

brr

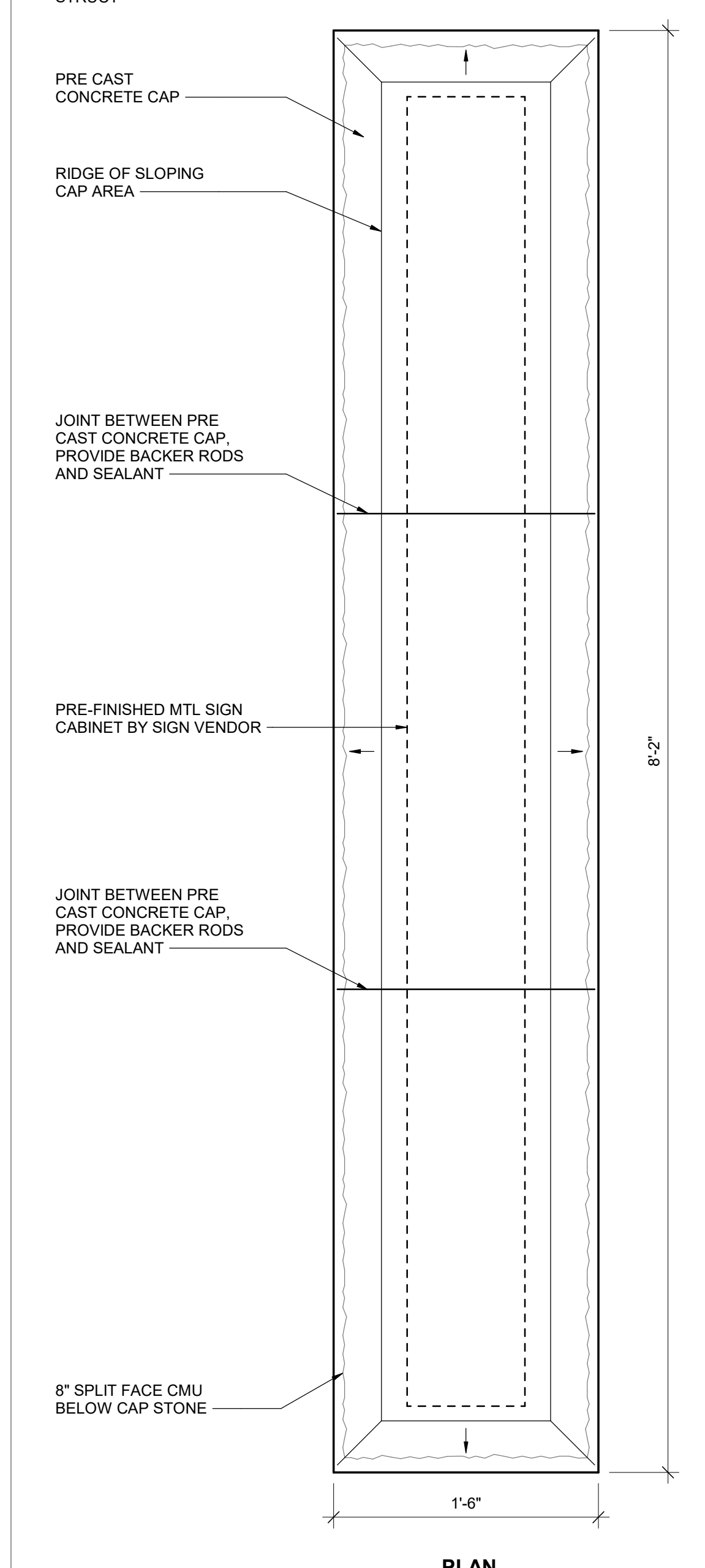
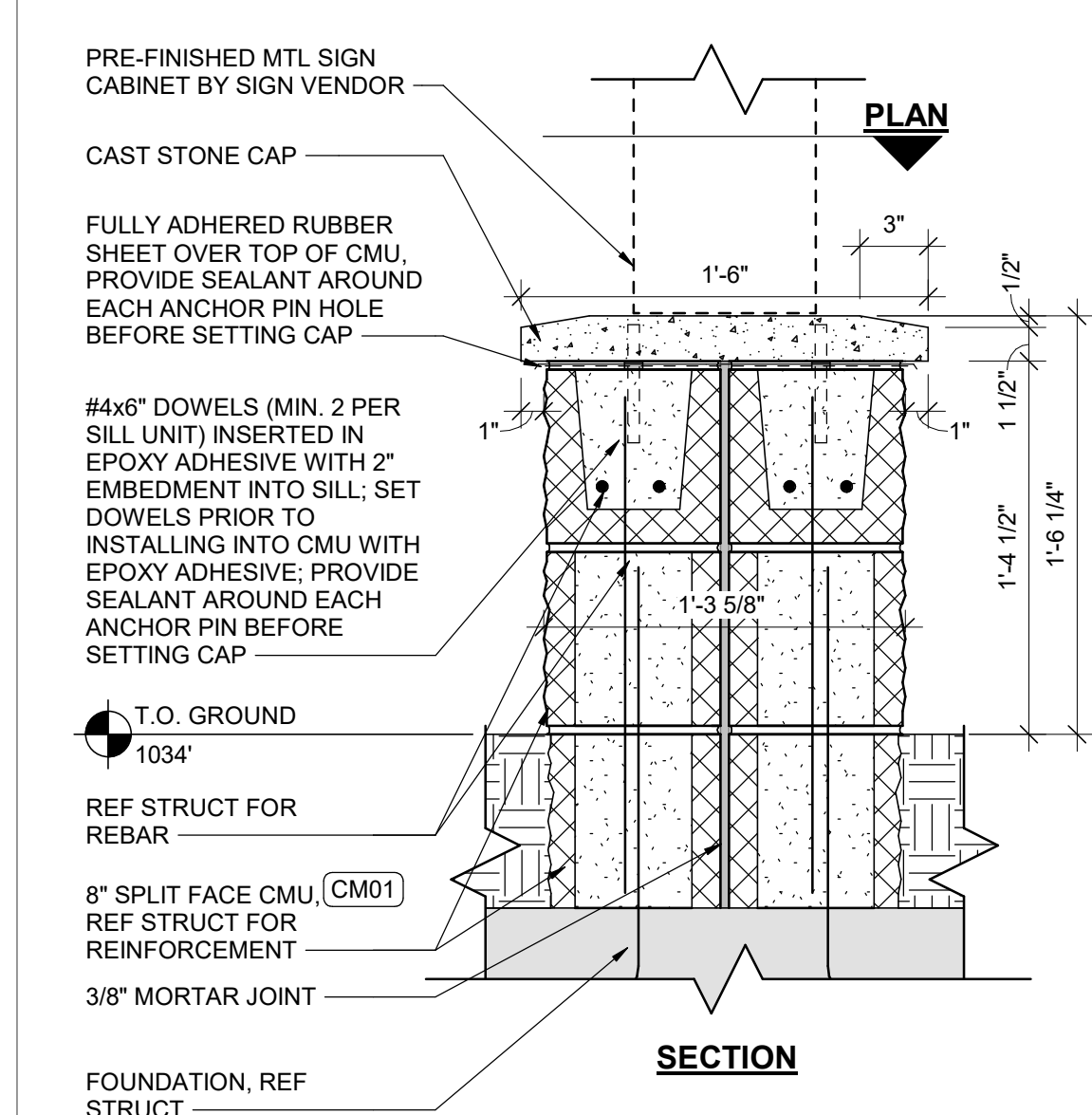
BRR ARCHITECTURE INC.
 1511 METCAL AVENUE
 SUITE 200
 OVERLAND PARK, KS 66214
 WWW.BRRARCH.COM
 TEL: 913.263.8666
 FAX: 913.263.8444

CONSULTANT

CLIENT

PROJECT TITLE

Q39 (SHELL)
LEE'S SUMMIT, MO
 OLDHAM VILLAGE



PROJECT NUMBER: 62500002

PROJECT MANAGER: TM
 DRAWN BY: ND
 CHECKED BY:

PROFESSIONAL SEAL



10/13/2025

COPYRIGHT NOTICE

THIS DRAWING WAS PREPARED FOR USE ON A SPECIFIC SITE. IT IS THE PROPERTY OF BRR ARCHITECTURE INC. AND IS NOT TO BE REPRODUCED OR TRANSMITTED IN ANY FORM OR BY ANY MEANS, ELECTRONIC OR MECHANICAL, INCLUDING PHOTOCOPYING, RECORDING, OR BY ANY INFORMATION STORAGE AND RETRIEVAL SYSTEM, WITHOUT THE WRITTEN PERMISSION OF BRR ARCHITECTURE INC. THE SERVICES OF ARCHITECTS, ENGINEERS, AND OTHER PROFESSIONALS ARE NOT TO BE USED IN CONNECTION WITH THIS DRAWING FOR ANY OTHER PROJECT WITHOUT THE EXPRESS WRITTEN AUTHORIZATION OF BRR ARCHITECTURE INC. BRR ARCHITECTURE INC. DOES NOT GUARANTEE THAT THIS DRAWING IS SUITABLE OR APPROPRIATE FOR ANY OTHER PURPOSES. USER USES OR ALTERS THESE FILES AT USER'S SOLE RISK AND AGREES TO HOLD BRR ARCHITECTURE INC. HARMLESS FROM LIABILITY ARISING FROM SUCH USE.

ISSUES AND REVISIONS

NUMBER	DATE	ISSUES	DESCRIPTION
1	06/05/25	ISSUES	ISSUES
2	06/05/25	ADDITIONAL 1	ADDITIONAL 1
3	10/13/25	ADDITIONAL 2	ADDITIONAL 2

SHEET NAME: **SITE PLAN**

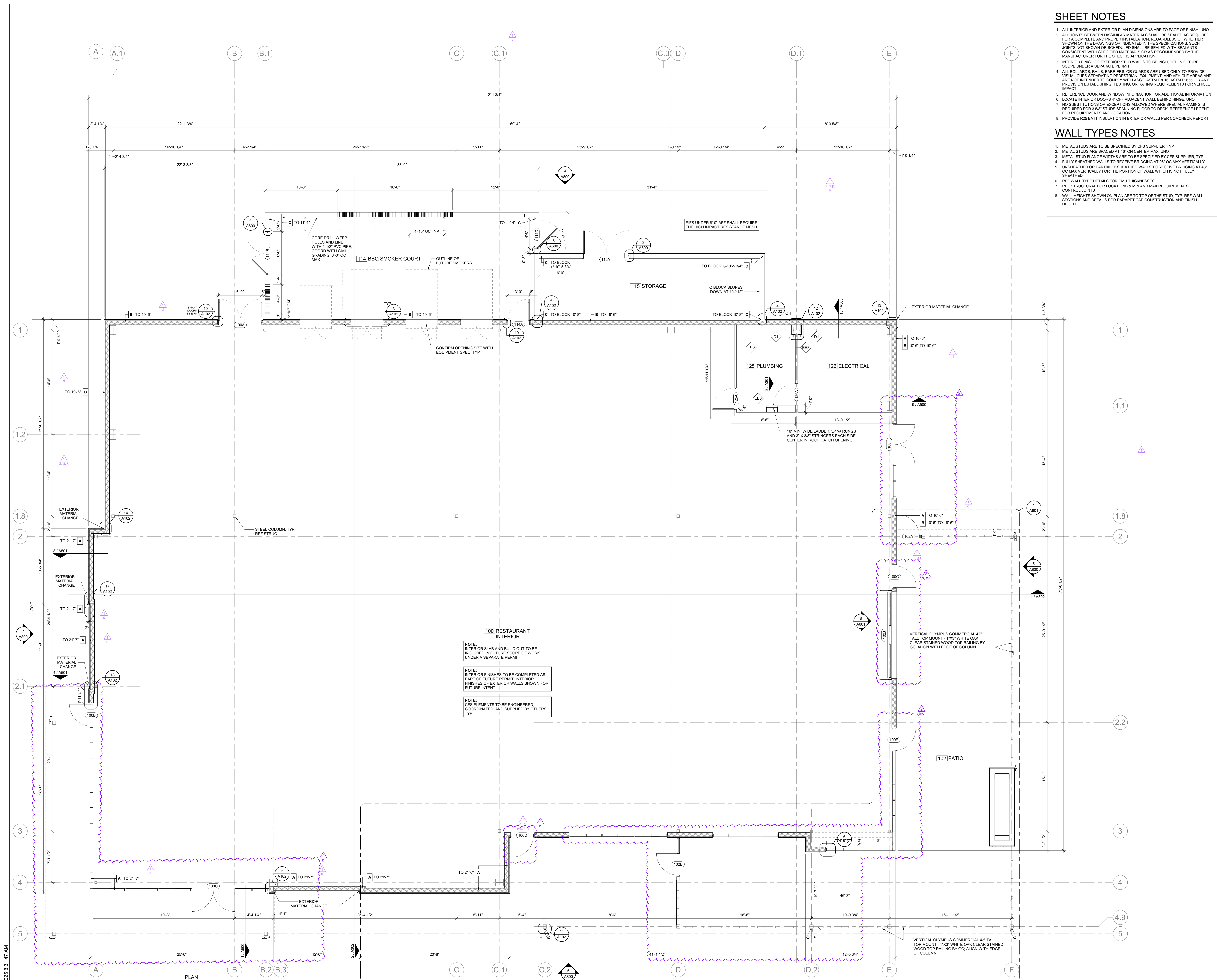
SHEET NUMBER: **A100**

10/13/2025 3:10:38 PM

1 SITE PLAN
 1/16" = 1'-0"

TRUE

2 MONUMENT SIGN
 1 1/2" = 1'-0"



SHEET NOTES

- ALL INTERIOR AND EXTERIOR PLAN DIMENSIONS ARE TO FACE OF FINISH, UNO
- ALL JOINTS BETWEEN DISSIMILAR MATERIALS SHALL BE SEALED AS REQUIRED FOR A COMPLETE AND PROPER INSTALLATION, REGARDLESS OF WHETHER SHOWN ON THE DRAWINGS OR INDICATED IN THE SPECIFICATIONS. SUCH JOINTS NOT SHOWN OR SCHEDULED SHALL BE SEALED WITH SEALANTS CONSISTENT WITH SPECIFIED MATERIALS OR AS RECOMMENDED BY THE MANUFACTURER FOR THE SPECIFIC APPLICATION
- INTERIOR FINISH OF EXTERIOR STUD WALLS TO BE INCLUDED IN FUTURE SCOPE UNDER A SEPARATE PERMIT
- ALL BOLLARDS, RAILS, BARRIERS, OR GUARDS ARE USED ONLY TO PROVIDE VISUAL CUES SEPARATING PEDESTRIAN, EQUIPMENT, AND VEHICLE AREAS AND ARE NOT INTENDED TO COMPLY WITH ASCE, ASTM F3016, ASTM F2656, OR ANY PROVISION ESTABLISHING, TESTING, OR RATING REQUIREMENTS FOR VEHICLE IMPACT
- REFERENCE DOOR AND WINDOW INFORMATION FOR ADDITIONAL INFORMATION
- LOCATE INTERIOR DOORS 4" OFF ADJACENT WALL BEHIND HINGE, UNO
- NO SUBSTITUTIONS OR EXCEPTIONS ALLOWED WHERE SPECIAL FRAMING IS REQUIRED FOR 3 5/8" STUDS SPANNING FLOOR TO DECK, REFERENCE LEGEND FOR REQUIREMENTS AND LOCATION
- PROVIDE R25 BATT INSULATION IN EXTERIOR WALLS PER COMCHECK REPORT.

WALL TYPES NOTES

- METAL STUDS ARE TO BE SPECIFIED BY CFS SUPPLIER, TYP
- METAL STUDS ARE SPACED AT 16" ON CENTER, MAX, UNO
- METAL STUD FLANGE WIDTHS ARE TO BE SPECIFIED BY CFS SUPPLIER, TYP
- FULLY SHEATHED WALLS TO RECEIVE BRIDGING AT 8" OC MAX VERTICALLY
- UN-SHEATHED OR PARTIALLY SHEATHED WALLS TO RECEIVE BRIDGING AT 4" OC MAX VERTICALLY FOR THE PORTION OF WALL WHICH IS NOT FULLY SHEATHED
- REF WALL TYPE DETAILS FOR CMU THICKNESSES
- REF STRUCTURAL FOR LOCATIONS & MIN MAX REQUIREMENTS OF CONTROL JOINTS
- WALL HEIGHTS SHOWN ON PLAN ARE TO TOP OF THE STUD, TYP. REF WALL SECTIONS AND DETAILS FOR PARAPET CAP CONSTRUCTION AND FINISH HEIGHT.

ARCHITECT OF RECORD

brr BRR ARCHITECTURE INC.
 1111 WESTPARK AVENUE
 SUITE 200
 OVERLAND PARK, KS 66204
 WWW.BRRARCH.COM
 TEL: 913.263.8666
 FAX: 913.263.8644

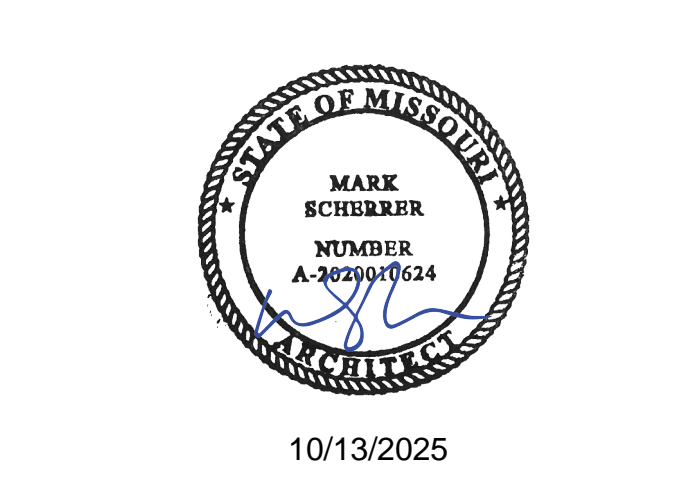
CONSULTANT

CLIENT

PROJECT TITLE

Q39 (SHELL)
LEE'S SUMMIT, MO
 OLDHAM VILLAGE

PROJECT NUMBER	62500002
PROJECT MANAGER	TM
DRAWN BY	ND
CHECKED BY	
PROFESSIONAL SEAL	



COPYRIGHT NOTICE
 THIS DRAWING WAS PREPARED FOR USE ON A SPECIFIC DATE. CONTINUING USE OF THIS DRAWING FOR ANY OTHER PROJECT OR FOR USE ON A DIFFERENT PROJECT SITE OR AT A LATER TIME, WITHOUT THE SERVICES OF PROPER LICENSED ARCHITECTS AND ENGINEERS, REPRODUCING OR TRANSMITTING IN ANY MANNER OR BY ANY MEANS, AUTHORIZED OR MAY BE CONTRARY TO THE LAW.
 BRR DOES NOT GUARANTEE THAT CAD FILES ARE SUFFICIENT OR APPROPRIATE FOR USER'S PURPOSES. USER USES OR ALTERS THESE FILES AT USER'S SOLE RISK AND AGREES TO ACCEPT ALL RISK FROM LIABILITY ARISING FROM USER'S USE.

NUMBER	DATE	DESCRIPTION
1	10/13/2025	ORIGINAL ISSUE
2	06/03/25	ADDITIONAL 1
3	10/13/25	ADDITIONAL 2

SHEET NAME

PARTITION PLAN

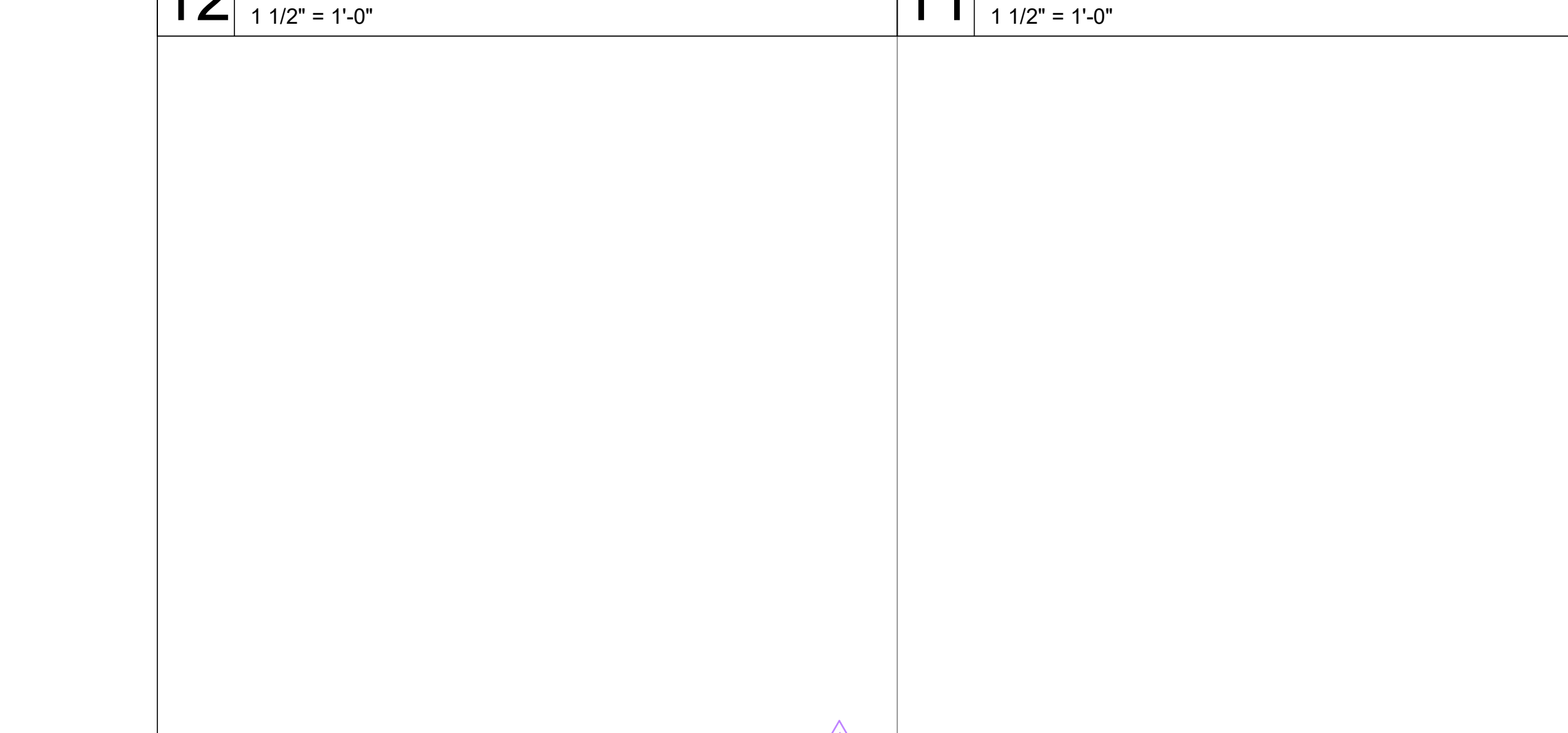
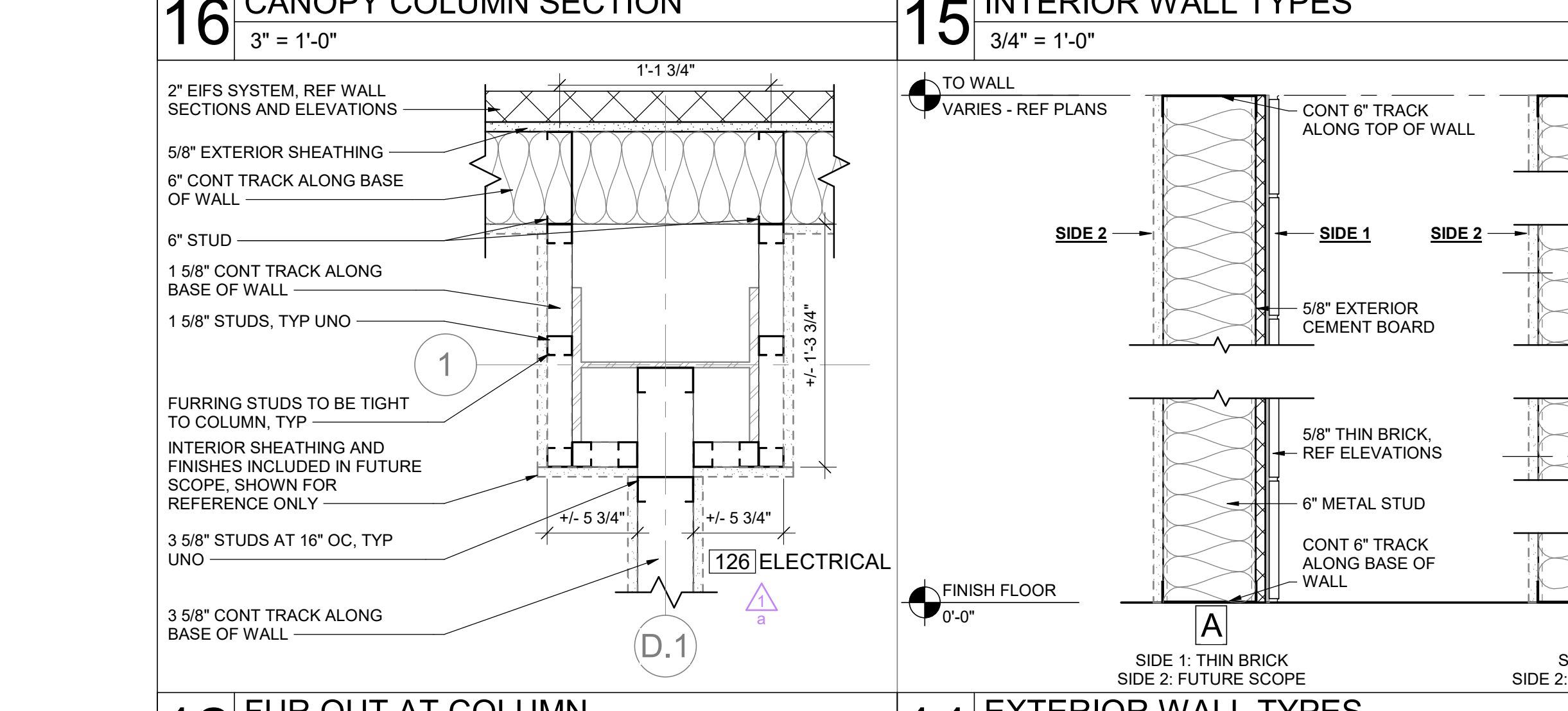
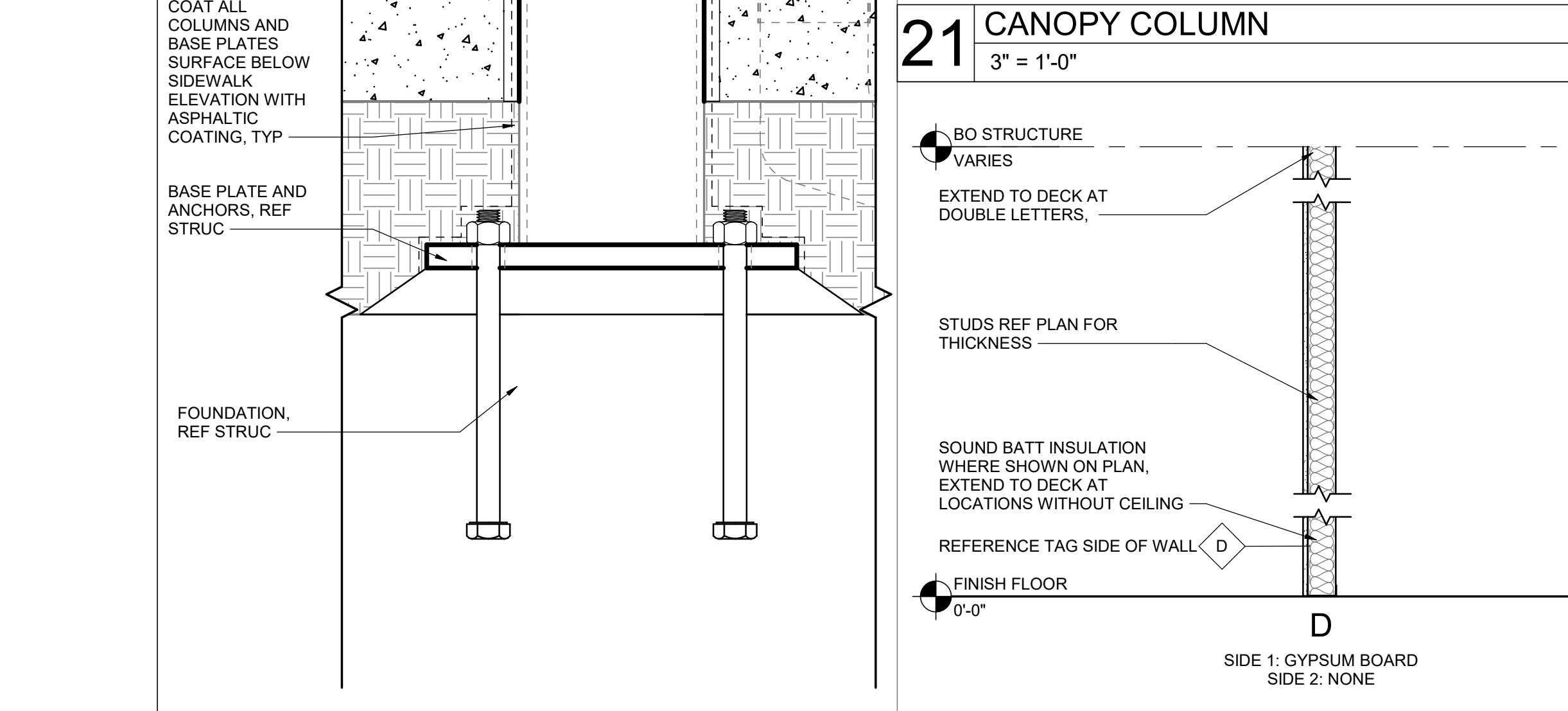
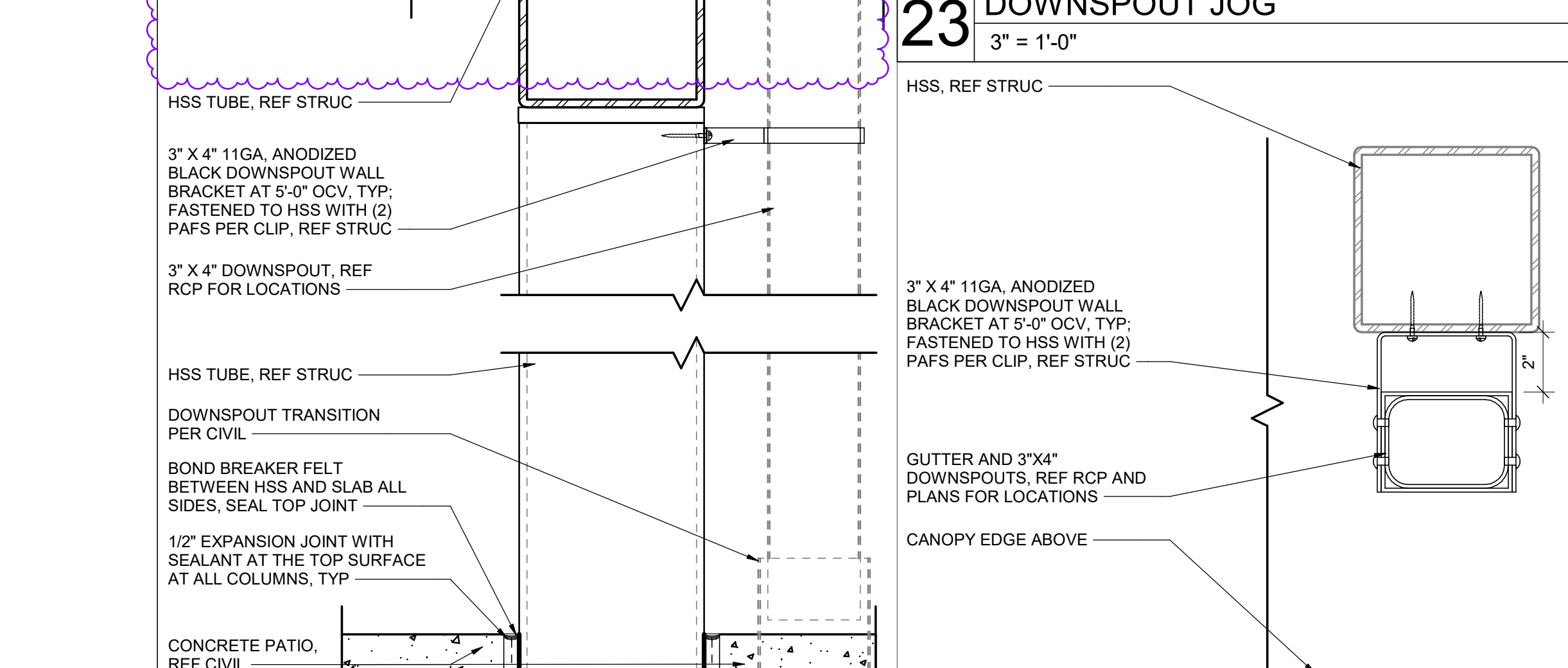
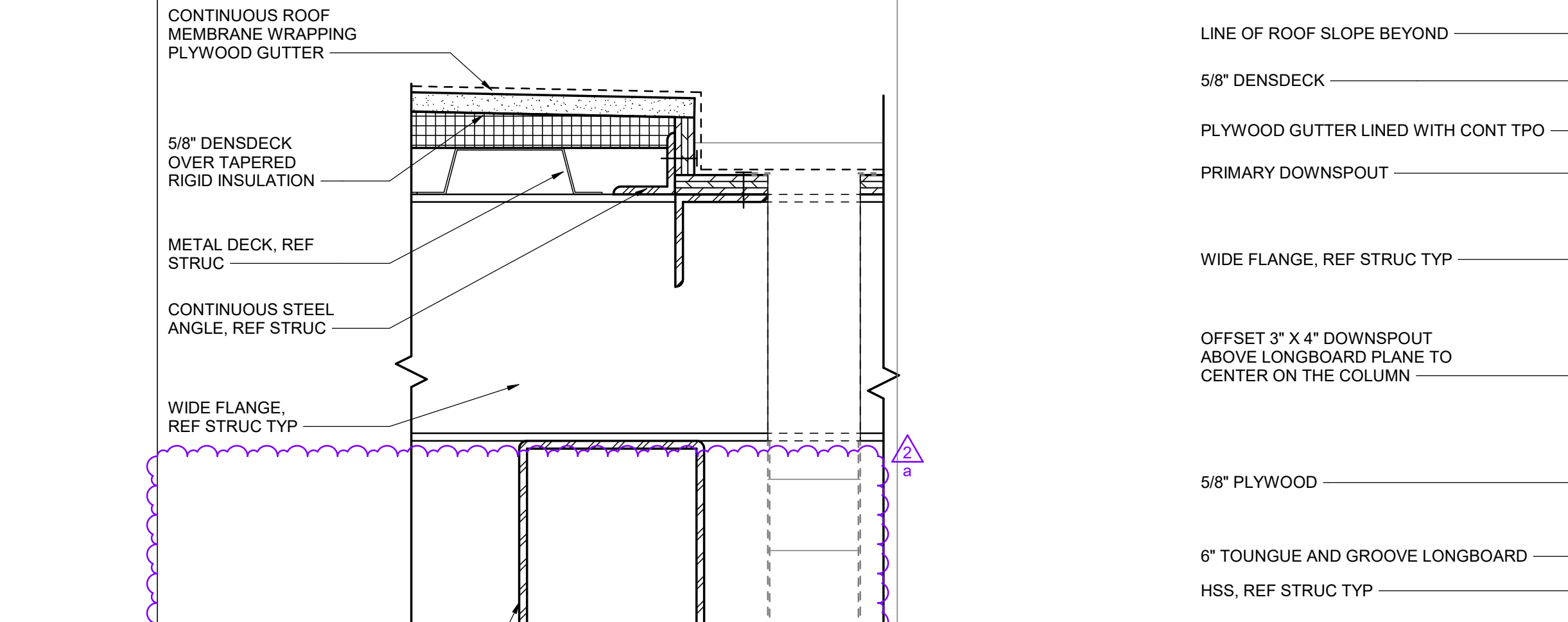
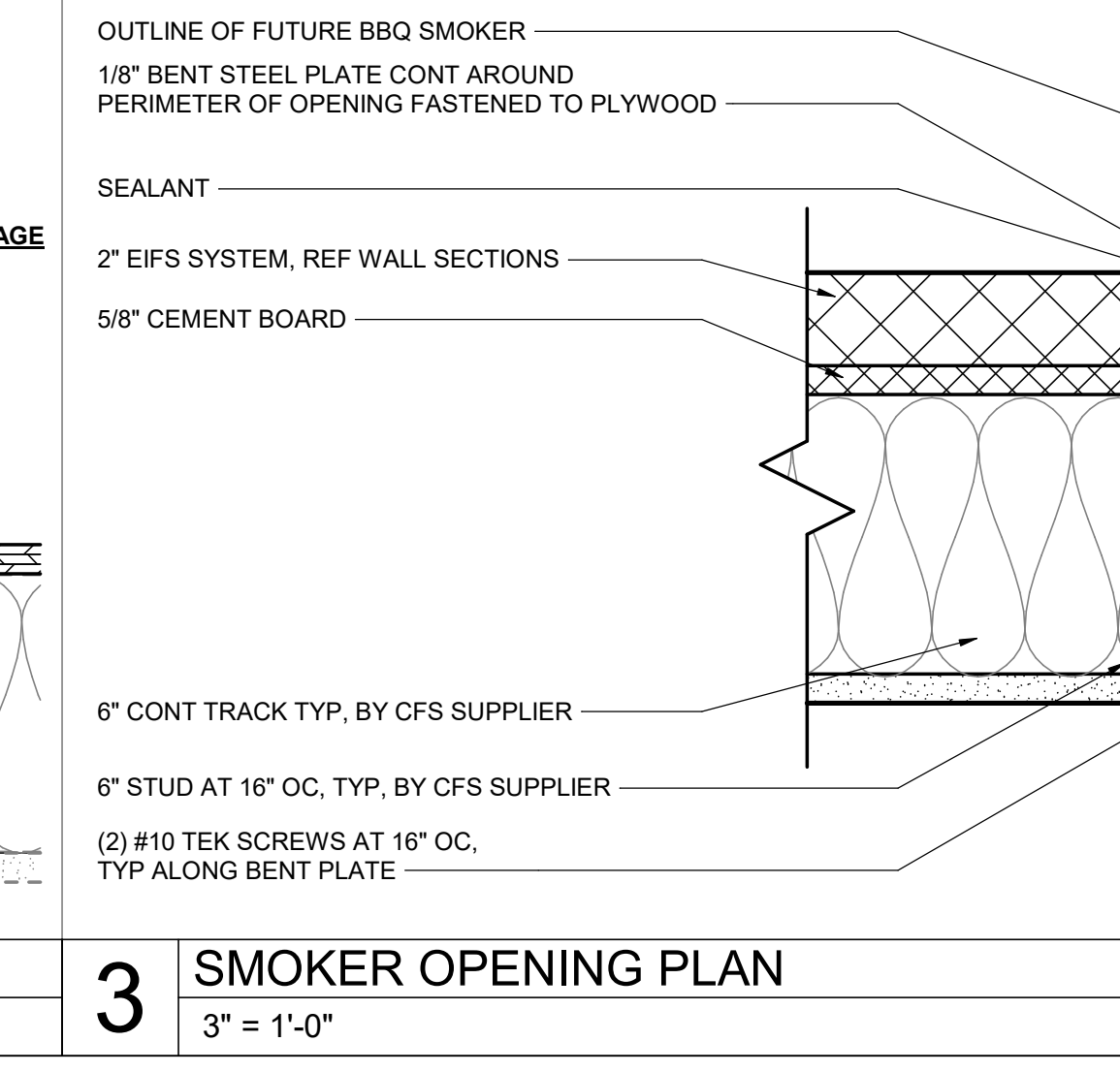
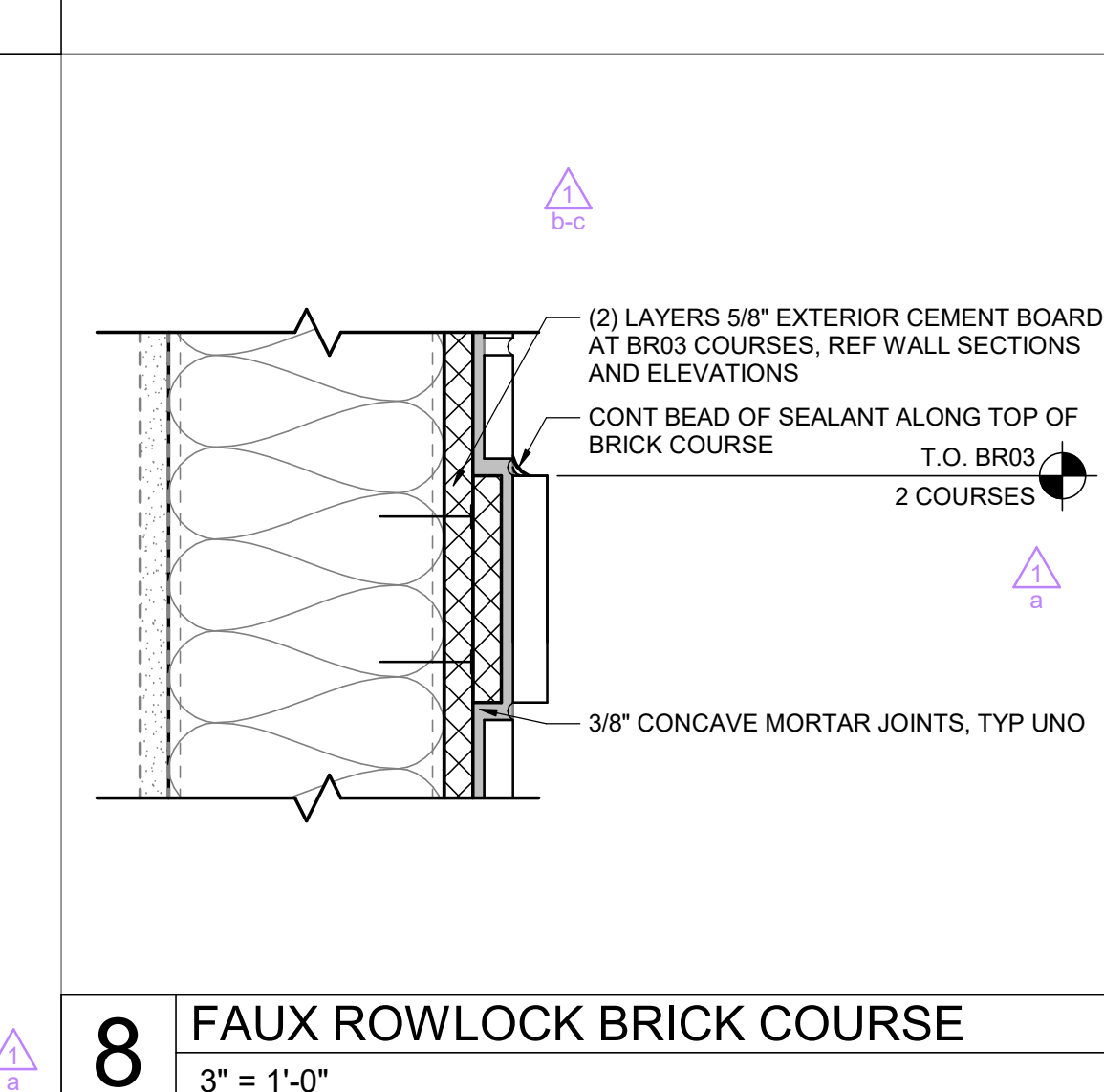
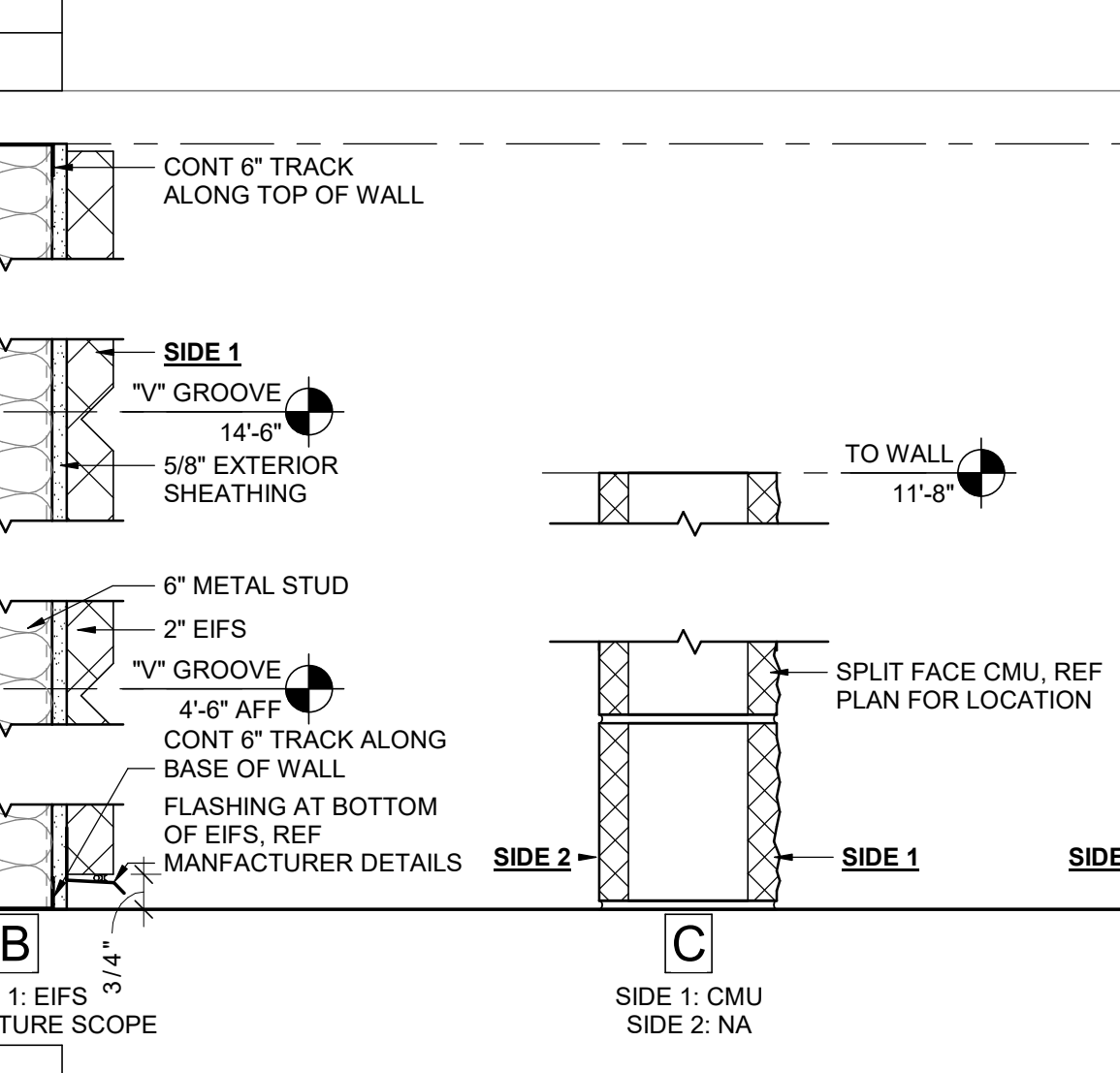
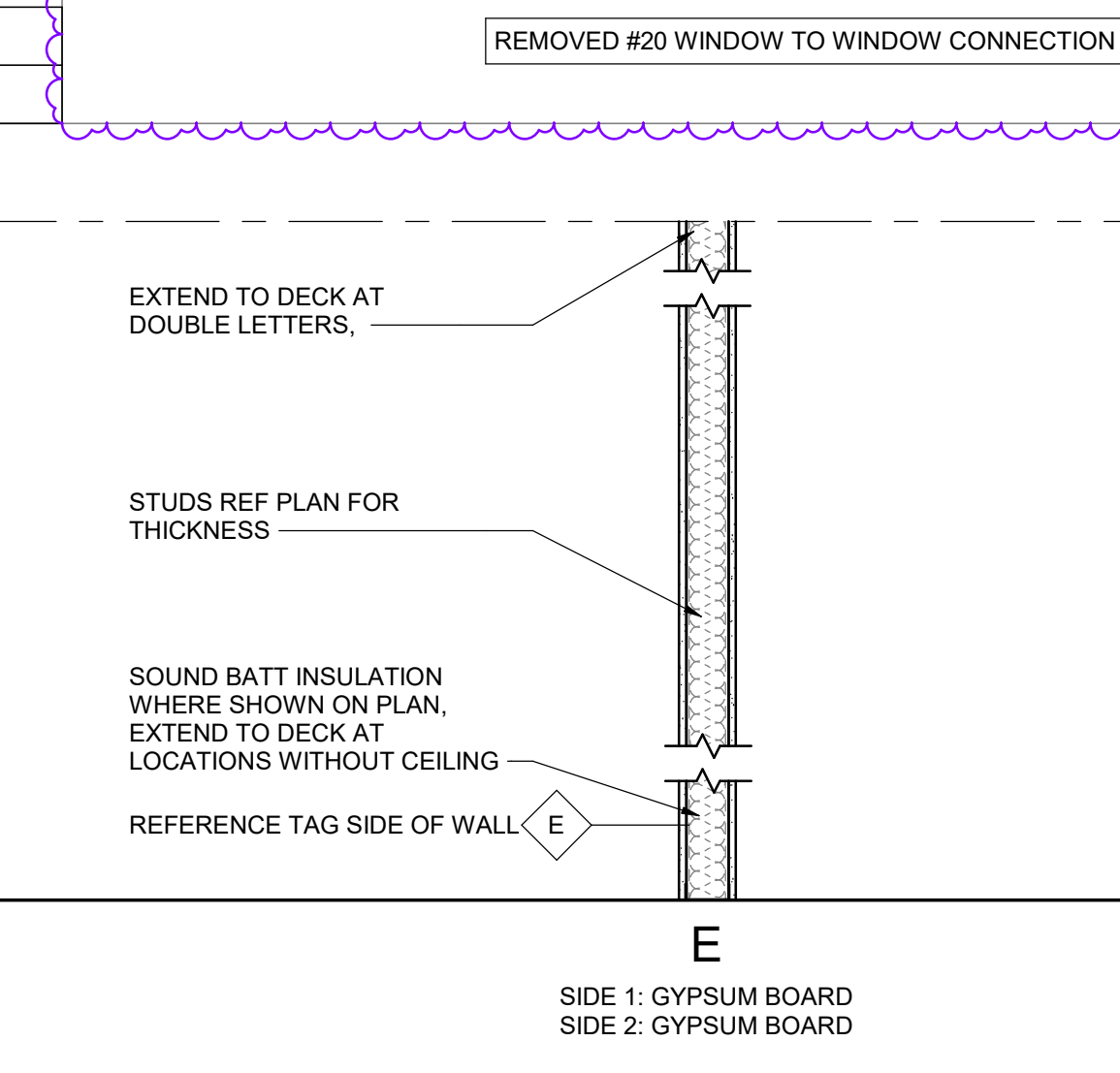
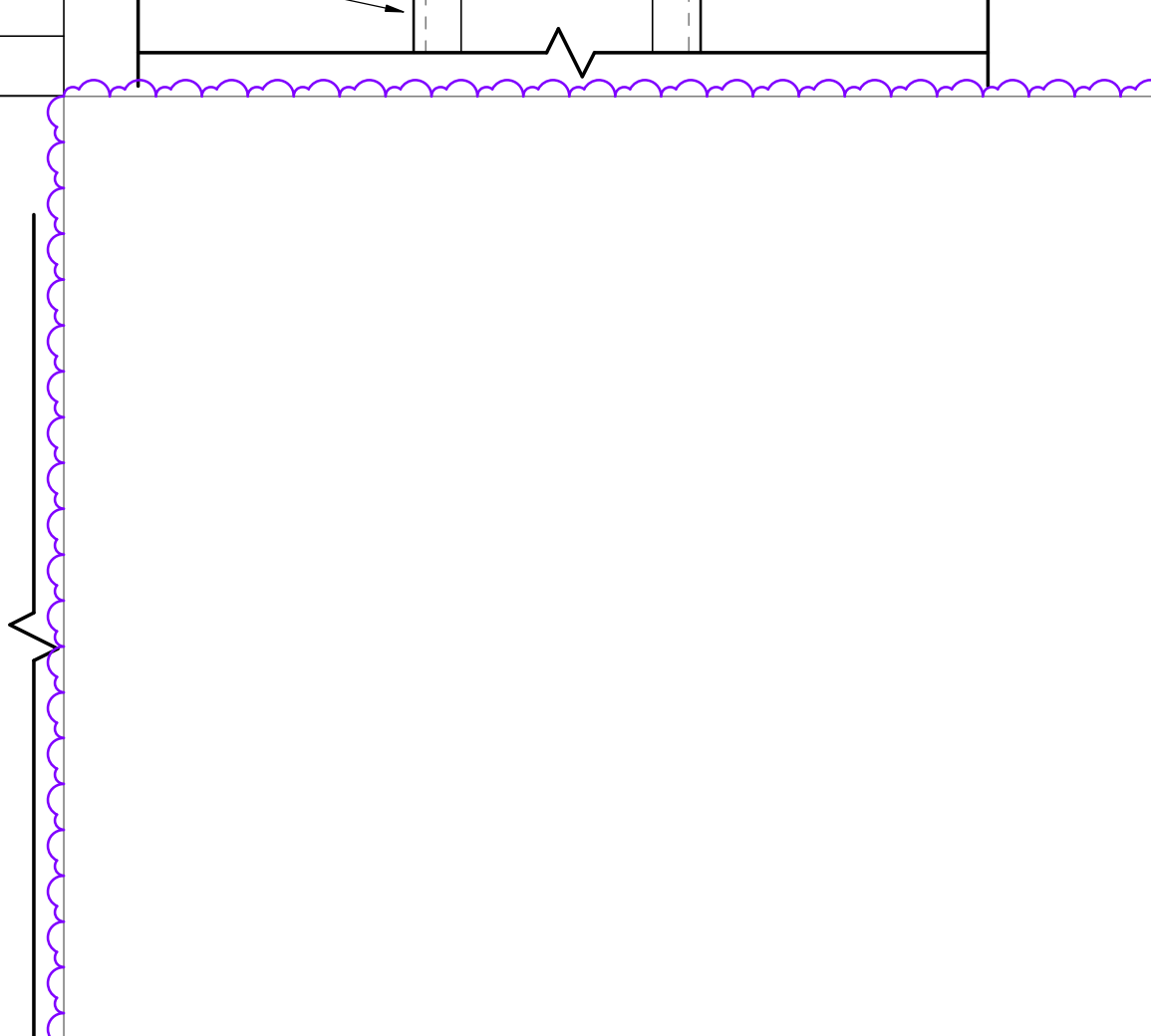
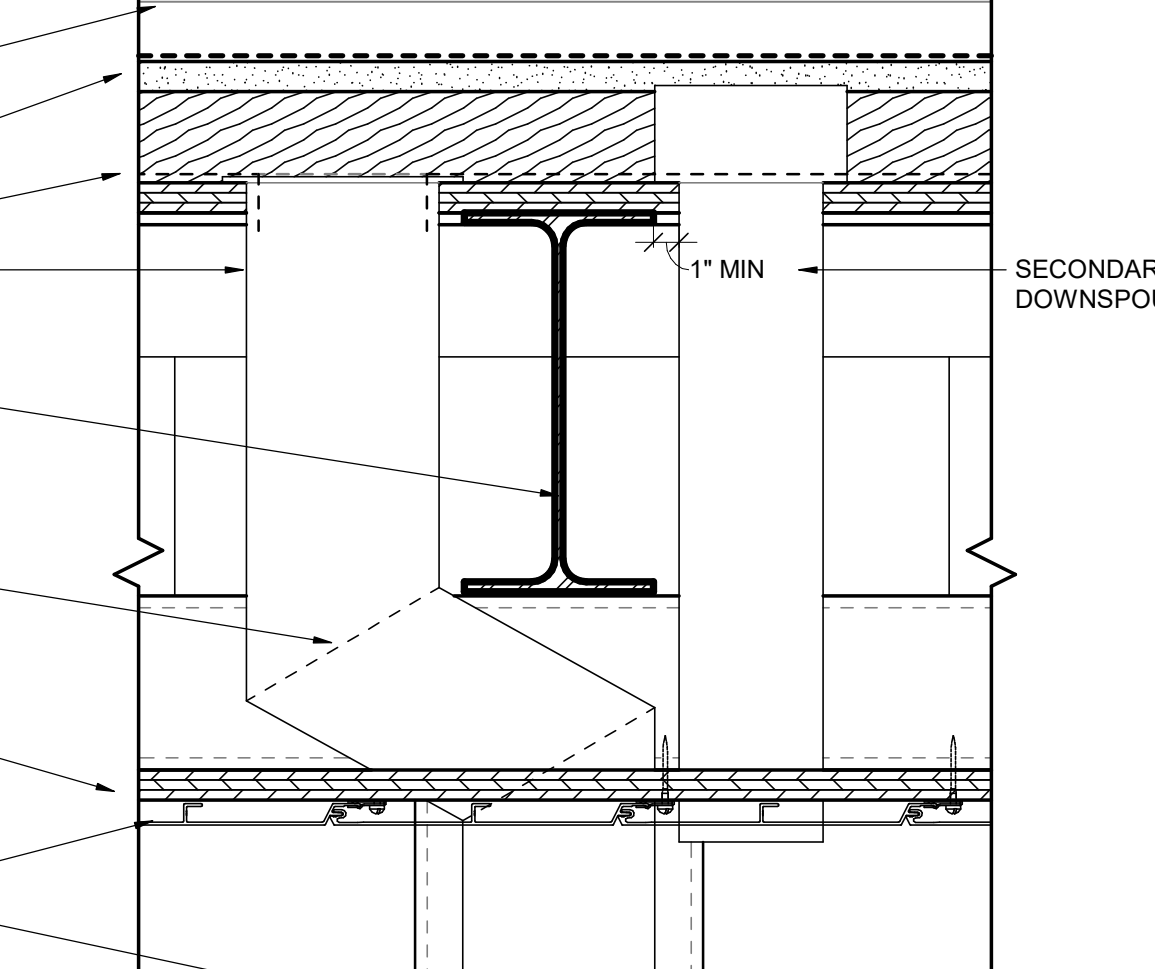
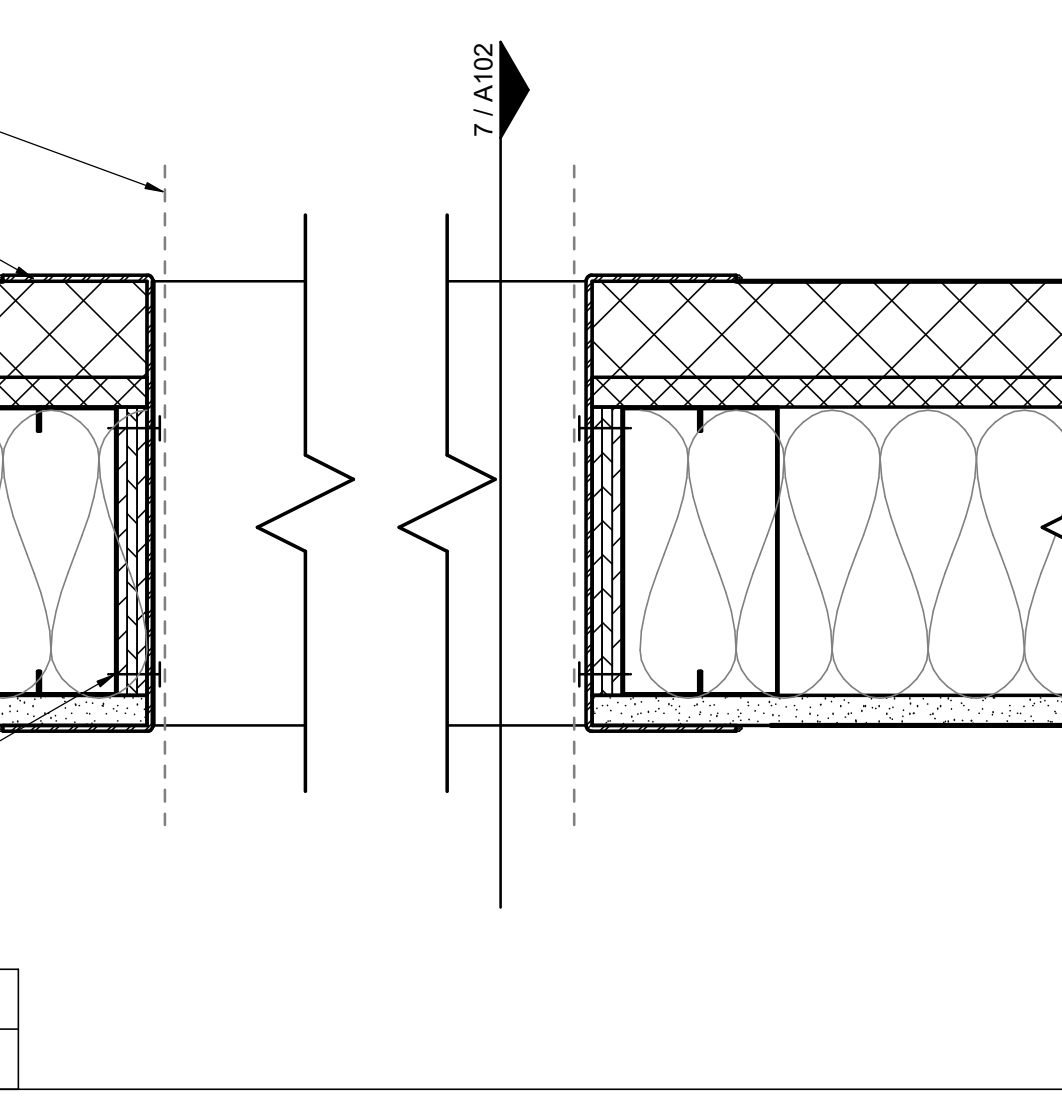
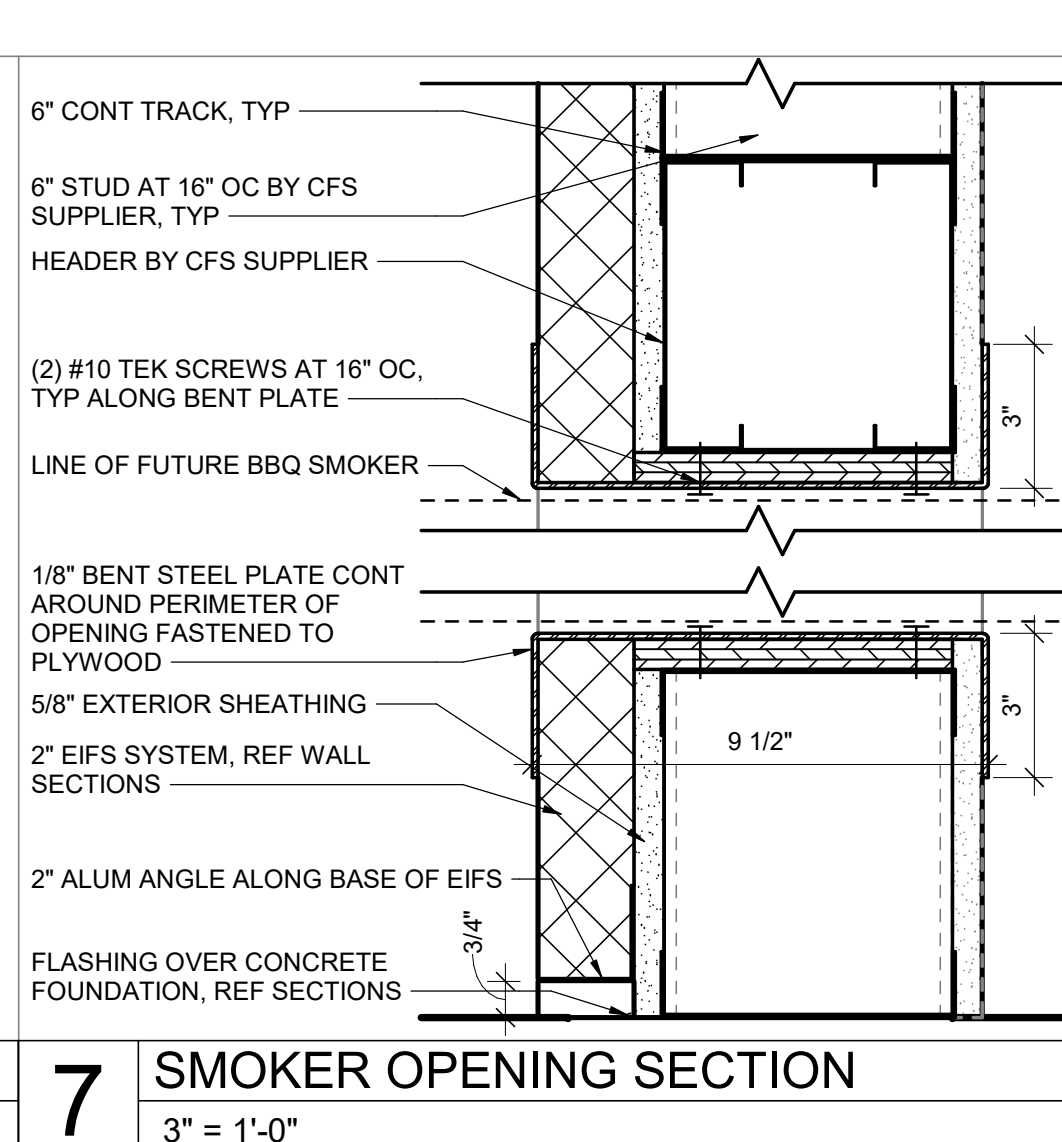
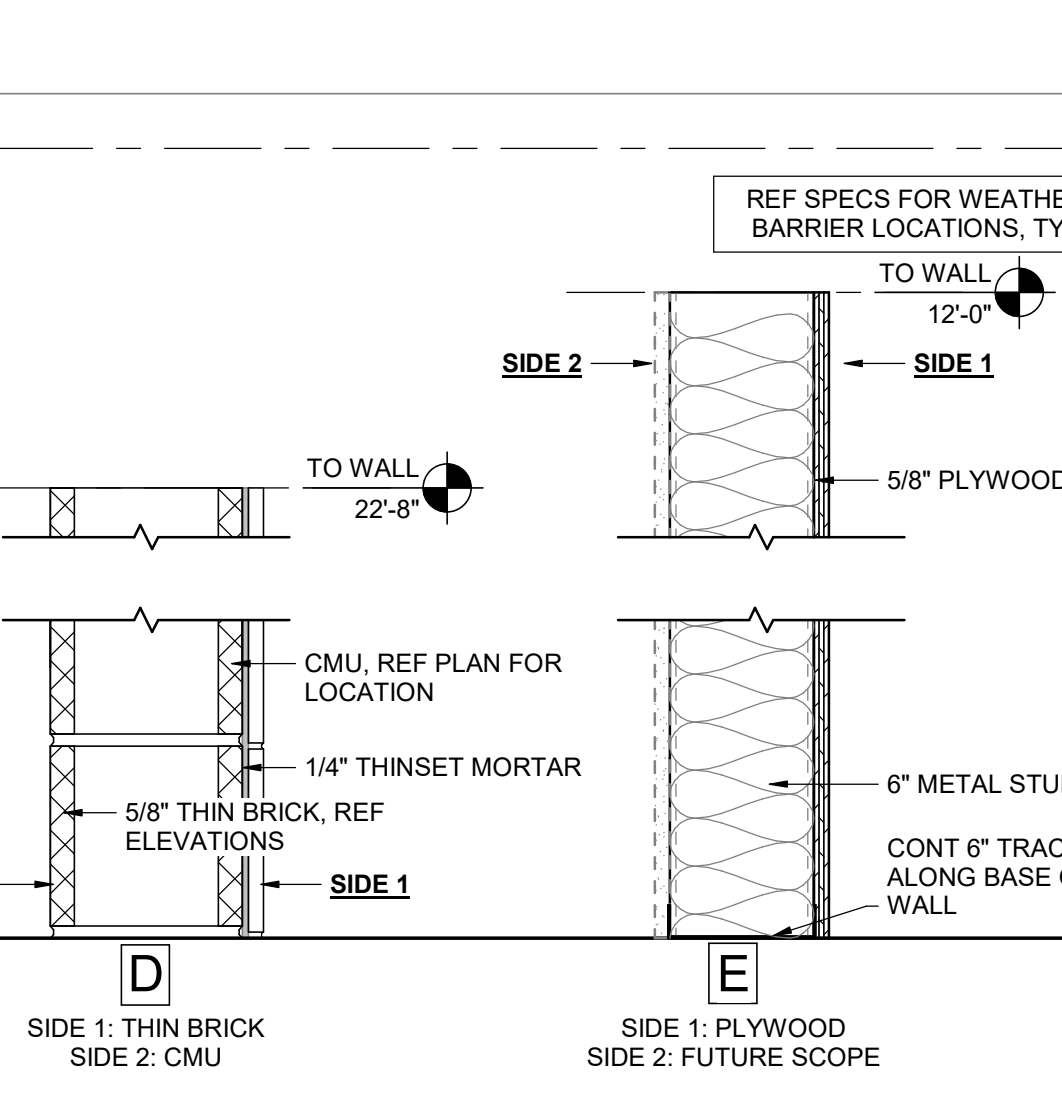
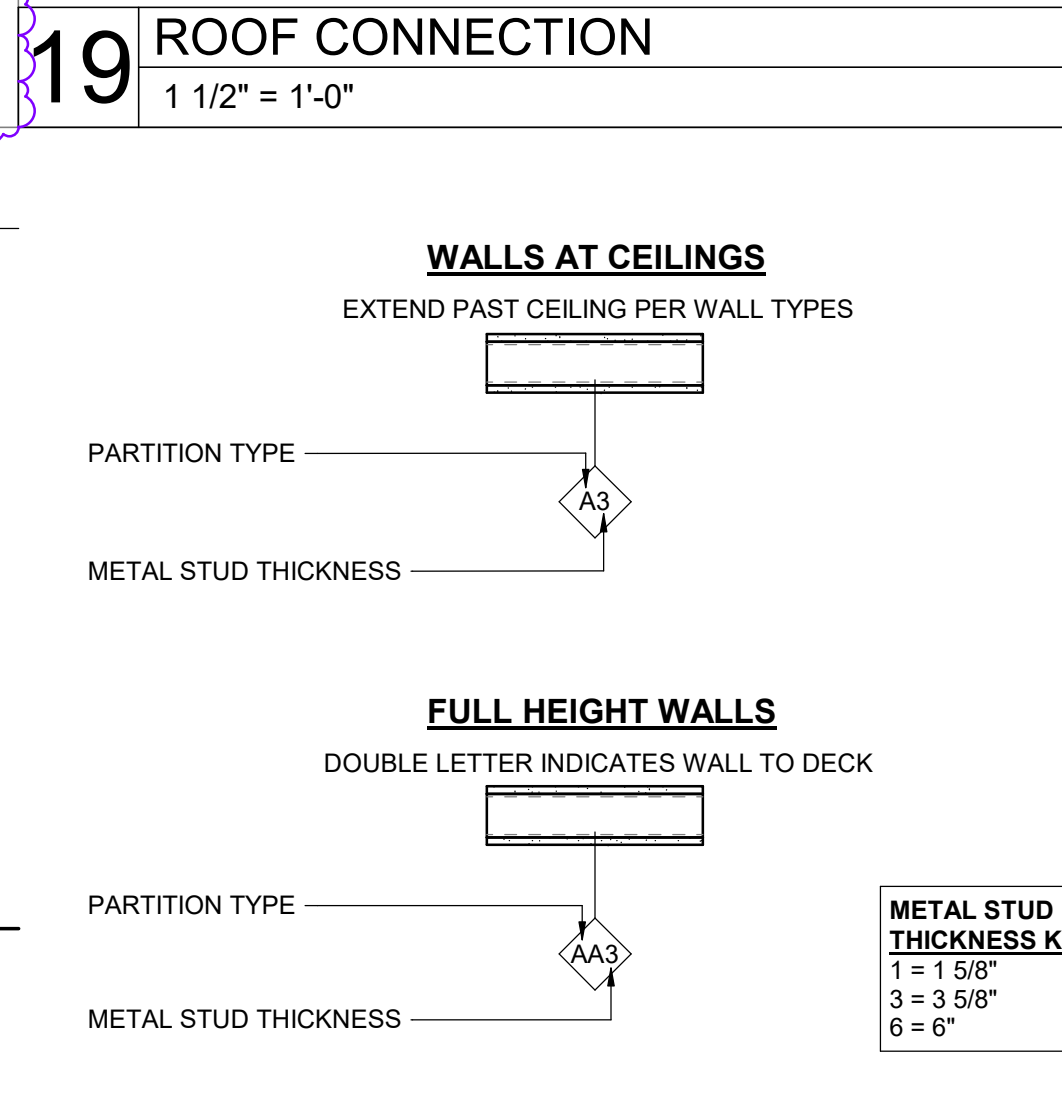
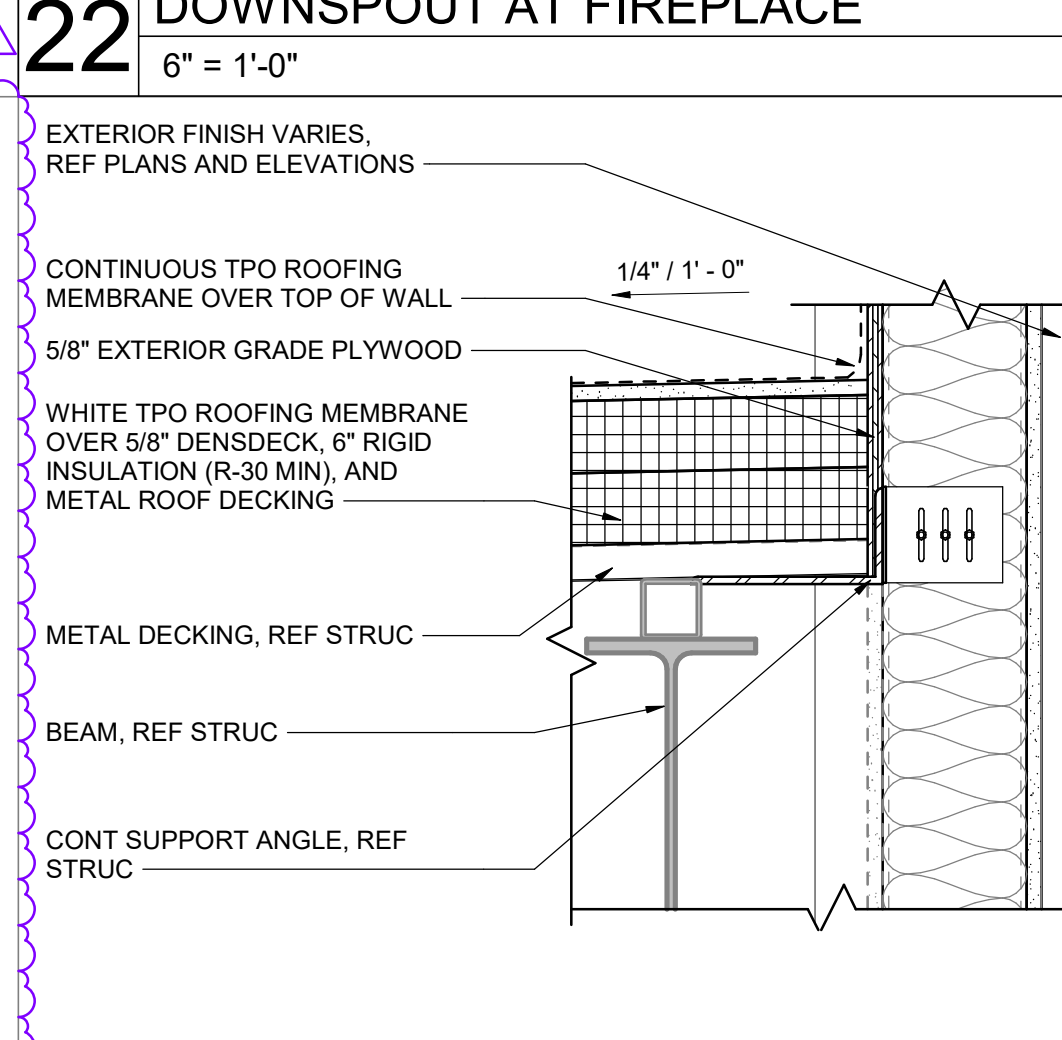
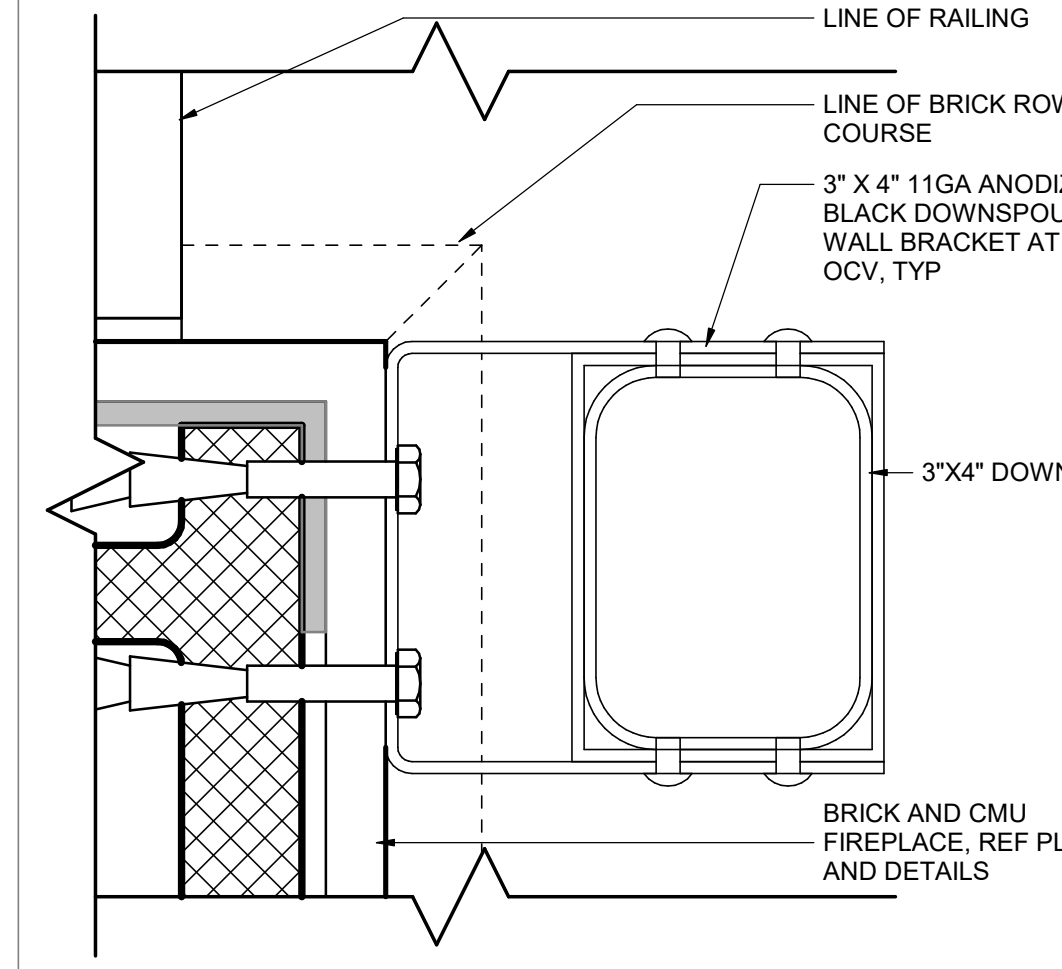
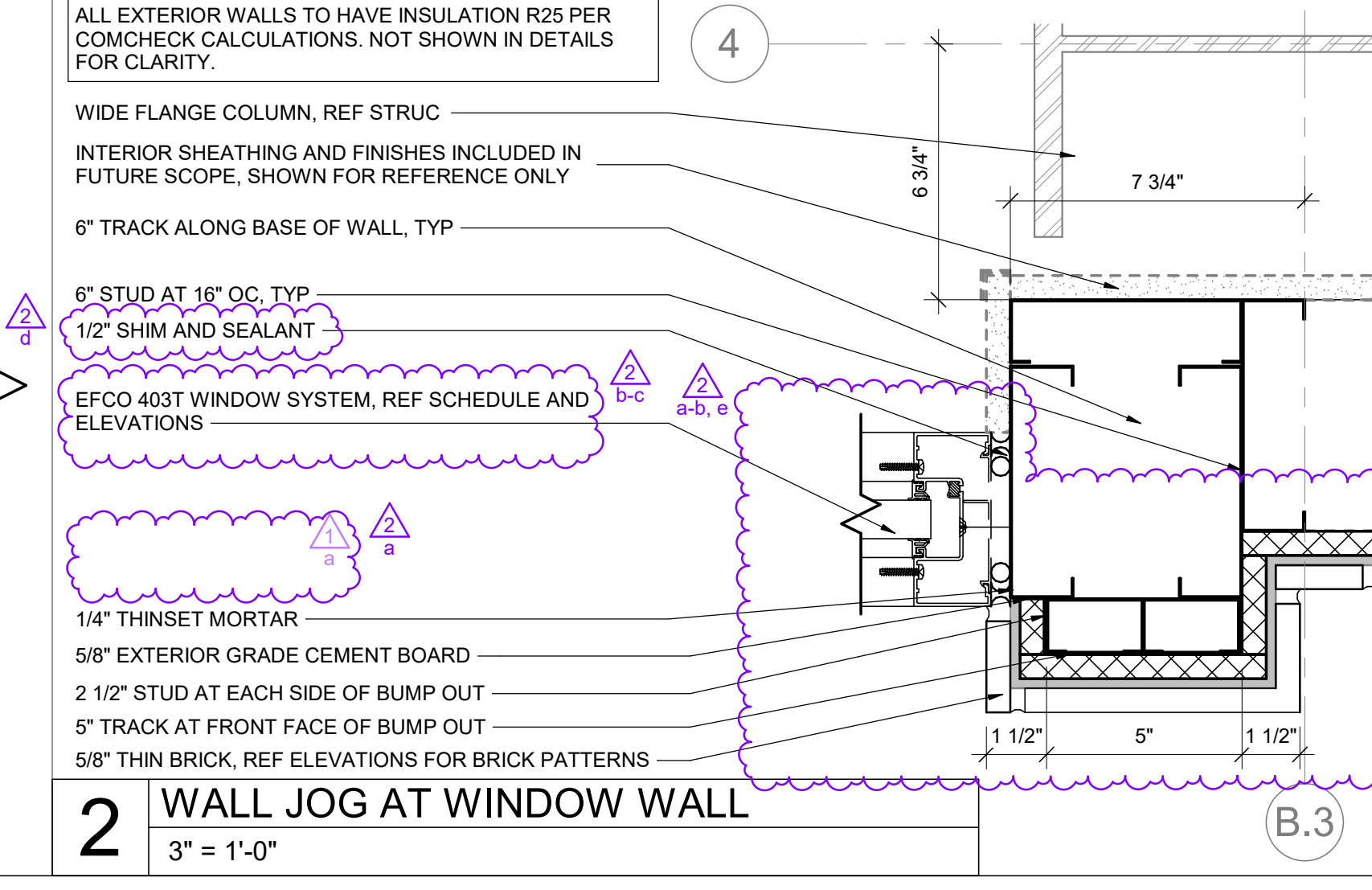
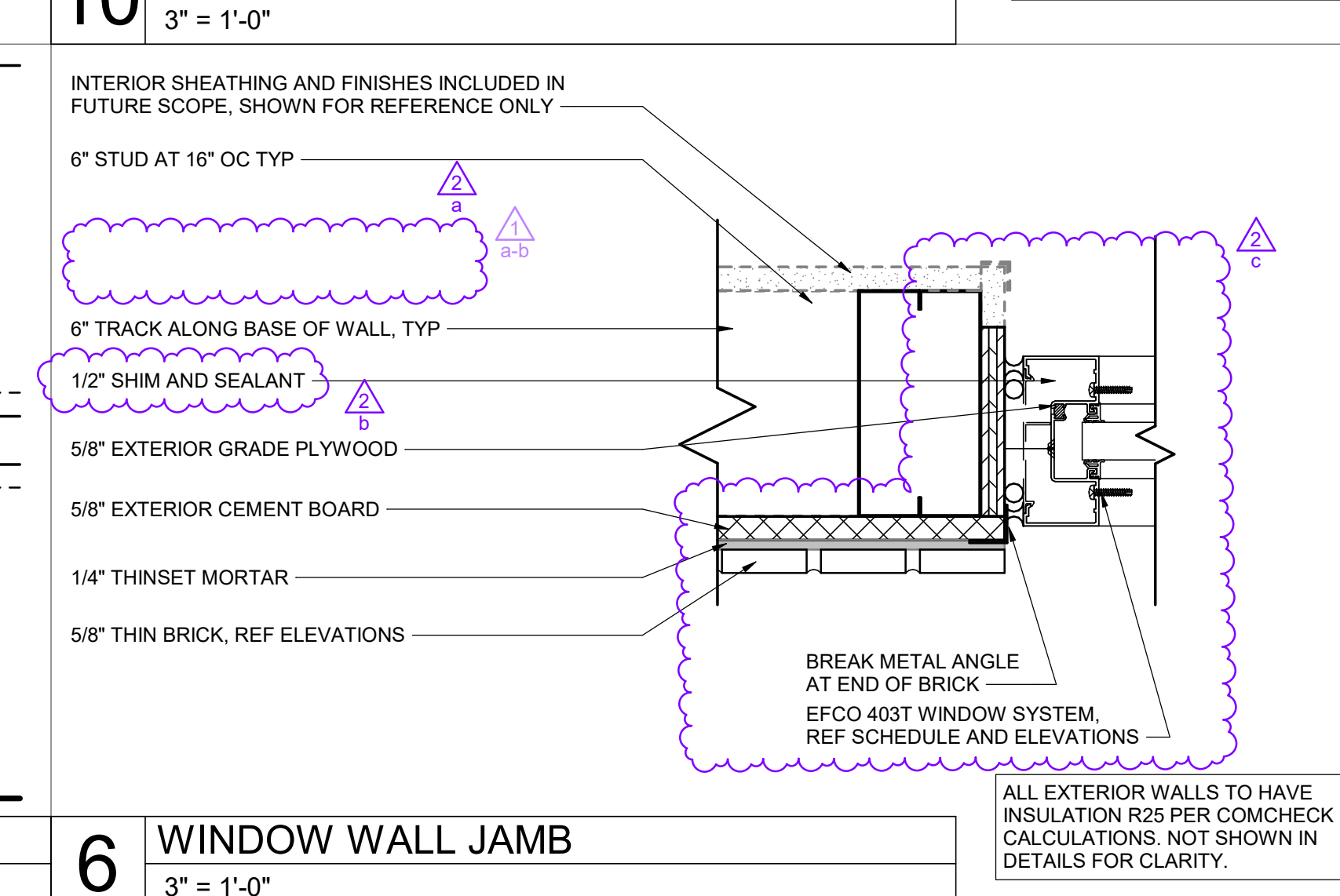
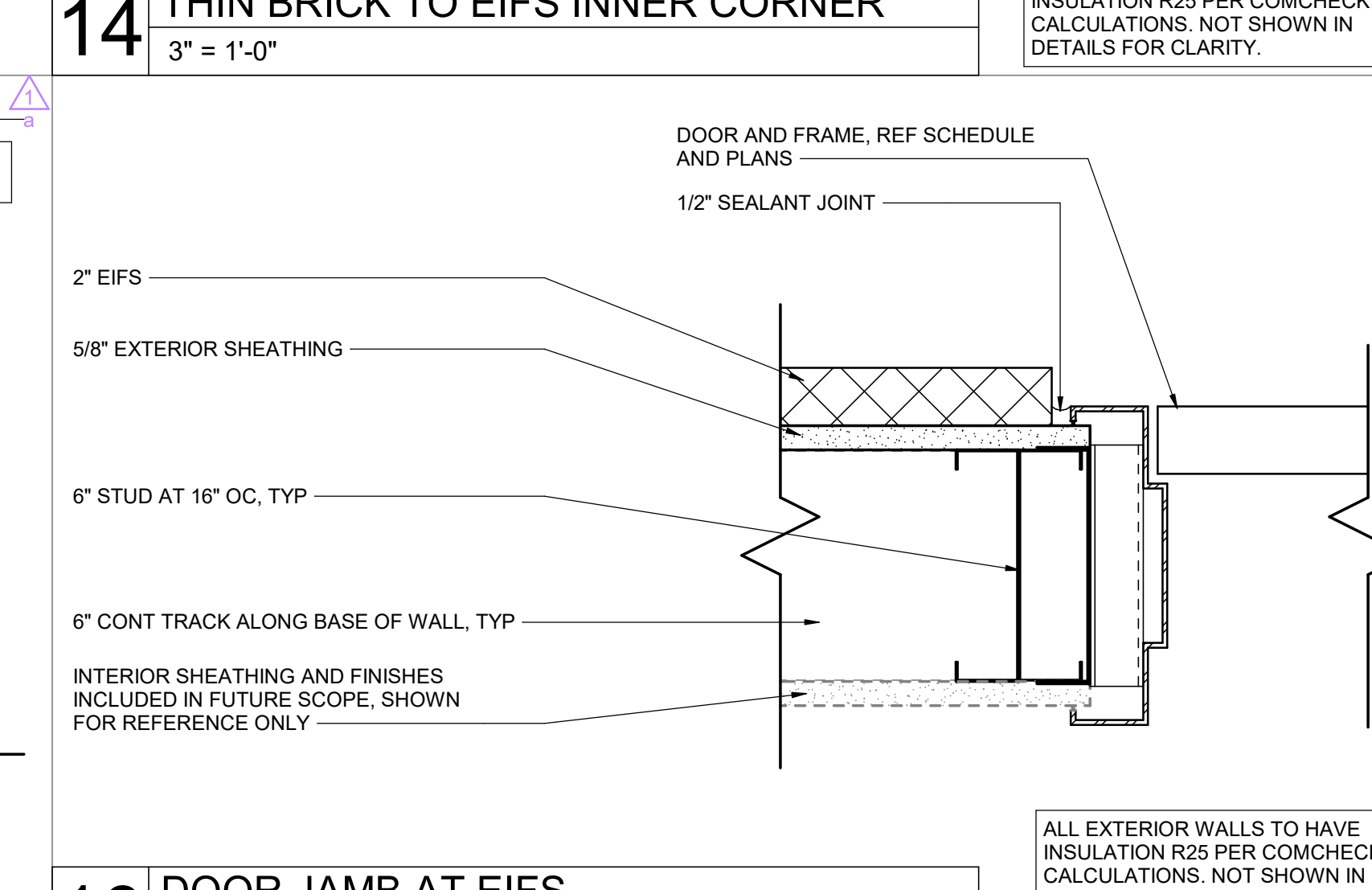
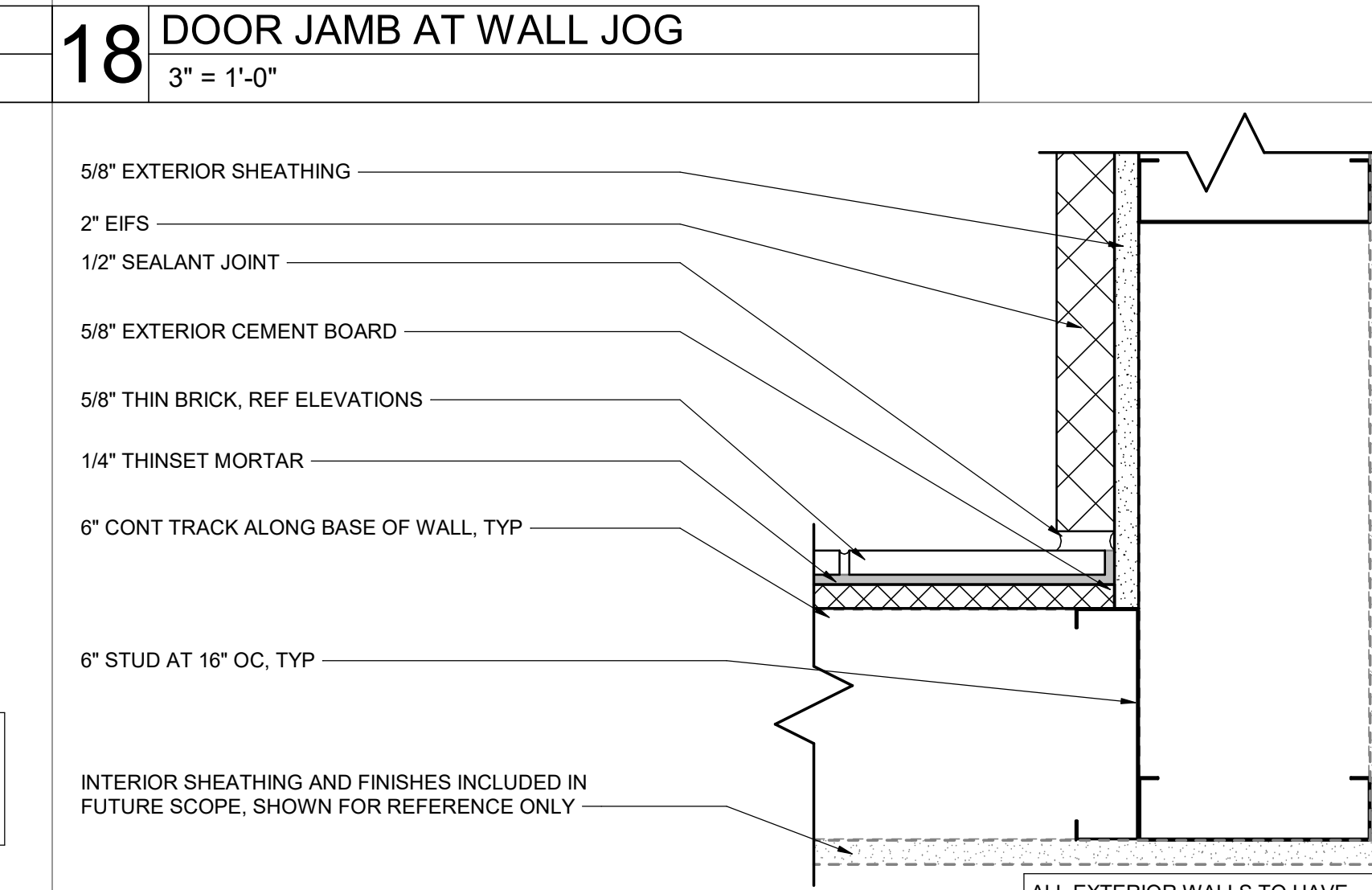
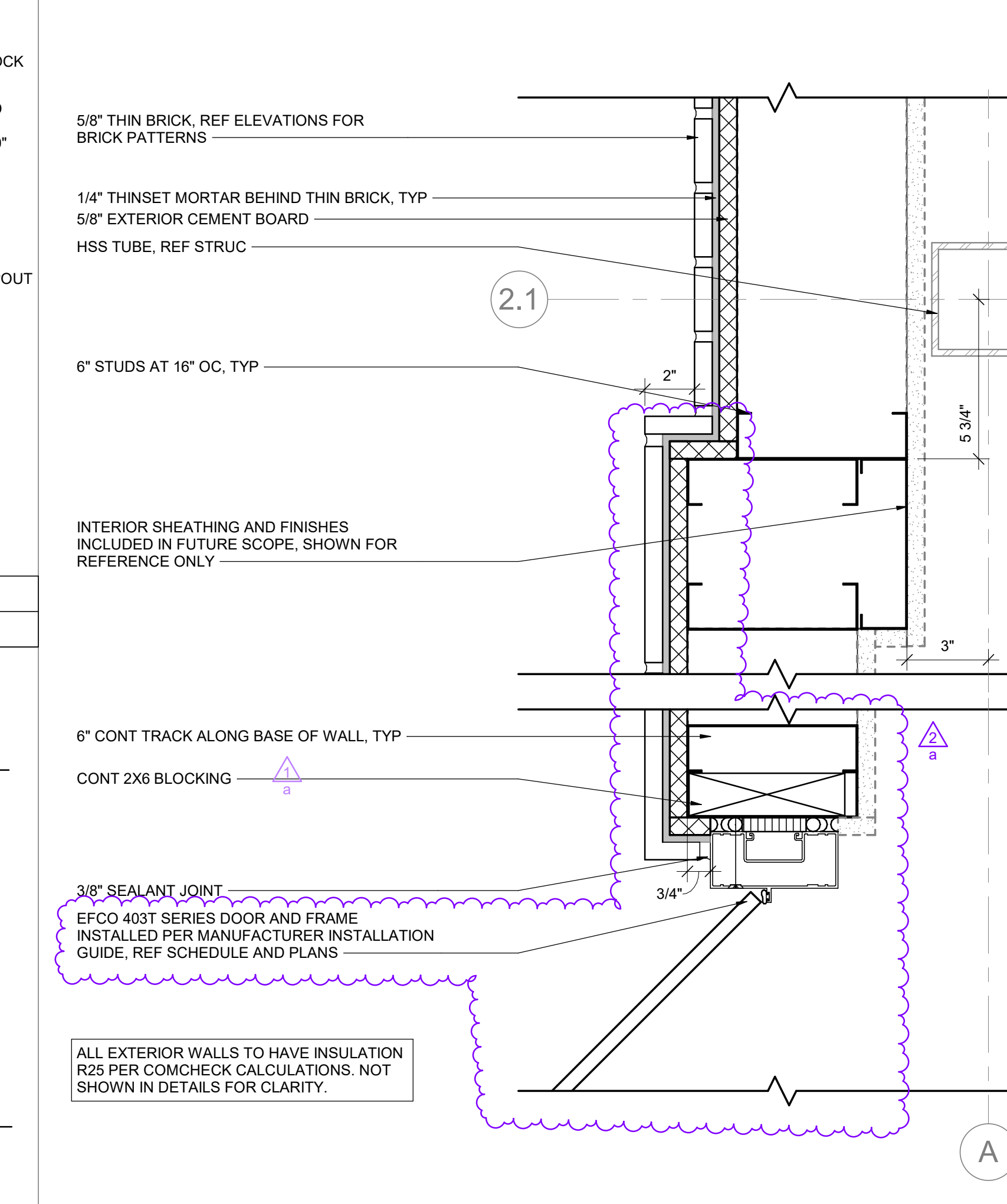
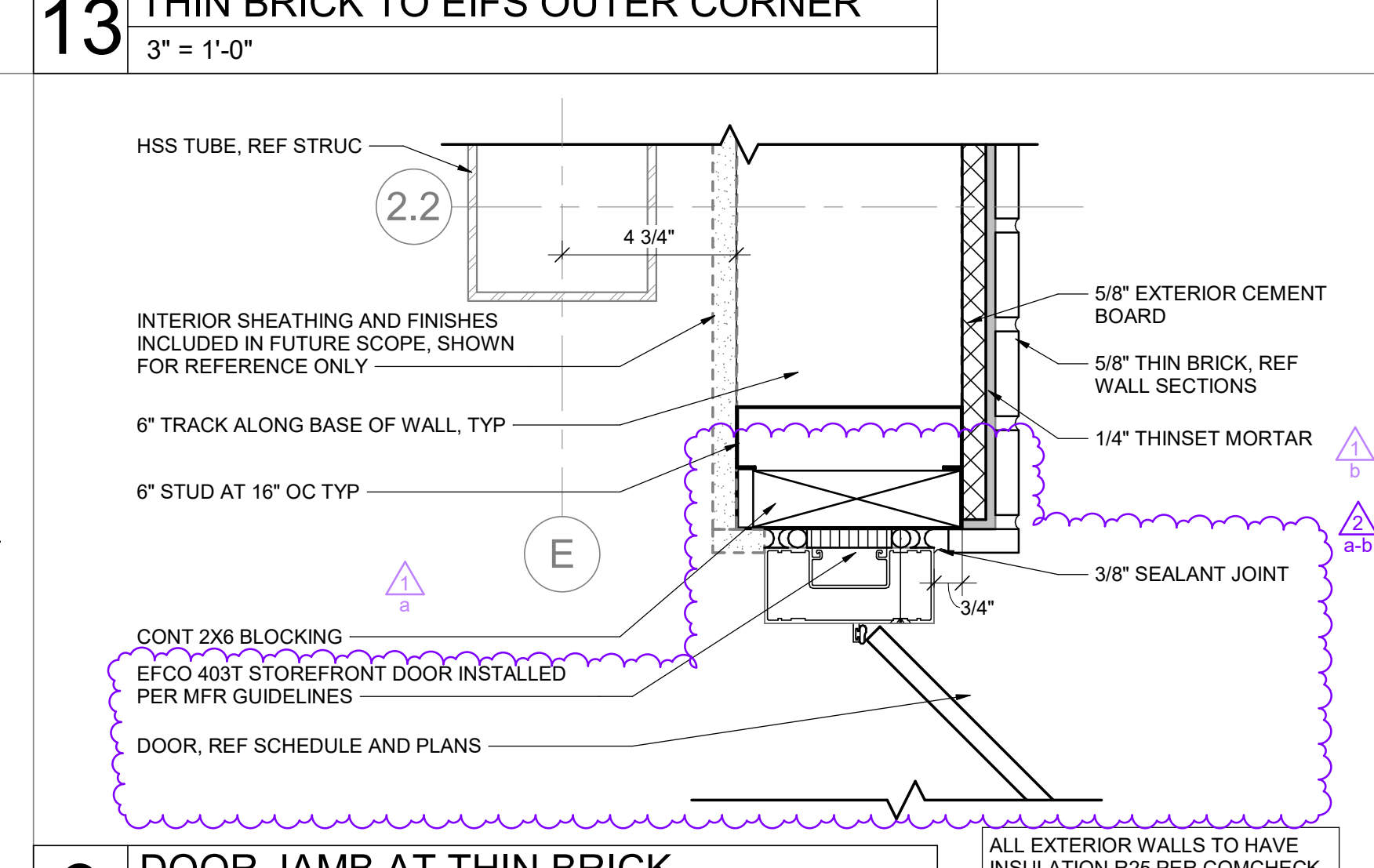
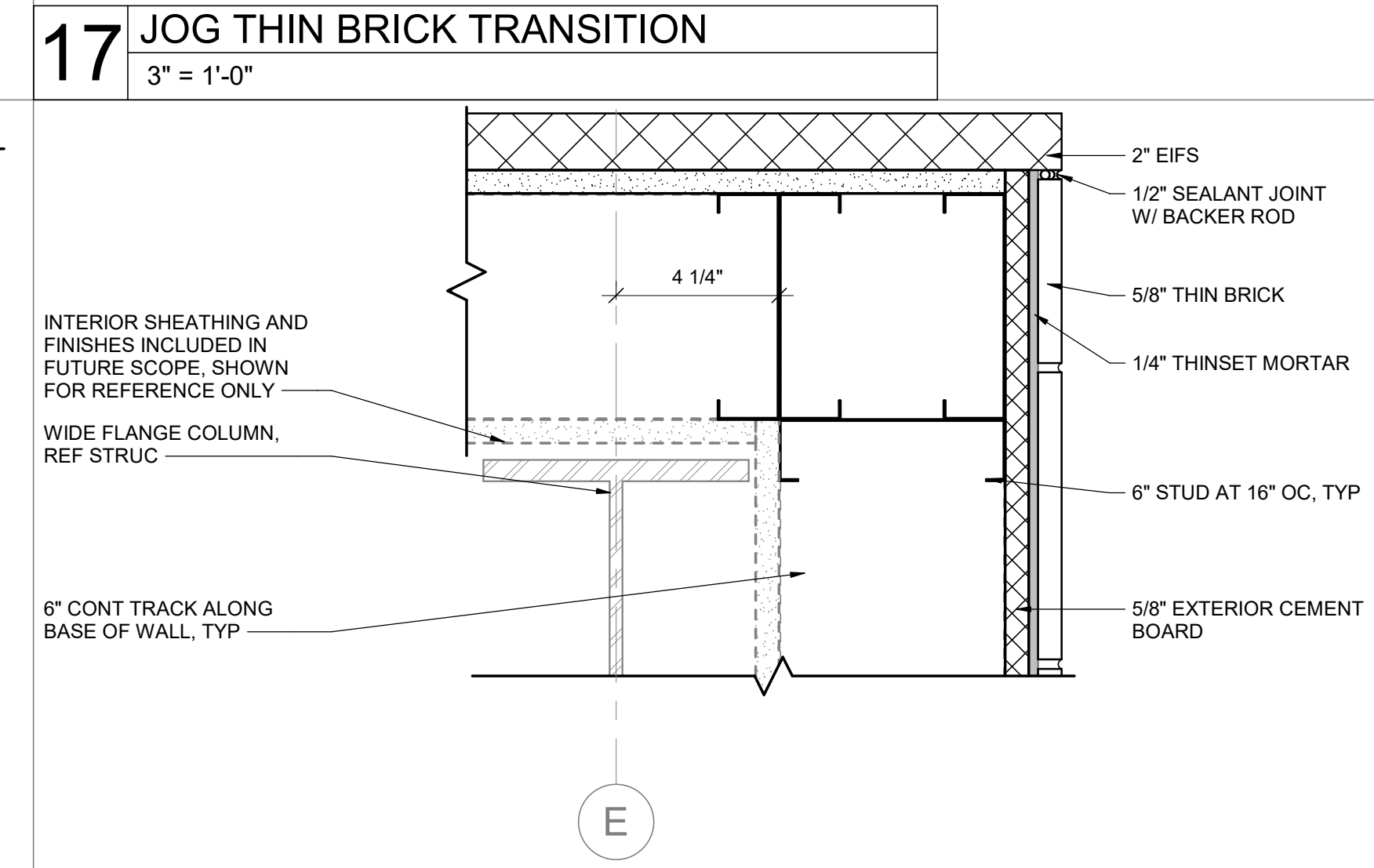
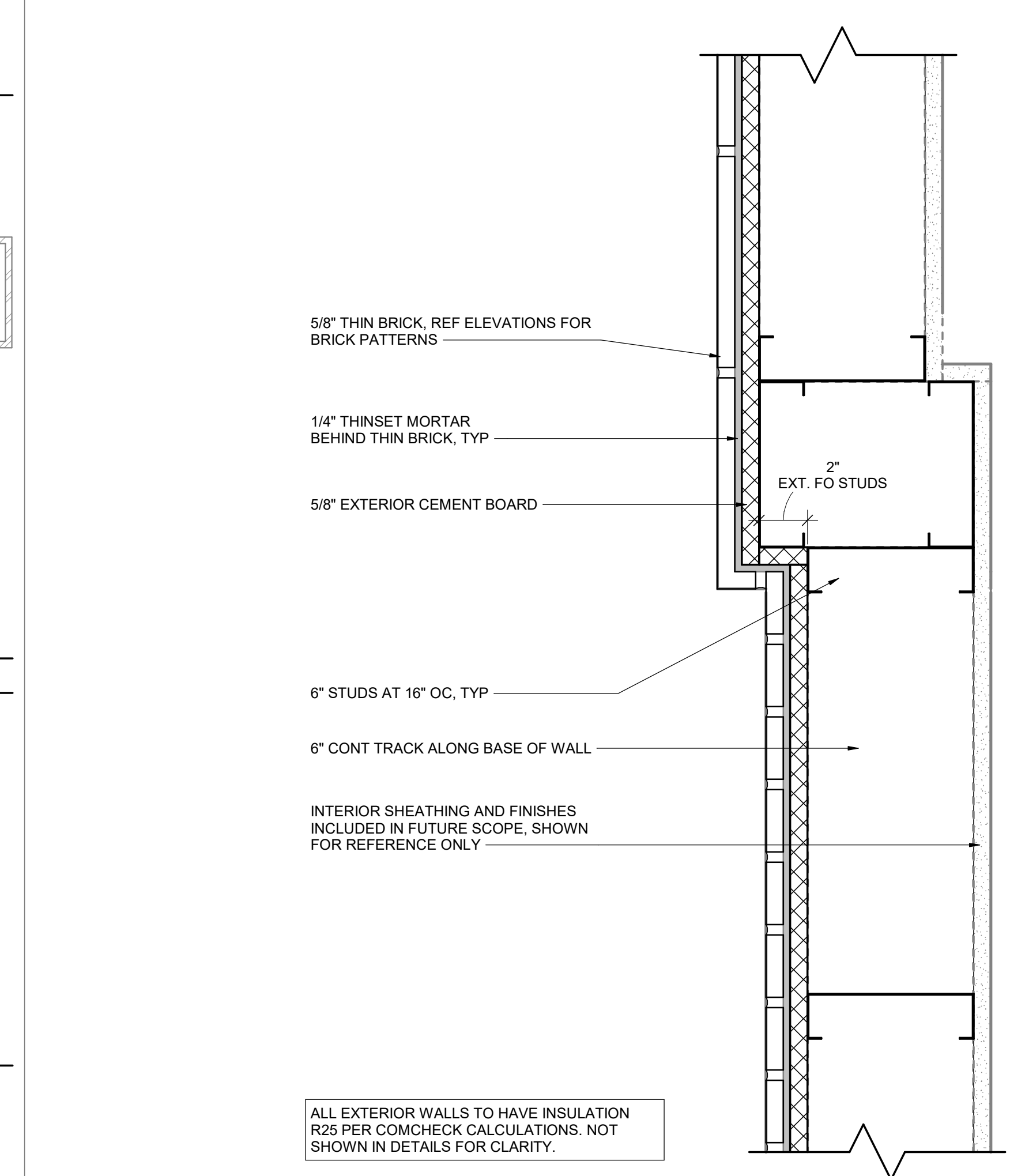
SHEET NUMBER

A101

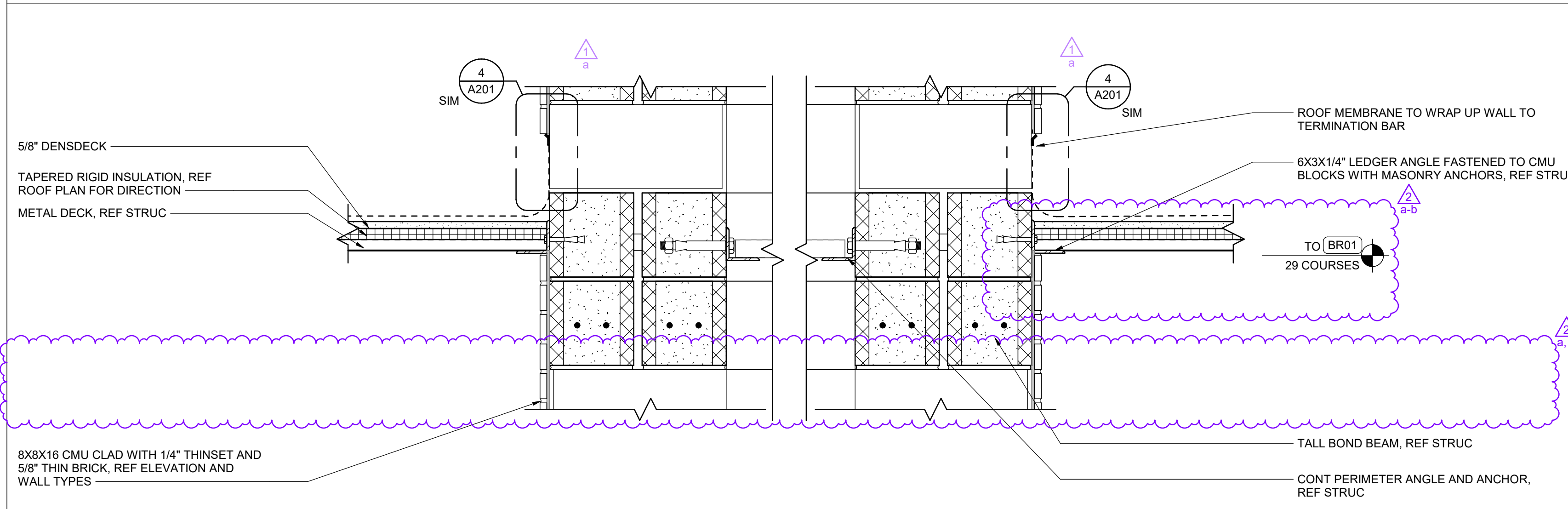
10/13/2025 8:53:17 AM

1 PARTITION PLAN
 1/4" = 1'-0"

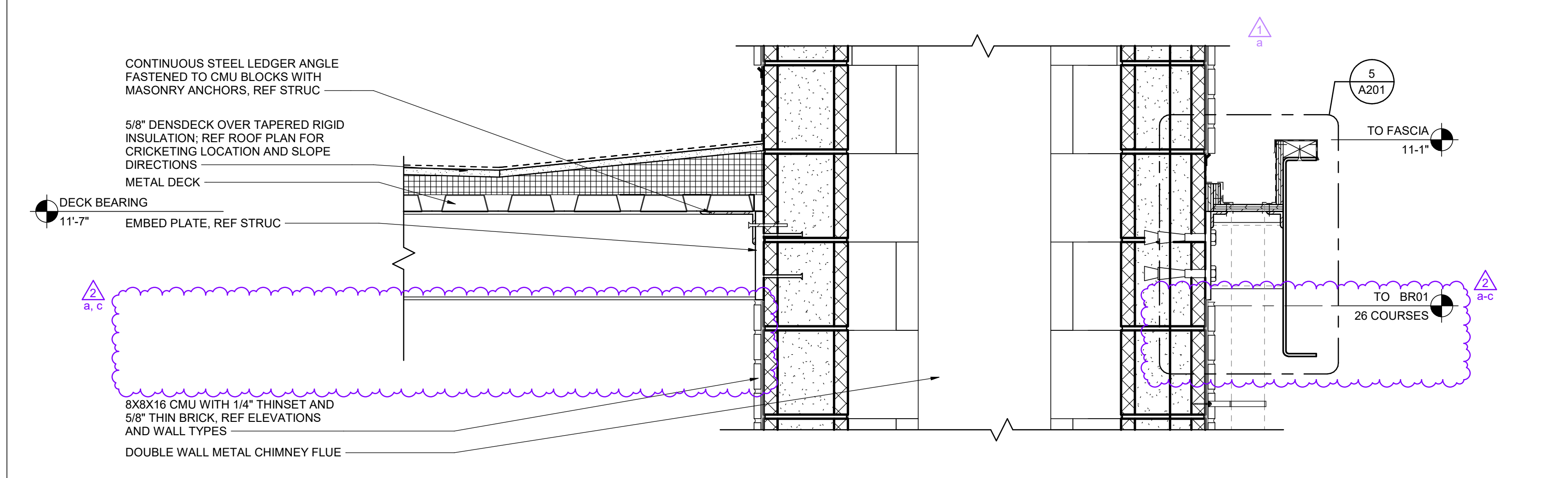
ISSUES AND REVISIONS				
NUMBER	DATE	BY	ORIGINAL ISSUE	DESCRIPTION
1			REVISION 1	
2			REVISION 2	
3			REVISION 3	
4			REVISION 4	



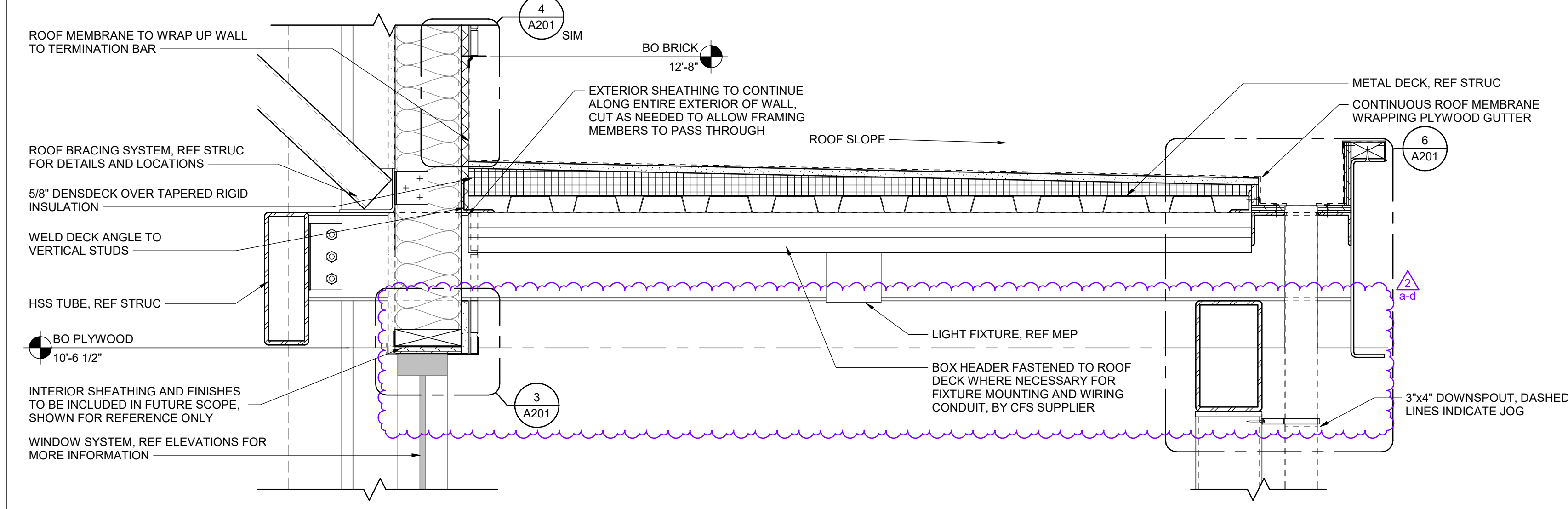
NUMBER	DATE	REVISION	DESCRIPTION
1	09/03/25	ISSUED FOR PERMIT	
2	09/03/25	REVISION 1	
3	09/03/25	REVISION 2	



7 CANOPY AT FIREPLACE 02
 1 1/2" = 1'-0"



5 CANOPY AT FIREPLACE 01
 1 1/2" = 1'-0"

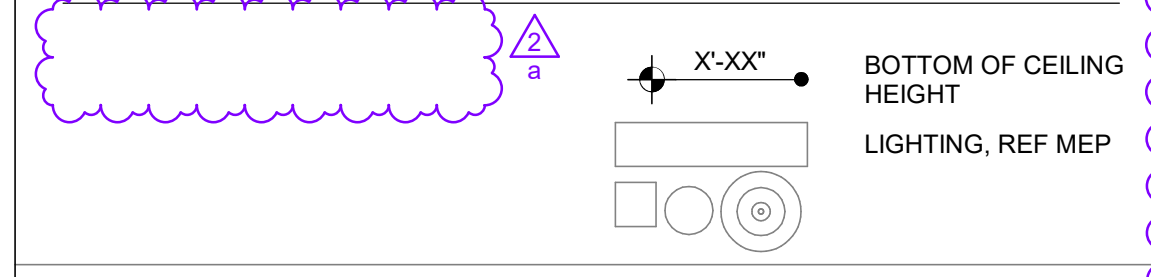


3 ENTRY CANOPY AT WINDOW WALL
 1 1/2" = 1'-0"

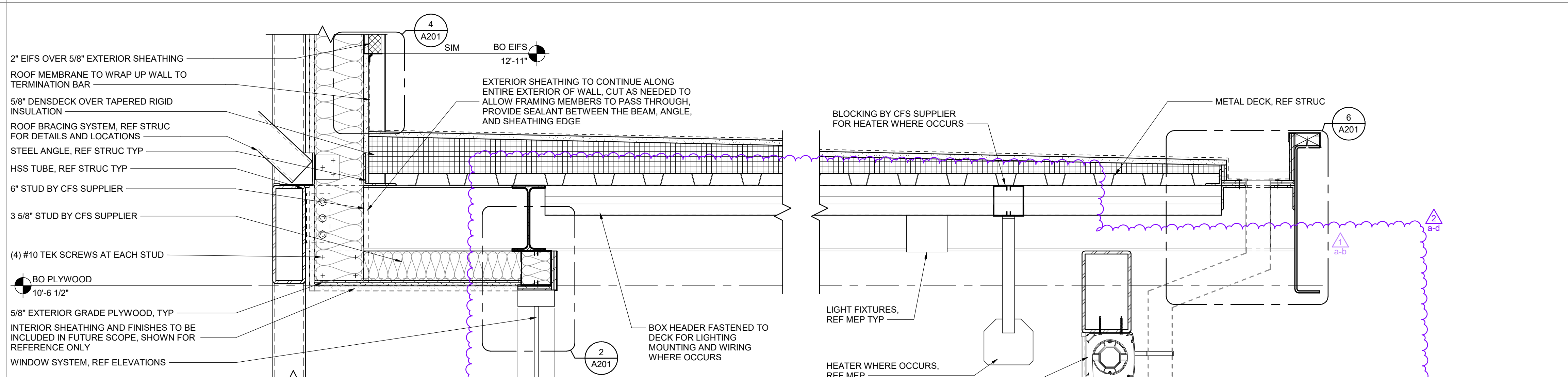
SHEET NOTES

- REFERENCE ELECTRICAL FOR LIGHTING LAYOUT AND SPECS, SHOWN FOR REFERENCE ONLY
- REMOVE ALL STICKERS OR TAGS ON OVERHEAD UTILITIES, UNLESS RESTRICTED BY CODE OR INDICATING WARRANTY AND CERTIFICATION INFORMATION
- DIMENSIONS SHOWN TO/FROM FACE OF FINISH, UNLESS INDICATED OTHERWISE
- WOOD HATCH DIRECTION INDICATES PLANK AND GRAIN DIRECTION, COORDINATE WITH FINISH SCHEDULE
- CEILING JOISTS UNO:
 - A. SPANS UP TO 14'-0"
 - 16" OC JOIST SPACING
 - 600S162-43 (6" X 16" S1616GA)
 - LATERAL BRIDGING IS REQUIRED AT MID SPAN ONLY
 - B. SPANS UP TO 20'-0"
 - 16" OC JOIST SPACING
 - 600S162-24 (6" X 16" S1616GA)
 - LATERAL BRIDGING IS REQUIRED AT THIRD POINTS

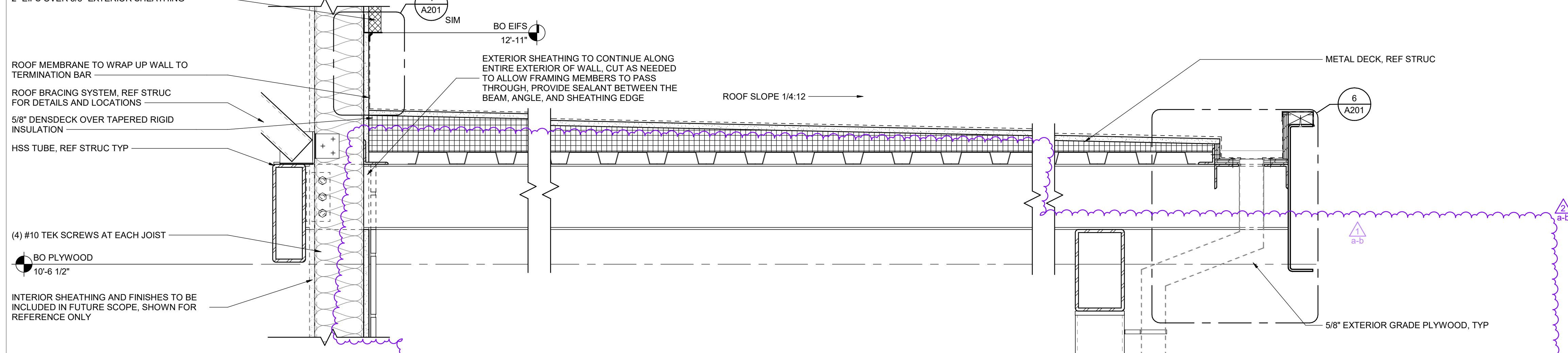
SYMBOLS LEGEND



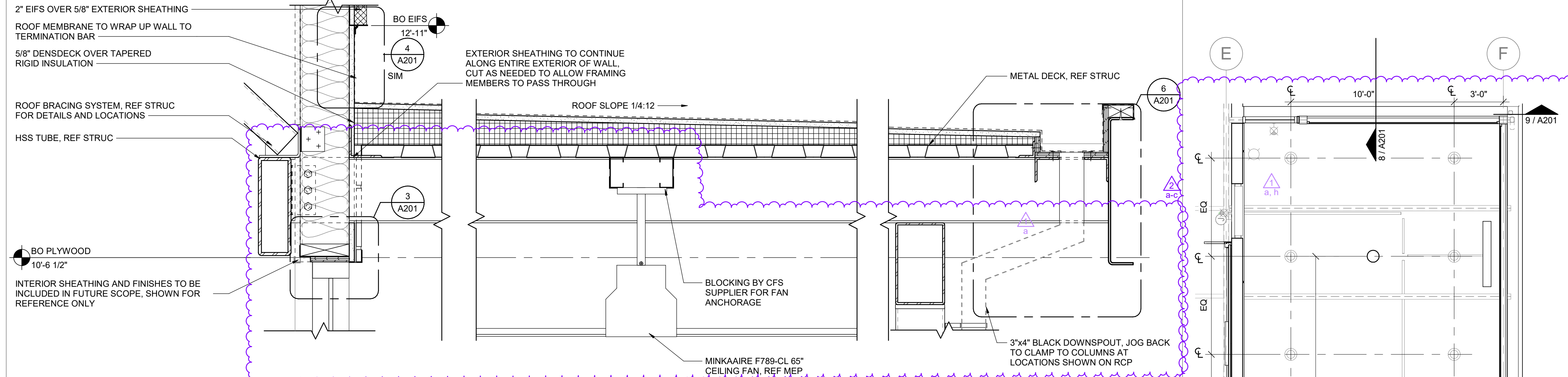
1 REFLECTED CEILING PLAN
 1/4" = 1'-0"



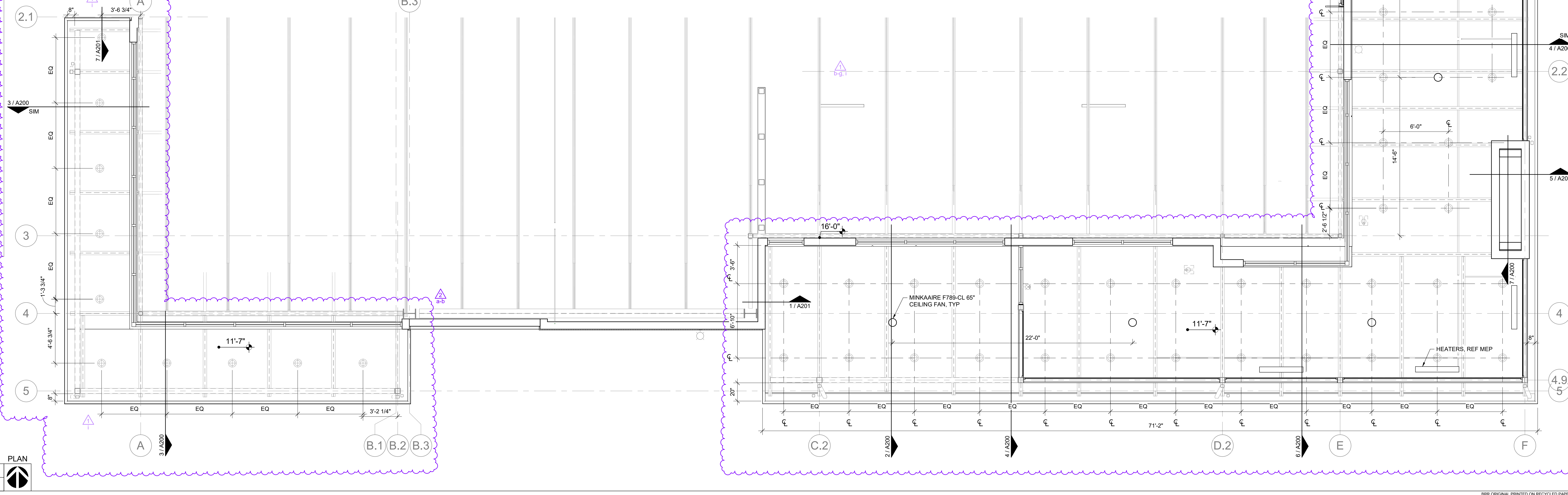
6 CANOPY AT DINING BUMP OUT
 1 1/2" = 1'-0"



4 CANOPY AT THIN BRICK/EIFS
 1 1/2" = 1'-0"



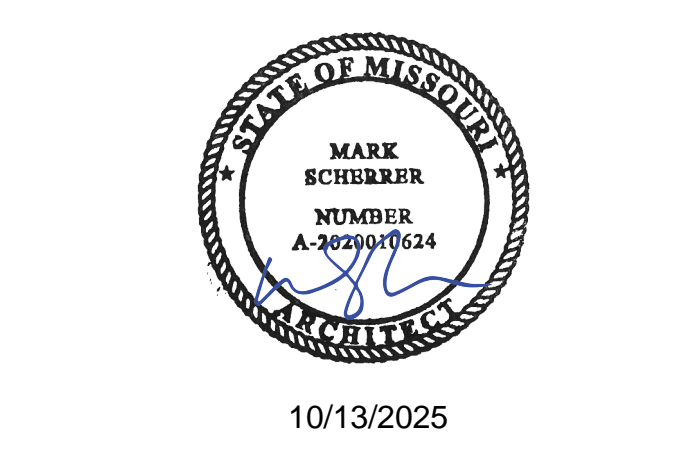
2 CANOPY AT WINDOW WALL
 1 1/2" = 1'-0"



10/13/2025 8:31:59 AM

Q39 (SHELL)
LEE'S SUMMIT, MO
 OLDHAM VILLAGE

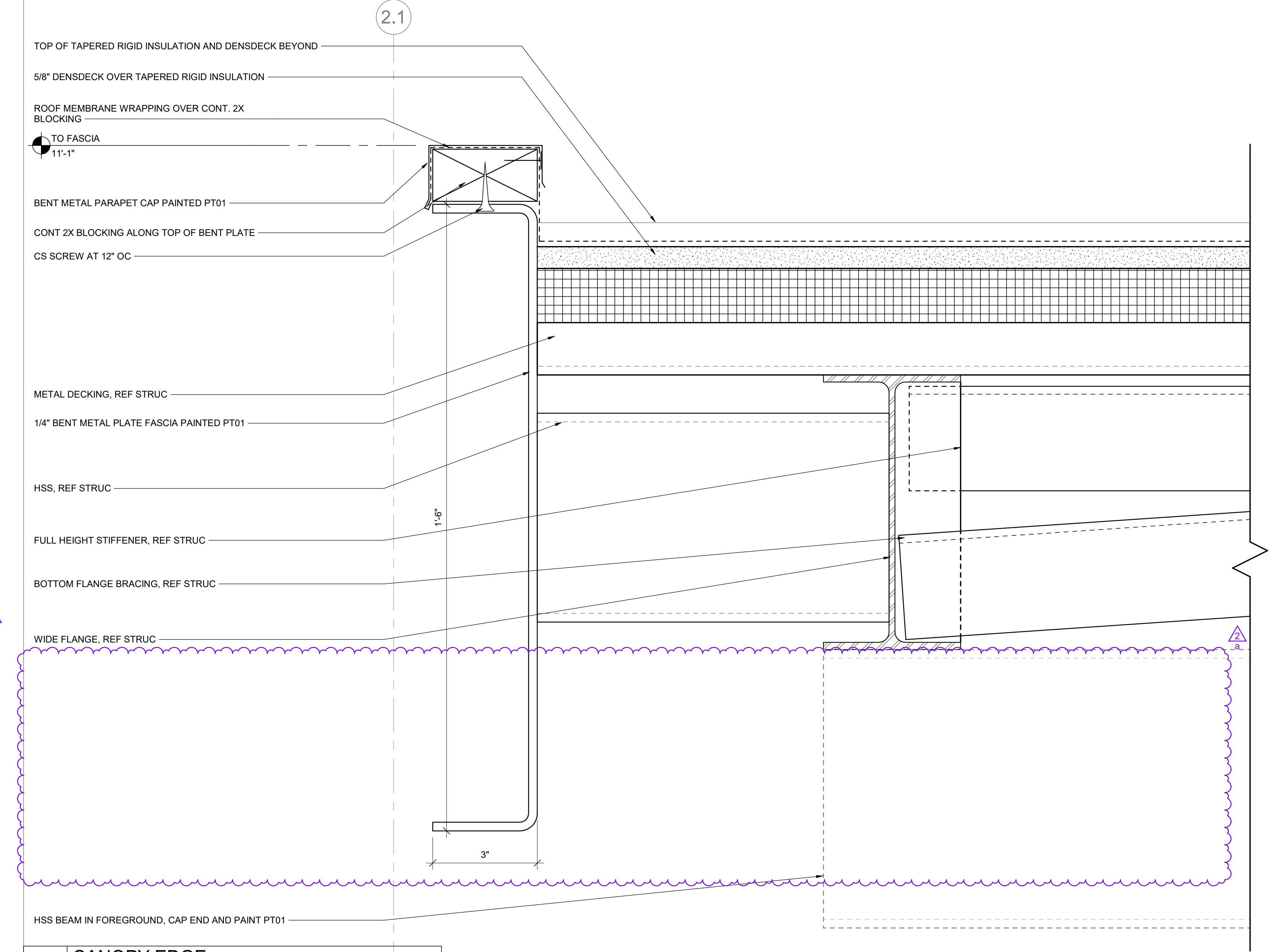
PROJECT NUMBER	62500002
PROJECT MANAGER	TM
DRAWN BY	ND
CHECKED BY	
PROFESSIONAL SEAL	



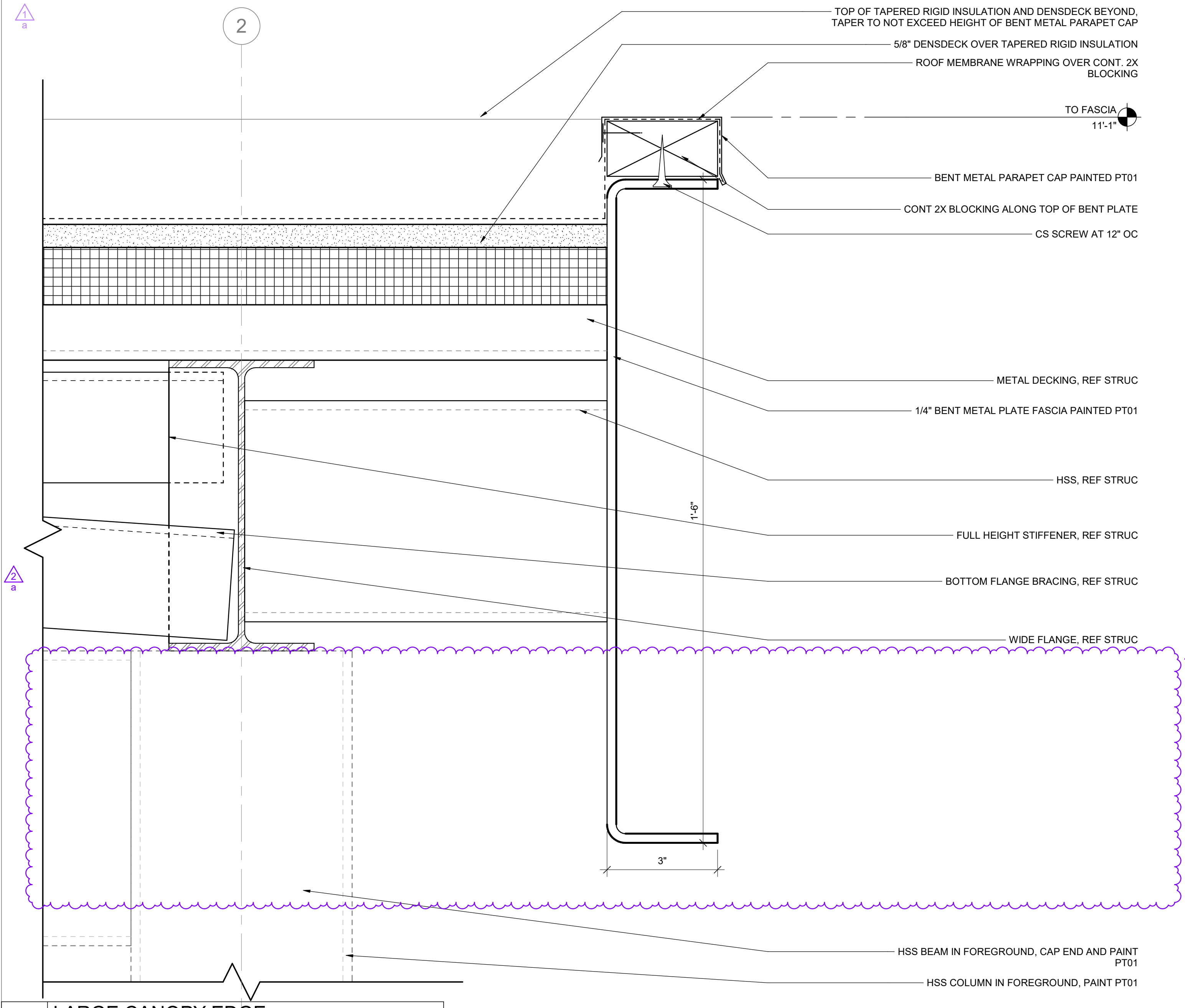
COPYRIGHT NOTICE
 THIS DRAWING WAS PREPARED FOR USE ON A SPECIFIC SITE. CONTAINED HEREIN IS THE PROPERTY OF BRR ARCHITECTURE INC. AND IS NOT TO BE REPRODUCED OR TRANSMITTED IN ANY FORM OR BY ANY MEANS, ELECTRONIC OR MECHANICAL, INCLUDING PHOTOCOPYING, RECORDING, OR BY ANY INFORMATION STORAGE AND RETRIEVAL SYSTEM, WITHOUT THE WRITTEN PERMISSION OF BRR ARCHITECTURE INC. THE SERVICES OF BRR ARCHITECTURE INC. ARE LIMITED TO ARCHITECTURAL AND ENGINEERING SERVICES ONLY. THIS DRAWING IS NOT TO BE REPRODUCED OR TRANSMITTED IN ANY FORM OR BY ANY MEANS, ELECTRONIC OR MECHANICAL, INCLUDING PHOTOCOPYING, RECORDING, OR BY ANY INFORMATION STORAGE AND RETRIEVAL SYSTEM, WITHOUT THE WRITTEN PERMISSION OF BRR ARCHITECTURE INC.

NUMBER	DATE	ORIGINAL ISSUE	DESCRIPTION
1	06/20/25	ADDITIONAL	
2	10/13/25	ADDITIONAL	

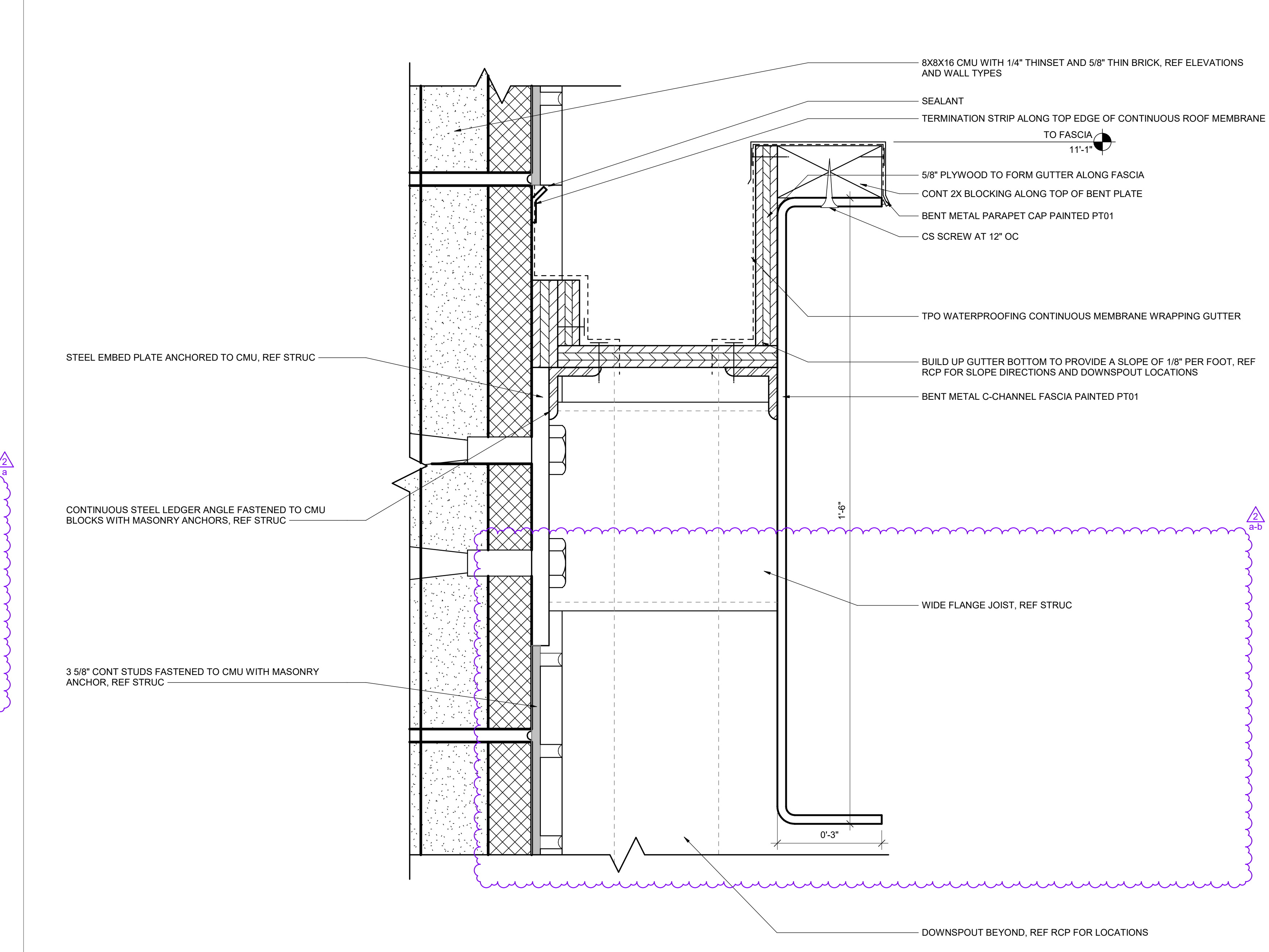
SHEET NAME	CANOPY DETAILS
SHEET NUMBER	A201



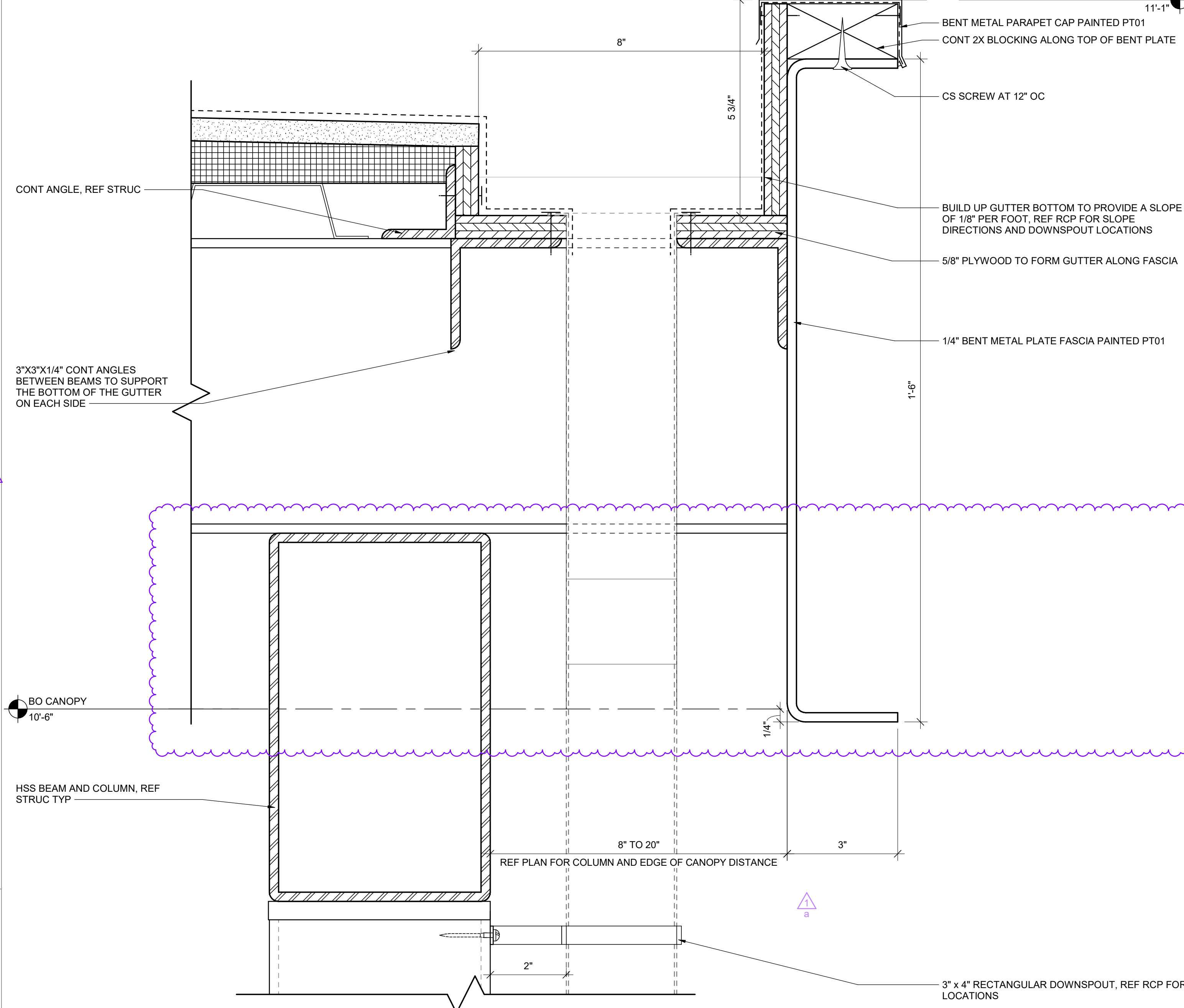
7 CANOPY EDGE
 6" = 1'-0"



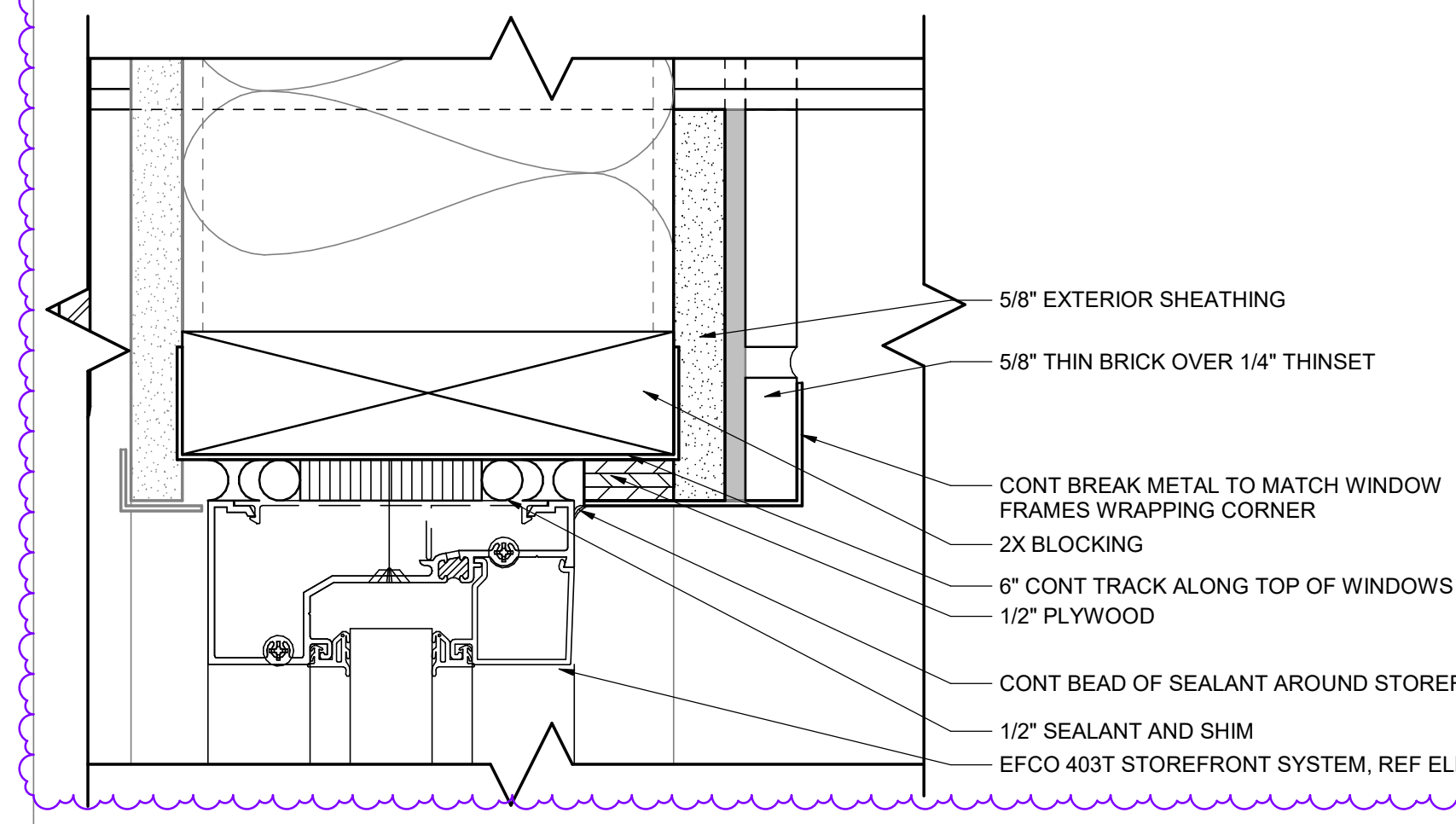
8 LARGE CANOPY EDGE
 6" = 1'-0"



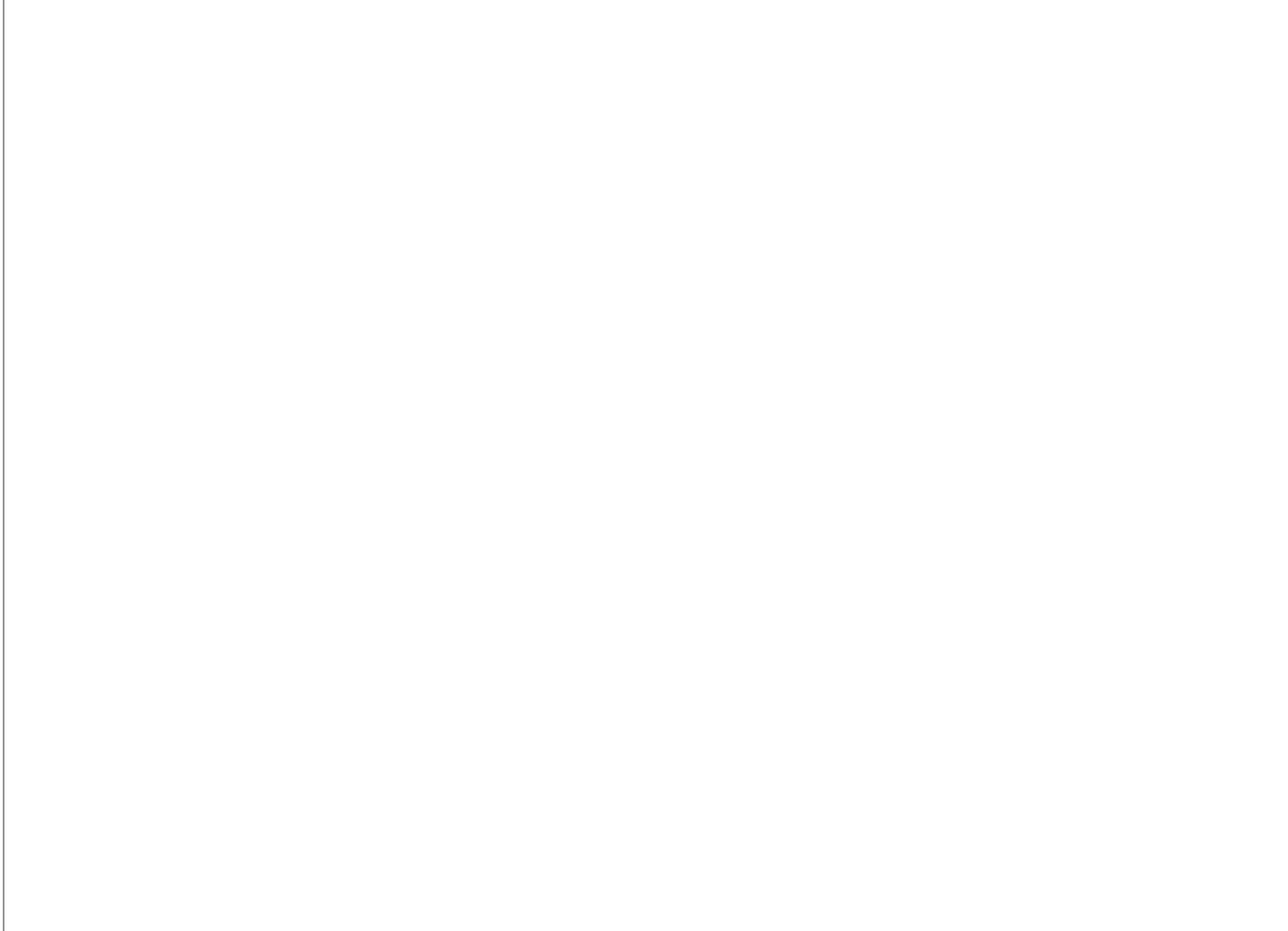
5 FASCIA AT FIREPLACE
 6" = 1'-0"



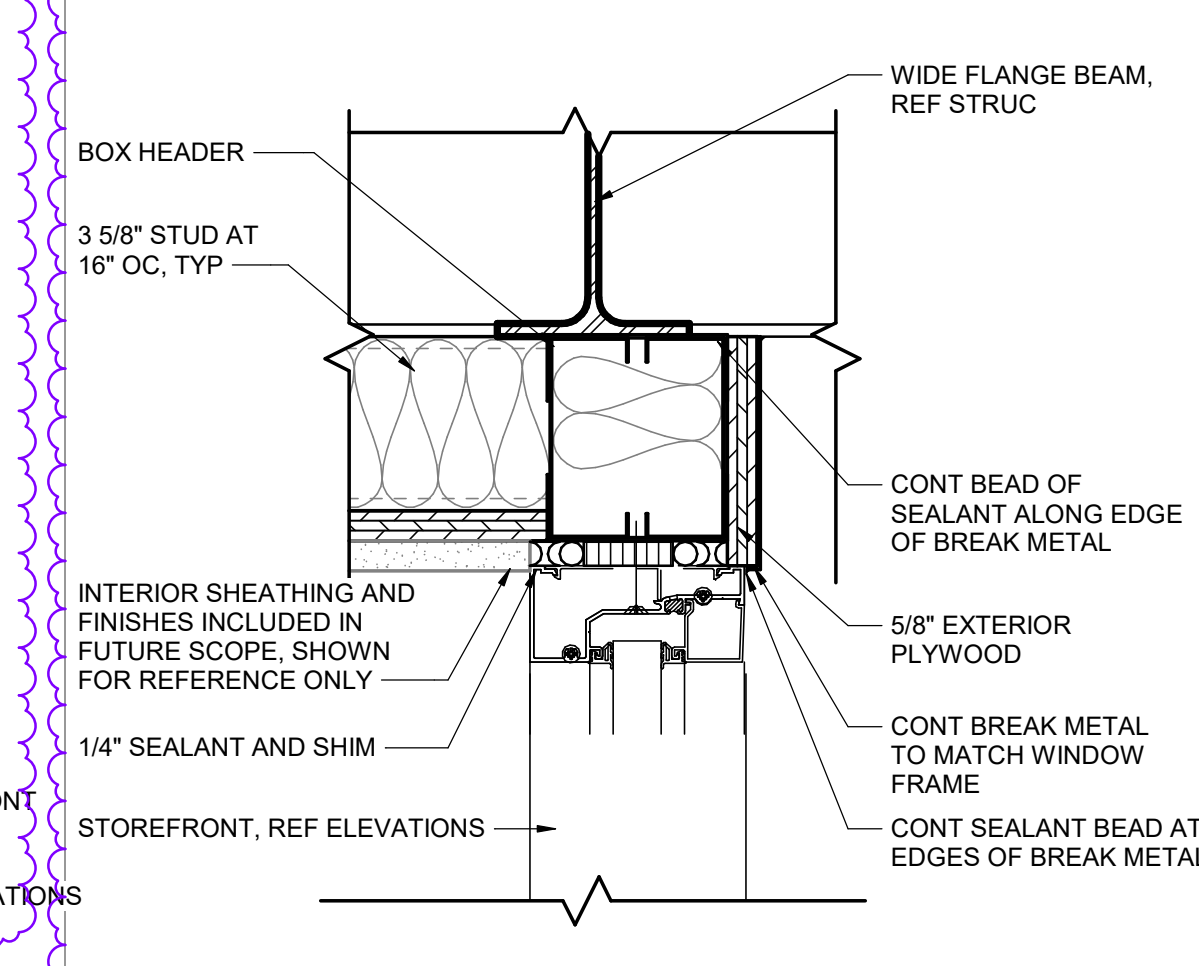
9 SECONDARY DRAIN
 3" = 1'-0"



3 CANOPY CONNECTION AT WINDOWS
 6" = 1'-0"



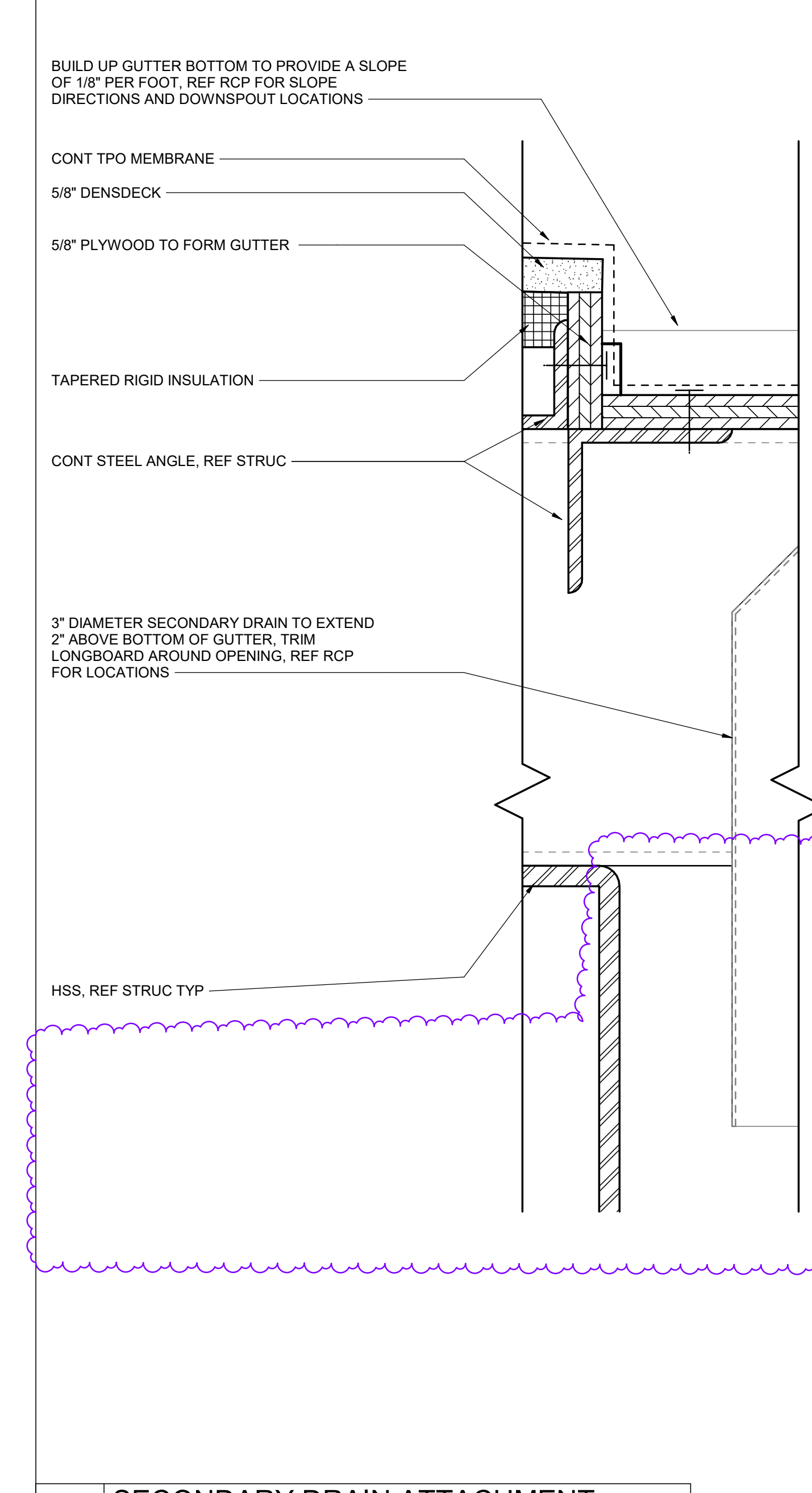
6 CANOPY FASCIA AND GUTTERS
 6" = 1'-0"



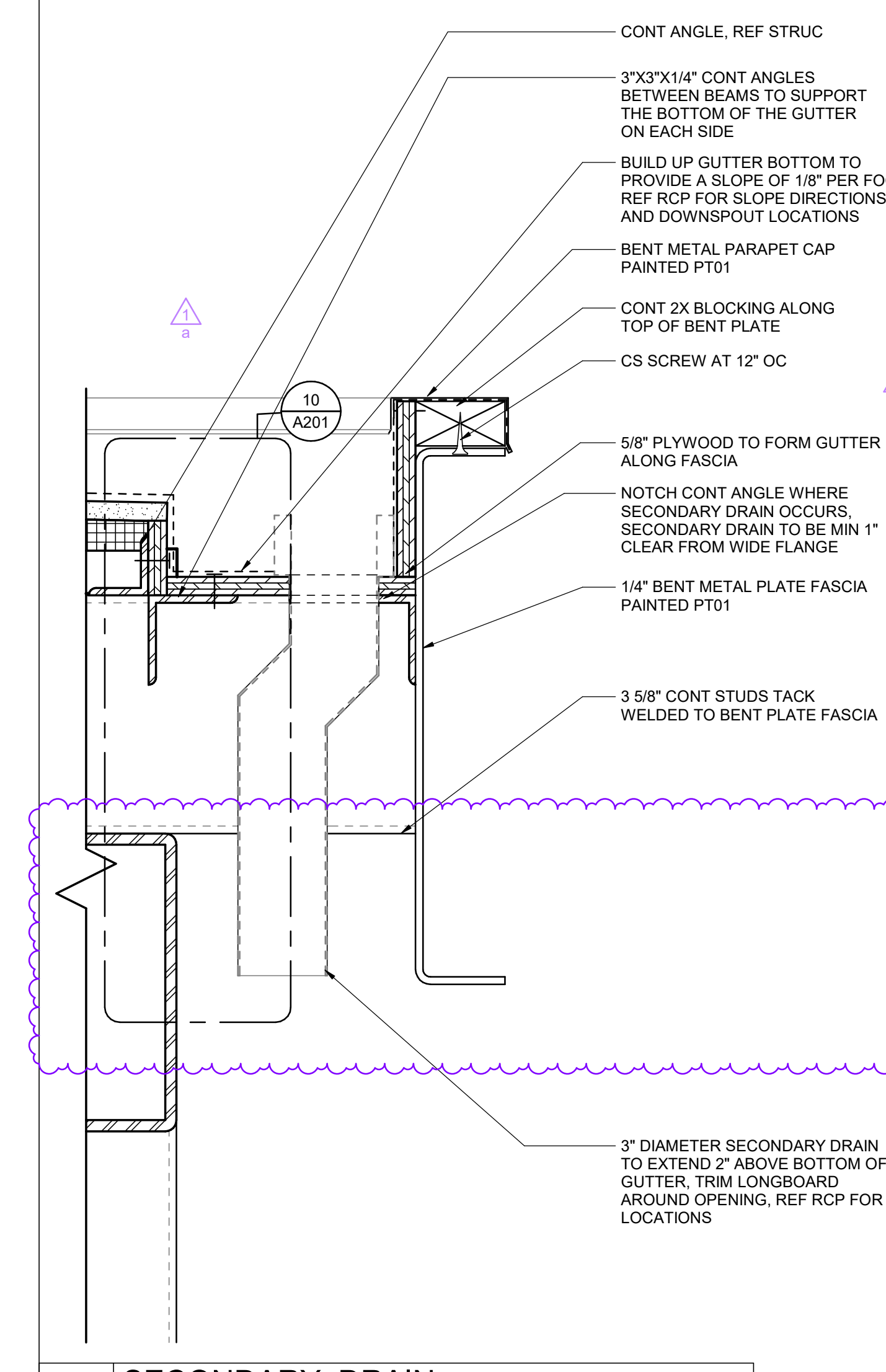
2 BOX HEADER AT DINING BUMP OUT
 3" = 1'-0"



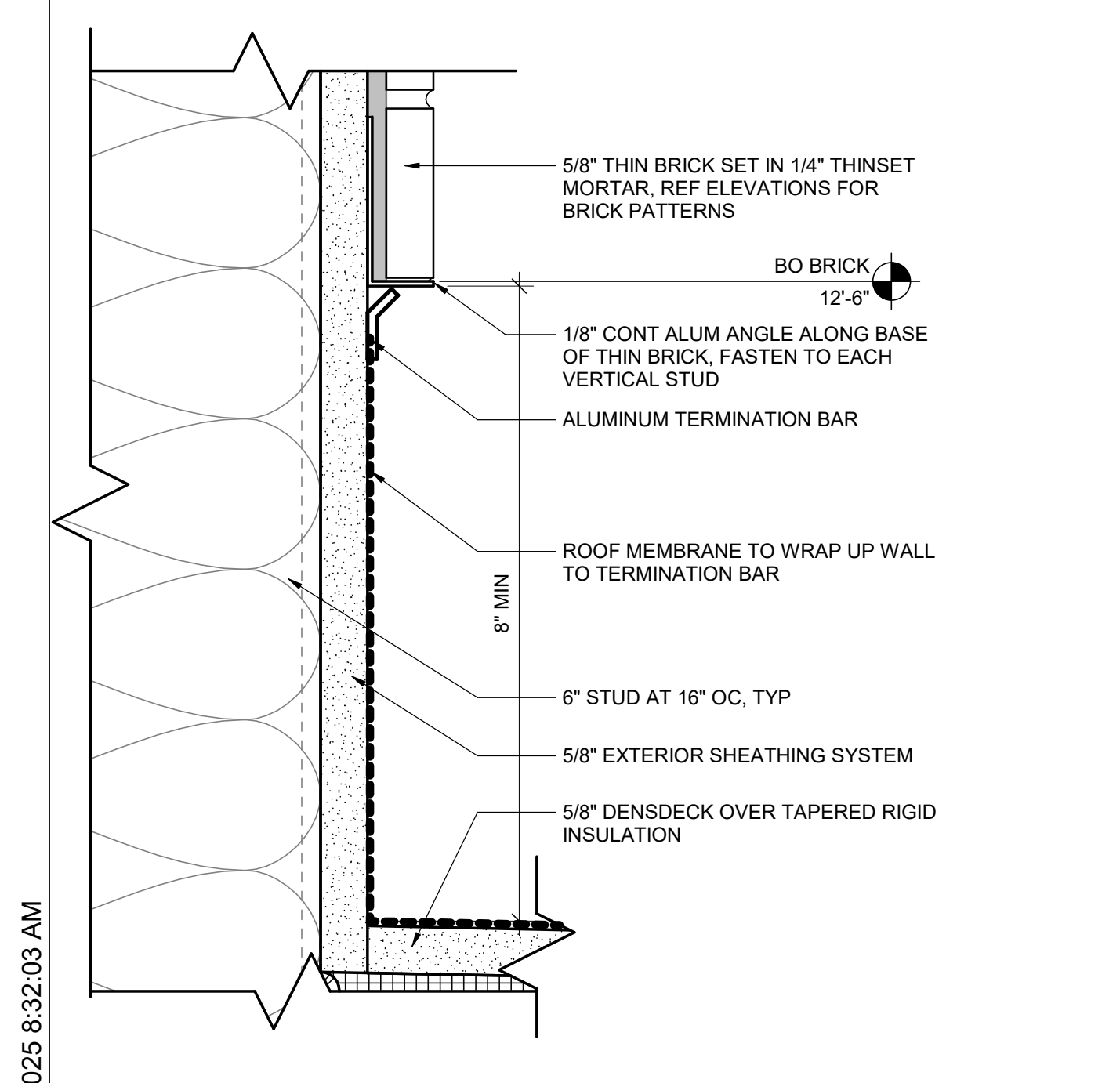
4 THIN BRICK ABOVE CANOPY
 6" = 1'-0"



10 SECONDARY DRAIN ATTACHMENT
 6" = 1'-0"



9 SECONDARY DRAIN
 3" = 1'-0"



4 THIN BRICK ABOVE CANOPY
 6" = 1'-0"



1 CANOPY EDGE AT THIN BRICK
 1 1/2" = 1'-0"

10/13/2025 8:32:03 AM

SHEET NOTES

1. REFERENCE STRUCTURAL FOR ROOF REINFORCEMENT AT NEW TENANT EQUIPMENT
2. REFERENCE MEPP FOR NEW TENANT EQUIPMENT AND PENETRATIONS, SHOWN FOR REFERENCE ONLY
3. PAINT ALL PIPING SAFETY YELLOW
4. PROVIDE CONTINUOUS WALKWAY PAD AND CRICKET AT NEW ROOFTOP EQUIPMENT. PROVIDE WALKWAY PAD FROM ROOF ACCESS POINT TO ALL SERVICEABLE EQUIPMENT. COORDINATE WITH FUTURE TENANT EQUIPMENT. TYP
5. PROVIDE R30 CONTINUOUS INSULATION ION ROOF PER COMCHECK REPORT.

ARCHITECT OF RECORD

brr

BRR ARCHITECTURE INC.
 111 WESTLARK AVENUE
 SUITE 200
 OVERLAND PARK, KS 66204
 WWW.BRRARCH.COM
 TEL: 913.263.8666
 FAX: 913.263.8664

CONSULTANT

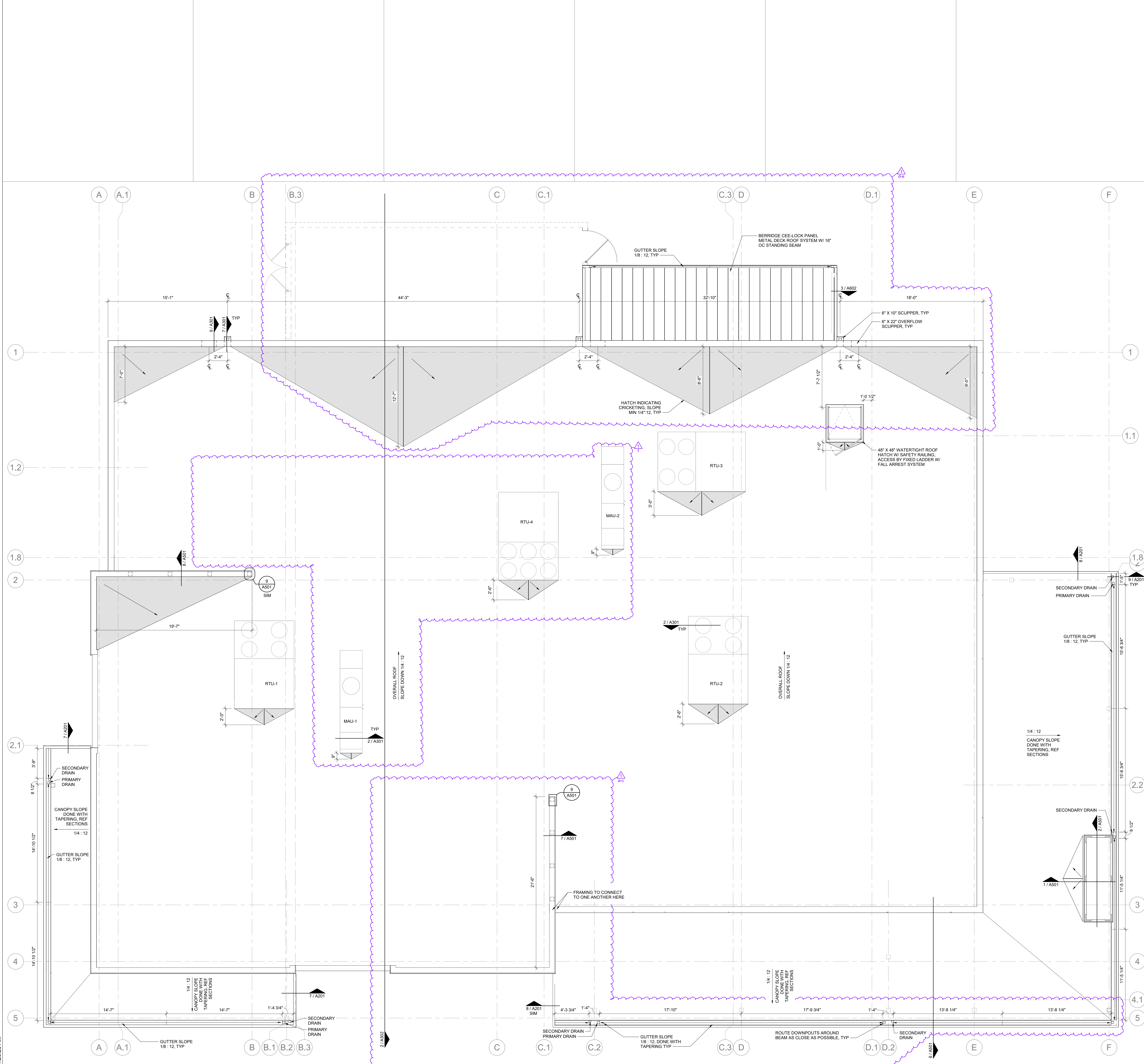
CLIENT

SYMBOLS LEGEND

- RTU, REF MEP
- FAN, REF MEP
- ROOF DRAIN/VENT, REF MEP

PROJECT TITLE

Q39 (SHELL)
LEE'S SUMMIT, MO
 OLDHAM VILLAGE



PROJECT NUMBER	62500002
PROJECT MANAGER	TM
DRAWN BY	ND
CHECKED BY	CTJ
PROFESSIONAL SEAL	



COPYRIGHT NOTICE

THIS DRAWING WAS PREPARED FOR USE ON A SPECIFIC SITE. CONTRACTORS SHALL VERIFY ALL DIMENSIONS AND CONDITIONS FOR USE ON A DIFFERENT PROJECT SITE OR AT A LATER TIME. USE OF THIS DRAWING FOR ANY OTHER PROJECT WITHOUT THE WRITTEN PERMISSION OF THE ARCHITECT IS PROHIBITED. THE SERVICES OF ARCHITECTS, ENGINEERS, AND OTHER PROFESSIONALS ARE NOT GUARANTEED FOR USE ON ANY OTHER PROJECT. IT IS NOT AUTHORIZED AND MAY BE CONTRARY TO THE LAW.

BRR DOES NOT GUARANTEE THAT CAD FILES ARE SUFFICIENT OR APPROPRIATE FOR USER'S PURPOSES. USER USES OR ALTERS THESE FILES AT USER'S SOLE RISK AND AGREES TO ACCEPT FULL LIABILITY ARISING FROM USER'S USE.

NUMBER	DATE	DESCRIPTION
1	ISSUES	ORIGINAL ISSUES
1	REVISED	ADDENDUM 1

SHEET NAME

ROOF PLAN

SHEET NUMBER

6/20/2025 11:23:26 AM

1 **ROOF PLAN**

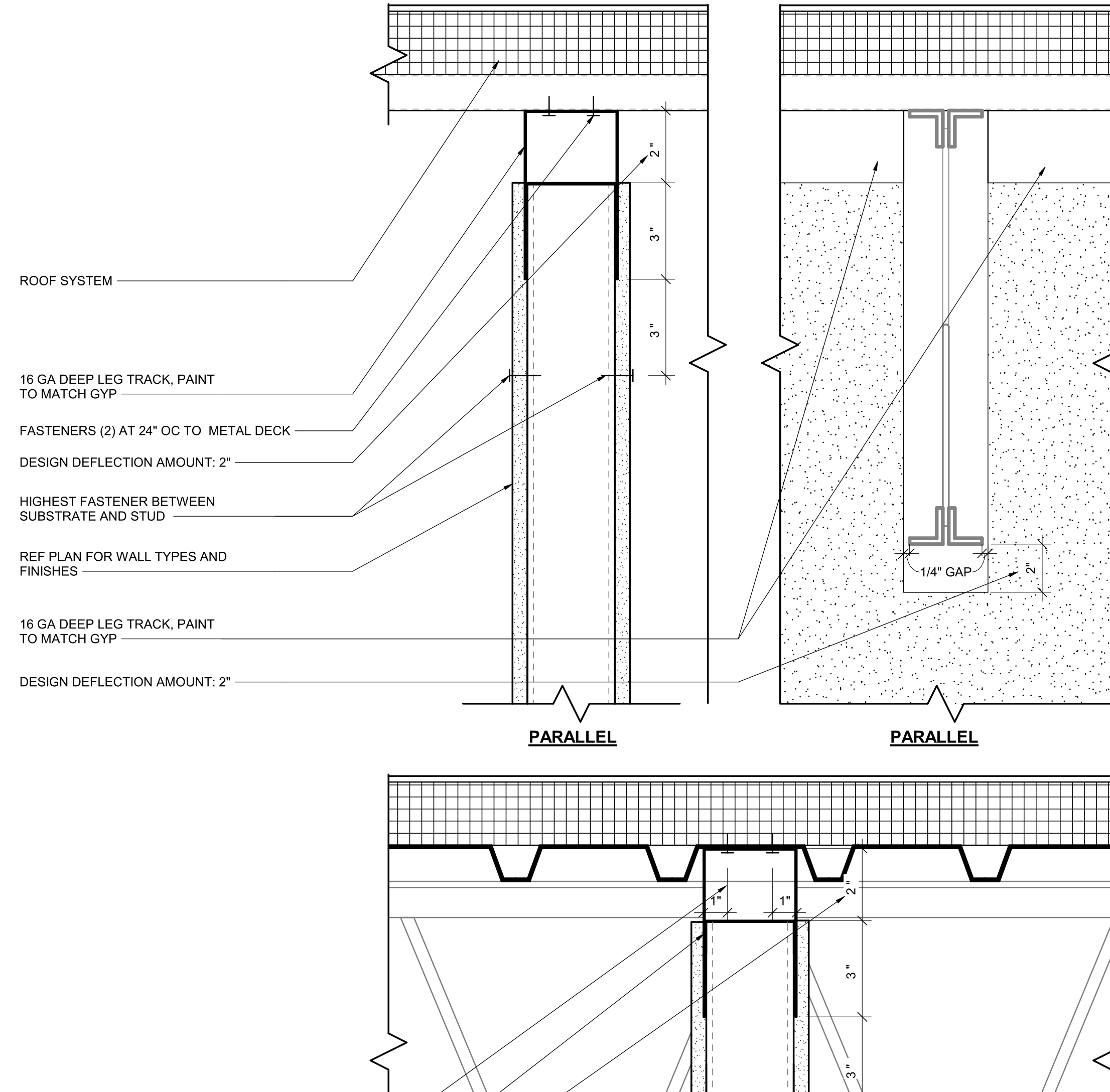
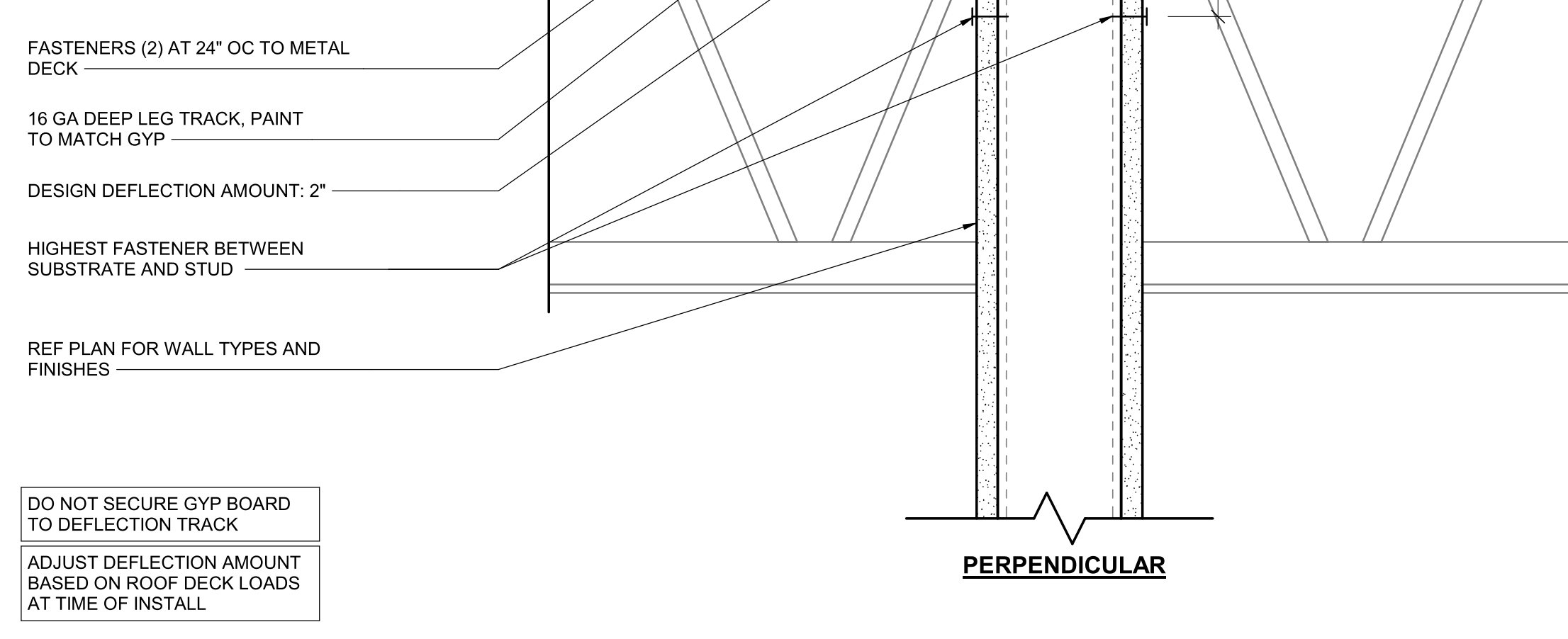
1/4" = 1'-0"

PLAN

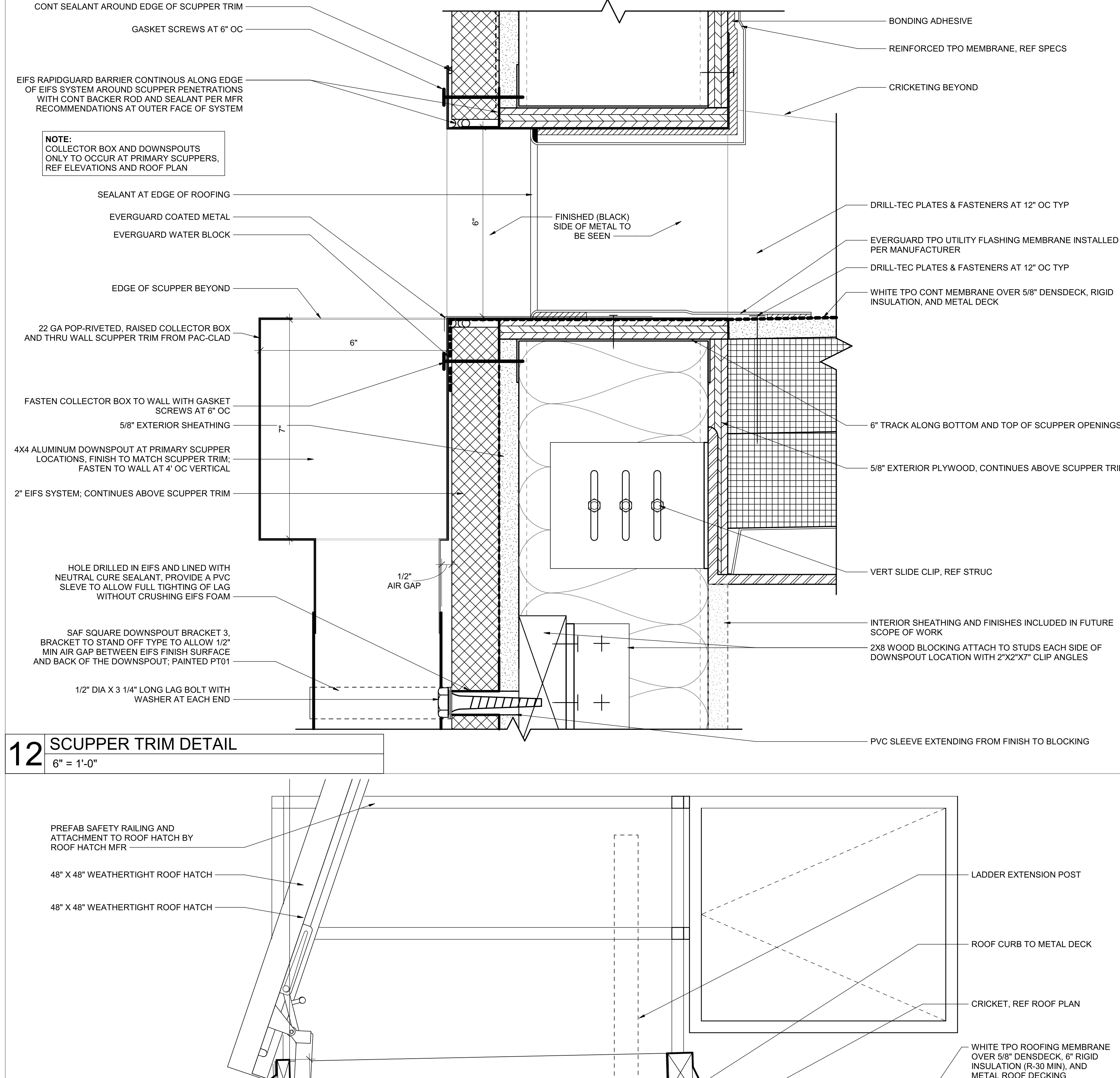
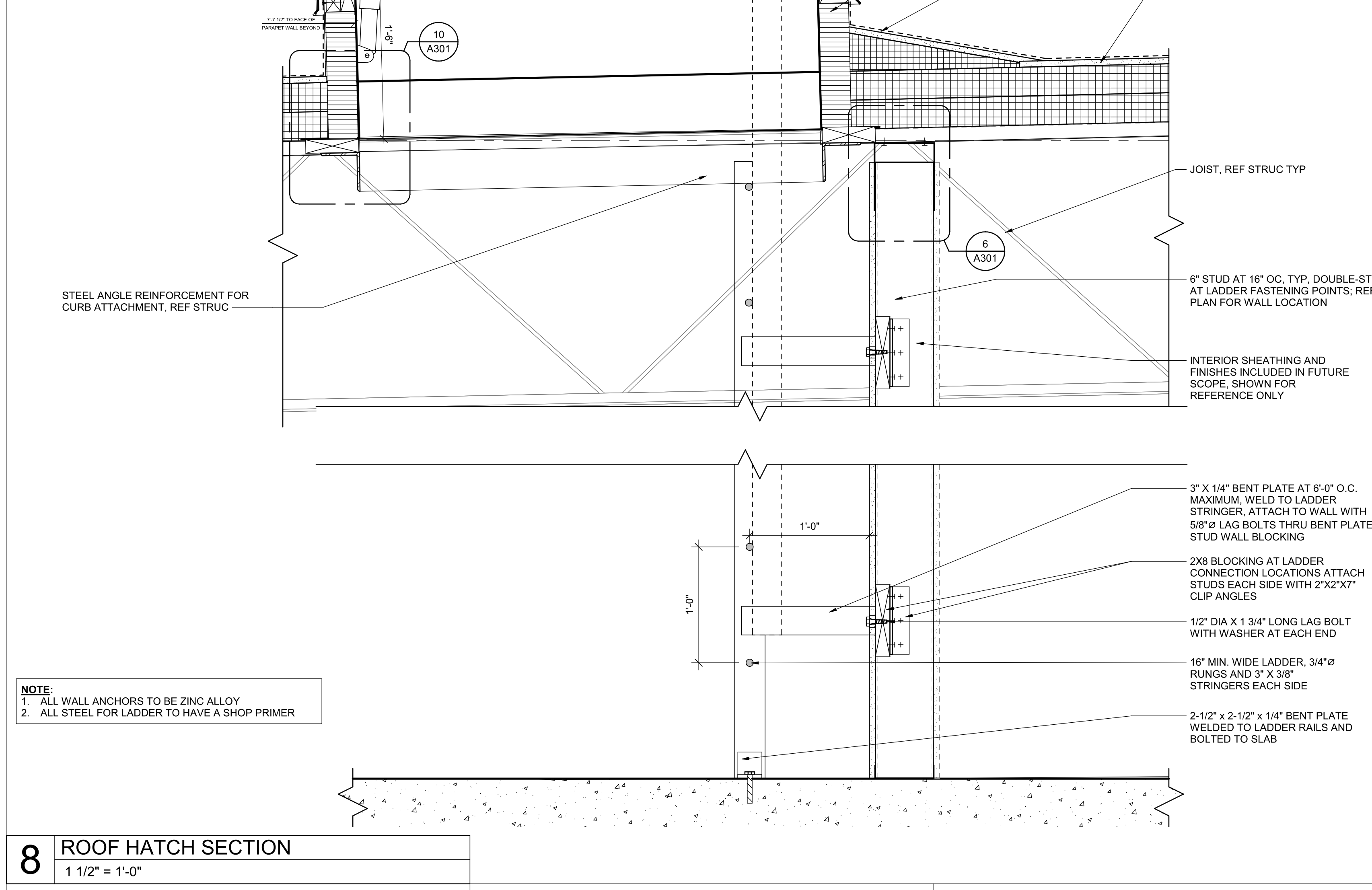
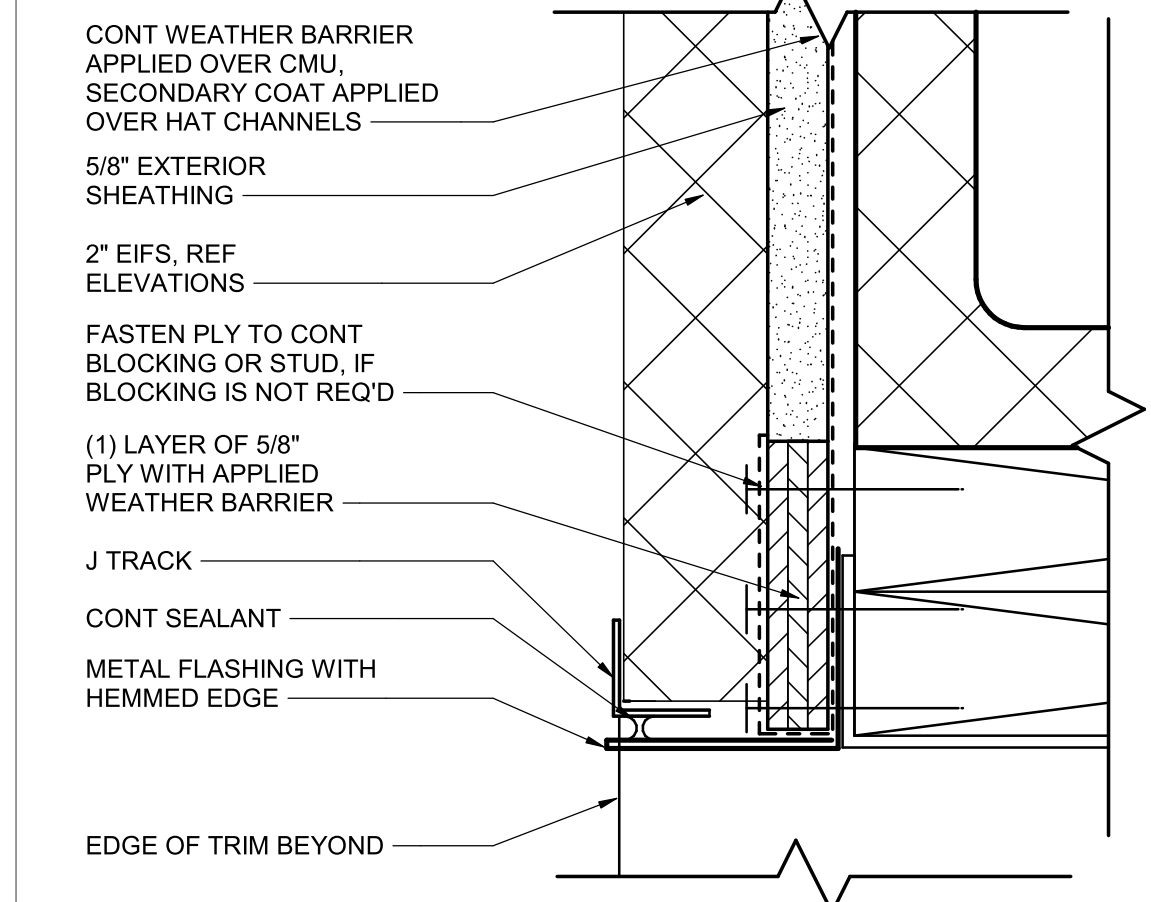
A300

5/12/2025 3:54:19 PM

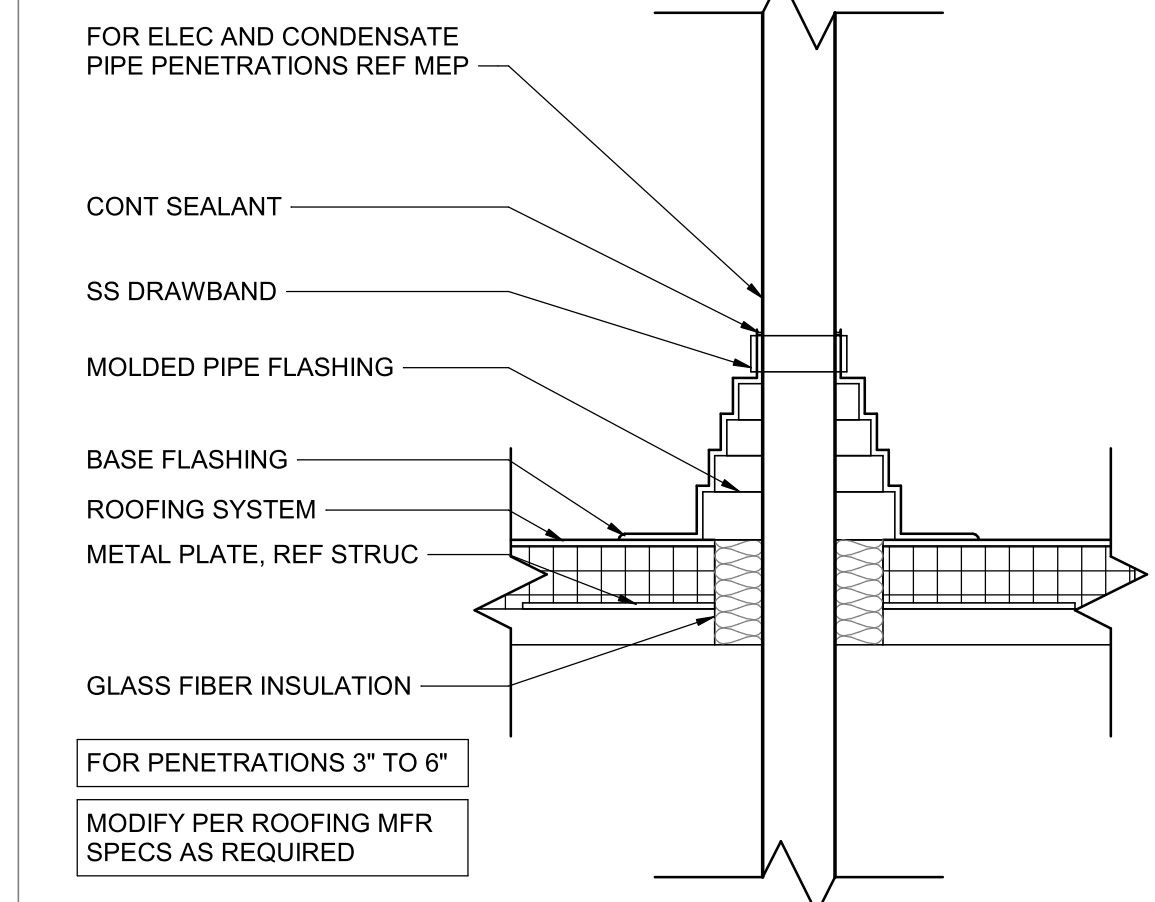
6 DEFLECTION TRACK
3" = 1'-0"



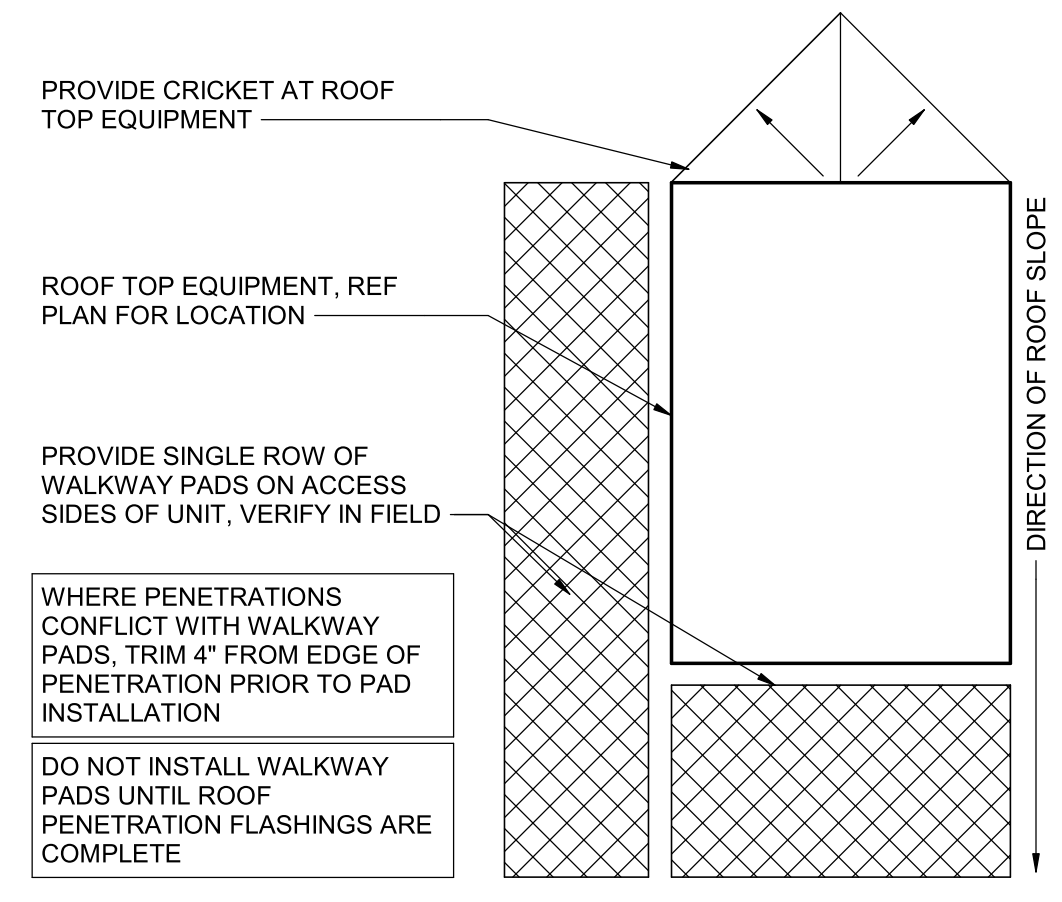
5 SCUPPER TRIM PLAN DETAIL
6" = 1'-0"



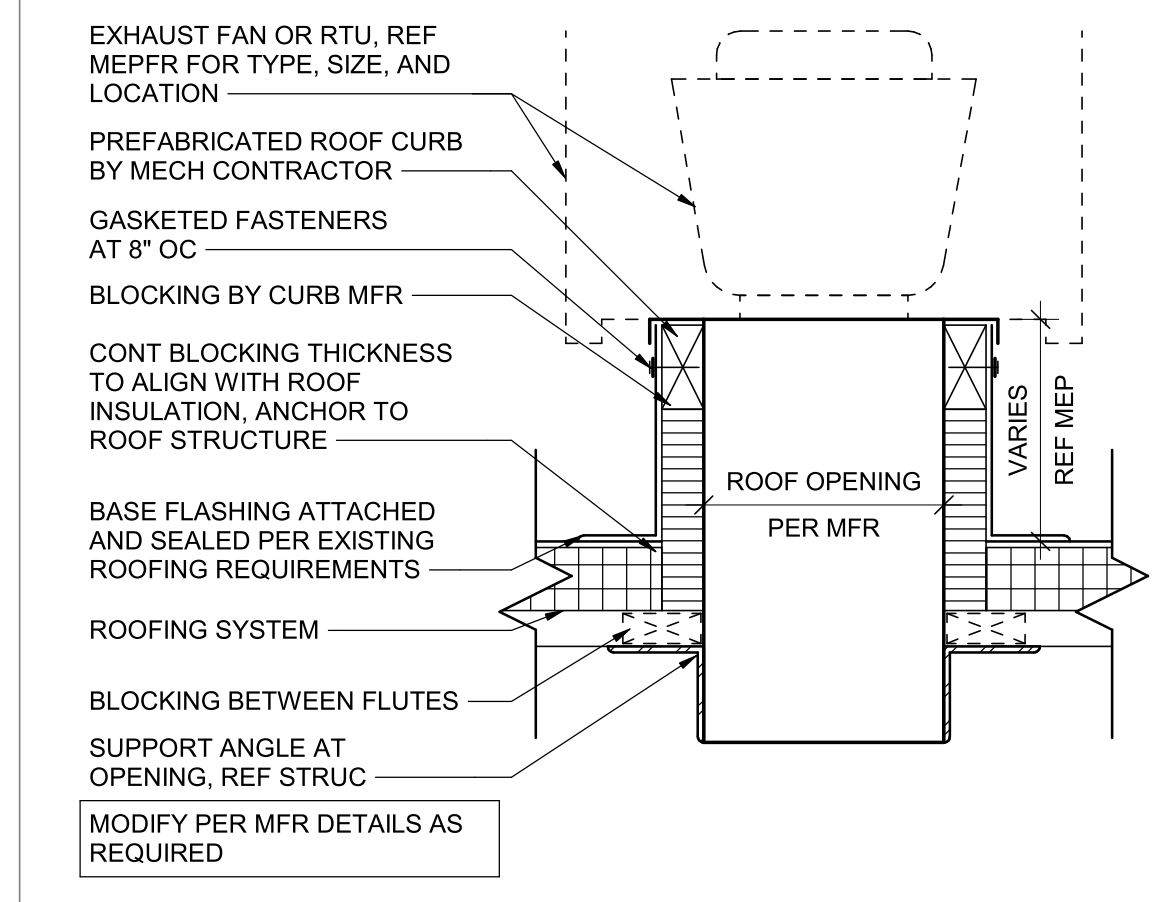
4 MOLDED FLASHING
1 1/2" = 1'-0"



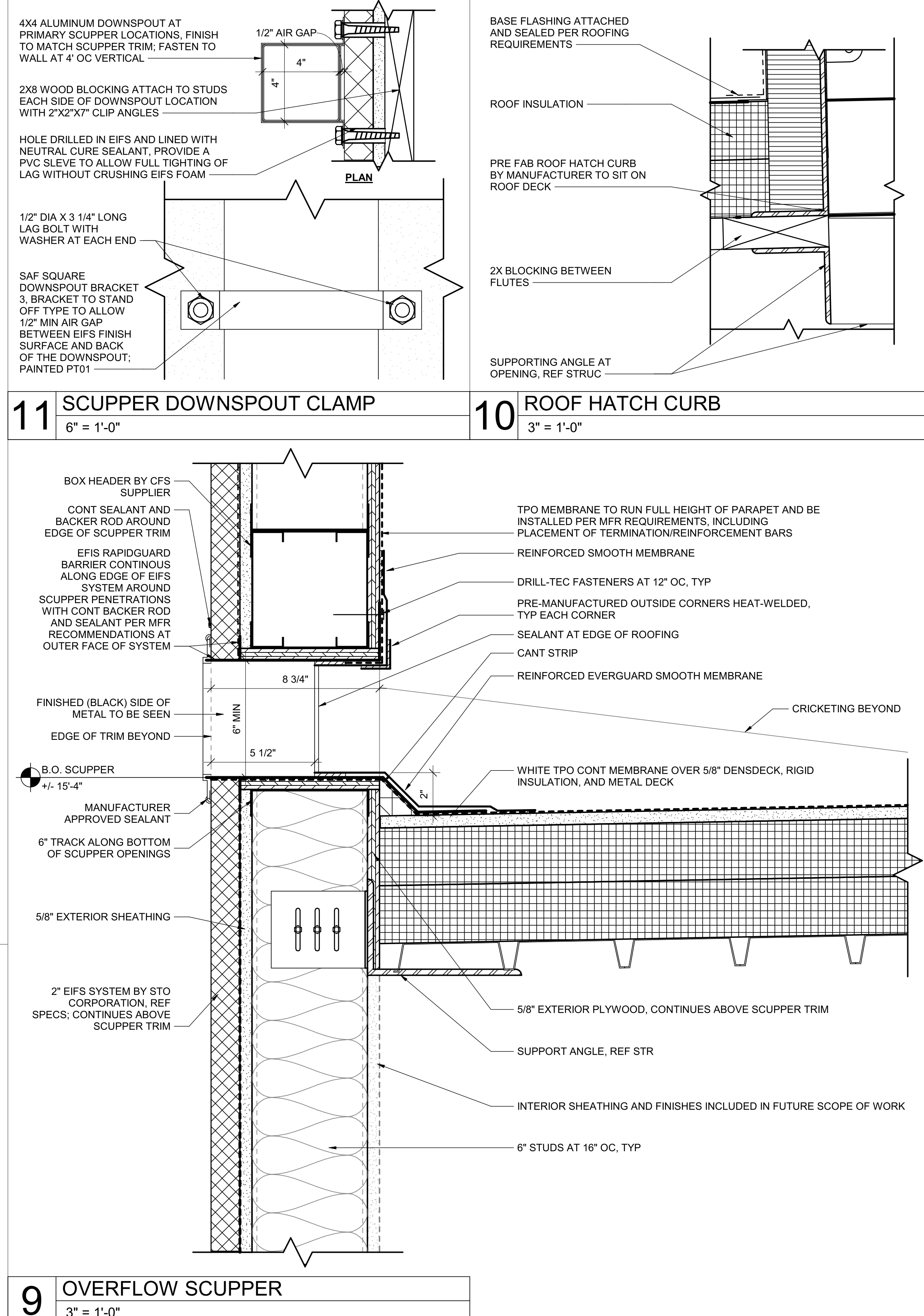
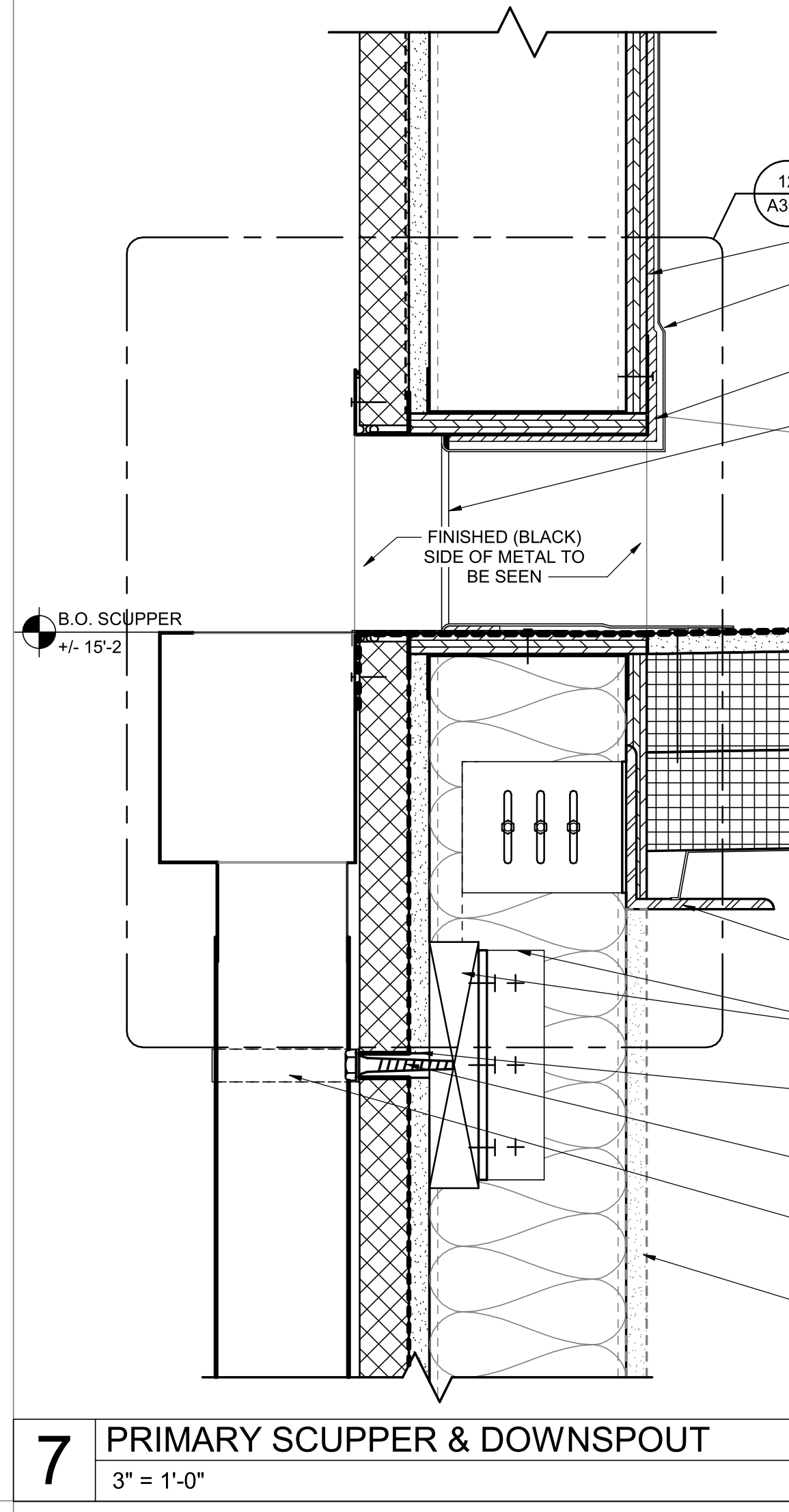
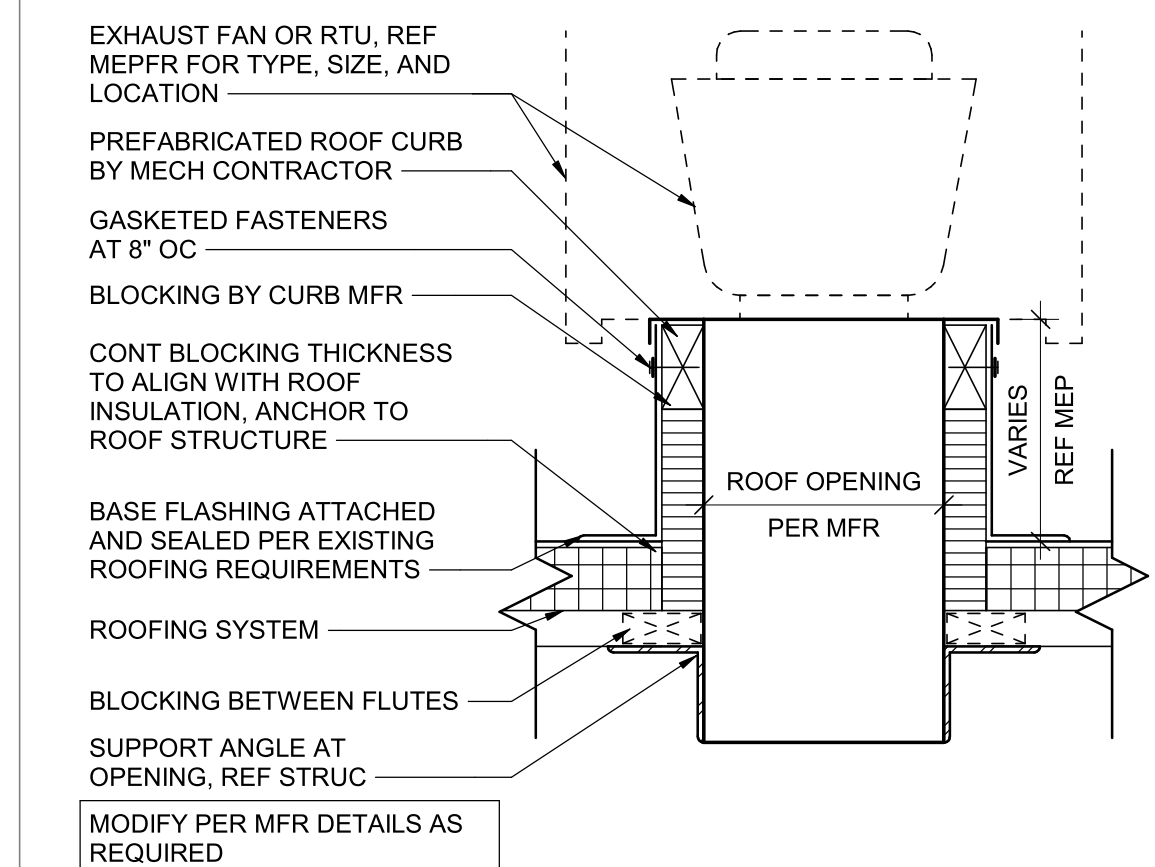
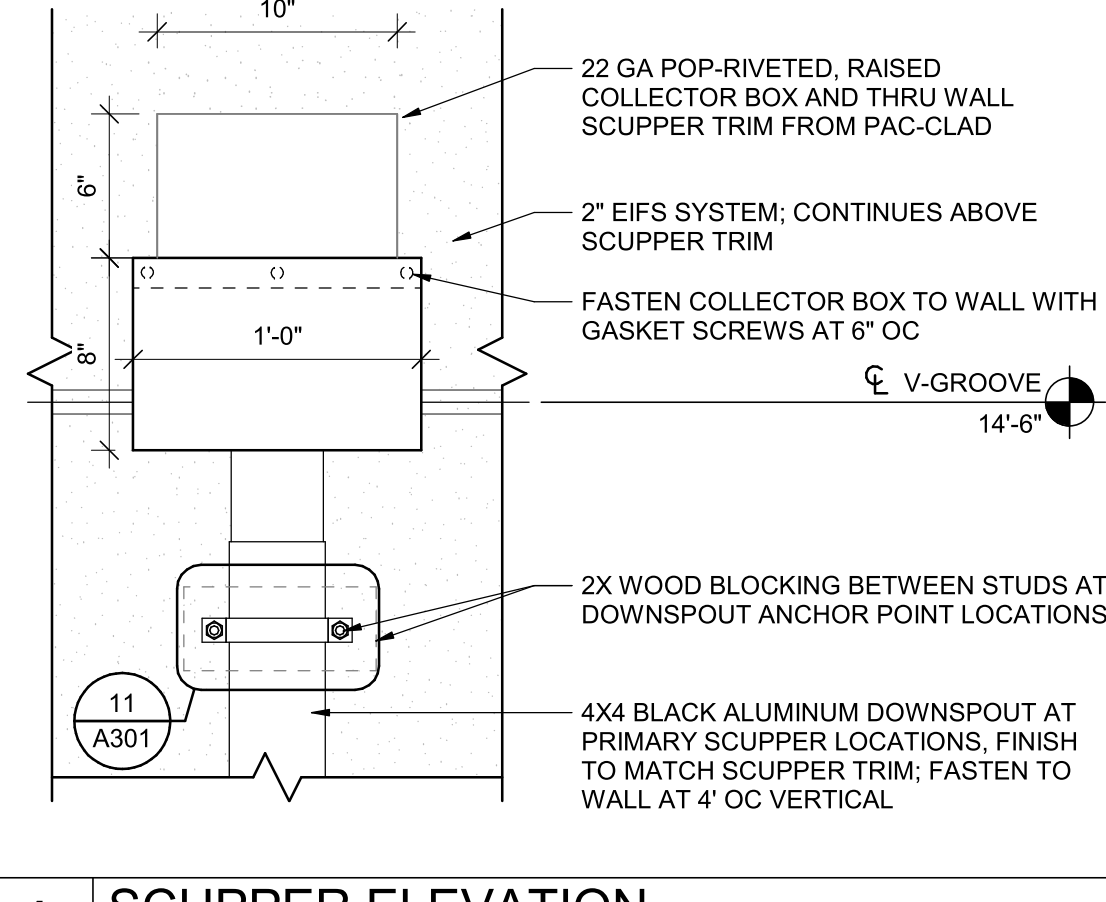
3 WALKWAY PADS AND CRICKETS
1 1/2" = 1'-0"



2 CURB
1 1/2" = 1'-0"



1 SCUPPER ELEVATION
1 1/2" = 1'-0"



ARCHITECT OF RECORD
brr BRR ARCHITECTURE INC.
1111 METCAL AVENUE
SUITE 200
OVERLAND PARK, KS 66214
WWW.BRRARCH.COM
TEL: 913.263.9666
FAX: 913.263.9444

CONSULTANT

CLIENT

PROJECT TITLE
Q39 (SHELL)
LEE'S SUMMIT, MO
OLDHAM VILLAGE

PROJECT NUMBER: 62500002
PROJECT MANAGER: TM
DRAWN BY: ND
CHECKED BY: [Signature]
PROFESSIONAL SEAL: [Seal]

5/1/2025

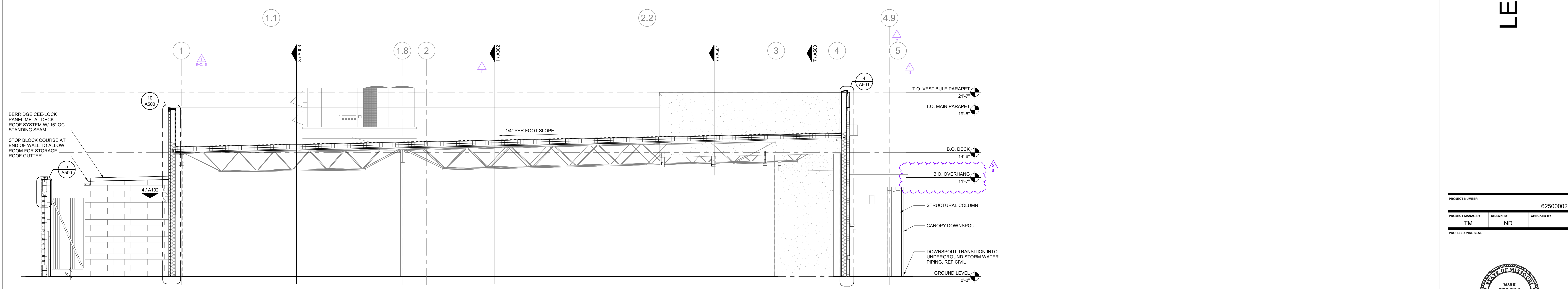
ISSUES AND REVISIONS

NUMBER	DATE	REVISION	DESCRIPTION

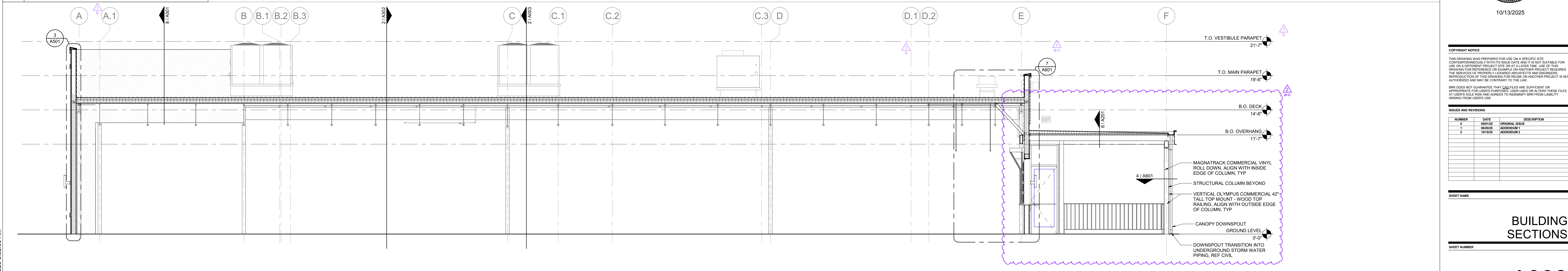
SHEET NAME: ROOF DETAILS
SHEET NUMBER: A301

888 ORIGINAL, PRINTED ON RECYCLED PAPER

Q39 (SHELL)
LEE'S SUMMIT, MO
 OLDHAM VILLAGE

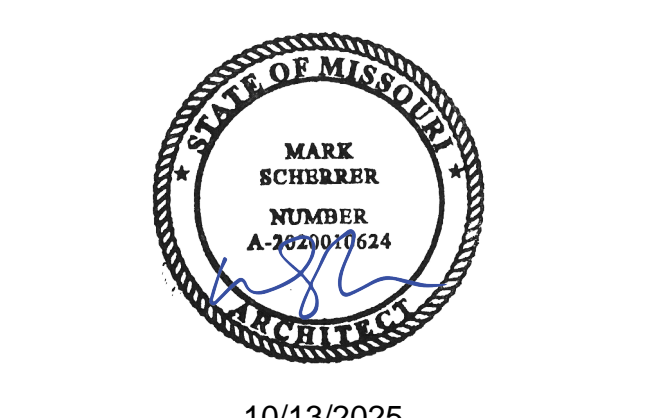


2 NORTH-SOUTH SECTION
 1/4" = 1'-0"



1 EAST-WEST SECTION
 1/4" = 1'-0"

PROJECT NUMBER: 02500002
 PROJECT MANAGER: TM
 DRAWN BY: ND
 CHECKED BY: [Signature]



COPYRIGHT NOTICE
 THIS DRAWING WAS PREPARED FOR USE ON A SPECIFIC SITE. IT IS THE PROPERTY OF BRR ARCHITECTURE INC. AND IS NOT TO BE REPRODUCED, COPIED, OR TRANSMITTED IN ANY FORM OR BY ANY MEANS, ELECTRONIC OR MECHANICAL, INCLUDING PHOTOCOPYING, RECORDING, OR BY ANY INFORMATION STORAGE AND RETRIEVAL SYSTEM, WITHOUT THE WRITTEN PERMISSION OF BRR ARCHITECTURE INC. THE SERVICES OF ARCHITECTS, ENGINEERS, AND OTHER PROFESSIONALS ARE REQUIRED FOR THE PROPER USE OF THIS DRAWING FOR ANY OTHER PROJECT. BRR ARCHITECTURE INC. IS NOT RESPONSIBLE FOR ANY SUCH USE.

ISSUES AND REVISIONS

NUMBER	DATE	REVISION	DESCRIPTION
1	10/13/2025	ISSUES	ISSUES
2	10/13/2025	REVISIONS	REVISIONS
3	10/13/2025	ADDITIONS	ADDITIONS

BUILDING SECTIONS

A302

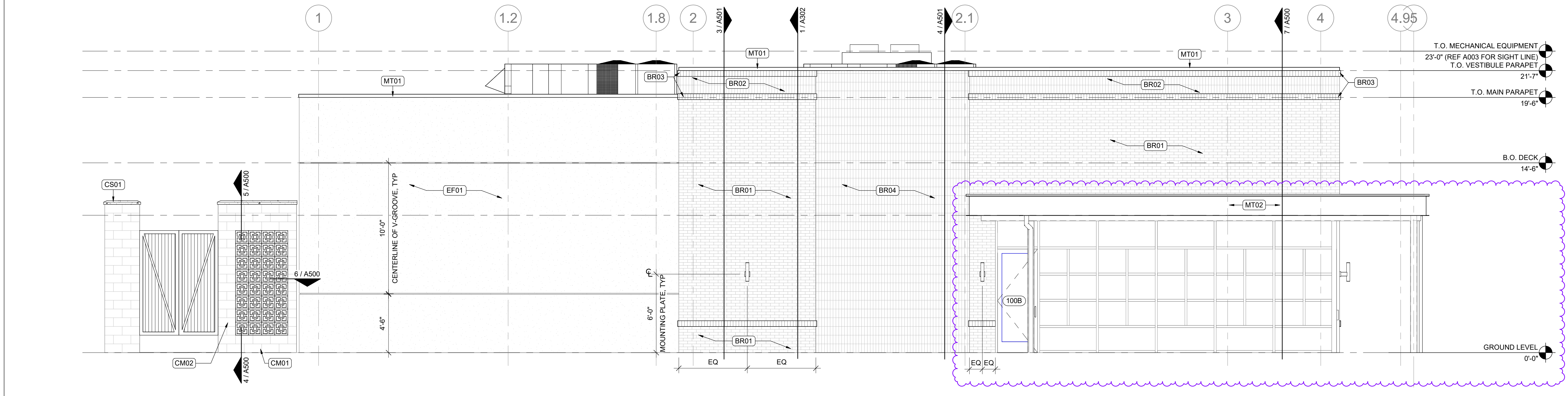
10/13/2025 8:32:08 AM

SHEET NOTES

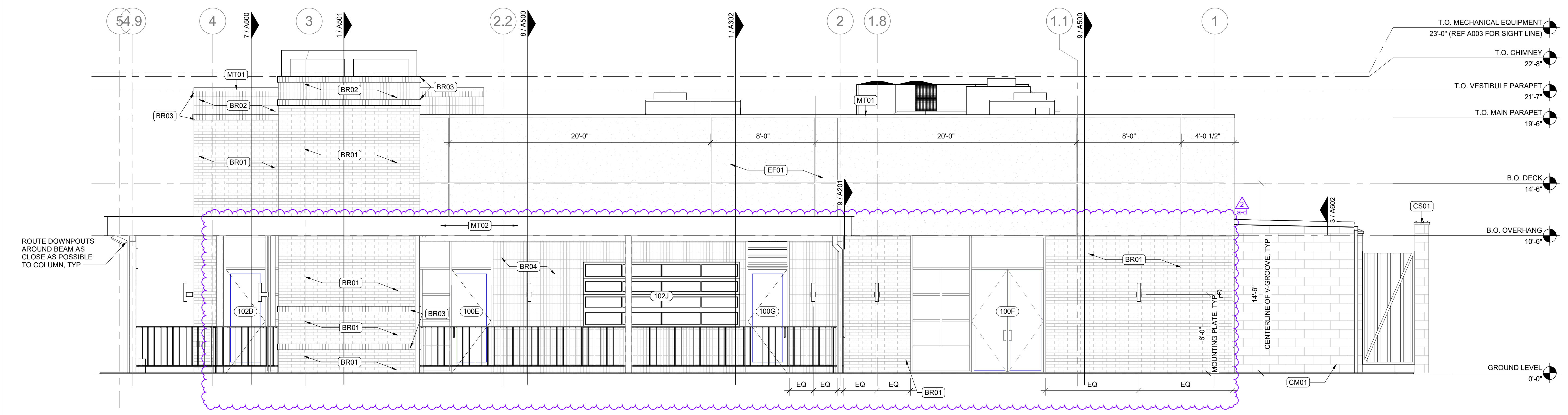
- REFERENCE PARTITION DETAILS FOR TRANSITIONS BETWEEN SUBSTRATES.
- PROVIDE CONTROL JOINTS IN GYPSUM BOARD FRAMED ASSEMBLIES AT 30' OC MAX, OR AS INDICATED ON PLAN.
- WOOD HATCH DIRECTION INDICATES PLANK AND GRAIN DIRECTION. COORDINATE WITH FINISH SCHEDULE.
- TILE HATCH INDICATES GROUT PATTERN. COORDINATE WITH FINISH SCHEDULE.
- EQUIPMENT SHOWN DASHED FOR CLARITY.
- JOINT SEALANT COLOR TO MATCH ADJACENT FINISHED SURFACES.

FINISH SCHEDULE

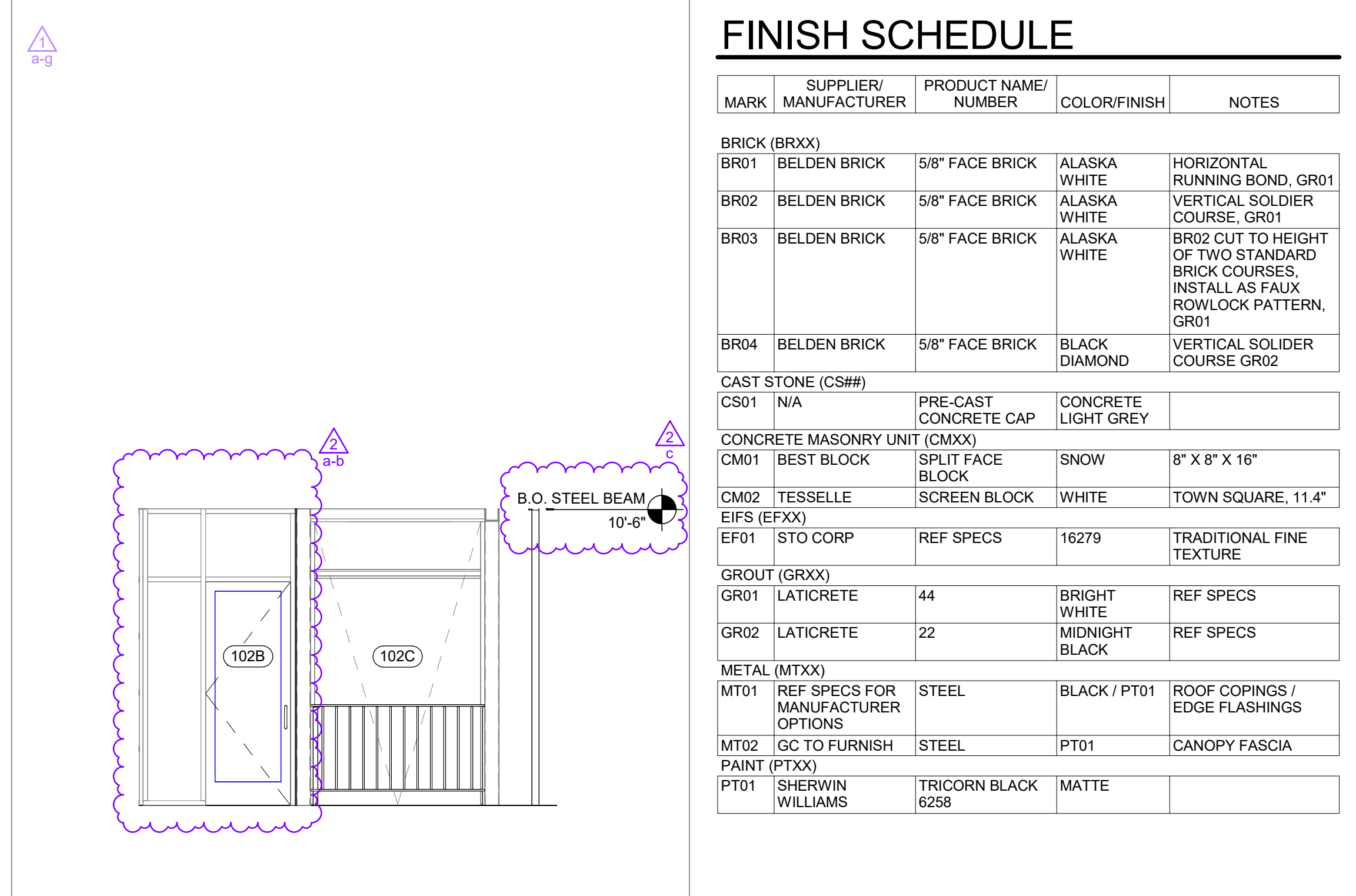
MARK	SUPPLIER/ MANUFACTURER	PRODUCT NAME/ NUMBER	COLOR/FINISH	NOTES
BR01	BELDEN BRICK	5/8" FACE BRICK	ALASKA WHITE	HORIZONTAL RUNNING BOND, GR01
BR02	BELDEN BRICK	5/8" FACE BRICK	ALASKA WHITE	VERTICAL SOLDIER COURSE, GR01
BR03	BELDEN BRICK	5/8" FACE BRICK	ALASKA WHITE	BRICK CUT TO HEIGHT OF TWO STANDARD BRICK COURSES. INSTALL AS FAUX ROWLOCK PATTERN, GR01
BR04	BELDEN BRICK	5/8" FACE BRICK	BLACK DIAMOND	VERTICAL SOLDIER COURSE GR02
CS01	N/A	PRE-CAST CONCRETE CAP	CONCRETE LIGHT GREY	
CM01	BEST BLOCK	SPLIT FACE BLOCK	SNOW	8" X 8" X 16"
CM02	TESSELLE	SCREEN BLOCK	WHITE	TOWN SQUARE, 11.4"
EF01	STO CORP	REF SPECS	16279	TRADITIONAL FINE TEXTURE
GR01	LATICRETE	44	BRIGHT WHITE	REF SPECS
GR02	LATICRETE	22	MIDNIGHT BLACK	REF SPECS
MT01	REF SPECS FOR MANUFACTURER OPTIONS	STEEL	BLACK / PT01	ROOF COPINGS / EDGE FLASHINGS
MT02	GC TO FURNISH	STEEL	PT01	CANOPY FASCIA
PT01	SHERWIN WILLIAMS	TRICORN BLACK 6258	MATTE	



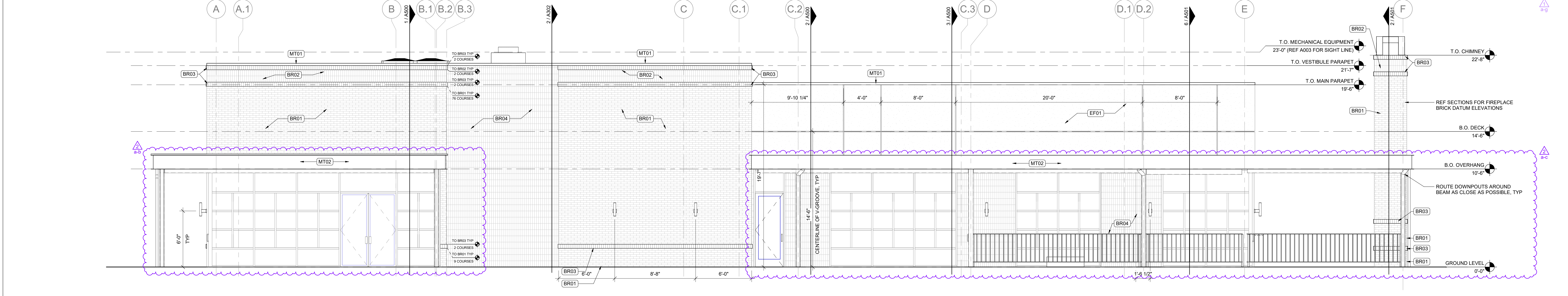
4 WEST ELEVATION
 1/4" = 1'-0"



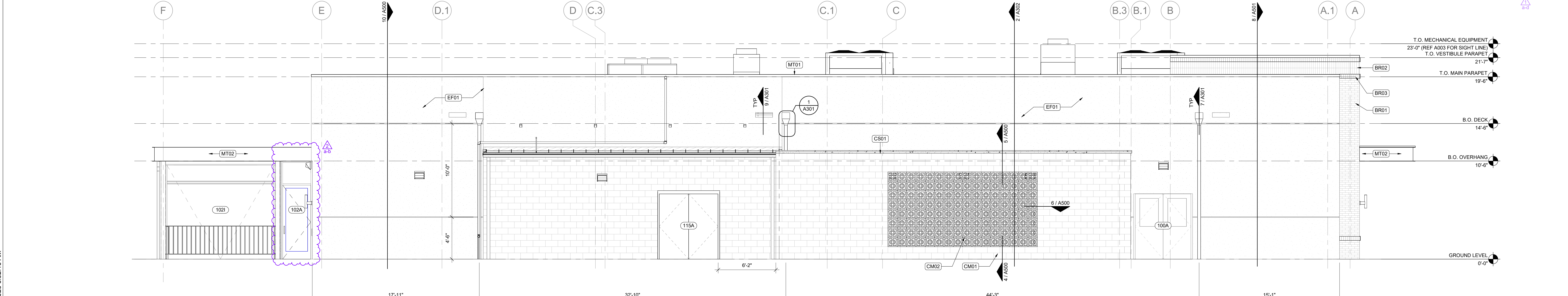
3 EAST ELEVATION
 1/4" = 1'-0"



5 PATIO EGRESS DOOR
 1/4" = 1'-0"



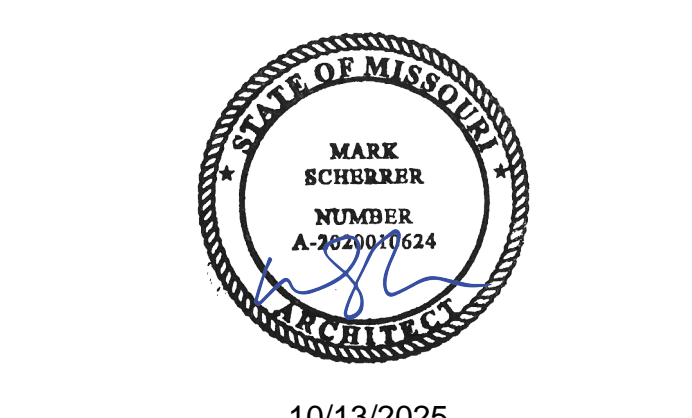
2 SOUTH ELEVATION
 1/4" = 1'-0"



1 NORTH ELEVATION
 1/4" = 1'-0"

Q39 (SHELL)
LEE'S SUMMIT, MO
 OLDHAM VILLAGE

PROJECT NUMBER: 62500002
 PROJECT MANAGER: TM
 DRAWN BY: ND
 CHECKED BY: [Signature]
 PROFESSIONAL SEAL: [Signature]



10/13/2025

COPYRIGHT NOTICE
 THIS DRAWING WAS PREPARED FOR USE ON A SPECIFIC SITE. IT IS THE PROPERTY OF BRR ARCHITECTURE INC. AND IS NOT TO BE REPRODUCED OR TRANSMITTED IN ANY FORM OR BY ANY MEANS, ELECTRONIC OR MECHANICAL, INCLUDING PHOTOCOPYING, RECORDING, OR BY ANY INFORMATION STORAGE AND RETRIEVAL SYSTEM, WITHOUT THE WRITTEN PERMISSION OF BRR ARCHITECTURE INC. ANY UNAUTHORIZED REPRODUCTION OR TRANSMISSION IS STRICTLY PROHIBITED AND MAY BE CONSIDERED A VIOLATION OF THE LAW.

ISSUES AND REVISIONS

NUMBER	DATE	DESCRIPTION
1	10/13/25	ISSUE
2	10/13/25	REVISION
3	10/13/25	REVISION

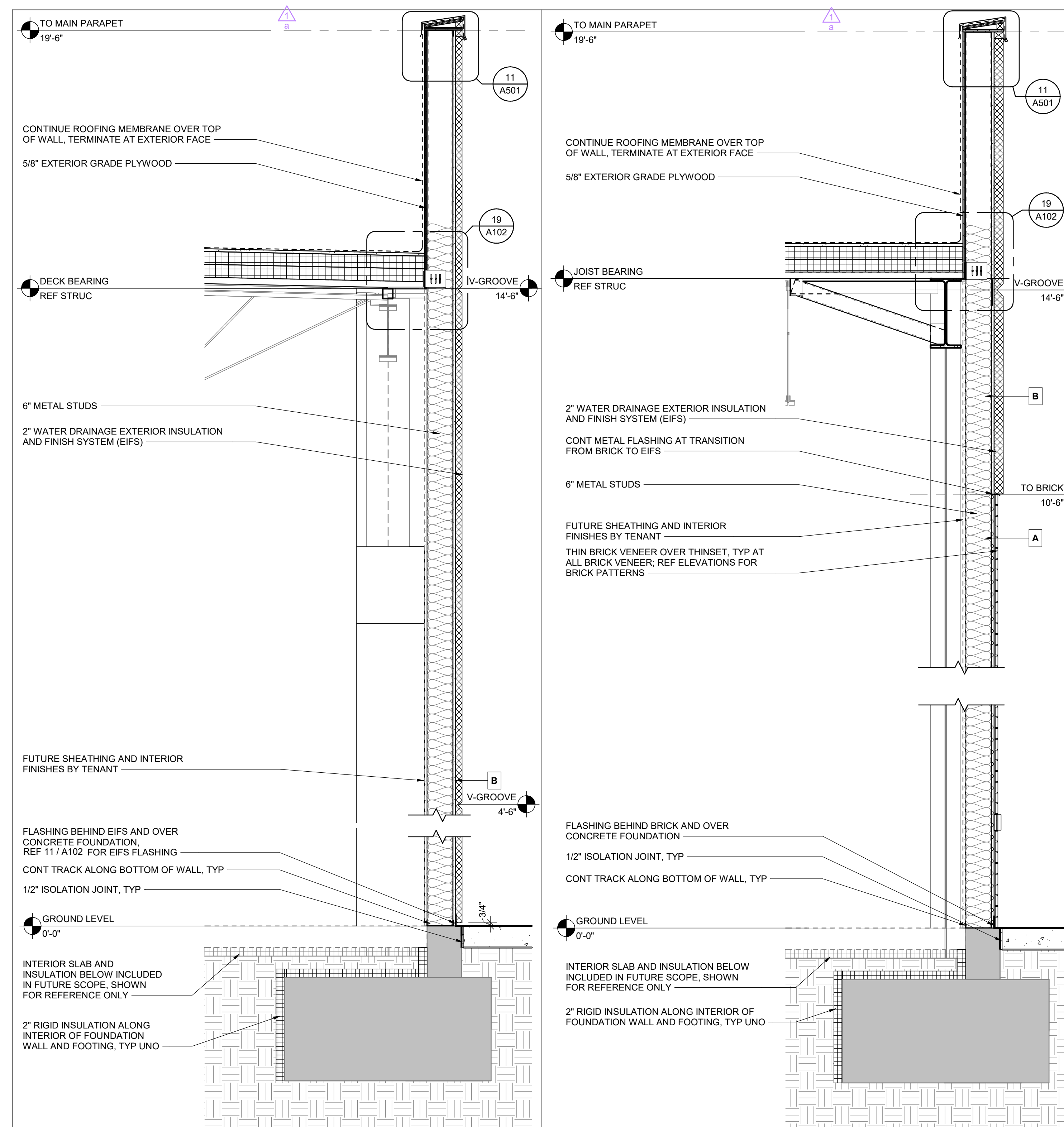
SHEET NAME

EXTERIOR ELEVATIONS

SHEET NUMBER

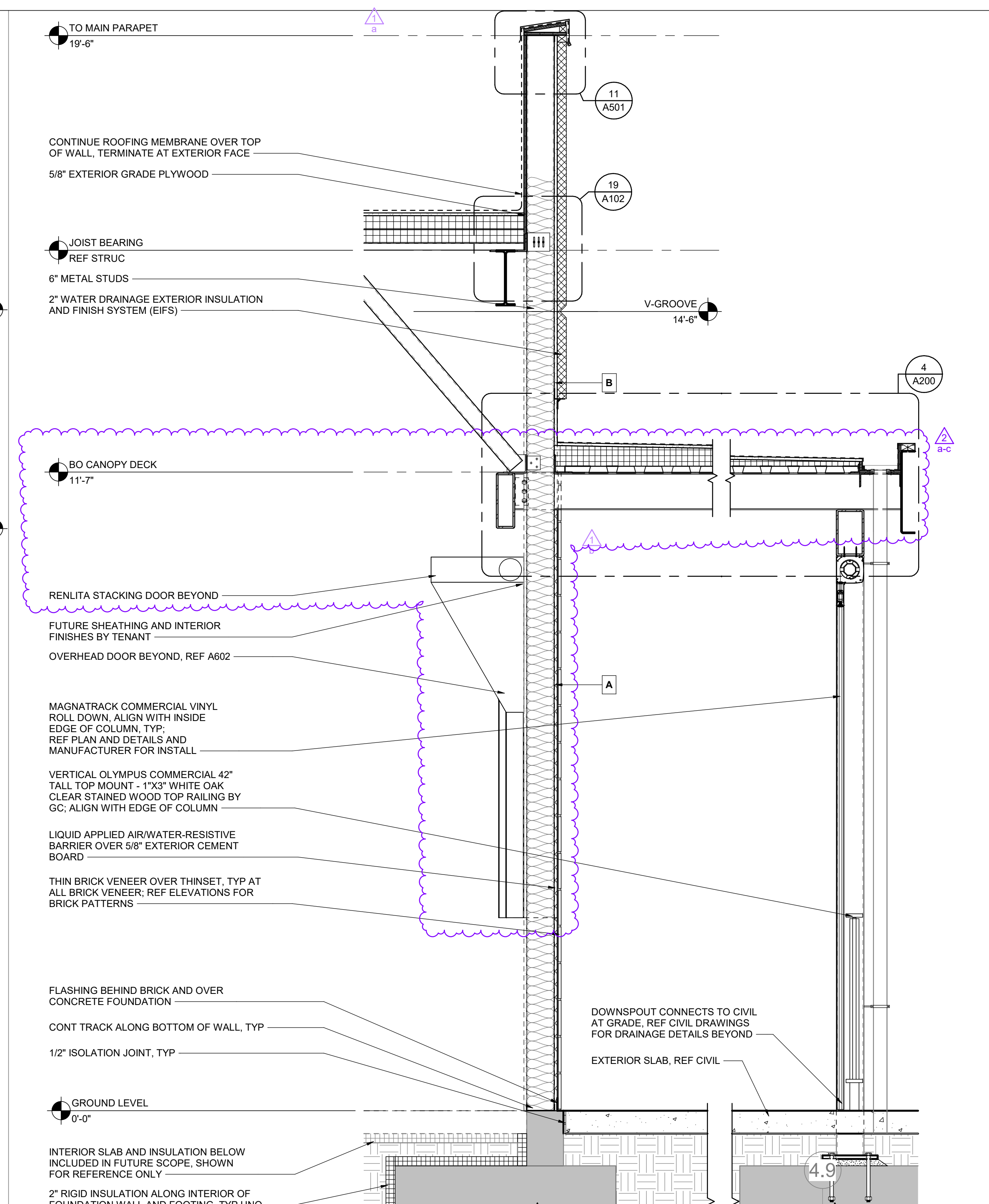
A400

10/13/2025 8:32:16 AM

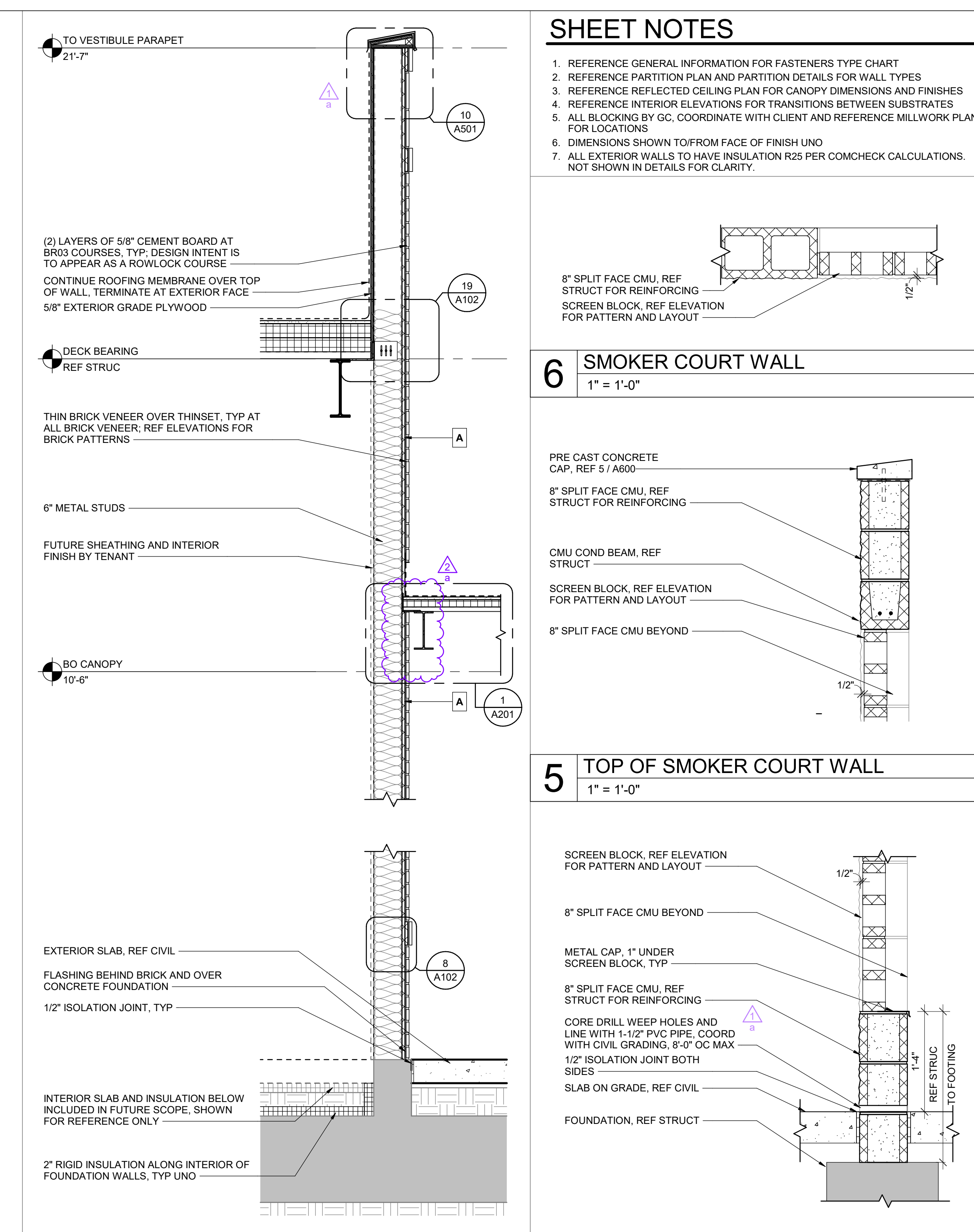


10 EIFS
3/4" = 1'-0"

9 WHITE BRICK/EIFS
3/4" = 1'-0"

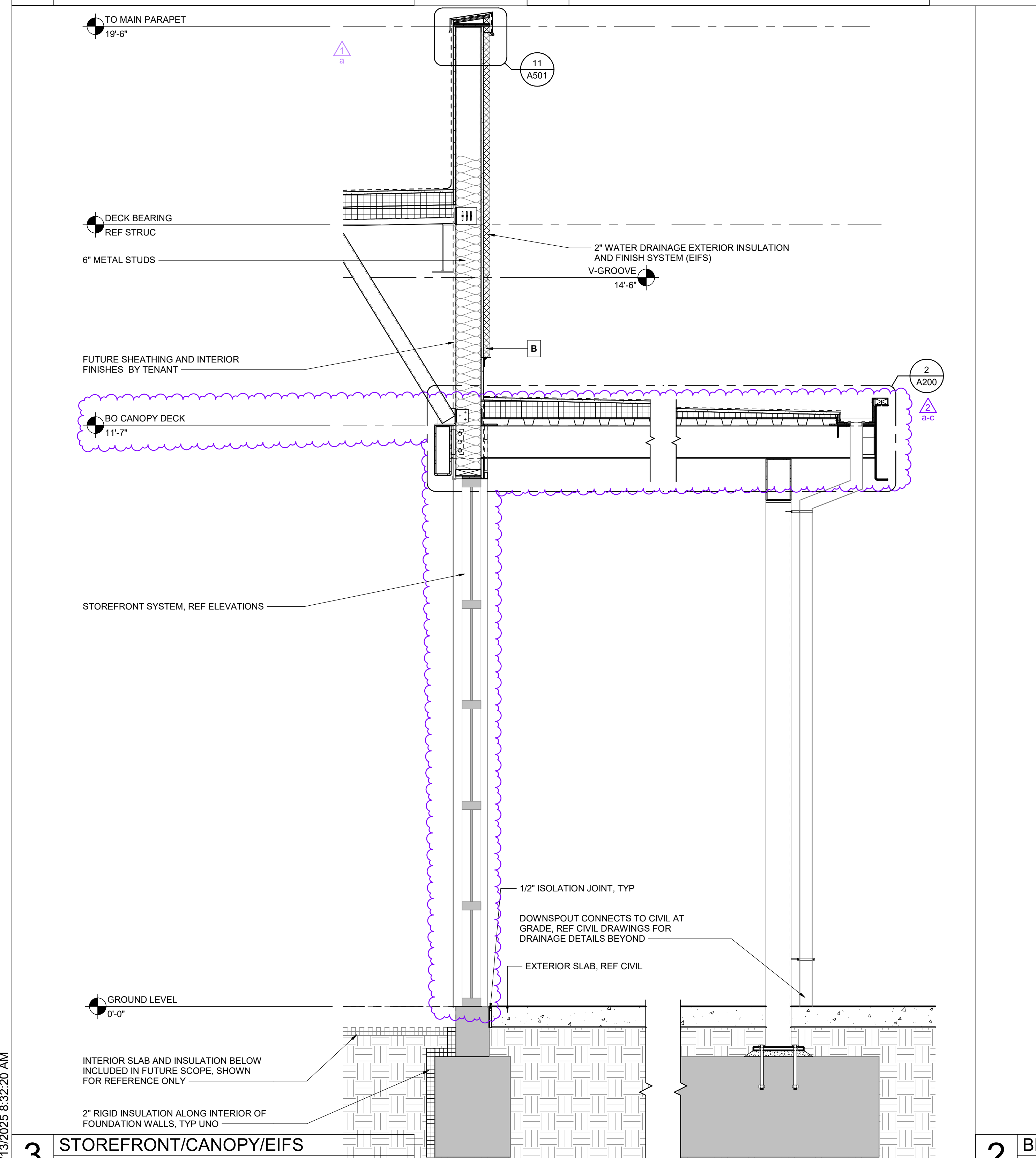


8 BLACK BRICK/CANOPY/EIFS
3/4" = 1'-0"



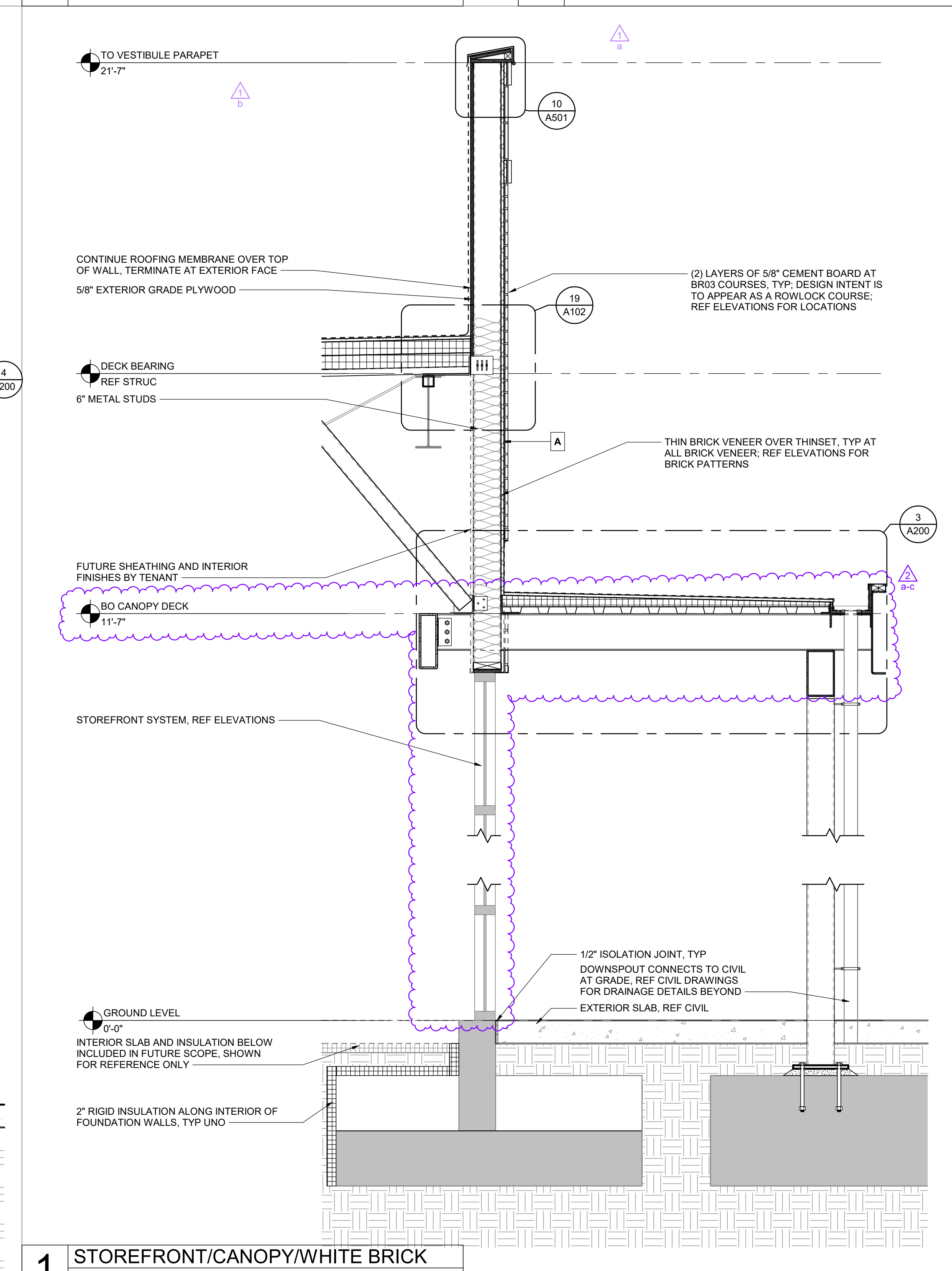
7 WHITE BRICK/CANOPY/WHITE BRICK
3/4" = 1'-0"

4 BASE OF SMOKER COURT WALL
1" = 1'-0"



3 STOREFRONT/CANOPY/EIFS
3/4" = 1'-0"

2 BLACK BRICK AT CANOPY
3/4" = 1'-0"

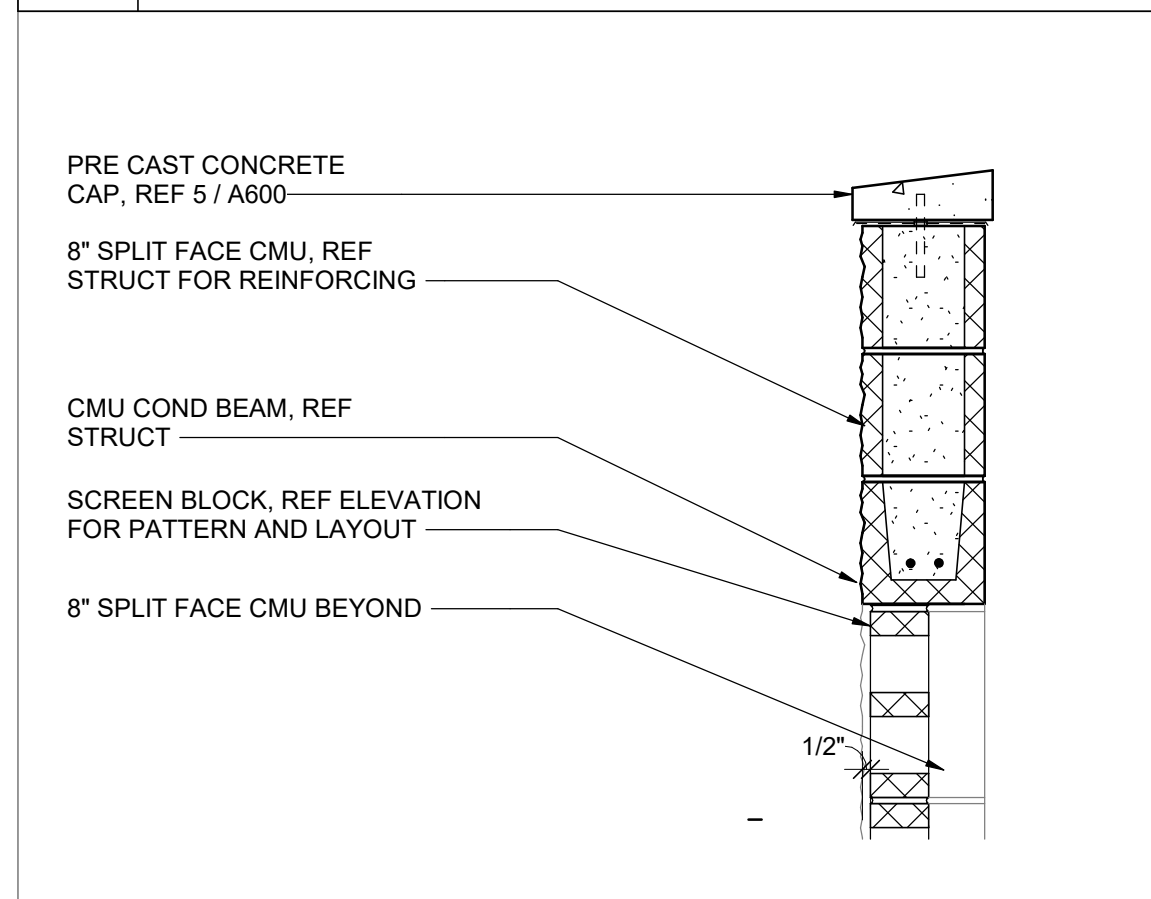


1 STOREFRONT/CANOPY/WHITE BRICK
3/4" = 1'-0"

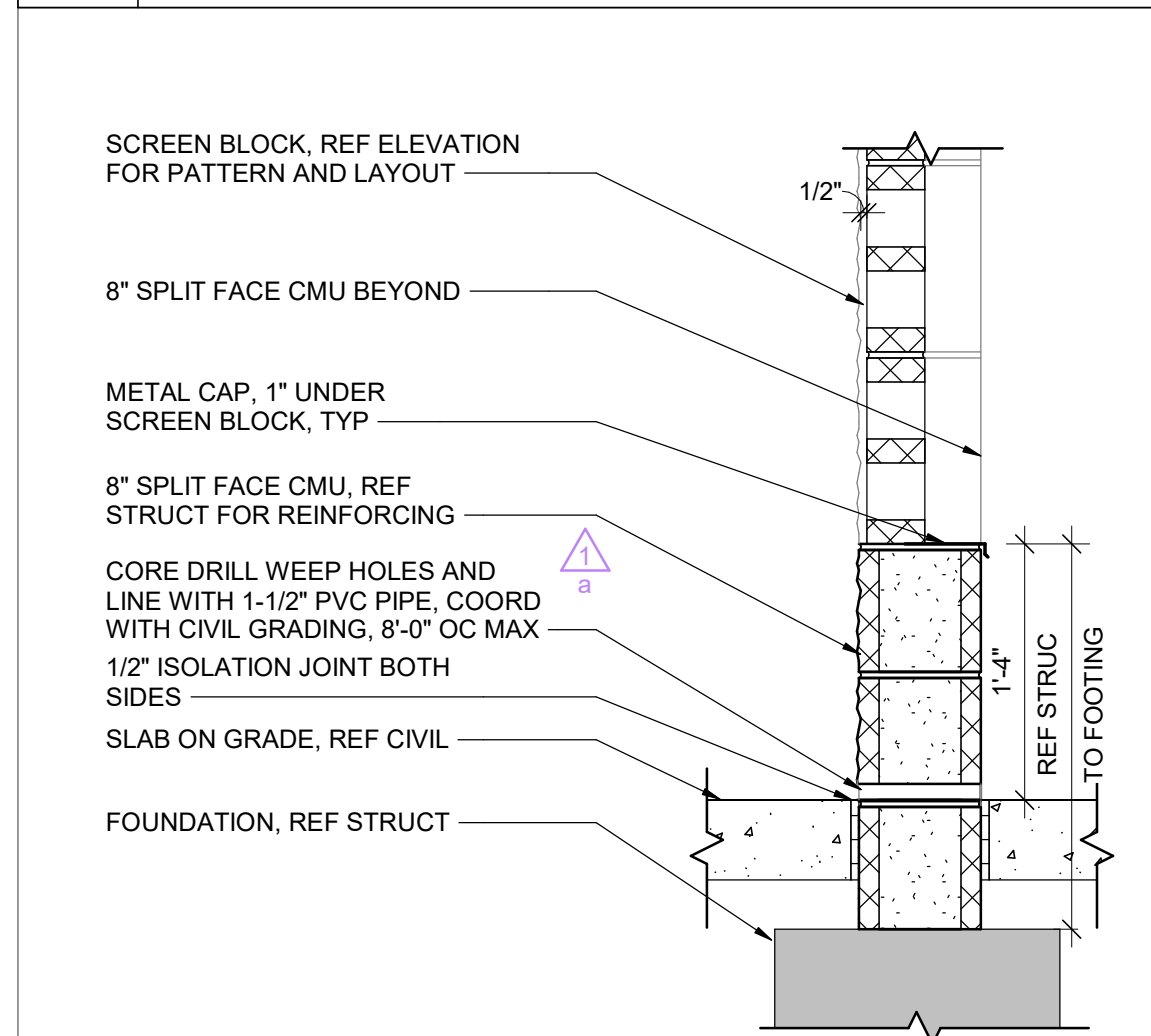
SHEET NOTES

1. REFERENCE GENERAL INFORMATION FOR FASTENERS TYPE CHART
2. REFERENCE PARTITION PLAN AND PARTITION DETAILS FOR WALL TYPES
3. REFERENCE REFLECTED CEILING PLAN FOR CANOPY DIMENSIONS AND FINISHES
4. REFERENCE INTERIOR ELEVATIONS FOR TRANSITIONS BETWEEN SUBSTRATES
5. ALL BLOCKING BY GC, COORDINATE WITH CLIENT AND REFERENCE MILLWORK PLAN FOR LOCATIONS
6. DIMENSIONS SHOWN TYPICAL FROM FACE OF FINISH UNO
7. ALL EXTERIOR WALLS TO HAVE INSULATION R25 PER COMCHECK CALCULATIONS, NOT SHOWN IN DETAILS FOR CLARITY.

6 SMOKER COURT WALL
1" = 1'-0"



5 TOP OF SMOKER COURT WALL
1" = 1'-0"

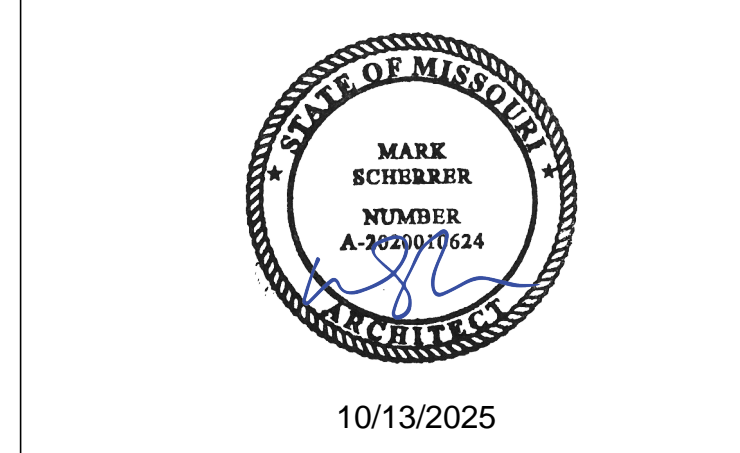


ARCHITECT OF RECORD
brr
BRR ARCHITECTURE INC.
1511 METCAL AVENUE
SUITE 200
OVERLAND PARK, KS 66204
WWW.BRRARCH.COM
TEL: 913.263.9666
FAX: 913.263.9444

CONSULTANT
CLIENT
PROJECT TITLE

Q39 (SHELL)
LEE'S SUMMIT, MO
OLDHAM VILLAGE

PROJECT NUMBER: 62500002
PROJECT MANAGER: TM
DRAWN BY: ND
CHECKED BY: [Signature]
PROFESSIONAL SEAL: [Signature]



10/13/2025

COPYRIGHT NOTICE
THIS DRAWING WAS PREPARED FOR USE ON A SPECIFIC SITE. IT IS THE PROPERTY OF BRR ARCHITECTURE INC. AND IS NOT TO BE REPRODUCED OR TRANSMITTED IN ANY FORM OR BY ANY MEANS, ELECTRONIC OR MECHANICAL, INCLUDING PHOTOCOPYING, RECORDING, OR BY ANY INFORMATION STORAGE AND RETRIEVAL SYSTEM, WITHOUT THE WRITTEN PERMISSION OF BRR ARCHITECTURE INC. THE SERVICES OF BRR ARCHITECTURE INC. ARE LIMITED TO ARCHITECTURAL AND ENGINEERING SERVICES ONLY. BRR ARCHITECTURE INC. DOES NOT GUARANTEE THAT THIS DRAWING OR ANY OTHER PRODUCT IS NOT AUTHORIZED AND MAY BE CONTRARY TO THE LAW.
BRR DOES NOT GUARANTEE THAT THIS DRAWING OR ANY OTHER PRODUCT IS APPROPRIATE FOR USER'S PURPOSES. USER USES OR ALTERS THESE FILES AT USER'S SOLE RISK AND AGREES TO ACCEPT ALL LIABILITY ARISING FROM USER'S USE.

ISSUES AND REVISIONS

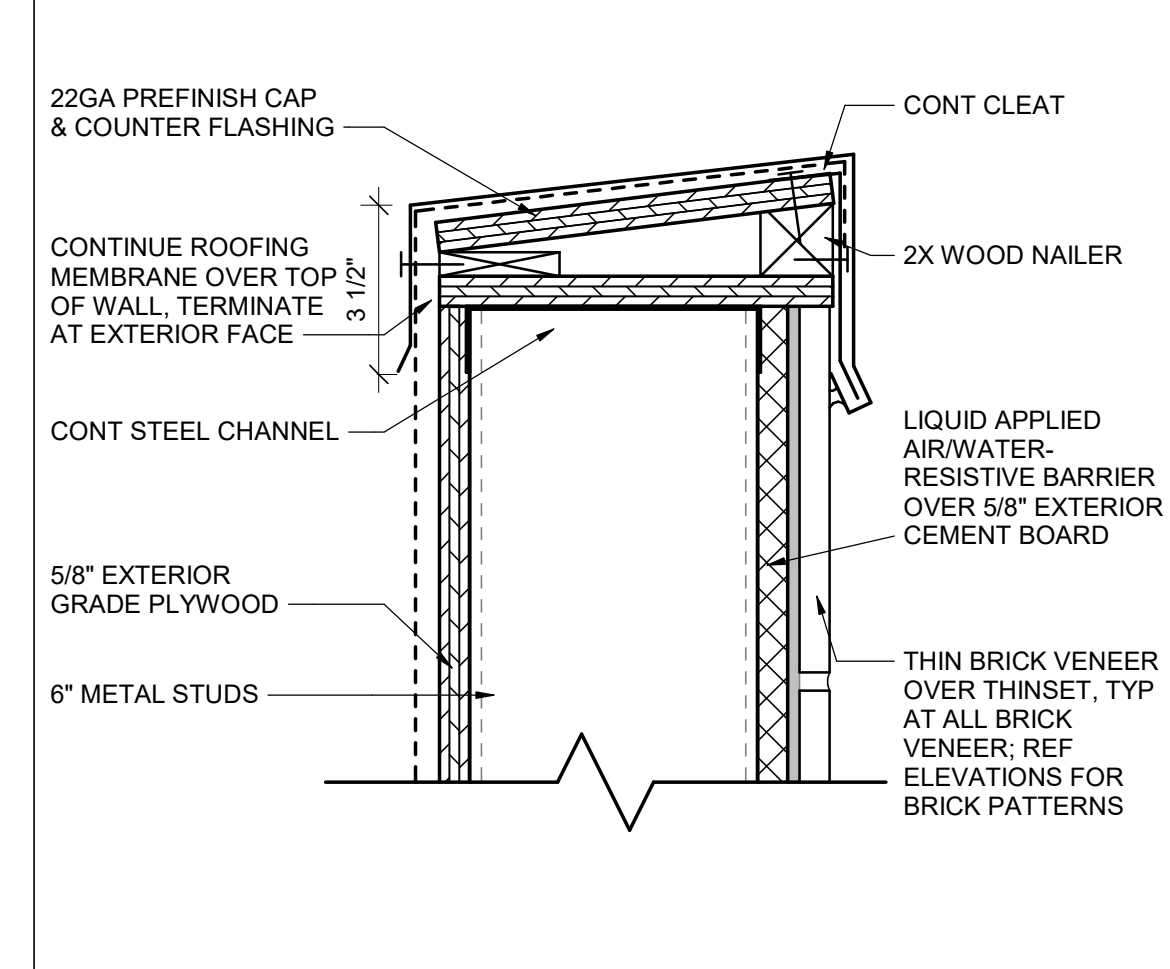
NUMBER	DATE	REVISION	DESCRIPTION
1	10/13/2025	ISSUES	ORIGINAL ISSUE
2	10/13/2025	ISSUES	ADDITIONAL 1
3	10/13/2025	ISSUES	ADDITIONAL 2

WALL SECTIONS

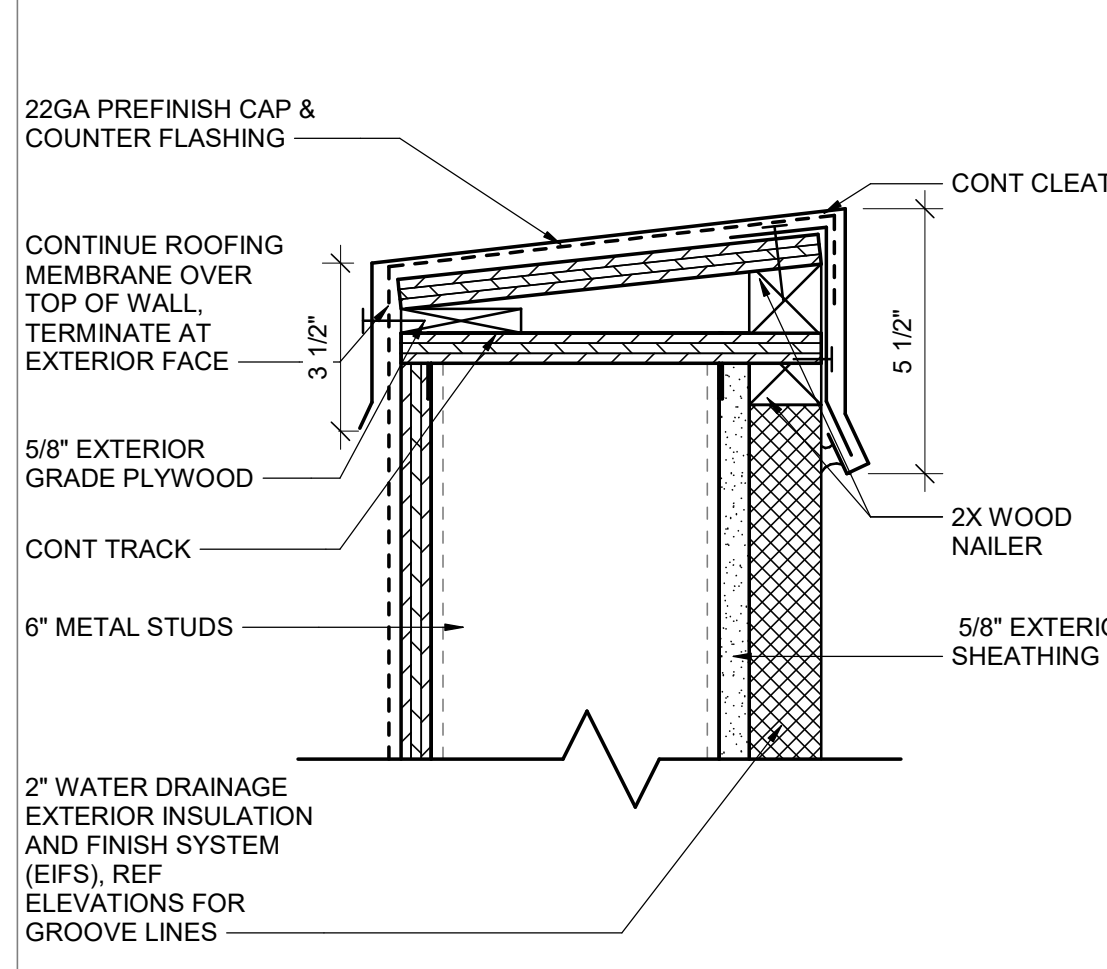
SHEET NUMBER: **A500**

10/13/2025 8:32:20 AM

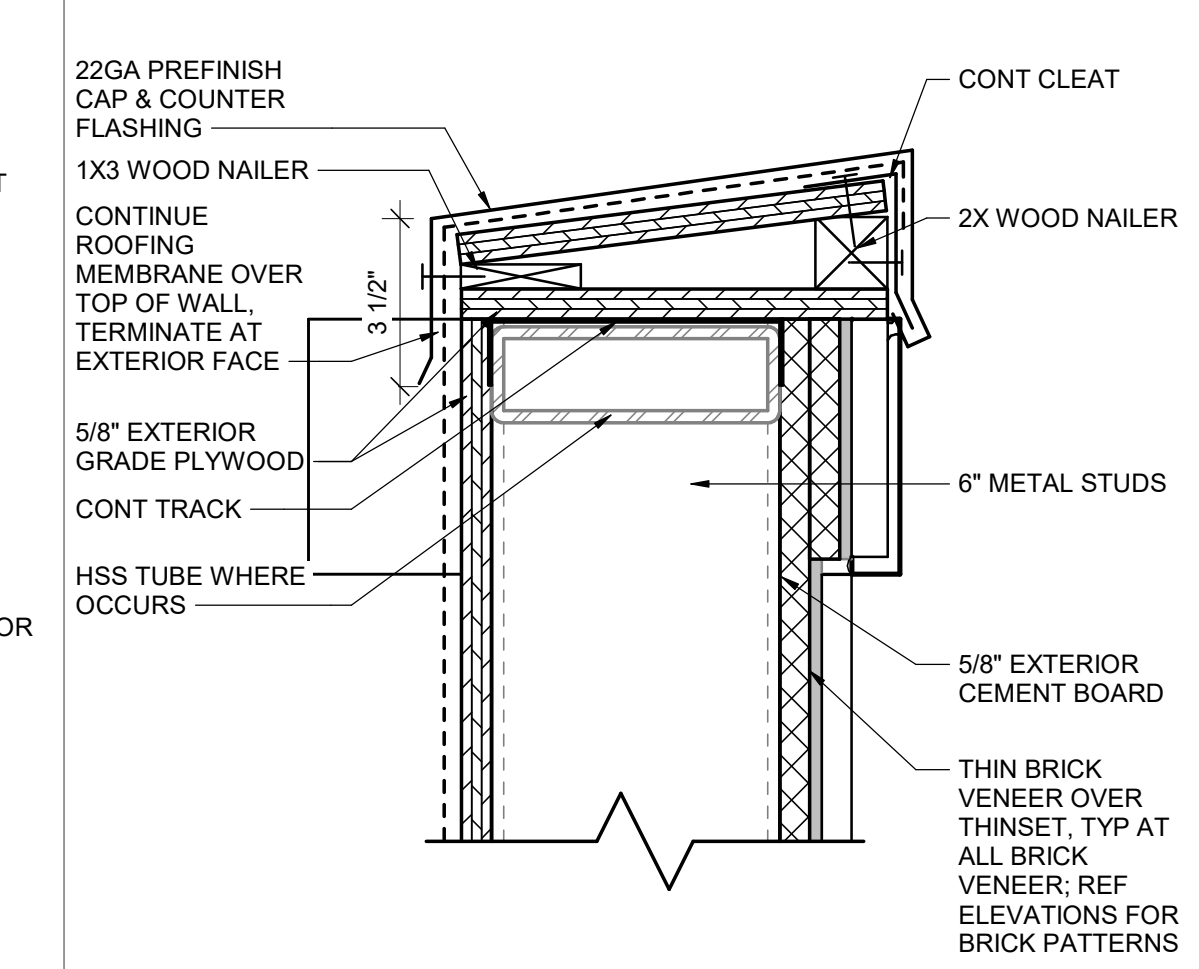
BRR ORIGINAL PRINTED ON RECYCLED PAPER



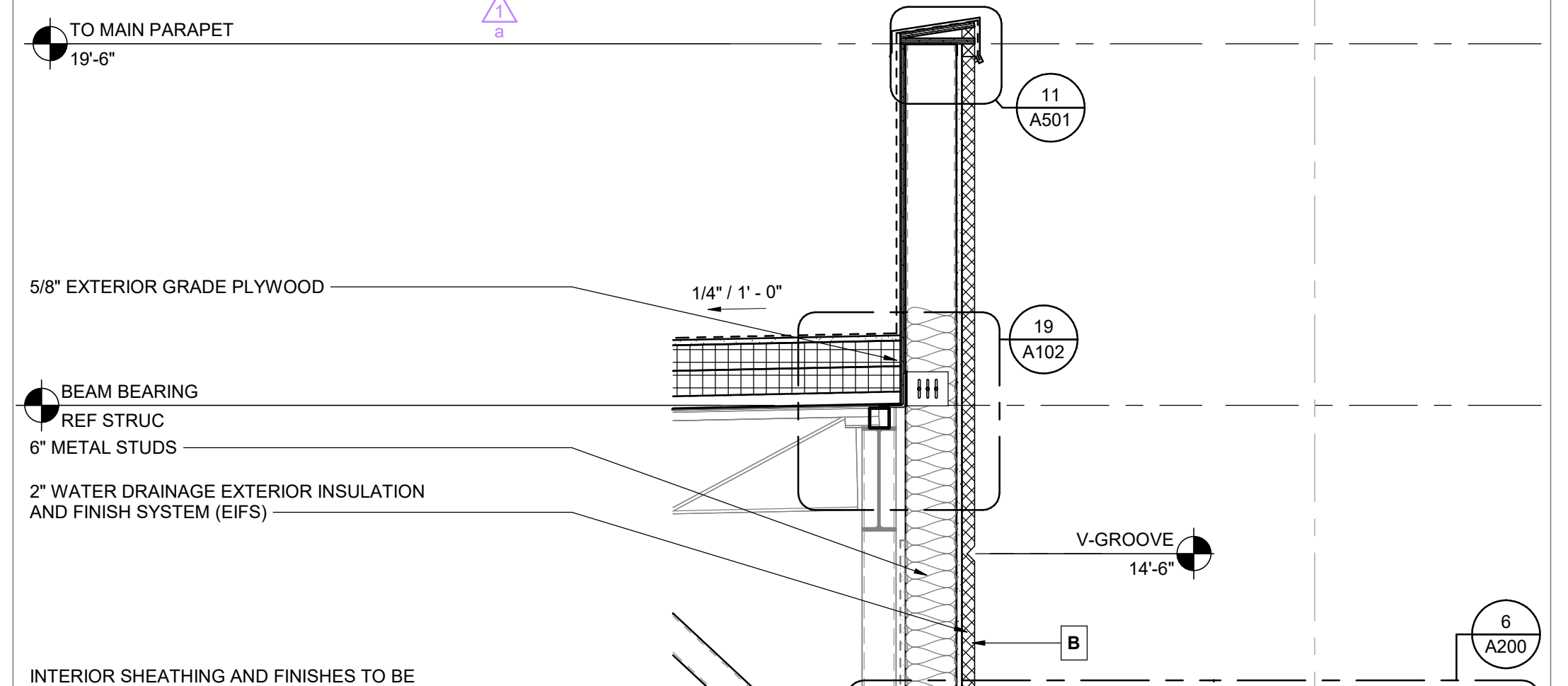
12 PARAPET AT BLACK BRICK
3\"/>



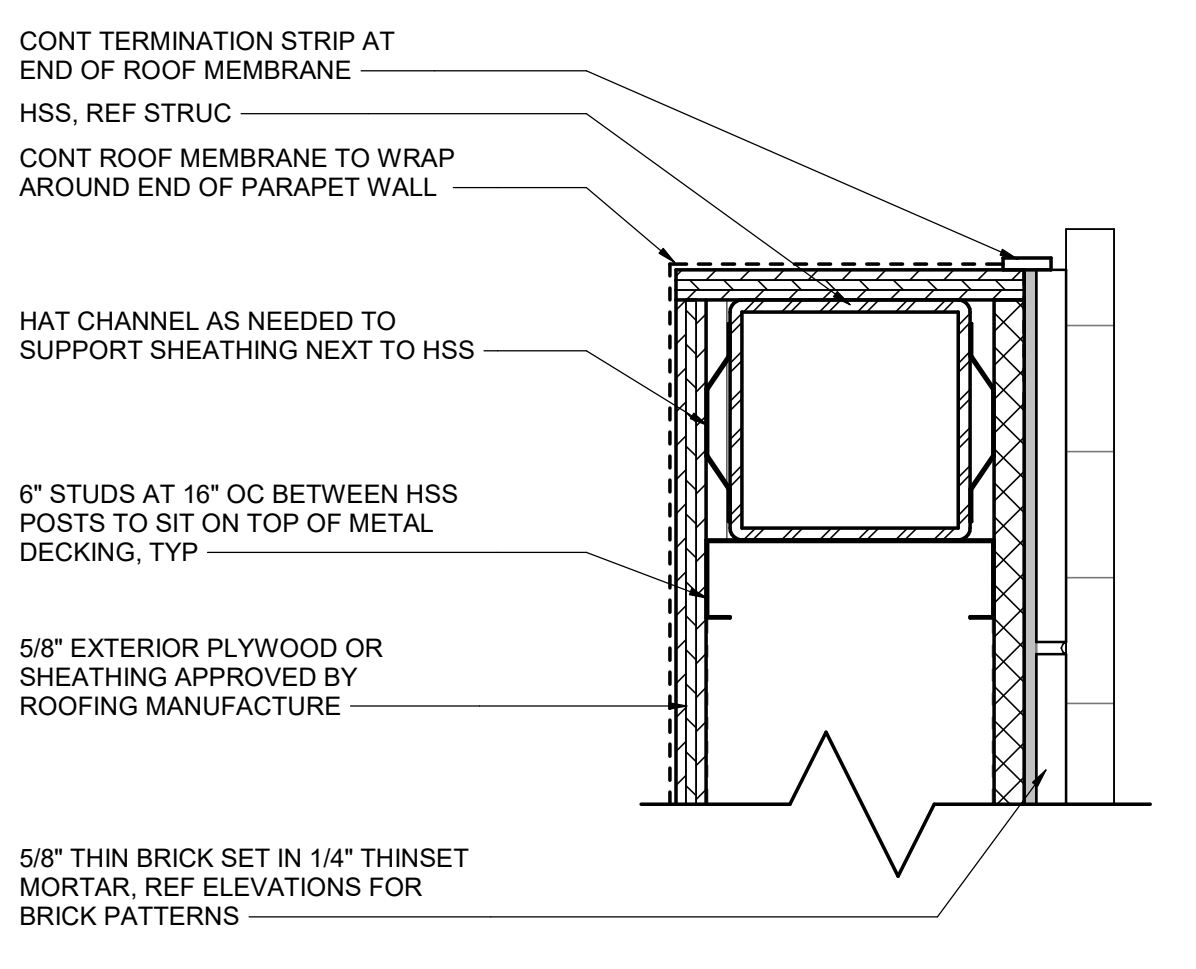
11 PARAPET AT EIFS
3\"/>



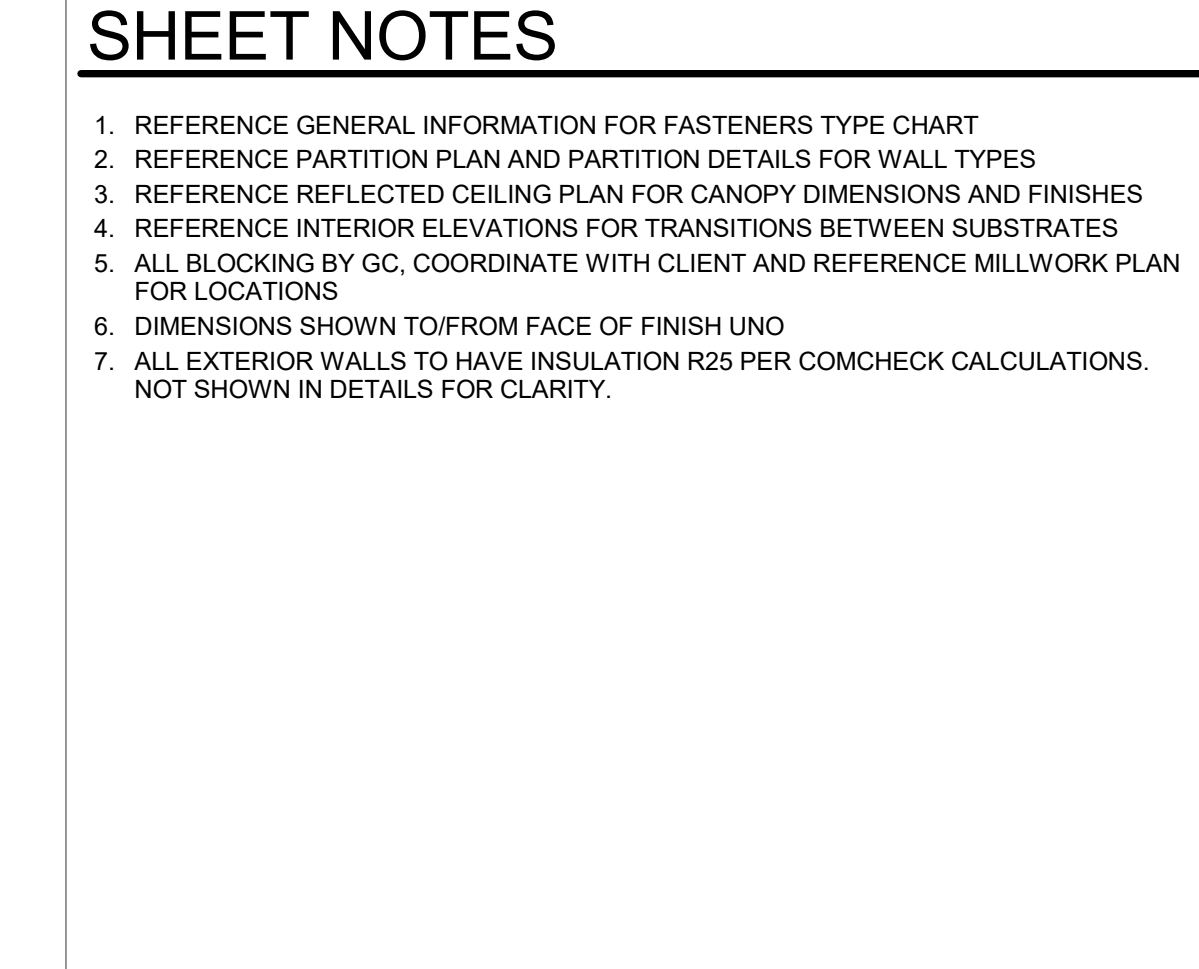
10 PARAPET AT WHITE BRICK
3\"/>



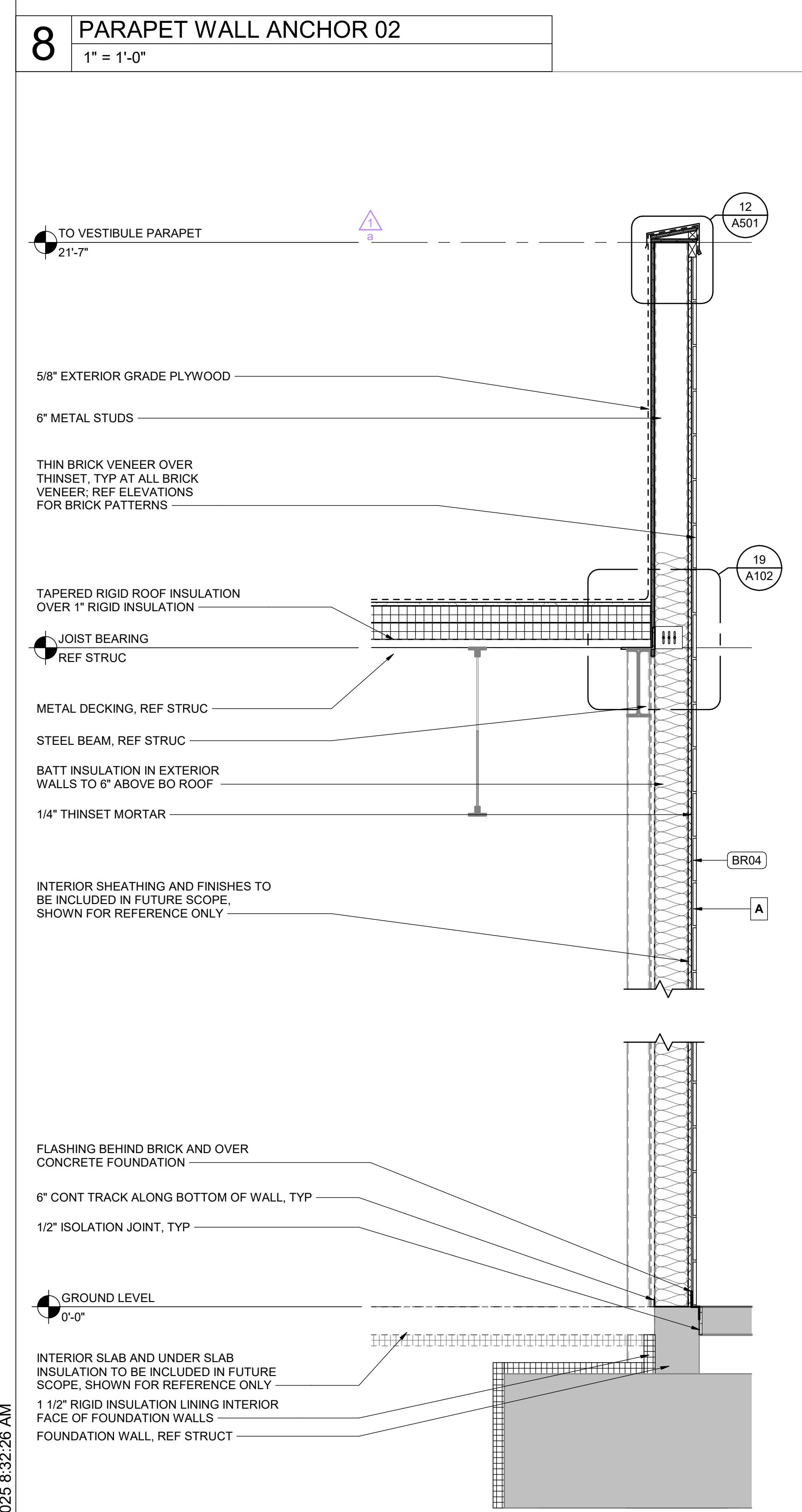
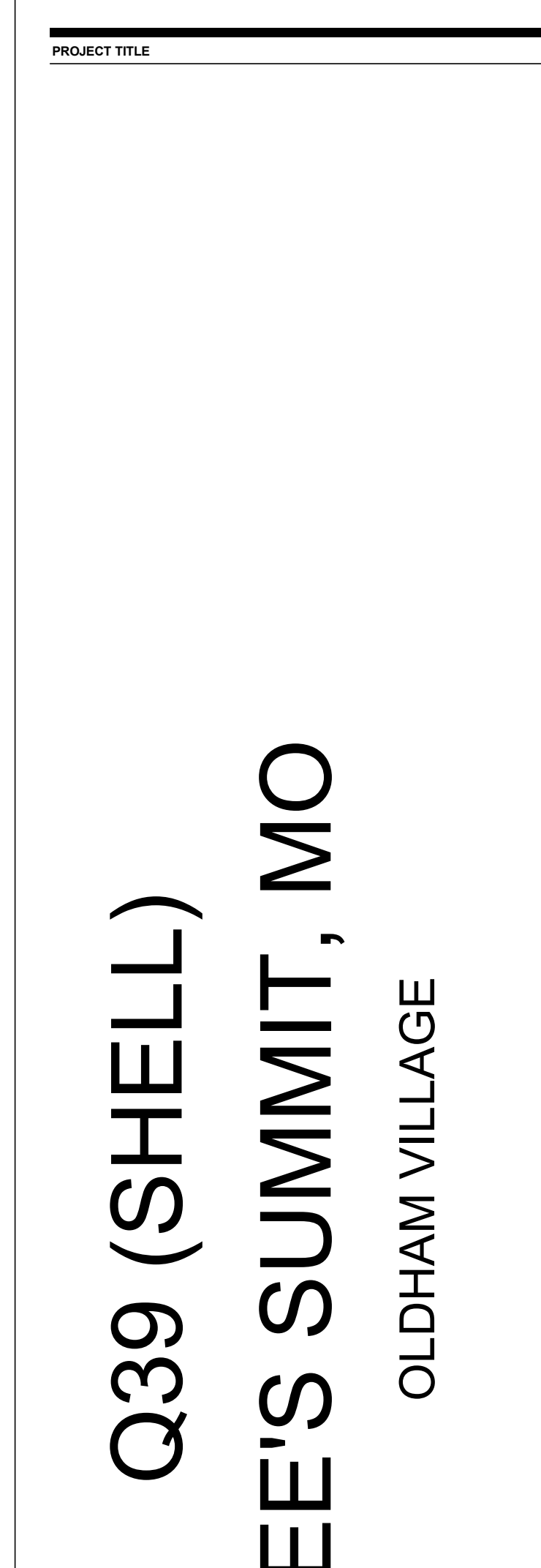
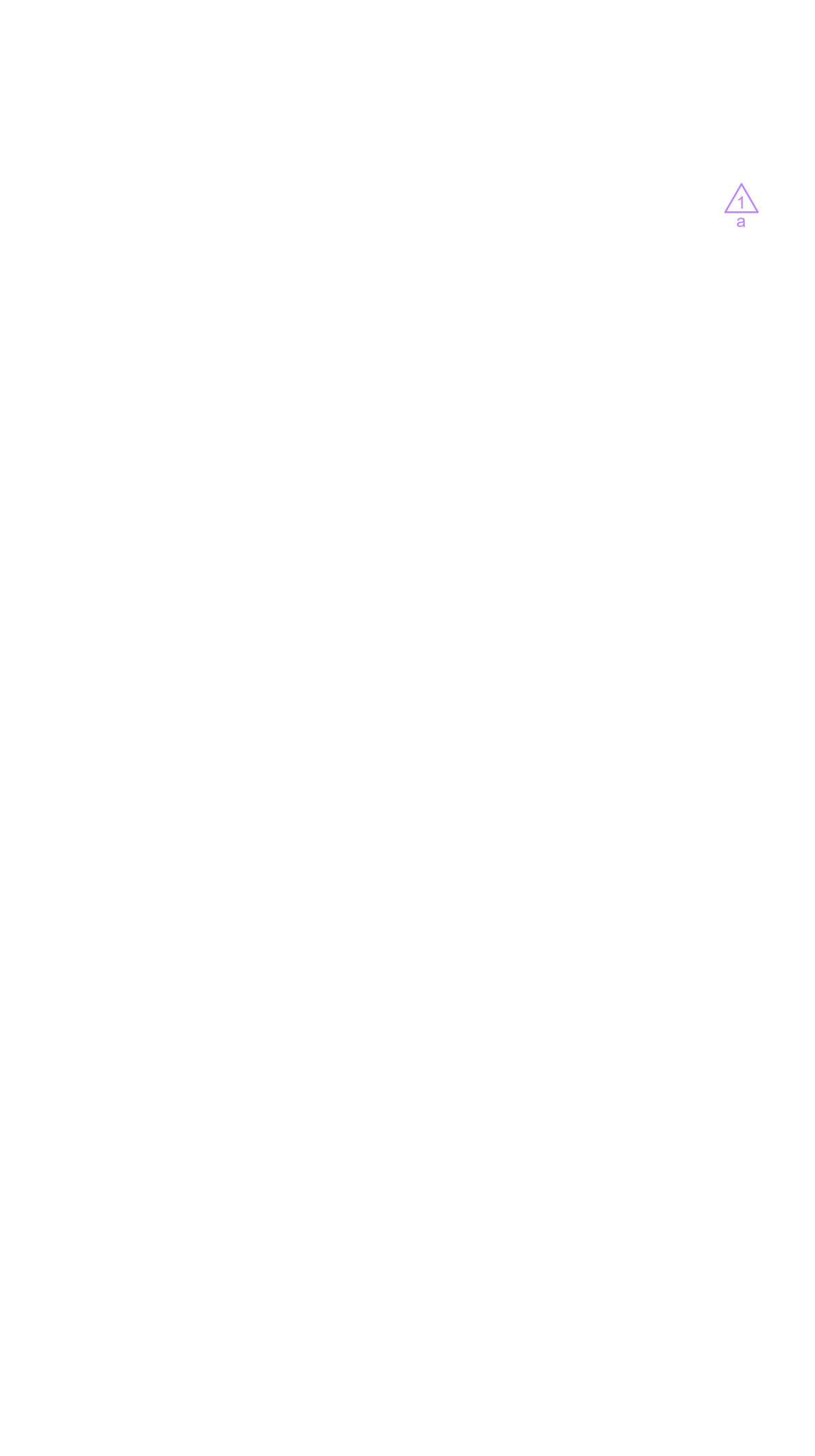
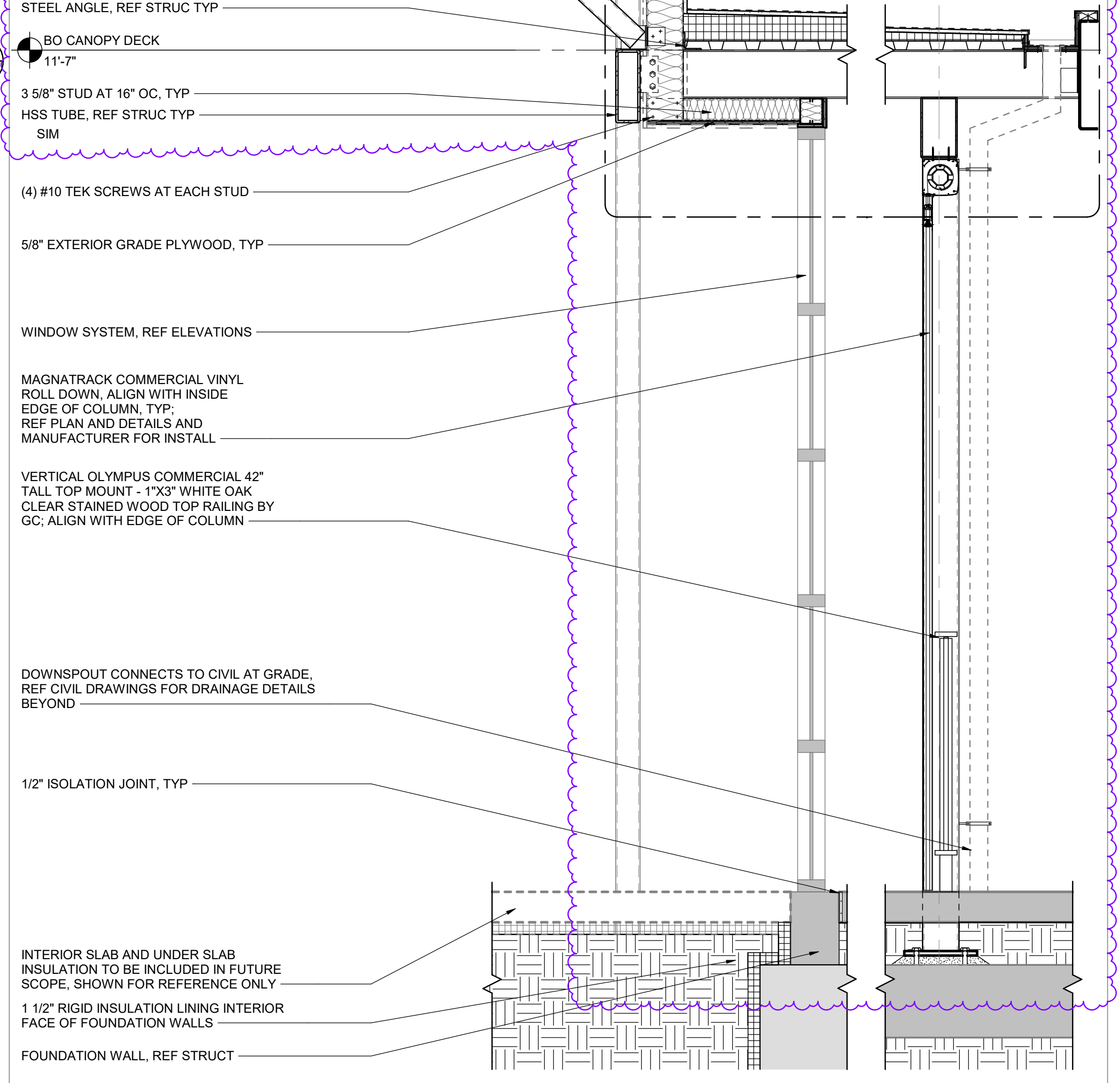
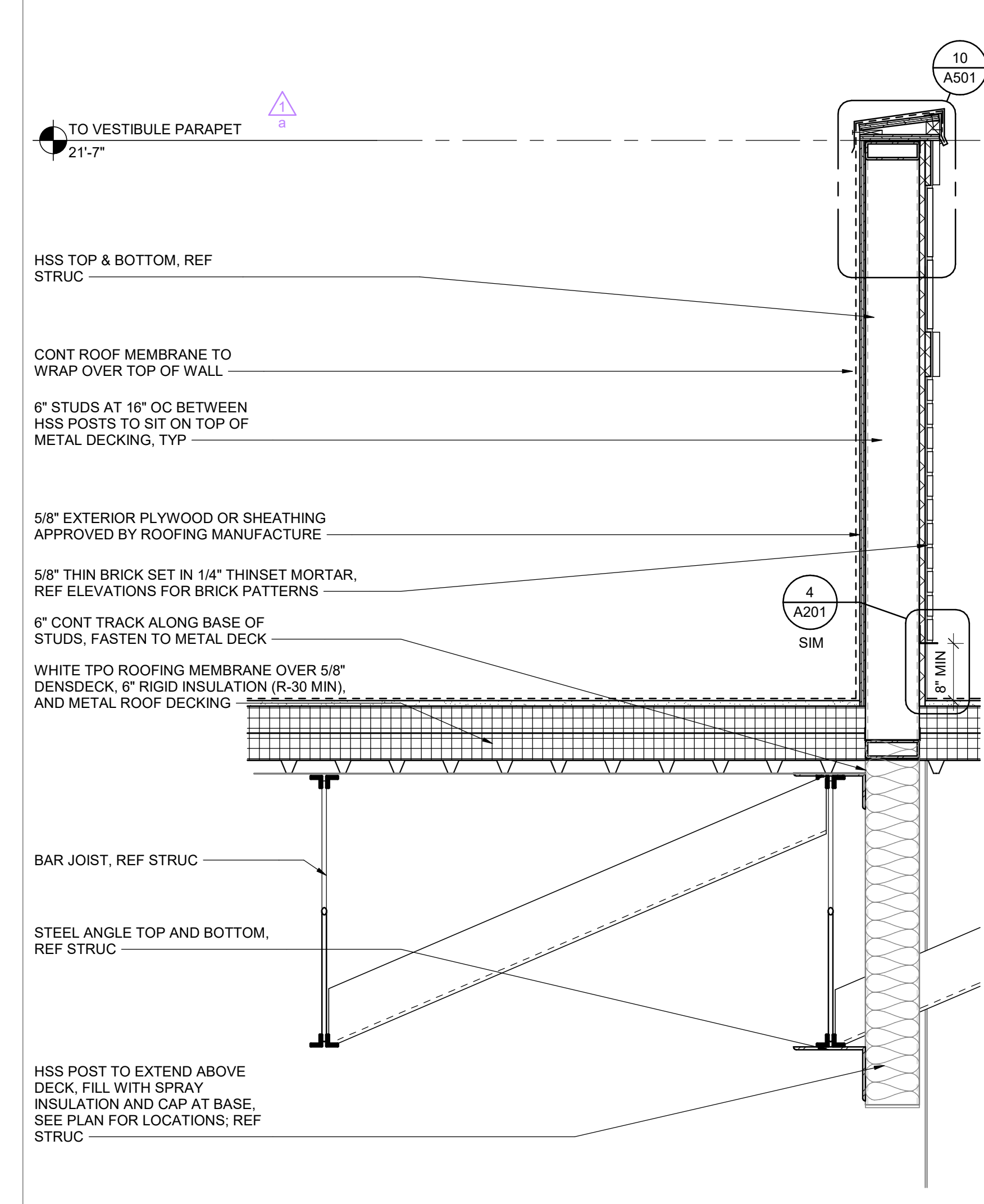
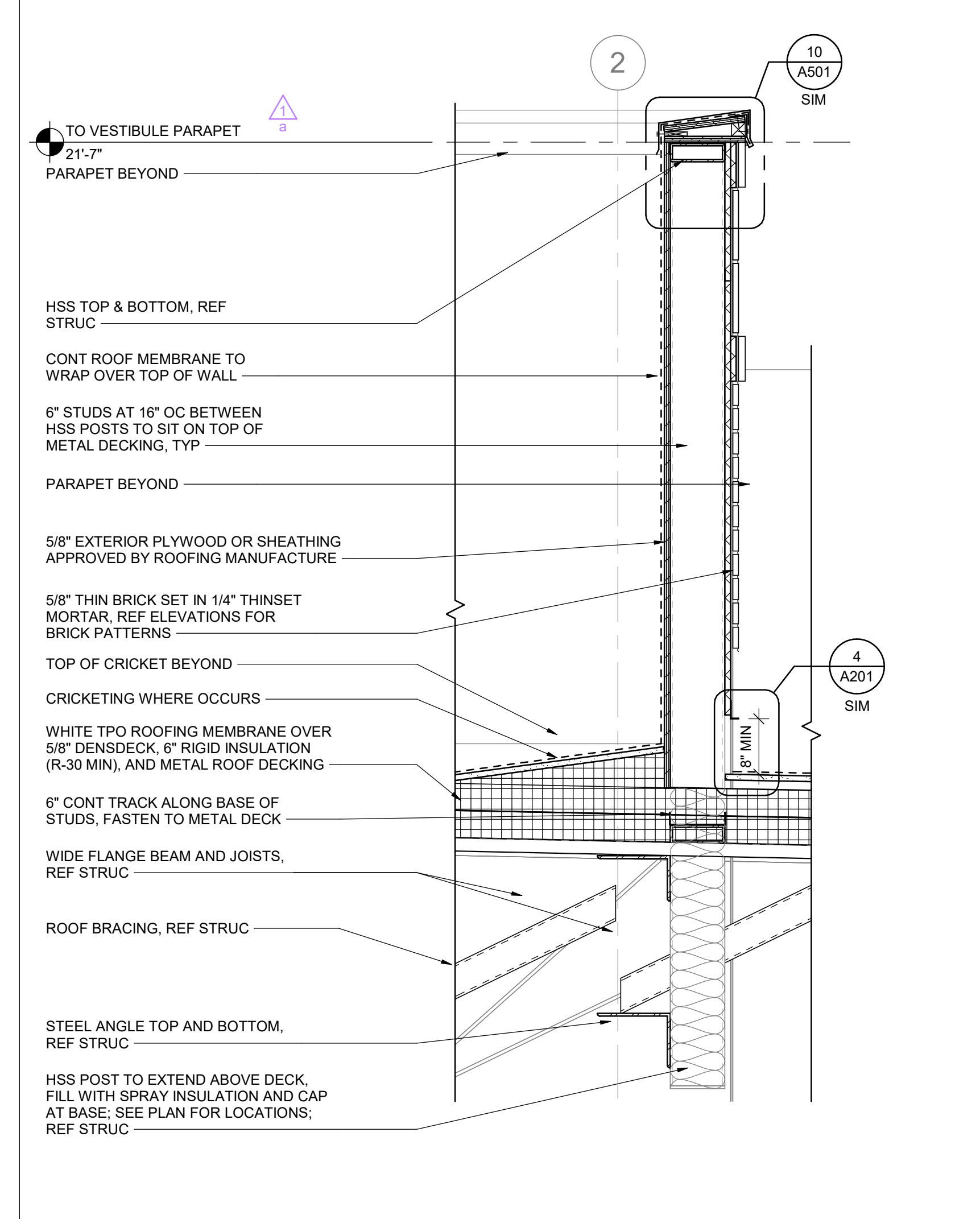
9 PARAPET WALL END
3\"/>



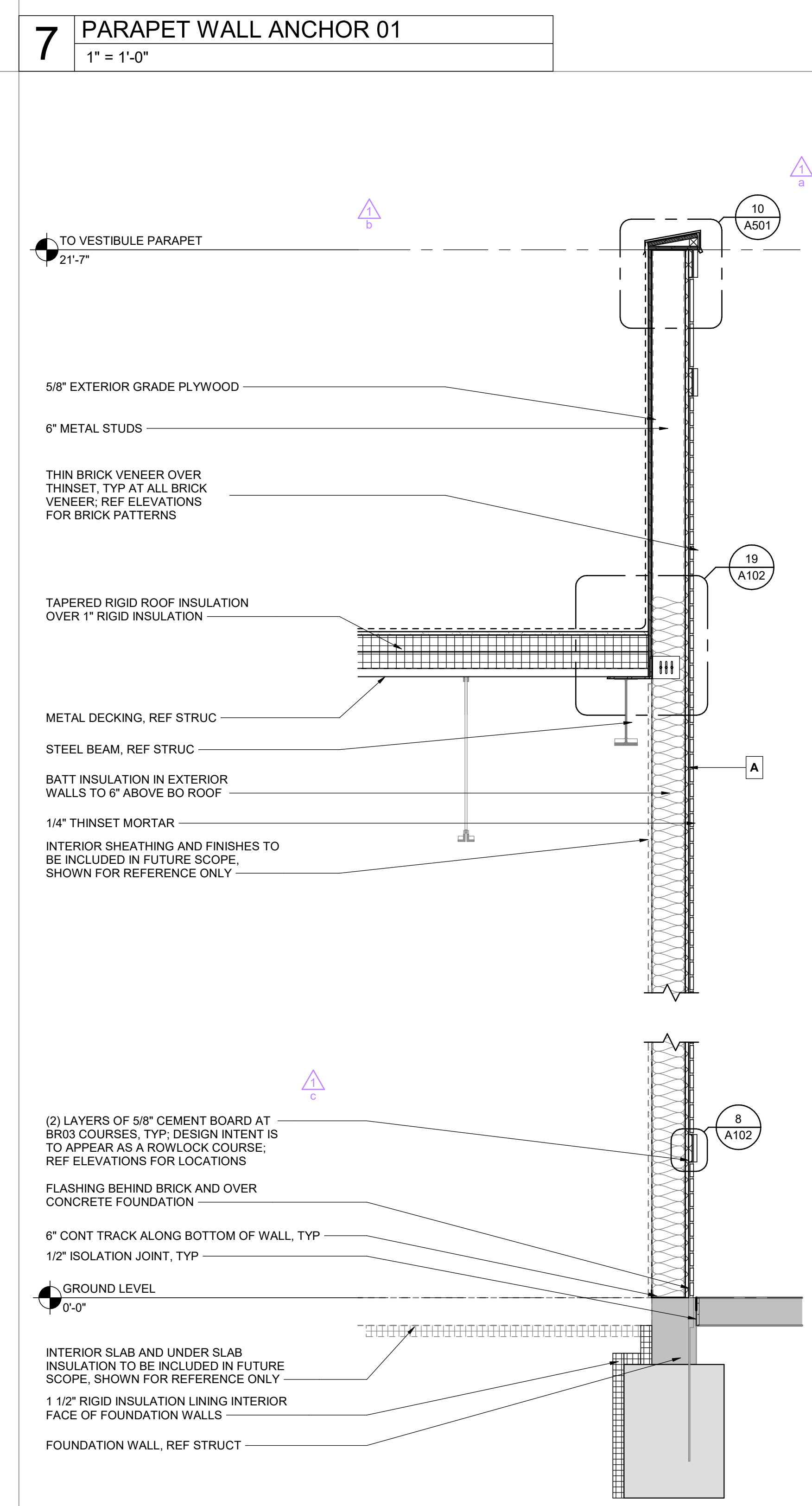
8 PARAPET WALL ANCHOR 02
1\"/>



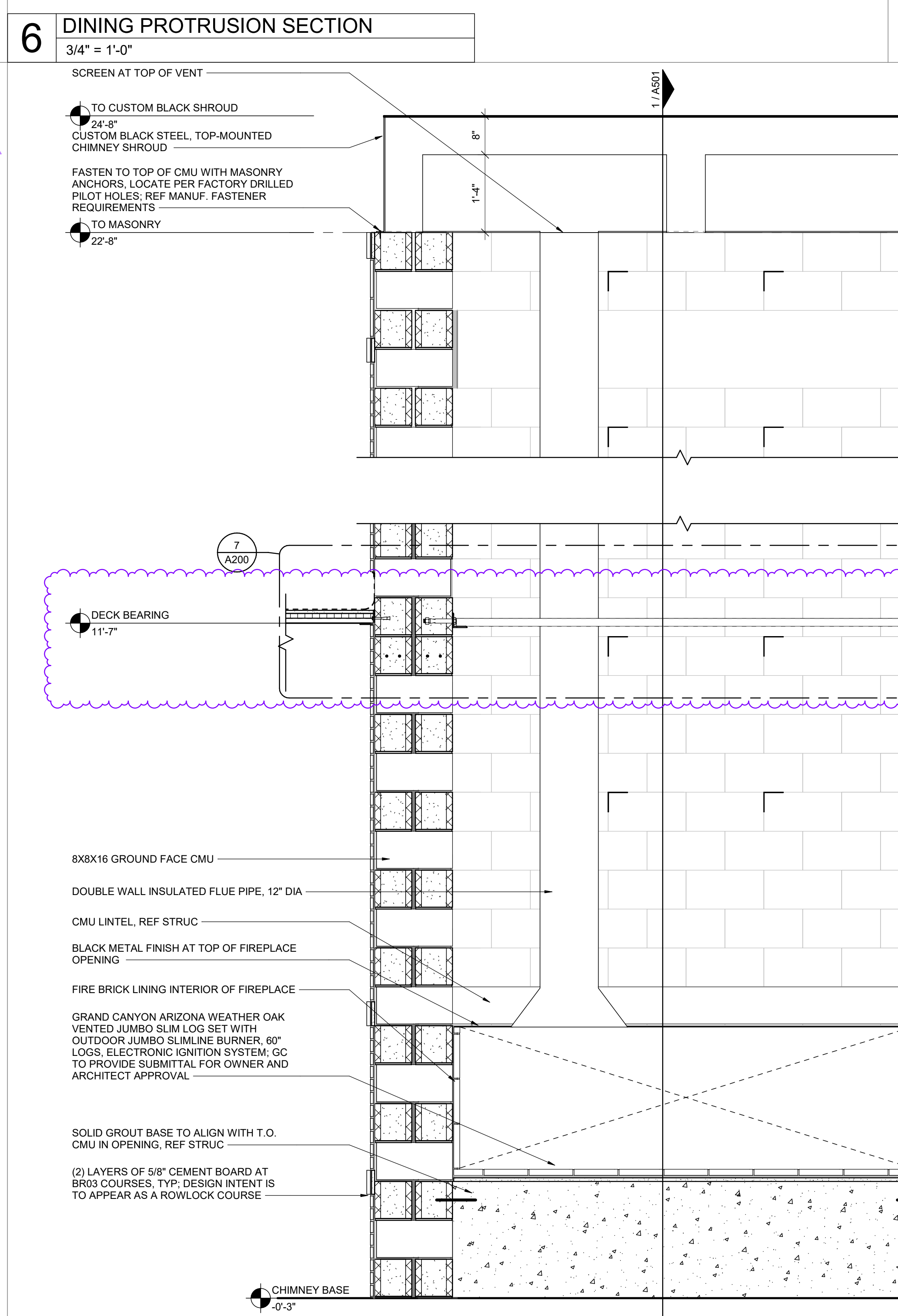
7 PARAPET WALL ANCHOR 01
1\"/>



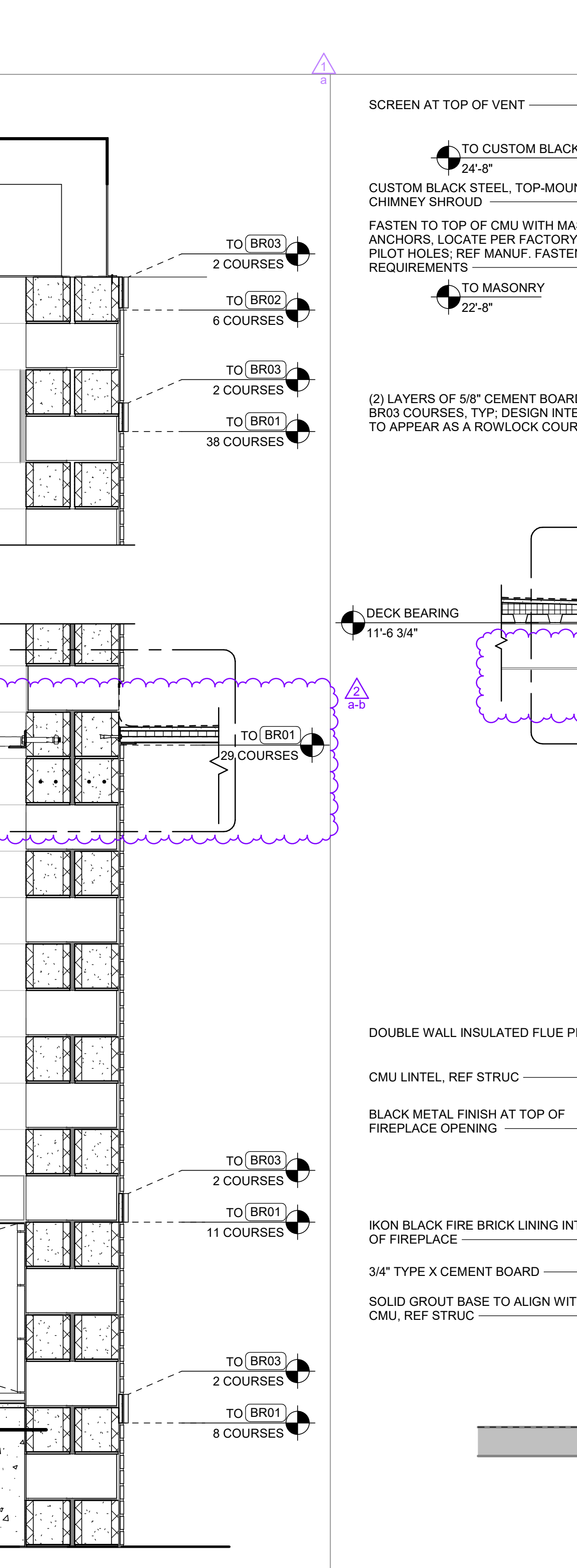
4 FULL HEIGHT BLACK BRICK
3/4\"/>



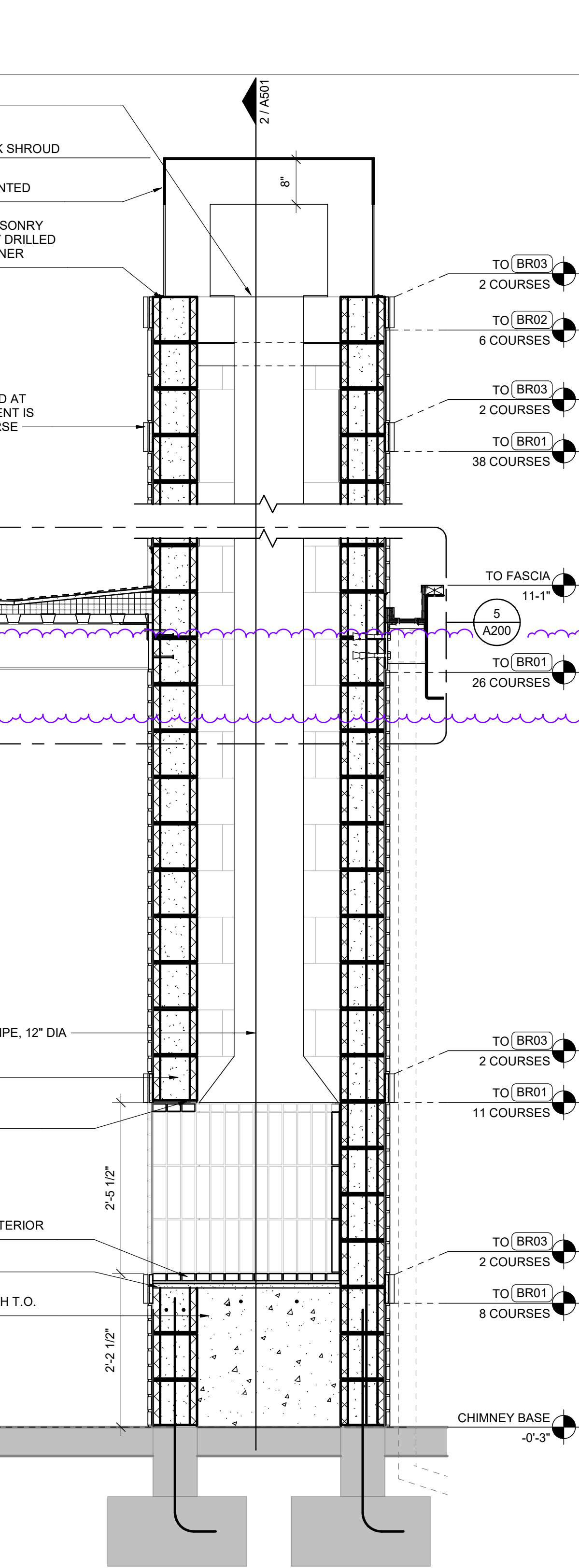
3 FULL HEIGHT WHITE BRICK
3/4\"/>



2 FIREPLACE SECTION 02
3/4\"/>



1 FIREPLACE SECTION 01
3/4\"/>



6 DINING PROTRUSION SECTION
3/4\"/>

SHEET NOTES

1. REFERENCE GENERAL INFORMATION FOR FASTENERS TYPE CHART
2. REFERENCE PARTITION PLAN AND PARTITION DETAILS FOR WALL TYPES
3. REFERENCE REFLECTED CEILING PLAN FOR CANOPY DIMENSIONS AND FINISHES
4. REFERENCE INTERIOR ELEVATIONS FOR TRANSITIONS BETWEEN SUBSTRATES
5. ALL BLOCKING BY GC. COORDINATE WITH CLIENT AND REFERENCE MILLWORK PLAN FOR LOCATIONS
6. DIMENSIONS SHOWN TO/FROM FACE OF FINISH UNO
7. ALL EXTERIOR WALLS TO HAVE INSULATION R25 PER COMCHECK CALCULATIONS. NOT SHOWN IN DETAILS FOR CLARITY.

ARCHITECT OF RECORD
brr
BRR ARCHITECTURE INC.
1511 WESTLARK AVENUE
SUITE 200 PARK, KS 6224
WWW.BRRARCH.COM
TEL: 314.383.8888
FAX: 314.383.8884

CONSULTANT

CLIENT

PROJECT TITLE

Q39 (SHELL)
LEE'S SUMMIT, MO
OLDHAM VILLAGE

PROJECT NUMBER: 62500002
PROJECT MANAGER: TM
DRAWN BY: ND
CHECKED BY:
PROFESSIONAL SEAL

10/13/2025

ISSUES AND REVISIONS

NUMBER	DATE	ORIGINAL ISSUE	DESCRIPTION
1	10/13/2025	ADDITION 1	
2	10/13/2025	ADDITION 1	
3	10/13/2025	ADDITION 1	

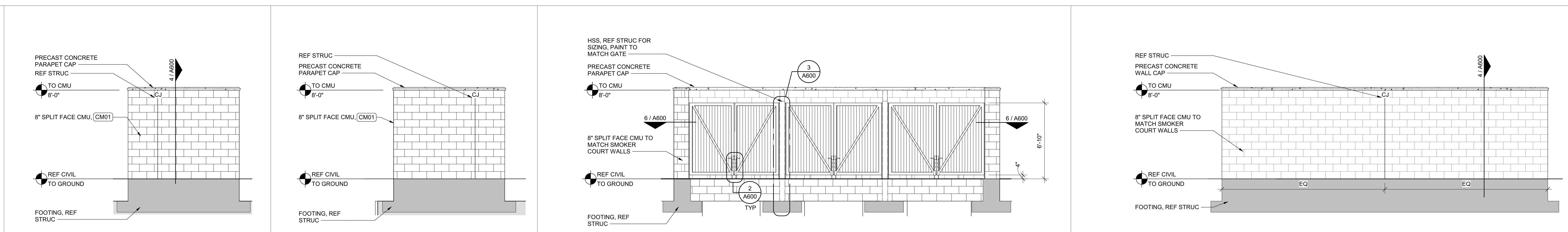
SHEET NAME: WALL SECTIONS
SHEET NUMBER: A501

888 ORIGINAL, PRINTED ON RECYCLED PAPER

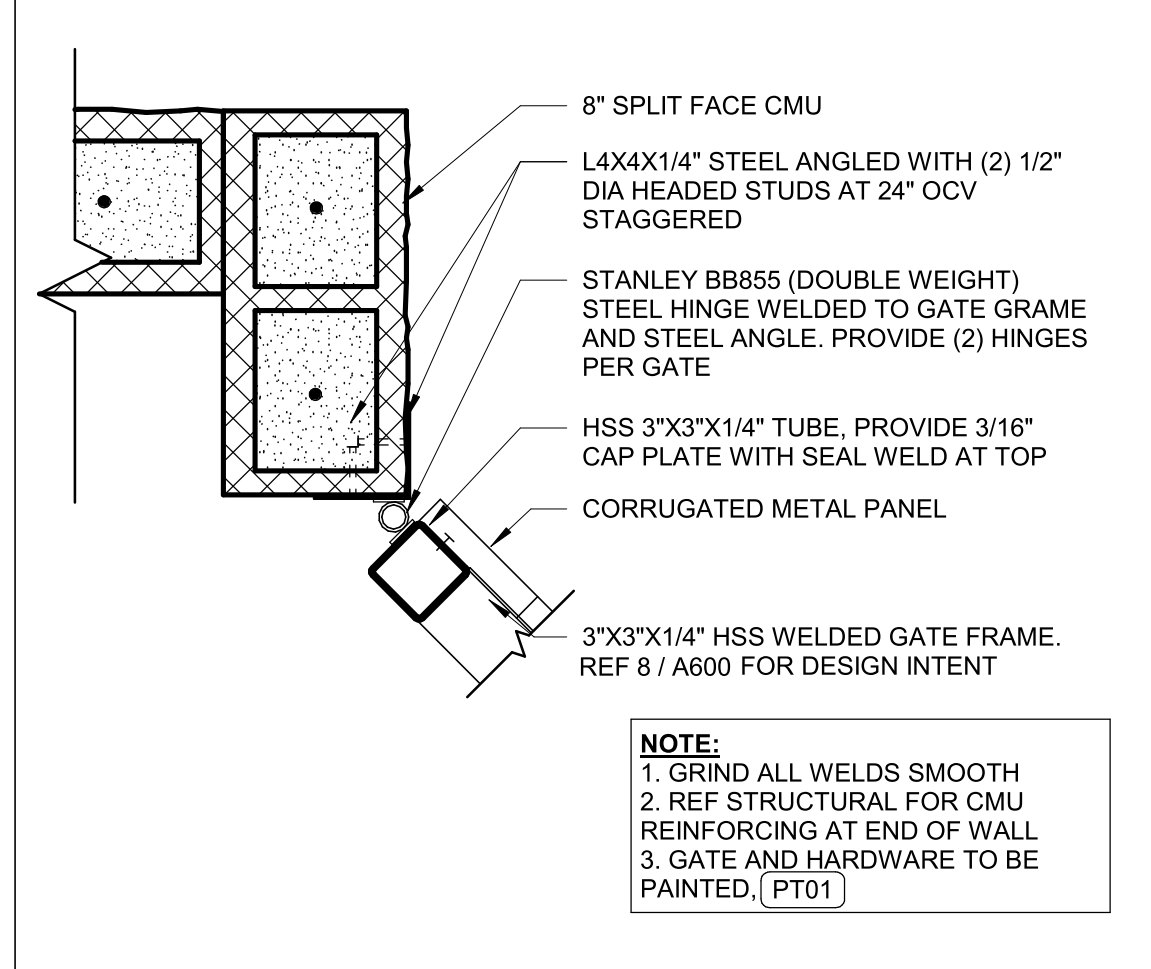
10/13/2025 8:32:26 AM

ALL BOLLARDS, RAILS, BARRIERS, OR GUARDS ARE USED ONLY TO PROVIDE VISUAL CUES SEPARATING PEDESTRIAN, EQUIPMENT, AND VEHICLE AREAS AND ARE NOT INTENDED TO COMPLY WITH ASCE, ASTM F3016, ASTM 2686, OR ANY PROVISION ESTABLISHING TESTING OR RATING REQUIREMENTS FOR VEHICLE IMPACT.

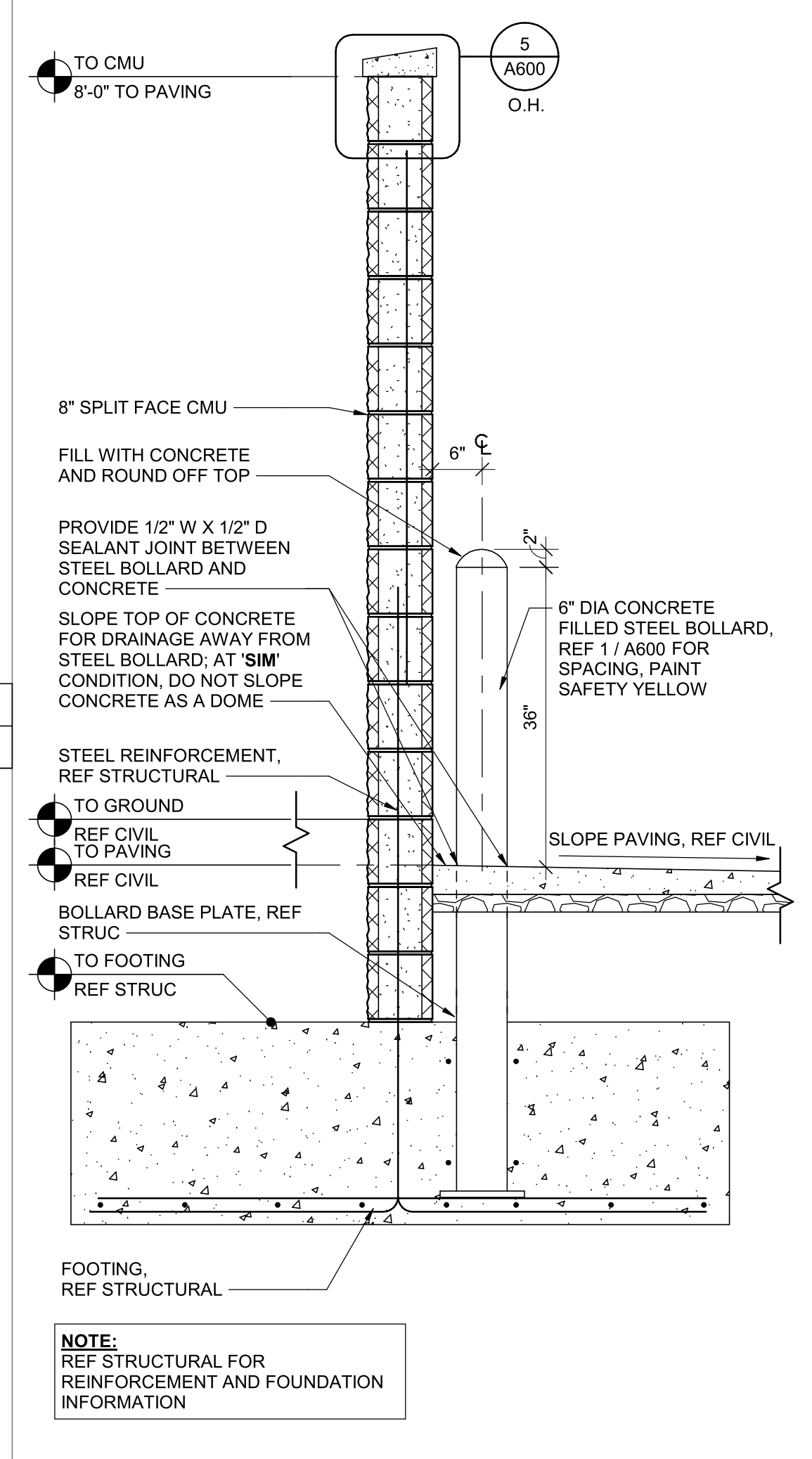
Q39 (SHELL)
LEE'S SUMMIT, MO
 OLDHAM VILLAGE



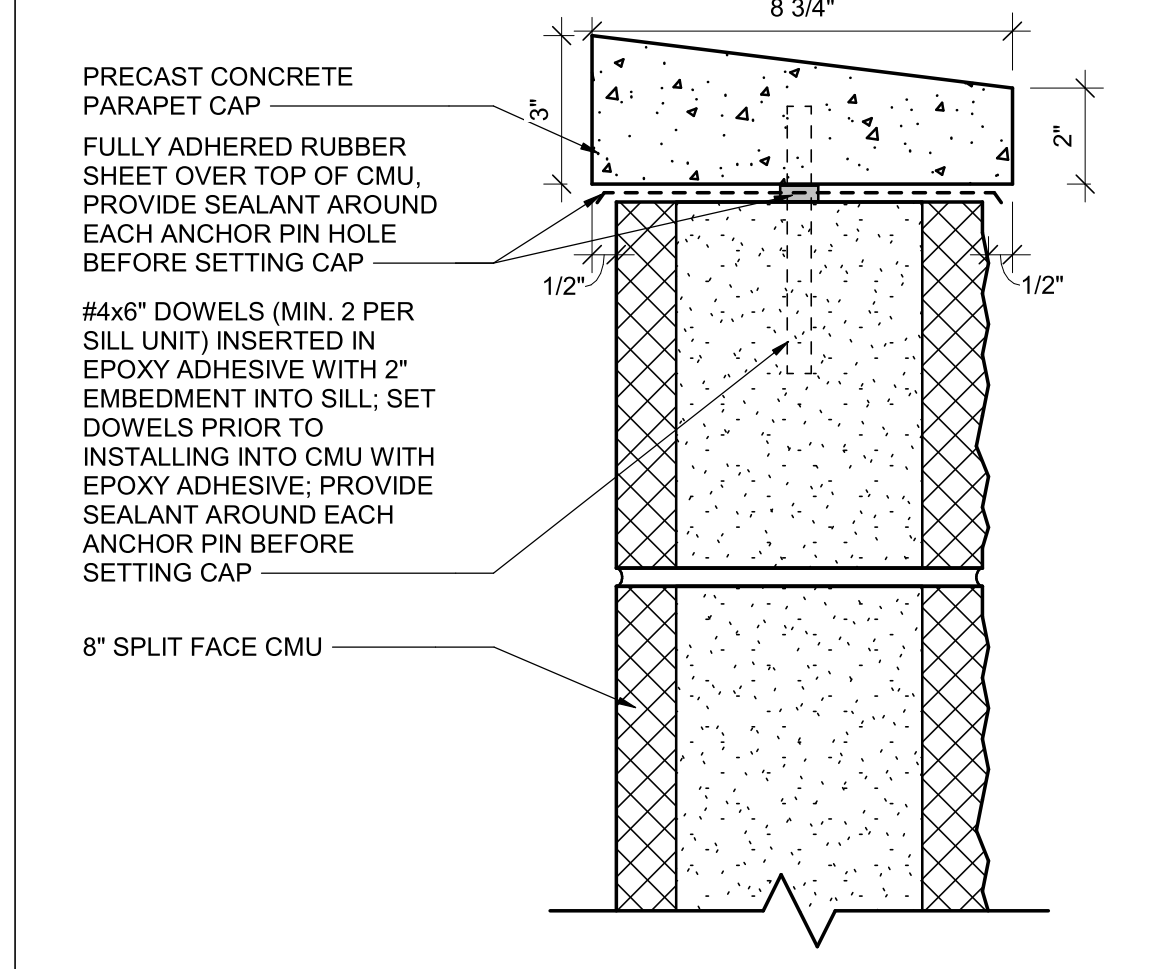
10 WEST TRASH ENCLOSURE 1/4" = 1'-0"
9 EAST TRASH ENCLOSURE 1/4" = 1'-0"
8 SOUTH TRASH ENCLOSURE 1/4" = 1'-0"
7 NORTH TRASH ENCLOSURE 1/4" = 1'-0"



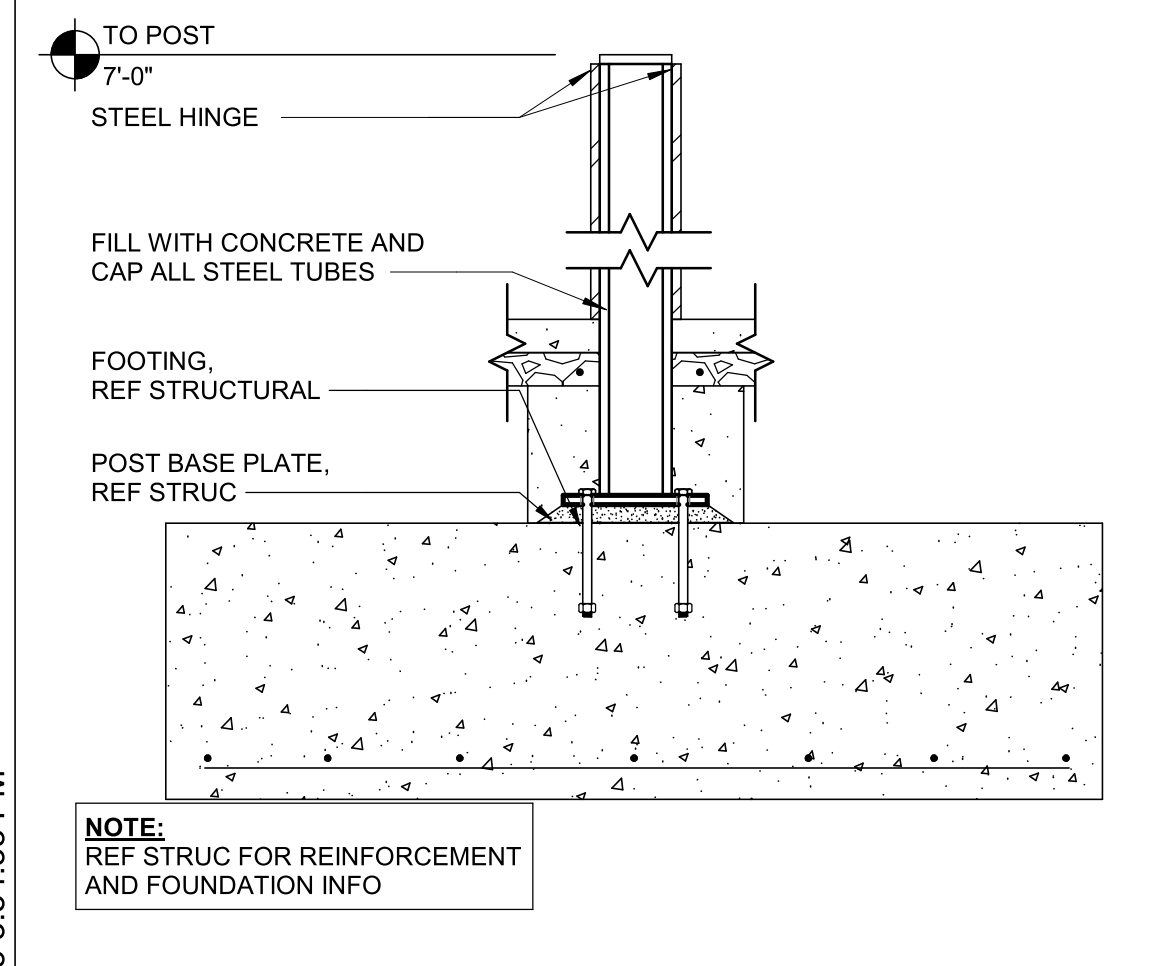
6 GATE HINGE POST 1 1/2" = 1'-0"



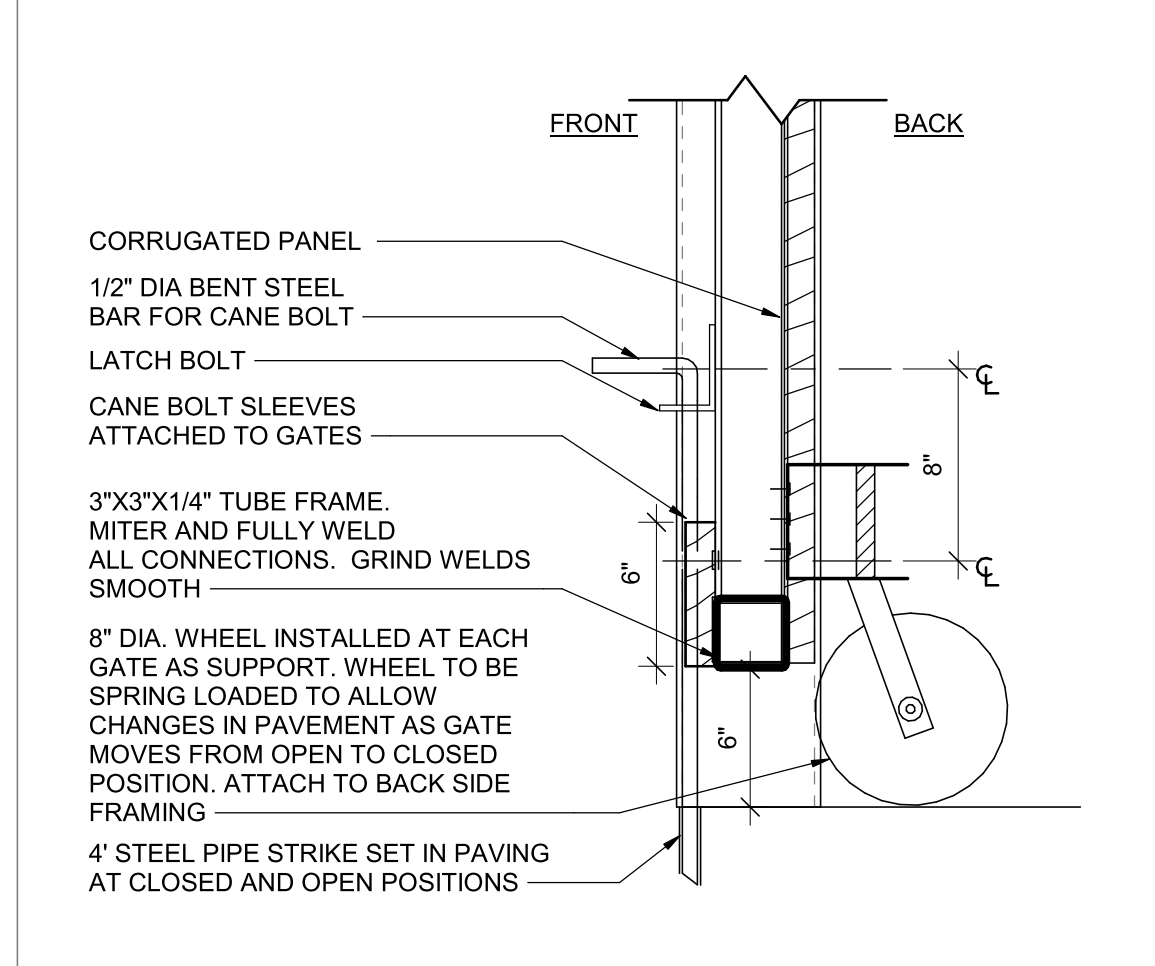
4 ENCLOSURE SECTION 3/4" = 1'-0"



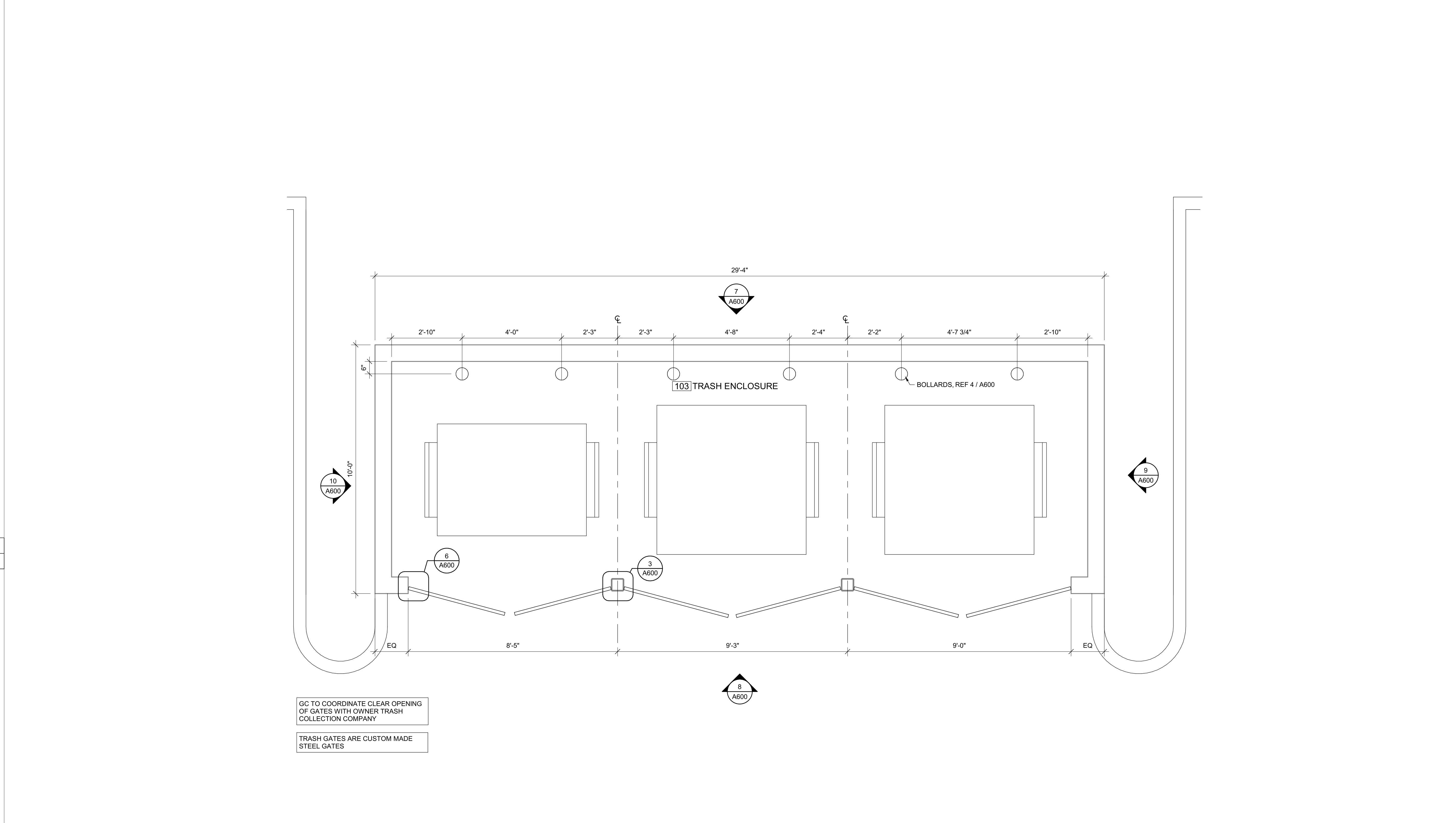
5 WALL CAP DETAIL 3" = 1'-0"



3 CENTER POST 3/4" = 1'-0"



2 GATE CANE BOLT 1 1/2" = 1'-0"



1 TRASH ENCLOSURE PLAN 1/2" = 1'-0"

5/12/2025 3:54:33 PM

PROJECT NUMBER	62500002
PROJECT MANAGER	TM
DRAWN BY	ND
CHECKED BY	[Signature]
PROFESSIONAL SEAL	

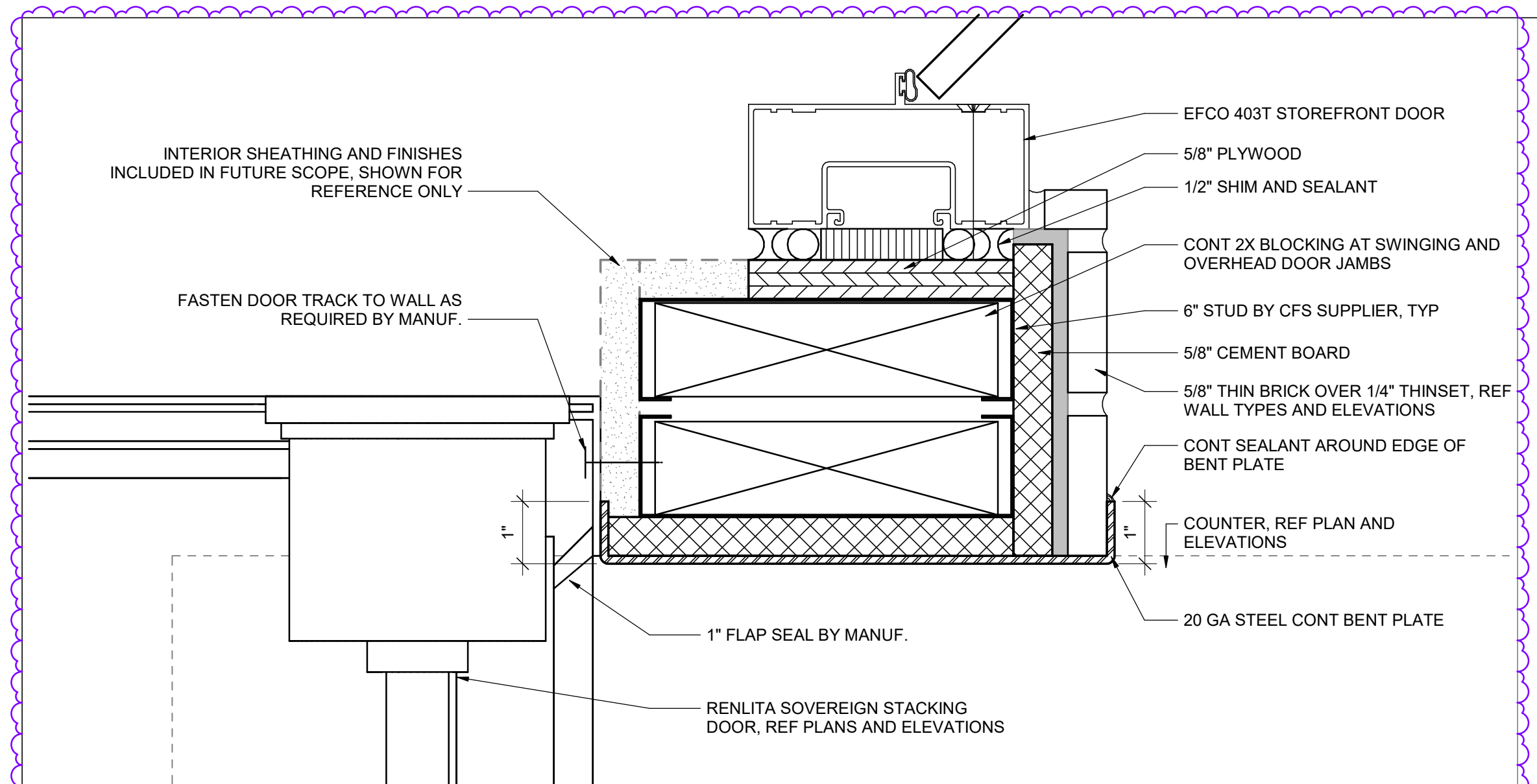


COPYRIGHT NOTICE
 THIS DRAWING WAS PREPARED FOR USE ON A SPECIFIC SITE. CONTINUING WORK WITH THIS SITE IS THE SOLE RESPONSIBILITY OF THE USER. ANY REUSE OF THIS DRAWING FOR ANY OTHER PROJECT WITHOUT THE WRITTEN PERMISSION OF BRR ARCHITECTURE INC. IS STRICTLY PROHIBITED. THE SERVICES OF BRR ARCHITECTURE INC. ARE LIMITED TO THE PROJECT AND SITE SPECIFICALLY IDENTIFIED IN THE PROJECT TITLE. BRR DOES NOT GUARANTEE THAT THIS DRAWING IS SUFFICIENT OR APPROPRIATE FOR USES NOT INTENDED OR ALIENS THESE FILES TO OTHERS. BRR ARCHITECTURE INC. ASSUMES NO LIABILITY ARISING FROM USER'S USE.

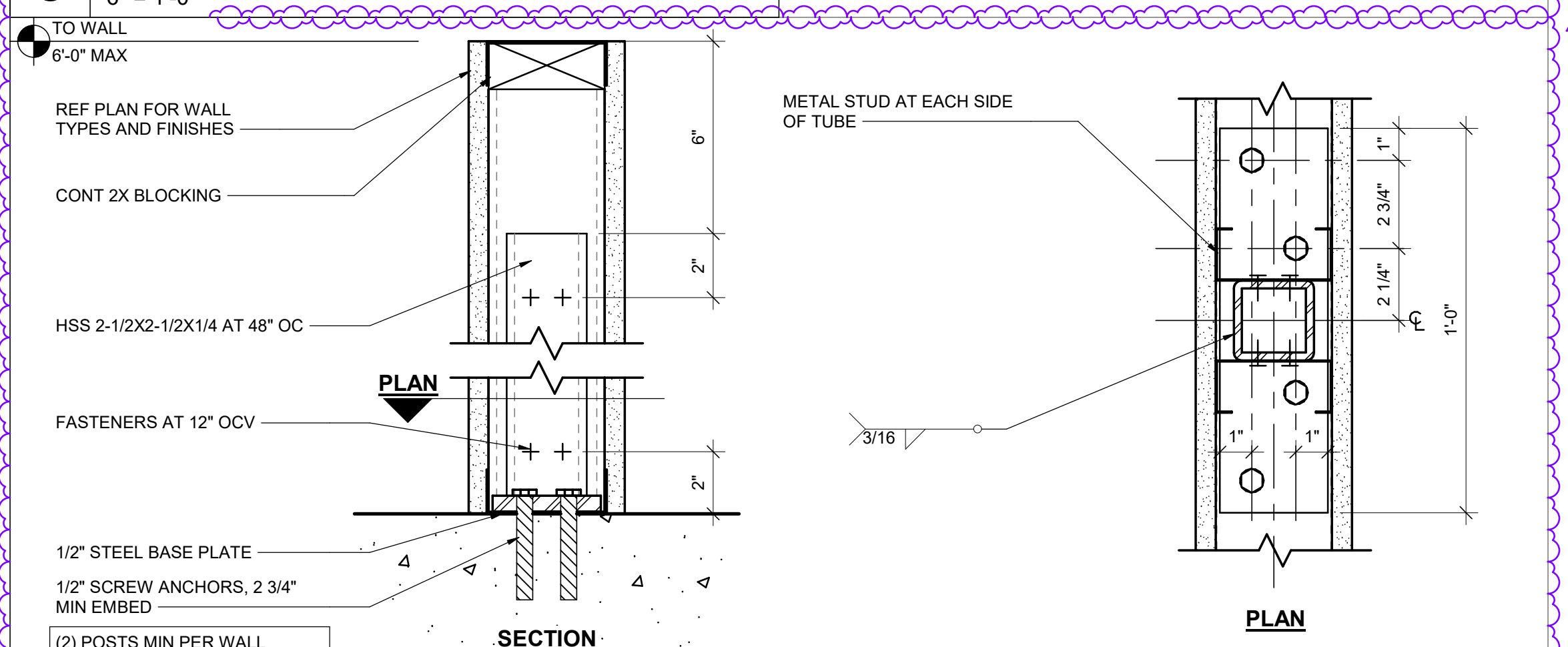
ISSUES AND REVISIONS			
NUMBER	DATE	ISSUES	DESCRIPTION

TRASH ENCLOSURE PLAN AND DETAILS
 SHEET NUMBER

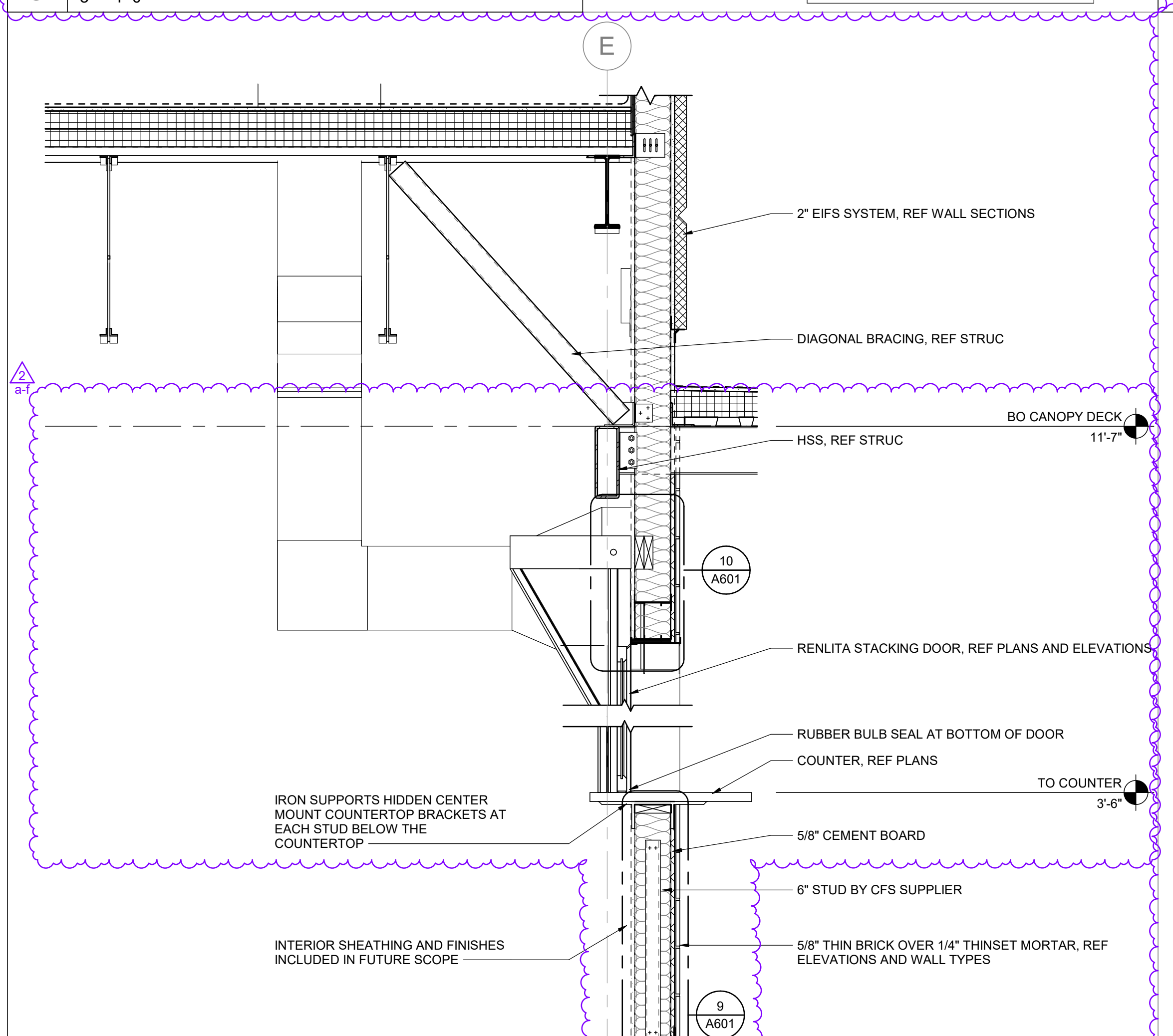
A600



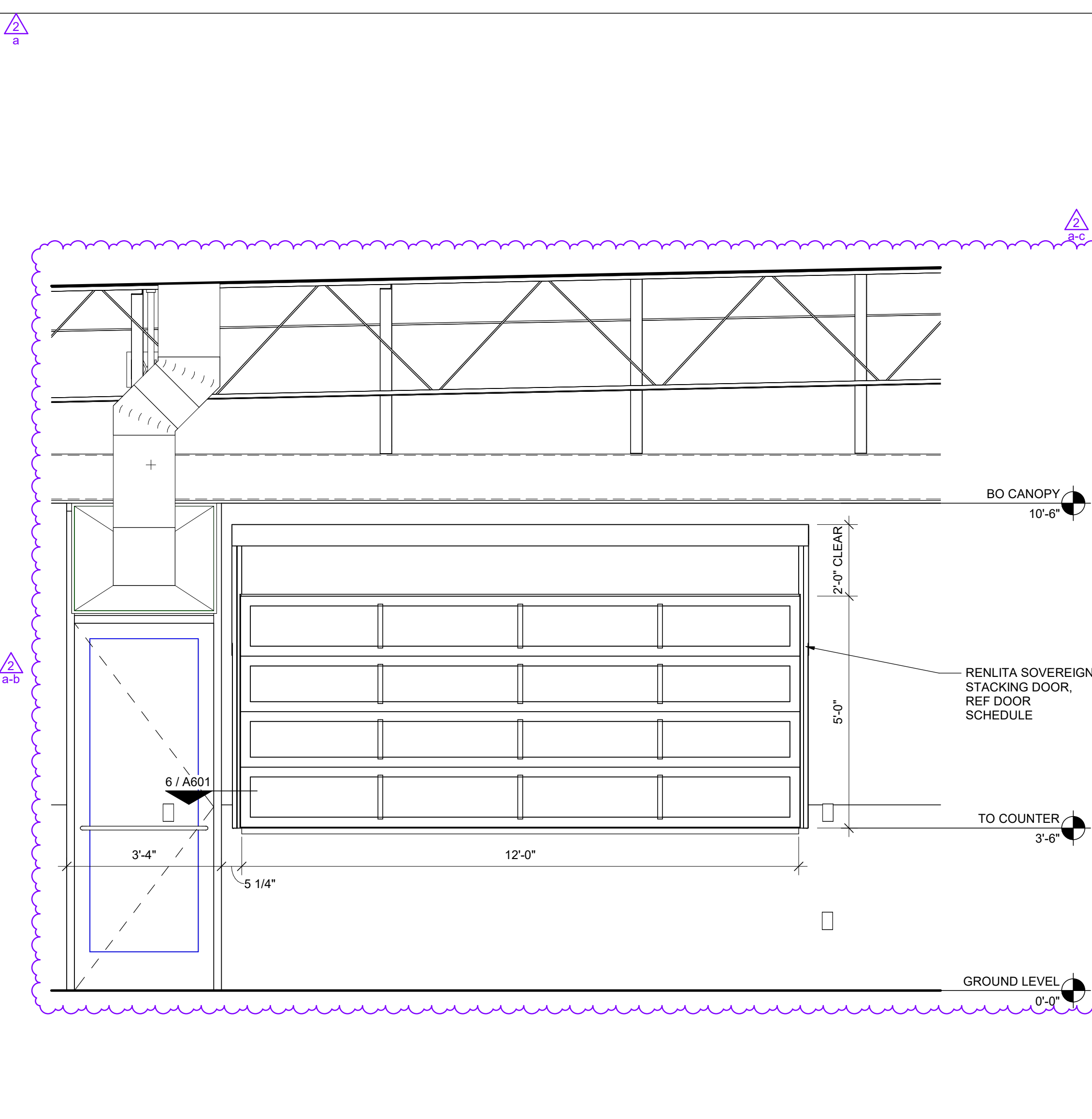
6 GARAGE DOOR JAMB
6" = 1'-0"



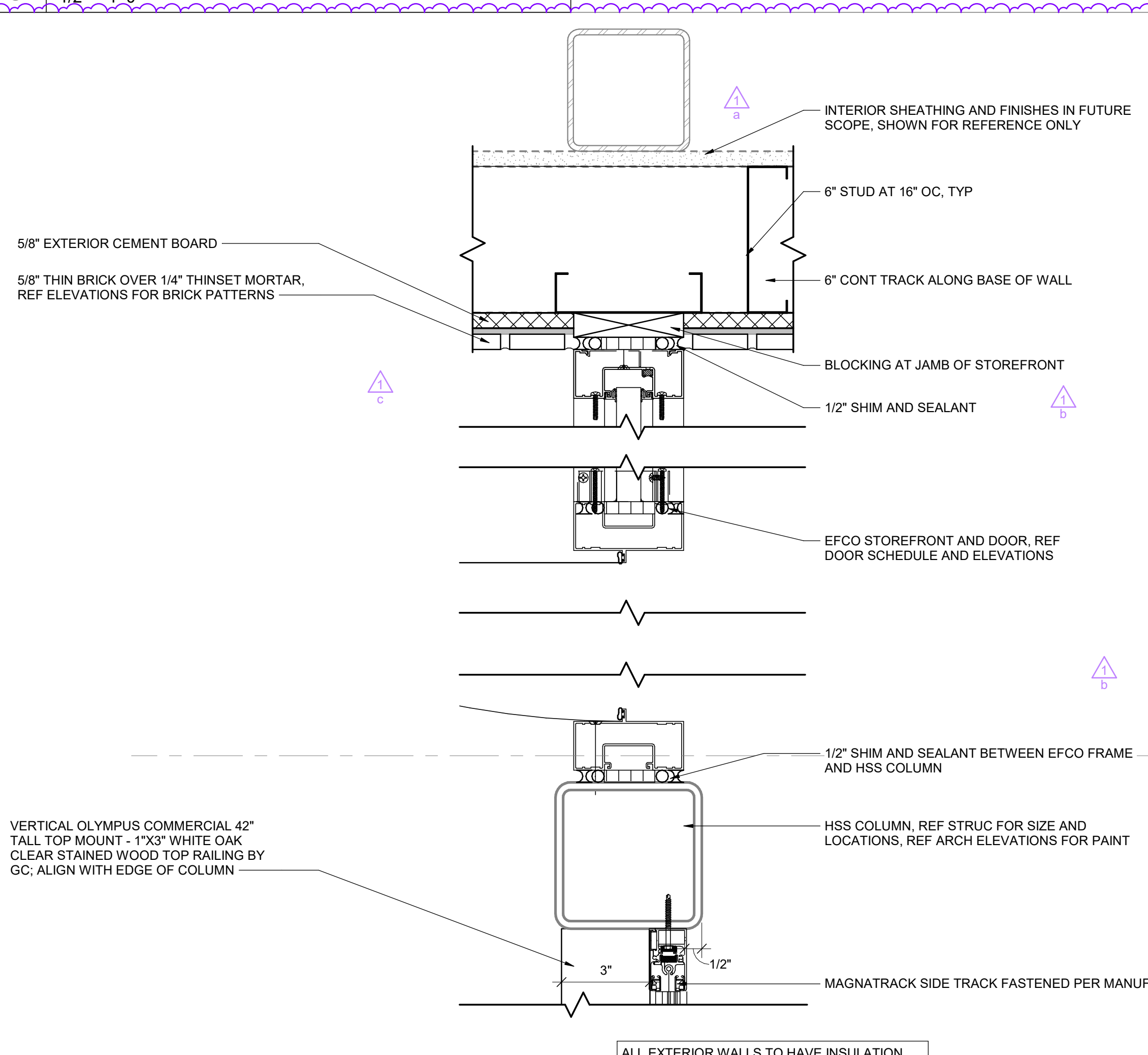
9 LOW WALL REINFORCEMENT
3" = 1'-0"



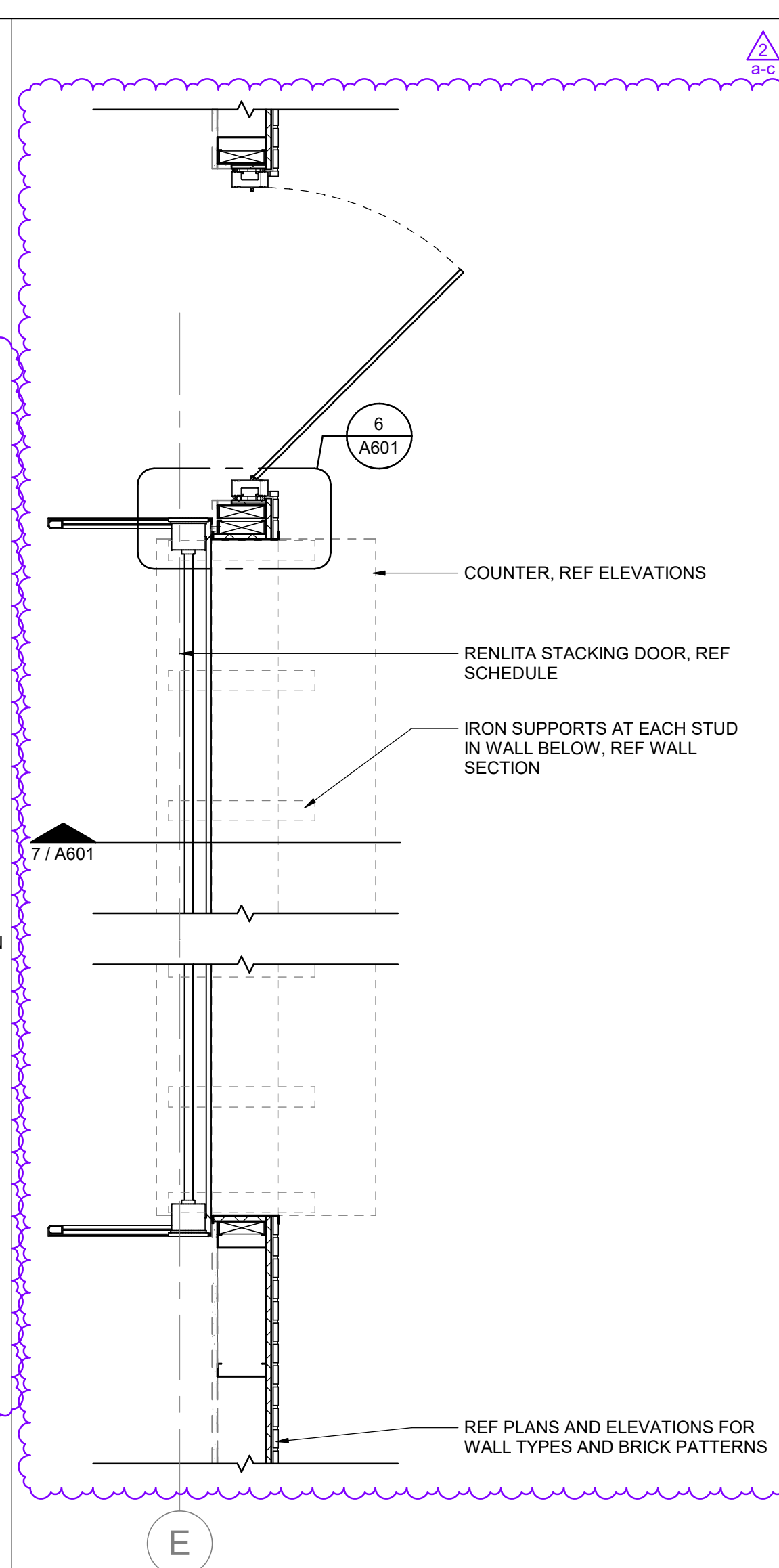
7 GARAGE DOOR SECTION
3/4" = 1'-0"



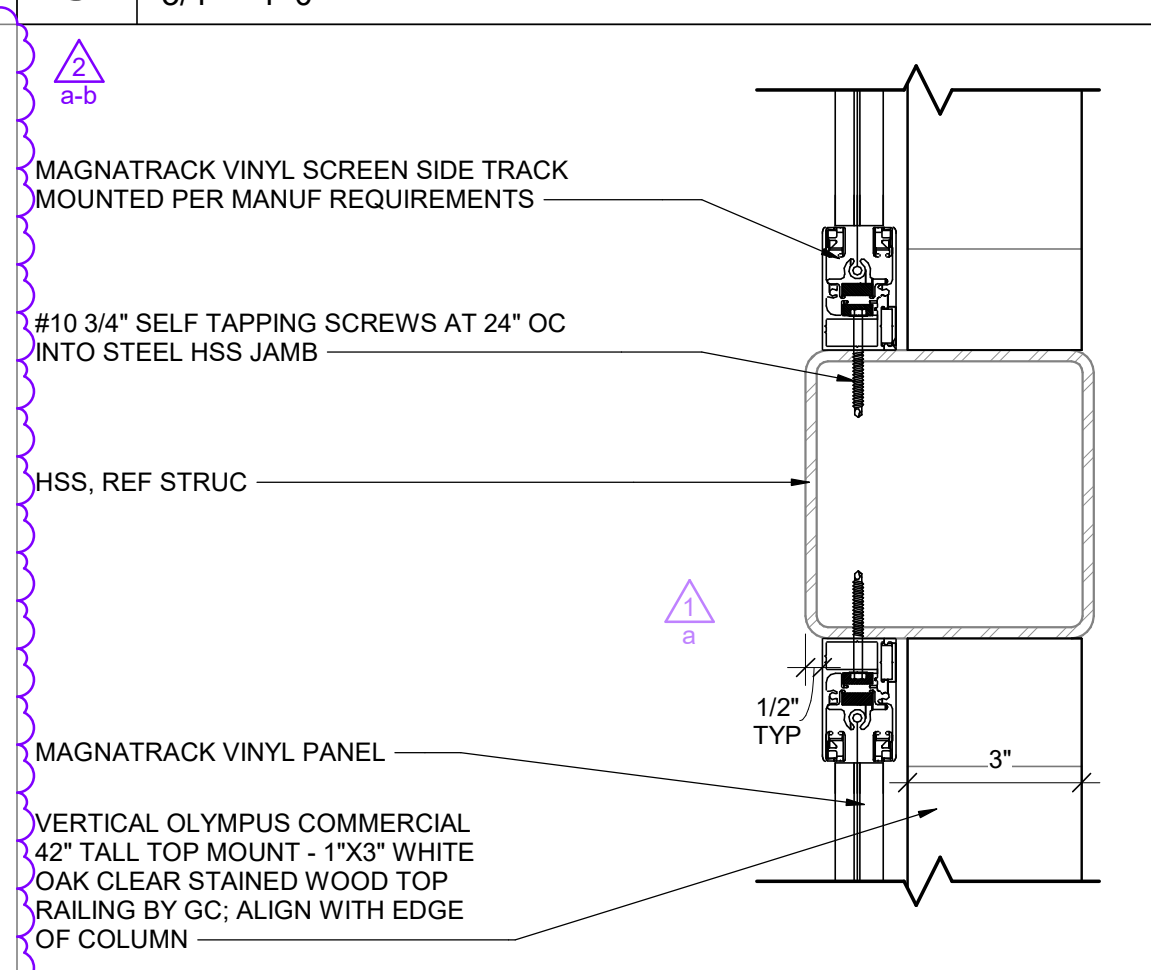
8 GARAGE DOOR ELEVATION
1/2" = 1'-0"



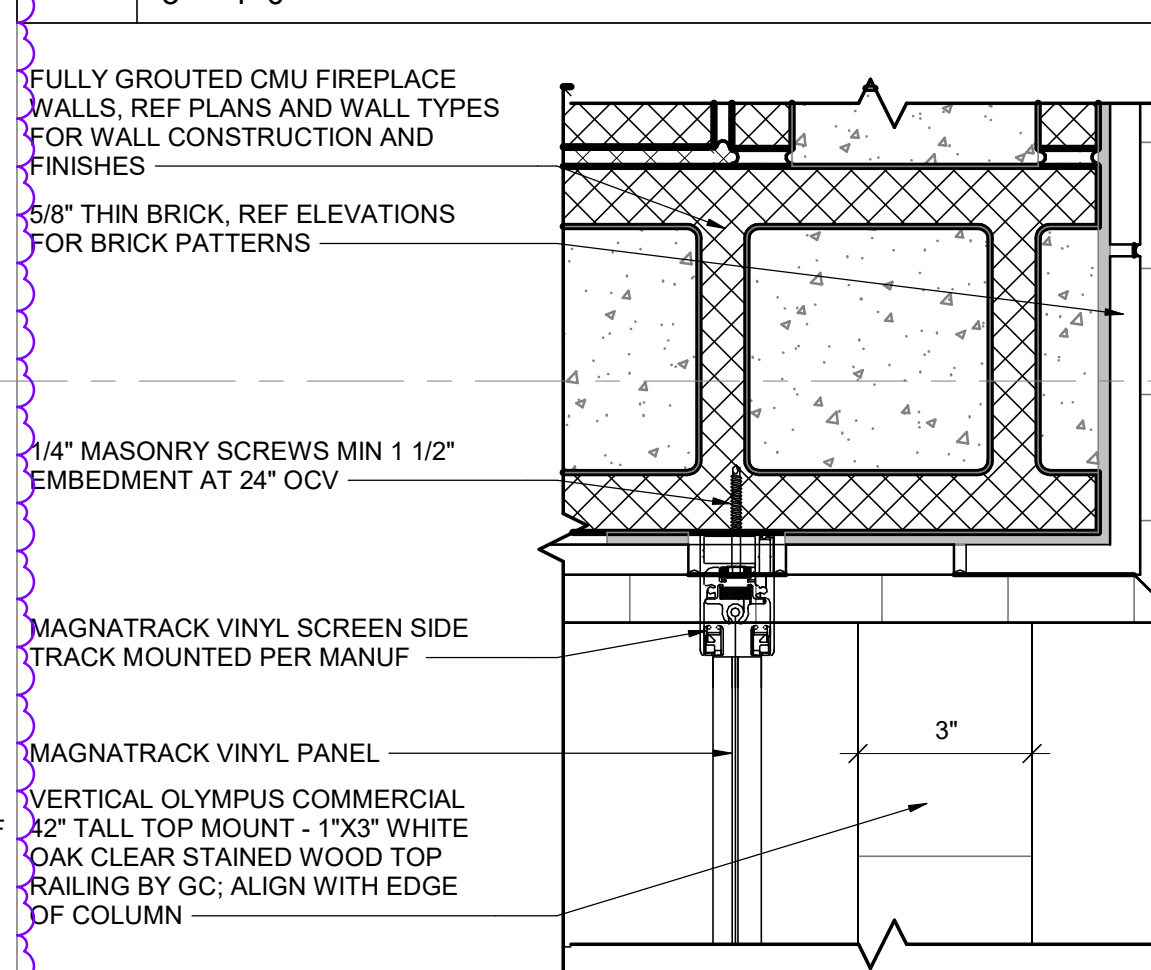
4 PATIO EGRESS DOOR
3" = 1'-0"



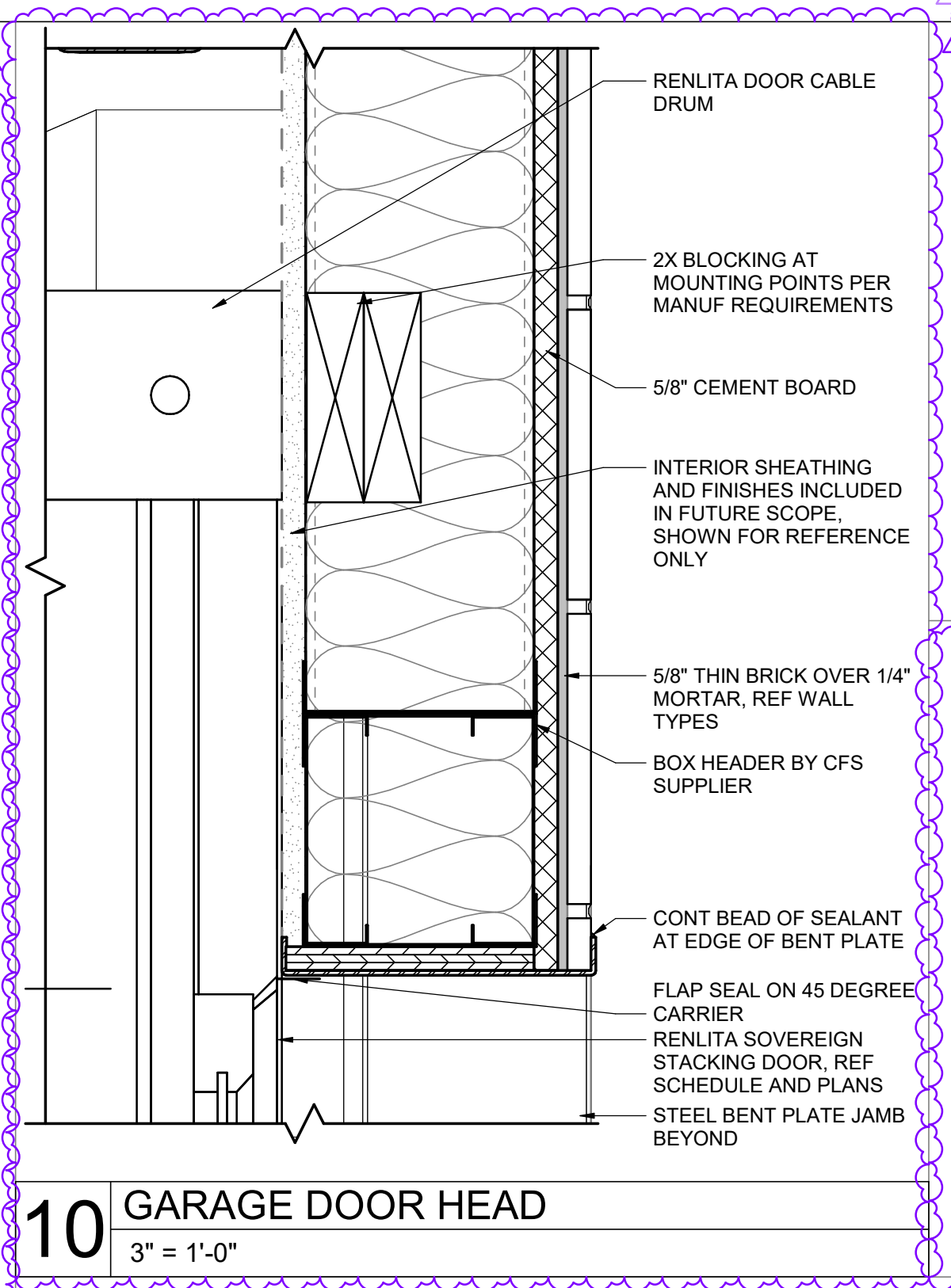
5 GARAGE DOOR PLAN
3/4" = 1'-0"



3 VINYL WALL RAILS AT COLUMN
3" = 1'-0"

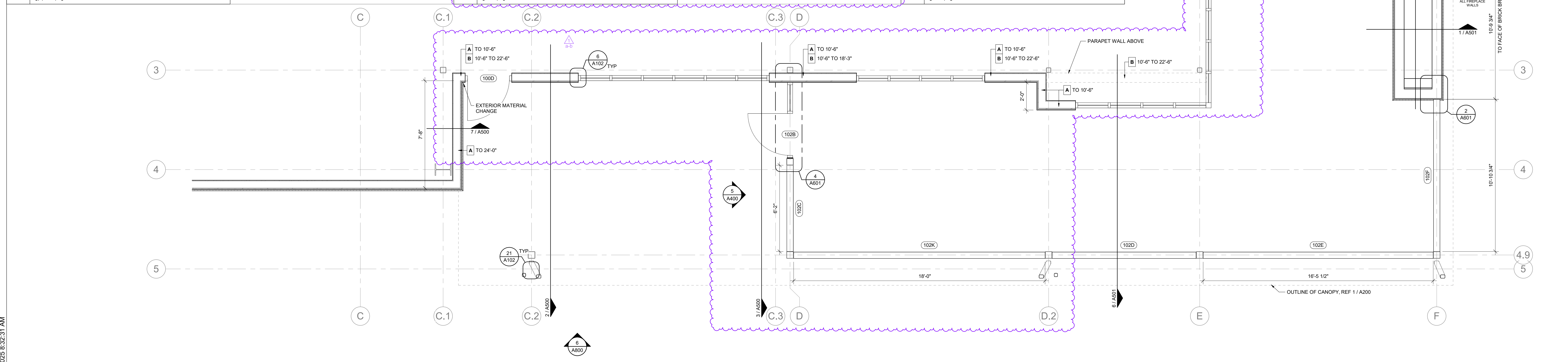


2 MAGNATRACK AT FIREPLACE
3" = 1'-0"



10 GARAGE DOOR HEAD
3" = 1'-0"

- SHEET NOTES**
1. ALL INTERIOR AND EXTERIOR PLAN DIMENSIONS ARE TO FACE OF FINISH, UNLESS NOTED OTHERWISE.
 2. ALL JOINTS BETWEEN DISSIMILAR MATERIALS SHALL BE SEALED AS REQUIRED FOR A COMPLETE AND PROPER INSTALLATION, REGARDLESS OF WHETHER SHOWN ON THE DRAWINGS OR INDICATED IN THE SPECIFICATIONS. SUCH JOINTS NOT SHOWN OR SCHEDULED SHALL BE SEALED WITH SEALANTS CONSISTENT WITH SPECIFIED MATERIALS OR AS RECOMMENDED BY THE MANUFACTURER FOR THE SPECIFIC APPLICATION.
 3. INTERIOR FINISH OF EXTERIOR STUD WALLS TO BE INCLUDED IN FUTURE SCOPE UNDER A SEPARATE PERMIT.
 4. ALL SCOLLARS, RAILS, BARRIERS, OR GUARDS ARE USED ONLY TO PROVIDE VISUAL CUES SEPARATING PEDESTRIAN, EQUIPMENT, AND VEHICLE AREAS AND ARE NOT INTENDED TO COMPLY WITH ASCE, ASTM F3016, ASTM F2056, OR ANY PROVISION ESTABLISHING, TESTING, OR RATING REQUIREMENTS FOR VEHICLE IMPACT.
 5. REFERENCE DOOR AND WINDOW INFORMATION FOR ADDITIONAL INFORMATION.
 6. LOCATE INTERIOR DOORS 4" OFF ADJACENT WALL BEHIND HINGE, UNLESS NOTED OTHERWISE.
 7. NO SUBSTITUTIONS OR EXCEPTIONS ALLOWED WHERE SPECIAL FRAMING IS REQUIRED FOR 3" STUDS SPANNING FLOOR TO DECK, REFERENCE LEGEND FOR REQUIREMENTS AND LOCATION.
 8. PROVIDE R25 BATT INSULATION IN EXTERIOR WALLS PER COMCHECK REPORT.



1 ENLARGED PATIO PLAN
3/8" = 1'-0"

ARCHITECT OF RECORD
brr
BRR ARCHITECTURE INC.
1511 METCAL AVENUE
SUITE 200
OVERLAND PARK, KS 66204
WWW.BRRARCH.COM
TEL: 913.263.9666
FAX: 913.263.9444

CLIENT
PROJECT TITLE

Q39 (SHELL)
LEE'S SUMMIT, MO
OLDHAM VILLAGE

PROJECT NUMBER: 62500002
PROJECT MANAGER: TM
DRAWN BY: ND
CHECKED BY: [Signature]
PROFESSIONAL SEAL: [Seal]

10/13/2025

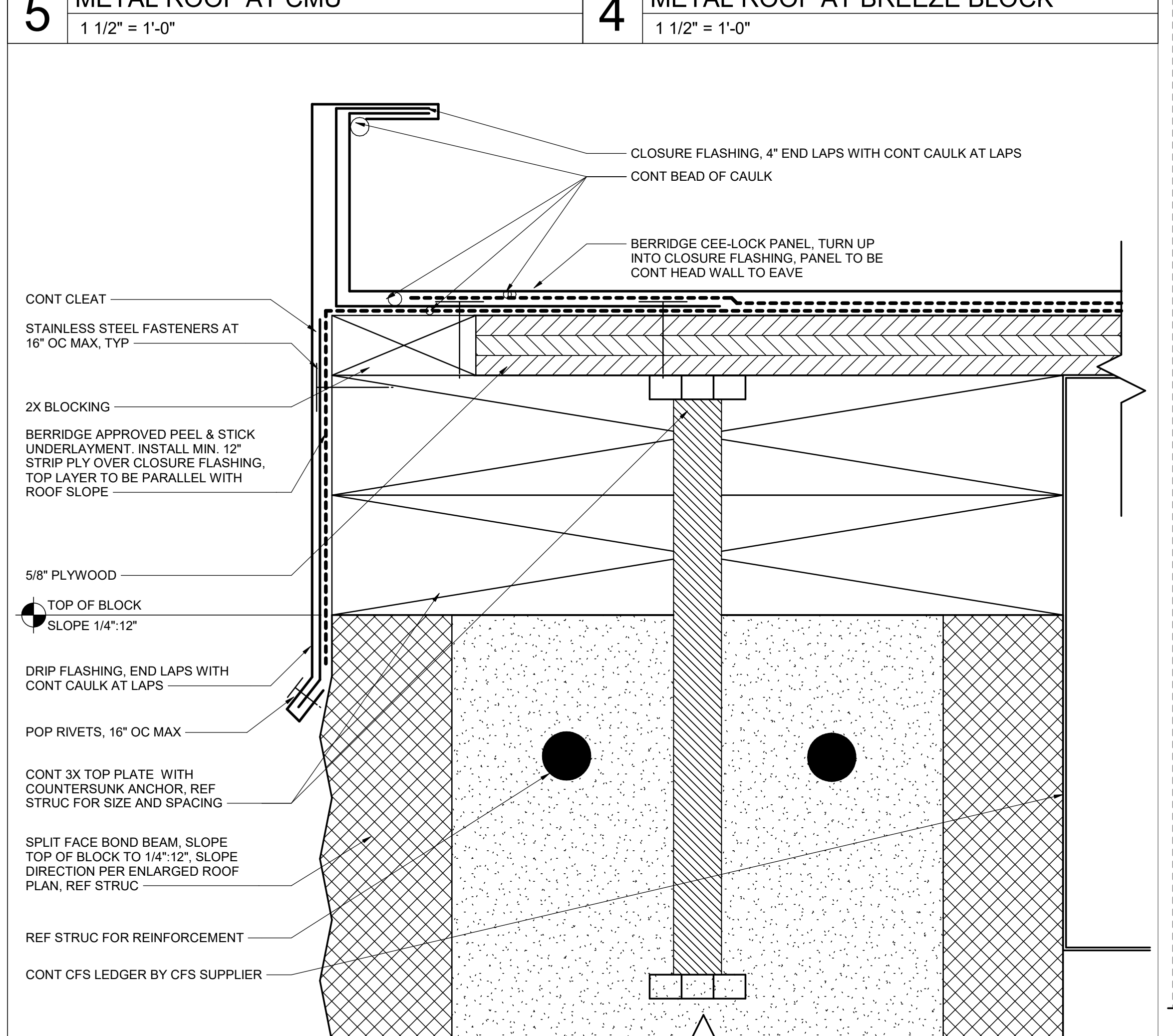
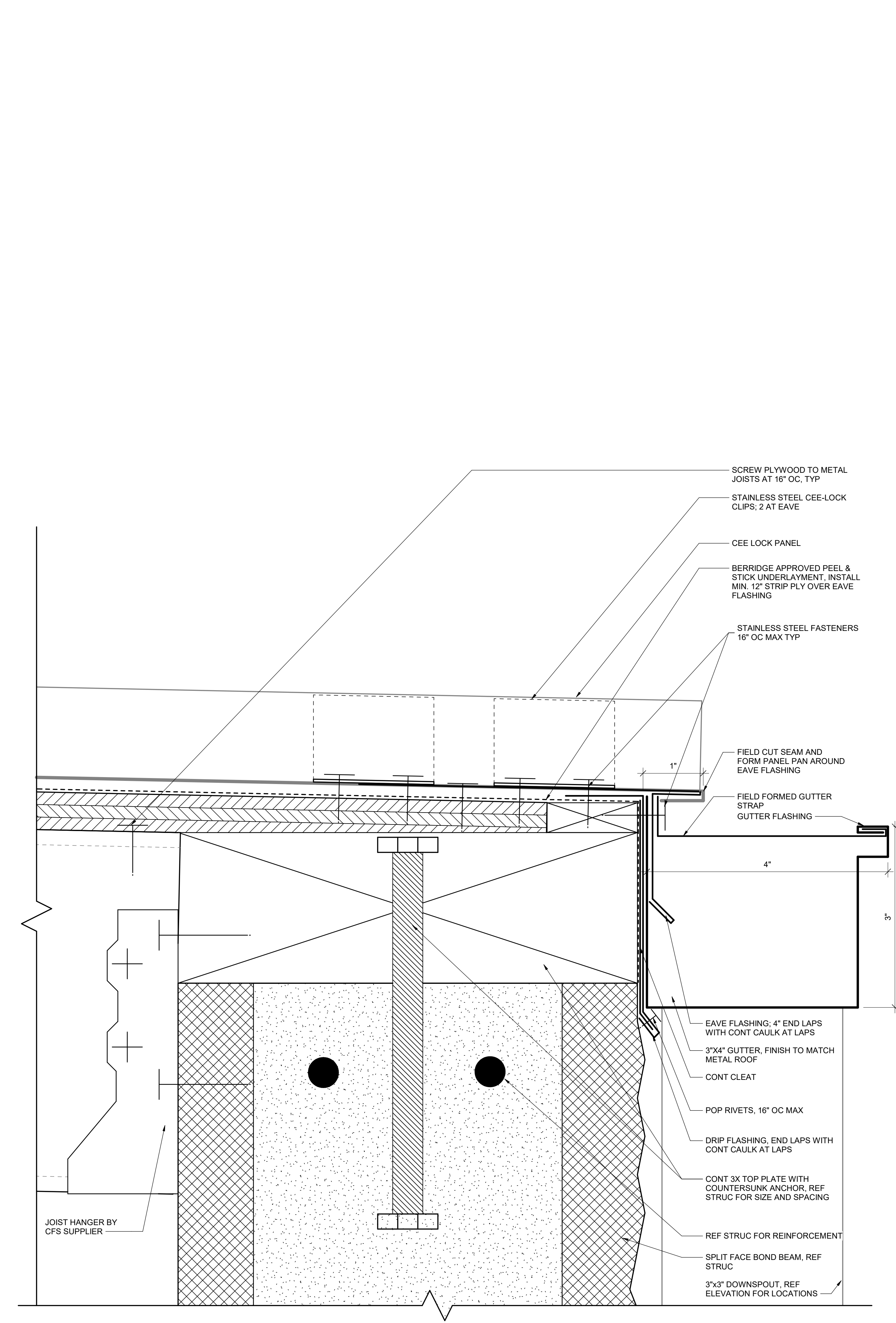
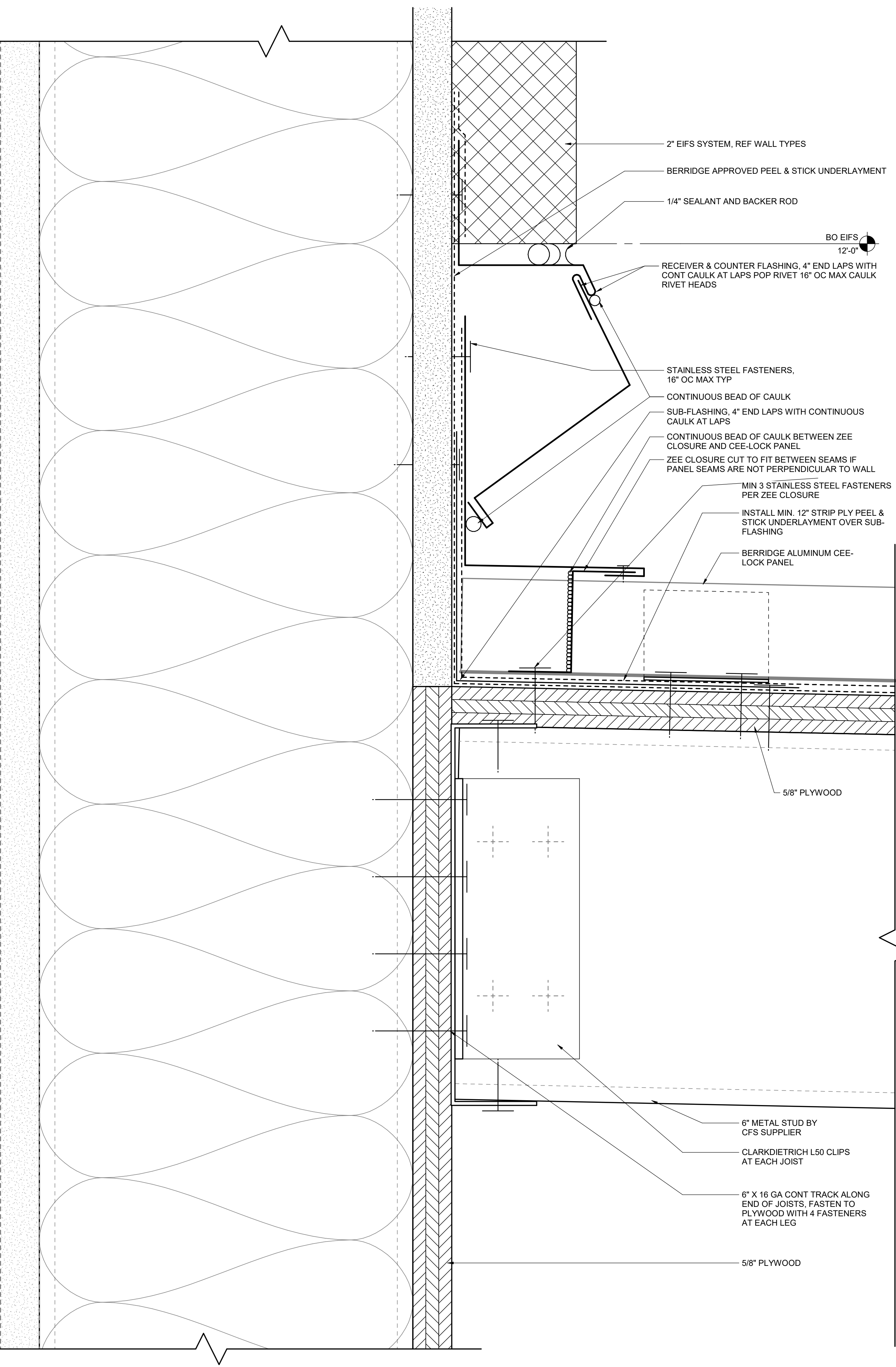
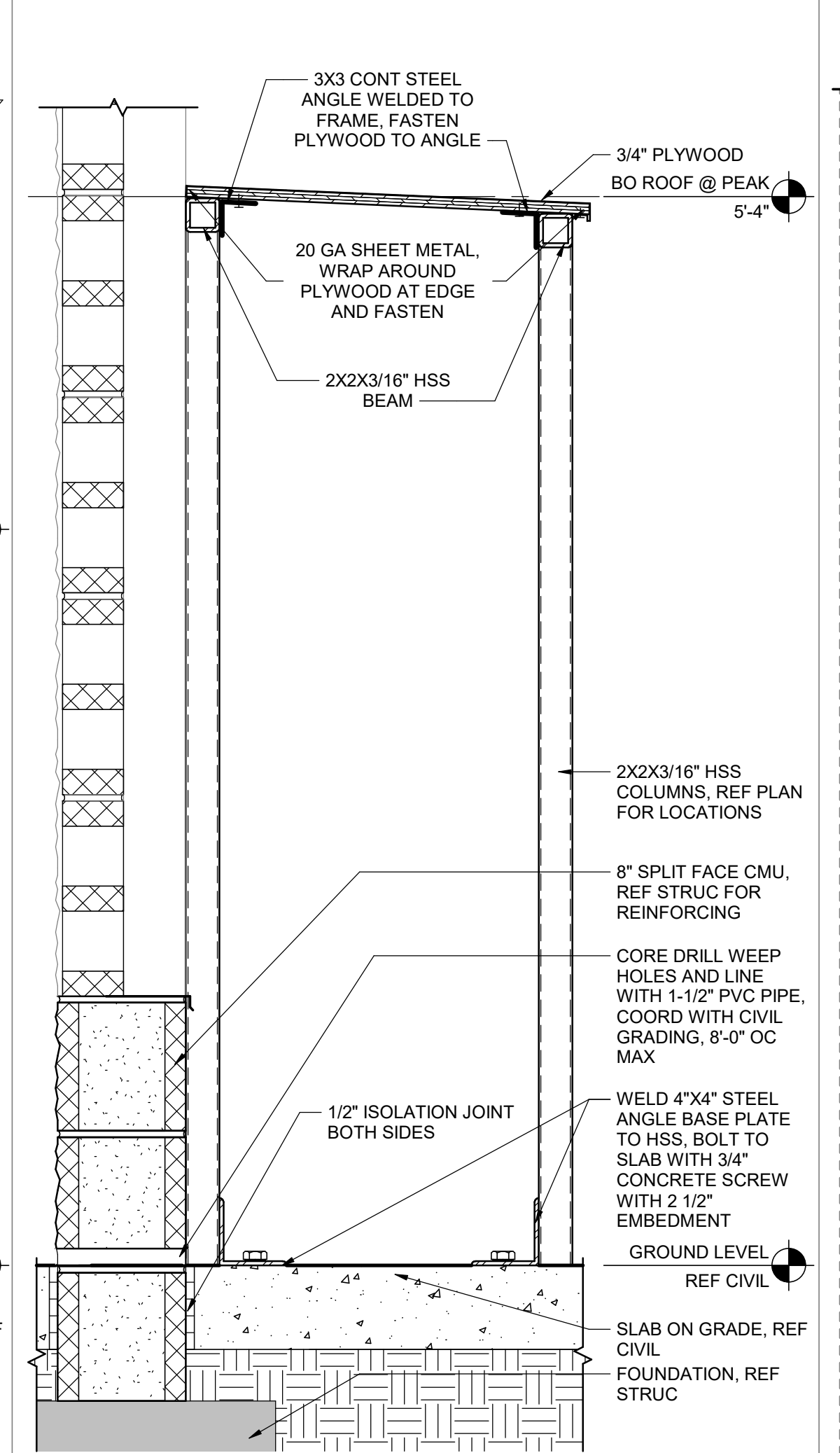
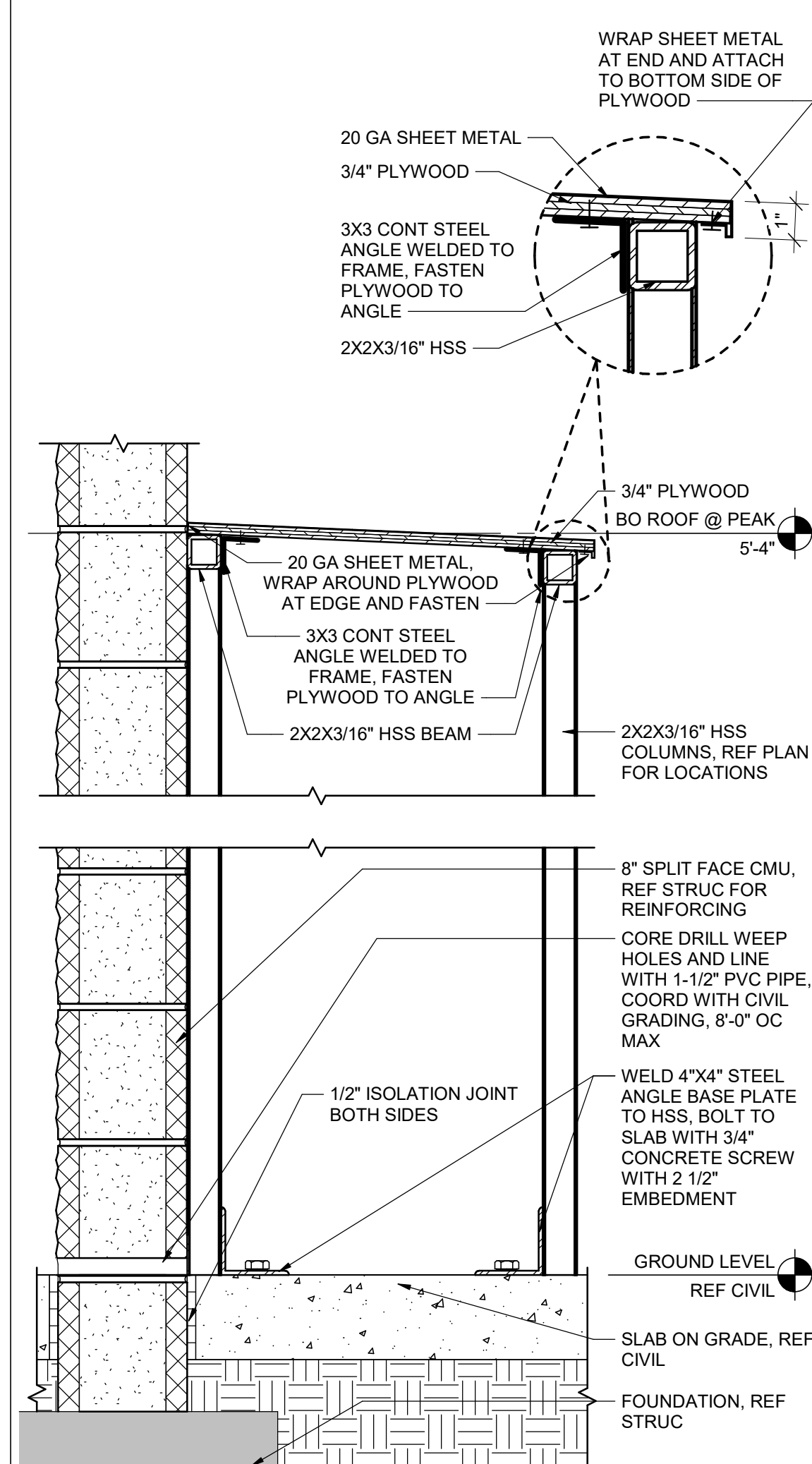
ISSUES AND REVISIONS

NUMBER	DATE	DESCRIPTION
1	10/13/2025	ORIGINAL ISSUE
2	10/13/2025	ADDITIONAL 1
3	10/13/2025	ADDITIONAL 2

ENLARGED PATIO PLAN AND DETAILS
SHEET NUMBER: **A601**

10/13/2025 8:23:31 AM

Q39 (SHELL)
LEE'S SUMMIT, MO
 OLDHAM VILLAGE



NOTE: DETAILS SHOWN FOR REFERENCE. INSTALL BERRIDGE CEE-LOCK ELEMENTS PER MANUFACTURER DETAILS AND REQUIREMENTS, TYP

PROJECT NUMBER: 62500002
 PROJECT MANAGER: TM
 DRAWN BY: ND
 CHECKED BY: C.T.J.
 PROFESSIONAL SEAL:



COPYRIGHT NOTICE
 THIS DRAWING WAS PREPARED FOR USE ON A SPECIFIC SITE. CONTRACTORS SHALL VERIFY ALL DIMENSIONS AND CONDITIONS PRIOR TO USE ON A DIFFERENT PROJECT SITE OR AT A LATER TIME. USE OF THIS DRAWING FOR ANY OTHER PROJECT WITHOUT THE WRITTEN PERMISSION OF BRR ARCHITECTURE INC. IS PROHIBITED. BRR ARCHITECTURE INC. ACCEPTS NO LIABILITY FOR ANY DAMAGES OR LOSSES, INCLUDING LITIGATION COSTS, ARISING FROM THE USE OF THIS DRAWING FOR ANY OTHER PROJECT.

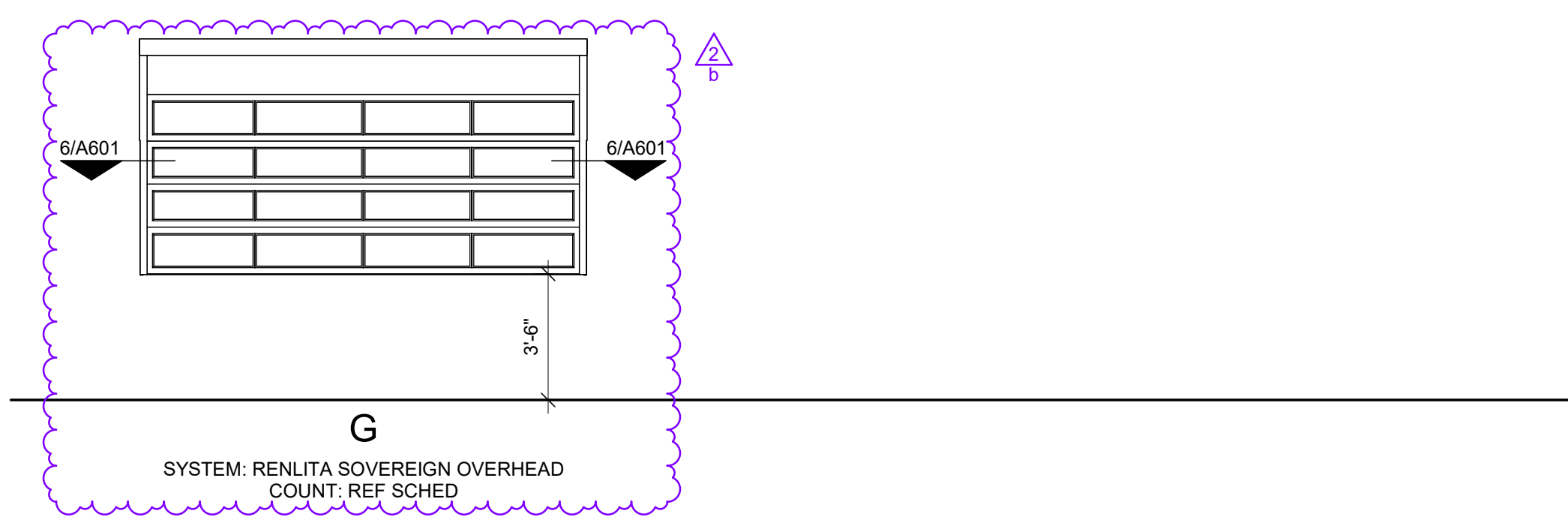
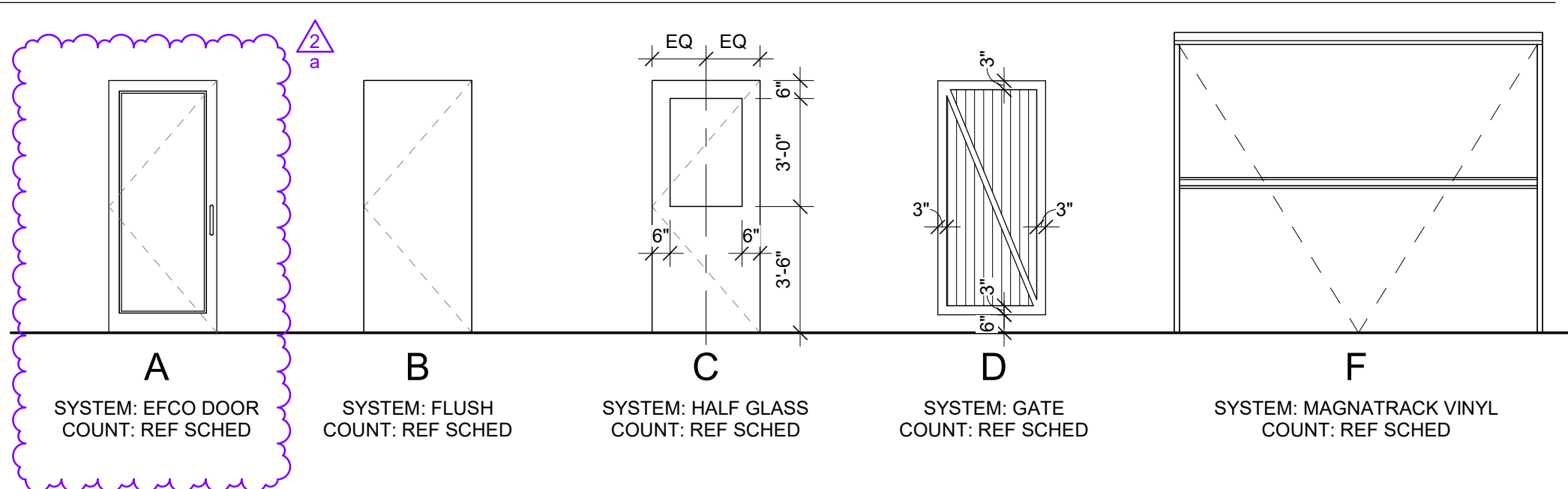
ISSUES AND REVISIONS

NUMBER	DATE	REVISION	DESCRIPTION
1	6/24/2025	REVISION	ADDITIONAL 1

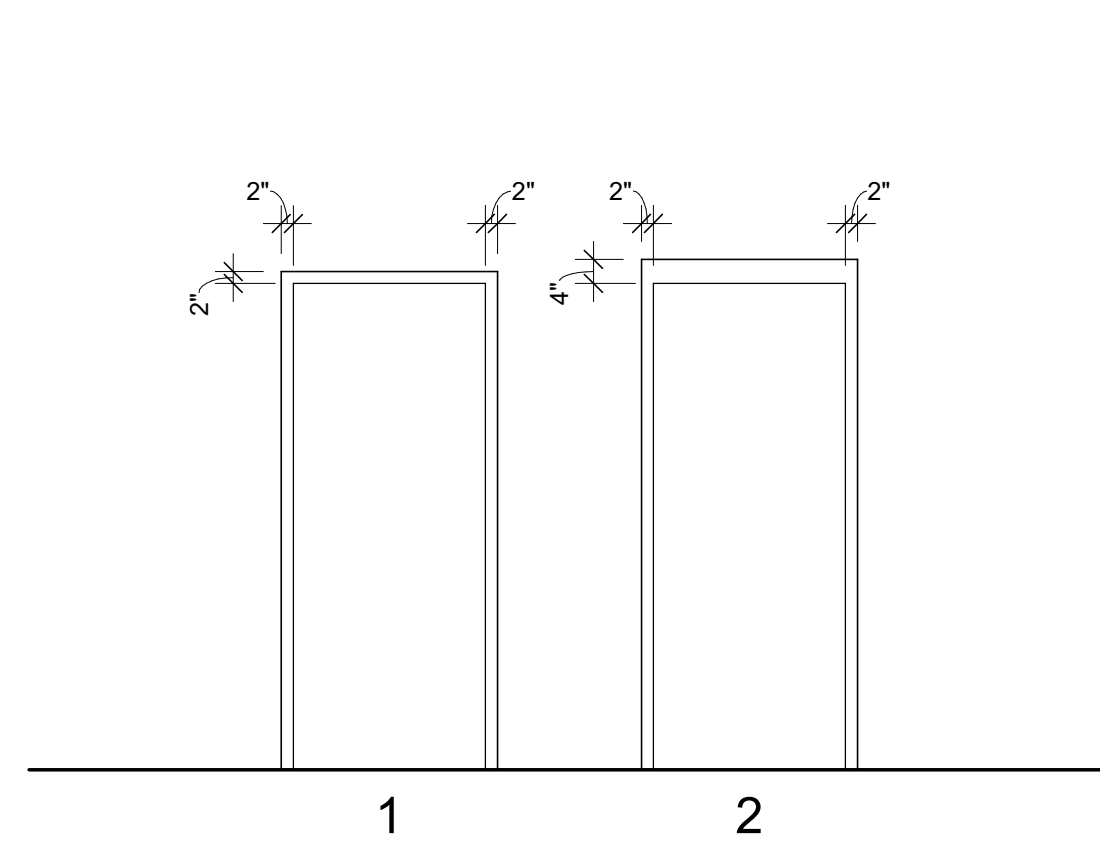
SHEET NAME: ENLARGED STORAGE ROOF PLAN AND DETAILS
 SHEET NUMBER: A602

6/20/2025 3:52:21 PM

DOOR TYPES



FRAME TYPES



HARDWARE SCHEDULE

Hardware schedule table with columns: QTY, ITEM, MANUFACTURER, MODEL. Includes sets 1.0 through 10.0 listing various door hardware components like hinges, lockers, and gaskets.

DOOR SCHEDULE

Door schedule table with columns: MARK, ROOM, TYPE, QUANTITY, OVERALL DIMENSIONS (width, leaf width, height), MATERIAL, TYPE, MATERIAL, HARDWARE, NOTE, DETAIL. Lists door specifications for various rooms.

MAGNATRACK SCHEDULE*

Magnatrack schedule table with columns: MARK, ROOM, TYPE, QUANTITY, DIMENSIONS (width, height), MATERIAL, TYPE, MATERIAL, HARDWARE, NOTE, DETAIL. Lists magnatrack door specifications.

SCHEDULE NOTES

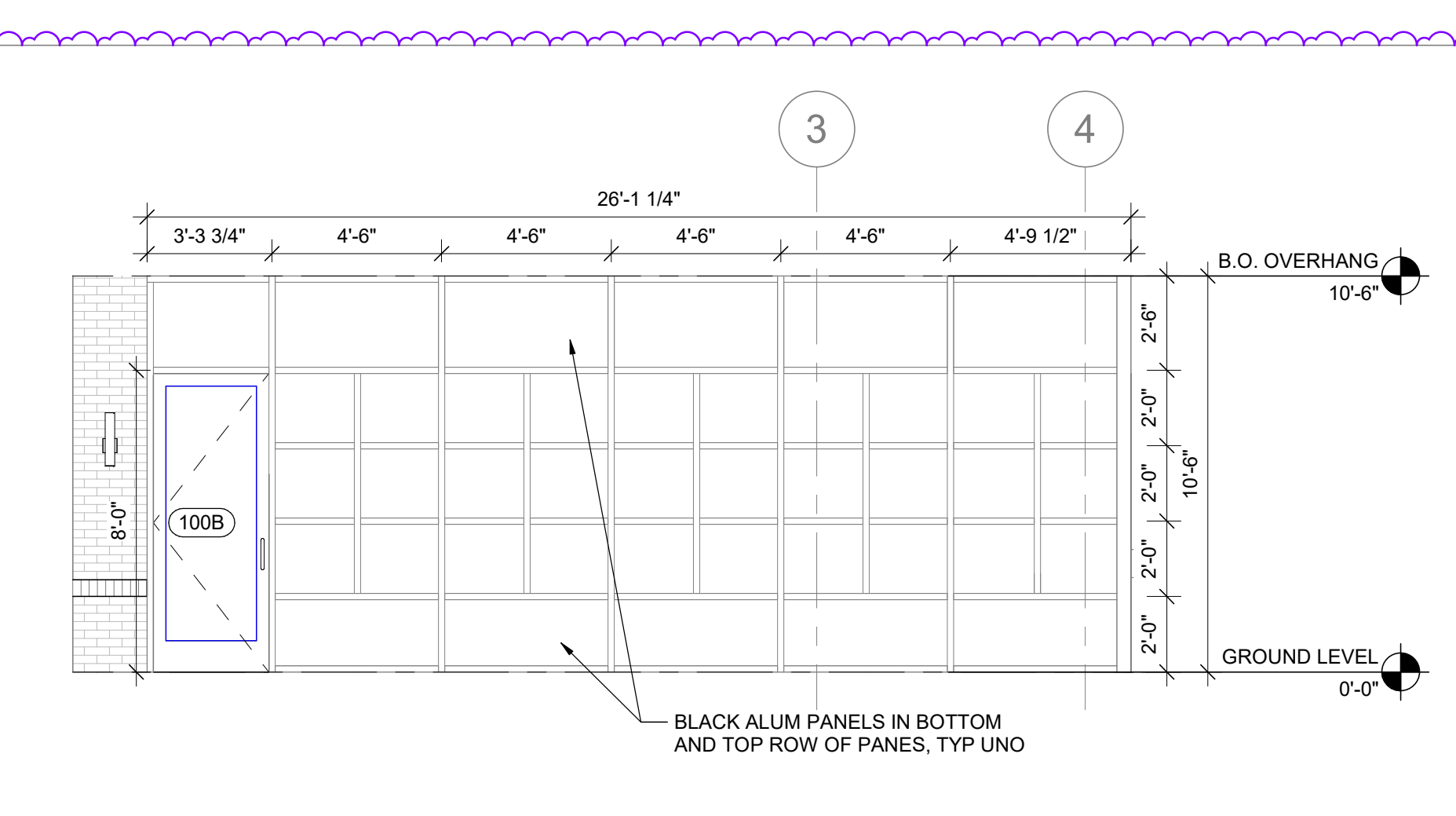
- 1. GC TO ADJUST HARDWARE SET QUANTITY FOR LOCATIONS WHERE OPENING CALLS FOR A PAIR OF DOORS
2. COMMERCIAL ROLL DOWN VINYL DOOR BY MAGNATRACK, REF MANUFACTURER FOR MORE INFORMATION
3. THERMALLY BROKEN FRAME, FULL GASKETED, LOCKABLE DOOR WITH PANIC HARDWARE, REF HARDWARE SCHEDULE
4. LOCKABLE WITH A KEY ONLY, NO THUMB TURN
5. DOOR TYPE D IS A CUSTOM MADE STEEL GATES TO MATCH TRASH ENCLOSURE DOORS
6. 1/2" INSULATED GLAZING PER MANUFACTURER OPTION
7. SERIES D002 STOREFRONT DOOR BY EFCO, REF MANUFACTURER FOR MORE INFO AND INSTALLATION INFORMATION

GLAZING NOTES

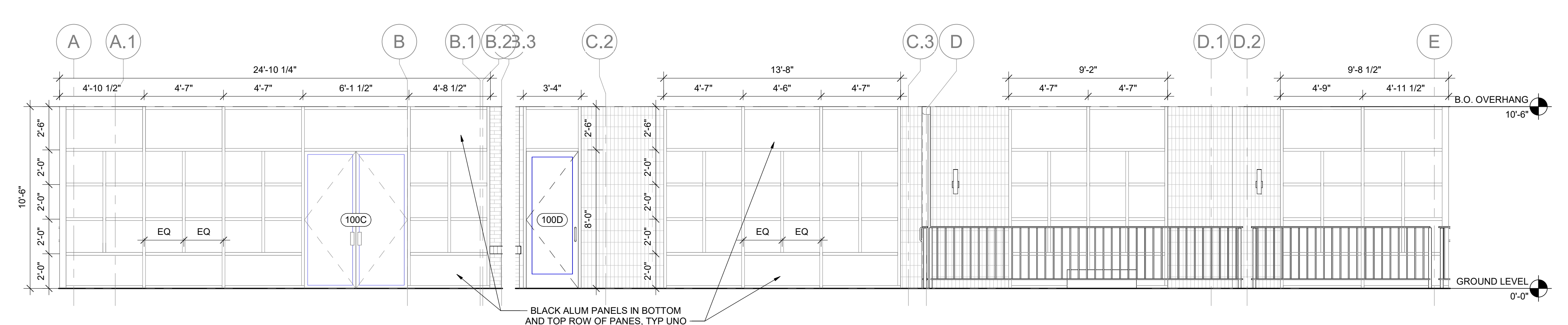
- 1. PROVIDE TEMPERED GLAZING ALL LOCATIONS, UNO
2. CENTER GLAZING SYSTEMS ON WALL DEPTH, UNO
3. 1/4" GLASS THICKNESS, UNO

HARDWARE NOTES

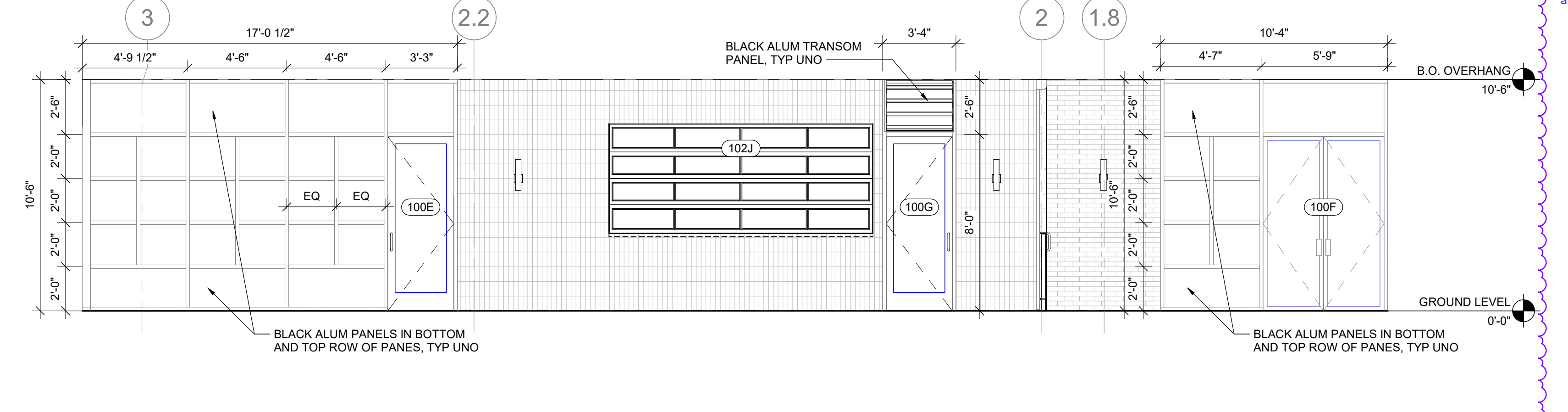
- 1. INSTALL HARDWARE IN COMPLIANCE WITH ADA REGULATIONS



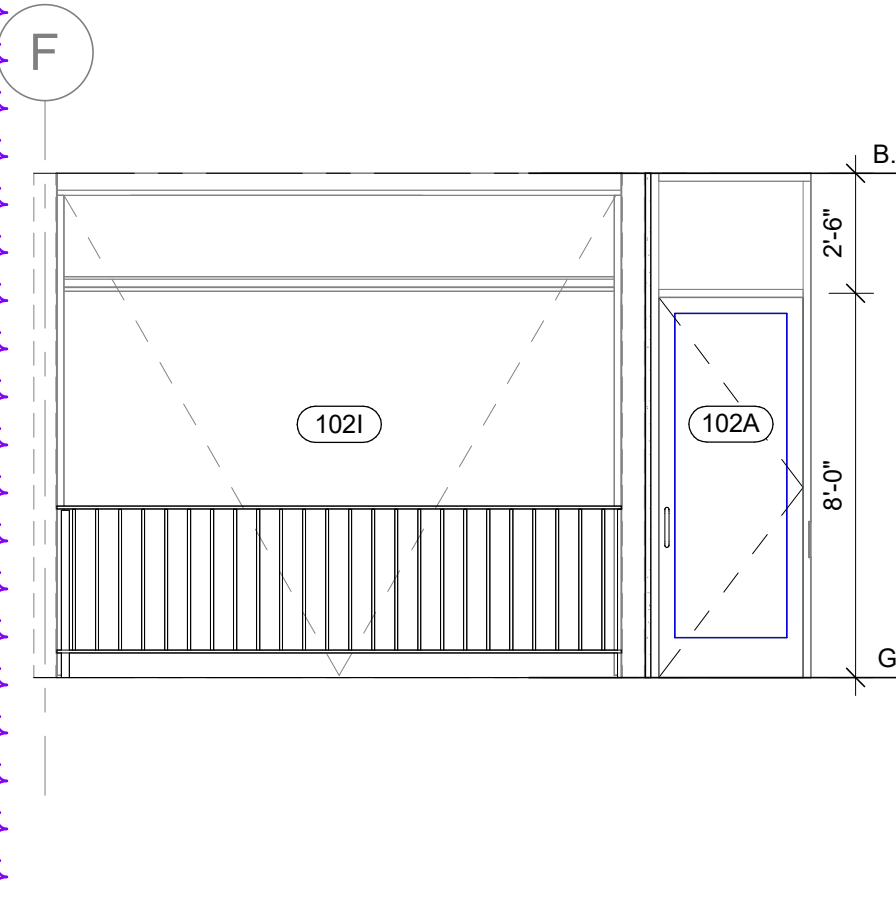
7 WEST STOREFRONT ELEVATION 1/4" = 1'-0"



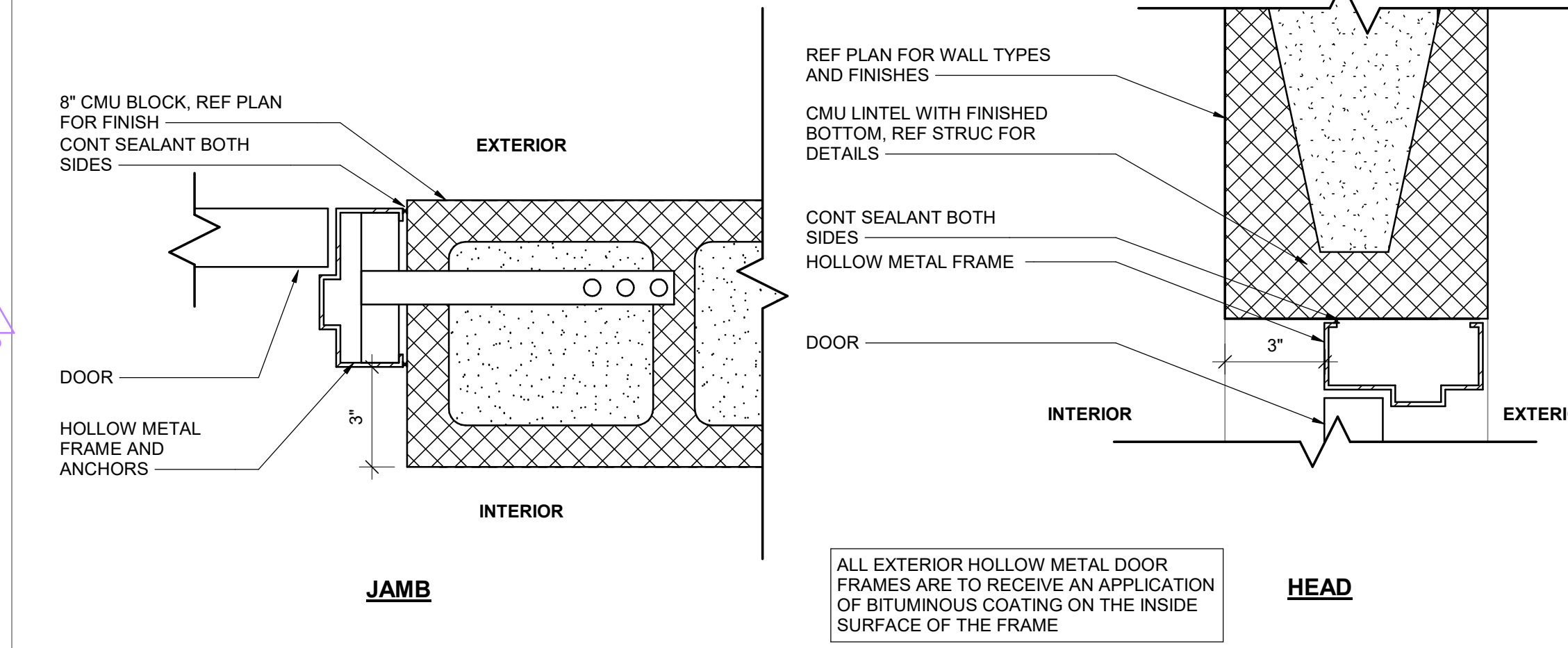
6 SOUTH STOREFRONT ELEVATION 1/4" = 1'-0"



5 EAST STOREFRONT ELEVATION 1/4" = 1'-0"



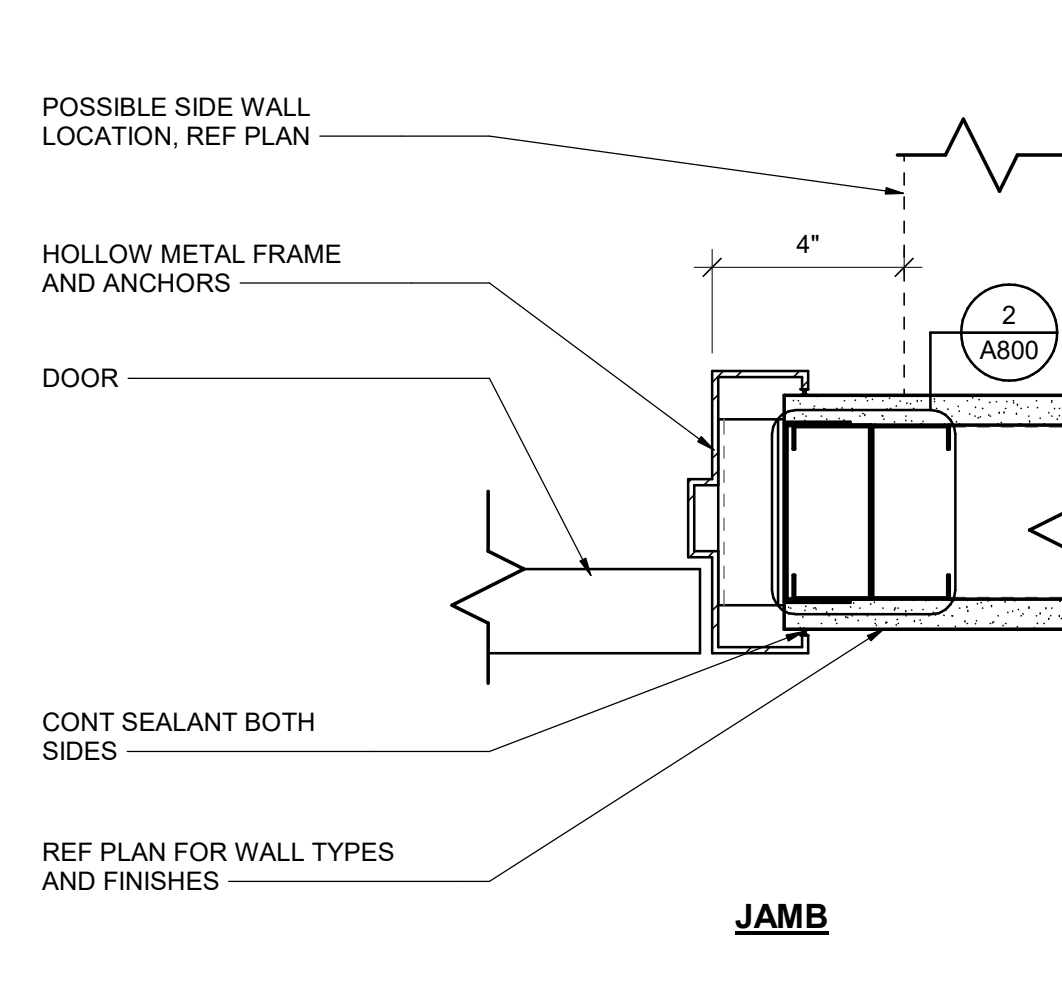
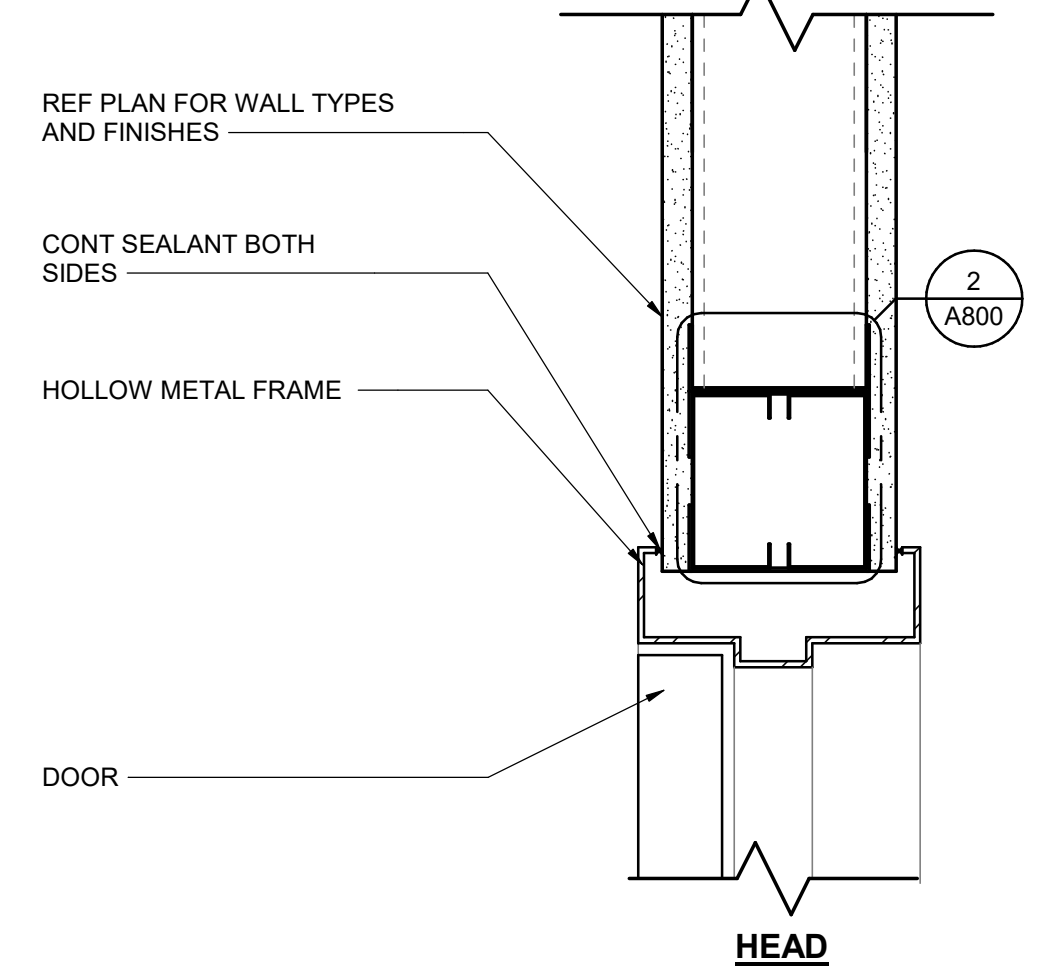
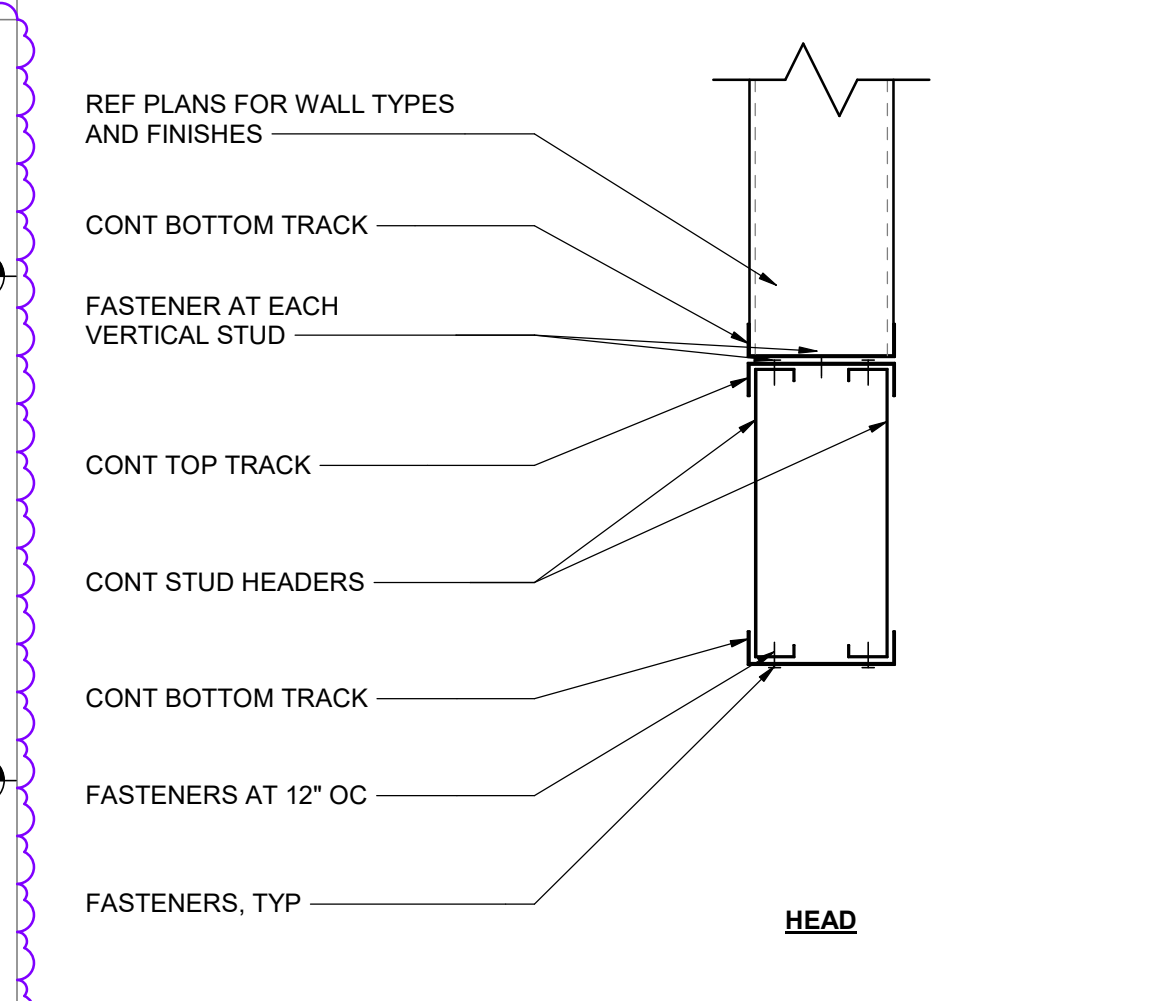
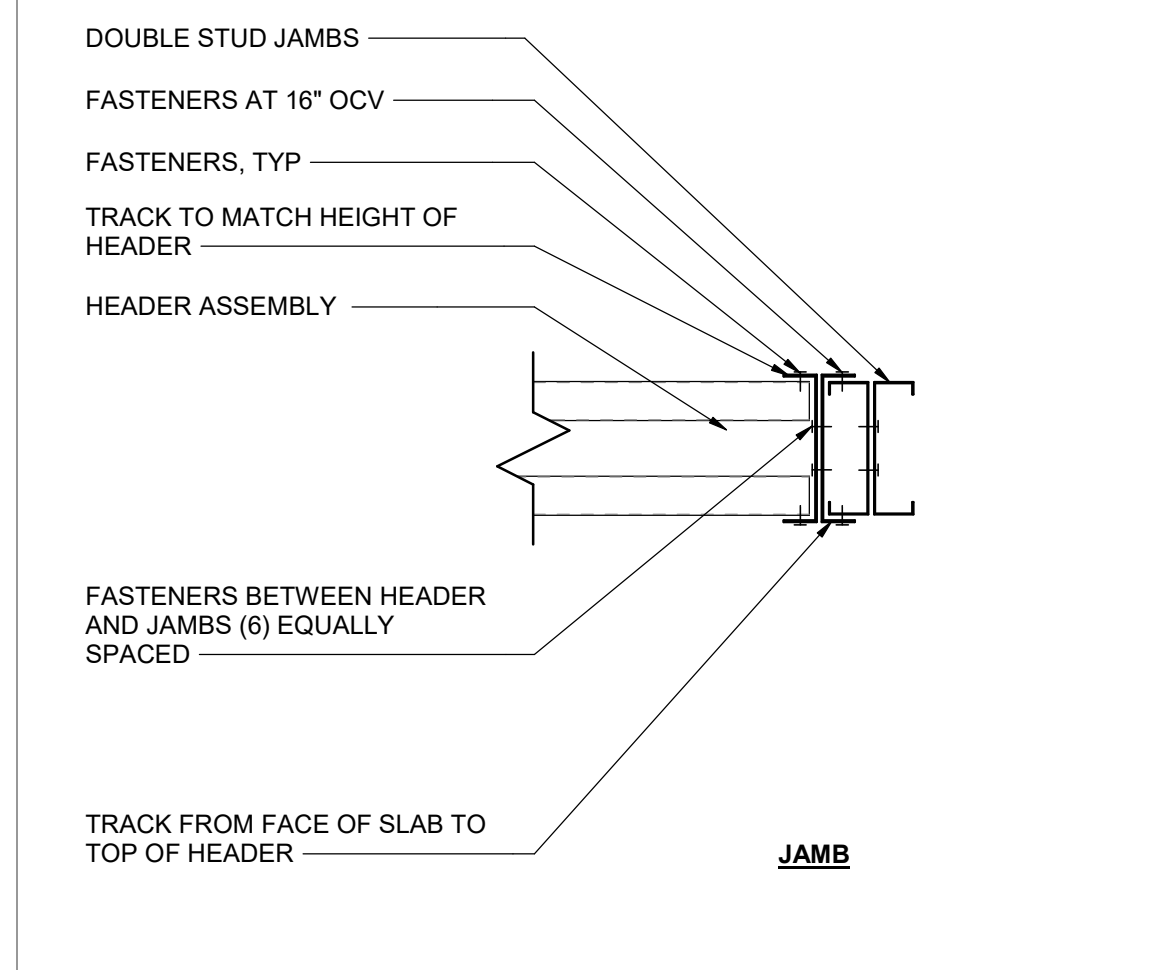
4 NORTH STOREFRONT ELEVATION 1/4" = 1'-0"



3 HM FRAME AT CMU 3' = 1'-0"

FRAMING NOTES

- 1. CFS HEADERS TO BE ENGINEERED, COORDINATED, AND SUPPLIED BY OTHERS, TYP



1 FRAME AT HM 3' = 1'-0"

Project information including: ARCHITECT OF RECORD (brr), PROJECT TITLE (LEE'S SUMMIT, MO), PROJECT NUMBER (62500002), PROJECT MANAGER (TM), DRAWN BY (ND), CHECKED BY, PROFESSIONAL SEAL (MAX ECKHARDT, STATE OF MISSOURI), DATE (10/13/2025), COPYRIGHT NOTICE, ISSUES AND REVISIONS table, SHEET NAME (DOOR AND WINDOW INFORMATION), and SHEET NUMBER (A800).

SCHEDULE OF SPECIAL INSPECTION SERVICES - 1705.2.1 STRUCTURAL STEEL. Table with columns: Item, Sub Item / Scope, Extent (Observe, Perform, N/A), Agency Qualifications, Comments.

SCHEDULE OF SPECIAL INSPECTION SERVICES - 1705.2.2 COLD FORMED STEEL DECK. Table with columns: Item, Sub Item / Scope, Extent (Observe, Perform, N/A), Agency Qualifications, Comments.

SCHEDULE OF SPECIAL INSPECTION SERVICES - 1705.2.3 OPEN WEB STEEL JOISTS AND JOIST GIRDERS. Table with columns: Item, Sub Item / Scope, Extent (Cont., Periodic, N/A), Agency Qualifications, Comments.

SCHEDULE OF SPECIAL INSPECTION SERVICES - 1705.6 SOILS. Table with columns: Item, Sub Item / Scope, Extent (Cont., Periodic, N/A), Agency Qualifications, Comments.

SCHEDULE OF SPECIAL INSPECTION SERVICES - 1705.3 CONCRETE CONSTRUCTION. Table with columns: Item, Sub Item / Scope, Extent (Cont., Periodic, N/A), Agency Qualifications, Comments.

SCHEDULE OF SPECIAL INSPECTION SERVICES - 1705.4 MASONRY CONSTRUCTION (LEVEL 2). Table with columns: Item, Sub Item / Scope, Extent (Cont., Periodic, N/A), Agency Qualifications, Comments.

Q39 (SHELL) LEE'S SUMMIT, MO OLDHAM VILLAGE

PROJECT NUMBER: 62910099. PROJECT MANAGER: DDA. DRAWN BY: GJB. CHECKED BY:



COPYRIGHT NOTICE: THIS DRAWING WAS PREPARED FOR USE ON A SPECIFIC DATE. CONTAINED HEREIN IS THE PROPERTY OF BRR ARCHITECTURE INC. ANY REUSE OR MODIFICATION OF THIS DRAWING WITHOUT THE WRITTEN CONSENT OF BRR ARCHITECTURE INC. IS PROHIBITED.

ISSUES AND REVISIONS table with columns: NUMBER, DATE, REVISION, ORIGINAL ISSUE, DESCRIPTION.

SHEET NAME

SPECIAL INSPECTIONS

SHEET NUMBER

S002

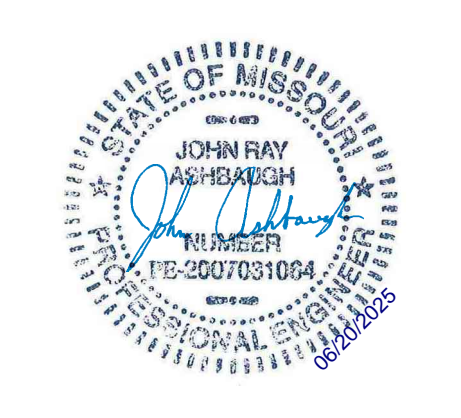
STRUCTURAL ENGINEERS 800.542.3302 schaefer-inc.com

schaefer

COPYRIGHT 2025. ALL RIGHTS RESERVED. THE PRODUCT AND EXCLUSIVE PROPERTY OF SCHAEFER ENGINEERS. NO PART OF THIS DOCUMENT MAY BE REPRODUCED OR TRANSMITTED IN ANY FORM OR BY ANY MEANS, ELECTRONIC OR MECHANICAL, WITHOUT THE WRITTEN CONSENT OF SCHAEFER ENGINEERS. SHEETS: Project Number: 24-1021



Q39 (SHELL)
LEE'S SUMMIT, MO
 OLDHAM VILLAGE



COPYRIGHT NOTICE
 THIS DRAWING WAS PREPARED FOR USE ON A SPECIFIC SITE. CONTRACTORS SHALL VERIFY THE DATA AND TO NOT BE HELD FOR USE ON A DIFFERENT PROJECT SITE OR AT A LATER TIME. USE OF THE INFORMATION CONTAINED HEREIN IS AT THE USER'S RISK. THE SERVICES OF PROPRIETOR LICENSED ARCHITECTS AND ENGINEERS REPRESENTED BY THIS DRAWING FOR USE ON ANOTHER PROJECT IS NOT AUTHORIZED AND MAY BE CONTRARY TO THE LAW.
 BRR DOES NOT GUARANTEE THAT DATA IS NEAR SUFFICIENT OR APPROPRIATE FOR USER'S PURPOSES. USER USES OR ALTERS THESE FILES AT USER'S SOLE RISK AND AGREES TO HOLD BRR FROM LIABILITY ARISING FROM USER'S USE.

ISSUES AND REVISIONS

NUMBER	DATE	DESCRIPTION
1	ISSUE	ORIGINAL ISSUE

CONCRETE MIXTURE REQUIREMENTS									
CLASS	DESCRIPTION	EXPOSURE CLASS			MINIMUM Fc AT 28 DAYS (PSI)	MAXIMUM w/c RATIO	AIR CONTENT	MINIMUM CEMENTITIOUS MATERIAL (LB/CY)	REMARKS
		F	S	W					
A	FOOTINGS	F0	S0	W0	C0	3000	--	--	--
B	FOUNDATION WALLS	F2	S0	W0	C1	4500	0.45	6% ± 1.5%	--
C1	INTERIOR SLABS-ON-GROUND	F0	S0	W0	C0	4000	--	3% MAX	540

CONCRETE MIXTURE NOTES:
 A. PROVIDE MIX DESIGNS IN ACCORDANCE WITH ACI 301-16 FOR SPECIFIED EXPOSURE CLASS AND AGGREGATE.
 B. NOMINAL MAX AGGREGATE SIZE = 3/4" UNLESS OTHERWISE NOTED
 C. ALL CONCRETE SHALL BE NORMAL WEIGHT UNLESS OTHERWISE NOTED

SCHEDULE OF TENSION DEVELOPMENT AND LAP SPICE LENGTHS																		
FOOTINGS (fc = 3000PSI)						FOUNDATION WALLS (fc = 4500PSI)						INTERIOR SLABS-ON-GROUND (fc = 4000PSI)						
BAR SIZE	Ld		Ls		Ldh	BAR SIZE	Ld		Ls		Ldh	BAR SIZE	Ld		Ls		Ldh	
	OTHER BARS	TOP BARS	OTHER BARS	TOP BARS			OTHER BARS	TOP BARS	OTHER BARS	TOP BARS			OTHER BARS	TOP BARS	OTHER BARS	TOP BARS		OTHER BARS
#3	17	22	22	28	9	#3	12	12	16	16	7	#3	12	12	16	16	8	
#4	22	29	29	38	11	#4	12	14	16	19	9	#4	12	15	16	20	10	
#5	28	36	36	47	14	#5	14	18	18	23	12	#5	15	19	19	25	12	
#6	33	43	43	56	17	#6	17	21	21	28	14	#6	18	23	23	29	15	
#7	48	63	63	81	20	#7	24	31	31	40	16	#7	25	33	33	43	17	
#8	55	72	72	93	22	#8	27	35	35	46	18	#8	29	37	37	49	19	
#9	62	81	81	105	25	#9	34	44	44	57	21	#9	36	46	46	60	22	
#10	70	91	91	118	28	#10	42	54	54	70	23	#10	44	57	57	74	25	
#11	78	101	101	131	31	#11	50	65	65	84	26	#11	53	68	68	89	27	
#14	93	121	121	157	38	#14	68	88	88	115	31	#14	72	94	94	122	33	

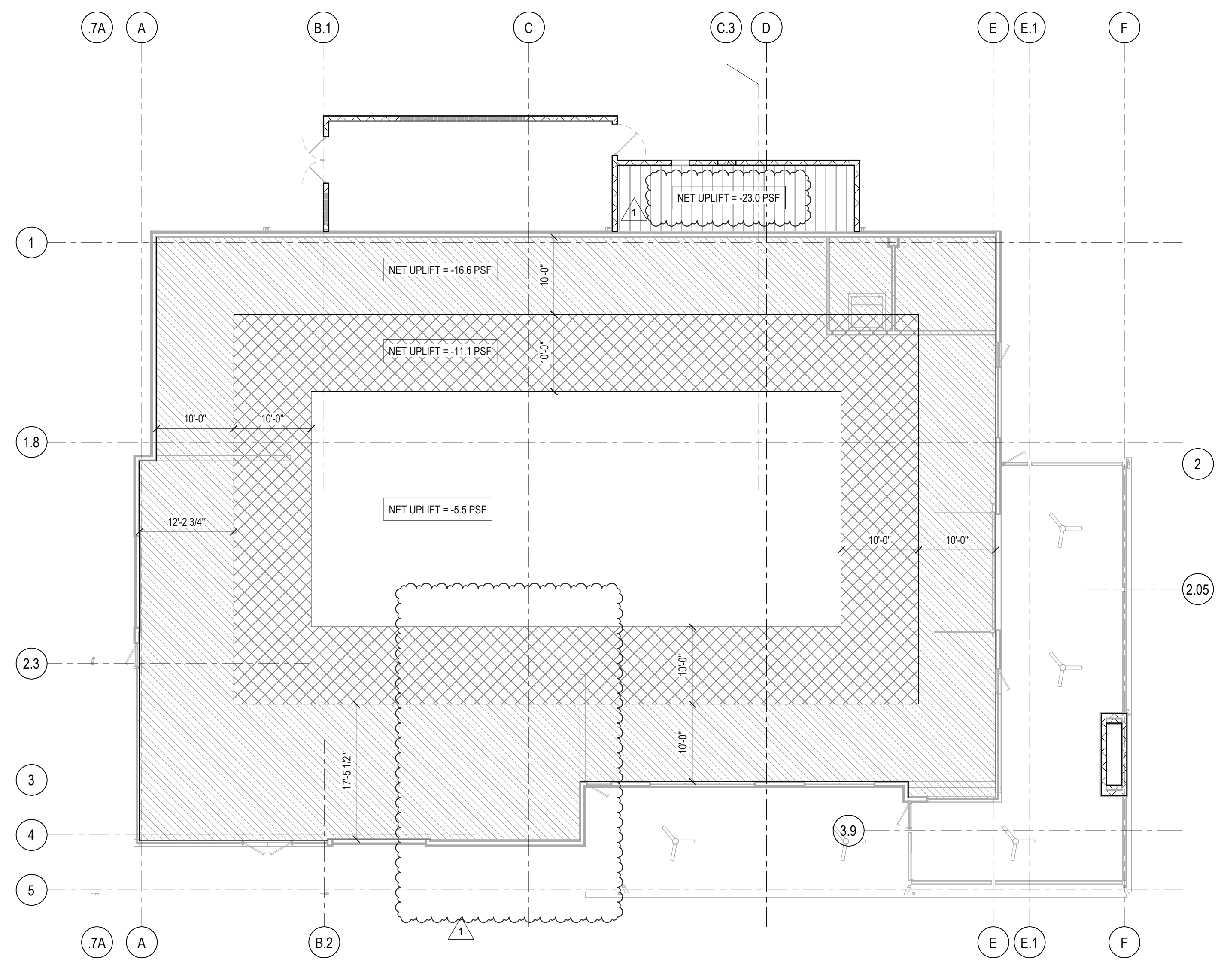
<p>LAP AND DEVELOPMENT TABLE CRITERIA: A. GRADE 60 UNCOATED REINFORCING STEEL i. FOR EPOXY COATED: MULTIPLY Ld, Ls BY 1.5; Ldh BY 1.2 B. NORMAL WEIGHT CONCRETE i. FOR LIGHTWEIGHT CONCRETE: MULTIPLY Ld, Ls, Ldh BY 1.33 C. CLEAR COVER GREATER THAN db D. 4" MIN CLEAR SPACING BETWEEN BARS FOR BARS THAT DO NOT MEET THE CLEAR COVER OR CLEAR SPACING INDICATED: #6 AND SMALLER: Ld = 66 BAR DIAMETERS; Ls = 86 BAR DIAMETERS #7 AND LARGER: Ld = 83 BAR DIAMETERS; Ls = 107 BAR DIAMETERS FOR TOP BARS MULTIPLY BY 1.3 MINIMUM Ld AND Ls = 12"</p>	<p>LAP AND DEVELOPMENT TABLE CRITERIA: A. GRADE 60 UNCOATED REINFORCING STEEL i. FOR EPOXY COATED: MULTIPLY Ld, Ls BY 1.5; Ldh BY 1.2 B. NORMAL WEIGHT CONCRETE i. FOR LIGHTWEIGHT CONCRETE: MULTIPLY Ld, Ls, Ldh BY 1.33 C. 2" MIN CLEAR COVER D. 4" MIN CLEAR SPACING BETWEEN BARS FOR BARS THAT DO NOT MEET THE CLEAR COVER OR CLEAR SPACING INDICATED: #6 AND SMALLER: Ld = 54 BAR DIAMETERS; Ls = 70 BAR DIAMETERS #7 AND LARGER: Ld = 68 BAR DIAMETERS; Ls = 88 BAR DIAMETERS FOR TOP BARS MULTIPLY BY 1.3 MINIMUM Ld AND Ls = 12"</p>	<p>LAP AND DEVELOPMENT TABLE CRITERIA: A. GRADE 60 UNCOATED REINFORCING STEEL i. FOR EPOXY COATED: MULTIPLY Ld, Ls BY 1.5; Ldh BY 1.2 B. NORMAL WEIGHT CONCRETE i. FOR LIGHTWEIGHT CONCRETE: MULTIPLY Ld, Ls, Ldh BY 1.33 C. 2" MIN CLEAR COVER D. 4" MIN CLEAR SPACING BETWEEN BARS FOR BARS THAT DO NOT MEET THE CLEAR COVER OR CLEAR SPACING INDICATED: #6 AND SMALLER: Ld = 57 BAR DIAMETERS; Ls = 74 BAR DIAMETERS #7 AND LARGER: Ld = 72 BAR DIAMETERS; Ls = 93 BAR DIAMETERS FOR TOP BARS MULTIPLY BY 1.3 MINIMUM Ld AND Ls = 12"</p>
---	---	---

LAP AND DEVELOPMENT TABLE NOTES & DEFINITIONS:
 A. TOP BARS = HORIZ BARS WITH MORE THAN 12" OF CONCRETE CAST BELOW THE BARS
 B. db = BAR DIAMETER
 C. s = CENTER-TO-CENTER BAR SPACING
 D. Ath = TOTAL AREA OF TIES OR STIRRUPS CONFINING HOOKED BARS
 E. Aths = TOTAL AREA OF HOOKED BARS BEING DEVELOPED
 F. WHERE BARS OF DIFFERENT SIZES ARE SPICED, Ls FOR THE LARGER BAR SHALL BE USED
 G. ALL TENSION SPICES SHALL BE CLASS B, UNLESS NOTED OTHERWISE
 H. Ldh VALUES FOR #11 BARS AND SMALLER MAY BE REDUCED AS FOLLOWS (PER ACI 318-14)
 i. MULTIPLY BY 0.70 FOR (1) OR (2)
 (1) SIDE COVER ≥ 2 1/2"
 (2) 90° HOOKS WITH COVER ON BAR EXTENSION BEYOND HOOK ≥ 2"
 ii. MULTIPLY BY 0.80 FOR (3), (4), or (5)
 (3) 90° HOOKS ENCLOSED ALONG Ldh WITHIN TIES OR STIRRUPS AT s ≤ 3db
 (4) 90° HOOKS ENCLOSED ALONG THE BAR EXTENSION WITHIN TIES OR STIRRUPS AT s ≤ 3db
 (5) 180° HOOKS ENCLOSED ALONG Ldh WITHIN TIES OR STIRRUPS AT s ≤ 3db
 iii. Ldh SHALL NOT BE LESS THAN THE LARGER OF db OR 6" WITH REDUCTIONS APPLIED

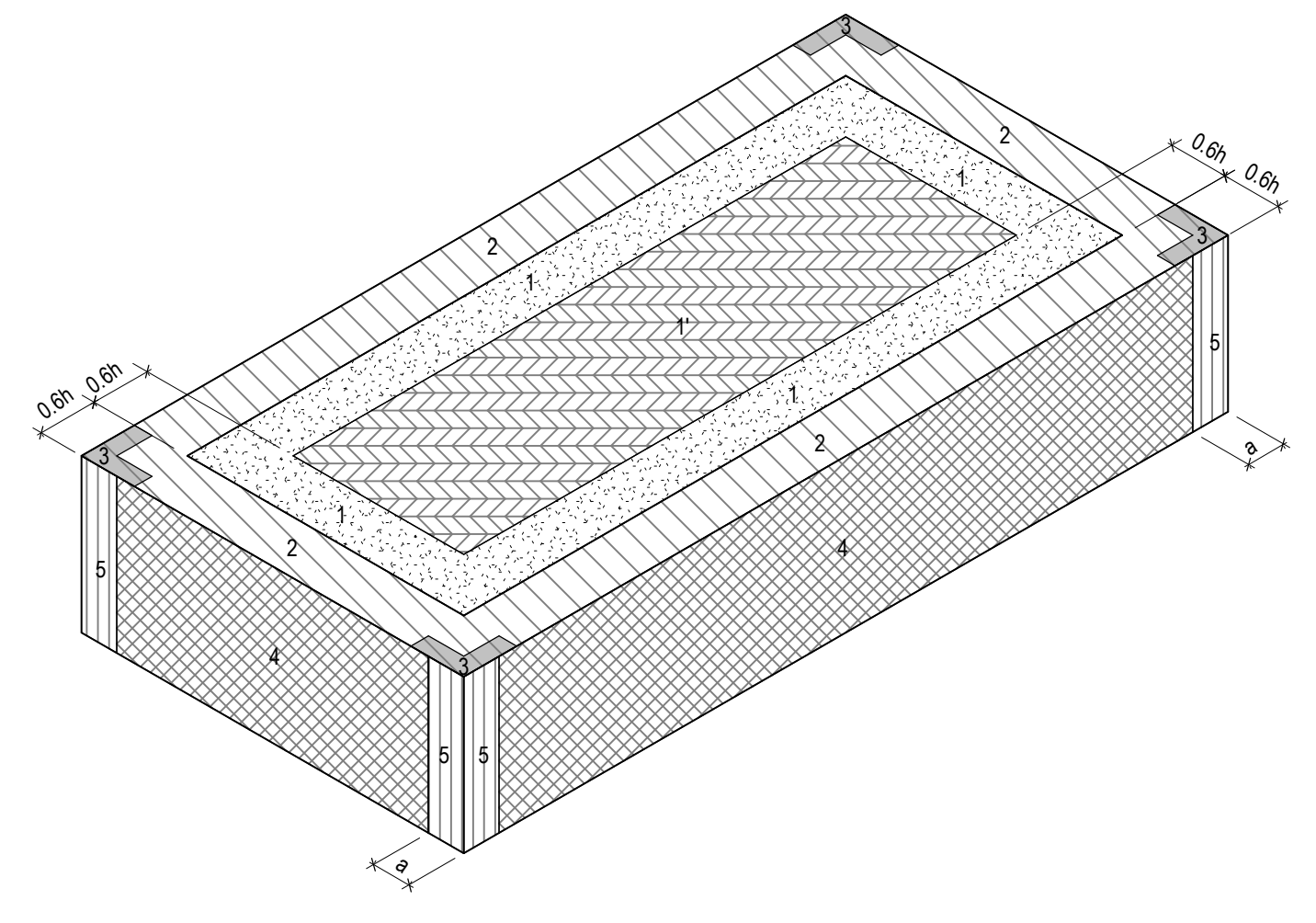
STRUCTURAL ENGINEERS
 800.542.3302
 schaefer-inc.com



CONCRETE TABLES
 S003



JOIST UPLIFT PLAN
 3/32" = 1'-0"
 NOTE: NET UPLIFT IS BASED ON ASD LOAD COMBINATION: 0.6D+0.6W



ASCE7-16 WIND ZONE ISOMETRIC
 NTS
 h = 10'-0"
 a = 4'-0"
 NOTE:
 1. APPLY HIGH ROOF LOADS TO THE SHADED PORTION OF THE LOWER ROOF.
 2. APPLY POSITIVE WALL PRESSURES TO THE SHADED PORTION OF THE LOWER ROOF.
 3. ISOMETRIC VIEW SHOWS GENERAL SIZE AND LOCATION OF WALL ZONES ONLY. SEE PLAN FOR SPECIFIC ROOF PRESSURE ZONES. TYPE 3 WALL ZONES OCCUR AT BUILDING CORNERS WITH A TYPE 3 ROOF ZONE AS SHOWN ON THE ROOF PLAN VIEW.
 4. WIND LOADS SHOWN ARE ULTIMATE (1.0WL).

ROOF SURFACE PRESSURE (psf)

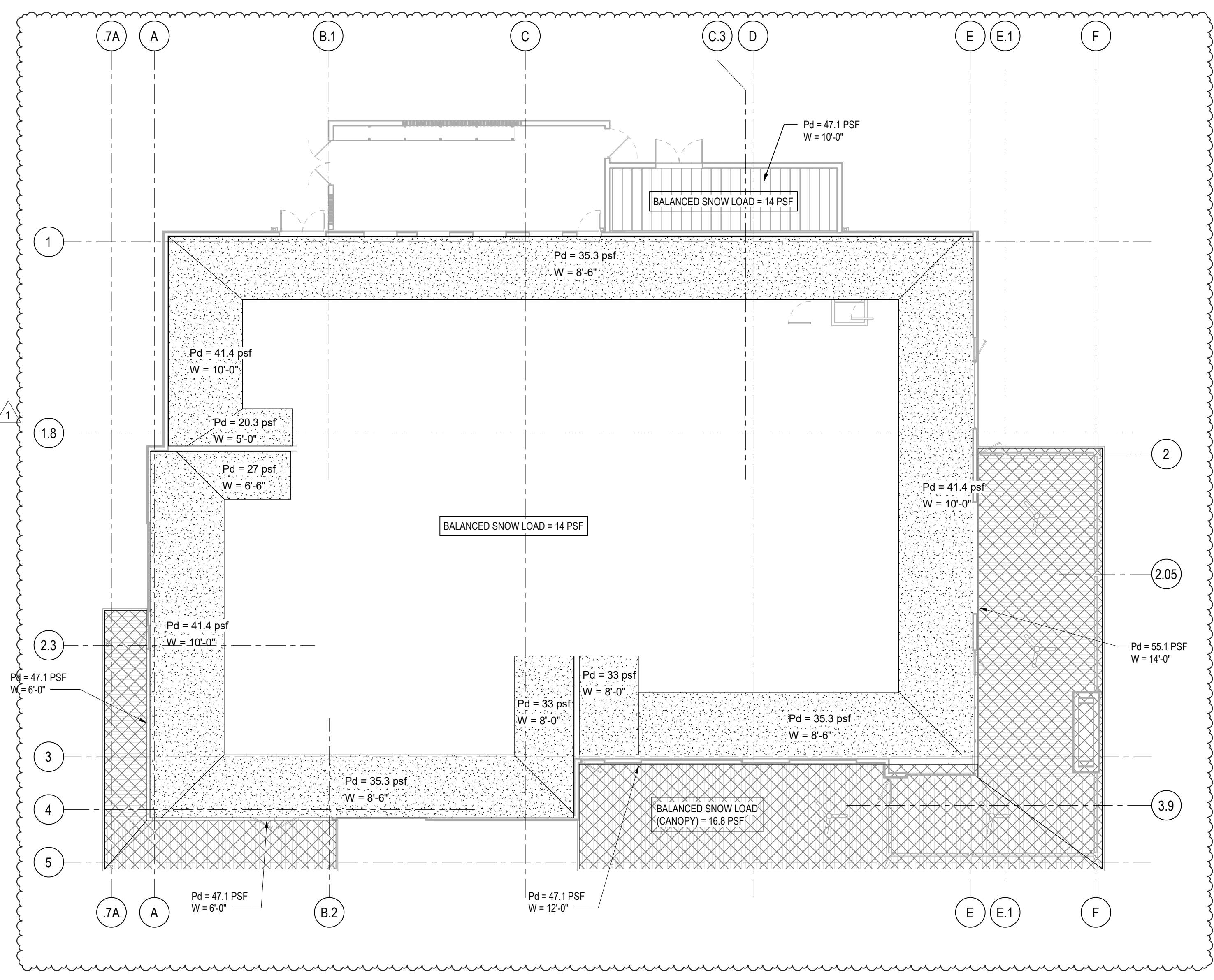
AREA	10 sf	20 sf	50 sf	100 sf	200 sf	350 sf	500 sf	1000 sf
NEGATIVE ZONE 1	-40.5	-37.8	-34.3	-31.6	-28.9	-26.5	-25.4	-25.4
NEGATIVE ZONE 1	-23.3	-23.3	-23.3	-23.3	-20.0	-17.4	-16.0	-16.0
NEGATIVE ZONE 2	-53.4	-50.0	-45.4	-42.0	-38.6	-35.8	-34.0	-34.0
NEGATIVE ZONE 3	-53.4	-50.0	-45.4	-42.0	-38.6	-35.8	-34.0	-34.0
POSITIVE ZONE 1 & 1'	16.0	16.0	16.0	16.0	16.0	16.0	16.0	16.0
POSITIVE ZONES 2 & 3	23.3	22.2	20.9	19.8	18.8	18.0	17.4	17.4
OVERHANG ZONE 1&1'	-36.6	-36.0	-35.1	-34.5	-28.9	-24.4	-21.5	-21.5
OVERHANG ZONE 2	-49.5	-44.9	-38.9	-34.3	-29.7	-26.0	-23.7	-23.7
OVERHANG ZONE 3	-49.5	-44.9	-38.9	-34.3	-29.7	-26.0	-23.7	-23.7

PARAPET SURFACE PRESSURE (psf)

AREA	10 sf	20 sf	50 sf	100 sf	200 sf	500 sf
CASE A: ZONE 2	72.2	67.5	61.4	56.7	52.0	45.8
ZONE 3	72.2	67.5	61.4	56.7	52.0	45.8
CASE B: INTERIOR ZONE	-42.7	-40.5	-37.6	-35.5	-33.3	-30.5
CORNER ZONE	-48.7	-45.5	-41.2	-38.0	-34.7	-30.5

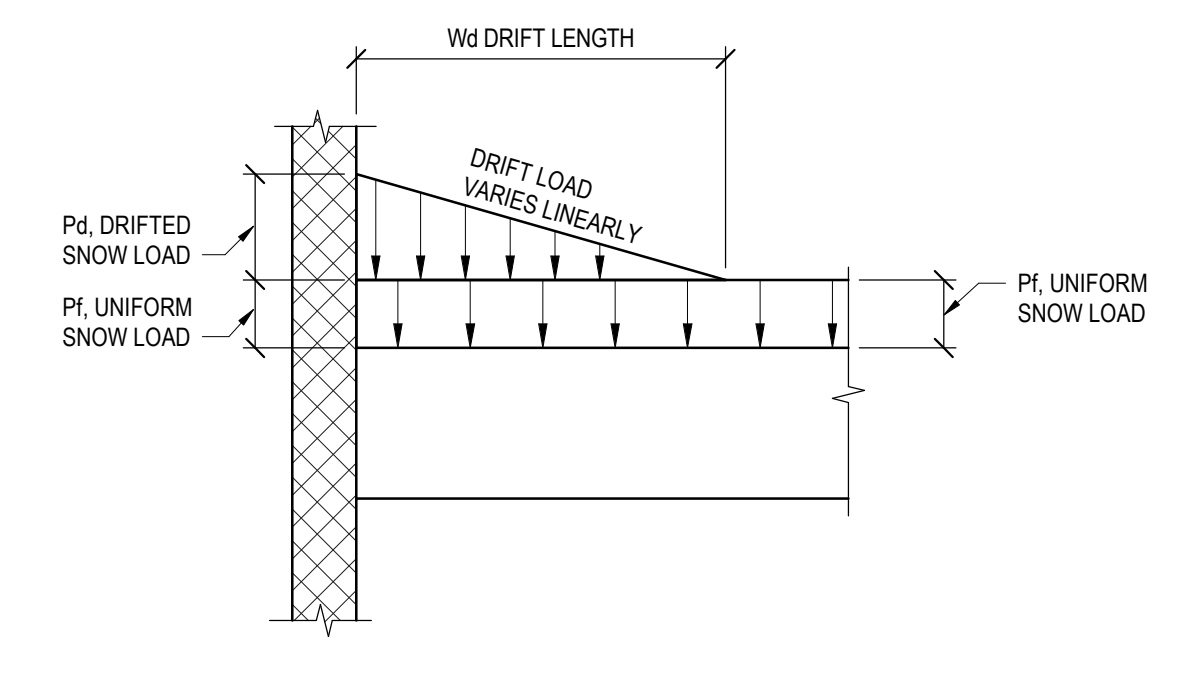
WALL SURFACE PRESSURE (psf)

AREA	10 sf	100 sf	200 sf	500 sf
NEGATIVE ZONE 4	-25.2	-21.8	-20.7	-19.4
NEGATIVE ZONE 5	-31.0	-24.2	-22.1	-19.4
POSITIVE ZONE 4 & 5	23.3	19.8	18.8	17.4

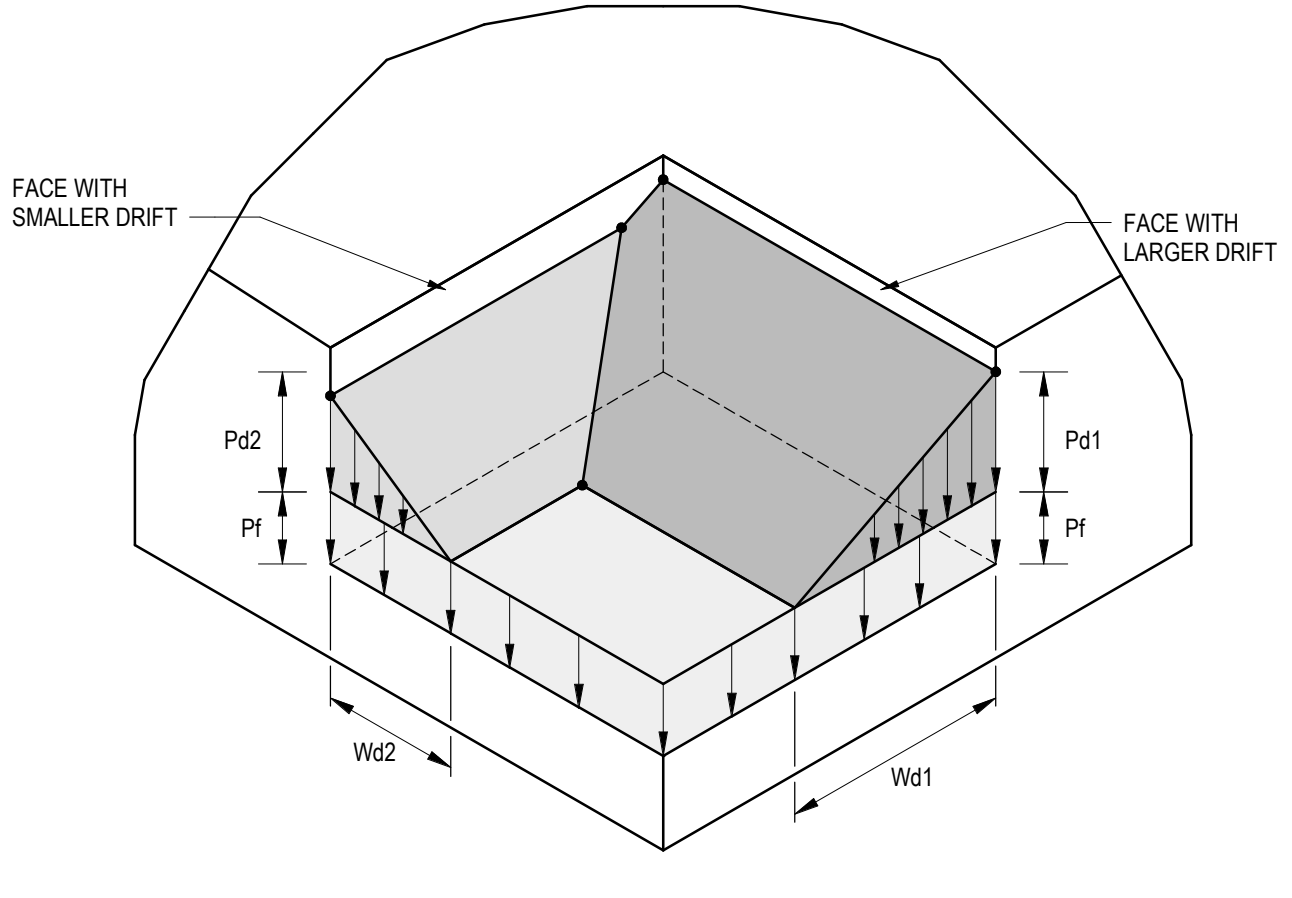


SNOW DRIFT PLAN
 3/32" = 1'-0"
 NORTH

NOTES:
 1. HATCHED PATTERNS INDICATE DRIFTED SNOW PRESSURES OCCURRING IN A TRIANGULAR SHAPE BEGINNING @ FACE OF WALL @ MAX PRESSURE & EXTENDING INWARD TOWARD BLDG CENTER @ BALANCED SNOW PRESSURE.
 2. HATCHED DRIFTED SNOW PRESSURES ARE ON TOP OF & ADDITIVE TO BALANCED SNOW PRESSURES.



DRIFTED SNOW LOAD LEGEND
 NTS



TYPICAL ADJACENT DRIFTS AT CORNER DETAIL
 NTS

Q39 (SHELL)
LEE'S SUMMIT, MO
 OLDHAM VILLAGE

PROJECT NUMBER	62910099
PROJECT MANAGER	DA
DRAWN BY	GJB
CHECKED BY	
PROFESSIONAL SEAL	



COPYRIGHT NOTICE
 THIS DRAWING WAS PREPARED FOR USE ON A SPECIFIC DATE. CONTRACTOR SHALL BE RESPONSIBLE FOR ANY CHANGES TO THIS DRAWING FOR USE ON A DIFFERENT PROJECT OR DATE. A LATER DATE OF USE OF THIS DRAWING WITHOUT THE WRITTEN CONSENT OF BRR ARCHITECTURE INC. IS PROHIBITED. REPRODUCTION OF THIS DRAWING FOR USE ON ANOTHER PROJECT IS NOT AUTHORIZED AND MAY BE CONTRARY TO THE LAW.
 BRR DOES NOT GUARANTEE THAT THIS DRAWING IS SUFFICIENT OR APPROPRIATE FOR USER'S PURPOSES. USER USES OR ALTERS THESE FILES AT USER'S SOLE RISK AND AGREES TO ACCEPT ALL RISK FROM LIABILITY ARISING FROM USER'S USE.

ISSUES AND REVISIONS

NUMBER	DATE	DESCRIPTION
1	ISSUES	ORIGINAL ISSUE
1	ISSUES	ADDENDUM 1

SHEET NAME

STRUCTURAL ENGINEERS
 800.542.3302
 schaefer-inc.com

schaefer

LOADING DIAGRAMS

SHEET NUMBER

S004

Q39 (SHELL)
LEE'S SUMMIT, MO
 OLDHAM VILLAGE

PROJECT NUMBER: 62910099
 PROJECT MANAGER: DDA
 DRAWN BY: GJB
 CHECKED BY:



COPYRIGHT NOTICE
 THIS DRAWING WAS PREPARED FOR USE ON A SPECIFIC DATE. CONTRACTOR AGREES WITH BRR ARCHITECTURE INC. AND BRR ARCHITECTURE INC. FOR USE ON A DIFFERENT PROJECT SITE OR ON A LATER DATE. THE USE OF THIS DRAWING FOR ANY OTHER PROJECT WITHOUT THE WRITTEN CONSENT OF BRR ARCHITECTURE INC. IS PROHIBITED. BRR ARCHITECTURE INC. IS NOT RESPONSIBLE FOR ANY ERRORS OR OMISSIONS IN THIS DRAWING. BRR ARCHITECTURE INC. IS NOT AUTHORIZED TO MAKE ANY CHANGES TO THIS DRAWING WITHOUT THE WRITTEN CONSENT OF BRR ARCHITECTURE INC.

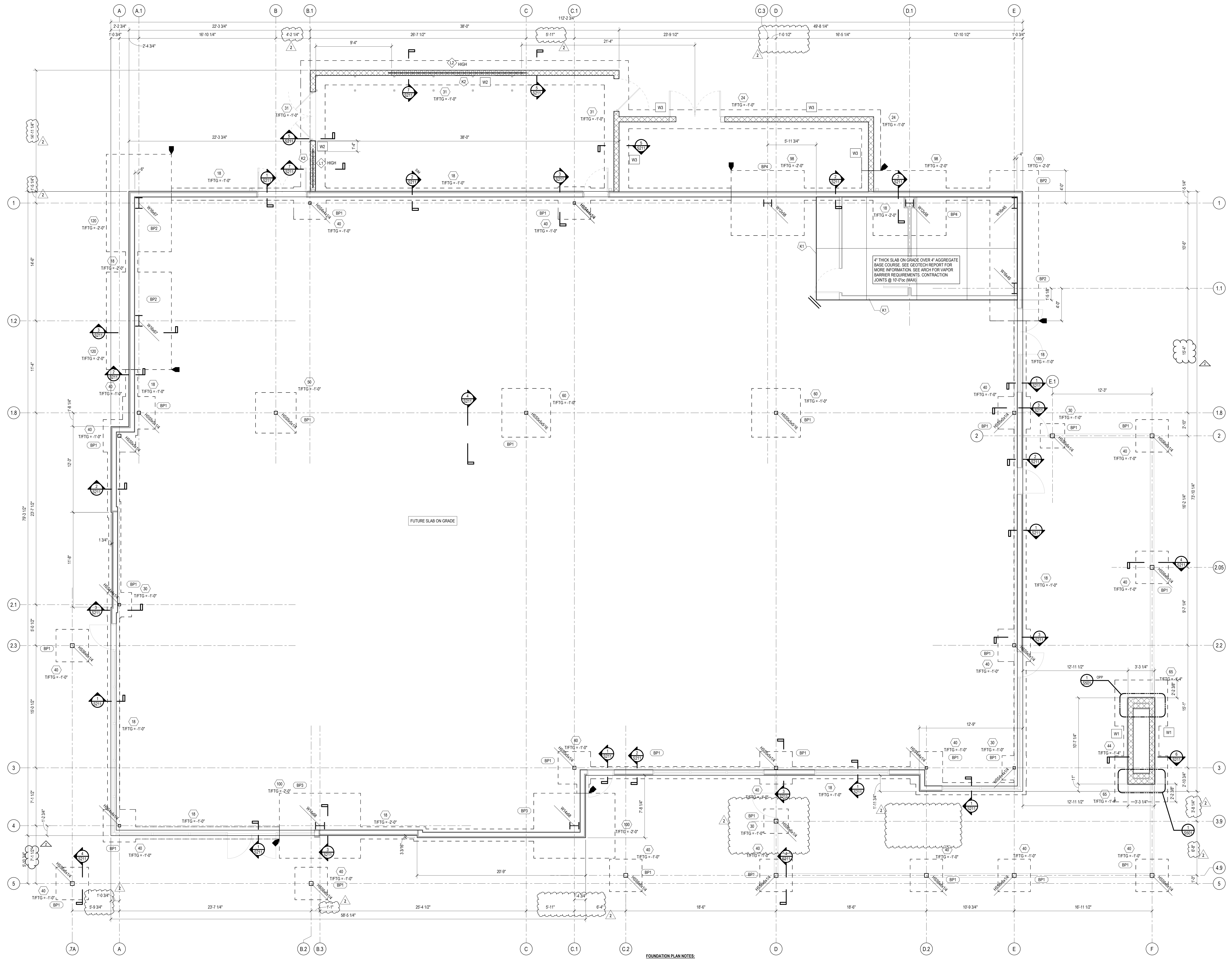
ISSUES AND REVISIONS

NUMBER	DATE	DESCRIPTION
1		ISSUES
2		REVISIONS
3		ADDITIONAL 1
4		ADDITIONAL 2

STRUCTURAL ENGINEERS
 800.542.3302
 schaefer-inc.com

schaefer

CONTRACTOR'S USE ONLY
 THIS DOCUMENT IS THE PROPERTY OF BRR ARCHITECTURE INC. AND IS NOT TO BE REPRODUCED OR COPIED IN ANY MANNER WITHOUT THE WRITTEN CONSENT OF BRR ARCHITECTURE INC. FOR ANY OTHER PROJECT. BRR ARCHITECTURE INC. IS NOT RESPONSIBLE FOR ANY ERRORS OR OMISSIONS IN THIS DRAWING. BRR ARCHITECTURE INC. IS NOT AUTHORIZED TO MAKE ANY CHANGES TO THIS DRAWING WITHOUT THE WRITTEN CONSENT OF BRR ARCHITECTURE INC.



CONTINUOUS FOOTING SCHEDULE

MAIN	WIDTH (B)	THICKNESS (H)	REINFORCING	REMARKS
18	1'-0"	2'-0"	(2) #5 CONT TOP & BOT	
24	2'-4"	2'-0"	(3) #5 CONT TOP & BOT	
31	3'-0"	2'-0"	(3) #5 CONT TOP & BOT	
44	4'-4"	2'-0"	(4) #5 CONT TOP & BOT	

FOOTING NOTES:
 1. WHERE FOOTINGS INTERSECT, PROVIDE REINFORCING STEEL PER SCHEDULE & FOOTING SIZE SUCH THAT DIMENSIONS SHOWN IN SCHEDULE ARE MET OR EXCEEDED.
 2. CENTER ALL COLUMN FOOTINGS UNDER COLUMN CENTERLINES, UNO IN PLAN OR SECTION.

ISOLATED FOOTING SCHEDULE

MAIN	LENGTH (L)	WIDTH (B)	THICKNESS (H)	REINFORCING	REMARKS
30	3'-0"	2'-0"	2'-0"	(4) #5 EA WAY TOP & BOT	
40	4'-0"	4'-0"	2'-0"	(6) #5 EA WAY TOP & BOT	
50	5'-0"	5'-0"	2'-0"	(4) #5 EA WAY TOP & BOT	
60	6'-0"	6'-0"	2'-0"	(7) #5 EA WAY TOP & BOT	
65	6'-6"	5'-8"	2'-0"	(10) #5 EA WAY TOP & BOT	
98	9'-0"	8'-0"	2'-0"	(#5 @ 17"oc EA WAY TOP & #5 @ 17"oc EA WAY BOT)	
100	10'-0"	8'-0"	2'-0"	(#5 @ 17"oc EA WAY TOP & #5 @ 17"oc EA WAY BOT)	
120	12'-0"	8'-0"	2'-0"	(#5 @ 17"oc EA WAY TOP & #5 @ 17"oc EA WAY BOT)	
185	18'-0"	6'-0"	2'-0"	(#5 @ 17"oc LONGITUDINAL BASE TOP & BOTTOM w/ #5 TRANSverse @ 17"oc TOP & BOT)	

FOUNDATION PLAN
 1/4" = 1'-0"

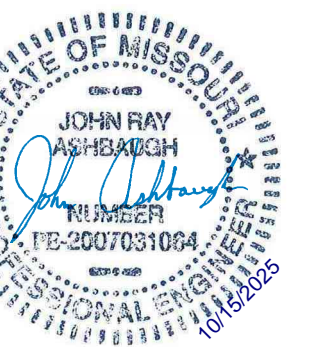
- FOUNDATION PLAN NOTES:**
- REFERENCE PLAN ELEVATION 0'-0" = 1040.00' ± (FINISH FLOOR ELEVATION AT MEAN SEA LEVEL). CONFORM WITH CIVIL ENGINEER PRIOR TO CONSTRUCTION.
 - DOORS ARE SHOWN IN APPROXIMATE LOCATIONS. SEE ARCH DWGS FOR EXACT LOCATIONS.
 - SEE SHEET S201 FOR GENERAL NOTES, ABBREVIATIONS & LEGEND (SYMBOLS).
 - SEE SHEET S31 FOR BASEPLATE SCHEDULE.
 - SEE SHEET S201 FOR TYPICAL SLAB ON GRADE DETAILS & FOUNDATION DETAILS.
 - DIMENSIONS TO WALL FOOTING STEP LOCATIONS ARE APPROXIMATE. CONTRACTOR SHALL COORDINATE FOOTING STEPS w/ LOCATIONS INDICATED ON FOUNDATION PLANS & TYPICAL FOOTING STEP DETAIL ON SHEET S201.

FOUNDATION KEYNOTES

NO.	DESCRIPTION
K1	SLAB ON GRADE CONSTRUCTION JOINT. SEE TYPICAL DETAIL ON S201
K2	FENCE BLOCK. SEE ARCH.

Q39 (SHELL)
LEE'S SUMMIT, MO
OLDHAM VILLAGE

PROJECT NUMBER	629 10099
PROJECT MANAGER	DA
DRAWN BY	GJB
CHECKED BY	
PROFESSIONAL SEAL	



COPYRIGHT NOTICE
THIS DRAWING WAS PREPARED FOR USE ON A SPECIFIC DATE. CONTRACTOR SHALL BE RESPONSIBLE FOR VERIFYING THE DATE OF THIS DRAWING AND THE DATE OF ANY REVISIONS. CONTRACTOR SHALL BE RESPONSIBLE FOR VERIFYING THE DATE OF THIS DRAWING AND THE DATE OF ANY REVISIONS. CONTRACTOR SHALL BE RESPONSIBLE FOR VERIFYING THE DATE OF THIS DRAWING AND THE DATE OF ANY REVISIONS.

NUMBER	DATE	REVISION	DESCRIPTION
1		ISSUED	ISSUED
2		REVISED	REVISED
3		REVISION	REVISION

ISSUES AND REVISIONS

NUMBER	DATE	REVISION	DESCRIPTION
1		ISSUED	ISSUED
2		REVISED	REVISED
3		REVISION	REVISION

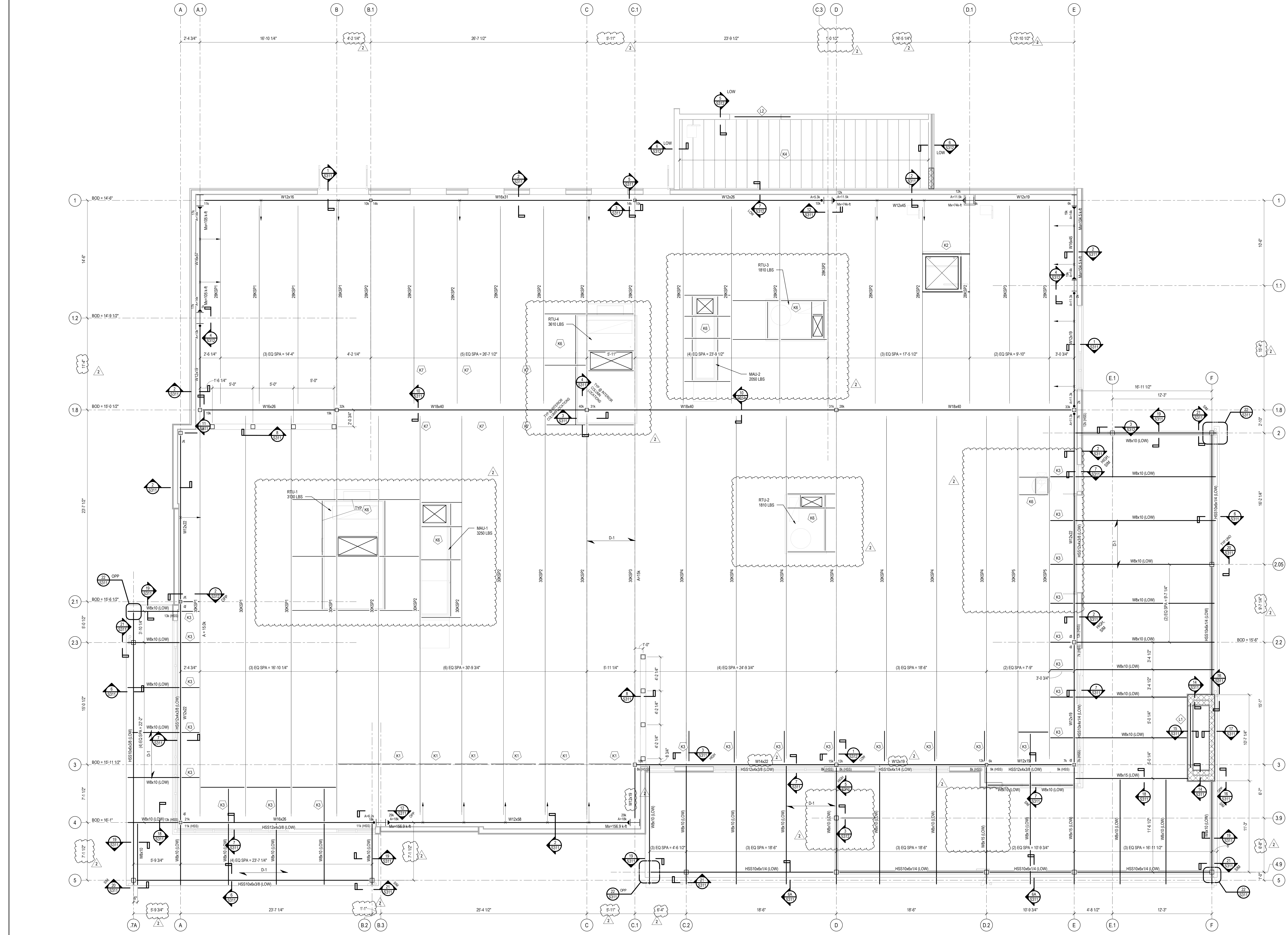
ISSUES AND REVISIONS

ISSUES AND REVISIONS

ISSUES AND REVISIONS

ISSUES AND REVISIONS

ISSUES AND REVISIONS



FRAMING PLAN LEGEND

- Moment connection
- Vertical shear
- Beam axial connection force
- Beam size
- Horizontal shear
- Moment
- Beam axial connection force

ROOF FRAMING KEYNOTES

NO.	DESCRIPTION
K1	L4x4x1/4, SEE SECTION 13S311
K2	ROOF HATCH, SEE TYPICAL LARGE ROOF DECK OPENING DETAIL ON SHEET S301
K3	L3x4x1/4 DIAGONAL BRACE, SEE SECTION 13S311
K4	18" DEEP D CHANNEL JOIST BY OTHERS AT 20" MAX SPACING
K5	NOT USED
K6	SEE MECHANICAL UNIT DETAIL ON SHEET S301 FOR FRAMING AND MECHANICAL UNIT WEIGHTS WITH THE MECHANICAL DRAWINGS
K7	KITCHEN VENTS - COORDINATION LOCATION AND WEIGHT WITH THE MECHANICAL DRAWINGS

ROOF FRAMING PLAN
1/4" = 1'-0"

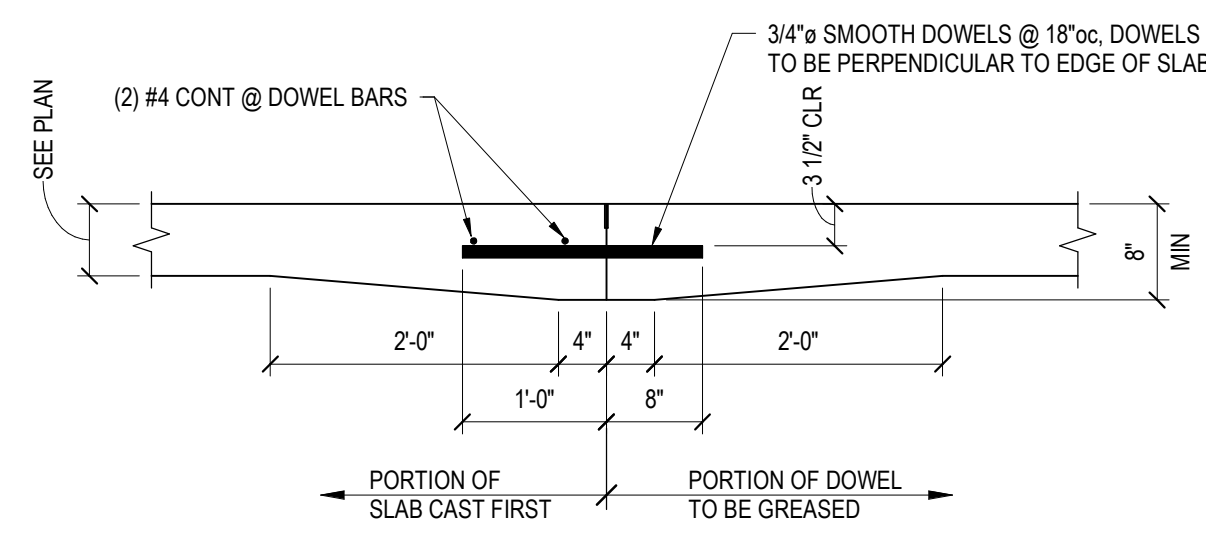
- PLAN NOTES:**
- SEE SHEET S301 FOR ABBREVIATIONS & LEGEND (SYMBOLS).
 - 800 LEVEL - SEE PLAN.
 - LOW ROOF BOU (CANOPY) = 11'-6". SEE ARCH FOR TAPERED INSULATION.
 - EDGE OF DECK IS 0" FROM CENTER OF STEEL BEAMS, TYPICAL AT PERIMETER, UNO.
 - JOIST MANUFACTURER:
 - A. ROOF JOIST ARE SUBJECT TO A NET UPLIFT DUE TO WIND. SEE SHEET S304 FOR DESIGN UPLIFT.
 - B. DESIGN JOISTS FOR 8# PSF DOWNWARD WIND LOAD (0.8WL). APPLY PER APPROPRIATE ASCE 1 LOAD COMBINATIONS.
 - C. DESIGN JOISTS FOR UNIFORM LOAD AS STATED PLUS THE CONCENTRATED POINT LOADS SHOWN ON PLANS. JOIST UNIFORM LOADS ARE SERVICE LEVEL (1.0LL+1.0L). (1.0LL+1.0L+1.0S).
 - D. DESIGN ALL JOISTS FOR AN ADDITIONAL (1.0) LB CONCENTRATED FUTURE MECHANICAL UNIT LIVE LOAD LOCATED AT ANY TOP CHORD PANEL POINT. BAR JOIST NEED ONLY BE DESIGNED FOR (1) FUTURE MECHANICAL UNIT CONCENTRATED LOAD AT ANY GIVEN TIME. FUTURE MECHANICAL UNIT CONCENTRATED LOAD IS NOT INCLUDED IN THE JOIST LOADS LISTED ON FRAMING PLANS.
 - E. DESIGN JOIST TOP CHORDS FOR THE HORIZONTAL IN-PLANE AXIAL FORCES SHOWN ON PLAN. ALL AXIAL FORCES ARE SERVICE LEVEL (0.8WL, 0.7 EQ). SEE SHEET PLAN & SECTIONS FOR THE PLATES REQUIRED AT ENDS OF JOISTS WITH AXIAL FORCES.
 - F. JOIST LOADS SHOWN ON PLAN DO NOT INCLUDE WEIGHTS OF MECHANICAL UNITS OR SPRINKLER MAIN LINES. GC SHALL COORDINATE FINAL MECHANICAL UNIT AND SPRINKLER MAIN SIZES, LOCATIONS, & WEIGHTS w/ JOIST MANUFACTURER PRIOR TO JOIST FABRICATION.
 - G. DESIGN JOISTS FOR L240 MAXIMUM WIND, SEISMIC, OR ROOF LIVE LOAD VERTICAL DEFLECTION, UNLESS NOTED OTHERWISE. DESIGN JOISTS FOR L180 MAXIMUM TOTAL LOAD DEFLECTION.
 - H. FABRICATE ALL JOISTS w/ S# RECOMMENDED CAMBER, UNO.
 - I. MECHANICAL UNITS (RTU) SHOWN ON PLAN ARE ESTIMATE WEIGHTS & LOCATIONS ONLY. JOIST MANUFACTURER SHALL DESIGN THE TOP CHORD OF EACH SUPPORTING JOIST FOR 25% OF THE LOAD SPECIFIED. GC SHALL COORDINATE FINAL RTU SIZE, LOCATION, & WEIGHT w/ JOIST MANUFACTURER PRIOR TO JOIST FABRICATION. WEIGHTS ON PLAN INCLUDE A 1/2 FACTOR.
 - J. PROVIDE BRIDGING AT JOISTS PER S#.
 - K. ALL SIMPLE SHEAR CONNECTIONS SHALL BE DESIGNED FOR A MINIMUM OF 10% (LRFD) UNO ON PLAN.
 - L. DECKING IS TO BE CONTINUOUSLY SUPPORTED AT EACH END OF DECK SPAN.
 - M. DOORS AND WINDOWS ARE SHOWN IN APPROXIMATE LOCATIONS. SEE ARCHITECTURAL DRAWINGS FOR EXACT LOCATIONS.
 - N. SPRINKLER MAINS SHALL BE INSTALLED AT THE SPECIFIC LOCATIONS SHOWN ON THE FIRE PROTECTION DRAWINGS.
 - O. SEE SHEET S301 FOR METAL DECK CONNECTION PLAN & SCHEDULE.
 - P. SEE SHEET S301 FOR TYPICAL FRAMING DETAILS.
 - Q. ALL LOADS, FORCES, & MOMENTS ARE ULTIMATE LEVEL (LRFD) UNLESS NOTED OTHERWISE.
 - R. MECHANICAL EQUIPMENT SIZES, LOCATIONS, AND WEIGHTS SHOWN ARE BASIS OF DESIGN. CONTRACTOR SHALL CONFIRM FINAL WEIGHTS DO NOT EXCEED THE VALUES INDICATED AND SHALL COORDINATE SUPPORTING STEEL LOCATIONS BASED ON THE FINAL UNIT SIZES AND MECHANICAL CLRB DETAIL. PROVIDE COORDINATED FRAMING LOCATOR DIMENSIONS ON SUBMITTED SHOP DRAWINGS FOR REVIEW BY EOR.
 - S. SEE TYPICAL ROOF MECHANICAL UNIT SUPPORT DETAILS FOR ADDITIONAL FRAMING REQUIRED AT UNITS.

STRUCTURAL ENGINEERS
800.542.3302
schaefer-inc.com

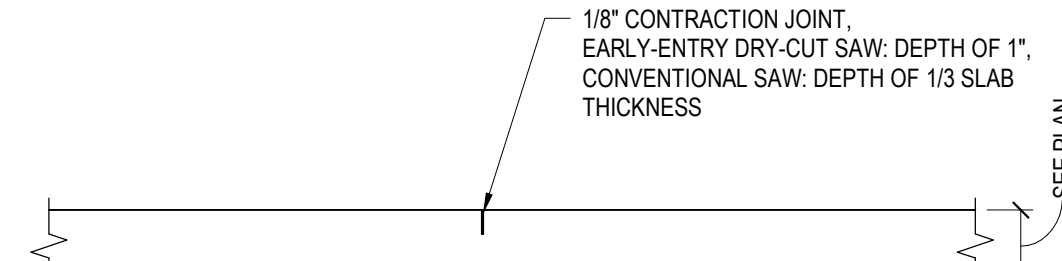
schaefer

ROOF FRAMING PLAN

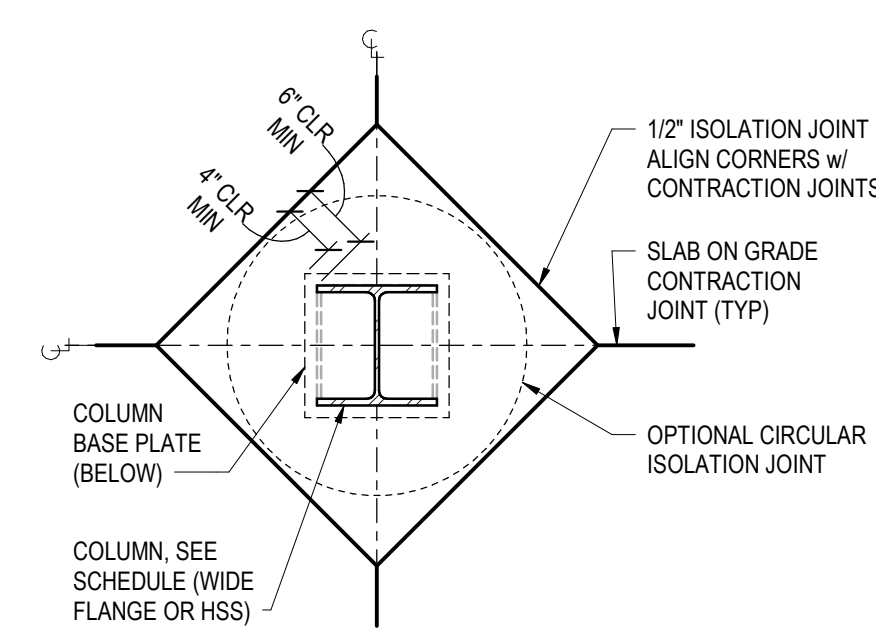
S102



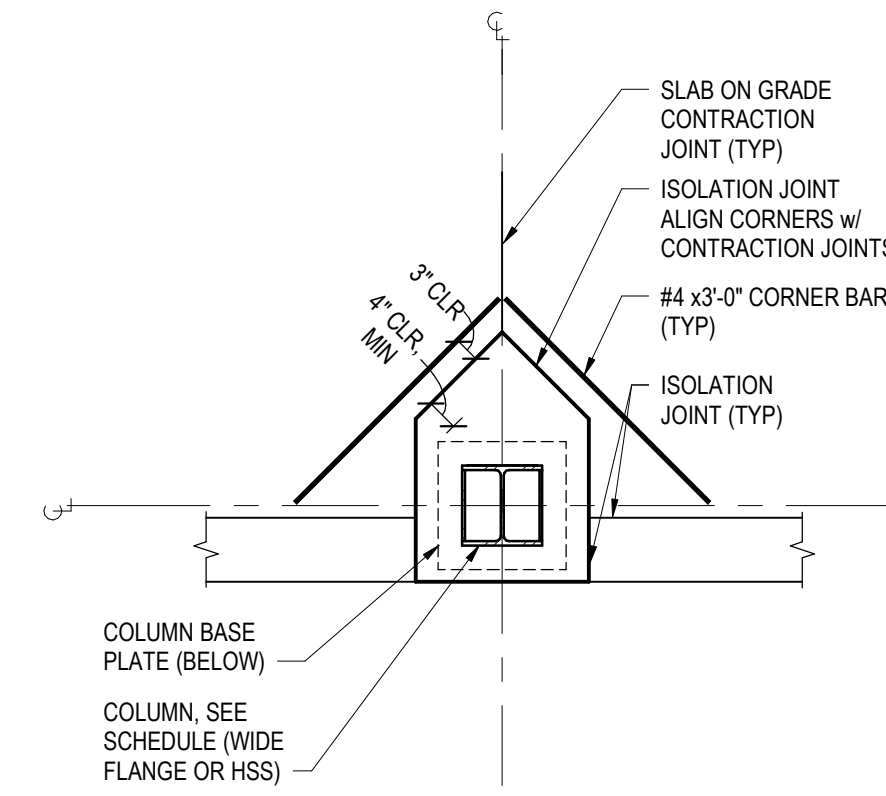
SLAB ON GRADE TYPICAL CONSTRUCTION JOINT
NTS



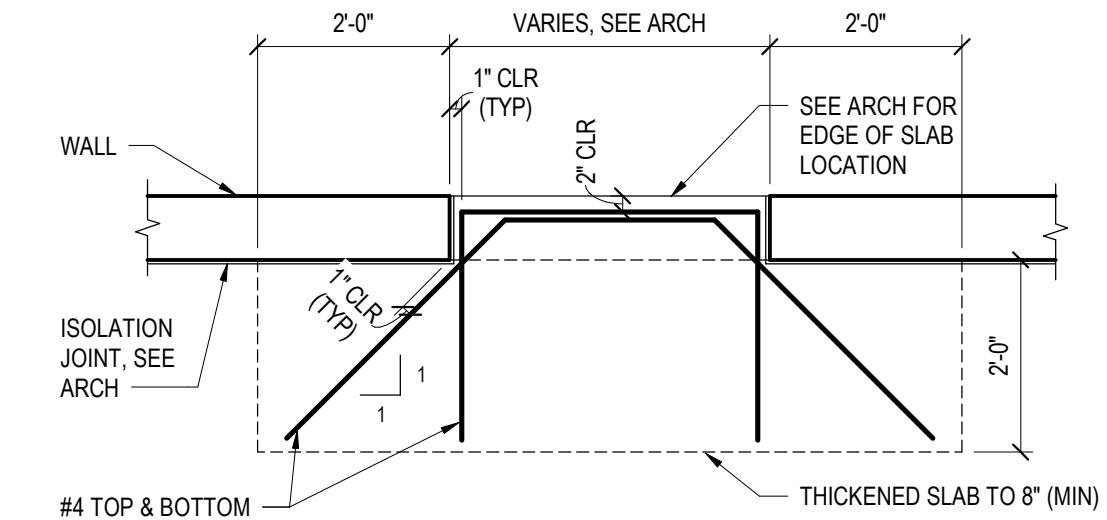
SLAB ON GRADE TYPICAL CONTRACTION JOINT
NTS



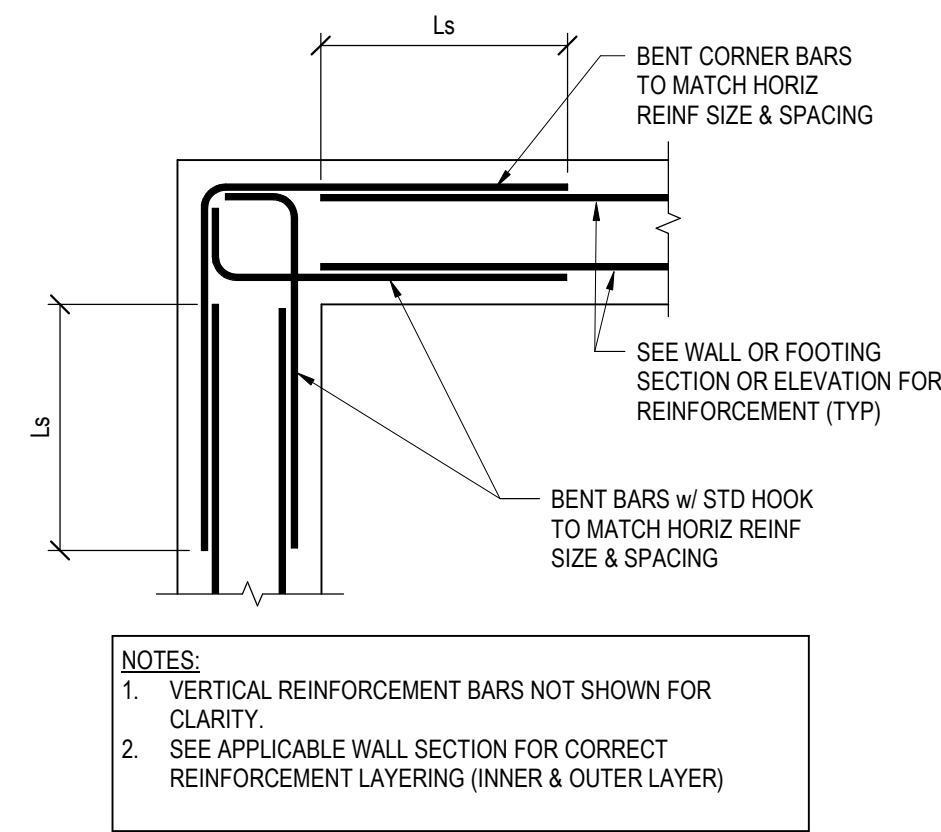
TYPICAL COLUMN BOX OUT ISOLATION JOINT
NTS



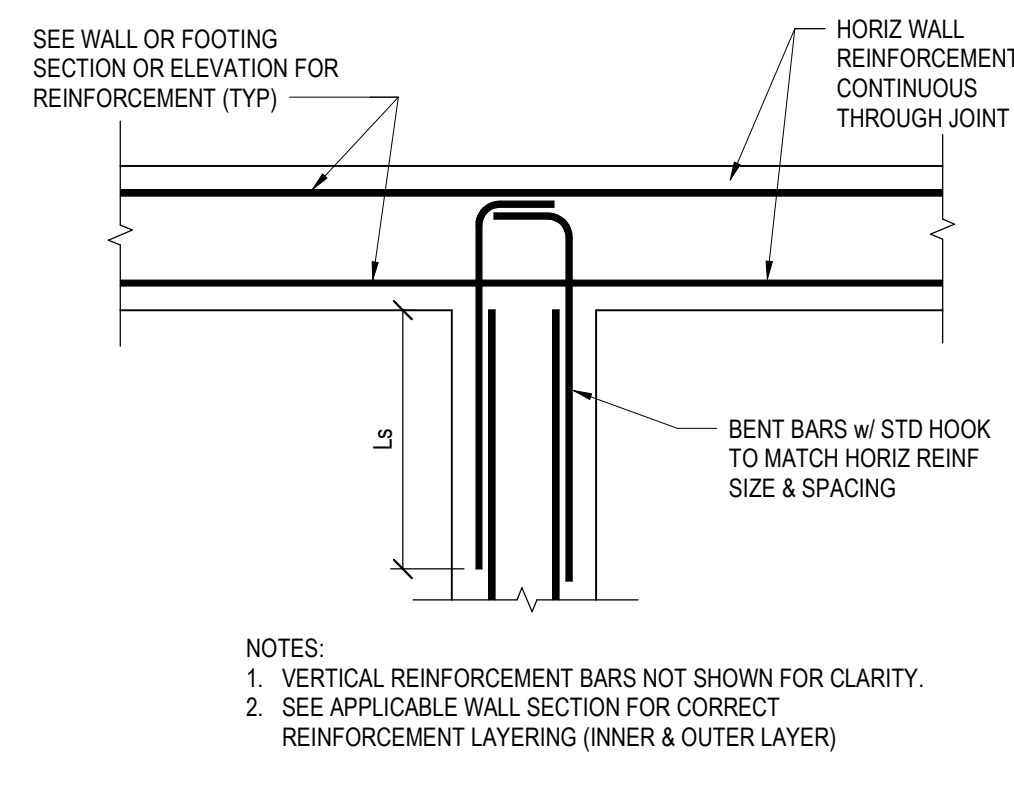
TYPICAL CONCRETE COLUMN BOX OUT ISOLATION JOINT AT EDGE OF SLAB
NTS



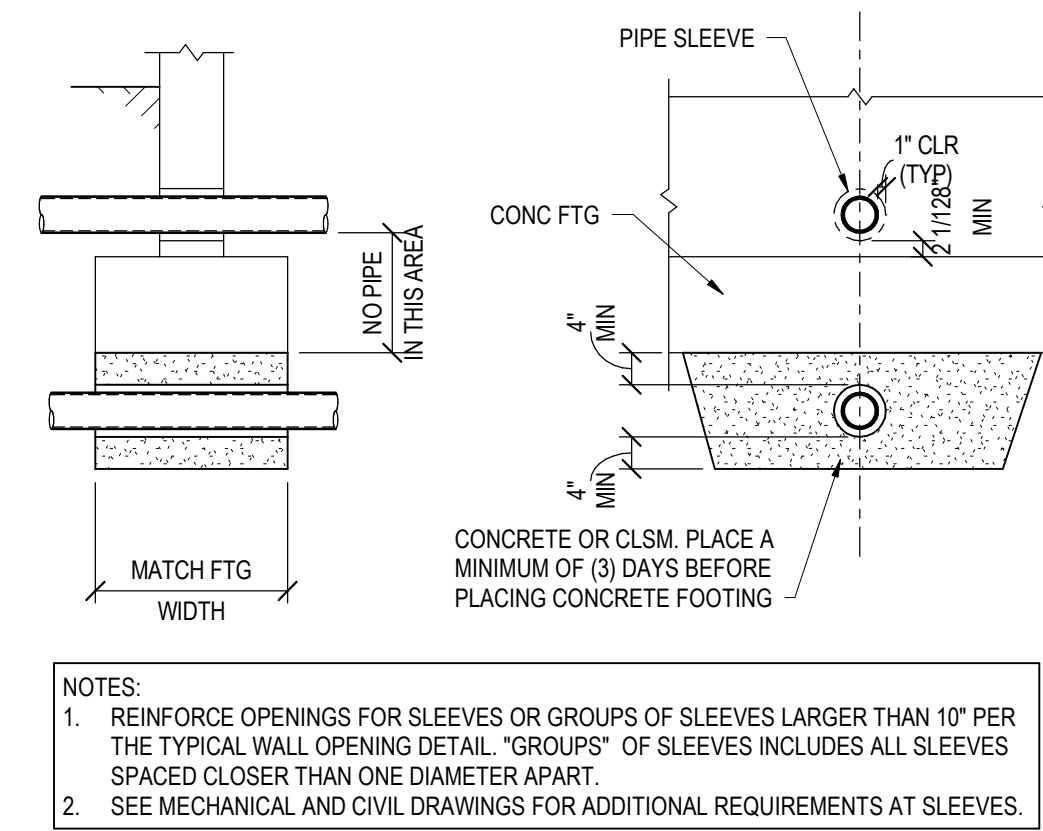
TYPICAL SLAB ON GRADE AT DOOR THRESHOLD
NTS



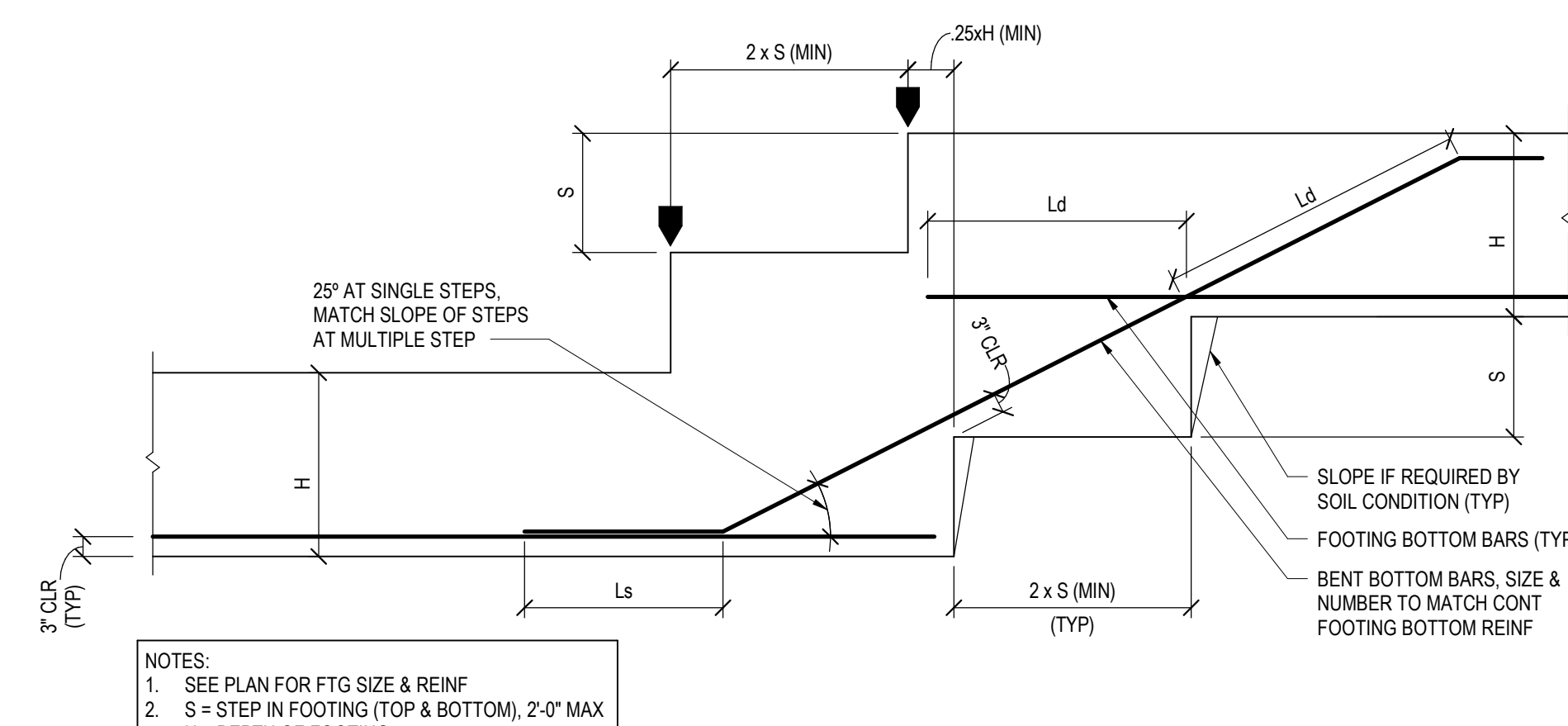
TYPICAL CONCRETE WALL & FOOTING CORNER REINFORCEMENT DETAIL AT DOUBLE CURTAIN OF STEEL
NTS



TYPICAL CONCRETE WALL & FOOTING INTERSECTION REINFORCEMENT DETAIL AT DOUBLE CURTAIN OF STEEL
NTS

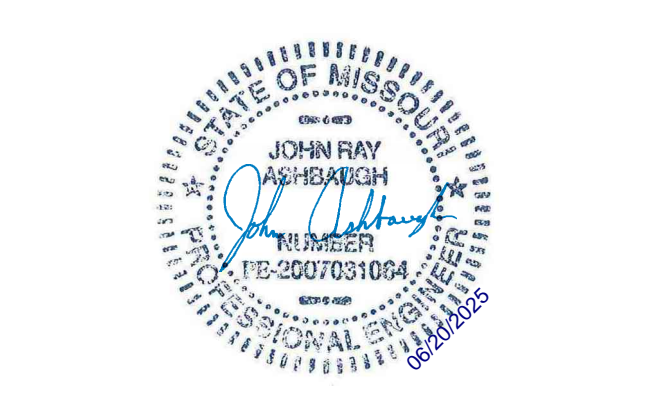


TYPICAL PIPE SLEEVE THROUGH STRIP FOOTING
NTS



TYPICAL STEP IN FOOTING
NTS

PROJECT NUMBER	62910099
PROJECT MANAGER	DJA
DRAWN BY	GJB
CHECKED BY	



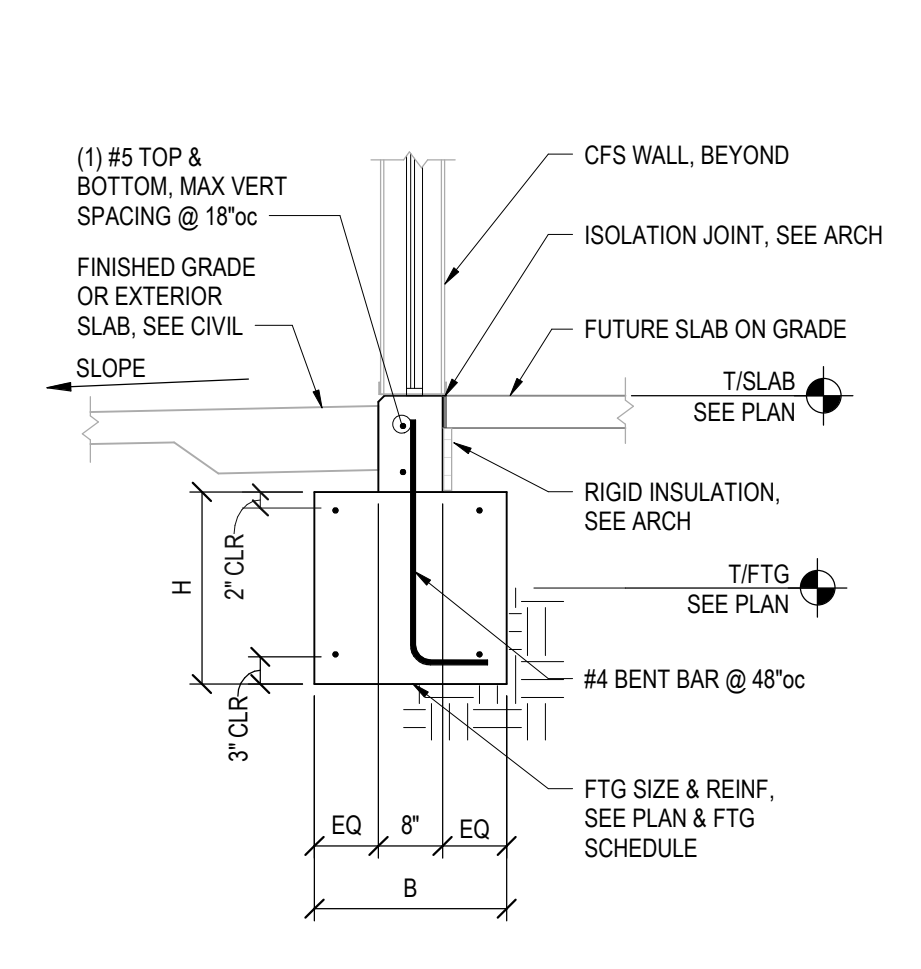
COPYRIGHT NOTICE
THIS DRAWING WAS PREPARED FOR USE ON A SPECIFIC SITE. CONTRACTORS SHALL VERIFY ALL DATA AND TO NOT BE HELD FOR USE ON A DIFFERENT PROJECT SITE OR AT A LATER TIME. USE OF THIS DRAWING FOR ANY OTHER PROJECT WITHOUT THE WRITTEN CONSENT OF BRR ARCHITECTURE INC. IS STRICTLY PROHIBITED. REPRODUCTION OF THIS DRAWING FOR USE ON ANOTHER PROJECT IS NOT AUTHORIZED AND MAY BE CONTRARY TO THE LAW.
BRR DOES NOT GUARANTEE THAT CALCULATIONS ARE SUFFICIENT OR APPROPRIATE FOR USER'S PURPOSES. USER USES OR ALTERS THESE FILES AT USER'S SOLE RISK AND AGREES TO ACCEPT ALL RISK FROM LIABILITY ARISING FROM USER'S USE.

NUMBER	DATE	DESCRIPTION
1		

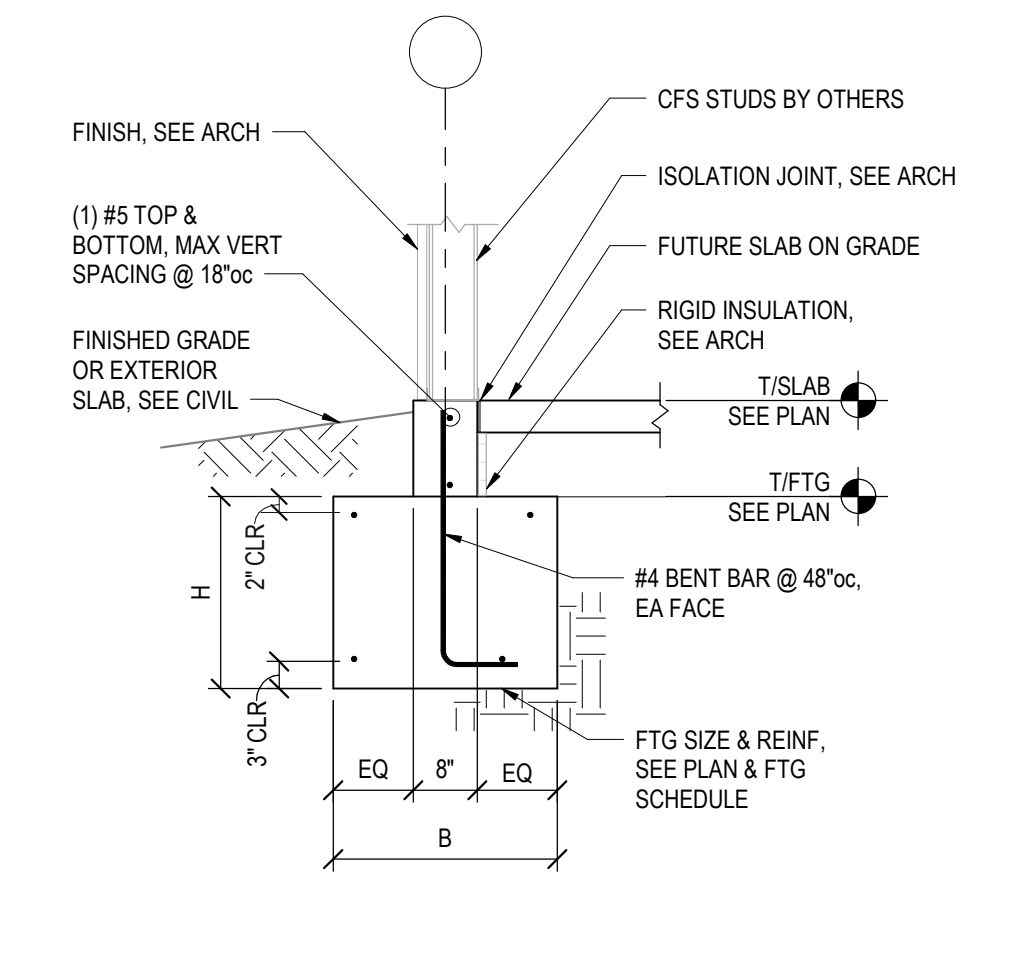
TYPICAL FOUNDATION DETAILS & SECTIONS
SHEET NUMBER



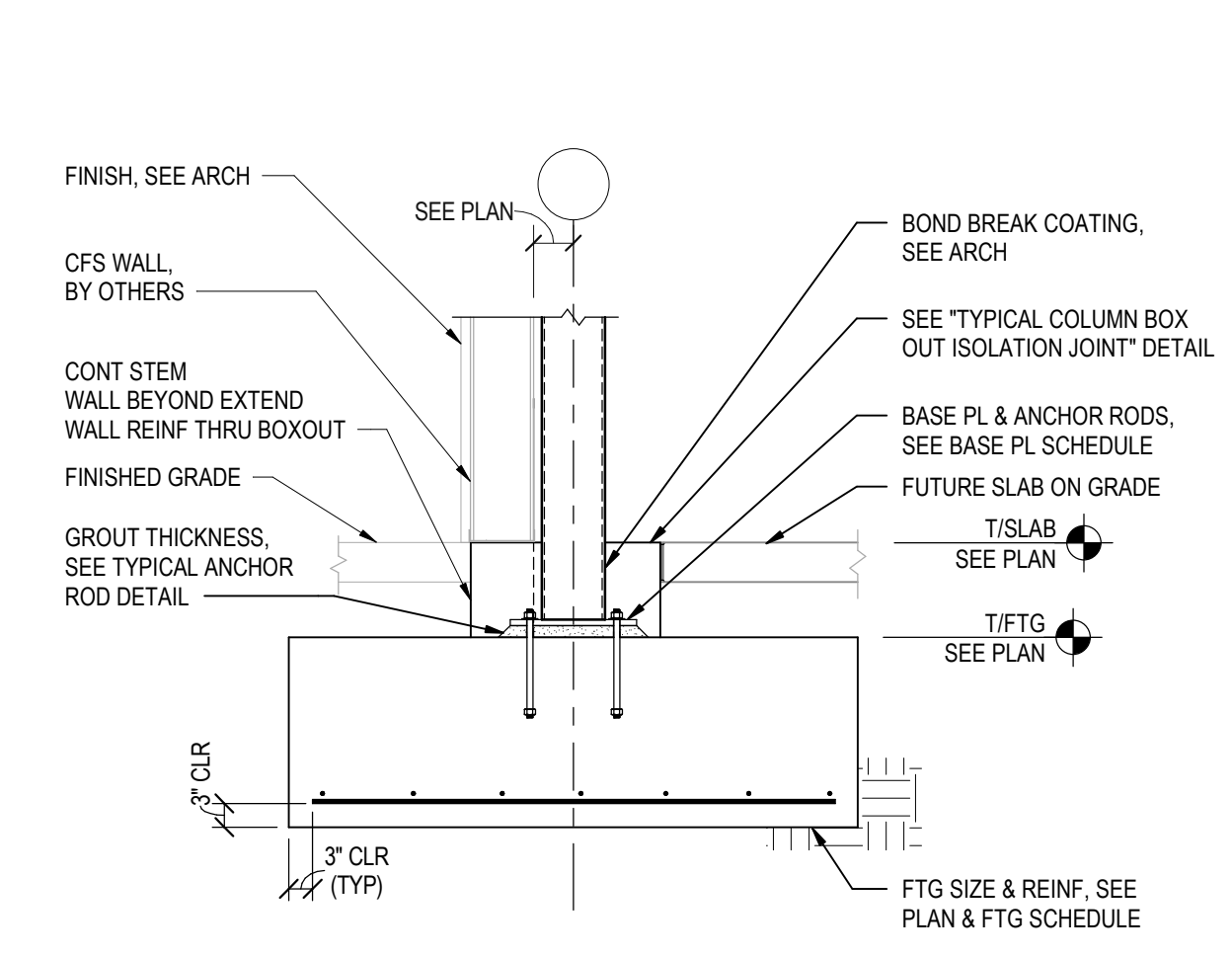
S201



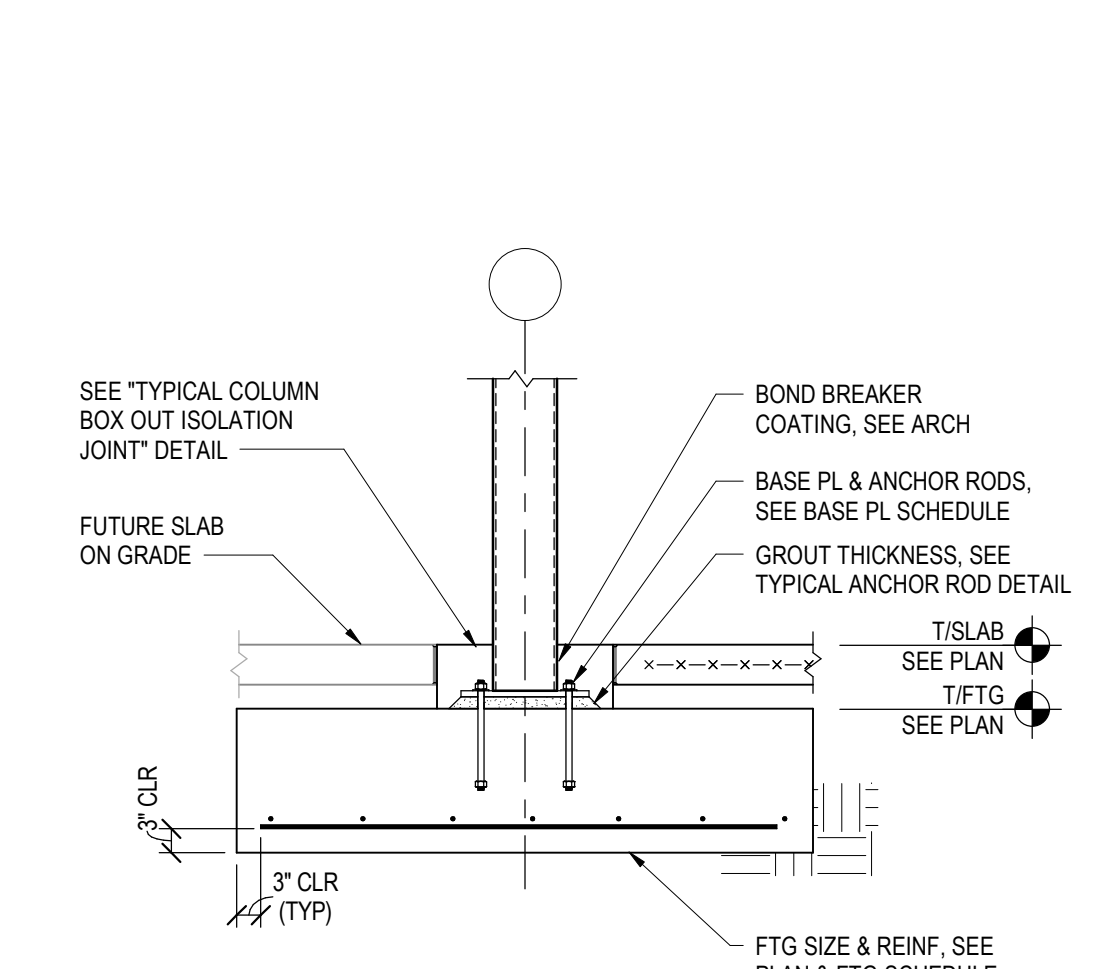
SECTION 1
1/2" = 1'-0" S211



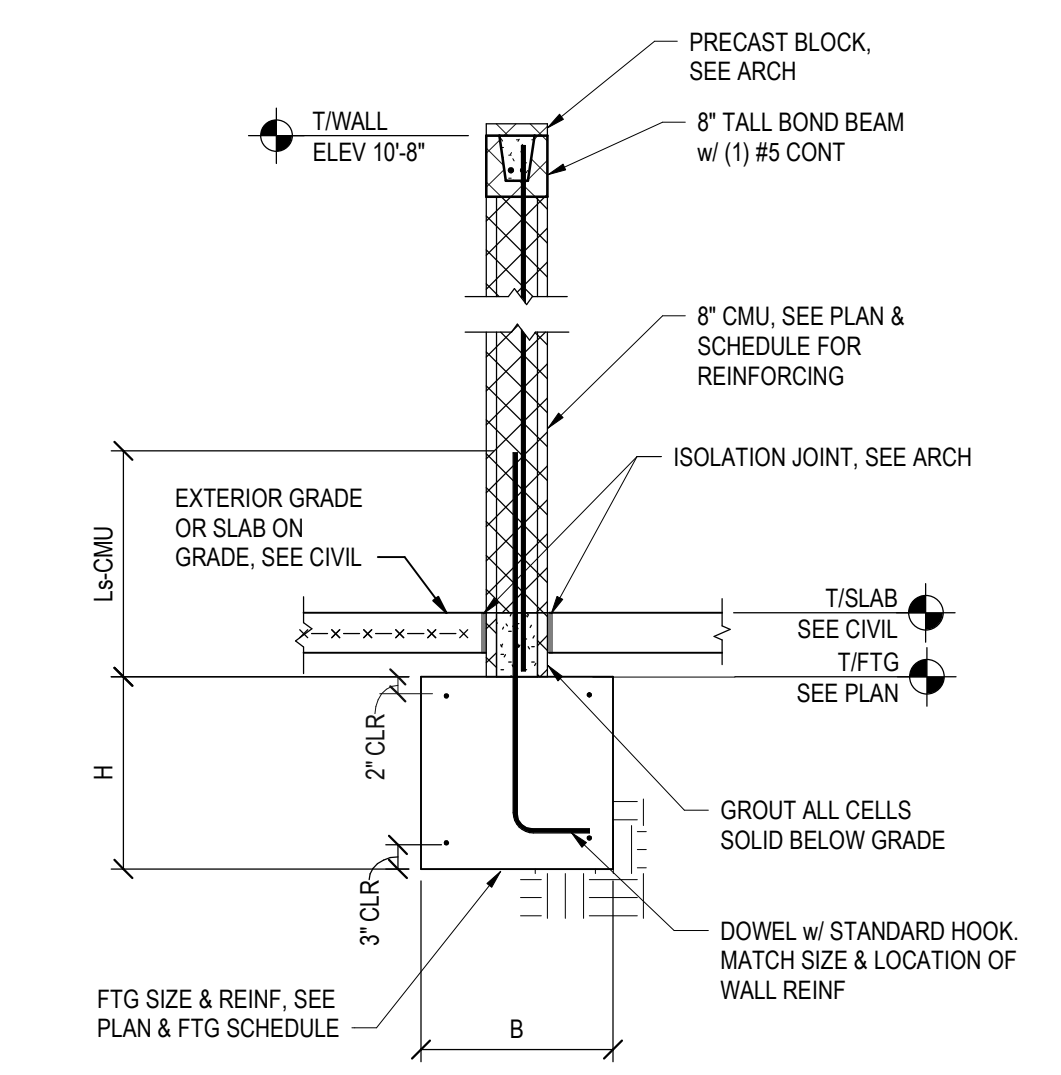
SECTION 2
1/2" = 1'-0" S211



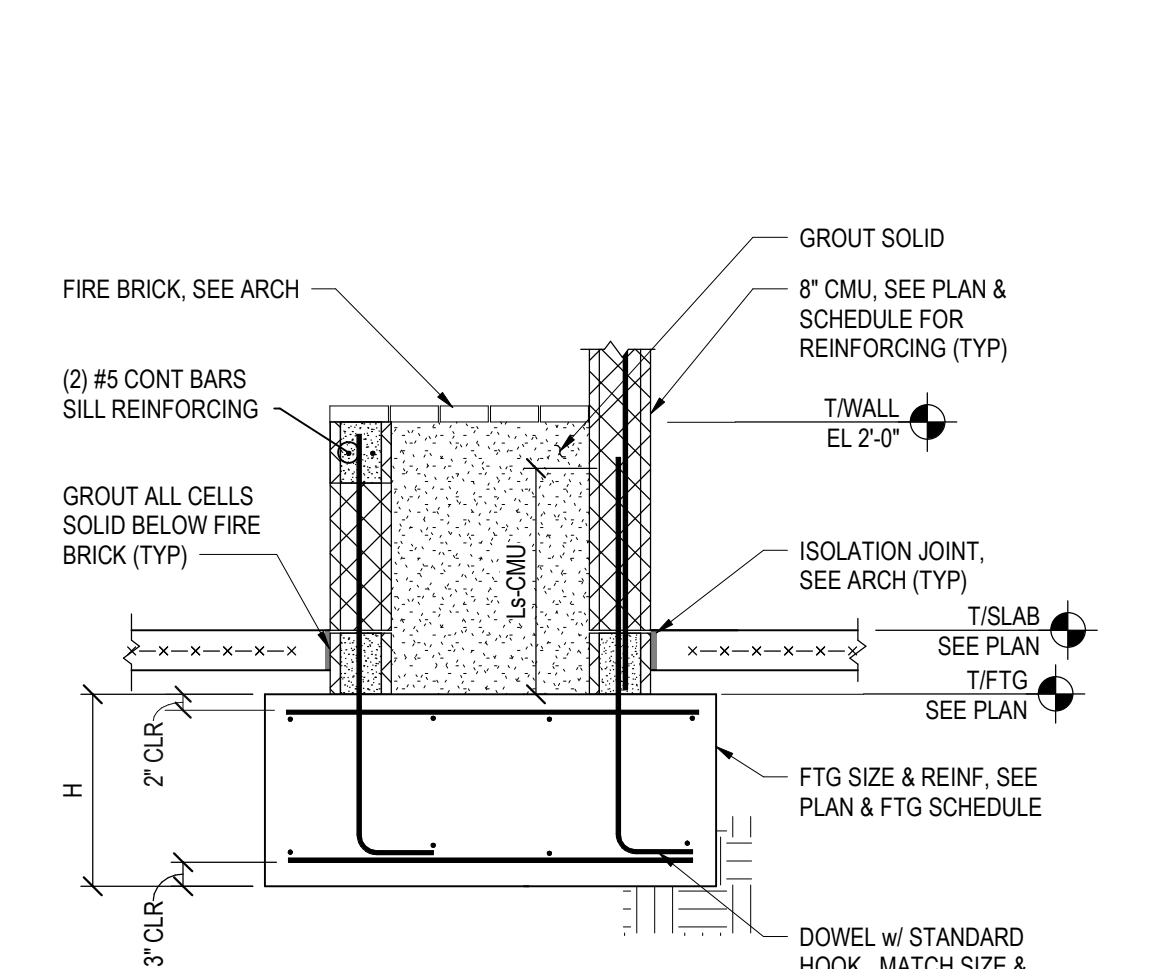
SECTION 3
1/2" = 1'-0" S211



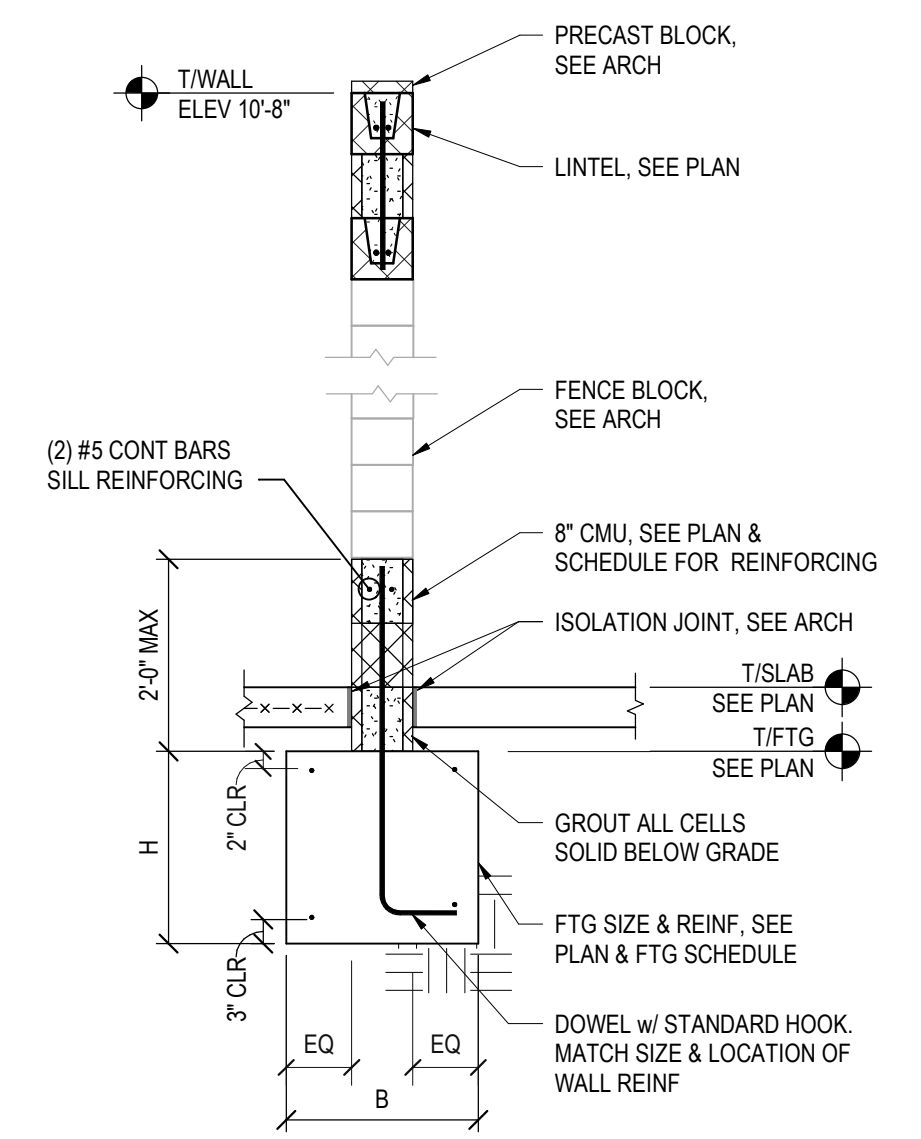
SECTION 4
1/2" = 1'-0" S211



SECTION 5
1/2" = 1'-0" S211



SECTION 6
1/2" = 1'-0" S211



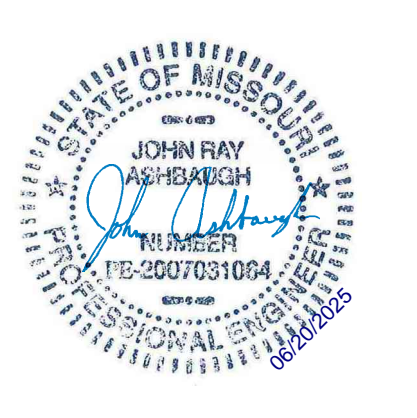
SECTION 7
1/2" = 1'-0" S211

Q39 (SHELL)
 LEE'S SUMMIT, MO
 OLDHAM VILLAGE

PROJECT NUMBER: 62910099

PROJECT MANAGER	DRAWING BY	CHECKED BY
DDA	GJB	

PROFESSIONAL SEAL



COPYRIGHT NOTICE
 THIS DRAWING WAS PREPARED FOR USE ON A SPECIFIC SITE. CONTRACTORS SHALL VERIFY ALL DIMENSIONS AND CONDITIONS WITH THE ARCHITECT PRIOR TO CONSTRUCTION. ANY REVISIONS TO THIS DRAWING SHALL BE MADE BY THE ARCHITECT. THIS DRAWING IS THE PROPERTY OF BRR ARCHITECTURE INC. AND IS NOT TO BE REPRODUCED OR TRANSMITTED IN ANY FORM OR BY ANY MEANS, ELECTRONIC OR MECHANICAL, INCLUDING PHOTOCOPYING, RECORDING, OR BY ANY INFORMATION STORAGE AND RETRIEVAL SYSTEM, WITHOUT THE WRITTEN CONSENT OF BRR ARCHITECTURE INC.

ISSUES AND REVISIONS

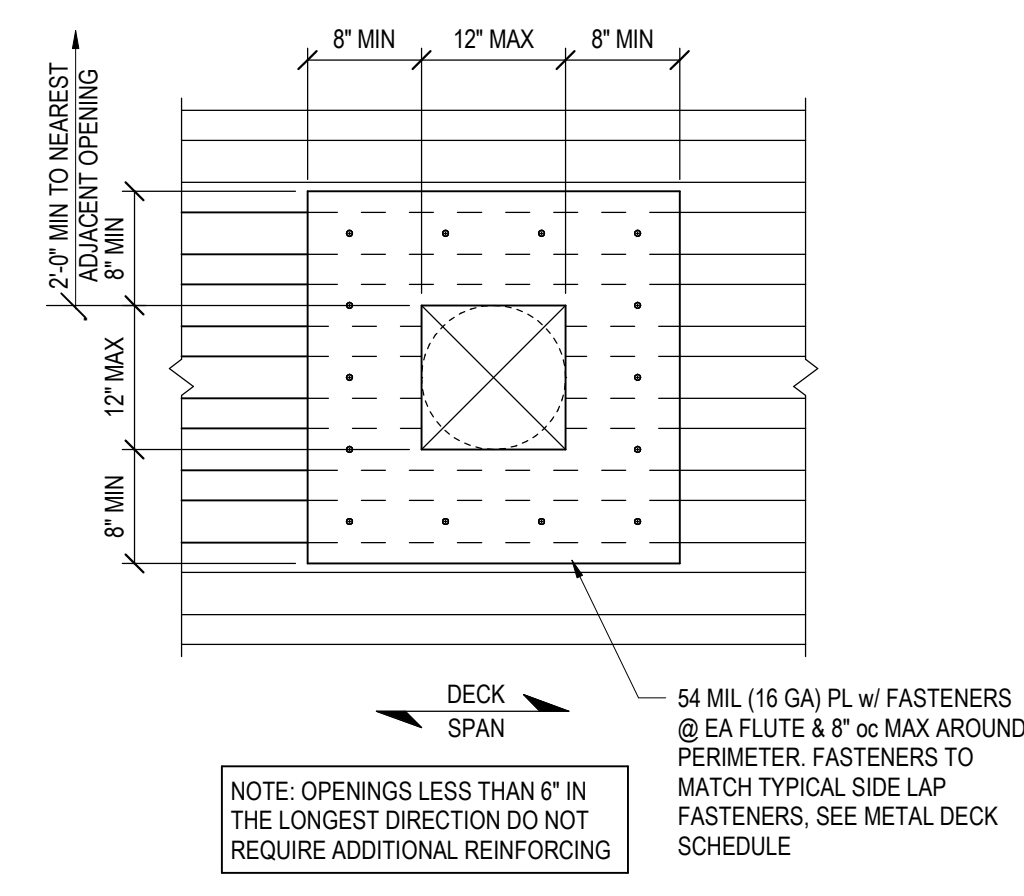
NUMBER	DATE	DESCRIPTION
1		
2		
3		
4		
5		
6		
7		
8		
9		
10		

SHEET NAME
FOUNDATION DETAILS & SECTIONS
 SHEET NUMBER

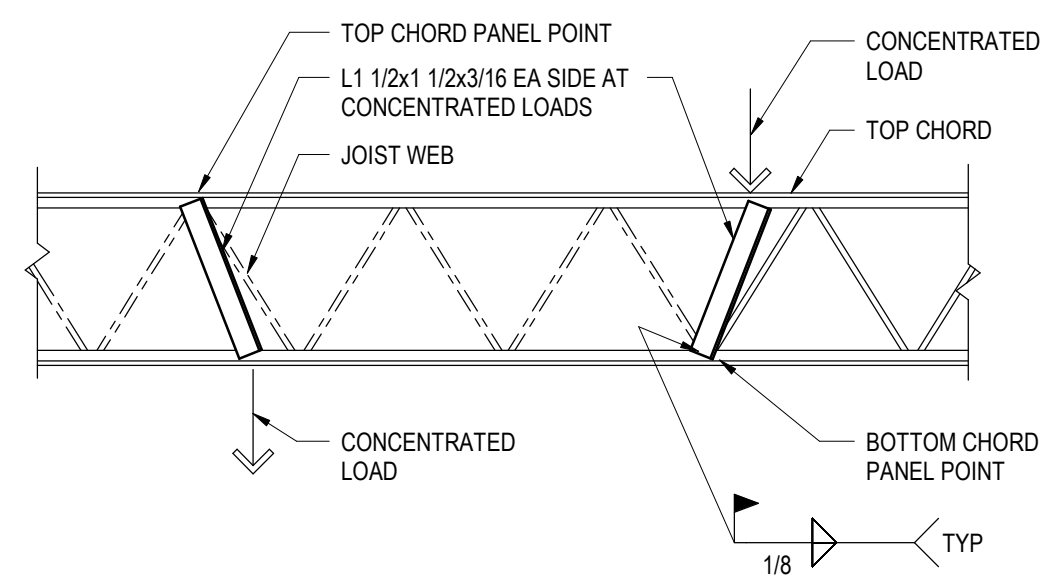
STRUCTURAL ENGINEERS
 800.542.3302
 schaefer-inc.com
schaefer

COPYRIGHT 2020. THE INFORMATION CONTAINED HEREIN IS THE PROPERTY OF SCHAEFER ENGINEERING AND IS NOT TO BE REPRODUCED OR TRANSMITTED IN ANY FORM OR BY ANY MEANS, ELECTRONIC OR MECHANICAL, INCLUDING PHOTOCOPYING, RECORDING, OR BY ANY INFORMATION STORAGE AND RETRIEVAL SYSTEM, WITHOUT THE WRITTEN CONSENT OF SCHAEFER ENGINEERING.
 Structural Project Number: 241021
 BRR ORIGINAL, PRINTED ON RECYCLED PAPER

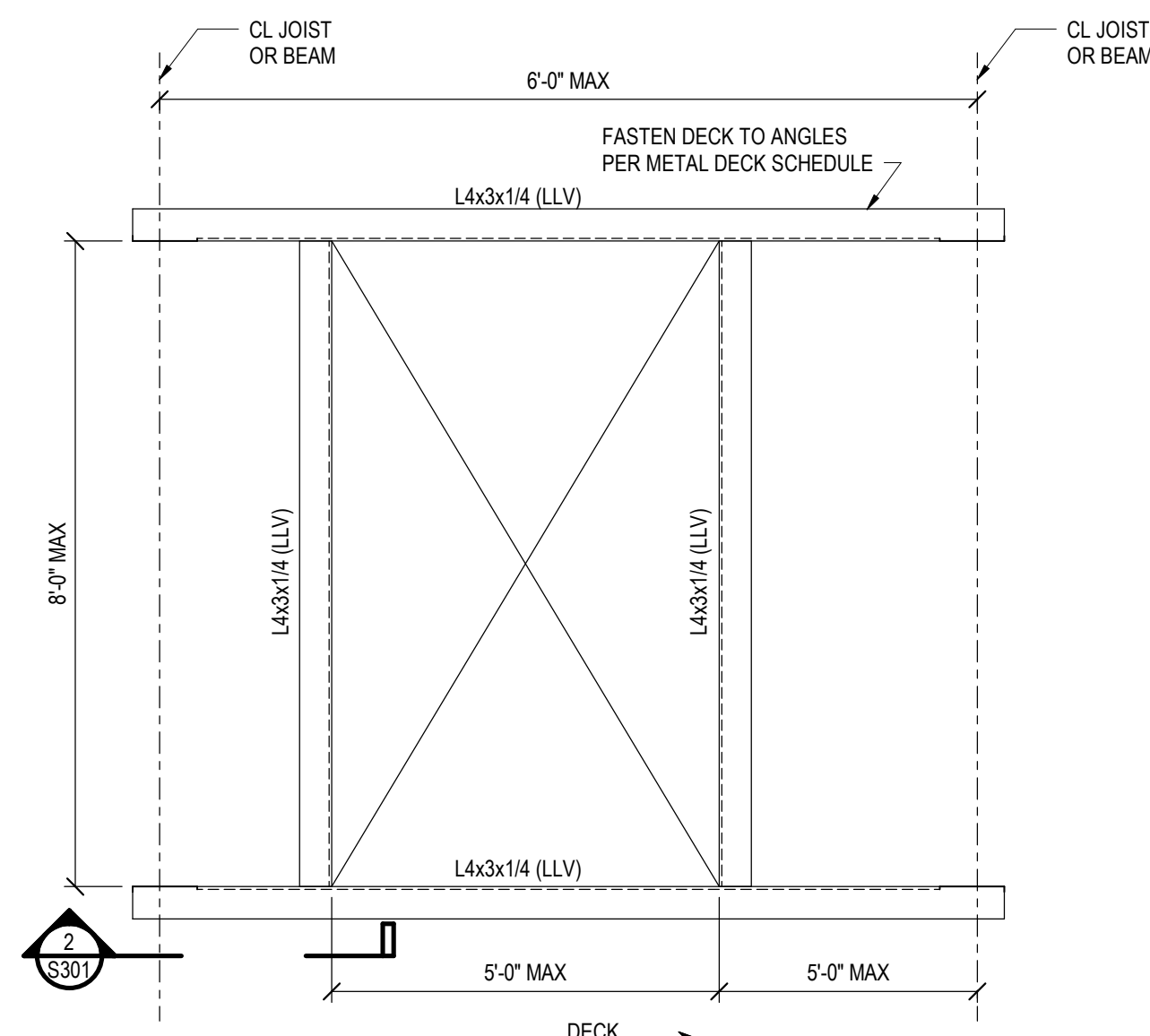
S211



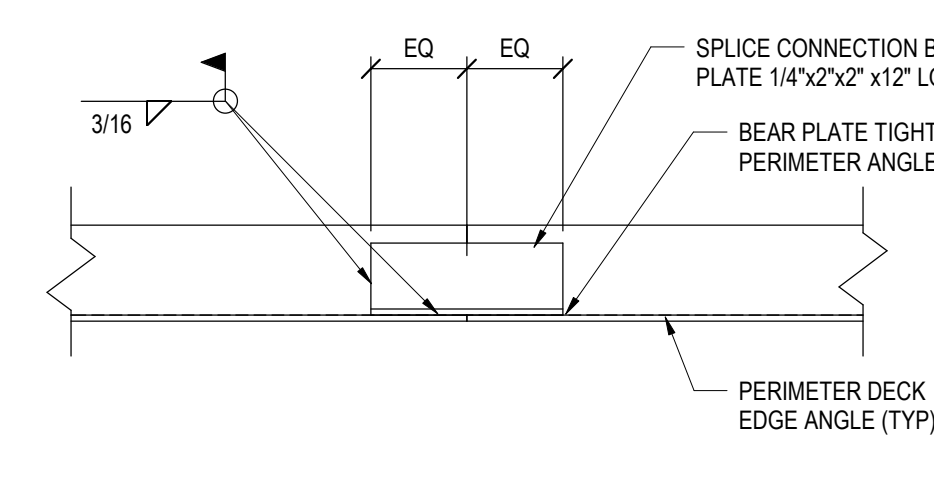
TYPICAL SMALL ROOF DECK OPENING DETAIL FOR OPENINGS ≤ 12' NTS



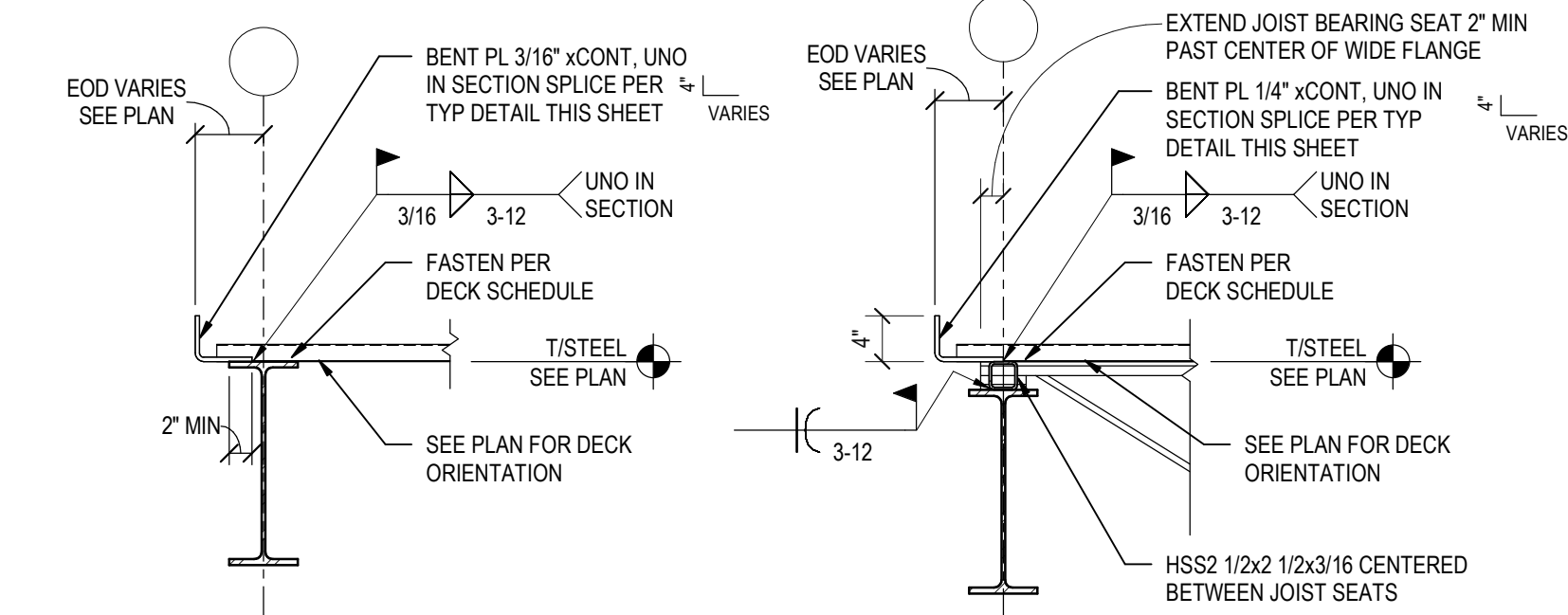
TYPICAL SUPPORT OF CONCENTRATED LOADS NOT AT JOIST PANEL POINTS NTS



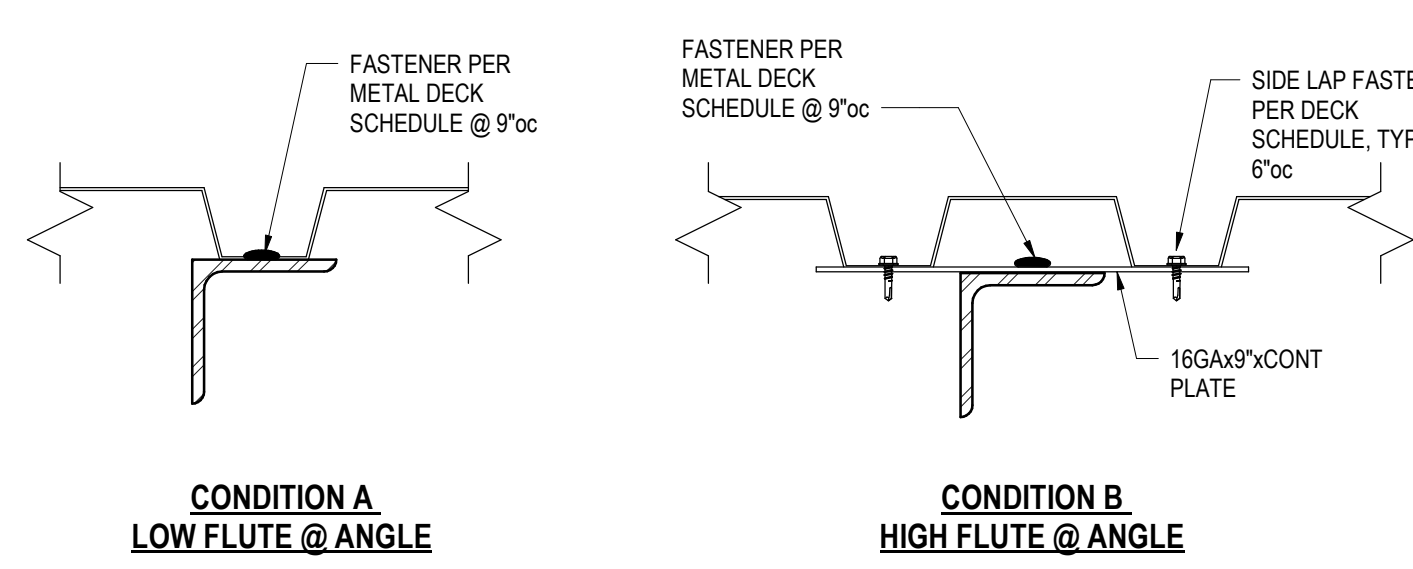
TYPICAL LARGE ROOF DECK OPENING DETAIL NTS



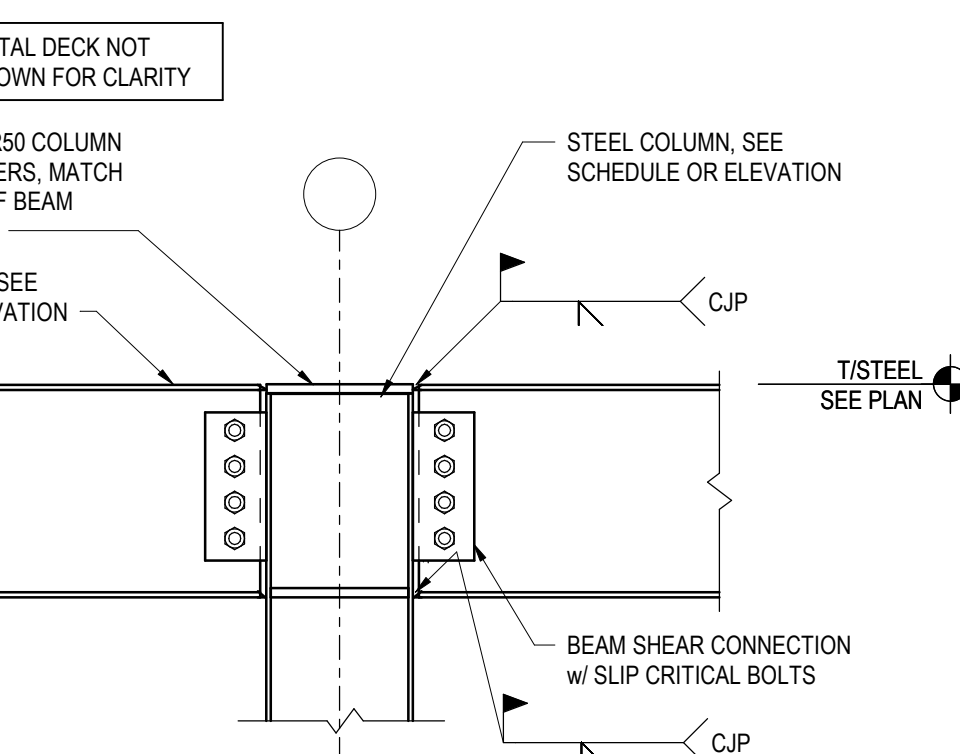
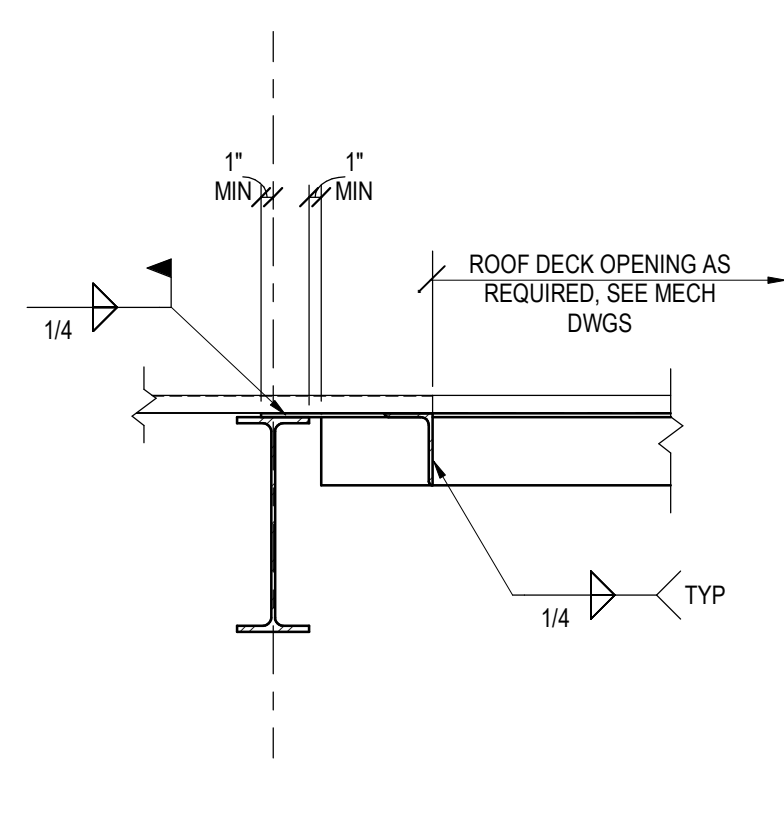
TYPICAL DECK ANGLE SPLICE DETAIL NTS



TYPICAL EDGE OF ROOF DECK DETAIL NTS

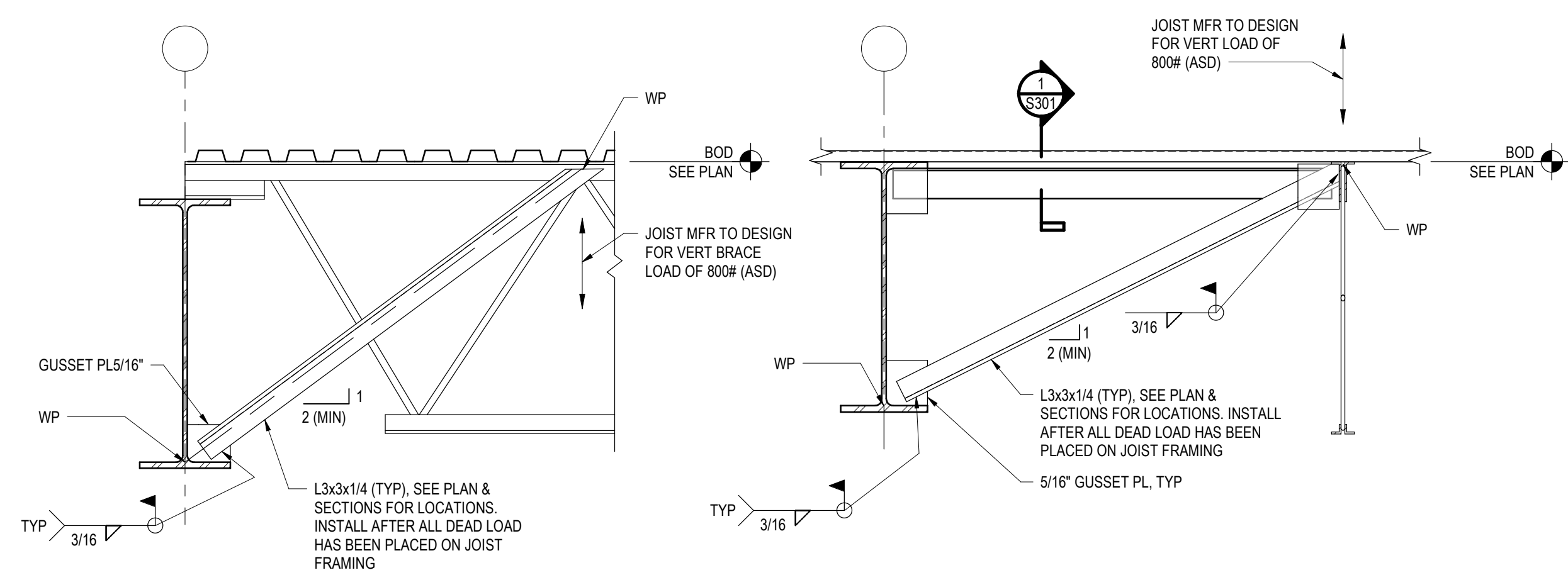


TYPICAL ANGLE TO BEAM CONNECTION NTS

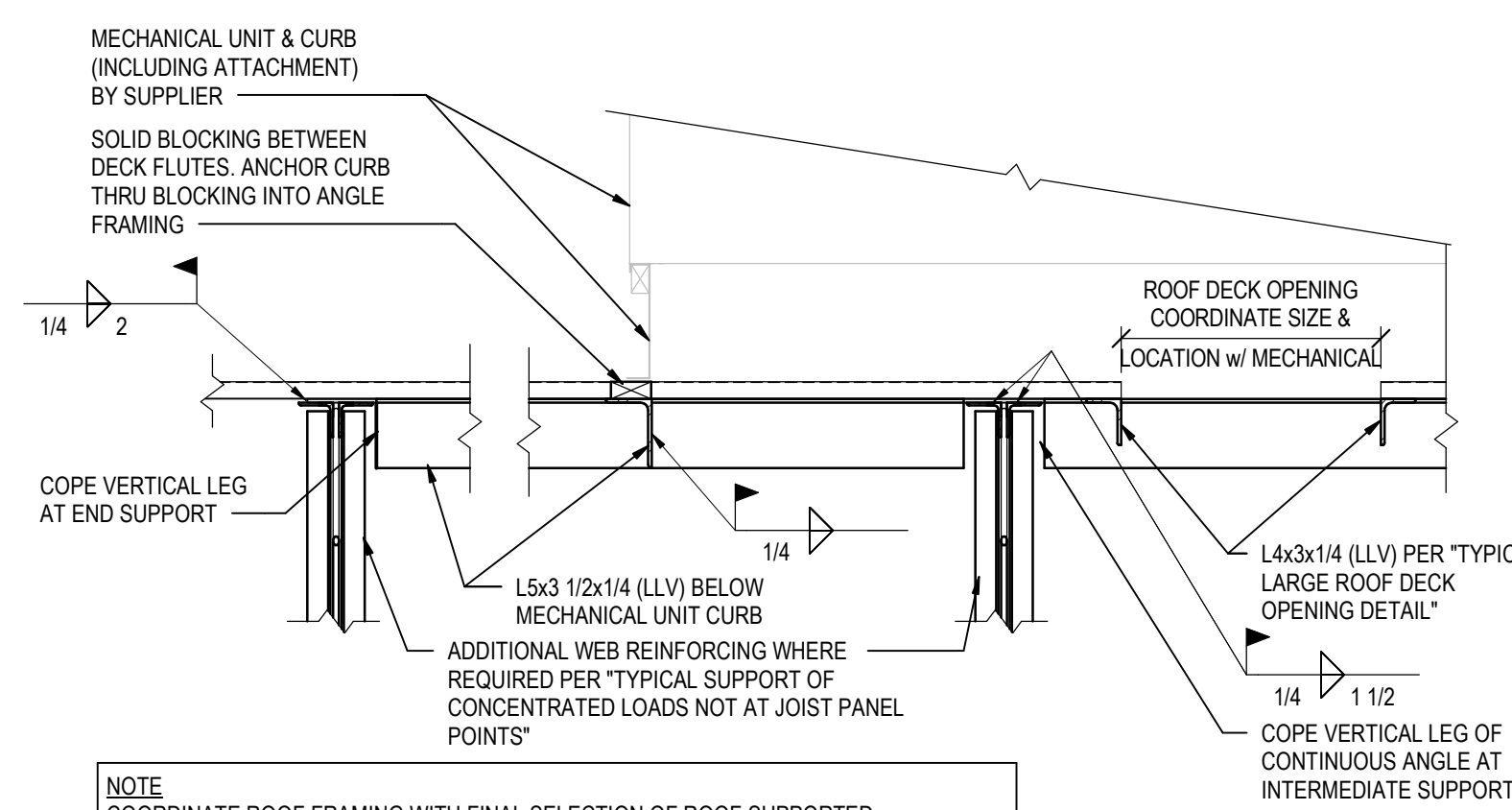


NOTES:
1. WHERE NO FORCES ARE INDICATED, DESIGN CONNECTION FOR FULL MOMENT CAPACITY OF MEMBER, USING LRFD DESIGN PROCEDURES.
2. ALTERNATE BOLTED MOMENT CONNECTION DETAILS MAY BE SUBMITTED FOR REVIEW AT STEEL FABRICATOR'S OPTION.

TYPICAL BEAM TO COLUMN MOMENT CONNECTION (WELDED) 3/4" = 1'-0"

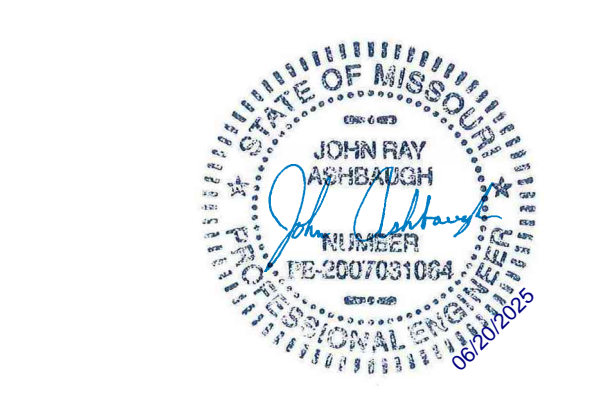


TYPICAL BEAM BOTTOM FLANGE BRACING DETAIL AT ROOF 3/4" = 1'-0"



TYPICAL ROOF MECHANICAL UNIT SUPPORT - CURB ON DECK 3/4" = 1'-0"

PROJECT NUMBER	62910099
PROJECT MANAGER	DA
DRAWN BY	GJB
CHECKED BY	



COPYRIGHT NOTICE
THIS DRAWING WAS PREPARED FOR USE ON A SPECIFIC DATE. CONTRACTOR SHALL BE RESPONSIBLE FOR THE DATE AND TO WHAT PURPOSE FOR USE ON A DIFFERENT PROJECT DATE OR IN A LATER REVISED USE OF THIS DRAWING. ANY REUSE OF THIS DRAWING FOR ANY OTHER PROJECT WITHOUT THE SERVICES OF PROPER LICENSED ARCHITECTS AND ENGINEERS. REPRODUCTION OF THIS DRAWING FOR USE ON ANOTHER PROJECT IS NOT AUTHORIZED AND MAY BE CONTRARY TO THE LAW.

ISSUES AND REVISIONS

NUMBER	DATE	DESCRIPTION
1 <td></td> <td></td>		
2 <td></td> <td></td>		
3 <td></td> <td></td>		
4 <td></td> <td></td>		
5 <td></td> <td></td>		
6 <td></td> <td></td>		
7 <td></td> <td></td>		
8 <td></td> <td></td>		
9 <td></td> <td></td>		
10 <td></td> <td></td>		

STRUCTURAL ENGINEERS
800.542.3302
schaefer-inc.com
schaefer

Q39 (SHELL)
LEE'S SUMMIT, MO
OLDHAM VILLAGE

PROJECT NUMBER	62910099				
PROJECT MANAGER	DMA	DRAWN BY	GJB	CHECKED BY	
PROFESSIONAL SEAL					



COPYRIGHT NOTICE
THIS DRAWING WAS PREPARED FOR USE ON A SPECIFIC DATE. CONTAINED HEREIN IS THE PROPERTY OF BRR ARCHITECTURE INC. NO PART OF THIS DRAWING IS TO BE REPRODUCED OR TRANSMITTED IN ANY FORM OR BY ANY MEANS, ELECTRONIC OR MECHANICAL, INCLUDING PHOTOCOPYING, RECORDING, OR BY ANY INFORMATION STORAGE AND RETRIEVAL SYSTEM, WITHOUT THE WRITTEN CONSENT OF BRR ARCHITECTURE INC.

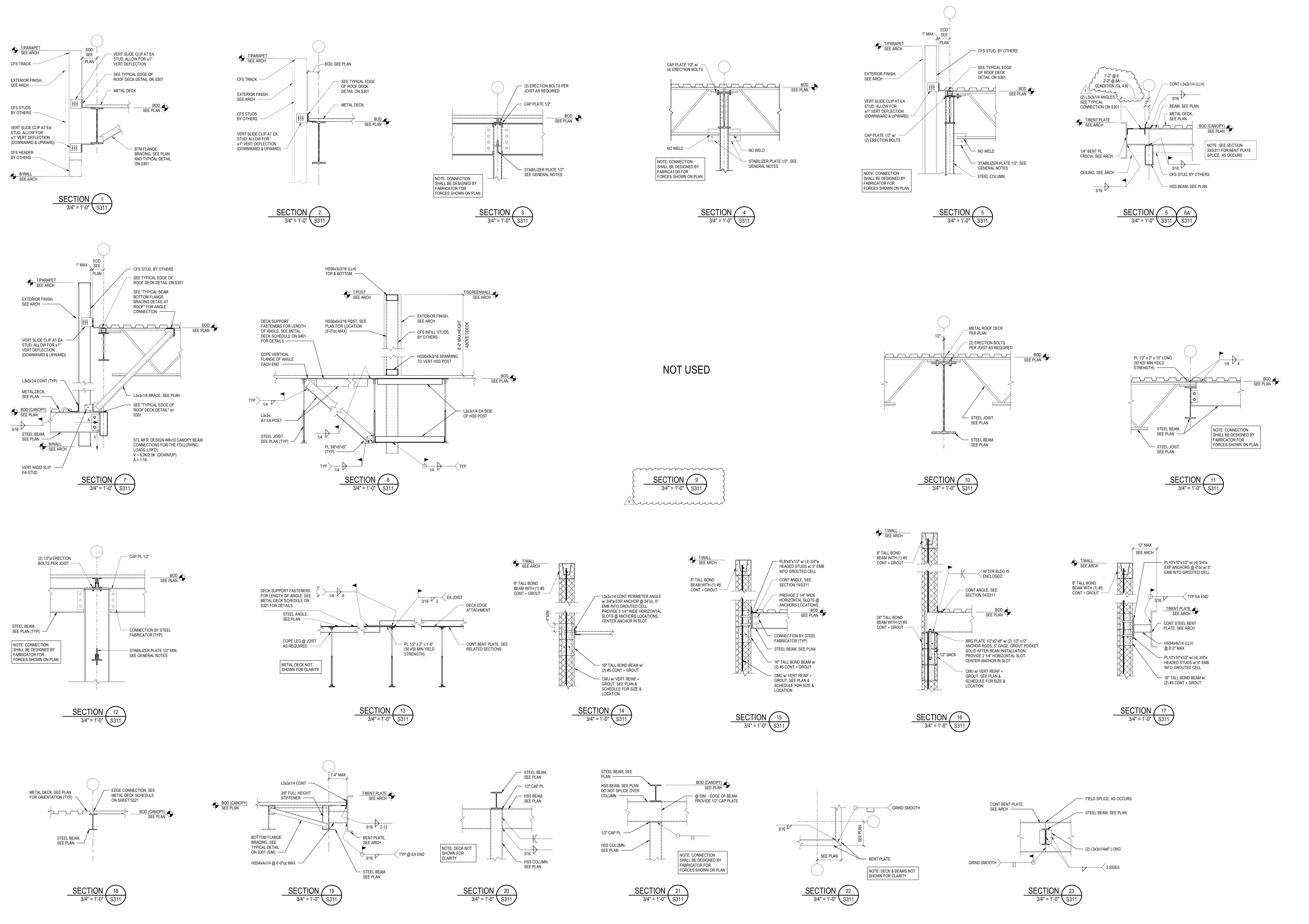
ISSUES AND REVISIONS			
NUMBER	DATE	BY	DESCRIPTION
1		DESIGNS	ADDITIONAL 1

SHEET NAME

FRAMING DETAILS & SECTIONS

SHEET NUMBER

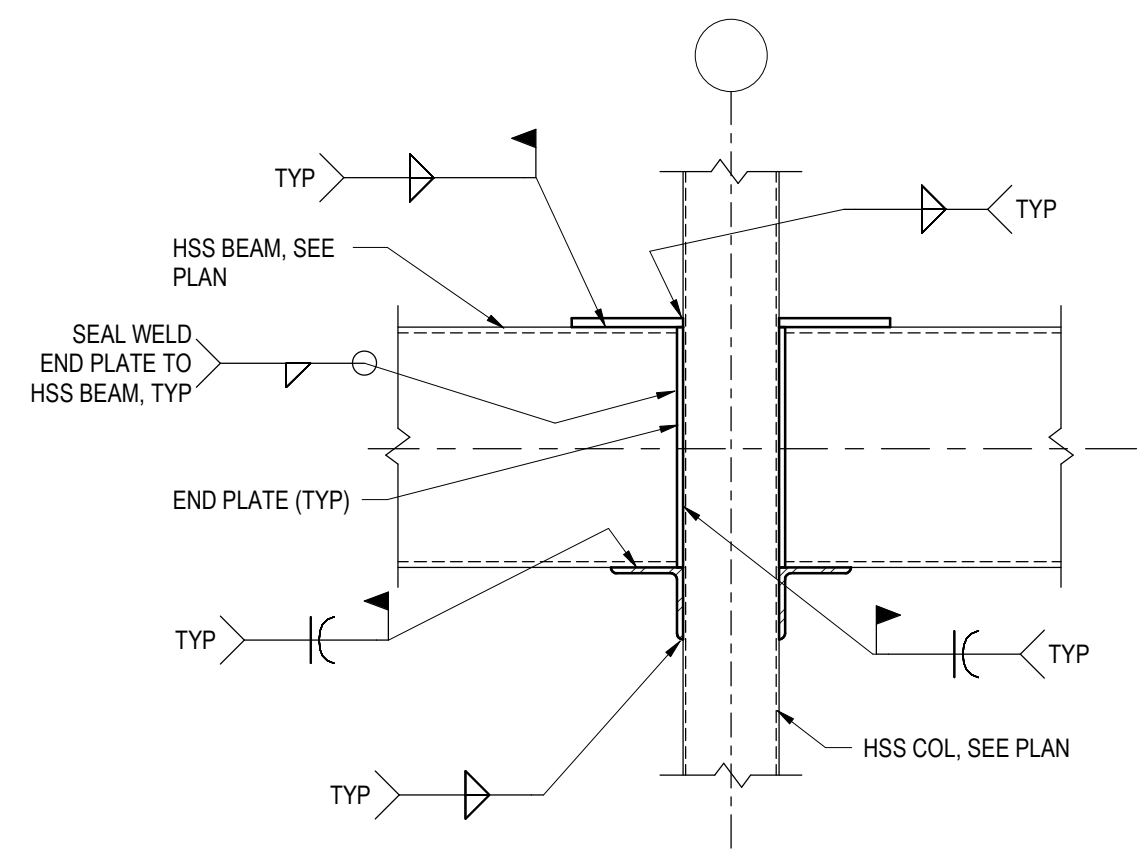
S311



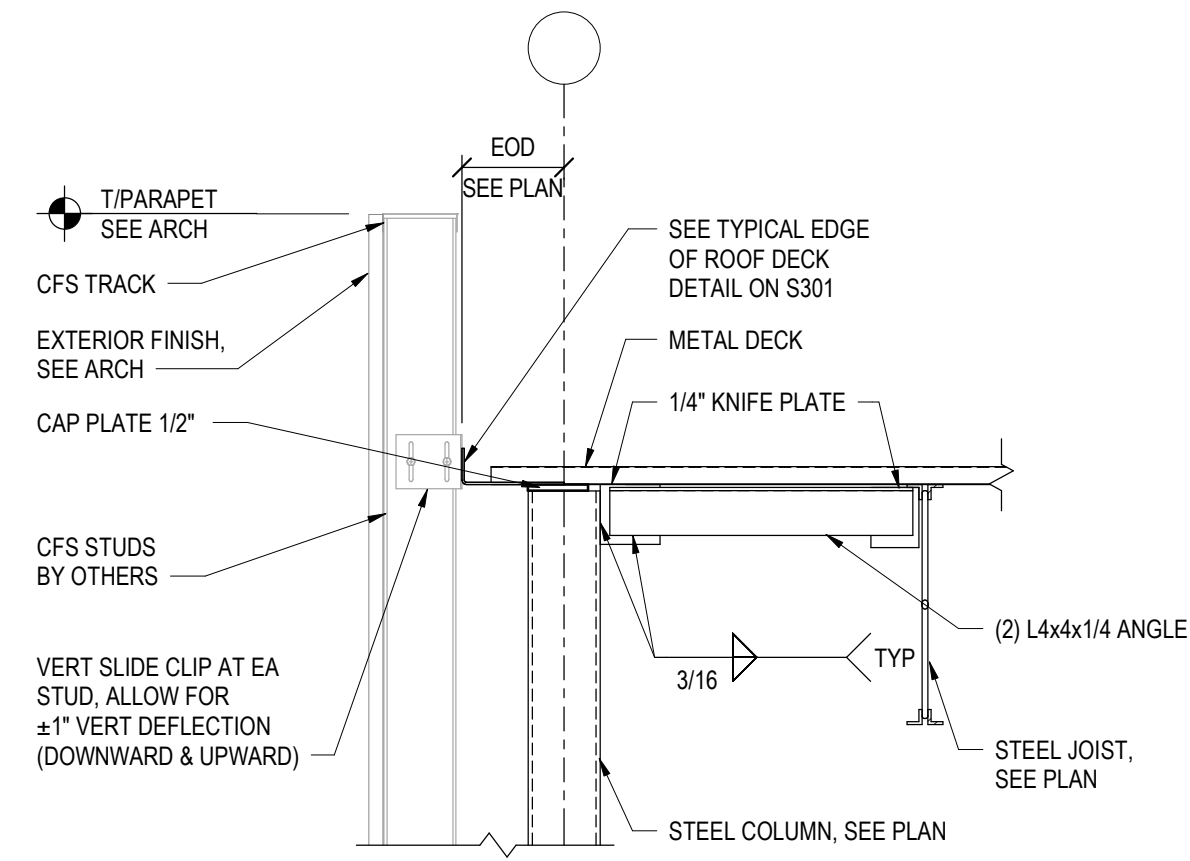
STRUCTURAL ENGINEERS
800.542.3302
schaefer-inc.com

schaefer

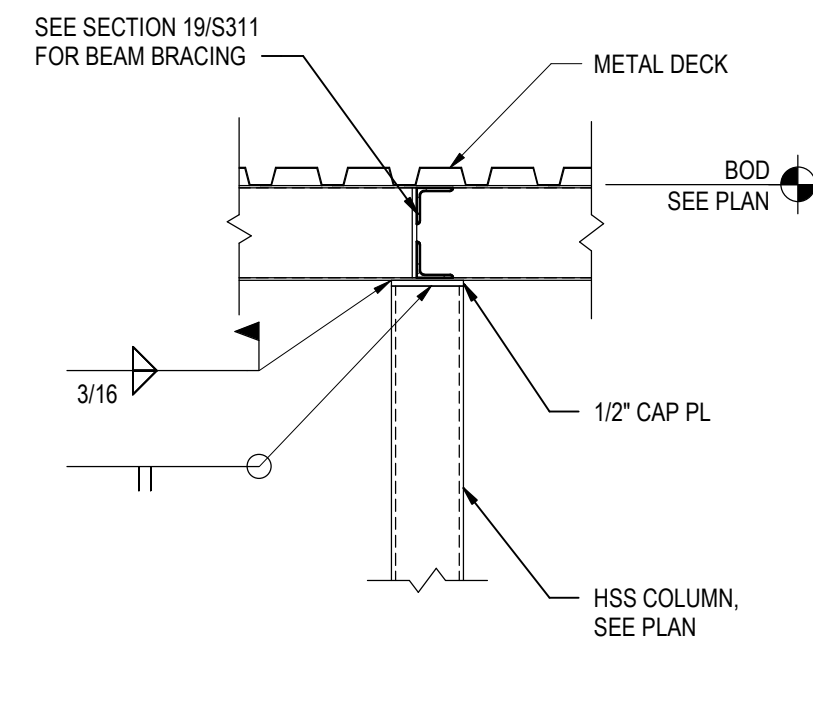
COPYRIGHT 2022. ALL RIGHTS RESERVED. THE PRODUCT AND EXCLUSIVE PROPERTY OF SCHAEFER ENGINEERING. NO PART OF THIS DRAWING IS TO BE REPRODUCED OR TRANSMITTED IN ANY FORM OR BY ANY MEANS, ELECTRONIC OR MECHANICAL, INCLUDING PHOTOCOPYING, RECORDING, OR BY ANY INFORMATION STORAGE AND RETRIEVAL SYSTEM, WITHOUT THE WRITTEN CONSENT OF SCHAEFER ENGINEERING. SHEET NUMBER: 24/1021



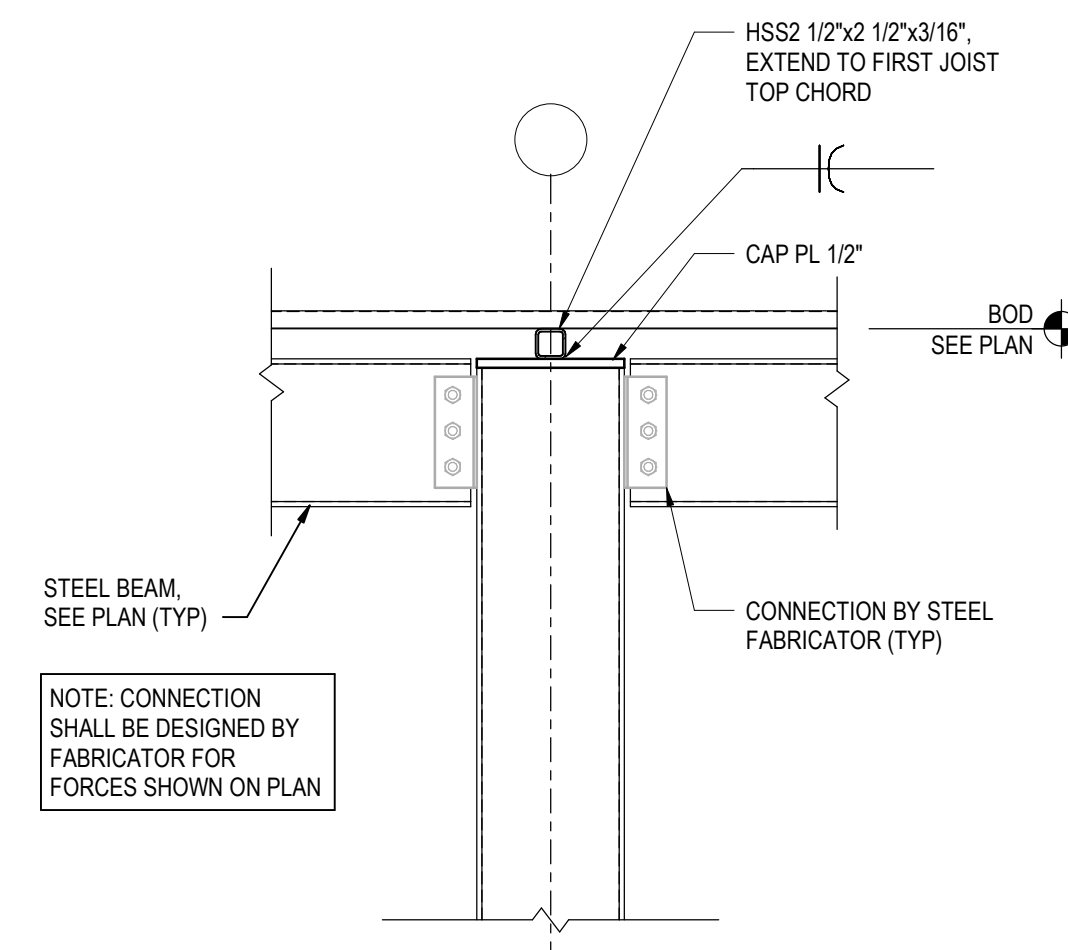
SECTION 1
3/4" = 1'-0" S312



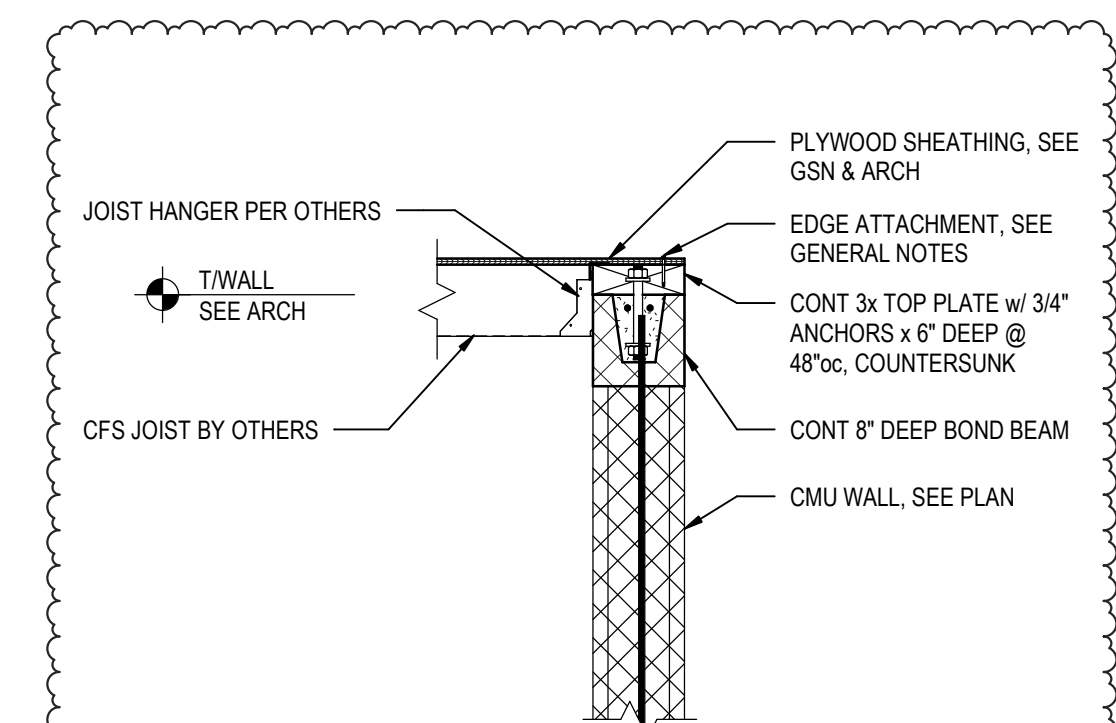
SECTION 2
3/4" = 1'-0" S312



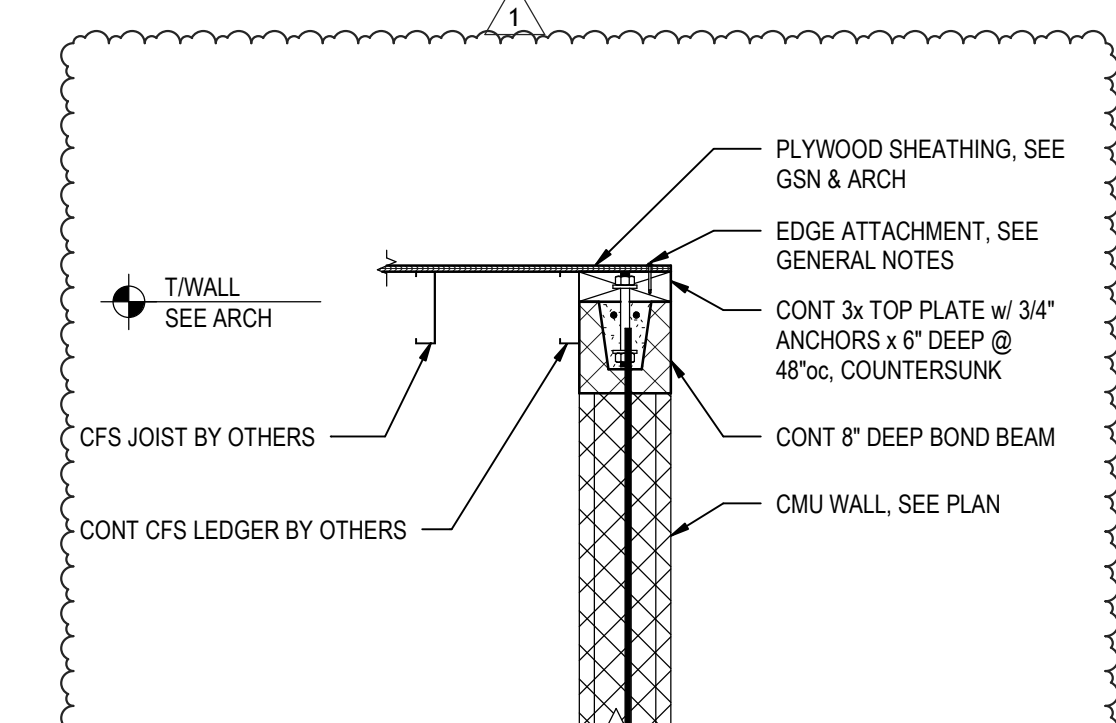
SECTION 3
3/4" = 1'-0" S312



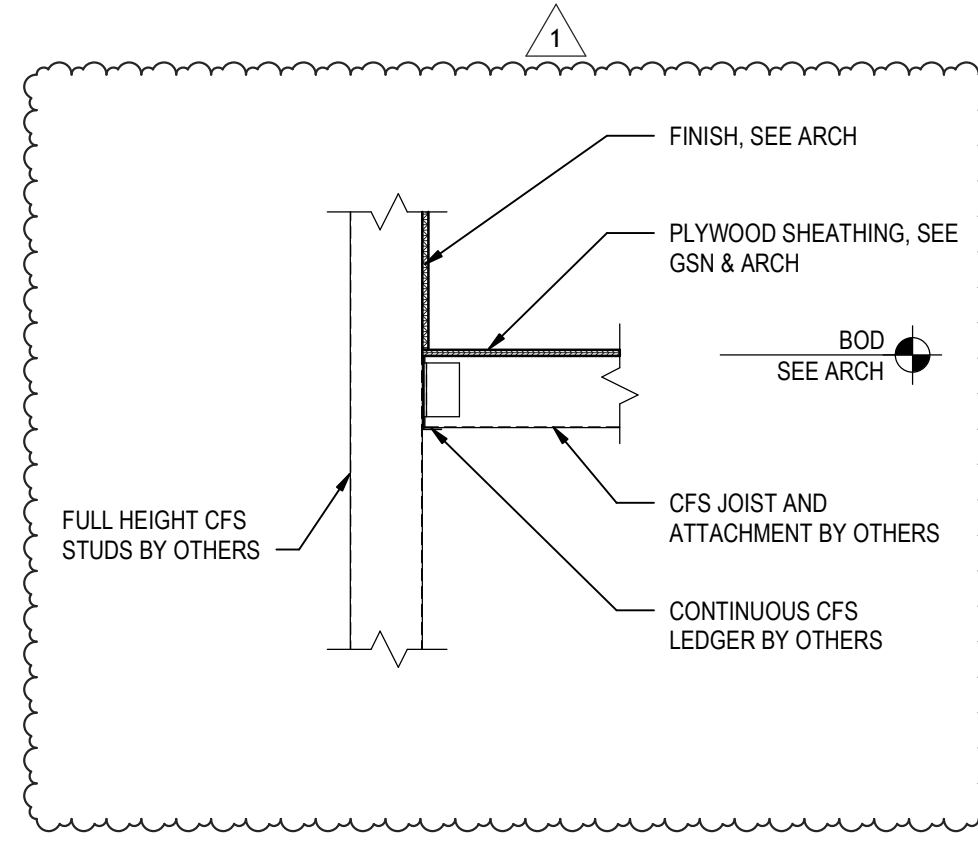
SECTION 4
3/4" = 1'-0" S312



SECTION 5
3/4" = 1'-0" S312



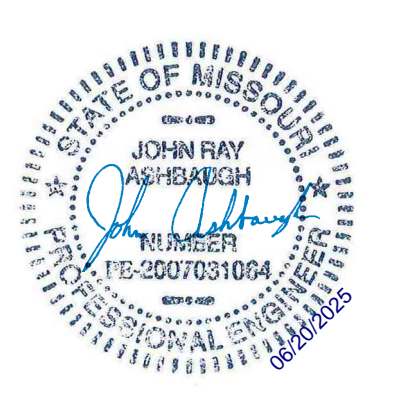
SECTION 6
3/4" = 1'-0" S312



SECTION 7
3/4" = 1'-0" S312

Q39 (SHELL)
LEE'S SUMMIT, MO
OLDHAM VILLAGE

PROJECT NUMBER	62910099
PROJECT MANAGER	DDA
DRAWN BY	GJB
CHECKED BY	
PROFESSIONAL SEAL	



COPYRIGHT NOTICE
THIS DRAWING WAS PREPARED FOR USE ON A SPECIFIC SITE. CONTRACTORS SHALL VERIFY ALL DIMENSIONS AND CONDITIONS PRIOR TO CONSTRUCTION. ANY REVISIONS TO THIS DRAWING SHALL BE MADE BY THE ARCHITECT OF RECORD. THE ARCHITECT OF RECORD SHALL NOT BE RESPONSIBLE FOR ANY ERRORS OR OMISSIONS IN THIS DRAWING OR FOR ANY DAMAGE TO PERSONS OR PROPERTY CAUSED BY THE USE OF THIS DRAWING. THE ARCHITECT OF RECORD SHALL NOT BE RESPONSIBLE FOR ANY DAMAGE TO PERSONS OR PROPERTY CAUSED BY THE USE OF THIS DRAWING.

ISSUES AND REVISIONS

NUMBER	DATE	DESCRIPTION
1	ISSUES	
2	REVISIONS	ADDENDUM 1

SHEET NAME

FRAMING DETAILS & SECTIONS

SHEET NUMBER

S312

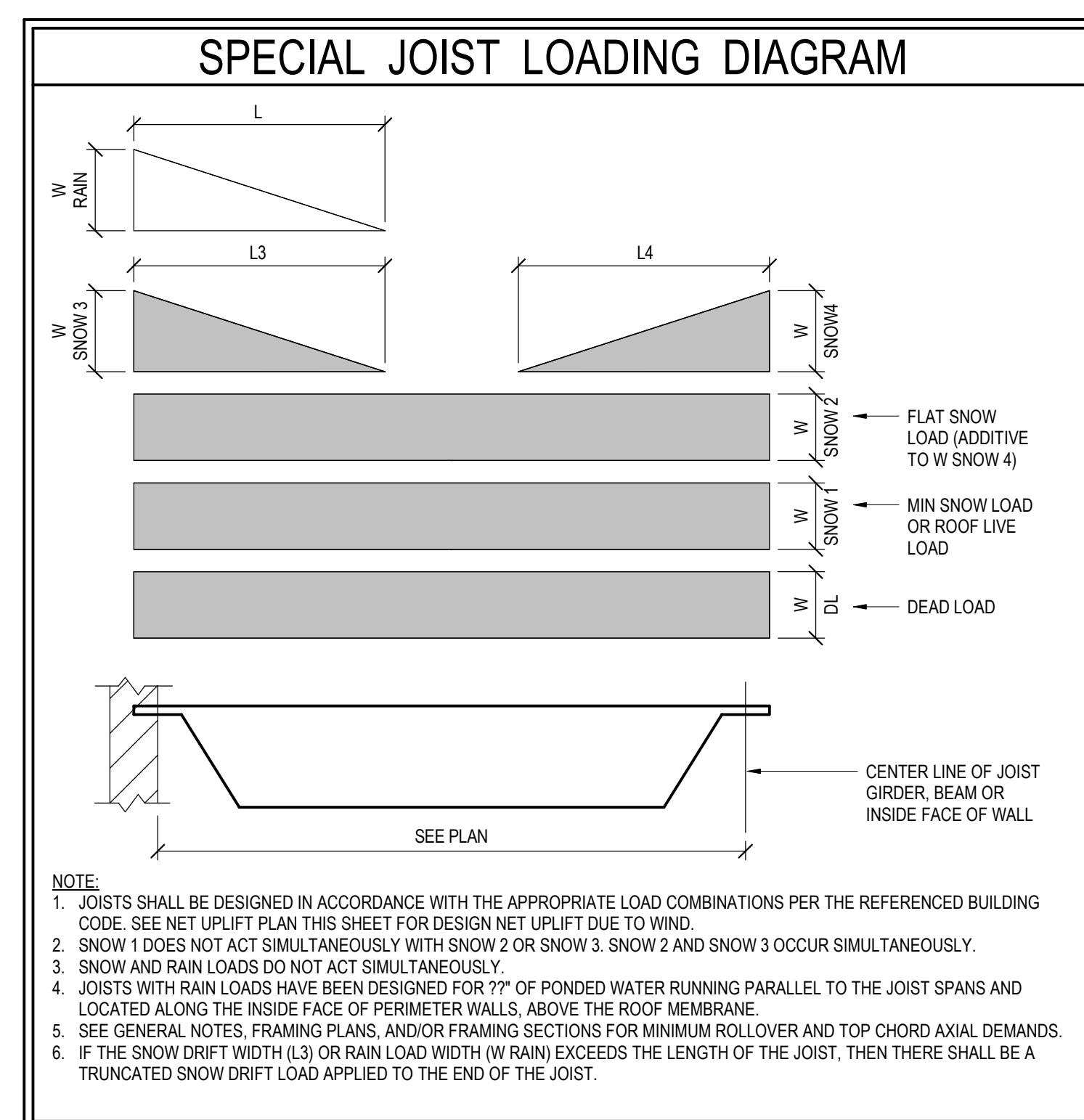
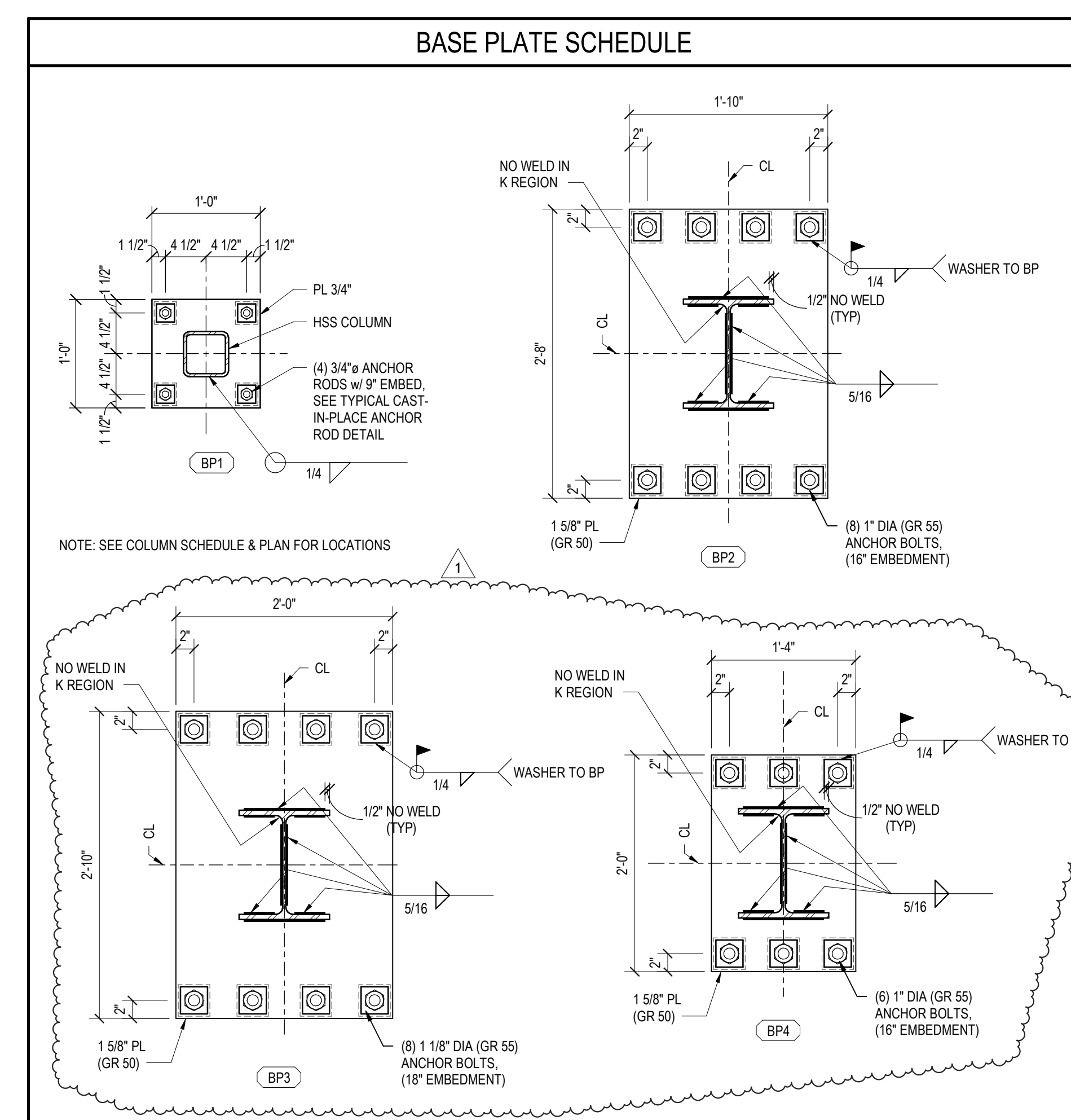
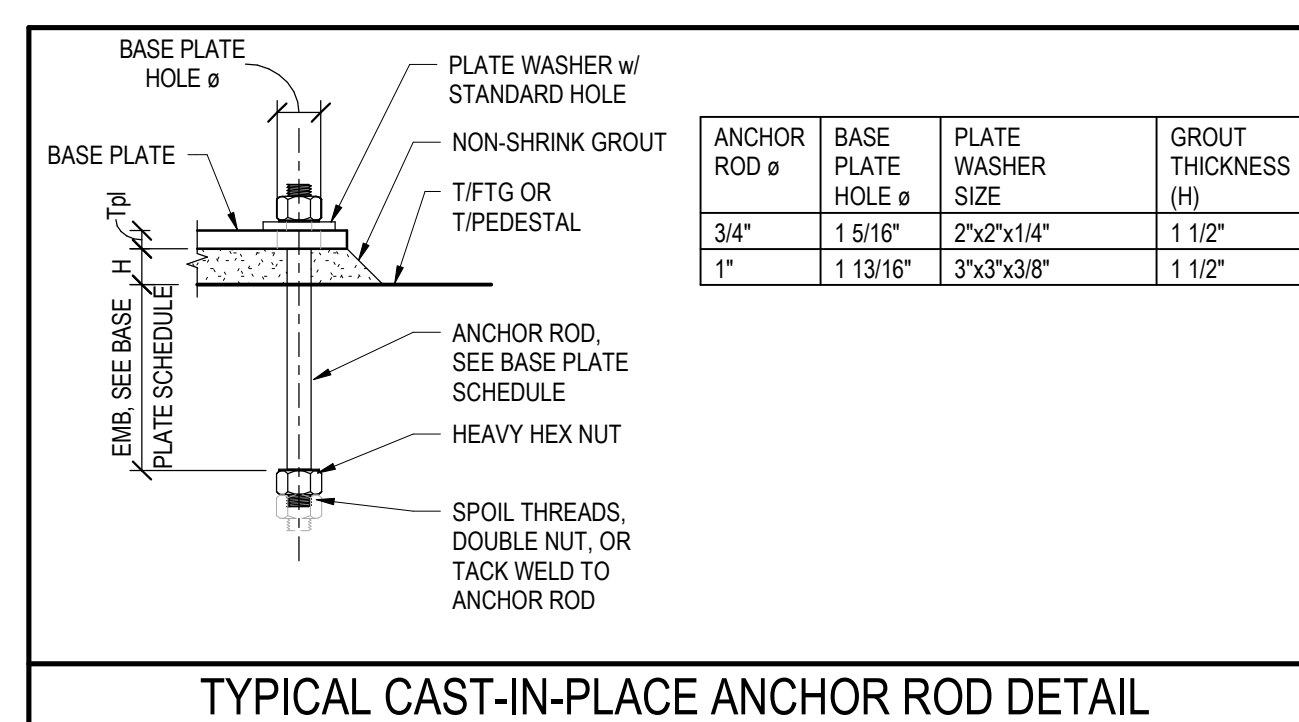
STRUCTURAL ENGINEERS
800.542.3302
schaefer-inc.com

schaefer

COPYRIGHT 2025. THE INFORMATION CONTAINED HEREIN IS THE PROPERTY OF SCHAEFER ENGINEERING AND IS TO BE USED ONLY FOR THE PROJECT AND SITE SPECIFICALLY IDENTIFIED HEREIN. ANY REUSE OR MODIFICATION OF THIS INFORMATION WITHOUT THE WRITTEN CONSENT OF SCHAEFER ENGINEERING IS STRICTLY PROHIBITED.

METAL DECK SCHEDULE			
MARK	SIZE/PROPERTIES	PROFILE/ATTACHMENT	FASTENERS
D-1	TYPE: 1 1/2" WIDE RIB ROOF DECK GA: Z2 GA F. (MIN): 50 KSI FINISH: GALVANIZED	<p>36" COVERAGE SHEET COVER WIDTH</p> <p>SUPPORT FASTENERS AT SHEET END LAPS, AT WALLS, & AT BEAM LINES w/ AXIAL LOADS</p> <p>SUPPORT FASTENERS BETWEEN SHEET LAPS AT SUPPORTING STRUCTURE 36" PATTERN</p> <p>FASTENERS AT WALLS/EDGERS</p>	<p>SIDE LAP: MIN 1H #10 SDS CONNECTIONS PER SPAN</p> <p>SUPPORT FASTENERS: HILTI X-ENP-19 PAF OR HILTI X-HSN-24, SEE NOTE BELOW</p>

NOTE: GC TO COORDINATE DECK SUPPORT FASTENERS BASED ON SUPPORT MEMBER THICKNESS
SUPPORT MEMBER THICKNESS 1/8" TO 3/8" THICK: HILTI X-HSN-24
SUPPORT MEMBER THICKNESS > 3/8" THICK: HILTI X-ENP-19



JOIST MARK	W DL (PLF)	W SNOW 1 (PLF)	W SNOW 2 (PLF)	W SNOW 3 (PLF)	SNOW L3 (FT)	W SNOW 4 (PLF)	SNOW L4 (FT)	W RAIN (PLF)	RAIN L (FT)	l _{min} (in^4)
28KSP1	86	96	114	181	8'-6"	98	5'-0"	-	-	-
28KSP2	123	138	96	242	8'-6"	-	-	-	-	-
28KSP3	86	114	68	172	8'-6"	-	-	-	-	-
30KSP1	100	110	77	195	8'-6"	148	6'-0"	-	-	-
30KSP2	89	99	69	174	8'-6"	-	-	-	-	-
30KSP3	95	186	74	44	2'-0"	-	-	-	-	-
30KSP4	112	124	87	218	8'-6"	-	-	-	-	-
30KSP5	100	110	77	195	8'-6"	-	-	-	-	-

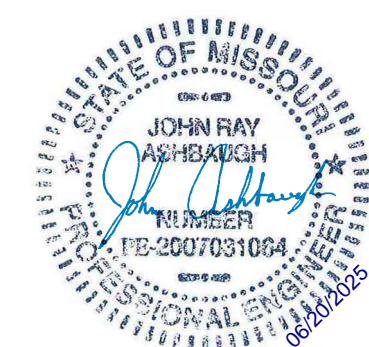
ARCHITECT OF RECORD



PROJECT NUMBER: 62910099
PROJECT MANAGER: DDA
DRAWN BY: GJB
CHECKED BY:
PROFESSIONAL SEAL:

Q39 (SHELL)
LEE'S SUMMIT, MO
OLDHAM VILLAGE

PROJECT NUMBER: 62910099
PROJECT MANAGER: DDA
DRAWN BY: GJB
CHECKED BY:



COPYRIGHT NOTICE
THIS DRAWING WAS PREPARED FOR USE ON A SPECIFIC SITE. IT IS THE PROPERTY OF BARR ARCHITECTURE INC. AND IS NOT TO BE REPRODUCED, COPIED, OR TRANSMITTED IN ANY FORM OR BY ANY MEANS, ELECTRONIC OR MECHANICAL, INCLUDING PHOTOCOPYING, RECORDING, OR BY ANY INFORMATION STORAGE AND RETRIEVAL SYSTEM, WITHOUT THE WRITTEN PERMISSION OF BARR ARCHITECTURE INC.

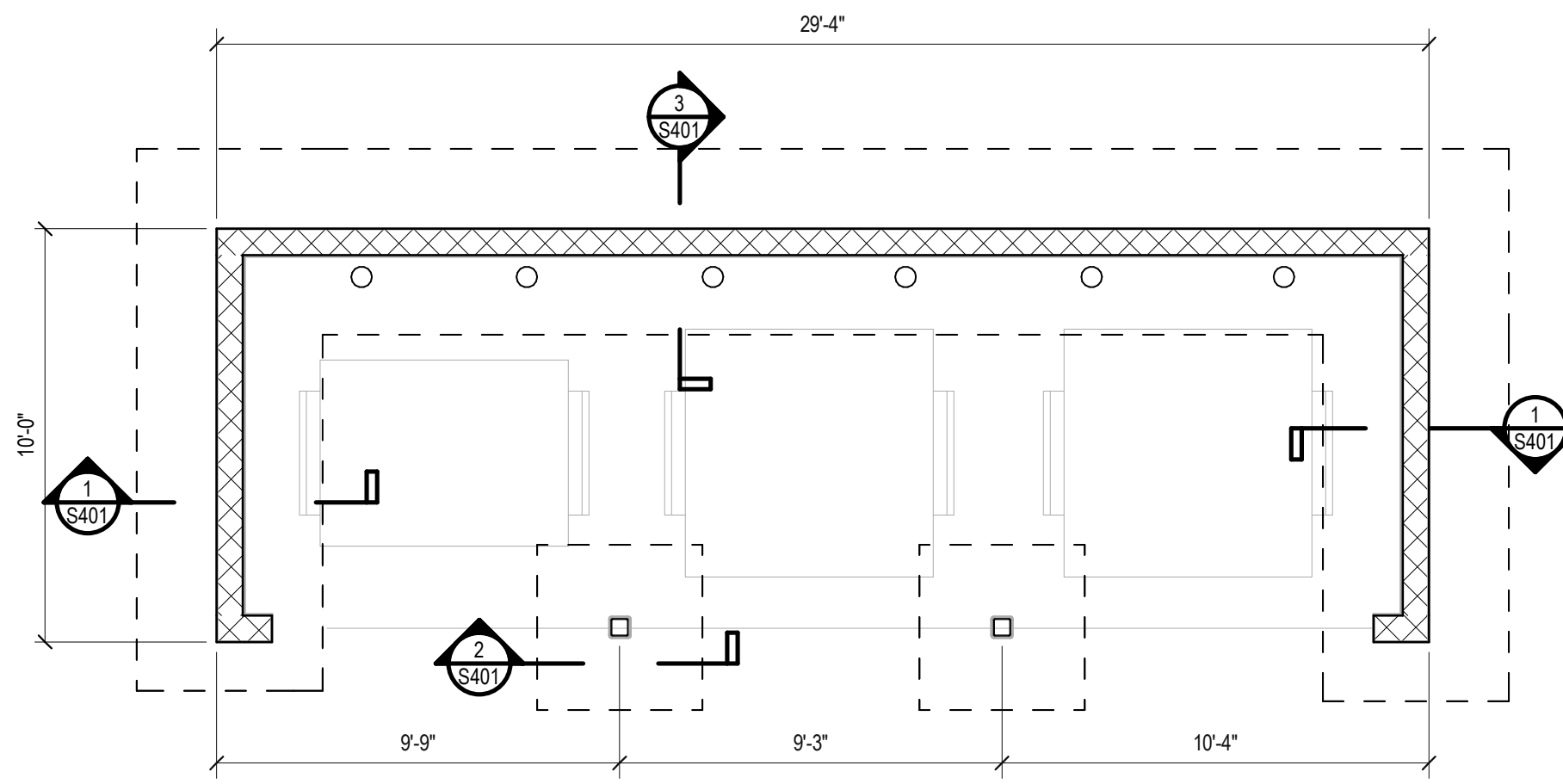
NUMBER	DATE	DESCRIPTION
1	ISSUES	ORIGINAL ISSUE
2	ISSUES	ADDENDUM 1

SHEET NAME: STEEL SCHEDULES
SHEET NUMBER:

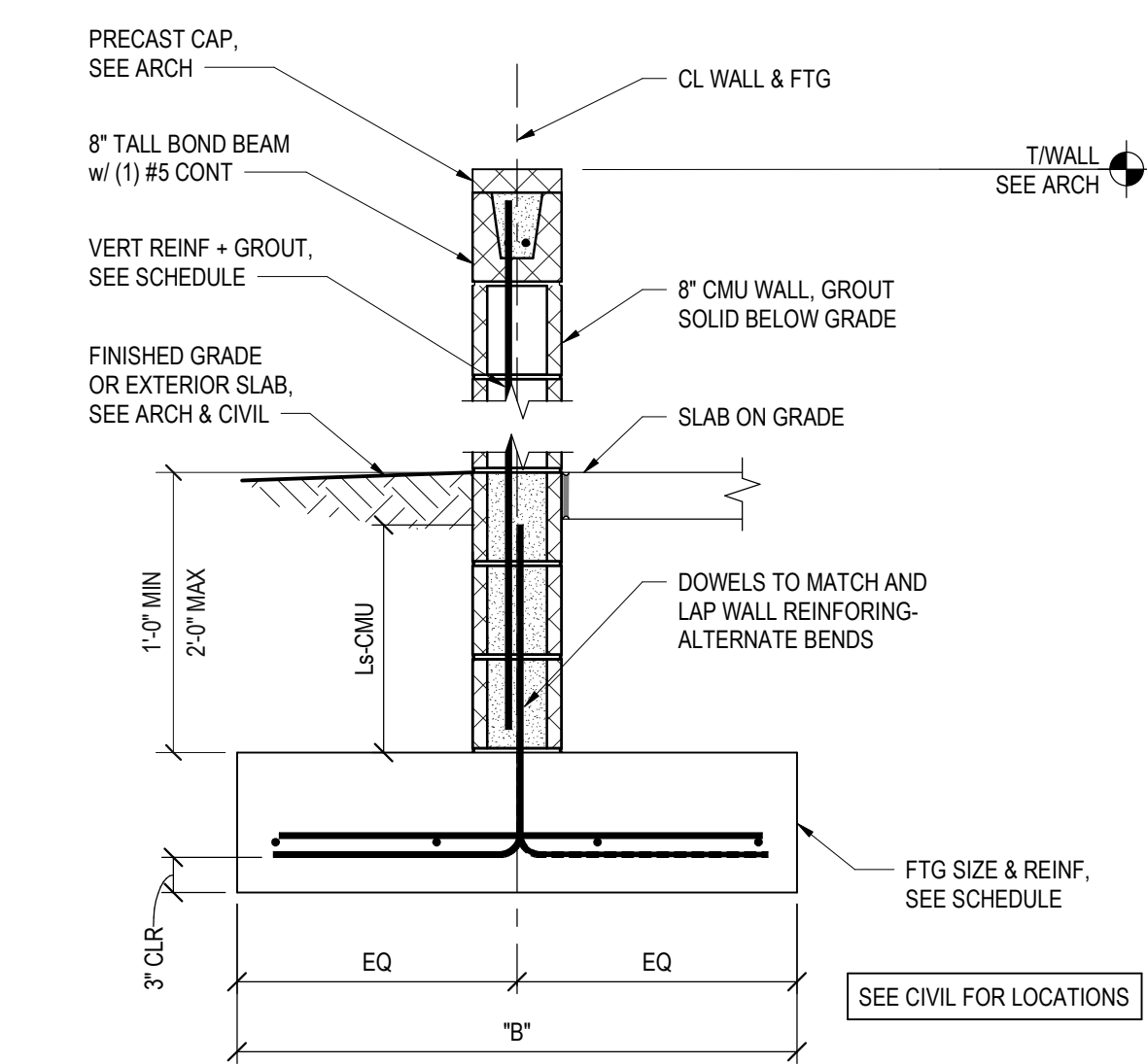
STRUCTURAL ENGINEERS
800.542.3302
schaefer-inc.com

schaefer

S321



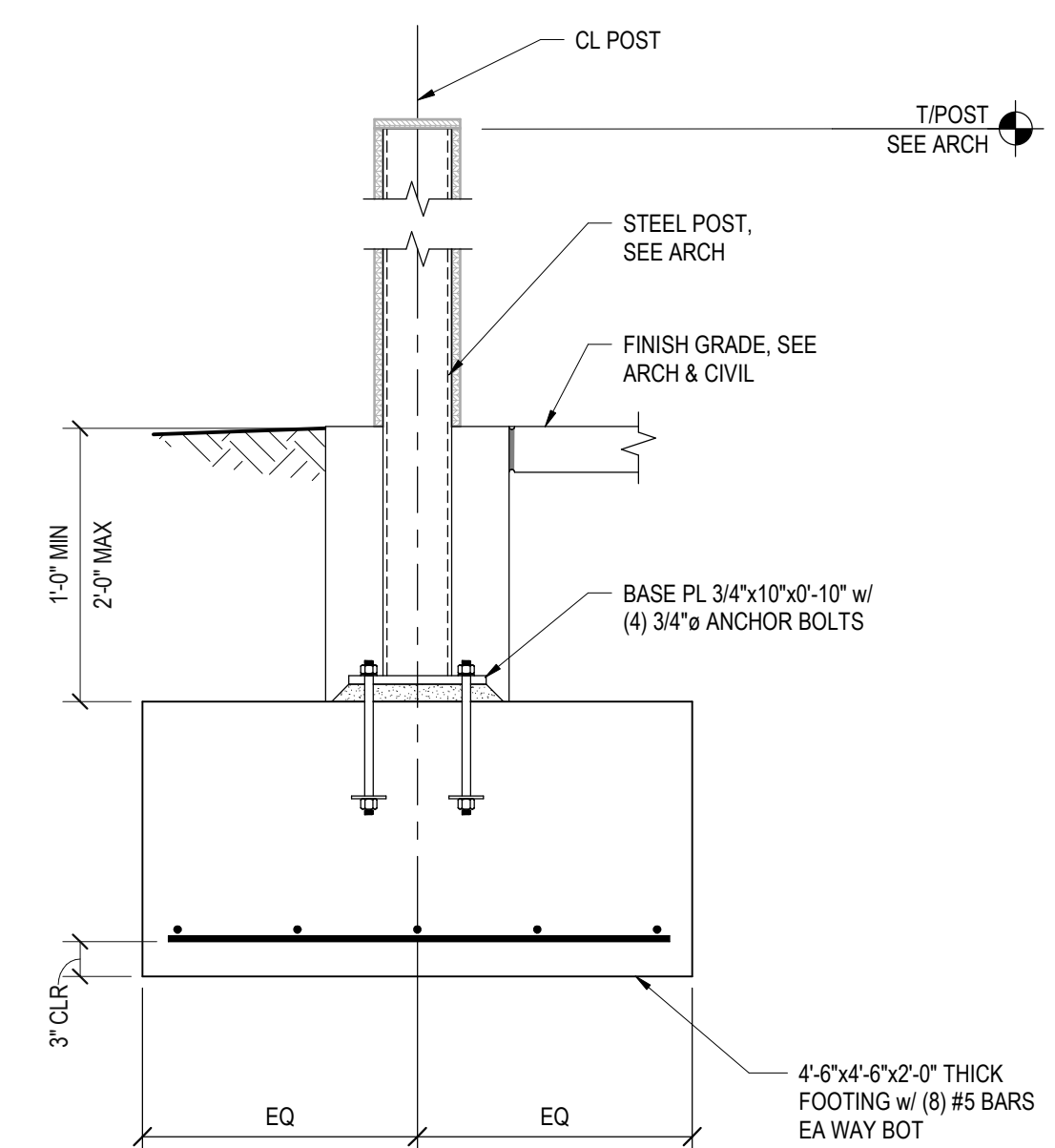
TRASH ENCLOSURE
1/4" = 1'-0"
NORTH



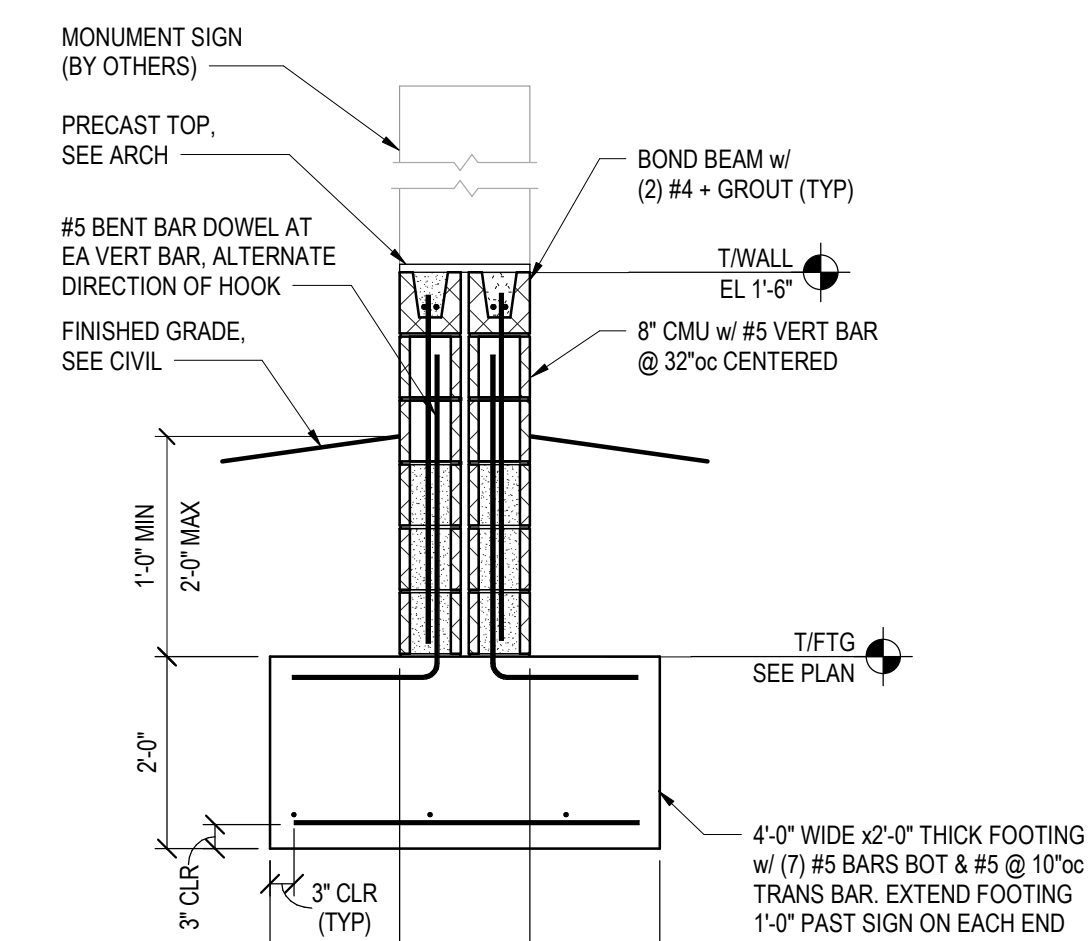
H (MAX)	WALL REINF		FOOTING SIZE & REINF	
	VERT	10' DEPTH	8' WIDTH	LONGITUDINAL REINF
8'-0"	#5 @ 48" (CENTERED)	24"	3'-6"	(4) #5 CONT AND (8) @ 12" TRANSVERSE

CONTRACTION JOINTS @ 1.5x WALL HEIGHT (20'-0" MAX)

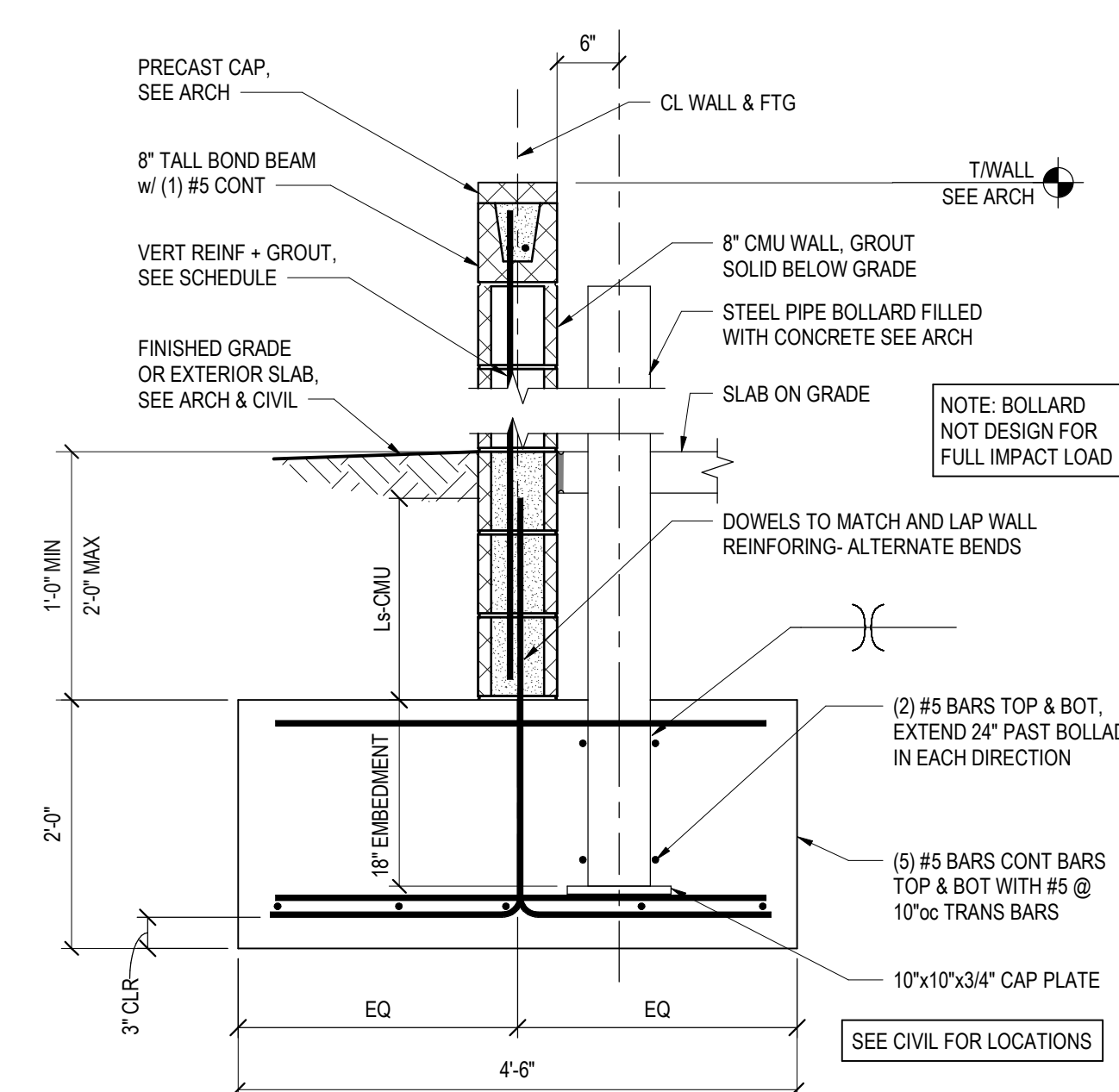
TYPICAL FREE-STANDING MASONRY WALL DETAIL 1
3/4" = 1'-0" S401



SECTION 2
3/4" = 1'-0" S401



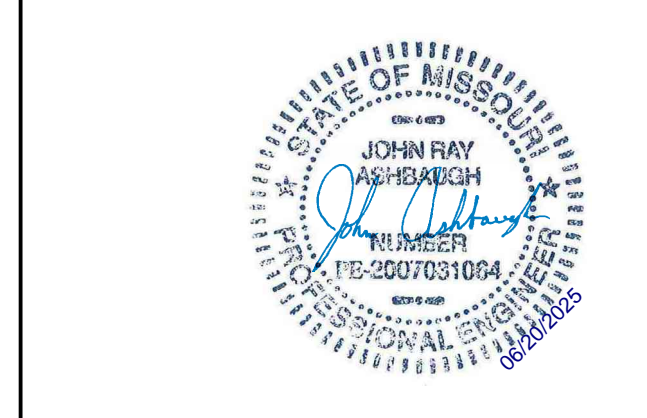
MONUMENT SIGN DETAIL
NTS



SECTION 3
3/4" = 1'-0" S401

Q39 (SHELL)
LEE'S SUMMIT, MO
OLDHAM VILLAGE

PROJECT NUMBER	62910099
PROJECT MANAGER	D.A.
DRAWN BY	G.J.B.
CHECKED BY	



COPYRIGHT NOTICE
THIS DRAWING WAS PREPARED FOR USE ON A SPECIFIC SITE. CONTRACTORS SHALL VERIFY ALL DIMENSIONS AND CONDITIONS BEFORE USE. ANY REVISIONS TO THIS DRAWING SHALL BE MADE BY THE ARCHITECT OF RECORD. REPRODUCTION OF THIS DRAWING FOR USE ON ANOTHER PROJECT IS NOT AUTHORIZED AND MAY BE CONTRARY TO THE LAW.
BRR DOES NOT GUARANTEE THAT EACH FILE IS SUFFICIENT OR APPROPRIATE FOR USER'S PURPOSES. USER USES OR ALTERS THESE FILES AT USER'S SOLE RISK AND AGREES TO HOLD BRR HARMLESS FROM LIABILITY ARISING FROM USER'S USE.

ISSUES AND REVISIONS

NUMBER	DATE	DESCRIPTION
1 <td></td> <td></td>		
2 <td></td> <td></td>		
3 <td></td> <td></td>		
4 <td></td> <td></td>		
5 <td></td> <td></td>		
6 <td></td> <td></td>		
7 <td></td> <td></td>		
8 <td></td> <td></td>		
9 <td></td> <td></td>		
10 <td></td> <td></td>		

SHEET NAME

SITE DETAILS

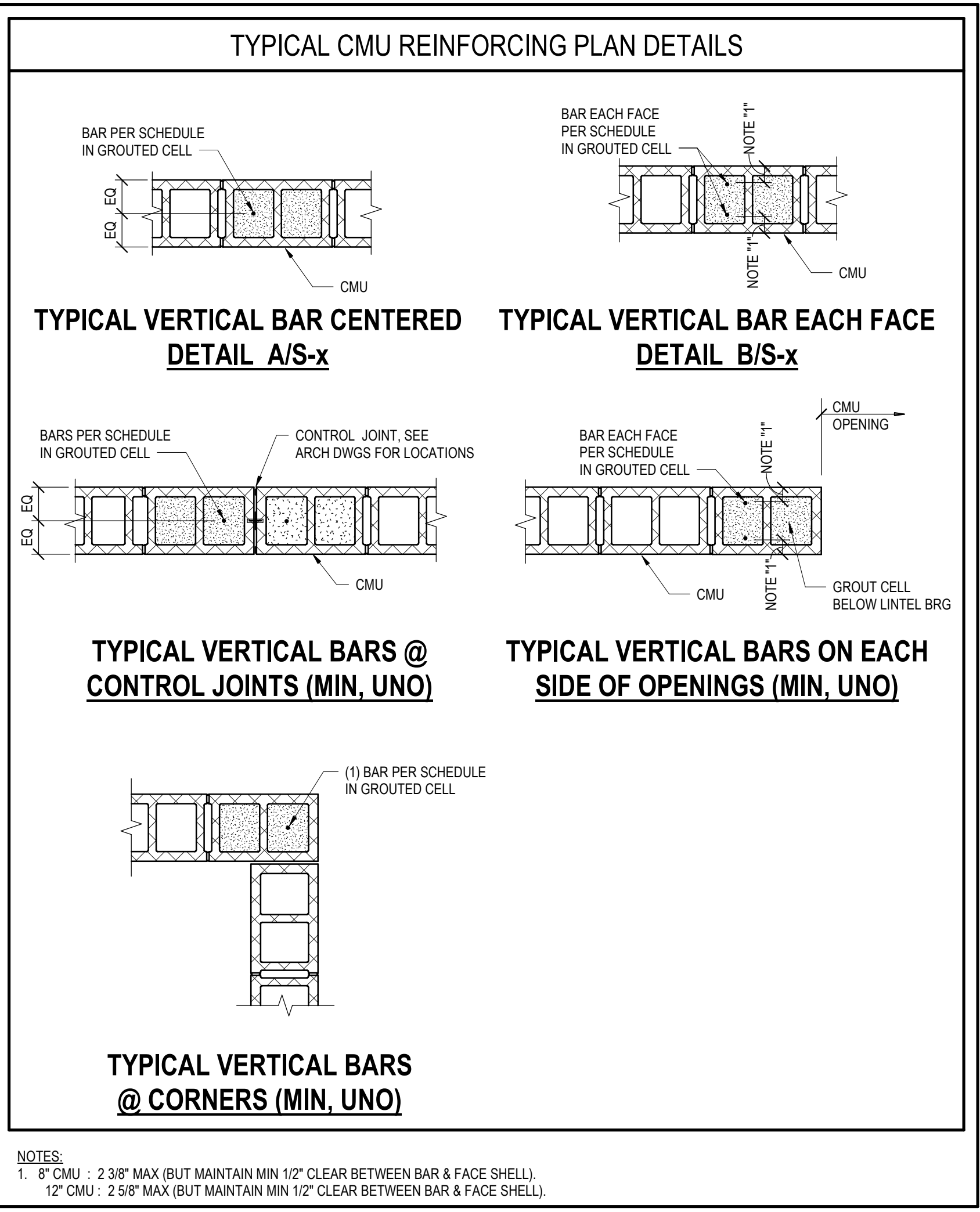
SHEET NUMBER

S401

STRUCTURAL ENGINEERS
800.542.3302
schaefer-inc.com

schaefer

COPYRIGHT 2020
THIS DOCUMENT IS THE PROPERTY AND EXCLUSIVE PROPERTY OF SCHAEFER ENGINEERING. NO PART OF THIS DOCUMENT IS TO BE REPRODUCED OR TRANSMITTED IN ANY FORM OR BY ANY MEANS, ELECTRONIC OR MECHANICAL, INCLUDING PHOTOCOPYING, RECORDING, OR BY ANY INFORMATION STORAGE AND RETRIEVAL SYSTEM, WITHOUT THE WRITTEN CONSENT OF SCHAEFER.
Shedule Project Number: 24-101
BRR ORIGINAL, PRINTED ON RECYCLED PAPER

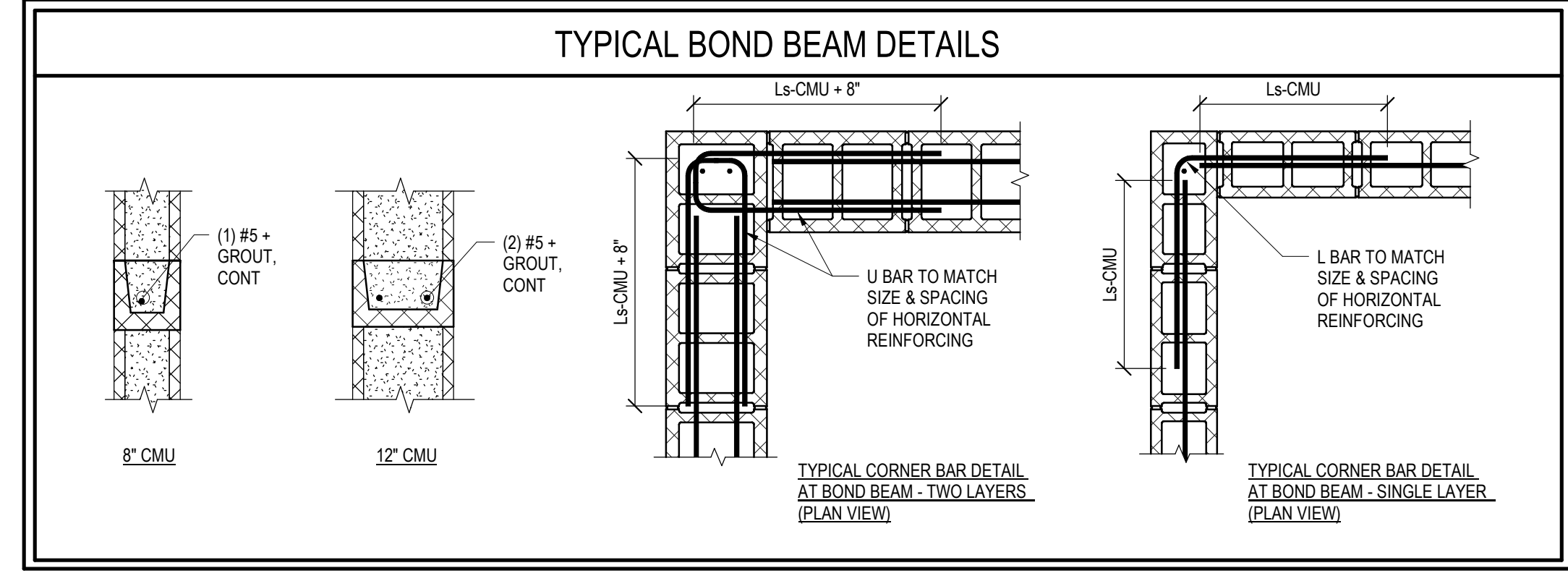
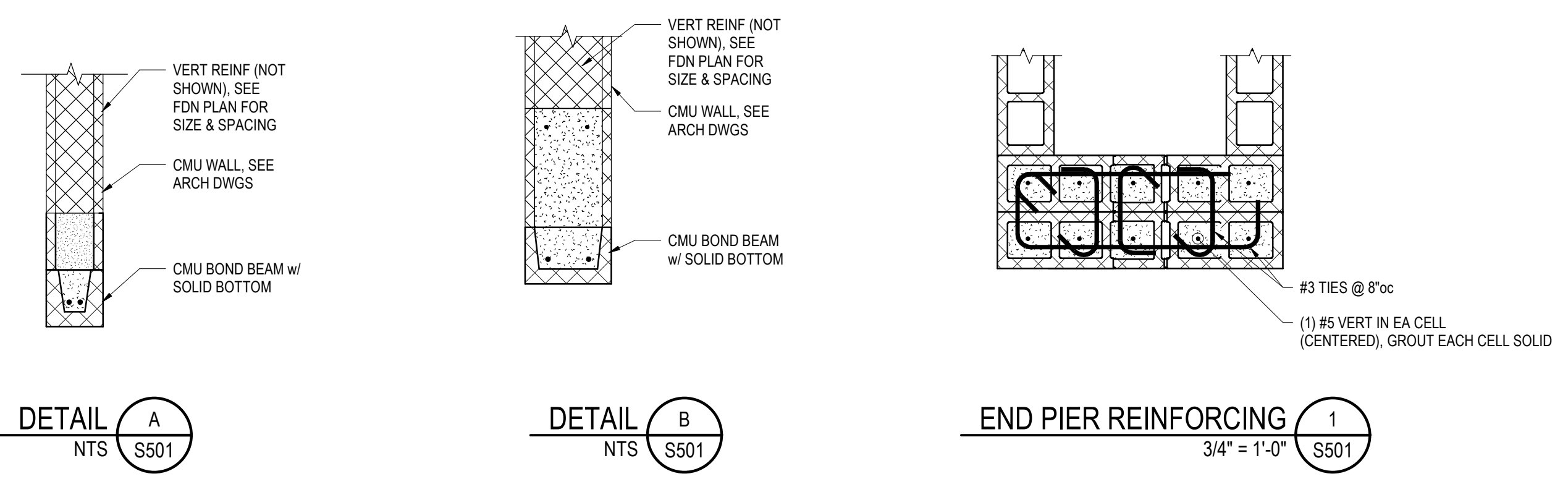


MARK	CMU SIZE	TYPICAL VERTICAL REINFORCING
W1	8	(1) #5 @ 48" w/ 8" DEEP HORIZ BOND BEAM @ 48" (PROVIDE (1) #5 HORIZ BAR)
W2	8	(1) #5 @ 8" c

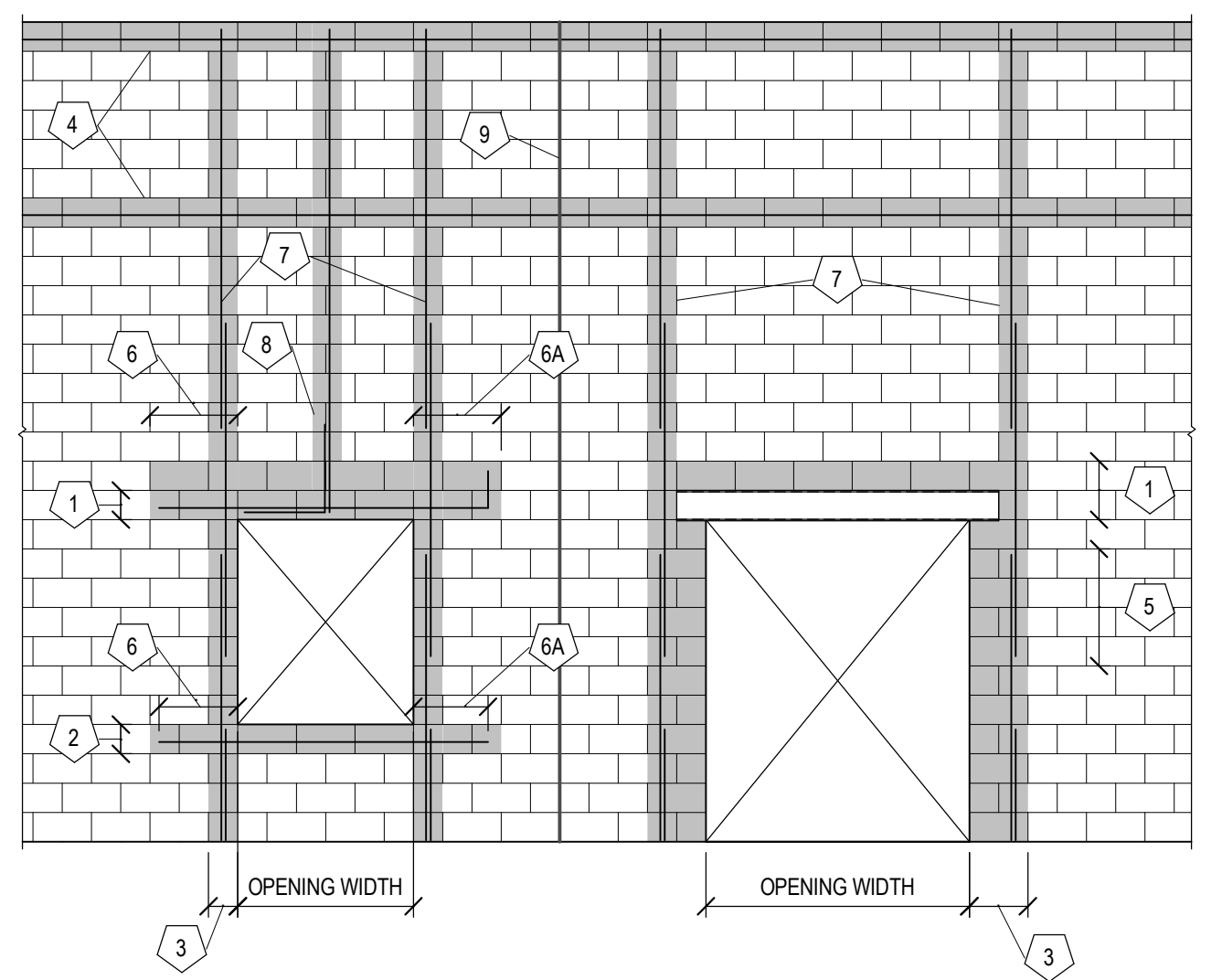
NOTES:
 1. "W" - INDICATES VERTICAL WALL REINFORCING.
 2. SOLID GROUT ALL CELLS CONTAINING REINFORCING.
 3. REINFORCING TO BE PLACED IN CENTER OF GROUDED CELL UNLESS NOTED OTHERWISE.
 4. EXTEND REINFORCING FROM PLAN LEVEL SHOWN DOWN TO LEVEL BELOW AND LAP PER SCHEDULE IN MASONRY SECTION OF GENERAL STRUCTURAL NOTES. EXTEND DOWN OR BENT BAR OUT OF CONCRETE WALL OR FOOTING TO PROVIDE LAP WITH EACH CMU VERTICAL REINFORCING BAR.
 5. ALL WALLS NOT NOTED WITH "W" ON PLAN, USE WALL REINFORCEMENT MARK "W".

MARK	DETAIL	DESCRIPTION	REMARKS
L1	B/S01	24" DEEP BOND BEAM w/ (2) #5 BARS TOP & BOT	
L2	A/S01	18" DEEP BOND BEAM w/ (2) #5	

NOTES:
 1. PROVIDE 24" BEARING EACH END OF LINTEL UNO.
 2. CENTER LINTEL UNDER CMU UNO IN PLAN OR SECTION.



- CMU WALL KEY/NOTES:**
 1. SEE LINTEL SCHEDULE FOR LINTELS ABOVE OPENINGS. SEE PLAN FOR LINTEL MARKS.
 2. PROVIDE (1) #5 BULL REINFORCING AT OPENINGS.
 3. FOR JAMB REINFORCING AT OPENINGS. SEE DETAIL CALLED OUT ON PLAN OR TYPICAL VERTICAL BARS ON EACH SIDE OF OPENINGS ON THIS DRAWING.
 4. SEE RELATING WALL SECTIONS AND ELEVATIONS FOR BOND BEAM LOCATIONS AND REINFORCING.
 5. SEE CMU WALL REINFORCING SCHEDULE FOR LAP SPlice LENGTH.
 6. EXTEND HORIZONTAL REINFORCING THE GREATER OF 24 INCHES OR 40 BAR DIAMETERS BEYOND FACE OF OPENING.
 A - WHERE BARS ARE UNABLE TO EXTEND FULL LENGTH, TERMINATE BARS WITH STANDARD HOOK.
 7. AT OPENINGS IN EXTERIOR WALLS, EXTEND VERTICAL REINFORCING TO TOP OF WALL. AT OPENINGS IN INTERIOR WALLS, EXTEND VERTICAL REINFORCING BEYOND FLOOR ABOVE EQUAL TO VERTICAL SPlice LENGTH OR TO TOP OF WALL.
 8. TYPICAL WALL REINFORCING ABOVE OPENINGS HAVE CORNER BARS OR BE EAGLE LAPPED AND TIED WITH HORIZONTAL LINTEL REINFORCING.
 9. SEE FOUNDATION PLANS FOR CONTROL JOINT LOCATIONS AND TYPICAL VERTICAL BARS @ CONTROL JOINTS' DETAIL ON THIS DRAWING.
- TYPICAL WALL NOTES:**
 TYPICAL WALL REINFORCING NOT SHOWN FOR CLARITY. SEE PLAN FOR MARKS AND SCHEDULE FOR TYPICAL GROUT, REINFORCING SIZE AND SPACING.



STRUCTURAL ENGINEERS
 800.542.3302
 schaefer-inc.com
schaefer

S501

Q39 (SHELL)
LEE'S SUMMIT, MO
 OLDHAM VILLAGE

PROJECT NUMBER	62910099	
PROJECT MANAGER	DRAWN BY	CHECKED BY
DDA	GJB	



COPYRIGHT NOTICE
 THIS DRAWING WAS PREPARED FOR USE ON A SPECIFIC DATE AND IS THE PROPERTY OF BRR ARCHITECTURE INC. IT IS NOT TO BE REPRODUCED OR TRANSMITTED IN ANY FORM OR BY ANY MEANS, ELECTRONIC OR MECHANICAL, INCLUDING PHOTOCOPYING, RECORDING, OR BY ANY INFORMATION STORAGE AND RETRIEVAL SYSTEM, WITHOUT THE WRITTEN PERMISSION OF BRR ARCHITECTURE INC.

ISSUES AND REVISIONS

NUMBER	DATE	DESCRIPTION
0	ISSUES	ORIGINAL ISSUE
1	REVISIONS	ADDENDUM 1

MASONRY SCHEDULES AND DETAILS

S501

FLOOR PLAN NOTES

- M03 PROVIDE TEMPORARY THERMOSTAT FOR UNIT STARTUP. HANG THERMOSTAT IN SPACE AT 48" ABOVE FINISHED FLOOR. PROVIDE WITH 100' LONG COIL OF CONTROL WIRE FOR FUTURE PERMANENT THERMOSTAT INSTALLATION.
- M04 PROVIDE UNIT HEATER. MOUNT TO WALL AT 8'-0" ABOVE FINISHED FLOOR.
- M05 PROVIDE GAS FIRED RADIANT HEATER. SUSPEND FROM CEILING ABOVE USING BRACKETS. FURNISH WITH HEATER. MOUNT WITH HEAT SHIELD 18" BELOW CEILING. MAINTAIN MANUFACTURER'S RECOMMENDED CLEARANCES TO COMBUSTIBLES.
- M06 TRANSITION FROM ROOFTOP UNIT CONNECTION TO DUCT SIZE SHOWN AND EXTEND DOWN 18" BELOW ROOF DECK AND TERMINATE OPEN.
- M07 INSTALL THERMOSTAT FURNISHED WITH RADIANT HEATERS. MOUNT THERMOSTAT AT 48" ABOVE FINISHED FLOOR. COORDINATE EXACT LOCATION WITH OWNER. PROVIDE CLEAR ACCESSIBLE COVER OVER THERMOSTAT. HEATER OPERATION SHALL BE ENABLED/SCHEDULED VIA ELECTRICAL RELAY PANEL. REFER TO ELECTRICAL DRAWINGS FOR ADDITIONAL INFORMATION.
- M09 PROVIDE LOUVER IN EXTERIOR WALL. MOUNT IN PLACE OF TRANSOM PANEL ABOVE DOOR. COORDINATE WITH ARCHITECTURAL ELEVATIONS. BLANK OFF BOTTOM 8 INCHES OF THE LOUVER INSIDE THE SPACE WITH SHEET METAL DUCT WITH RIGID INSULATION ON OUTSIDE THE DUCT.
- M10 ROUTE DUCT AS HIGH AS POSSIBLE AND TAP INTO LOUVER DUCT FROM THE TOP.

ARCHITECT OF RECORD

brr BRR ARCHITECTURE INC.
 818 METCALF AVENUE
 SUITE 200
 OVERLAND PARK, KS 66204
 WWW.BRRARCH.COM
 TEL: 913.263.8666
 FAX: 913.263.8444

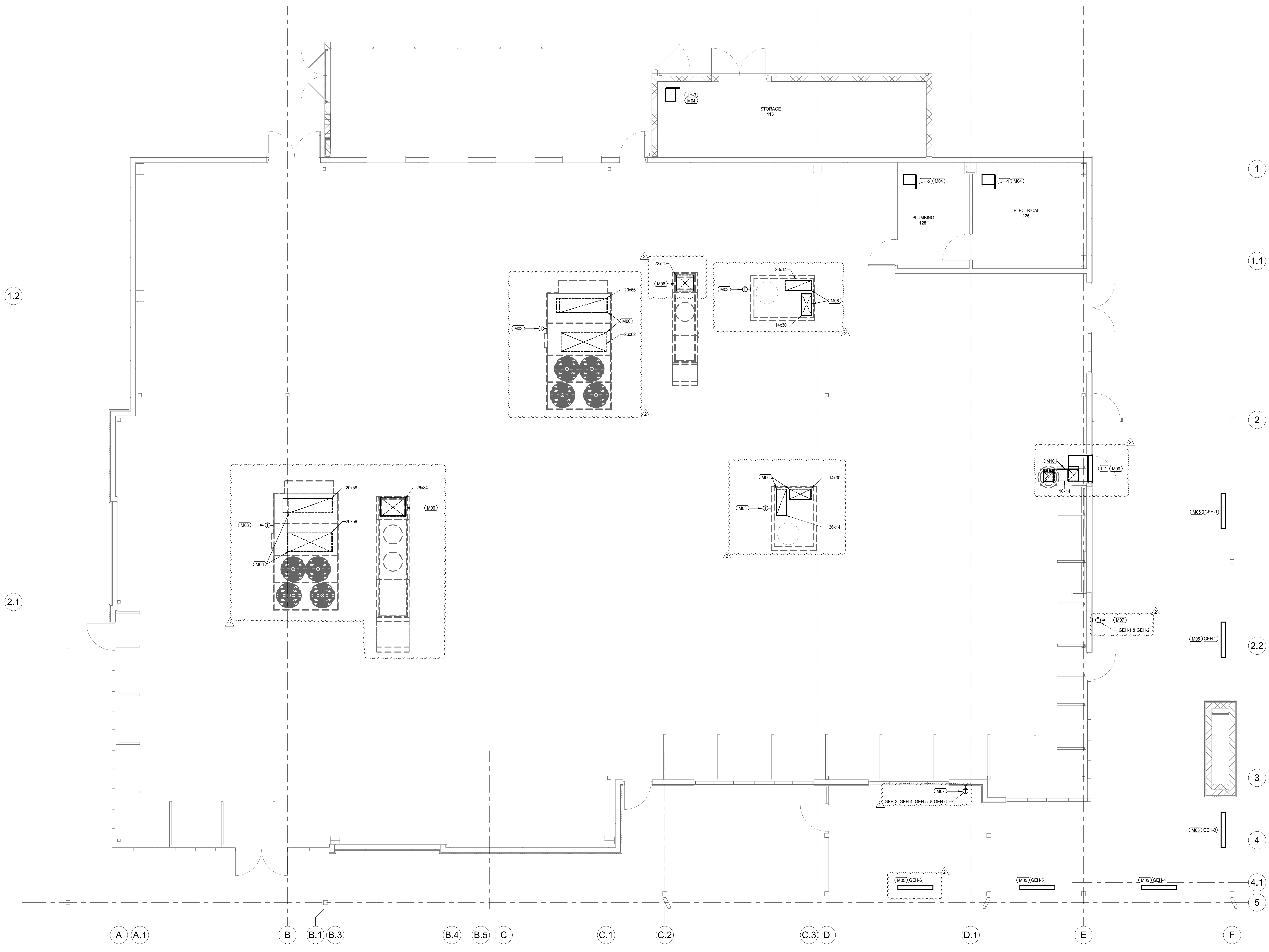
CONSULTANT

Lankford + Fendler + associates
 1730 Walnut Street
 Kansas City, Missouri 64108
 Tel: 816.221.1411
 Fax: 816.221.1420
 www.lankfordfendler.com
 E.I.P. Project No. 27-704-00

CLIENT

PROJECT TITLE

Q39 (SHELL)
LEE'S SUMMIT, MO
 OLDHAM VILLAGE



PROJECT NUMBER: 62910099

PROJECT MANAGER: AVM
 DRAWN BY: EDG
 CHECKED BY:

PROFESSIONAL SEAL



COPYRIGHT NOTICE

THIS DRAWING WAS PREPARED FOR USE ON A SPECIFIC DATE. IT IS THE PROPERTY OF BRR ARCHITECTURE INC. AND IS NOT TO BE REPRODUCED, COPIED, OR TRANSMITTED IN ANY FORM OR BY ANY MEANS, ELECTRONIC OR MECHANICAL, INCLUDING PHOTOCOPYING, RECORDING, OR BY ANY INFORMATION STORAGE AND RETRIEVAL SYSTEM, WITHOUT THE WRITTEN PERMISSION OF BRR ARCHITECTURE INC. THE SERVICES OF ARCHITECTS, ENGINEERS, AND DESIGNERS ARE NOT TO BE USED FOR ANY OTHER PROJECT WITHOUT THE WRITTEN PERMISSION OF BRR ARCHITECTURE INC. ANY REPRODUCTION OR USE OF THIS DRAWING FOR ANY OTHER PROJECT IS NOT AUTHORIZED AND MAY BE CONTRARY TO THE LAW.

BRR DOES NOT GUARANTEE THAT THIS DRAWING IS SUFFICIENT OR APPROPRIATE FOR USER'S PURPOSES. USER USES OR ALTERS THESE FILES AT USER'S SOLE RISK AND AGREES TO HOLD BRR ARCHITECTURE INC. HARMLESS FROM USER'S USE.

ISSUES AND REVISIONS

NUMBER	DATE	DESCRIPTION
1	ISSUES	ORIGINAL ISSUES
2	REVISED	ADDITIONAL 1
3	ISSUES	ADDITIONAL 2

SHEET NAME

FLOOR PLAN - MECHANICAL

SHEET NUMBER

M100

10/15/2025 2:30:58 PM

FLOOR PLAN NOTES

- M01 PROVIDE ROOFTOP UNIT AND ROOF CURB. INSTALL UNIT ON CURB PER THE MANUFACTURER'S REQUIREMENTS. PROVIDE FLEXIBLE DUCT CONNECTIONS AND CONDENSATE TRAP PER DETAIL.
- M02 PROVIDE MAKE-UP AIR UNIT AND ROOF CURB. INSTALL UNIT ON CURB PER THE MANUFACTURER'S REQUIREMENTS. PROVIDE FLEXIBLE DUCT CONNECTIONS AND CONDENSATE TRAP PER DETAIL.
- M03 PROVIDE ROOF MOUNTED EXHAUST FAN AND CURB. FAN OPERATION SHALL BE CONTROLLED/SCHEDULED VIA ELECTRICAL RELAY PANEL TO OPERATE WHEN RADIANT HEATERS ARE ENABLED. REFER TO ELECTRICAL DRAWINGS FOR ADDITIONAL INFORMATION.

ARCHITECT OF RECORD

brr BRR ARCHITECTURE INC.
 818 METCAL AVENUE
 SUITE 200
 OVERLAND PARK, KS 66214
 WWW.BRRARCH.COM
 TEL: 913.263.8666
 FAX: 913.263.8544

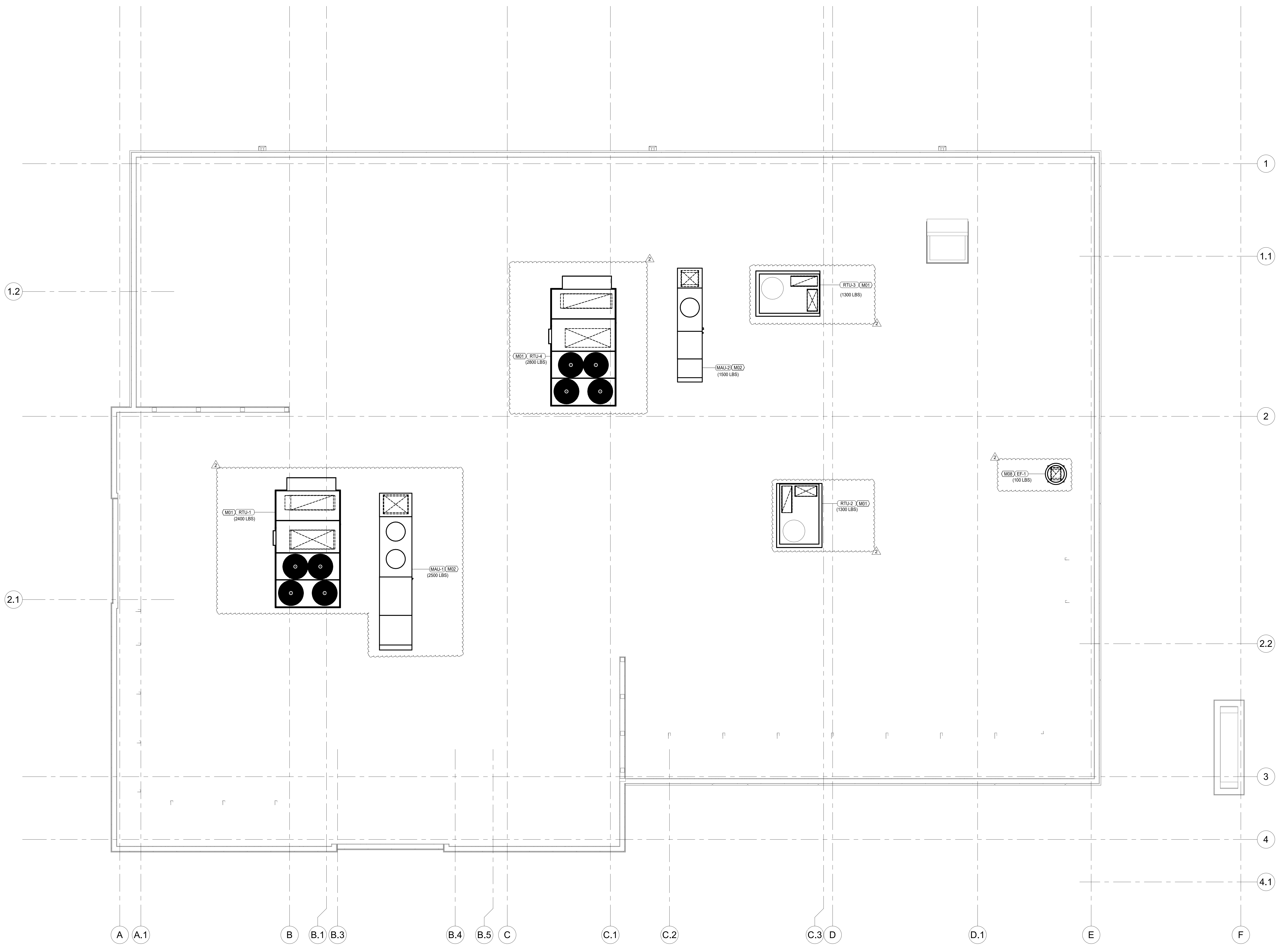
CONSULTANT

Lankford + Fendler
 + associates
 1730 Walnut Street
 Kansas City, Missouri 64108
 816.221.1411
 816.221.1420
 PROJECT NO. 21-7074-00

CLIENT

PROJECT TITLE

Q39 (SHELL)
LEE'S SUMMIT, MO
 OLDHAM VILLAGE



PROJECT NUMBER: 62910099

PROJECT MANAGER	DRAWN BY	CHECKED BY
AVM	EDG	

PROFESSIONAL SEAL



COPYRIGHT NOTICE

THIS DRAWING WAS PREPARED FOR USE ON A SPECIFIC SITE. CONTRACTOR SHALL VERIFY ALL DIMENSIONS AND CONDITIONS PRIOR TO USE ON A DIFFERENT PROJECT SITE OR AT A LATER TIME. USE OF THIS DRAWING FOR ANY OTHER PROJECT WITHOUT THE WRITTEN CONSENT OF THE ARCHITECT OF RECORD IS UNAUTHORIZED AND MAY BE CONTRARY TO THE LAW.

BRR DOES NOT GUARANTEE THAT CAD FILES ARE SUFFICIENT OR APPROPRIATE FOR USER'S PURPOSES. USER USES OR ALTERS THESE FILES AT USER'S SOLE RISK AND AGREES TO HOLD BRR HARMLESS FROM LIABILITY ARISING FROM USER'S USE.

ISSUES AND REVISIONS

NUMBER	DATE	DESCRIPTION
1	ISSUES	ORIGINAL ISSUE
2	ISSUES	ADDITIONAL 1
3	ISSUES	ADDITIONAL 2

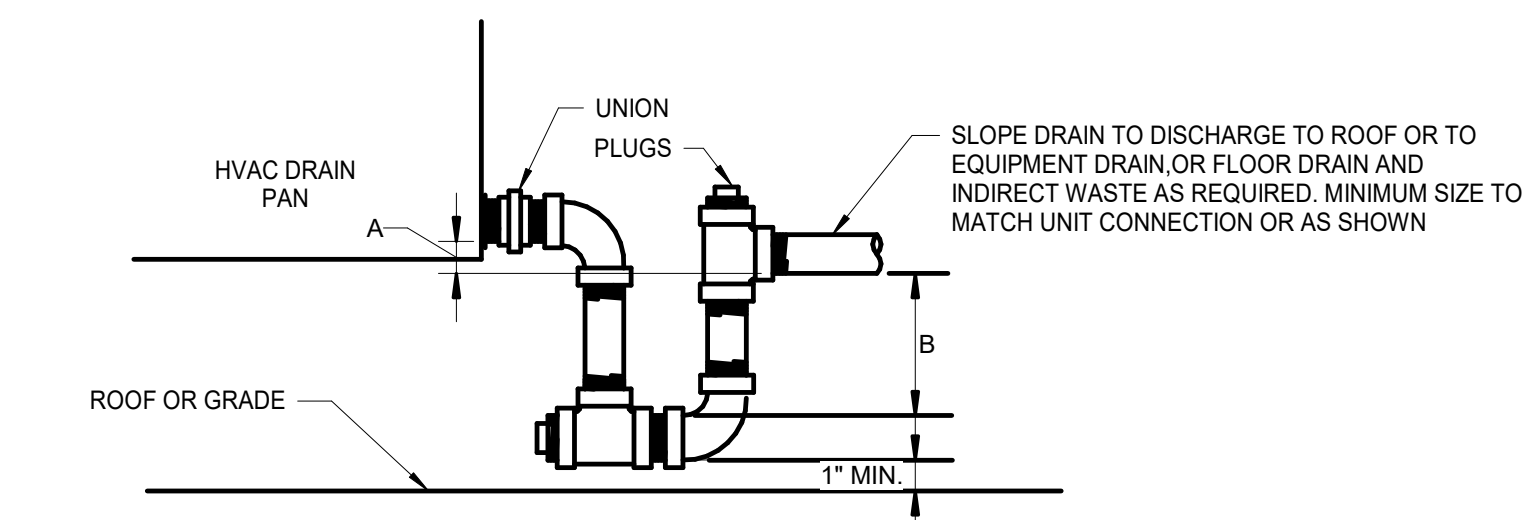
SHEET NAME

ROOF PLAN - MECHANICAL

SHEET NUMBER

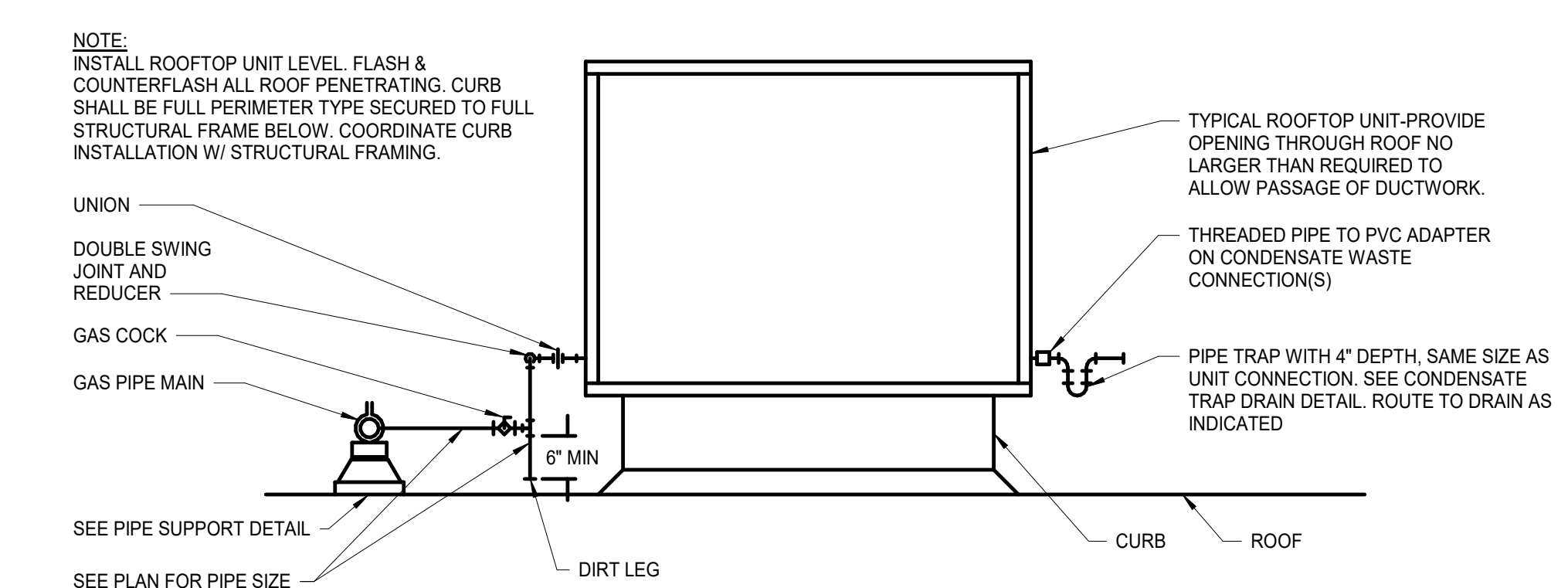
M200

10/15/2025 12:59:21 PM

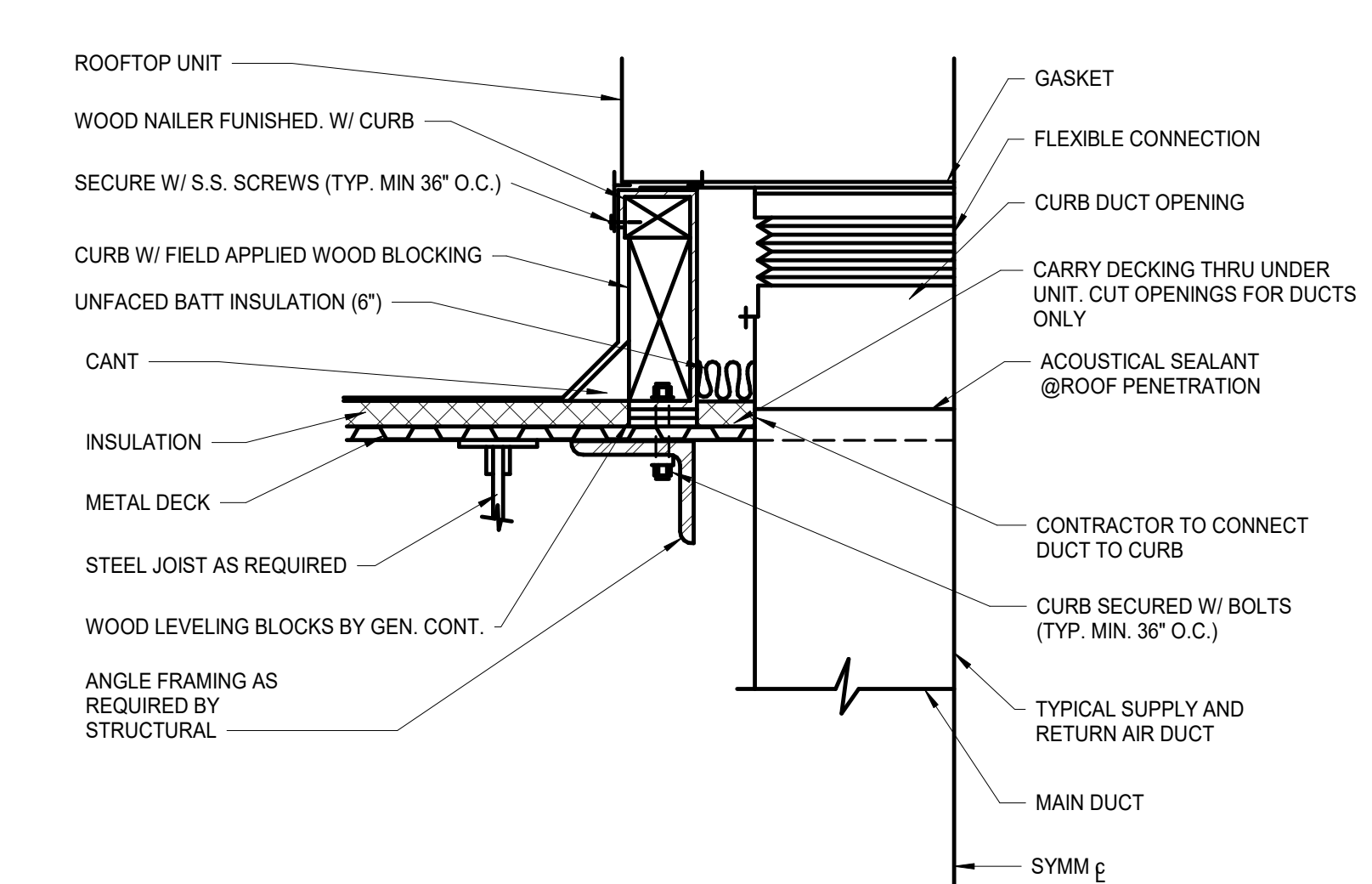


	DM "A"	DM "B"
BLOW THRU CDL	1"	FAN DISCHARGE STATIC PRESSURE + 1"
DRAW THRU CDL	FAN SUCTION STATIC PRESSURE + 1"	2 1/2"

DRAINABLE HVAC CONDENSATE TRAP DETAIL
NOT TO SCALE



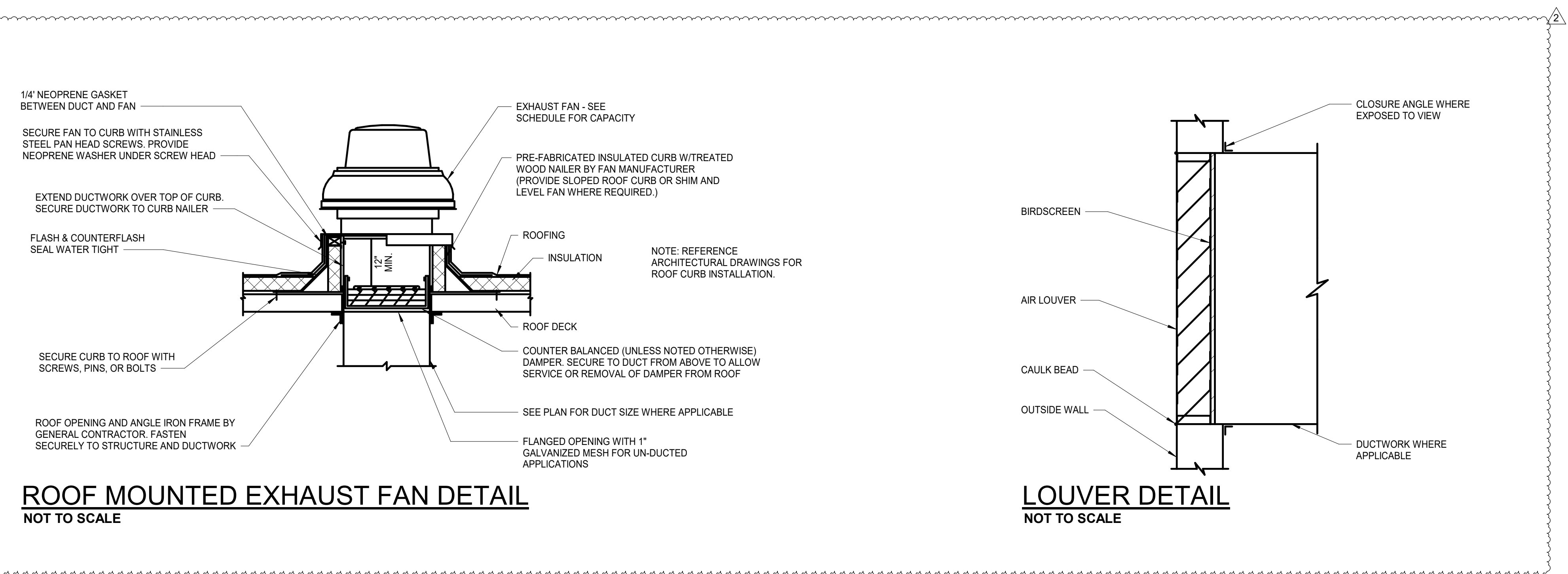
ROOFTOP UNIT CONNECTIONS DETAIL
NOT TO SCALE



ROOF TOP UNIT CURB AND DUCT DETAIL
NOT TO SCALE

- GENERAL NOTES (TYPICAL ALL SHEETS)**
- MECHANICAL CONTRACTOR IS RESPONSIBLE TO SEE THAT WORK MEETS AND IS IN ACCORDANCE WITH ALL REQUIREMENTS OF FEDERAL, STATE, AND LOCAL LAWS AND CODES AND/OR REQUIREMENTS, INCLUDING HEALTH CODES AND BUILDING OWNER.
 - CUTTING AND PATCHING OF FLOORS, WALLS, CEILING, ETC., REQUIRED IN STRICT ACCORDANCE WITH THE RULES AND REGULATIONS OF THE ARCHITECT'S AND/OR BUILDING OWNER REQUIREMENTS.
 - COORDINATE ALL WORK WITH OTHER TRADES PRIOR TO INSTALLATION TO AVOID ROUTING CONFLICTS.
 - MECHANICAL CONTRACTOR SHALL PROVIDE NEW FILTERS ON ALL AIR HANDLING EQUIPMENT PRIOR TO BALANCING. PROVIDE TEMPORARY FILTERS ON RETURN AIR OPENINGS DURING CONSTRUCTION.
 - INSTALL ELASTOMERIC JOINT SEALER AROUND ALL DUCTS, PIPES, ETC. PASSING THRU INTERIOR NON-RATED CONCRETE AND MASONRY WALLS, GYPSUM BOARD PARTITIONS, AND CONCRETE FLOOR/ROOF SLABS. FOR FIRE RATED INTERIOR CONCRETE AND MASONRY WALLS, GYPSUM-BOARD PARTITIONS, AND CONCRETE FLOOR/ROOF SLABS SEAL ALL DUCTS, PIPES, ETC. INSTALL FIRESTOP MATERIALS IN ALL GAPS PRIOR TO SEALANT APPLICATION. INSTALL SEALER ACCORDING TO MANUFACTURER'S WRITTEN INSTRUCTIONS.
 - UPON REQUEST FOR ELECTRONIC FILES, CONTRACTOR SHALL FILE OUT, SIGN AND RETURN ELECTRONIC MEDIA RELEASE FORM FROM ENGINEER AND PROVIDE PAYMENT FOR FEES STIPULATED ON ELECTRONIC MEDIA RELEASE FORM. UPON RECEIPT OF COMPLETED RELEASE FORM AND PAYMENT, ELECTRONIC FILES WILL BE RELEASED.
 - ALL CABLE TIES FOR LOW VOLTAGE SYSTEMS LOCATED IN PENNIMS UTILIZED FOR AIR MOVEMENT THAT ARE NOT INSTALLED IN CONDUIT SHALL BE 2550 FLAME AND SMOKE RATED, HELLERMAN TYTON T50R302UL OR EQUIVALENT.
 - THERMOSTAT COVERS SHALL BE WHITE IN COLOR UNLESS OTHERWISE NOTED. THERMOSTAT SENSORS SHALL BE INSTALLED AND CALIBRATED PRIOR TO TEST AND BALANCE.

FIRE STOPPING REQUIREMENTS
CONTRACTOR TO PROVIDE FIRESTOPPING AT ALL FIRE RATED ASSEMBLIES MEETING THE MANUFACTURER'S FIRESTOPPING U.L. LISTED DETAILS AND INSTRUCTIONS PER LOCAL CODES AND JURISDICTIONS. CONTRACTOR IS RESPONSIBLE FOR COORDINATING LOCATIONS WITH ARCHITECTURAL FIRE RATINGS ON PLANS OR AS REQUIRED.



ROOF MOUNTED EXHAUST FAN DETAIL
NOT TO SCALE

LOUVER DETAIL
NOT TO SCALE

MECHANICAL SYMBOLS

- [Symbol] NEW DUCTWORK
- [Symbol] SUPPLY DUCT
- [Symbol] RETURN DUCT
- [Symbol] EXHAUST DUCT
- [Symbol] SUPPLY DIFFUSER
- [Symbol] RETURN GRILLE
- [Symbol] SUPPLY DUCT DOWN
- [Symbol] SUPPLY DUCT UP
- [Symbol] RETURN DUCT DOWN
- [Symbol] RETURN DUCT UP
- [Symbol] EXHAUST DUCT DOWN
- [Symbol] EXHAUST DUCT UP
- [Symbol] THERMOSTAT
- [Symbol] EQUIPMENT TYPE AND DESIGNATION
- [Symbol] TYPE MARK (S, J, SUPPLY, R, J, RETURN, E, J, EXHAUST DIFFUSER OR GRILLE TYPE MARK AND CFM)
- [Symbol] CFM
- [Symbol] CONNECT TO EXISTING

LOUVER SCHEDULE

MARK NO.	MANUFACTURER	MODEL	AIRFLOW (CFM)	WIDTH (IN.)	HEIGHT (IN.)	FREE AREA (FT.)	MAXIMUM S.P. DROP	COLOR	NOTES
L-1	GREENHECK	ESD-635	1225	36	27	3.37	0.05		NOTE 3 1,2,3

NOTES:
 1. PROVIDE WITH BIRDSCREEN.
 2. COORDINATE LOUVER SIZE AND JAMB WITH ARCHITECT. CONTRACTOR TO VERIFY SIZE OF OPENINGS AND FIELD MEASURE PRIOR TO ORDERING LOUVERS.
 3. COLOR AND FINISH TO BE SELECTED BY ARCHITECT.

ARCHITECT OF RECORD
brr ARCHITECTURE INC.
 1311 METCALF AVENUE
 SUITE 200 PARK, KS 66204
 WWW.BRRARCHITECT.COM
 TEL: 913.263.8666
 FAX: 913.263.8644

CONSULTANT
Lankford + associates
 1730 Walnut Street
 Kansas City, Missouri 64108
 Tel: 816.221.1411
 Fax: 816.221.1420
 www.lankfordassociates.com

CLIENT

PROJECT TITLE
Q39 (SHELL)
LEE'S SUMMIT, MO
 OLDHAM VILLAGE

PROJECT NUMBER: 62910099

PROJECT MANAGER	DRAWN BY	CHECKED BY
AVM	EDG	

PROFESSIONAL SEAL



COPYRIGHT NOTICE
 THIS DRAWING WAS PREPARED FOR USE ON A SPECIFIC DATE. CONTRACTOR/OWNER SHALL BE RESPONSIBLE TO VERIFY THE DATE OF THE DRAWING AND TO VERIFY THE DATE OF THE DRAWING IS CURRENT. THE CONTRACTOR/OWNER SHALL BE RESPONSIBLE TO VERIFY THE DATE OF THE DRAWING IS CURRENT. THE CONTRACTOR/OWNER SHALL BE RESPONSIBLE TO VERIFY THE DATE OF THE DRAWING IS CURRENT.

ISSUES AND REVISIONS

NUMBER	DATE	DESCRIPTION
1	10/15/25	ISSUES
2	10/15/25	ADDENDUM 2

SHEET NAME
MECHANICAL DETAILS, GEN. NOTES, & SYMBOLS

SHEET NUMBER

M300

PART 3 - EXECUTION

3.1 POWER SYSTEM DATA

- A. Obtain all data necessary for conduct of the study.
 - B. Gather and tabulate the required input data to support the study. Record data on a Record Document copy of one-line diagram. Comply with recommendations in IEEE 551 as to the amount of detail that is required to be acquired in the field. Field data gathering shall be under direct supervision and control of the engineer in charge of performing the study and shall be by the engineer or its representative who holds NETA ETT-Certified Technician Level II or NICET Electrical Power Testing Level II certification.
- 3.2 SHORT-CIRCUIT STUDY
- A. Perform study following the general study procedures contained in IEEE 399.
 - B. Calculate short-circuit currents according to IEEE 551.
 - C. Base study on device characteristics supplied by device manufacturer.
 - D. Extent of electrical power system to be studied is indicated on Drawings.
 - E. Begin short-circuit current analysis at the service, extending down to system overcurrent protective devices to where fault current is 10 kA or less.
 - F. Study electrical distribution system from normal and alternate power sources throughout electrical distribution system for Project. Study all cases of system-switching configurations and alternate operations that could result in maximum fault conditions.
 - G. Include the ac fault-current decay from induction motors, synchronous motors, and asynchronous generators and apply to low- and medium-voltage, three-phase ac systems. Also account for the fault-current dc decrement to address asymmetrical requirements of interrupting equipment.
 - H. Calculate short-circuit momentary and interrupting duties for a three-phase bolted fault and a single line-to-ground fault at each equipment indicated on one-line diagram.
 - I. Include in the report identification of any protective device applied outside its capacity.

3.3 COORDINATION STUDY

- A. Comply with IEEE 242 for calculating short-circuit currents and determining coordination time intervals.
- B. Comply with IEEE 399 for general study procedures.
- C. Base study on device characteristics supplied by device manufacturer.
- D. Extent of electrical power system to be studied is indicated on Drawings.
- E. Begin analysis at the service, extending down to system overcurrent protective devices where fault current is 10 kA or less.
- F. Study electrical distribution system from normal and alternate power sources throughout electrical distribution system for Project. Study all cases of system-switching configurations and alternate operations that could result in maximum fault conditions.
- G. Transformer Primary Overcurrent Protective Devices:
- H. Motor Protection: Select protection for low-voltage motors according to IEEE 242 and NFPA 70.
- I. Conductor Protection: Protect cables against damage from fault currents according to IEEE P-33-382, IEEE P-45-482, and protection recommendations in IEEE 242. Demonstrate that equipment withstands the maximum short-circuit current for a time equivalent to the tripping time of the primary relay protection or total clearing time of the fuse. To determine temperatures that damage insulation, use curves from cable manufacturers or from listed standards indicating conductor size and short-circuit current.
- J. Generator Protection: Select protection according to manufacturer's written instructions and to IEEE 242.
- K. Include the ac fault-current decay from induction motors, synchronous motors, and asynchronous generators and apply to low- and medium-voltage, three-phase ac systems. Also account for fault-current dc decrement, to address asymmetrical requirements of interrupting equipment.
- L. Calculate short-circuit momentary and interrupting duties for a three-phase bolted fault and a single line-to-ground fault at each equipment indicated on one-line diagram.
- M. Protective Device Evaluation: Evaluate equipment and protective devices and compare to short-circuit settings. Adequacy of equipment bus bars to withstand short-circuit stresses. Any application of series-rated devices shall be justified, complying with requirements in NFPA 70. Include in the report identification of any protective device applied outside its capacity.

3.4 ARC-FLASH HAZARD ANALYSIS

- A. Comply with NFPA 70E and its Annex D for hazard analysis study.
- B. Preparatory Studies: Perform the Short-Circuit and Protective Device Coordination studies prior to starting the Arc-Flash Hazard Analysis.
- C. Calculate maximum and minimum contributions of fault-current size.
- D. Calculate the arc-flash protection boundary and incident energy at locations in electrical distribution system where personnel could perform work on energized parts.
- E. Calculate the limited, restricted, and prohibited approach boundaries for each location.
- F. Incident energy calculations shall consider the accumulation of energy over time when performing arc-flash calculations on buses with multiple sources. Iterative calculations shall take into account the changing current contributions, as the sources are interrupted or decremented with time.
- G. Arc-flash energy shall generally be reported for the maximum line or load side of a circuit breaker.
- H. Base arc-flash calculations on actual overcurrent protective device clearing time. Cap maximum clearing time at two seconds based on IEEE 1584, Section B.1.2.

3.5 FIELD ADJUSTING

- A. Adjust relay and protective device settings according to recommended settings provided by the coordination study.
- B. Make minor modifications to equipment as required to accomplish compliance with short-circuit and protective device coordination studies.
- C. Testing and adjusting shall be by a full-time employee of the Field Adjusting Agency, who holds NETA ETT-Certified Technician Level II or NICET Electrical Power Testing Level II certification. Perform each visual and mechanical inspection and electrical test stated in NETA ATS. Certify compliance with test parameters. Perform NETA tests and inspections for all adjustable overcurrent protective devices.

3.6 ARC FLASH LABELING

- A. Apply arc-flash label on the front cover and on side or rear covers with accessible live parts and hinged doors or removable plates for each equipment included in the study. Base arc-flash label data on highest values calculated at each location.
- B. Each piece of equipment listed below shall have an arc-flash label applied to it: Motor-control center; Low-voltage switchboard; Switchgear; Low voltage transformers; Panelboards; Safety switches; Control panel; Automatic Transfer Switch; Generator.
- C. Note on record Drawings the location of equipment where the personnel could be exposed to arc-flash hazard during their work. Indicate arc-flash energy. Indicate protection level required.

3.7 APPLICATION OF WARNING LABELS

- A. Install arc-flash warning labels under the direct supervision and control of Power System Analysis Specialist.

3.8 DEMONSTRATION

- A. Engage Power Systems Analysis Specialist to train Owner's maintenance personnel.
- B. Acquaint personnel in fundamentals of operating the power system in normal and emergency modes.
- C. Hand-out and explain the coordination study objectives, study descriptions, purpose, basis, and scope. Include case descriptions, definition of terms, and guide for interpreting time-current coordination curves.
- D. For Owner's maintenance staff certified as NETA ETT-Certified Technicians Level II or NICET Electrical Power Testing Level II Technicians, teach how to adjust, operate, and maintain overcurrent protective device settings.
- E. Inform of the potential arc-flash hazards associated with working on energized equipment and the significance of arc-flash warning labels.

END OF SECTION

brr BRR ARCHITECTURE INC.
 151 WESTLARK AVENUE
 SUITE 200
 OVERLAND PARK, KS 66204
 WWW.BRRARCH.COM
 TEL: 913.263.8686
 FAX: 913.263.8684

CONSULTANT

Lankford + Fendler
 + associates
 DOODY, S. W., OLIVIERO, J. A.,
 RICHARDS, J. J., D. SURMEYER

CLIENT

PROJECT TITLE

Q39 (SHELL)
 LEE'S SUMMIT, MO
 OLDHAM VILLAGE

PROJECT NUMBER	62910099
PROJECT MANAGER	AVM
DRAWN BY	EDG
CHECKED BY	

PROFESSIONAL SEAL



COPYRIGHT NOTICE

THIS DRAWING WAS PREPARED FOR USE ON A SPECIFIC SITE. CONTAINED HEREIN IS THE PROPERTY OF BRR ARCHITECTURE INC. AND IS NOT TO BE REPRODUCED OR TRANSMITTED IN ANY FORM OR BY ANY MEANS, ELECTRONIC OR MECHANICAL, INCLUDING PHOTOCOPYING, RECORDING, OR BY ANY INFORMATION STORAGE AND RETRIEVAL SYSTEM, WITHOUT THE WRITTEN PERMISSION OF BRR ARCHITECTURE INC. THE SERVICES OF PROFESSIONAL ARCHITECTS AND ENGINEERS ARE NOT TO BE USED FOR ANY OTHER PROJECT WITHOUT THE EXPRESS AUTHORIZATION OF BRR ARCHITECTURE INC. BRR DOES NOT GUARANTEE THAT CADFILES ARE SUFFICIENT OR APPROPRIATE FOR USER'S PURPOSES. USER USES OR ALTERS THESE FILES AT USER'S OWN RISK AND AGREES TO HOLD BRR ARCHITECTURE INC. HARMLESS FROM SUCH USER USE.

ISSUES AND REVISIONS

NUMBER	DATE	DESCRIPTION
1	ISSUE	ORIGINAL ISSUE

SHEET NAME

SPECIFICATIONS

SHEET NUMBER

MEP102

ROOFTOP UNIT SCHEDULE

MARK NO.	MANUFACTURER	MODEL	AIRFLOW CFM	MIN O.A. CFM	EXT. S.P. (IN W.G.)	FAN HP	FAN DRIVE TYPE	RPM	COOLING							HEATING-GAS			ELECTRICAL												
									AMB. (°F)	EDB (°F)	EWB (°F)	LDB (°F)	LWB (°F)	TOTAL MBH	SENS. MBH	STAGES	EER	INPUT MBH	OUTPUT MBH	STAGES	NOTES	VOLT	PHASE	HZ	FLA	MCA	MOCP	DISCONNECT	CIRCUIT TO PANEL	BRANCH CIRCUIT TAG / SIZE	NOTES
RTU-1	YORK	KV15N3	4000	1800	0.8	3	BELT	862	95	80	67	58.9	57.4	152	135.5	4	10.9	400	324	2	1-8	480	3	60	36	40.2	50	INTEGRAL	HDP	1" C. (4) #8, (1) #10 G.	A
RTU-2	YORK	KL614F4	5000	1500	0.8	5	BELT	1090	95	80	67	59.2	57.3	154	112.5	3	11	250	203	2	1-8	480	3	60	31.5	34.3	40	INTEGRAL	HDP	3/4" C. (4) #8, (1) #10 G.	A
RTU-3	YORK	KL614F4	5000	1500	0.8	5	BELT	1090	95	80	67	59.2	57.3	154	112.5	3	11	250	203	2	1-8	480	3	60	31.5	34.3	40	INTEGRAL	HDP	3/4" C. (4) #8, (1) #10 G.	A
RTU-4	YORK	KV25N3	8800	2400	0.8	7.5	BELT	1060	95	80	67	58.3	56	303.6	206.4	4	10	400	324	2	1-8	480	3	60	62.3	67.1	80	INTEGRAL	HDP	1-1/4" C. (4) #3, (1) #8 G.	A

NOTES: 1. PROVIDE WITH WALL MOUNTED 247 PROGRAMMABLE THERMOSTAT WITH HUMIDITY CONTROL AND REMOTE TEMPERATURE/HUMIDITY SENSOR, COTTONWOOD FILTERS SUCH AS AIR SOLUTION COMPANY MEDIUM DUTY COMMERCIAL GRADE FILTERS, HINGED ACCESS PANELS, DISCONNECT SWITCH, CONDENSATE DRAIN TRAP, AND DRAIN PAN OVERFLOW SWITCH TO SHUT DOWN UNIT IF DRAIN BECOMES CLOGGED.
 2. PROVIDE WITH HOT GAS REHEAT.
 3. PROVIDE WITH ECONOMIZER WITH DIFFERENTIAL ENTHALPY CONTROL. INCLUDE WITH BAROMETRIC RELIEF DAMPER UNLESS NOT REQUIRED FOR UNITS EQUIPPED WITH POWERED EXHAUST.
 4. PROVIDE WITH POWERED EXHAUST.
 5. PROVIDE WITH MULTI-SPEED SUPPLY FAN TO VARY FAN SPEED WITH COMPRESSOR STAGING ON UNITS WITH 2 STAGES OF COOLING. ADJUST OUTSIDE AIR DAMPER MINIMUM POSITION FOR HIGH AND LOW FAN SPEEDS.
 6. PROVIDE WITH UNIT MOUNTED GFCI OUTLET WITH WEATHERPROOF COVER. OUTLET TO BE FIELD POWERED/WIRED FROM BUILDING POWER.
 7. PROVIDE WITH ROOF CURB OF HEIGHT REQUIRED TO HAVE THE TOP OF THE CURB A MINIMUM OF 8" ABOVE THE TOP OF THE ROOF SURFACE, OR MINIMUM CURB HEIGHT OF 18", WHICHEVER IS GREATER.
 8. UNIT TO BE CONFIGURED FOR DOWNFLOW DISCHARGE.

NOTES: A. ELECTRICAL CONTRACTOR SHALL COORDINATE WITH MECHANICAL CONTRACTOR TO PROVIDE CONNECTION TO MANUFACTURER PROVIDED EQUIPMENT.

MAKE-UP AIR SUPPLY PACKAGE SCHEDULE

MARK NO.	MANUFACTURER	MODEL	AIRFLOW CFM	EXT. S.P. (IN W.G.)	FAN HP	RPM	COOLING							HEATING-GAS			ELECTRICAL									
							AMB. (°F)	EDB (°F)	EWB (°F)	LDB (°F)	LWB (°F)	TOTAL MBH	SENS. MBH	STAGES	EER	INPUT MBH	OUTPUT MBH	STAGES	NOTES	VOLT	PHASE	HZ	FLA	MCA	MOCP	DISCONNECT
MAU-1	ACCUREX	XDGX-P122-H2D-D1-16	8935	0.5	7.5	1800	100	97	80	200.1	191.3	1	400	368	VARIABLE	1.2	480	3	60	30.6	38.2	50	INTEGRAL	HDP	1" C. (4) #8, (1) #10 G.	A
MAU-2	ACCUREX	XDGX-P118-H12-D1-8	5000	0.5	5	1800	100	97	80	108.7	103.9	1	400	368	VARIABLE	1.2	480	3	60	19.1	23.8	35	INTEGRAL	HDP	3/4" C. (4) #8, (1) #10 G.	A

NOTES: 1. PROVIDE WITH DISCONNECT SWITCH.
 2. PROVIDE WITH ROOF CURB OF HEIGHT REQUIRED TO HAVE THE TOP OF THE CURB A MINIMUM OF 8" ABOVE THE TOP OF THE ROOF SURFACE, OR MINIMUM CURB HEIGHT OF 18", WHICHEVER IS GREATER.

NOTES: A. ELECTRICAL CONTRACTOR SHALL COORDINATE WITH MECHANICAL CONTRACTOR TO PROVIDE CONNECTION TO MANUFACTURER PROVIDED EQUIPMENT.

RADIANT HEATER SCHEDULE

MARK	MANUFACTURER	MODEL	HEATING (NATURAL GAS)			CLEARANCE TO COMBUSTIBLES	NOTES	ELECTRICAL									
			INPUT (MBH)	ENDS (IN)	ABOVE (IN)			BELOW (IN)	VOLT	PHASE	HZ	FLA	MCA	MOCP	DISCONNECT	CIRCUIT TO PANEL	BRANCH CIRCUIT TAG / SIZE
GEH-1	SUNSTAR	SGL50-N7	50	14	17	48	1.2,3	120	1	60	0.4	1	15	15A/1P TOGGLE	P1	2 #12, #12G, 3/4" C.	A,B
GEH-2	SUNSTAR	SGL50-N7	50	14	17	48	1.2,3	120	1	60	0.4	1	15	15A/1P TOGGLE	P1	2 #12, #12G, 3/4" C.	A,B
GEH-3	SUNSTAR	SGL50-N7	50	14	17	48	1.2,3	120	1	60	0.4	1	15	15A/1P TOGGLE	P1	2 #12, #12G, 3/4" C.	A,B
GEH-4	SUNSTAR	SGL50-N7	50	14	17	48	1.2,3	120	1	60	0.4	1	15	15A/1P TOGGLE	P1	2 #12, #12G, 3/4" C.	A,B
GEH-5	SUNSTAR	SGL50-N7	50	14	17	48	1.2,3	120	1	60	0.4	1	15	15A/1P TOGGLE	P1	2 #12, #12G, 3/4" C.	A,B
GEH-6	SUNSTAR	SGL50-N7	50	14	17	48	1.2,3	120	1	60	0.4	1	15	15A/1P TOGGLE	P1	2 #12, #12G, 3/4" C.	A,B

NOTES: 1. PROVIDE WITH MANUFACTURER'S 2-STAGE DIGITAL THERMOSTAT. REFER TO PLAN FOR T-STAT QUANTITY. PROVIDE RELAY KITS AS REQUIRED TO CONNECT MULTIPLE HEATERS TO T-STAT.
 2. PROVIDE WITH HEAT SHIELD FOR REDUCED CLEARANCE REQUIREMENTS.
 3. PROVIDE WALL / CEILING TELESCOPIC ADJUSTABLE MOUNTING BRACKET KIT.

NOTES: A. ELECTRICAL CONTRACTOR SHALL PROVIDE DISCONNECT AND COORDINATE LOCATION WITH MECHANICAL CONTRACTOR PRIOR TO INSTALL.
 B. CIRCUIT THROUGH RELAY PANEL. COORDINATE ON/OFF SCHEDULE WITH OWNER.

UNIT HEATER SCHEDULE

MARK NO.	MANUFACTURER	MODEL	TYPE	AIRFLOW (CFM)	HEATING (ELEC.)		NOTES	ELECTRICAL									
					OUTPUT (MBH)	INPUT (KW)		VOLT	PHASE	HZ	FLA	MCA	MOCP	DISCONNECT	CIRCUIT TO PANEL	BRANCH CIRCUIT TAG / SIZE	NOTES
UH-1	BERKO	HUHAAS27	HORIZONTAL	350	17	5	1.2,3	277	1	60	18.0	22.6	25	INTEGRAL	L	3/4" C. (4) #10, (1) #10 G.	A
UH-2	BERKO	HUHAAS27	HORIZONTAL	350	17	5	1.2,3	277	1	60	18.0	22.6	25	INTEGRAL	L	3/4" C. (4) #10, (1) #10 G.	A
UH-3	BERKO	HUHAAS27	HORIZONTAL	350	17	5	1.2,3	277	1	60	18.0	22.6	25	INTEGRAL	L	3/4" C. (4) #10, (1) #10 G.	A

NOTES: 1. PROVIDE WITH DISCONNECT SWITCH.
 2. PROVIDE WITH INTEGRAL THERMOSTAT.
 3. PROVIDE WITH WALL HANGING KIT.

NOTES: A. ELECTRICAL CONTRACTOR SHALL COORDINATE WITH MECHANICAL CONTRACTOR TO PROVIDE CONNECTION TO MANUFACTURER PROVIDED EQUIPMENT.

*HEATING KW IS NET CAPACITY AT VOLTAGE AND PHASE INDICATED.

FAN SCHEDULE

MARK NO.	MANUFACTURER	MODEL	TYPE	AIRFLOW (CFM)	S.P. (IN W.G.)	FAN TYPE	SCONES	RPM	DRIVE	HP	NOTES	ELECTRICAL									
												VOLT	PHASE	HZ	FLA	MCA	MOCP	DISCONNECT	CIRCUIT TO PANEL	BRANCH CIRCUIT TAG / SIZE	NOTES
EF-1	GREENHECK	G-140-VG	ROOF MOUNTED	1225	0.5	BI	7.6	1044	DIRECT	1/2	1	115	1	60.00	6.4	8	15	15A/1P TOGGLE	P1	2 #12, #12G, 3/4" C.	A,B

NOTES: 1. PROVIDE WITH ROOF CURB, DISCONNECT SWITCH, EC MOTOR, SPEED CONTROLLER, BIRD SCREEN, AND BACKDRAFT DAMPER.

NOTES: A. ELECTRICAL CONTRACTOR SHALL COORDINATE WITH MECHANICAL CONTRACTOR TO PROVIDE CONNECTION TO MANUFACTURER PROVIDED EQUIPMENT.
 B. CIRCUIT THROUGH RELAY PANEL AND SCHEDULE WITH RADIANT HEATERS.

ARCHITECT OF RECORD

brr BRR ARCHITECTURE INC.
 818 WENTWORTH AVENUE
 SUITE 200
 OVERLAND PARK, KS 66204
 WWW.BRRARCH.COM
 TEL: 913.263.8666
 FAX: 913.263.8644

CONSULTANT

Lankford + associates
 1730 Walnut Street
 Kansas City, Missouri 64108
 816.221.1411
 Fax: 816.221.1420
 E-Mail: info@lankfordassoc.com
 E-Mail: Project No. 27-704-00

CLIENT

PROJECT TITLE

Q39 (SHELL)
 LEE'S SUMMIT, MO
 OLDHAM VILLAGE

PROJECT NUMBER	62910099
PROJECT MANAGER	AVM
DRAWN BY	EDG
CHECKED BY	
PROFESSIONAL SEAL	



COPYRIGHT NOTICE

THIS DRAWING WAS PREPARED FOR USE ON A SPECIFIC SITE. CONTRACTOR SHALL VERIFY ALL DIMENSIONS AND CONDITIONS PRIOR TO USE ON A DIFFERENT PROJECT SITE OR AT A LATER TIME. USE OF THIS DRAWING FOR ANY OTHER PROJECT WITHOUT THE WRITTEN PERMISSION OF THE ARCHITECT IS PROHIBITED. REPRODUCTION OF THIS DRAWING FOR ANY OTHER PROJECT IS NOT AUTHORIZED AND MAY BE CONTRARY TO THE LAW.

BRR DOES NOT GUARANTEE THAT CAD FILES ARE SUFFICIENT OR APPROPRIATE FOR USER'S PURPOSES. USER USES OR ALTERS THESE FILES AT USER'S SOLE RISK AND AGREES TO ACCEPT FULL LIABILITY ARISING FROM USER'S USE.

NUMBER	DATE	DESCRIPTION
1	ISSUED	ORIGINAL ISSUE
2	REVISED	ADDENDUM 1
3	REVISED	ADDENDUM 2

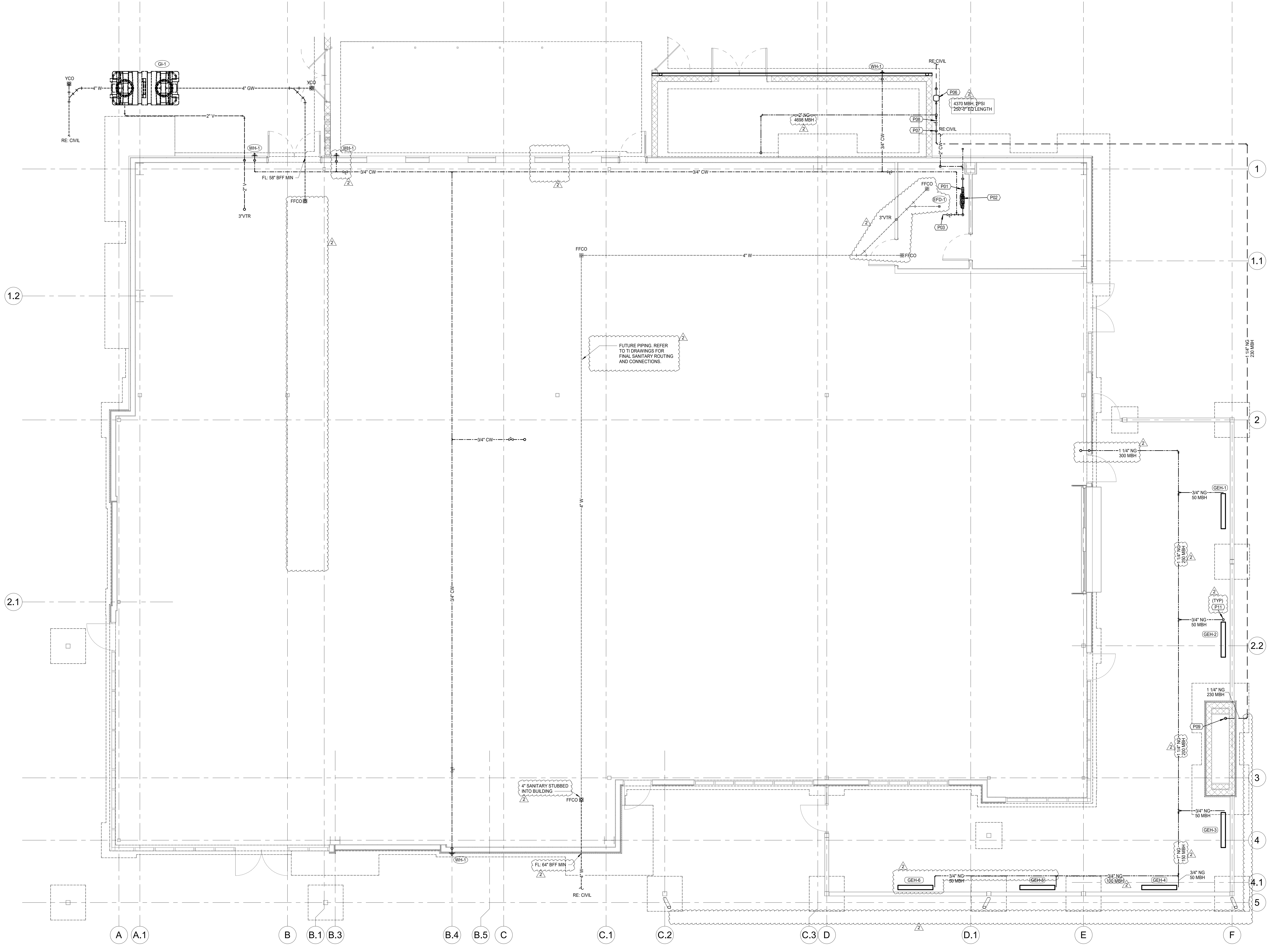
SHEET NAME

MEP SCHEDULES
 SHEET NUMBER

MEP103

- FLOOR PLAN NOTES**
- P01 PROVIDE NEW 2" RPZ BACKFLOW PREVENTER, WATTS LF009 OR EQUAL. ROUTE WASTE FROM AIR-GAP FITTING TO FLOOR DRAIN AND INDIRECT WASTE.
 - P02 PROVIDE NEW 1" DOUBLE CHECK BFP, WATTS LF007 OR EQUAL. VALVE AND CAP FOR FUTURE CONNECTION TO IRRIGATION SYSTEM.
 - P03 VALVE AND CAP 2" COLD WATER FOR FUTURE CONNECTION.
 - P06 NEW GAS METER BY UTILITY. PROVIDE ALL FITTINGS AND ACCESSORIES REQUIRED FOR COMPLETE INSTALLATION/CONNECTION PER UTILITY STANDARDS. COORDINATE FINAL GAS LOAD WITH UTILITY PRIOR TO CONSTRUCTION.
 - P07 ROUTE GAS PIPING DOWN BELOW GRADE.
 - P08 PROVIDE INLINE PRESSURE REGULATOR - INLET: 27PSI, OUTLET: 87PSI.
 - P09 CONNECT TO FIREPLACE WITH GAS COOK, DIRT LEG, AND UNION AND/OR APPLIANCE CONNECTOR IN ACCESSIBLE LOCATION. PROVIDE ELECTRONIC SOLENOID VALVE INTERLOCKED WITH EMERGENCY STOP BUTTON. RE ELECTRICAL SHEETS FOR LOCATION.
 - P10 NOT USED.
 - P11 CONNECT TO UNIT HEATER WITH GAS COOK, DIRT LEG, AND UNION.

Q39 (SHELL)
LEE'S SUMMIT, MO
 OLDHAM VILLAGE



PROJECT NUMBER: 62910099

APPROVER: Author



COPYRIGHT NOTICE
 THIS DRAWING WAS PREPARED FOR USE ON A SPECIFIC SITE. CONTRACTORS SHALL BE RESPONSIBLE FOR VERIFYING ALL DIMENSIONS AND CONDITIONS PRIOR TO CONSTRUCTION. ANY REPRODUCTION OR USE OF THIS DRAWING FOR ANY OTHER PROJECT WITHOUT THE WRITTEN PERMISSION OF BRR ARCHITECTURE INC. IS STRICTLY PROHIBITED. BRR ARCHITECTURE INC. IS NOT RESPONSIBLE FOR ANY ERRORS OR OMISSIONS IN THIS DRAWING.

ISSUES AND REVISIONS

NUMBER	DATE	DESCRIPTION
1	06/20/25	ISSUE 1
2	06/20/25	ISSUE 2

FLOOR PLAN - PLUMBING

SHEET NUMBER

FLOOR PLAN NOTES

P04 CONNECT TO MECHANICAL EQUIPMENT WITH GAS COOK, DIRT LEG, AND UNION. PROVIDE PRESSURE REGULATOR INLET, PPS, OUTLET, 1/4" W/O WITHIN 10" OF UNIT CONNECTION.
 P05 PRESSURE REGULATOR INLET, PPS, OUTLET, 1/4" W/O WITHIN 10" OF UNIT CONNECTION. VALVE AND CAP NATURAL GAS PIPING ON ROOF FOR FUTURE CONNECTION TO EQUIPMENT.

ARCHITECT OF RECORD
brr BRR ARCHITECTURE INC.
 818 METCAL AVENUE
 SUITE 200
 OVERLAND PARK, KS 66204
 WWW.BRRARCH.COM
 TEL: 913-263-8666
 FAX: 913-263-8544

CONSULTANT
Lankford + Fendler
 + associates
 1730 Walnut Street
 Kansas City, Missouri 64108
 Tel: 816-221-1411
 Fax: 816-221-1420
 E-Mail: info@lankfordfendler.com
 E.P. is a Project No. 27704-00

CLIENT
 PROJECT TITLE



ROOF PLAN - PLUMBING
 SCALE: 1/4" = 1'-0"

Q39 (SHELL)
LEE'S SUMMIT, MO
 OLDHAM VILLAGE

PROJECT NUMBER: 62910099

PROJECT MANAGER	DRAWN BY	CHECKED BY
Approver	Author	

PROFESSIONAL SEAL



COPYRIGHT NOTICE
 THIS DRAWING WAS PREPARED FOR USE ON A SPECIFIC SITE. CONTRACTORS SHALL VERIFY ALL DATA AND CONDITIONS FOR USE ON A DIFFERENT PROJECT SITE OR AT A LATER TIME. USE OF THIS DRAWING WITHOUT THE WRITTEN PERMISSION OF THE ARCHITECT OR ENGINEER IS PROHIBITED. REPRODUCTION OF THIS DRAWING FOR OTHER PROJECTS IS NOT AUTHORIZED AND MAY BE CONTRARY TO THE LAW.
 BRR DOES NOT GUARANTEE THAT CALCULATIONS ARE SUFFICIENT OR APPROPRIATE FOR USER'S PURPOSES. USER USES OR ALTERS THESE FILES AT USER'S SOLE RISK AND AGREES TO HOLD BRR HARMLESS FROM LIABILITY ARISING FROM USER'S USE.

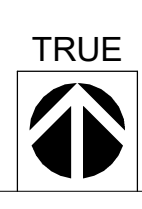
ISSUES AND REVISIONS

NUMBER	DATE	DESCRIPTION
1	ISSUES	ORIGINAL ISSUE
2	REVISED	ADDITIONAL 1
3	ISSUES	ADDITIONAL 2

SHEET NAME
ROOF PLAN - PLUMBING
 SHEET NUMBER

P200

10/16/2025 11:52:22 AM



PLUMBING FIXTURE SCHEDULE

MARK NO.	FIXTURE TYPE	MANUFACTURER	MODEL NO.	DESCRIPTION	MINIMUM CONNECTION SIZE			
					CW	IHW	WASTE	VENT
EFD-1	EQUIPMENT FLOOR DRAIN	J.R. SMITH	2210Y	MEDIUM CAPACITY, MEDIUM DUTY DUCCO CAST IRON BODY, SEDIMENT BUCKET AND GRATE. NO-HUB OUTLET. PROVIDE WITH 6" X 4" OVAL FUNNEL WHERE DRAIN RECEIVES INDIRECT WASTE (AND TRAP PRIMER CONNECTION).	-	-	2"	2"
WH-1	WALL HYDRANT	WOODFORD	67	EXPOSED, FREEZELESS WALL HYDRANT, CHROME PLATED BRASS, 3/4" INLET AND HOSE CONNECTION, INTEGRAL ASSE DOUBLE CHECK BACKFLOW PREVENTER, LOOSE KEY, STEM LENGTH AS REQUIRED.	3/4"	-	-	-
RH-1	ROOF HYDRANT	WOODFORD	SRH-MS	DRAINABLE, FREEZELESS BRASS ROOF HYDRANT, 3/4" INLET AND 3/4" HOSE CONNECTION, ASSE DOUBLE CHECK BACKFLOW PREVENTER, DIVERTER, AUTOMATIC DRAINING, PAIL HOOK, LEVER ACTUATOR WITH GALVANIZED STEEL ROD AND ONE PIECE PLUNGER, CAST IRON MOUNTING SUPPORT AND UNDER DECK FLANGE WITH WEATHER PROOF BOOT ASSEMBLY.	3/4"	-	-	-

GREASE INTERCEPTOR SCHEDULE

MARK NO.	MANUFACTURER	MODEL NO.	MATERIAL	INSTALLATION	LIQUID CAPACITY (GAL)	GREASE CAPACITY (LBS)	FLOW RATE (GPM)	INLET/OUTLET SIZE	COVER TYPE	MAX OPERATING TEMP (°F)	NOTES
GI-1	SCHIER	GB-500	ENGINEERED POLYETHYLENE	BELOW GRADE	510	3.048	100	4"	GAS/WATER TIGHT	140	1,2,3

NOTES:

- PROVIDE WITH EXTENSION OR RISERS AS REQUIRED TO MEET GRADE/SLAB.
- PROVIDE HIGH-WATER ANCHOR KIT WHERE INTERCEPTOR IS INSTALLED IN AREA SUSCEPTIBLE TO HIGH WATER TABLE.
- VENT INTERCEPTOR PER AHJ REQUIREMENTS AND MANUFACTURER'S RECOMMENDATIONS.

NATURAL GAS SCHEDULE

TAG	FIXTURE	CONNECTED LOAD (MBH)
MECHANICAL EQUIPMENT		
RTU-1	ROOF TOP UNIT	400
RTU-2	ROOF TOP UNIT	250
RTU-3	ROOF TOP UNIT	250
RTU-4	ROOF TOP UNIT	400
MAU-1	MAKEUP AIR UNIT	800
MAU-2	MAKEUP AIR UNIT	400
GEH-1	RADIANT HEATER	50
GEH-2	RADIANT HEATER	50
GEH-3	RADIANT HEATER	50
GEH-4	RADIANT HEATER	50
GEH-5	RADIANT HEATER	50
GEH-6	RADIANT HEATER	50
MECHANICAL EQUIPMENT TOTAL:		2800
PLUMBING EQUIPMENT		
-	(FUTURE) WATER HEATER	199
-	(FUTURE) WATER HEATER	199
PLUMBING EQUIPMENT TOTAL:		398
KITCHEN EQUIPMENT		
-	FUTURE (ESTIMATED)	1500
KITCHEN EQUIPMENT TOTAL:		1500
MISC EQUIPMENT		
FIRE TABLE - NOT USED		-
FIREPLACE		230
MISC EQUIPMENT TOTAL:		230
TOTAL GAS LOAD		4928

NOTES:

INTERIOR GAS PIPING SIZED PER TABLE 402.4(5) WITH A TOTAL DEVELOPED LENGTH OF 250'-0" AND A SERVICE PRESSURE OF 2 PSI.

SET PRESSURE REGULATORS TO 8" W.C. OR AS REQUIRED BY EQM MANUFACTURER.

GENERAL NOTES (TYPICAL ALL SHEETS)

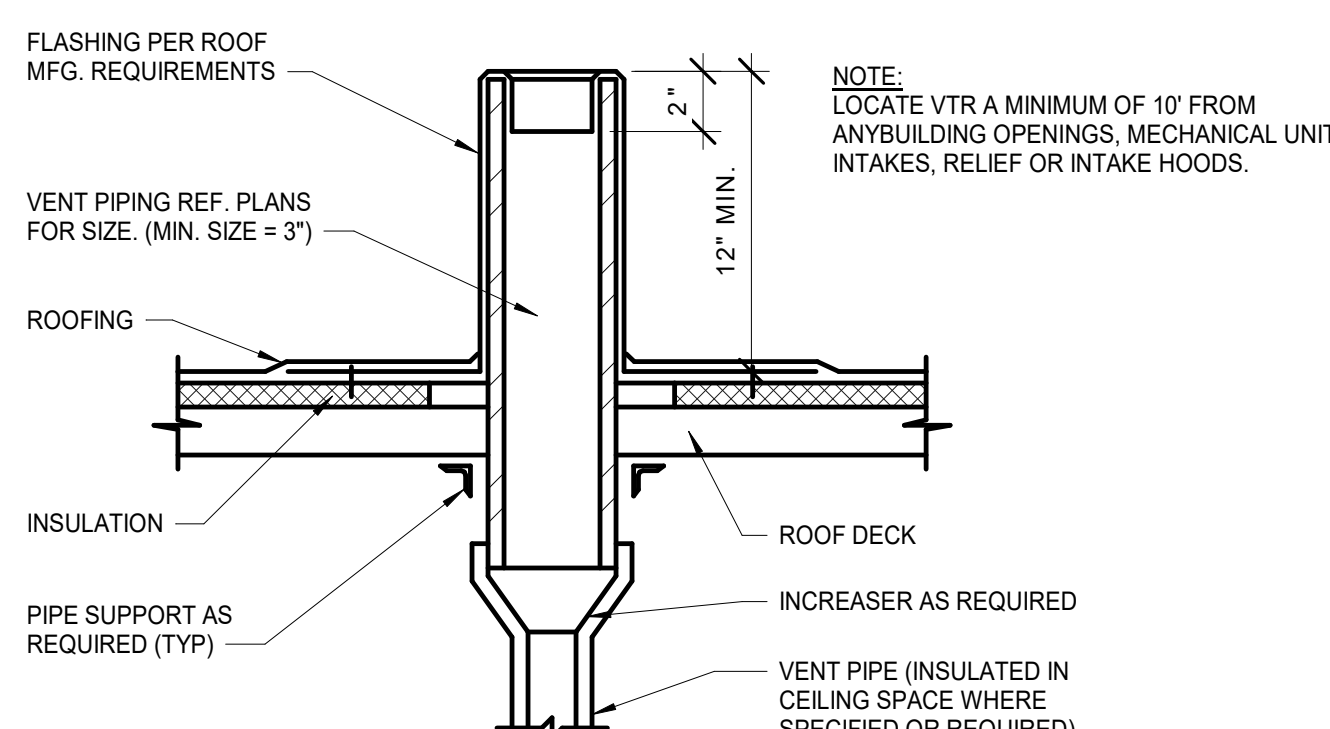
- PLUMBING CONTRACTOR IS RESPONSIBLE TO SEE THAT WORK MEETS AND IS IN ACCORDANCE WITH ALL REQUIREMENTS OF FEDERAL, STATE, AND LOCAL LAWS AND CODES AND/OR REQUIREMENTS, INCLUDING HEALTH CODES AND BUILDING OWNER.
- COORDINATE ALL WORK WITH OTHER TRADES PRIOR TO INSTALLATION TO AVOID ROUTING CONFLICTS.
- INSTALL ELASTOMERIC JOINT SEALER AROUND ALL PIPES PASSING THRU INTERIOR NON-RATED CONCRETE AND MASONRY WALLS, GYPSUM BOARD PARTITIONS, AND CONCRETE FLOOR/ROOF SLABS. FOR FIRE RATED INTERIOR CONCRETE AND MASONRY WALLS, GYPSUM BOARD PARTITIONS, AND CONCRETE FLOOR/ROOF SLABS SEAL ALL PIPES. INSTALL FIRESTOP MATERIALS IN ALL GAPS PRIOR TO SEALANT APPLICATION. INSTALL SEALER ACCORDING TO MANUFACTURER'S WRITTEN INSTRUCTIONS.
- PLUMBING CONTRACTOR SHALL MAKE FINAL CONNECTION TO ALL EQUIPMENT BY OTHERS. VERIFY CONNECTIONS SIZES AND REQUIREMENTS.
- PLUMBING CONTRACTOR SHALL PROVIDE PRO-SET SYSTEMS TRAP GUARD IN ALL FLOOR DRAIN TRAPS WITHIN PROJECT SCOPE OF WORK.
- PLUMBING CONTRACTOR SHALL VERIFY WALL THICKNESS WITH ARCHITECT PRIOR TO ORDERING FREEZE PROOF WALL HYDRANTS.
- UPON REQUEST FOR ELECTRONIC FILES, CONTRACTOR SHALL FILL OUT, SIGN AND RETURN ELECTRONIC MEDIA RELEASE FORM FROM ENGINEER AND PROVIDE PAYMENT FOR FEES STIPULATED ON ELECTRONIC MEDIA RELEASE FORM. UPON RECEIPT OF COMPLETED RELEASE FORM AND PAYMENT, ELECTRONIC FILES WILL BE RELEASED.
- ALL CABLE TIES FOR LOW VOLTAGE SYSTEMS LOCATED IN PLenums UTILIZED FOR AIR MOVEMENT THAT ARE NOT INSTALLED IN CONDUIT SHALL BE 2550 FLAME AND SMOKE RATED, HELLEBRAND TYTON T50 R0CCUL, OR EQUIVALENT.

FIRE STOPPING REQUIREMENTS

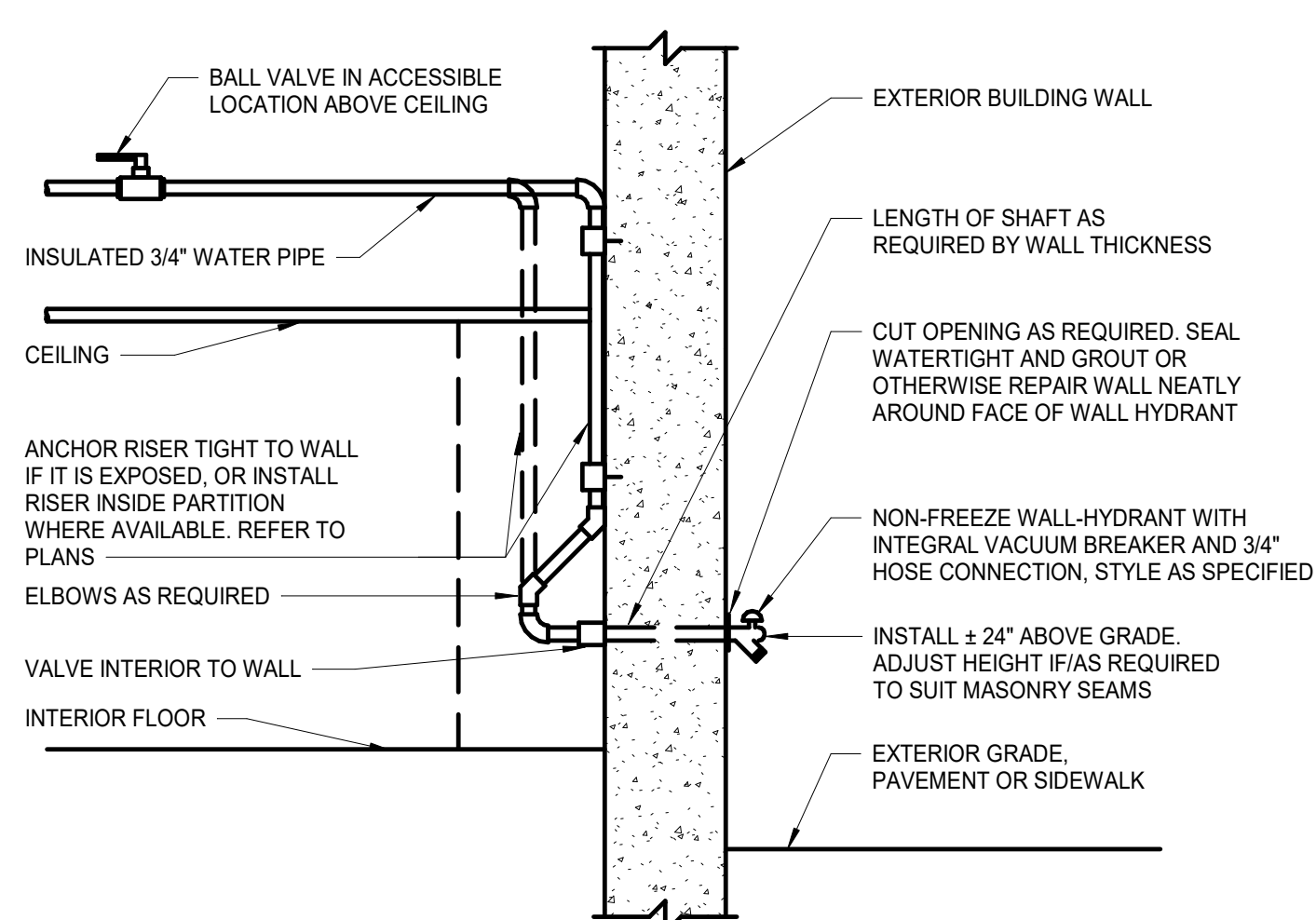
CONTRACTOR TO PROVIDE FIRESTOPPING AT ALL FIRE RATED ASSEMBLIES MEETING THE MANUFACTURER'S FIRESTOPPING U.L. LISTED DETAILS AND INSTRUCTIONS PER LOCAL CODES AND JURISDICTIONS. CONTRACTOR IS RESPONSIBLE FOR COORDINATING LOCATIONS WITH ARCHITECTURAL FIRE RATINGS ON PLANS OR AS REQUIRED.

PLUMBING SYMBOLS

- EXISTING TO REMAIN
- NEW PIPING
- CW - COLD WATER
- NG - NATURAL GAS
- V - SANITARY VENT ABOVE GRD. FLOOR ABOVE
- V - SANITARY VENT BELOW GROUND
- W - SANITARY WASTE BELOW GROUND
- GW - GREASE WASTE ABOVE GRD. FLOOR ABOVE
- GW - GREASE WASTE BELOW GROUND
- GAS SHUT-OFF COCK
- SHUT-OFF VALVE
- PRESSURE REGULATOR
- FLOOR DRAIN
- PIPE DROP/PIPE RISE
- BOTTOM OUTLET TEE
- TOP OUTLET TEE
- WALL HYDRANT
- WALL CLEANOUT
- FINISHED FLOOR CLEANOUT
- VENT THROUGH ROOF
- EQUIPMENT TYPE AND DESIGNATION
- PLUMBING FIXTURE TYPE AND DESIGNATION

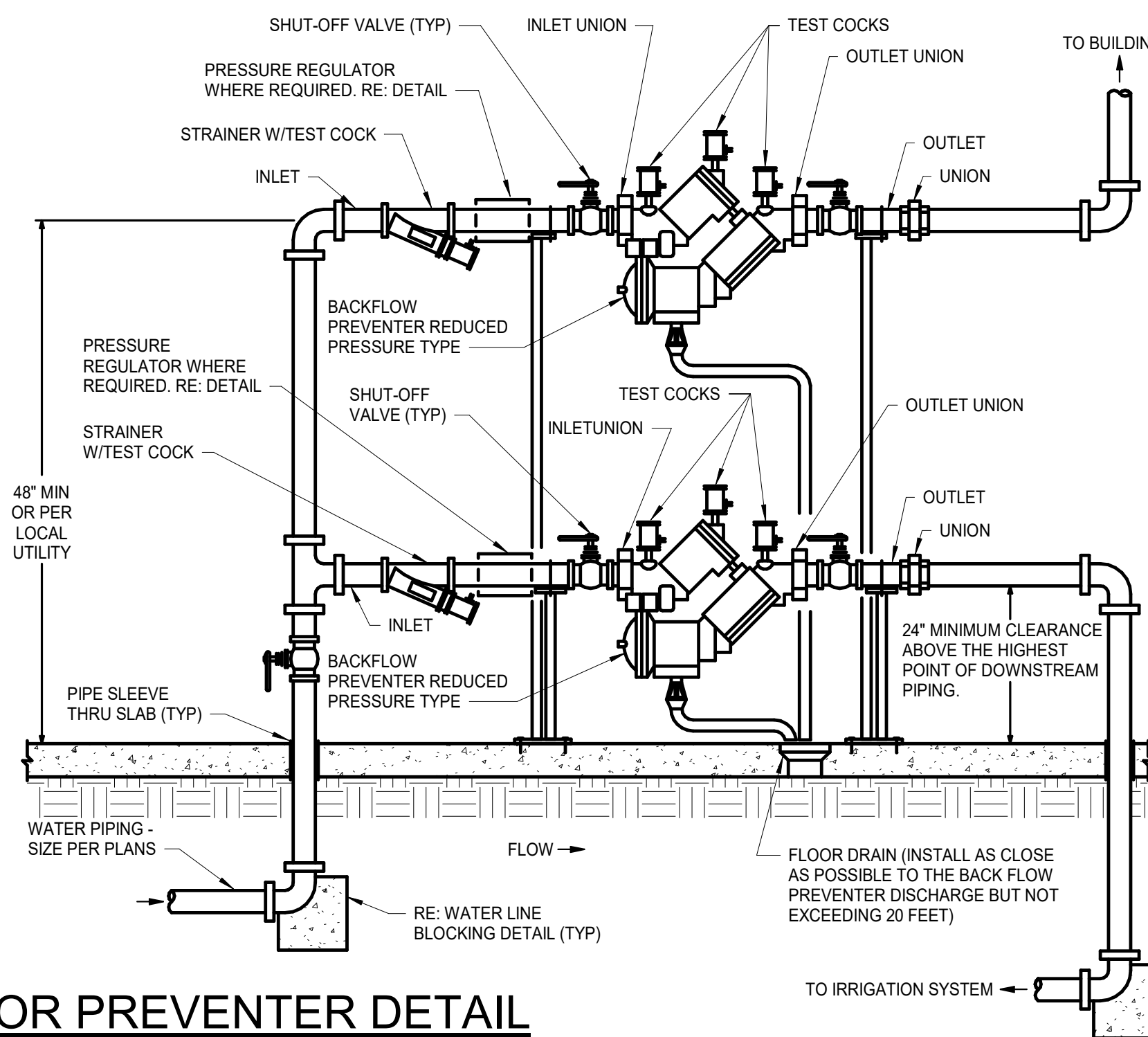


VENT THRU ROOF DETAIL
NOT TO SCALE



NON-FREEZE WALL HYDRANT DETAIL
NOT TO SCALE

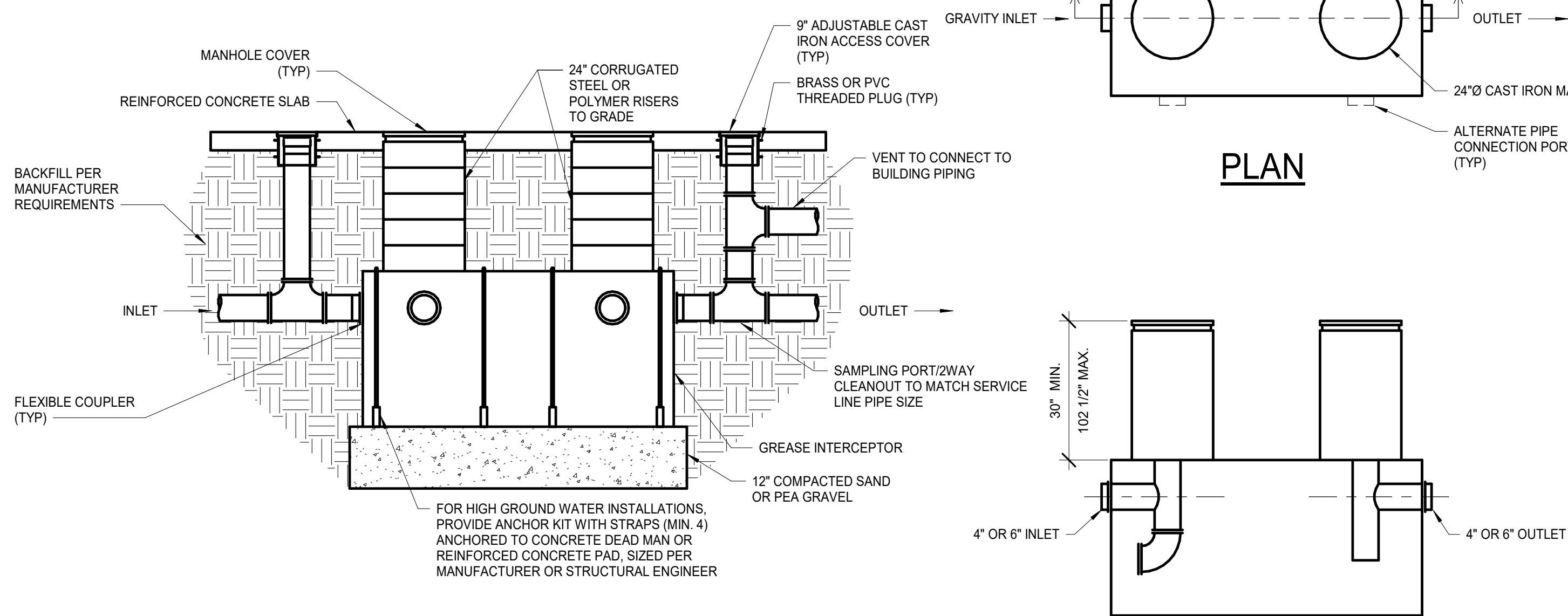
- NOTES:
- PROVIDE PRESSURE REGULATOR, SET TO 7.5 PSI WHERE SOURCE PRESSURE EXCEEDS 80 PSI. INSTALL DOWNSTREAM OF BACKFLOW PREVENTER OUTLET. RE: DETAIL.
 - ARRANGEMENT SHOWN IS SCHEMATIC. MODIFY TO SUIT CONDITIONS. INSTALL SO BFP CAN BE SERVICED AND TESTED IN ACCORDANCE W/ ALL RULES & REGULATIONS OF LOCAL AUTHORITIES.
 - ROUTE DRAIN AS INDICATED ON PLANS.
 - SUPPORT AS REQUIRED FROM SLAB.



INTERIOR BACKFLOW PREVENTER DETAIL
NOT TO SCALE

GENERAL NOTES:

- INSTALLATION SHALL BE IN ACCORDANCE WITH ALL REQUIREMENTS OF AUTHORITY HAVING JURISDICTION AND MANUFACTURER.
- PROVIDE INTERCEPTOR COMPLETE WITH ALL ACCESSORIES AS SPECIFIED & AS NECESSARY FOR A COMPLETE WORKING SYSTEM.
- SEPARATE DISCHARGE 3-WAY CLEANOUT & SAMPLING PORT MAY BE USED.
- PROVIDE INLET FLOW RESTRICTOR PER MANUFACTURER REQUIREMENTS.
- CONCRETE HOLD DOWN PAD AND SURFACE PAD TO BE COORDINATED AND DESIGNED BY BOTH CIVIL AND STRUCTURAL.
- MAN HOLES AND SLAB LOCATED IN VEHICLE TRAFFIC AREAS SHALL BE H20 RATED.



ELEVATION

SECTION A-A

POLYETHYLENE UNDERGROUND GREASE INTERCEPTOR DETAIL
NOT TO SCALE

brr ARCHITECTURE INC.
1111 METCALF AVENUE
SUITE 200
OVERLAND PARK, KS 66204
WWW.BRRARCH.COM
TEL: 913.263.9666
FAX: 913.263.9444

Lankford + associates
1730 Walnut Street
Kansas City, Missouri 64108
Tel: 816.221.1411
Fax: 816.221.1420
www.lankfordassociates.com
E: J.P. or Project No. 27.704.00

Q39 (SHELL)
LEE'S SUMMIT, MO
OLDHAM VILLAGE

PROJECT NUMBER	62910099
PROJECT MANAGER	DRAWN BY
Approver	Author
PROFESSIONAL SEAL	CHECKED BY



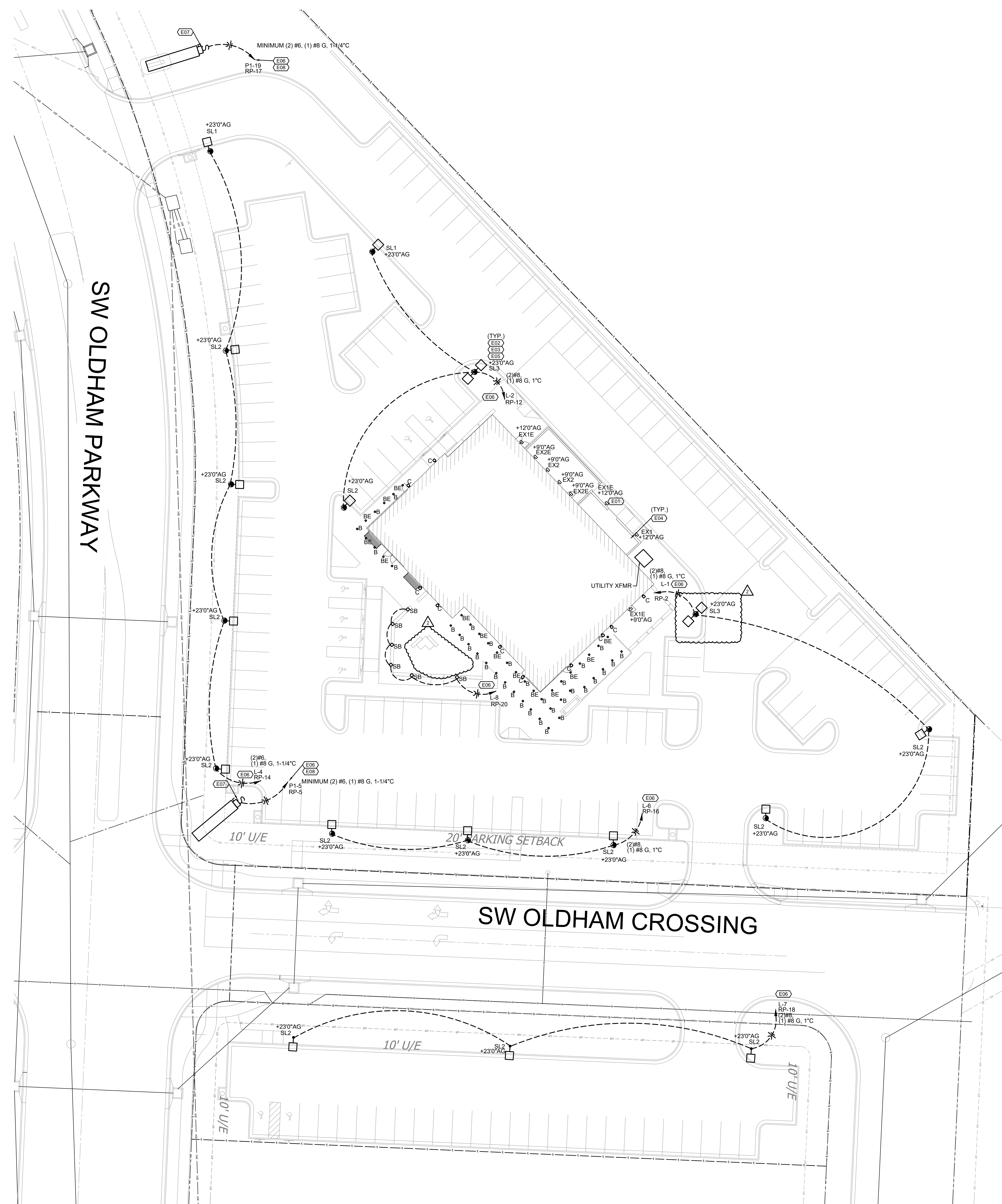
COPYRIGHT NOTICE

THIS DRAWING WAS PREPARED FOR USE ON A SPECIFIC SITE. CONTRACTOR SHALL BE RESPONSIBLE TO VERIFY ALL DIMENSIONS AND CONDITIONS PRIOR TO CONSTRUCTION. THIS DRAWING IS THE PROPERTY OF BRR ARCHITECTURE INC. AND IS NOT TO BE REPRODUCED OR TRANSMITTED IN ANY FORM OR BY ANY MEANS, ELECTRONIC OR MECHANICAL, INCLUDING PHOTOCOPYING, RECORDING, OR BY ANY INFORMATION STORAGE AND RETRIEVAL SYSTEM, WITHOUT THE WRITTEN PERMISSION OF BRR ARCHITECTURE INC. ANY REPRODUCTION OR TRANSMISSION OF THIS DRAWING FOR USE ON ANOTHER PROJECT IS NOT AUTHORIZED AND MAY BE CONTRARY TO THE LAW.

BRR DOES NOT GUARANTEE THAT CAD FILES ARE SUFFICIENT OR APPROPRIATE FOR USER'S PURPOSES. USER USES OR ALTERS THESE FILES AT USER'S SOLE RISK AND AGREES TO ACCEPT ANY RISK FROM LIABILITY ARISING FROM USER'S USE.

NUMBER	DATE	DESCRIPTION
1	ISSUES	ORIGINAL ISSUE
2	ISSUES	ADDITIONAL 1
3	ISSUES	ADDITIONAL 2

PLUMBING SCHEDULES, GEN. NOTES, & SYMBOLS



SITE PLAN NOTES

1. REFERENCE RISER DIAGRAM FOR ADDITIONAL INFORMATION.
2. REFERENCE MANUFACTURER SPECIFICATIONS PRIOR TO INSTALLATION OF POLE MOUNTED LIGHT FIXTURE. REFERENCE LIGHT POLE BASE ON SHEET E003. CONFIRM FINISH COLOR WITH OWNER PRIOR TO ORDERING.
3. LIGHT FIXTURES SHALL BE INSTALLED IN GENERAL LOCATION SHOWN. COORDINATE WITH OTHER TRADES PRIOR TO INSTALL.
4. REFERENCE SHEET E200 FOR CIRCUITING OF BUILDING MOUNTED FIXTURES.
5. REFERENCE LIGHT FIXTURE SCHEDULE FOR ADDITIONAL INFORMATION.
6. ROUTE HOMERUN THROUGH LIGHTING CONTROL RELAY PANEL AS INDICATED. REFER TO SCHEDULES FOR ADDITIONAL INFORMATION.
7. PROVIDE NEMA 3R TOGGLE DISCONNECT SWITCH FOR MONUMENT SIGN. VERIFY EXACT LOCATION AND POWER REQUIREMENTS WITH SIGNAGE VENDOR PRIOR TO INSTALL.
8. VERIFY MONUMENT SIGN POWER REQUIREMENTS WITH OWNER PRIOR TO ROUGH-IN. CALCULATE PROPER CONDUCTOR SIZE REQUIRED TAKING VOLTAGE DROP INTO CONSIDERATION.
9. PROVIDE POWER CONNECTION TO FIRE PIT. PROVIDE EPO AND CONTROL WIRING AS REQUIRED.

ARCHITECT OF RECORD

brr

BRR ARCHITECTURE INC.
 818 WETSLAF AVENUE
 SUITE 200
 OVERLAND PARK, KS 66204
 WWW.BRRARCH.COM
 TEL: 913-242-9895
 FAX: 913-242-9844

CONSULTANT

Lankford + Fendler

+ associates

1730 Walnut Street
 Kansas City, Missouri 64108
 816.221.1411
 816.221.1422
 comment: www.lankfordfendler.com

CLIENT

PROJECT TITLE

Q39 (SHELL)
LEE'S SUMMIT, MO
 OLDHAM VILLAGE

PROJECT NUMBER: 62910099

PROJECT MANAGER	DRAWN BY	CHECKED BY
Approver	Author	

PROFESSIONAL SEAL



COPYRIGHT NOTICE

THIS DRAWING WAS PREPARED FOR USE ON A SPECIFIC SITE. IT IS THE PROPERTY OF BRR ARCHITECTURE INC. AND IS NOT TO BE REPRODUCED OR USED FOR ANY OTHER PROJECT WITHOUT THE WRITTEN PERMISSION OF BRR ARCHITECTURE INC. THE SERVICES OF BRR ARCHITECTURE INC. ARE LIMITED TO THE DESIGN AND CONSTRUCTION OF THE PROJECT SHOWN ON THIS DRAWING. BRR ARCHITECTURE INC. IS NOT RESPONSIBLE FOR ANY OTHER PROJECTS OR FOR ANY OTHER PROJECTS THAT MAY BE AUTHORIZED OR MAY BE CONTINGENT UPON THIS PROJECT.

BRR DOES NOT GUARANTEE THAT THIS DRAWING IS SUFFICIENT OR APPROPRIATE FOR USER'S PURPOSES. USER USES OR ALTERS THIS DRAWING AT USER'S SOLE RISK AND AGREES TO HOLD BRR ARCHITECTURE INC. HARMLESS FROM USER'S USE.

ISSUES AND REVISIONS

NUMBER	DATE	ORIGINAL ISSUE	DESCRIPTION
1	08/20/25	ADDENDUM 1	
2	10/16/25	ADDENDUM 2	

SHEET NAME

SITE PLAN - ELECTRICAL

SHEET NUMBER

TRUE
SITE PLAN-ELECTRICAL
 SCALE: 1" = 20'-0"

E001



SITE PLAN NOTES

1. PHOTOMETRICS ARE CALCULATED REFERRING IES FILES FROM SPECIFIED LIGHT FIXTURES. LIGHT FIXTURE ALTERNATES OR CHANGES TO MOUNTING HEIGHTS MAY DIFFER IN PHOTOMETRIC SUMMARY AND SHALL BE CALCULATED AS REQUIRED.

CALCULATION SUMMARY							
	CALC TYPE	UNITS	AVG	MAX	MIN	AVGMIN	MAXMIN
MAIN PARKING LOT	ILLUMINANCE	FOOTCANDLES	3.89	8.7	1.0	3.90	8.70
SOUTH PARKING LOT	ILLUMINANCE	FOOTCANDLES	2.67	5.0	1.4	1.91	3.57
PROPERTY LINE - MAIN PROPERTY	ILLUMINANCE	FOOTCANDLES	0.84	3.1	0.0	—	—
PROPERTY LINE - SOUTH PARKING	ILLUMINANCE	FOOTCANDLES	1.13	2.3	0.1	11.50	23.00

ARCHITECT OF RECORD

brr ARCHITECTURE INC.
 838 WESTGATE AVENUE
 SUITE 200, PARK, KS 66204
 WWW.BRRARCH.COM
 TEL: 913-882-9895
 FAX: 913-882-8844

CONSULTANT

Lankford + Fendler
 + associates
 1730 Walnut Street
 Kansas City, Missouri 64108
 816.221.1411
 Fax: 816.221.1420
 CONSULTANT TO: LANKFORD + FENDLER ASSOCIATES, INC.
 E.I.P. # Project No. 2210000

CLIENT

PROJECT TITLE

Q39 (SHELL)
LEE'S SUMMIT, MO
 OLDHAM VILLAGE

PROJECT NUMBER	62910099
PROJECT MANAGER	DRAWN BY
Approver	Author
CHECKED BY	



COPYRIGHT NOTICE

THIS DRAWING WAS PREPARED FOR USE ON A SPECIFIC SITE. CONTAINED HEREIN IS THE PROPERTY OF BRR ARCHITECTURE INC. AND IS NOT TO BE REPRODUCED OR TRANSMITTED IN ANY FORM OR BY ANY MEANS, ELECTRONIC OR MECHANICAL, INCLUDING PHOTOCOPYING, RECORDING, OR BY ANY INFORMATION STORAGE AND RETRIEVAL SYSTEM, WITHOUT THE WRITTEN PERMISSION OF BRR ARCHITECTURE INC. THE SERVICES OF PROFESSIONAL ARCHITECTS AND ENGINEERS REPRESENTED ON THIS DRAWING FOR THIS PROJECT ARE NOT AUTHORIZED AND MAY BE CONTINUOUS TO THE LAW.

BRR DOES NOT GUARANTEE THAT THIS FILE IS SUFFICIENT OR APPROPRIATE FOR USER'S PURPOSES. USER USES OR ALTERS THESE FILES AT USER'S OWN RISK AND AGREES TO HOLD BRR HARMLESS FROM LIABILITY ARISING FROM LIGHTS USE.

ISSUES AND REVISIONS			
NUMBER	DATE	ISSUE	DESCRIPTION
1	08/20/25	ADDITIONAL	
2	10/15/25	ADDITIONAL	

SHEET NAME

SITE PLAN - PHOTOMETRIC

SHEET NUMBER

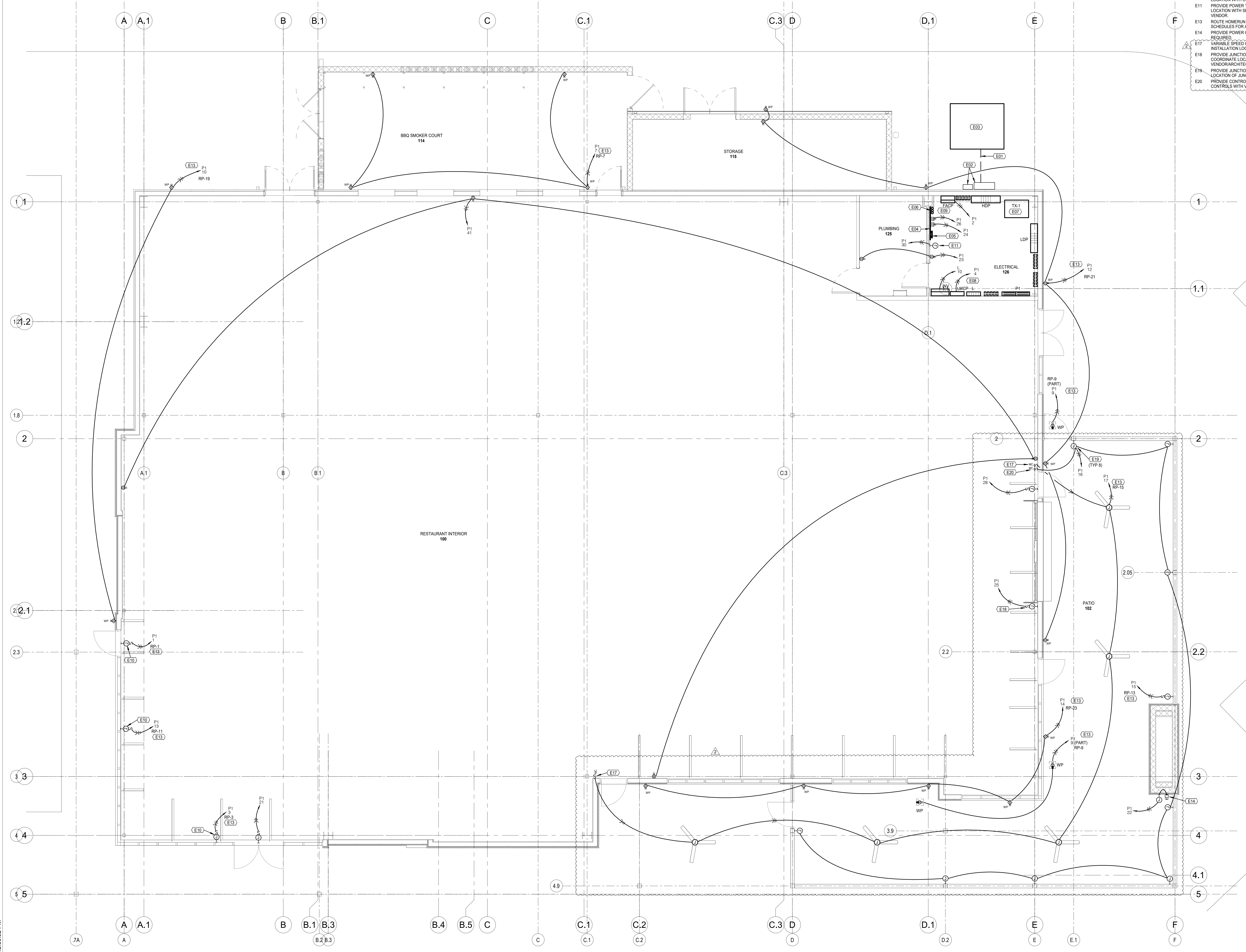
TRUE

SITE PLAN-PHOTOMETRIC
 SCALE: 1" = 20'-0"

E002

FLOOR PLAN NOTES

- E01 PROVIDE TRANSFORMER SECONDARY FEEDERS REFER TO RISER DIAGRAM AND FEEDER SCHEDULE FOR MORE INFORMATION.
- E02 PROVIDE UTILITY METER BASE AND CT CABINET PER UTILITY STANDARDS. PROVIDE GROUND PER UTILITY STANDARDS. ROUTE CONDUIT TO ELECTRICAL SERVICE ENTRANCE EQUIPMENT.
- E03 UTILITY TRANSFORMER PROVIDED BY THE UTILITY COMPANY. PROVIDE CONCRETE PAD PER UTILITY COMPANY STANDARDS. COORDINATE EXACT LOCATION OF PAD WITH ARCHITECTURAL AND CIVIL PLANS. ENSURE THAT UTILITY REQUIRED CLEARANCES ARE MAINTAINED.
- E04 PROVIDE 4" X 8" X 3/4" FIRE TREATED PLYWOOD BACKBOARDS, PAINTED ON ALL SIDES WITH TWO COATS OF WHITE FIRE RETARDANT PAINT.
- E05 PROVIDE MAIN TELECOMMUNICATIONS GROUND BAR. PROVIDE WITH STAND-OFF ISOLATORS AND GROUND WIRE BACK TO BUILDING MAIN GROUNDING ELECTRODE SYSTEM.
- E06 PROVIDE 3" CONDUITS WITH PULL STRING TO PROPERTY LINE FOR CONNECTION TO SERVICE PROVIDERS. COORDINATE LOCATION AND TERMINATION WITH SERVICE PROVIDERS. STUB UP TO 12" AFT WITH DEMARC ROOM.
- E07 FLOORMOUNT TRANSFORMER ON CONCRETE HOUSEKEEPING PAD. SIZE PAD TO BE 4" WIDER ON ALL SIDES RE RISER DIAGRAM FOR ADDITIONAL REQUIREMENTS.
- E08 PROVIDE WATTSTOPPER LMK9-10V LIGHTING CONTROL PANEL. WITH EMERGENCY RELAY CAPABILITY OR APPROVED EQUAL.
- E09 PROVIDE SILENT KNIGHT FIRE ALARM CONTROL PANEL OR APPROVED EQUAL. LOCATION WITH OWNER PRIOR TO INSTALL.
- E10 PROVIDE POWER TO SECURITY ACCESS CONTROL PANEL. VERIFY EXACT ROUGH-IN LOCATION WITH SECURITY VENDOR.
- E11 ROUTE HOMERUN THROUGH LIGHTING CONTROL RELAY PANEL AS INDICATED. REFER TO SCHEDULES FOR ADDITIONAL INFORMATION.
- E12 PROVIDE POWER CONNECTION TO FIREPLACE. PROVIDE EPO AND CONTROL WIRING AS REQUIRED.
- E13 VARIABLE SPEED ON/OFF WALL CONTROL SWITCH FOR OUTDOOR FANS. COORDINATE INSTALLATION LOCATION WITH ARCHITECT.
- E14 PROVIDE JUNCTION BOX WITH TOGGLE DISCONNECT SWITCH FOR ROLL UP DOOR MOTOR. COORDINATE LOCATION OF JUNCTION BOX FOR MOTOR AND MOTOR CONTROLS WITH VENDOR/ARCHITECT PRIOR TO INSTALL.
- E15 PROVIDE JUNCTION BOX FOR CONNECTION TO PATIO SCREEN MOTOR. COORDINATE LOCATION OF JUNCTION BOX FOR MOTOR WITH VENDOR/ARCHITECT PRIOR TO INSTALL.
- E16 PROVIDE CONTROLS FOR PATIO SCREEN MOTORS. COORDINATE LOCATION OF MOTOR CONTROLS WITH VENDOR/ARCHITECT PRIOR TO INSTALL.



PROJECT TITLE

Q39 (SHELL)
LEE'S SUMMIT, MO
 OLDHAM VILLAGE

PROJECT NUMBER: 62910099

PROJECT MANAGER	DRAWN BY	CHECKED BY
Approver	Author	

PROFESSIONAL SEAL



COPYRIGHT NOTICE
 THIS DRAWING WAS PREPARED FOR USE ON A SPECIFIC DATE. CONTRACTORS SHALL BE RESPONSIBLE FOR VERIFYING THE DATE OF THE DRAWING AND THE DATE OF THE PROJECT. ANY REUSE OF THIS DRAWING FOR ANY OTHER PROJECT WITHOUT THE WRITTEN PERMISSION OF BRR ARCHITECTURE INC. IS STRICTLY PROHIBITED. ANY REUSE OF THIS DRAWING FOR ANY OTHER PROJECT WITHOUT THE WRITTEN PERMISSION OF BRR ARCHITECTURE INC. IS STRICTLY PROHIBITED.

ISSUES AND REVISIONS

NUMBER	DATE	DESCRIPTION
1	ISSUES	ORIGINAL ISSUES
2	ISSUES	ADDITIONAL 1
3	ISSUES	ADDITIONAL 2

SHEET NAME

FLOOR PLAN - POWER

SHEET NUMBER

E100

FLOOR PLAN NOTES

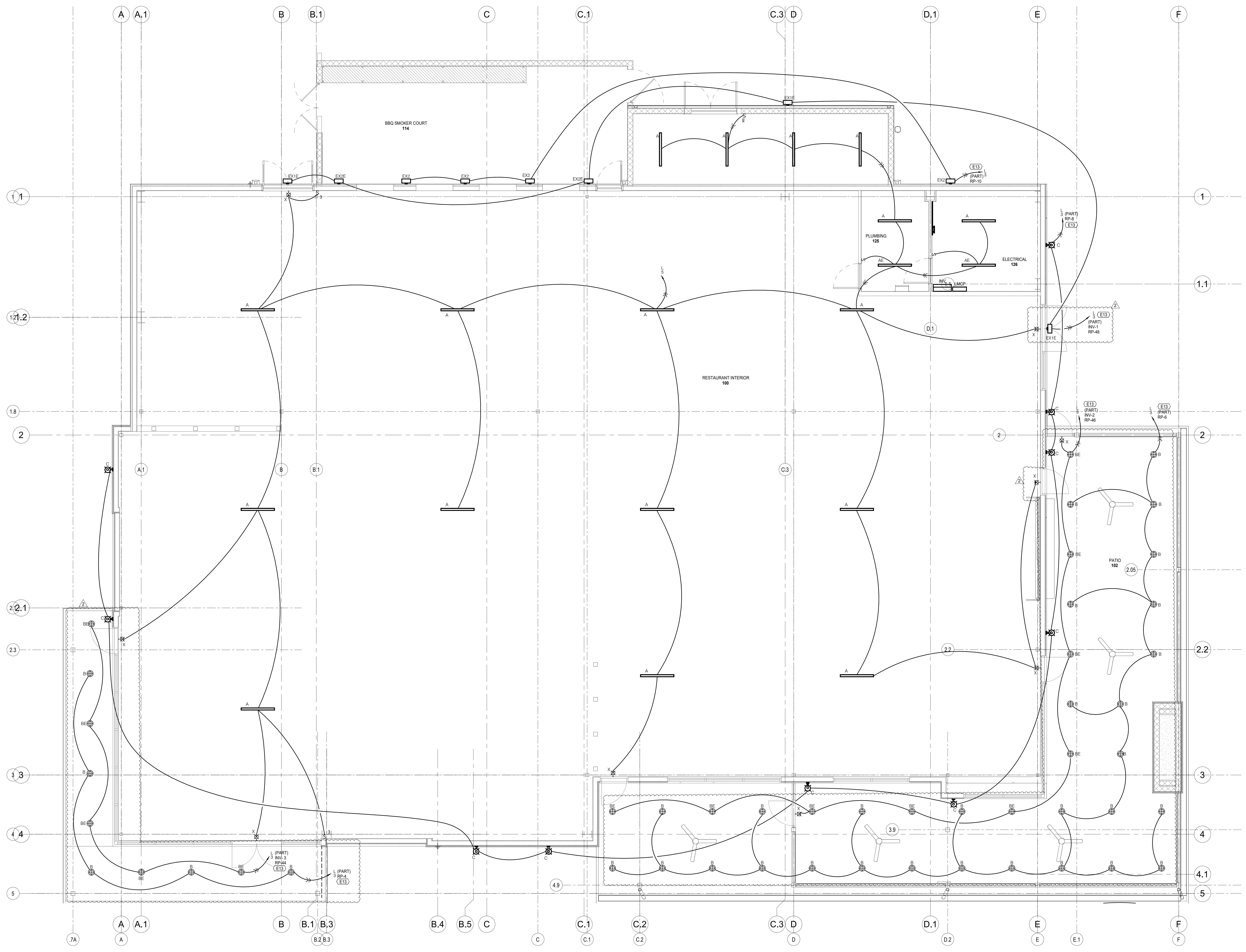
E13 ROUTE HOMERUN THROUGH LIGHTING CONTROL RELAY PANEL AS INDICATED. REFER TO SCHEDULES FOR ADDITIONAL INFORMATION.

ARCHITECT OF RECORD
brr BRR ARCHITECTURE INC.
 818 METCAL AVENUE
 SUITE 200
 OVERLAND PARK, KS 66204
 WWW.BRRARCH.COM
 TEL: 913.263.9666
 FAX: 913.263.9444

CONSULTANT
Lankford + Fendler
 + associates
 1730 Walnut Street
 Kansas City, Missouri 64108
 Tel: 816.221.1411
 Fax: 816.221.1420
 E-mail: info@lankfordfendler.com
 E.I.P. Project No. 2770440

CLIENT

PROJECT TITLE



Q39 (SHELL)
LEE'S SUMMIT, MO
 OLDHAM VILLAGE

PROJECT NUMBER: 62910099

PROJECT MANAGER	DRAWN BY	CHECKED BY
Approver	Author	

PROFESSIONAL SEAL



COPYRIGHT NOTICE
 THIS DRAWING WAS PREPARED FOR USE ON A SPECIFIC DATE. CONTRACTORS SHALL BE RESPONSIBLE FOR VERIFYING THE DATE OF THIS DRAWING AND THE DATE OF ANY REVISIONS. THIS DRAWING IS THE PROPERTY OF BRR ARCHITECTURE INC. AND IS NOT TO BE REPRODUCED OR TRANSMITTED IN ANY FORM OR BY ANY MEANS, ELECTRONIC OR MECHANICAL, INCLUDING PHOTOCOPYING, RECORDING, OR BY ANY INFORMATION STORAGE AND RETRIEVAL SYSTEM, WITHOUT THE WRITTEN PERMISSION OF BRR ARCHITECTURE INC. THE SERVICES OF ARCHITECTS, ENGINEERS, AND OTHER PROFESSIONALS ARE NOT AUTHORIZED TO BE USED IN CONNECTION WITH THIS PROJECT WITHOUT THE WRITTEN PERMISSION OF BRR ARCHITECTURE INC.

ISSUES AND REVISIONS

NUMBER	DATE	DESCRIPTION
1	ISSUES	ORIGINAL ISSUES
2	ISSUES	ADDITIONAL 1
3	ISSUES	ADDITIONAL 2

SHEET NAME
FLOOR PLAN - LIGHTING
 SHEET NUMBER

E200

10/15/2025 12:59:35 PM

FLOOR PLAN NOTES

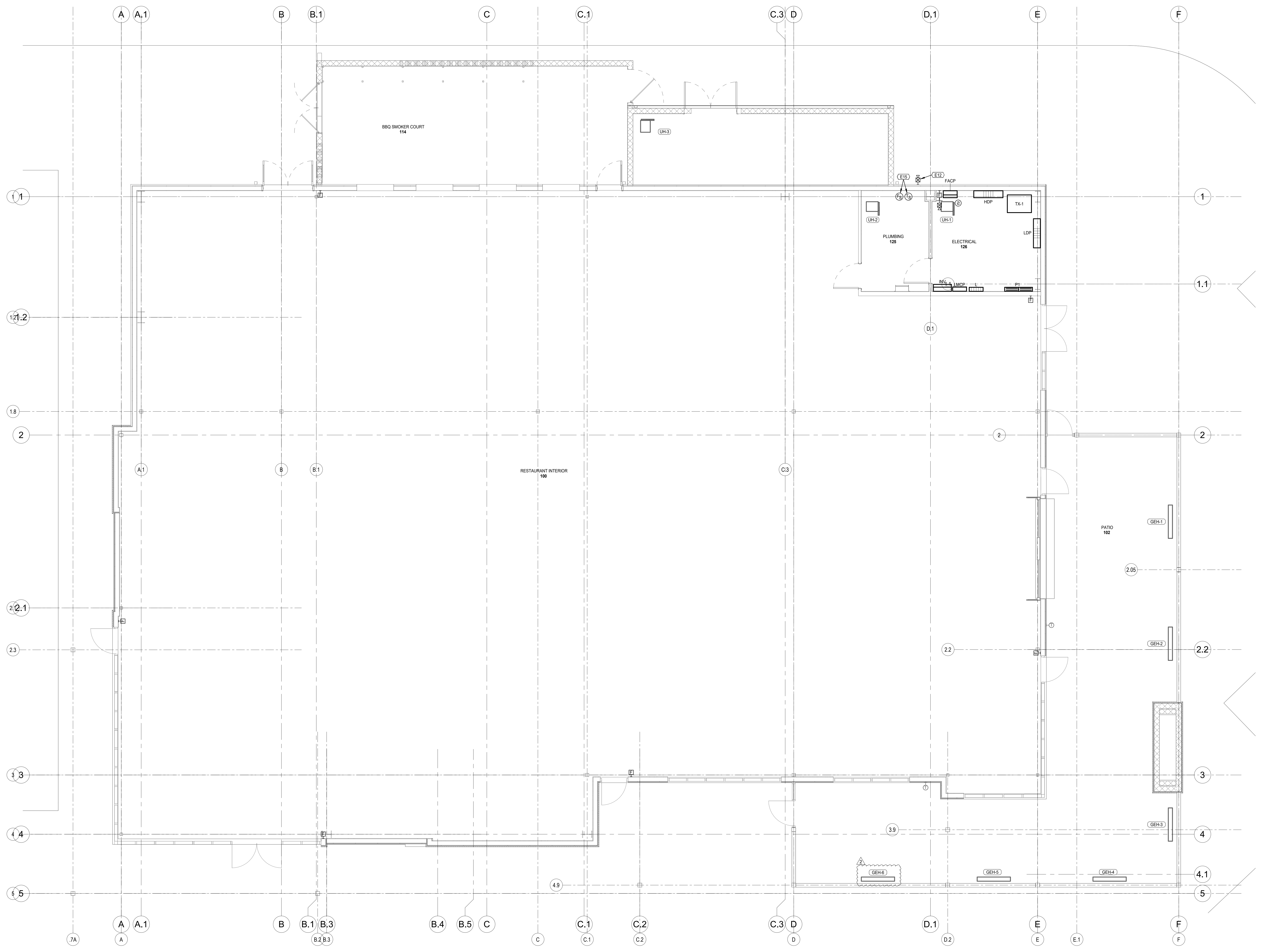
E12 PROVIDE WEATHERPROOF HORNSTROBE DEVICE ABOVE SIAMESE FIRE DEPARTMENT CONNECTION.
 E15 PROVIDE FIRE ALARM RELAY AND CONNECTIONS TO FIRE SPRINKLER FLOW AND TAMPER SWITCHES AS REQUIRED. COORDINATE QUANTITY AND LOCATIONS WITH FIRE SPRINKLER CONTRACTOR.

ARCHITECT OF RECORD
brr BRR ARCHITECTURE INC.
 618 METCALF AVENUE
 SUITE 200
 OVERLAND PARK, KS 66204
 WWW.BRRARCH.COM
 TEL: 913.263.9066
 FAX: 913.263.9044

CONSULTANT
Lankford + Fendler
 + associates
 1730 Walnut Street
 Kansas City, Missouri 64108
 TEL: 816.221.1411
 FAX: 816.221.1420
 PROJECT NO. 21-7074-00

CLIENT

PROJECT TITLE



Q39 (SHELL)
LEE'S SUMMIT, MO
 OLDHAM VILLAGE

PROJECT NUMBER: 62910099

PROJECT MANAGER:	DRAWN BY:	CHECKED BY:
Approver	Author	

PROFESSIONAL SEAL



COPYRIGHT NOTICE
 THIS DRAWING WAS PREPARED FOR USE ON A SPECIFIC SITE. CONTRACTORS SHALL VERIFY ALL DIMENSIONS AND CONDITIONS FOR USE ON A DIFFERENT PROJECT SITE OR AT A LATER TIME. USE OF THIS DRAWING FOR ANY OTHER PROJECT WITHOUT THE WRITTEN PERMISSION OF THE ARCHITECT IS PROHIBITED. THE SERVICES OF ARCHITECTS, ENGINEERS, ARCHITECTS AND ENGINEERS, REPRODUCED OR TRANSMITTED IN ANY FORM OR BY ANY MEANS, WITHOUT PERMISSION IN WRITING FROM THE ARCHITECT OF RECORD IS NOT AUTHORIZED AND MAY BE CONTRARY TO THE LAW.
 BRR DOES NOT GUARANTEE THAT CAD FILES ARE SUFFICIENT OR APPROPRIATE FOR USER'S PURPOSES. USER USES OR ALTERS THESE FILES AT USER'S SOLE RISK AND AGREES TO HOLD BRR HARMLESS FROM LIABILITY ARISING FROM USER'S USE.

ISSUES AND REVISIONS

NUMBER	DATE	DESCRIPTION
1	ISSUES	ISSUES
2	REVISIONS	REVISIONS
3	ISSUES	ISSUES

SHEET NAME
FLOOR PLAN - SYSTEMS
 SHEET NUMBER

E300

FLOOR PLAN NOTES

E18 PROVIDE DUCT DETECTORS IN SUPPLY AND RETURN DUCTS OF ROOFTOP HVAC EQUIPMENT. CONNECT TO FIRE ALARM SYSTEM AND PROVIDE CONTROL WIRING AS REQUIRED FOR EQUIPMENT SHUTDOWN.

ARCHITECT OF RECORD

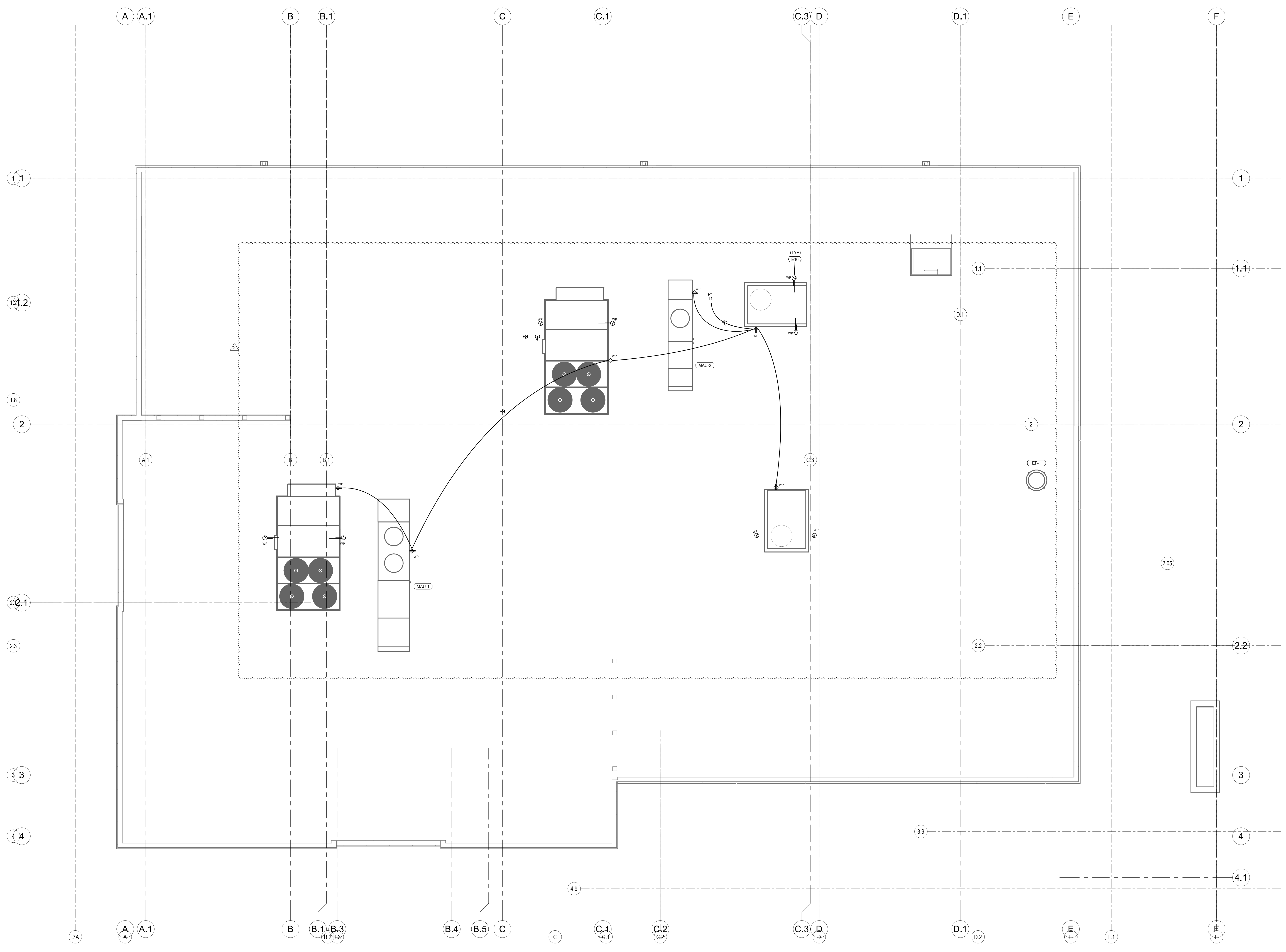
brr BRR ARCHITECTURE INC.
 818 METCALF AVENUE
 SUITE 200
 OVERLAND PARK, KS 66204
 WWW.BRRARCH.COM
 TEL: 913-283-8666
 FAX: 913-283-8444

CONSULTANT

Lankford + Fendler
 + associates
 1730 Walnut Street
 Kansas City, Missouri 64108
 Telephone: 816-234-2222
 Fax: 816-231-1270
 E-Mail: info@lankfordfendler.com

CLIENT

PROJECT TITLE



Q39 (SHELL)
LEE'S SUMMIT, MO
 OLDHAM VILLAGE

PROJECT NUMBER: 62910099

PROJECT MANAGER	DRAWN BY	CHECKED BY
Approver	Author	

PROFESSIONAL SEAL



COPYRIGHT NOTICE

THIS DRAWING WAS PREPARED FOR USE ON A SPECIFIC SITE. CONTRACTORS SHALL VERIFY ALL DIMENSIONS AND CONDITIONS PRIOR TO USE ON A DIFFERENT PROJECT SITE OR AT A LATER TIME. USE OF THIS DRAWING FOR ANY OTHER PROJECT WITHOUT THE WRITTEN CONSENT OF THE ARCHITECT OF RECORD IS STRICTLY PROHIBITED. THE SERVICES OF ARCHITECTS, ENGINEERS, ARCHITECTS AND ENGINEERS, REPRODUCED OR TRANSMITTED IN ANY FORM OR BY ANY MEANS, WITHOUT PERMISSION IN WRITING FROM THE ARCHITECT OF RECORD IS NOT AUTHORIZED AND MAY BE CONTRARY TO THE LAW.

BRR DOES NOT GUARANTEE THAT CAD FILES ARE SUFFICIENT OR APPROPRIATE FOR USER'S PURPOSES. USER USES OR ALTERS THESE FILES AT USER'S SOLE RISK AND AGREES TO ACCEPT FULL LIABILITY ARISING FROM USER'S USE.

ISSUES AND REVISIONS

NUMBER	DATE	ORIGINAL	ISSUE	DESCRIPTION
1		ISSUES	ADDITIONAL	
2		ISSUES	ADDITIONAL	

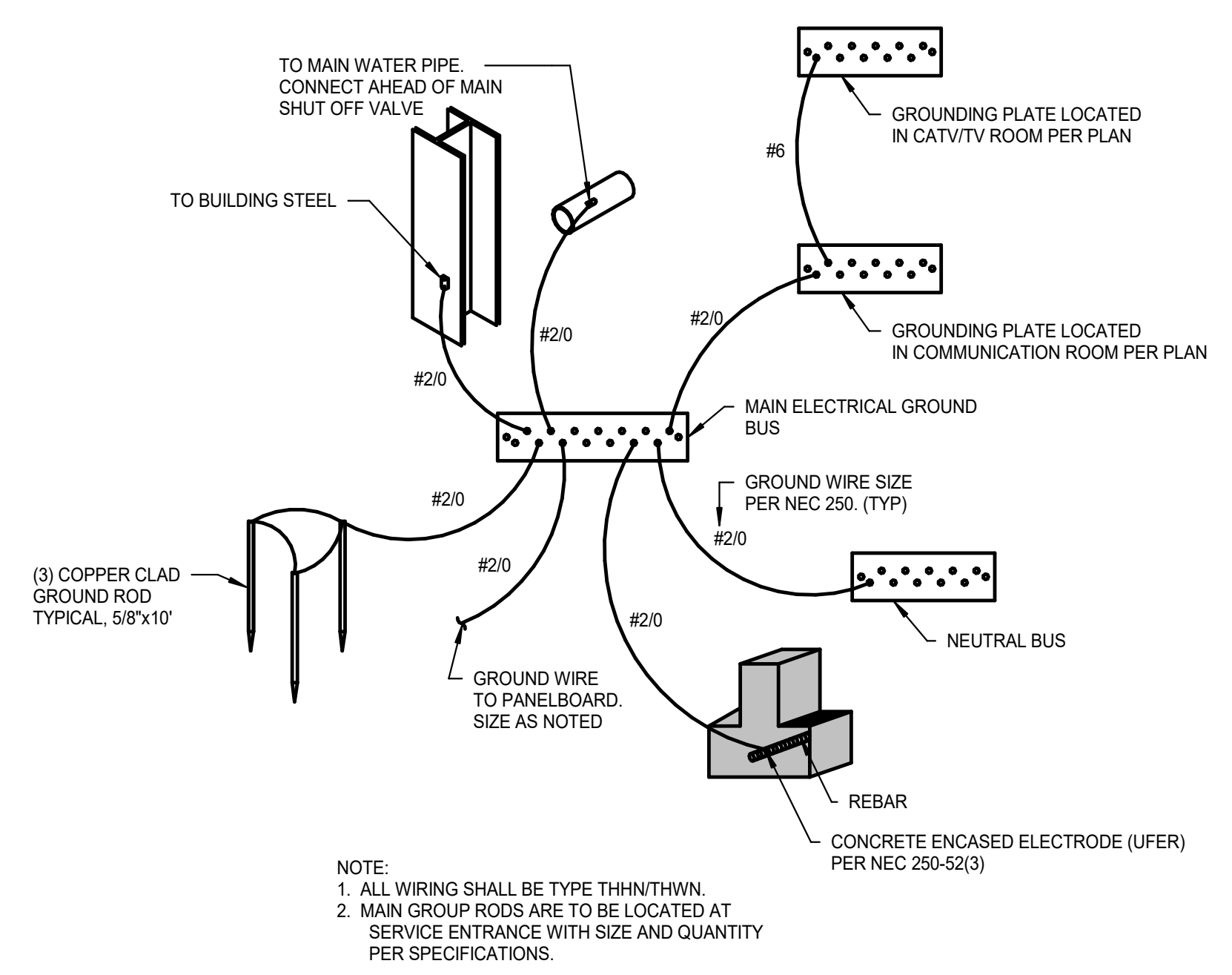
SHEET NAME

ROOF PLAN - ELECTRICAL

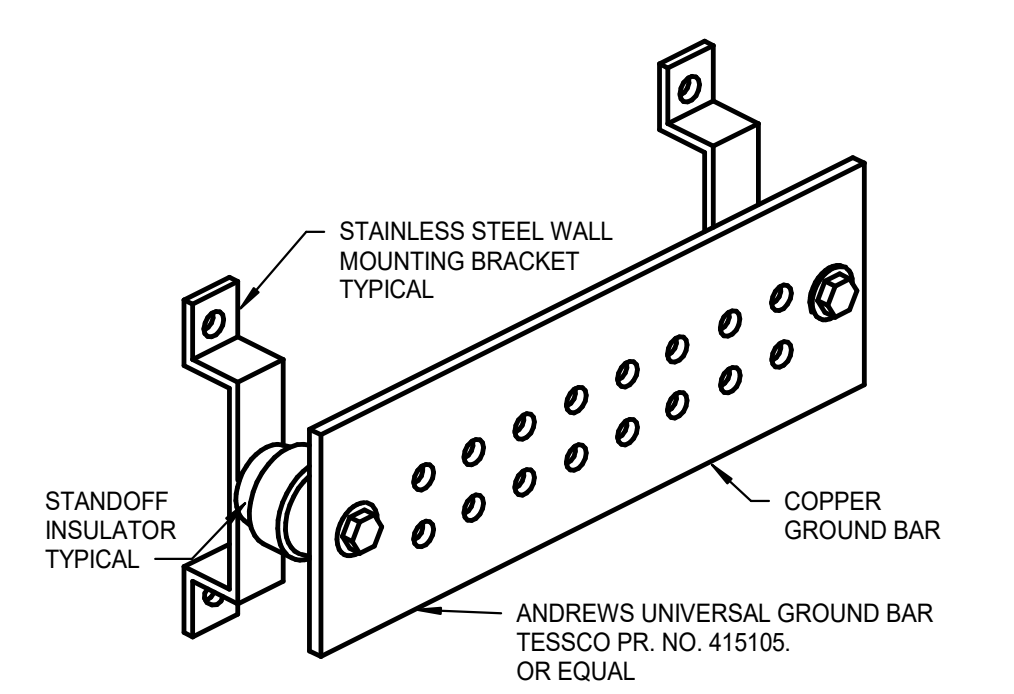
SHEET NUMBER

E400

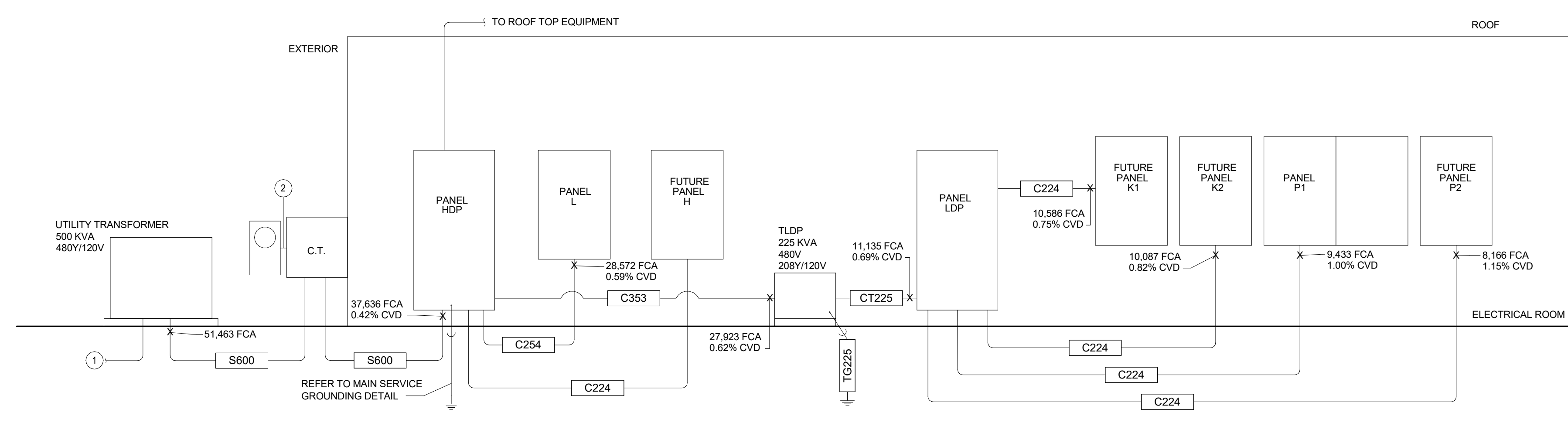
10/15/2025 12:59:38 PM



MAIN SERVICE ENTRANCE GROUNDING DETAIL
 NOT TO SCALE



MAIN TELECOMMUNICATIONS GROUND BAR DETAIL
 NOT TO SCALE



ELECTRICAL RISER DIAGRAM
 NOT TO SCALE

RISER NOTES

- PROVIDE 4" CONDUIT(S) FOR UTILITY PRIMARY AS REQUIRED BY THE UTILITY COMPANY. PRIMARY CONDUCTORS PROVIDED BY UTILITY. COORDINATE EXACT ROUTING WITH CIVIL AND UTILITY COMPANY.
- 1-1/4" CONDUIT.

FEEDER SCHEDULE - COPPER

CIRCUIT AMPS	TAG NAME	NUMBER SETS	3-WIRE W/ GROUND			4-WIRE W/ GROUND						
			PHASE / NEUTRAL CONDUCTORS	EQUIPMENT GROUND	CONDUIT SIZE	NEC SIZE EMT/PVC/RGS	TAG NAME	NUMBER SETS	PHASE / NEUTRAL CONDUCTORS	EQUIPMENT GROUND	CONDUIT SIZE	NEC SIZE EMT/PVC/RGS
225	C223	1	3 #10	#4	2"	2"1/2"	C224	1	4 #10	#4	2.5"	2.5"1/2"
250	C253	1	3 #250	#4	2.5"	2"1/2"	C254	1	4 #250	#4	2.5"	2.5"1/2"
350	C353	1	3 #500	#3	3.5"	2.5"1/2"	C354	1	4 #500	#3	3.5"	3"3/4"
700	CT225	3	4 #250	#20	3"	2.5"1/2"						
SERVICE ENTRANCE CONDUCTIONS												
600	S600	2	4 #350	-	4"	2.5"1/2"						
MISC FEEDER DESCRIPTIONS												
15000	1	N/A	#20	0.75"	0.75"10.75"10.75"	TRANSFORMER GROUND						

NOTES:
 1. SIZE BRANCH FEEDER AND CIRCUITS ACCORDING TO THE CIRCUIT BREAKER / FUSE SIZE AND THIS SCHEDULE. TAG NAME MAY BE USED AS AN ADDITIONAL REFERENCE.
 2. REFER TO THE SPECIFICATIONS AND GENERAL NOTES FOR MINIMUM CONDUIT SIZE REQUIREMENTS. MINIMUM SIZE REQUIRED MAY BE LARGER THAN SHOWN IN THIS SCHEDULE.
 3. CONDUCTOR SIZES ARE BASED UPON TYPE THHN/THWN CONDUCTORS WITH EMT OR SCHEDULE 40 PVC CONDUIT. VERIFY AND ADJUST CONDUIT SIZE AS REQUIRED FOR OTHER TYPES OF CONDUIT.
 4. CONDUCTOR SIZES ARE BASED UPON 100 FEET OR LESS IN LENGTH. IF ONE WAY CIRCUIT IS OVER 100 FEET, INCREASE FEEDER SIZES AS REQUIRED FOR VOLTAGE DROP.
 5. APPLY AMBIENT TEMPERATURE CORRECTION FACTORS AS REQUIRED BY THE NEC AND MODIFY FEEDER SIZES ACCORDINGLY.
 6. APPLY DERATING FACTORS FOR MORE THAN 3 CURRENT CARRYING CONDUCTORS IN A RACEWAY AS REQUIRED BY THE NEC AND MODIFY FEEDER SIZES ACCORDINGLY.

ELECTRICAL RISER DIAGRAM NOTE
 UTILITY TRANSFORMER DESIGN CRITERIA: 500 KVA, PAD MOUNT
 UTILITY TRANSFORMER SECONDARY VOLTAGE: 480V/120V, 3-PHASE, 4-WIRE
 UTILITY TRANSFORMER IMPEDANCE: 1.30% Z
 MAXIMUM AVAILABLE FAULT CURRENT AT UTILITY TRANSFORMER SECONDARY IS 51,463 AMPS. FAULT CURRENT WAS DETERMINED BASED ON THE MAXIMUM LET THROUGH CURRENT OF A TRANSFORMER WITH THE ABOVE CRITERIA.

Q39 (SHELL)
LEE'S SUMMIT, MO
 OLDHAM VILLAGE

PROJECT NUMBER: 62910099

PROJECT MANAGER	DRAWN BY	CHECKED BY
Approver	Author	

PROFESSIONAL SEAL



COPYRIGHT NOTICE
 THIS DRAWING WAS PREPARED FOR USE ON A SPECIFIC SITE. CONTRACTORS SHALL VERIFY ALL DIMENSIONS AND CONDITIONS BEFORE USE. THIS DRAWING IS THE PROPERTY OF BRR ARCHITECTURE INC. AND IS NOT TO BE REPRODUCED OR TRANSMITTED IN ANY FORM OR BY ANY MEANS, ELECTRONIC OR MECHANICAL, INCLUDING PHOTOCOPYING, RECORDING, OR BY ANY INFORMATION STORAGE AND RETRIEVAL SYSTEM, WITHOUT THE WRITTEN PERMISSION OF BRR ARCHITECTURE INC. BRR DOES NOT GUARANTEE THAT THIS DRAWING IS SUFFICIENT OR APPROPRIATE FOR USER'S PURPOSES. USER USES OR ALTERS THESE FILES AT USER'S SOLE RISK AND AGREES TO HOLD BRR ARCHITECTURE INC. HARMLESS FROM LIABILITY ARISING FROM USER'S USE.

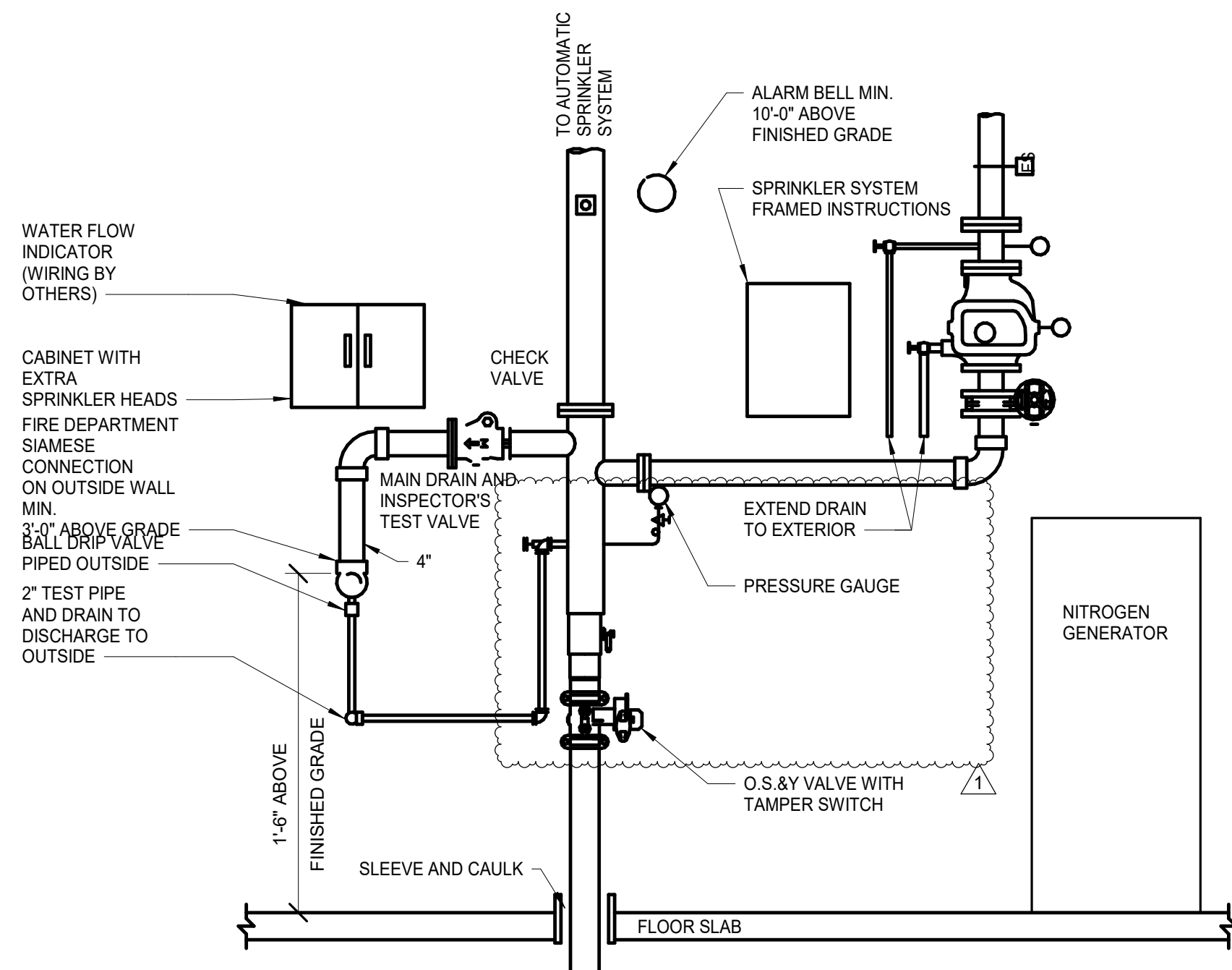
ISSUES AND REVISIONS

NUMBER	DATE	DESCRIPTION
1 <td></td> <td></td>		

SHEET NAME

ELECTRICAL DETAILS

SHEET NUMBER
E500



NOTE: ARRANGEMENT SHOWN IS SCHEMATIC. MODIFY TO SUIT ACTUAL CONDITIONS. NFPA AND LOCAL CODE REQUIREMENTS. COORDINATE ALARM SYSTEM WITH OTHER TRADES.

FIRE PROTECTION DESIGN CRITERIA

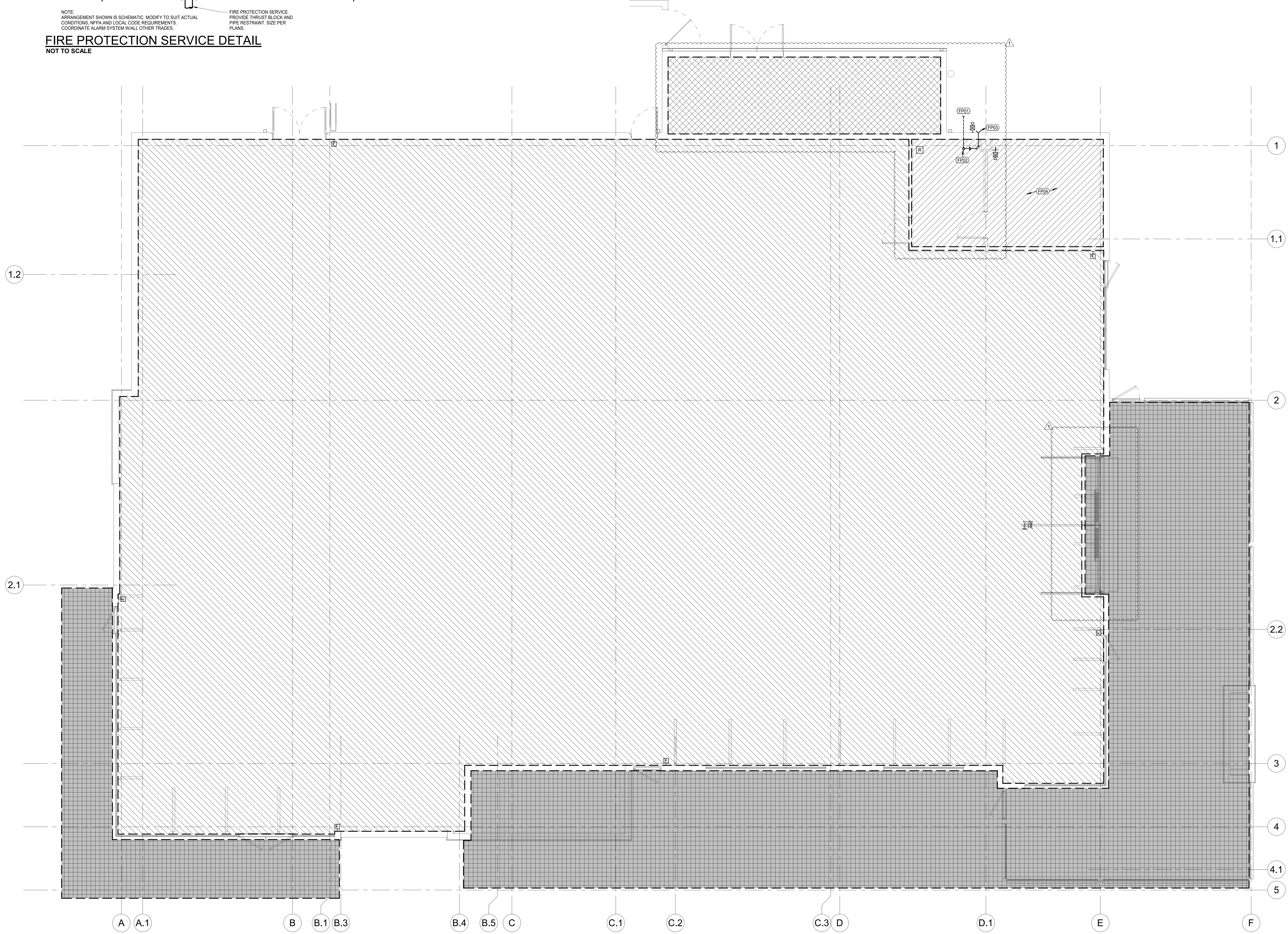
- A. PROVIDE A WET TYPE SPRINKLER SYSTEM THROUGHOUT BUILDING IN COMPLIANCE WITH THE RULES AND REGULATIONS OF APPLICABLE FEDERAL, STATE AND LOCAL LAWS, CODES AND ORDINANCES, THE OWNER'S INSURANCE COMPANY AND NFPA 13.
- B. FURNISH ALL MATERIALS, LABOR, TOOLS, TRANSPORTATION, INCIDENTALS AND APPURTENANCES TO COMPLETE IN EVERY DETAIL AND LEAVE IN WORKING ORDER ALL ITEMS OF WORK REQUIRED FOR STRICT COMPLIANCE WITH CODES AND STANDARDS.
- C. PROVIDE SCHEDULE 40 FOR 2" AND SMALLER WITH THREADED ENDS AND SCHEDULE 10 FOR 1-1/2" AND LARGER WITH ROLL-GROOVED ENDS AND GROOVED JOINTS. ALL PIPING IN AREAS WITH CEILINGS SHALL BE RUN CONCEALED WITH NO EXCEPTIONS UNLESS COORDINATED WITH ARCHITECT AND ENGINEER. PIPE SIZES SHOWN ON PLANS FOR INFORMATION ONLY. VERIFY BY HYDRAULIC CALCULATIONS.
- D. ALL SPRINKLERS IN LAY-IN CEILINGS ARE TO BE CENTERED ±1/2" IN 2'x2' PORTION OF TILE. ALL SPRINKLERS IN DROP-BOARD CEILINGS ARE TO BE CENTERED ±1/2" WITH LIGHT FIXTURES AND ALIGNED WITH ALL OTHER DEVICES IN CEILING IN BOTH DIRECTIONS. COORDINATE WITH ARCHITECT.
- E. FIRE PROTECTION CONTRACTOR SHALL PREPARE DETAILED AND COORDINATED SHOP DRAWINGS SO AS TO AVOID CONFLICTS IN THE FIELD. CONTRACTOR SHALL COORDINATE WITH REFLECTED CEILING PLAN, DUCTWORK, LAYOUT AND LIGHTING LAYOUT. ALL COORDINATION SHALL TAKE PLACE PRIOR TO INSTALLATION.
- F. CONTRACTOR SHALL FILE ALL DRAWINGS, PAY ALL FEES AND OBTAIN PERMITS AND CERTIFICATES OF INSPECTIONS RELATIVE TO THIS WORK.
- G. CONTRACTOR SHALL OBTAIN CURRENT FIRE HYDRANT FLOW TEST DATA AND USE FOR SYSTEM HYDRAULIC CALCULATIONS. USE DATA TO DESIGN SYSTEMS ACCORDINGLY BASED ON AVERAGE NUMBERS PLUS 10% SAFETY.
- H. PREPARE AND SUBMIT SHOP DRAWINGS, PRODUCT DATA AND HYDRAULIC CALCULATIONS AS REQUIRED. ALL INFORMATION SHOWN ON FIRE PROTECTION DRAWINGS SHALL BE INCLUDED ON THE SHOP DRAWINGS.
- I. CONTRACTOR TO BE RESPONSIBLE FOR MAKING FINAL COORDINATION WITH STRUCTURE AND ALL OTHER TRADES PRIOR TO SUBMITTING SHOP DRAWINGS. ALL ELEVATIONS OF PIPE MUST BE SHOWN ON SHOP DRAWINGS.
- J. ALL SPRINKLERS AND PIPING SHALL BE PROTECTED FROM FREEZING. USE DRY SIDEWALL SPRINKLERS OR DRY PIPE SYSTEM FOR VESTIBULES, ALCOVES, TRASH ENCLOSURES, CANOPIES, AND PORCHES.
- K. NFPA 13 - 2016 ED. 7.1.5 A SINGLE AIR VENT WITH A CONNECTION SHALL BE PROVIDED ON EACH WET PIPE SYSTEM. THE AIR VENT SHALL BE LOCATED NEAR A HIGH POINT IN THE SYSTEM TO ALLOW AIR TO BE REMOVED FROM THAT PORTION OF THE SYSTEM BY ONE OF THE FOLLOWING METHODS: MANUAL VALVE, MINIMUM 1/2" (13MM) SIZE, OR AUTOMATIC AIR VENT.
- L. PROVIDE AUXILIARY DRAINS AS REQUIRED BY NFPA 13. COORDINATE LOCATIONS WITH OWNER. AUXILIARY DRAINS MUST BE SHOWN ON SHOP DRAWINGS.
- M. PROVIDE AUXILIARY DRAINS AS REQUIRED BY NFPA 13. COORDINATE LOCATIONS WITH OWNER. AUXILIARY DRAINS MUST BE SHOWN ON SHOP DRAWINGS.
- N. SPRINKLER SYSTEM SHALL BE TESTED AND DRAINED PER NFPA STANDARDS AND LOCAL AND STATE AUTHORITY HAVING JURISDICTION COMPLETED CONTRACTOR MATERIAL TEST CERTIFICATES SHALL BE FORWARDED TO OWNER.
- O. FIRE SPRINKLER CONTRACTOR IS RESPONSIBLE FOR COORDINATION WITH FIRE ALARM PANEL AND SUPERVISION OF NEW SPRINKLER TAMPERS AND FLOW SWITCHES.
- P. REFER TO SPECIFICATIONS FOR ADDITIONAL INFORMATION.
- Q. SPRINKLER HEAD PLACEMENT SHALL BE OUT OF THE SWING AREA OF DOORS TO AVOID CONFLICT WITH TALL DOORS.

FIRE PROTECTION LEGEND

- PROVIDE PROPER COVERAGE PER PPA 13 AND LOCAL AUTHORITIES. REFER TO REFLECTED CEILING PLANS FOR COORDINATION WITH LIGHTS, DIFFUSERS, EXIT SIGNS, ETC.
- LIGHT HAZARD - PROVIDE PROPER COVERAGE PER NFPA 13 (0.1 GPM PER 1500 SF) PLUS 100 GPM HOSE STREAM ALLOWANCE.
- ORDINARY HAZARD GROUP 1 - PROVIDE PROPER COVERAGE PER NFPA 13 (0.15 GPM PER 1500 SF) PLUS 250 GPM HOSE STREAM ALLOWANCE.
- ORDINARY HAZARD GROUP 2 - PROVIDE PROPER COVERAGE PER NFPA 13 (0.2 GPM PER 1500 SF) PLUS 250 GPM HOSE STREAM ALLOWANCE.
- ORDINARY HAZARD GROUP 3 - PROVIDE DRY PENDENT SPRINKLERS FOR ALL WALK-IN COOLERS AND FREEZERS.
- LIGHT HAZARD - PROVIDE PROPER COVERAGE PER NFPA 13 (0.1 GPM PER 1500 SF) PLUS 100 GPM HOSE STREAM ALLOWANCE. PROVIDE DRY PENDENT CONSOLE-TYPE SPRINKLERS FROM DRY PIPE SYSTEM WITH NITROGEN GENERATOR.

FLOOR PLAN NOTES

- FP01 6" UNDERGROUND FIRE LINE TO BUILDING. CONNECT FIVE FEET FROM BUILDING EXTERIOR WALL. SLEEVE EXTERIOR WALL AND PROVIDE THRUST PROTECTION PER NFPA 13.
- FP02 6" INCH SPRINKLER RISER, FLOW AND TAMPERS SWITCHES, 2" INCH MAIN DRAIN EXTENDED TO OUTSIDE.
- FP03 SIAMENSE FIRE DEPARTMENT CONNECTION. PROVIDE HOHNSTRÖBE ABOVE.
- FP04 DO NOT RUN SPRINKLER PIPING OVER ELECTRICAL EQUIPMENT. MAINTAIN 3" CLEARANCE IN FRONT OF PANELS.



ARCHITECT OF RECORD

brr BRR ARCHITECTURE INC.
518 WESTLAKE AVENUE
SUITE 200
OVERLAND PARK, KS 66204
WWW.BRRARCH.COM
TEL: 913.263.8602
FAX: 913.263.8644

CONSULTANT

Lankford + associates
1730 Walnut Street
Kansas City, Missouri 64108
Tel: 816.221.1411
Fax: 816.221.1420
www.lankfordassociates.com

CLIENT

PROJECT TITLE

Q39 (SHELL)
LEE'S SUMMIT, MO
OLDHAM VILLAGE

PROJECT NUMBER	62910099
PROJECT MANAGER	DRAWN BY
Approver	Author
CHECKED BY	



COPYRIGHT NOTICE

THIS DRAWING WAS PREPARED FOR USE ON A SPECIFIC SITE. IT IS THE PROPERTY OF BRR ARCHITECTURE INC. AND IS NOT TO BE REPRODUCED, COPIED, OR TRANSMITTED IN ANY FORM OR BY ANY MEANS, ELECTRONIC OR MECHANICAL, INCLUDING PHOTOCOPYING, RECORDING, OR BY ANY INFORMATION STORAGE AND RETRIEVAL SYSTEM, WITHOUT THE WRITTEN PERMISSION OF BRR ARCHITECTURE INC. THE SERVICES OF BRR ARCHITECTURE INC. AND ENGINEERS ARE NOT TO BE USED FOR ANY OTHER PROJECT WITHOUT THE WRITTEN PERMISSION OF BRR ARCHITECTURE INC. ANY REPRODUCTION OR USE OF THIS DRAWING FOR ANY OTHER PROJECT IS NOT AUTHORIZED AND MAY BE CONTRARY TO THE LAW.

BRR DOES NOT GUARANTEE THAT CAD FILES ARE SUFFICIENT OR APPROPRIATE FOR USER'S PURPOSES. USER USES OR ALTERS THESE FILES AT USER'S SOLE RISK AND AGREES TO ACCEPT FULL LIABILITY ARISING FROM USER'S USE.

ISSUES AND REVISIONS

NUMBER	DATE	DESCRIPTION
1	ISSUES	
1	REVISED	ADDENDUM 1

SHEET NAME

FLOOR PLAN - FIRE PROTECTION

SHEET NUMBER

FP100